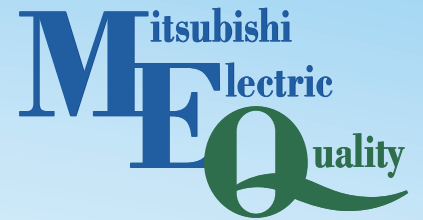


Changes for the Better

AIR TO WATER HEAT PUMP SYSTEMS



ecodan

Renewable Heating Technology

DATA BOOK

Vol.5.7

R32

Contents

Outdoor unit A-1

Outdoor unit

**Cylinder unit
Hydrobox
Ground Source Heat Pump B-1**

Cylinder unit /
Hydrobox / GSHP

Flow temp. controller C-1

Flow temp.
controller

Optional parts D-1

Optional parts

When installing or relocating, or servicing the heat pump, use only the specified refrigerant (R32) to charge the refrigerant lines. Do not mix it with any other refrigerant and do not allow air to remain in the lines. If air is mixed with the refrigerant, then it can be the cause of abnormal high pressure in the refrigerant line, and may result in an explosion and other hazards. The use of any refrigerant other than that specified for the system will cause mechanical failure or system malfunction or unit breakdown. In the worst case, this could lead to a serious impediment to securing product safety.

1	Specifications	A-2
	1.1 Outdoor unit specifications.....	A-2
	1.2 Capacity	A-20
	1.3 Maximum outlet water temperature	A-36
	1.4 Available range (Water flow rate, return water temp.)....	A-39
2	Outlines and dimensions	A-49
3	Wiring diagrams.....	A-58
4	Refrigerant system diagrams	A-71
5	Performance data	A-77
	5.1 Cooling performance data.....	A-77
	5.2 Heating performance data	A-82
	5.3 Part load chart.....	A-98
	5.4 Best COP	A-127
	5.5 Correcting capacity for changes in the length of refrigerant piping	A-129
6	Noise criterion curves	A-134
7	Estimated noise level based on the distance from Outdoor unit	A-141
8	Earthquake-proof strength analysis	A-145
9	Error code table	A-165
10	Installation location	A-166

1.1 Outdoor unit specifications

(1) Packaged-type units

MODEL NAME			PUZ-WM50VHA(-BS)	PUZ-WM60VAA(-BS)	
POWER SUPPLY(Phase, voltage, frequency)			1φ, 230 V, 50 Hz	1φ, 230 V, 50 Hz	
	Max. Current	A	13.0	13.0	
Braker size			16	16	
Outer casing			Galvanized plate	Galvanized plate	
External finish			Munsell N8.75, N2.75 (FRONT PANEL)	Munsell N8.75, N2.75 (FRONT PANEL)	
Refrigerant control			Linear expansion valve	Linear expansion valve	
Compressor			Hermetic twin rotary	Hermetic twin rotary	
	Model		SVB130FBBMC-L3	SVB220FEGMC-L1	
	Motor output	kW	0.9	1.5	
	Start type		Inverter	Inverter	
	Protection devices		HP switch Discharge thermo Comp. Surface thermo Over current detection	HP switch Discharge thermo Comp. Surface thermo Over current detection	
	Oil (Model)	L	0.6 (FW68S)	0.6 (FW68S)	
Crankcase heater			-	-	
Heat exchanger	Air		Plate fin coil	Plate fin coil	
	Water		Plate heat exchanger	Plate heat exchanger	
Fan	Fan(drive) x No.		Propeller fan ×1	Propeller fan ×1	
	Fan motor output	kW	0.074	0.074	
	Air flow	m ³ /min (CFM)	36 (1270)	44 (1550)	
Defrost method			Reverse cycle	Reverse cycle	
Noise level (SPL)	Heating	dB	52	45	
	Cooling	dB	52	45	
Noise level (PWL)	Heating	dB	61	58	
Dimensions	Width	mm(in)	950 (37-3/8)	1050 (41-5/16)	
	Depth	mm(in)	330+30 (13-1-3/16)	480 (18-7/8)	
	Height	mm(in)	943 (37-1/8)	1020 (40-3/16)	
Weight		kg(lbs)	71 (157)	98 (216)	
Refrigerant			R32	R32	
	Chargeless	kg	2.0 (4.4)	2.2 (4.9)	
	MAX.	kg	-	-	
Pipe size O.D.	Liquid	mm(in)	-	-	
	Gas	mm(in)	-	-	
Connection method			Water Connect	Water Connect	
Between the indoor & outdoor unit	Height difference	m	-	-	
	Piping length	m	-	-	
Guaranteed operating range (Outdoor)	Heating	°C	-20 to +24	-20 to +24	
	DHW	°C	-20 to +35	-20 to +35	
	Cooling	°C	+10 to +46	+10 to +46	
Outlet water temp. (Max in Heating, Min in Cooling)	Heating	°C	+60	+60	
	Cooling	°C	+5	+5	
Nominal return water temperature range	Heating	°C	+9 to +59	+9 to +59	
	Cooling	°C	+8 to +28	+8 to +28	
Water Flow rate range			L/min	6.5 to 14.3	8.6 to 17.2

MODEL NAME			PUZ-WM85VAA(-BS)	PUZ-WM85YAA(-BS)
POWER SUPPLY(Phase, voltage, frequency)			1φ, 230 V, 50 Hz	3φ, 400 V, 50 Hz
	Max. Current	A	22.0	11.5
Braker size			25	16
Outer casing			Galvanized plate	Galvanized plate
External finish			Munsell N8.75, N2.75 (FRONT PANEL)	Munsell N8.75, N2.75 (FRONT PANEL)
Refrigerant control			Linear expansion valve	Linear expansion valve
Compressor			Hermetic twin rotary	Hermetic twin rotary
	Model		SVB220FEGMC-L1	SVB220FEAMC-L1
	Motor output	kW	1.5	1.5
	Start type		Inverter	Inverter
	Protection devices		HP switch Discharge thermo Comp. Surface thermo Over current detection	HP switch Discharge thermo Comp. Surface thermo Over current detection
	Oil (Model)	L	0.6 (FW68S)	0.6 (FW68S)
Crankcase heater			-	-
Heat exchanger		Air	Plate fin coil	Plate fin coil
		Water	Plate heat exchanger	Plate heat exchanger
Fan	Fan(drive) x No.		Propeller fan ×1	Propeller fan ×1
	Fan motor output	kW	0.074	0.074
	Air flow	m ³ /min (CFM)	44 (1550)	44 (1550)
Defrost method			Reverse cycle	Reverse cycle
Noise level (SPL)	Heating	dB	45	45
	Cooling	dB	45	45
Noise level (PWL)	Heating	dB	58	58
Dimensions	Width	mm(in)	1050 (41-5/16)	1050 (41-5/16)
	Depth	mm(in)	480 (18-7/8)	480 (18-7/8)
	Height	mm(in)	1020 (40-3/16)	1020 (40-3/16)
Weight		kg(lbs)	98 (216)	111 (245)
Refrigerant			R32	R32
	Chargeless	kg	2.2 (4.9)	2.2 (4.9)
	MAX.	kg	-	-
Pipe size O.D.	Liquid	mm(in)	-	-
	Gas	mm(in)	-	-
Connection method			Water Connect	Water Connect
Between the indoor & outdoor unit	Height difference	m	-	-
	Piping length	m	-	-
Guaranteed operating range (Outdoor)	Heating	°C	-20 to +24	-20 to +24
	DHW	°C	-20 to +35	-20 to +35
	Cooling	°C	+10 to +46	+10 to +46
Outlet water temp. (Max in Heating, Min in Cooling)	Heating	°C	+60	+60
	Cooling	°C	+5	+5
Nominal return water temperature range	Heating	°C	+9 to +59	+9 to +59
	Cooling	°C	+8 to +28	+8 to +28
Water Flow rate range		L/min	10.8 to 24.4	10.8 to 24.4

Outdoor unit

MODEL NAME			PUZ-WM112VAA(-BS)	PUZ-WM112YAA(-BS)
POWER SUPPLY(Phase, voltage, frequency)			1φ, 230 V, 50 Hz	3φ, 400 V, 50 Hz
	Max. Current	A	28.0	13.0
Braker size			32	16
Outer casing			Galvanized plate	Galvanized plate
External finish			Munsell N8.75, N2.75 (FRONT PANEL)	Munsell N8.75, N2.75 (FRONT PANEL)
Refrigerant control			Linear expansion valve	Linear expansion valve
Compressor			Hermetic scroll	Hermetic scroll
	Model		DVB28FBAMT	DVB28FBBMT
	Motor output	kW	2.2	2.2
	Start type		Inverter	Inverter
	Protection devices		HP switch Discharge thermo Comp. Surface thermo Over current detection	HP switch Discharge thermo Comp. Surface thermo Over current detection
	Oil (Model)	L	0.9 (FW68S)	0.9 (FW68S)
Crankcase heater			-	-
Heat exchanger	Air		Plate fin coil	Plate fin coil
	Water		Plate heat exchanger	Plate heat exchanger
Fan	Fan(drive) x No.		Propeller fan ×1	Propeller fan ×1
	Fan motor output	kW	0.200	0.200
	Air flow	m ³ /min (CFM)	50 (1760)	50 (1760)
Defrost method			Reverse cycle	Reverse cycle
Noise level (SPL)	Heating	dB	47	47
	Cooling	dB	49	49
Noise level (PWL)	Heating	dB	60	60
Dimensions	Width	mm(in)	1050 (41-5/16)	1050 (41-5/16)
	Depth	mm(in)	480 (18-7/8)	480 (18-7/8)
	Height	mm(in)	1020 (40-3/16)	1020 (40-3/16)
Weight		kg(lbs)	119 (262)	132 (291)
Refrigerant			R32	R32
	Chargeless	kg	3.0 (6.7)	3.0 (6.7)
	MAX.	kg	-	-
Pipe size O.D.	Liquid	mm(in)	-	-
	Gas	mm(in)	-	-
Connection method			Water Connect	Water Connect
Between the indoor & outdoor unit	Height difference	m	-	-
	Piping length	m	-	-
Guaranteed operating range (Outdoor)	Heating	°C	-25 to +24	-25 to +24
	DHW	°C	-25 to +35	-25 to +35
	Cooling	°C	+10 to +46	+10 to +46
Outlet water temp. (Max in Heating, Min in Cooling)	Heating	°C	+60	+60
	Cooling	°C	+5	+5
Nominal return water temperature range	Heating	°C	+9 to +59	+9 to +59
	Cooling	°C	+8 to +28	+8 to +28
Water Flow rate range			L/min	14.4 to 32.1

MODEL NAME			PUZ-HWM140VHA(-BS)	PUZ-HWM140YHA(-BS)
POWER SUPPLY(Phase, voltage, frequency)			1φ, 230V, 50Hz	3φ, 400V, 50Hz
	Max. Current	A	35.0	13.0
Braker size			40	16
Outer casing			Galvanized plate	Galvanized plate
External finish			Munsell: N8.75, 3Y 7.8/1.1	Munsell: N8.75, 3Y 7.8/1.1
Refrigerant control			Linear expansion valve	Linear expansion valve
Compressor			Hermetic scroll	Hermetic scroll
	Model		AVB36FJDMT	AVB36FJCMT
	Motor output	kW	3.67	3.75
	Start type		Inverter	Inverter
	Protection devices		HP switch Discharge thermo Comp. Surface thermo Over current detection	HP switch Discharge thermo Comp. Surface thermo Over current detection
	Oil (Model)	L	1.4 (FW68S)	1.4 (FW68S)
Crankcase heater			-	-
Heat exchanger		Air	Plate fin coil	Plate fin coil
		Water	Plate heat exchanger	Plate heat exchanger
Fan	Fan(drive) x No.		Propeller fan ×2	Propeller fan ×2
	Fan motor output	kW	0.074 ×2	0.074 ×2
	Air flow	m ³ /min (CFM)	100 (3530)	100 (3530)
Defrost method			Reverse cycle	Reverse cycle
Noise level (SPL)	Heating	dB	53	53
	Cooling	dB	53	53
Noise level (PWL)	Heating	dB	67	67
Dimensions	Width	mm(in)	1020 (40-3/16)	1020 (40-3/16)
	Depth	mm(in)	330+30 (13-1-3/16)	330+30 (13-1-3/16)
	Height	mm(in)	1350 (53-1/8)	1350 (53-1/8)
Weight		kg(lbs)	132 (291)	143 (315)
Refrigerant			R32	R32
	Chargeless	kg	3.3 (7.3)	3.3 (7.3)
	MAX.	kg	-	-
Pipe size O.D.	Liquid	mm(in)	-	-
	Gas	mm(in)	-	-
Connection method			Water Connect	Water Connect
Between the indoor & outdoor unit	Height difference	m	-	-
	Piping length	m	-	-
Guaranteed operating range (Outdoor)	Heating	°C	-28 to +21	-28 to +21
	DHW	°C	-28 to +35	-28 to +35
	Cooling	°C	+10 to +46	+10 to +46
Outlet water temp. (Max in Heating, Min in Cooling)	Heating	°C	+60	+60
	Cooling	°C	+5	+5
Nominal return water temperature range	Heating	°C	+9 to +59	+9 to +59
	Cooling	°C	+8 to +28	+8 to +28
Water Flow rate range		L/min	17.9 to 40.1	17.9 to 40.1

(2) Split-type units

MODEL NAME			SUZ-SWM40VA	SUZ-SWM60VA	SUZ-SWM80VA
POWER SUPPLY(Phase, voltage, frequency)			1φ, 230 V, 50 Hz	1φ, 230 V, 50 Hz	1φ, 230 V, 50 Hz
	Max. Current	A	13.9	13.9	13.9
Braker size		A	16	16	16
Outer casing			Galvanized plate	Galvanized plate	Galvanized plate
External finish			Munsell 3Y 7.8/1.1	Munsell 3Y 7.8/1.1	Munsell 3Y 7.8/1.1
Refrigerant control			Linear expansion valve	Linear expansion valve	Linear expansion valve
Compressor			Hermetic twin rotary	Hermetic twin rotary	Hermetic twin rotary
	Model		SVB130FBBMT	SVB172FCKMT	SVB172FCKMT
	Motor output	kW	0.9	1.2	1.2
	Start type		Inverter	Inverter	Inverter
	Protection devices		Discharge thermo Over current High pressure cut (Indoor unit)	Discharge thermo Over current High pressure cut (Indoor unit)	Discharge thermo Over current High pressure cut (Indoor unit)
	Oil (Model)	L	0.35 (FW68S)	0.4 (FW68S)	0.4 (FW68S)
Crankcase heater			-	-	-
Heat exchanger	Air		Plate fin coil	Plate fin coil	Plate fin coil
	Water		Plate heat exchanger	Plate heat exchanger	Plate heat exchanger
Fan	Fan(drive) x No.		Propeller fan ×1	Propeller fan ×1	Propeller fan ×1
	Fan motor output	kW	0.060	0.060	0.060
	Air flow	m ³ /min (CFM)	34.5 (1217)	34.5 (1217)	36.4 (1285)
Defrost method			Reverse cycle	Reverse cycle	Reverse cycle
Noise level (SPL)	Heating	dB	44	45	46
	Cooling	dB	49	49	49
Noise level (PWL)	Heating	dB	58	60	62
Dimensions	Width	mm(in)	840 (33-1/16)	840 (33-1/16)	840 (33-1/16)
	Depth	mm(in)	330 (13)	330 (13)	330 (13)
	Height	mm(in)	880 (34-5/8)	880 (34-5/8)	880 (34-5/8)
Weight		kg(lbs)	54 (119)	54 (119)	54 (119)
Refrigerant			R32	R32	R32
	Chargeless	kg	1.2 (2.6)	1.2 (2.6)	1.2 (2.6)
	MAX.	kg	1.6 (3.5)	1.6 (3.5)	1.6 (3.5)
Pipe size O.D.	Liquid	mm(in)	6.35 (1/4)	6.35 (1/4)	6.35 (1/4)
	Gas	mm(in)	12.7 (1/2)	12.7 (1/2)	12.7 (1/2)
Connection method			Flared	Flared	Flared
Between the indoor & outdoor unit	Height difference	m	Max. 30	Max. 30	Max. 30
	Piping length	m	5 to 30	5 to 30	5 to 30
Guaranteed operating range (Outdoor)	Heating	°C	-20 to +24	-20 to +24	-20 to +24
	DHW	°C	-20 to +35	-20 to +35	-20 to +35
	Cooling	°C	+10 to +46	+10 to +46	+10 to +46
Outlet water temp. (Max in Heating, Min in Cooling)	Heating	°C	+60	+60	+60
	Cooling	°C	+5	+5	+5
Nominal return water temperature range	Heating	°C	+5 to +54	+5 to +54	+5 to +54
	Cooling	°C	+8 to +28	+8 to +28	+8 to +28
Water Flow rate range		L/min	6.5 to 11.4	7.2 to 17.2	7.8 to 21.5

MODEL NAME			SUZ-SWM30VA	SUZ-SHWM30VAH	SUZ-SWM40VA2(-SC)
POWER SUPPLY(Phase, voltage, frequency)			1φ, 230 V, 50 Hz	1φ, 230 V, 50 Hz	1φ, 230 V, 50 Hz
	Max. Current	A	13.5	13.5	13.5
Braker size		A	16	16	16
Outer casing			Galvanized plate	Galvanized plate	Galvanized plate
External finish			Munsell 3Y 7.8/1.1	Munsell 3Y 7.8/1.1	Munsell 3Y 7.8/1.1
Refrigerant control			Linear expansion valve	Linear expansion valve	Linear expansion valve
Compressor			Hermetic twin rotary	Hermetic twin rotary	Hermetic twin rotary
	Model		SVB130FPBM1T	SVB130FPBM1T	SVB130FPBM1T
	Motor output	kW	0.9	0.9	0.9
	Start type		Inverter	Inverter	Inverter
	Protection devices		Discharge thermo Over current Thermal Protector High pressure cut (Indoor unit)	Discharge thermo Over current Thermal Protector High pressure cut (Indoor unit)	Discharge thermo Over current Thermal Protector High pressure cut (Indoor unit)
	Oil (Model)	L	0.6 (FW68CA)	0.6 (FW68CA)	0.6 (FW68CA)
Base heater	Input	kW	-	0.060	-
Heat exchanger	Air		Plate fin coil	Plate fin coil	Plate fin coil
	Water		Plate heat exchanger	Plate heat exchanger	Plate heat exchanger
Fan	Fan(drive) x No.		Propeller fan ×1	Propeller fan ×1	Propeller fan ×1
	Fan motor output	kW	0.050	0.050	0.050
	Air flow	m ³ /min (CFM)	28.0 (989)	28.0 (989)	28.0 (989)
Defrost method			Reverse cycle	Reverse cycle	Reverse cycle
Noise level (SPL)	Heating	dB	43	43	43
	Cooling	dB	45	45	46
Noise level (PWL)	Heating	dB	57	57	57
Dimensions	Width	mm(in)	714 (28-1/8)	714 (28-1/8)	714 (28-1/8)
	Depth	mm(in)	285 (11-1/4)	285 (11-1/4)	285 (11-1/4)
	Height	mm(in)	800 (31-1/2)	800 (31-1/2)	800 (31-1/2)
Weight		kg(lbs)	39 (86)	39.5 (87)	39 (86)
Refrigerant			R32	R32	R32
	Chargeless	kg	0.8 (1.8)	0.8 (1.8)	0.8 (1.8)
	MAX.	kg	1.3 (2.9)	1.3 (2.9)	1.3 (2.9)
Pipe size O.D.	Liquid	mm(in)	6.35 (1/4)	6.35 (1/4)	6.35 (1/4)
	Gas	mm(in)	12.7 (1/2)	12.7 (1/2)	12.7 (1/2)
Connection method			Flared	Flared	Flared
Between the indoor & outdoor unit	Height difference	m	Max. 26	Max. 26	Max. 26
	Piping length	m	2 to 26	2 to 26	2 to 26
Guaranteed operating range (Outdoor)	Heating	°C	-25 to +24	-25 to +24	-25 to +24
	DHW	°C	-25 to +35	-25 to +35	-25 to +35
	Cooling	°C	+10 to +46	+10 to +46	+10 to +46
Outlet water temp. (Max in Heating, Min in Cooling)	Heating	°C	+60	+60	+60
	Cooling	°C	+5	+5	+5
Nominal return water temperature range	Heating	°C	Due to the water quantity of system. See the graph of Section "1.4 Available range (2) Split-type units".		
	Cooling	°C			
Water Flow rate range		L/min	6.5 to 11.4	6.5 to 11.4	6.5 to 11.4

MODEL NAME			SUZ-SHWM40VAH(-SC)	SUZ-SWM60VA2(-SC)	SUZ-SHWM60VAH(-SC)
POWER SUPPLY(Phase, voltage, frequency)			1φ, 230 V, 50 Hz	1φ, 230 V, 50 Hz	1φ, 230 V, 50 Hz
	Max. Current	A	13.5	13.5	17.3
Braker size		A	16	16	20
Outer casing			Galvanized plate	Galvanized plate	Galvanized plate
External finish			Munsell 3Y 7.8/1.1	Munsell 3Y 7.8/1.1	Munsell 3Y 7.8/1.1
Refrigerant control			Linear expansion valve	Linear expansion valve	Linear expansion valve
Compressor			Hermetic twin rotary	Hermetic twin rotary	Hermetic twin rotary
	Model		SVB172FPKM1T	SVB172FPKM1T	SVB220FUAM2T
	Motor output	kW	1.2	1.2	1.5
	Start type		Inverter	Inverter	Inverter
	Protection devices		Discharge thermo Over current Thermal Protector High pressure cut (Indoor unit)	Discharge thermo Over current Thermal Protector High pressure cut (Indoor unit)	Discharge thermo Over current Thermal Protector High pressure cut (Indoor unit)
	Oil (Model)	L	0.6 (FW68CA)	0.6 (FW68CA)	0.6 (FW68CA)
Base heater	Input	kW	0.060	-	0.120
Heat exchanger	Air		Plate fin coil	Plate fin coil	Plate fin coil
	Water		Plate heat exchanger	Plate heat exchanger	Plate heat exchanger
Fan	Fan(drive) x No.		Propeller fan ×1	Propeller fan ×1	Propeller fan ×1
	Fan motor output	kW	0.050	0.050	0.050
	Air flow	m ³ /min (CFM)	30.2 (1065)	30.2 (1065)	41.7 (1471)
Defrost method			Reverse cycle	Reverse cycle	Reverse cycle
Noise level (SPL)	Heating	dB	44	45	45
	Cooling	dB	47	47	47
Noise level (PWL)	Heating	dB	58	60	60
Dimensions	Width	mm(in)	714 (28-1/8)	714 (28-1/8)	840 (33-1/16)
	Depth	mm(in)	285 (11-1/4)	285 (11-1/4)	330 (13)
	Height	mm(in)	800 (31-1/2)	800 (31-1/2)	880 (34-5/8)
Weight		kg(lbs)	40 (88)	40 (88)	53.5 (118)
Refrigerant			R32	R32	R32
	Chargeless	kg	0.8 (1.8)	0.8 (1.8)	1.1 (2.4)
	MAX.	kg	1.3 (2.9)	1.3 (2.9)	1.7 (3.7)
Pipe size O.D.	Liquid	mm(in)	6.35 (1/4)	6.35 (1/4)	6.35 (1/4)
	Gas	mm(in)	12.7 (1/2)	12.7 (1/2)	12.7 (1/2)
Connection method			Flared	Flared	Flared
Between the indoor & outdoor unit	Height difference	m	Max. 26	Max. 26	Max. 30
	Piping length	m	2 to 26	2 to 26	2 to 46
Guaranteed operating range (Outdoor)	Heating	°C	-25 to +24	-25 to +24	-25 to +24
	DHW	°C	-25 to +35	-25 to +35	-25 to +35
	Cooling	°C	+10 to +46	+10 to +46	+10 to +46
Outlet water temp. (Max in Heating, Min in Cooling)	Heating	°C	+60	+60	+60
	Cooling	°C	+5	+5	+5
Nominal return water temperature range	Heating	°C	Due to the water quantity of system. See the graph of Section "1.4 Available range (2) Split-type units".		
	Cooling	°C			
Water Flow rate range		L/min	7.2 to 17.2	7.2 to 17.2	10.9 to 21.5

MODEL NAME			SUZ-SWM80VA2	SUZ-SWM80VAH2	SUZ-SWM100VA
POWER SUPPLY(Phase, voltage, frequency)			1φ, 230 V, 50 Hz	1φ, 230 V, 50 Hz	1φ, 230 V, 50 Hz
	Max. Current	A	17.3	17.3	17.3
Braker size		A	20	20	20
Outer casing			Galvanized plate	Galvanized plate	Galvanized plate
External finish			Munsell 3Y 7.8/1.1	Munsell 3Y 7.8/1.1	Munsell 3Y 7.8/1.1
Refrigerant control			Linear expansion valve	Linear expansion valve	Linear expansion valve
Compressor			Hermetic twin rotary	Hermetic twin rotary	Hermetic twin rotary
	Model		SVB220FUAM2T	SVB220FUAM2T	SVB220FUAM2T
	Motor output	kW	1.5	1.5	1.5
	Start type		Inverter	Inverter	Inverter
	Protection devices		Discharge thermo Over current Thermal Protector High pressure cut (Indoor unit)	Discharge thermo Over current Thermal Protector High pressure cut (Indoor unit)	Discharge thermo Over current Thermal Protector High pressure cut (Indoor unit)
	Oil (Model)	L	0.6 (FW68CA)	0.6 (FW68CA)	0.6 (FW68CA)
Base heater	Input	kW	-	0.120	-
Heat exchanger	Air		Plate fin coil	Plate fin coil	Plate fin coil
	Water		Plate heat exchanger	Plate heat exchanger	Plate heat exchanger
Fan	Fan(drive) x No.		Propeller fan ×1	Propeller fan ×1	Propeller fan ×1
	Fan motor output	kW	0.050	0.050	0.050
	Air flow	m ³ /min (CFM)	46.5 (1642)	46.5 (1642)	46.5 (1642)
Defrost method			Reverse cycle	Reverse cycle	Reverse cycle
Noise level (SPL)	Heating	dB	46	46	47
	Cooling	dB	47	47	47
Noise level (PWL)	Heating	dB	60	60	62
Dimensions	Width	mm(in)	840 (33-1/16)	840 (33-1/16)	840 (33-1/16)
	Depth	mm(in)	330 (13)	330 (13)	330 (13)
	Height	mm(in)	880 (34-5/8)	880 (34-5/8)	880 (34-5/8)
Weight		kg(lbs)	53 (117)	53.5 (118)	53 (117)
Refrigerant			R32	R32	R32
	Chargeless	kg	1.1 (2.4)	1.1 (2.4)	1.1 (2.4)
	MAX.	kg	1.7 (3.7)	1.7 (3.7)	1.7 (3.7)
Pipe size O.D.	Liquid	mm(in)	6.35 (1/4)	6.35 (1/4)	6.35 (1/4)
	Gas	mm(in)	12.7 (1/2)	12.7 (1/2)	12.7 (1/2)
Connection method			Flared	Flared	Flared
Between the indoor & outdoor unit	Height difference	m	Max. 30	Max. 30	Max. 30
	Piping length	m	2 to 46	2 to 46	2 to 46
Guaranteed operating range (Outdoor)	Heating	°C	-25 to +24	-25 to +24	-25 to +24
	DHW	°C	-25 to +35	-25 to +35	-25 to +35
	Cooling	°C	+10 to +46	+10 to +46	+10 to +46
Outlet water temp. (Max in Heating, Min in Cooling)	Heating	°C	+60	+60	+60
	Cooling	°C	+5	+5	+5
Nominal return water temperature range	Heating	°C	Due to the water quantity of system. See the graph of Section "1.4 Available range (2) Split-type units".		
	Cooling	°C			
Water Flow rate range		L/min	10.9 to 21.5	10.9 to 21.5	10.9 to 21.5

MODEL NAME			SUZ-SWM100VAH
POWER SUPPLY(Phase, voltage, frequency)			1φ, 230 V, 50 Hz
	Max. Current	A	17.3
Braker size		A	20
Outer casing			Galvanized plate
External finish			Munsell 3Y 7.8/1.1
Refrigerant control			Linear expansion valve
Compressor			Hermetic twin rotary
	Model		SVB220FUAM2T
	Motor output	kW	1.5
Start type			Inverter
	Protection devices		Discharge thermo Over current Thermal Protector High pressure cut (Indoor unit)
	Oil (Model)	L	0.6 (FW68CA)
Base heater		Input	kW
			0.120
Heat exchanger		Air	
		Plate fin coil	
		Water	
		Plate heat exchanger	
Fan	Fan(drive) x No.		Propeller fan ×1
	Fan motor output	kW	0.050
	Air flow	m ³ /min (CFM)	46.5 (1642)
Defrost method			Reverse cycle
Noise level (SPL)	Heating	dB	47
	Cooling	dB	47
Noise level (PWL)	Heating	dB	62
Dimensions	Width	mm(in)	840 (33-1/16)
	Depth	mm(in)	330 (13)
	Height	mm(in)	880 (34-5/8)
Weight		kg(lbs)	53.5 (118)
Refrigerant			R32
	Chargeless	kg	1.1 (2.4)
	MAX.	kg	1.7 (3.7)
Pipe size O.D.	Liquid	mm(in)	6.35 (1/4)
	Gas	mm(in)	12.7 (1/2)
Connection method			Flared
Between the indoor & outdoor unit	Height difference	m	Max. 30
	Piping length	m	2 to 46
Guaranteed operating range (Outdoor)	Heating	°C	-25 to +24
	DHW	°C	-25 to +35
	Cooling	°C	+10 to +46
Outlet water temp. (Max in Heating, Min in Cooling)	Heating	°C	+60
	Cooling	°C	+5
Nominal return water temperature range	Heating	°C	Due to the water quantity of system. See the graph of Section "1.4 Available range (2) Split-type units".
	Cooling	°C	
Water Flow rate range		L/min	10.9 to 21.5

MODEL NAME			PUD-SWM60VAA(-BS)	PUD-SHWM60VAA(-BS)
POWER SUPPLY(Phase, voltage, frequency)			1φ, 230 V, 50 Hz	1φ, 230 V, 50 Hz
	Max. Current	A	16.5	16.5
Braker size			20	20
Outer casing			Galvanized plate	Galvanized plate
External finish			Munsell N8.75, N2.75 (FRONT PANEL)	Munsell N8.75, N2.75 (FRONT PANEL)
Refrigerant control			Linear expansion valve	Linear expansion valve
Compressor			Hermetic scroll	Hermetic scroll
	Model		DVB28FBAMT	DVK28FBAMT
	Motor output	kW	2.2	2.2
	Start type		Inverter	Inverter
	Protection devices		HP switch Discharge thermo Comp. Surface thermo Over current detection	HP switch Discharge thermo Comp. Surface thermo Over current detection
	Oil (Model)	L	0.9 (FW68S)	0.9 (FW68S)
Crankcase heater			-	-
Heat exchanger		Air	Plate fin coil	Plate fin coil
		Water	-	-
Fan	Fan(drive) x No.		Propeller fan x1	Propeller fan x1
	Fan motor output	kW	0.074	0.074
	Air flow	m ³ /min (CFM)	40 (1410)	40 (1410)
Defrost method			Reverse cycle	Reverse cycle
Noise level (SPL)	Heating	dB	41	41
	Cooling	dB	-	-
Noise level (PWL)	Heating	dB	55	55
Dimensions	Width	mm(in)	1050 (41-5/16)	1050 (41-5/16)
	Depth	mm(in)	480 (18-7/8)	480 (18-7/8)
	Height	mm(in)	1020 (40-3/16)	1020 (40-3/16)
Weight		kg(lbs)	101 (223)	102 (225)
Refrigerant			R32	R32
	Chargeless	kg	1.3 (2.9)	1.4 (3.1)
	MAX.	kg	1.6 (3.5)	1.7 (3.8)
Pipe size O.D.	Liquid	mm(in)	6.35 (1/4)	6.35 (1/4)
	Gas	mm(in)	12.7 (1/2)	12.7 (1/2)
Connection method			Flared	Flared
Between the indoor & outdoor unit	Height difference	m	30	30
	Piping length	m	2 to 30	2 to 30
Guaranteed operating range (Outdoor)	Heating	°C	-25 to +24	-28 to +24
	DHW	°C	-25 to +35	-28 to +35
	Cooling	°C	-	-
Outlet water temp. (Max in Heating, Min in Cooling)	Heating	°C	+60	+60
	Cooling	°C	-	-
Nominal return water temperature range	Heating	°C	+10 to +59	+10 to +59
	Cooling	°C	-	-
Water Flow rate range		L/min	9.0 to 22.9	9.0 to 22.9

MODEL NAME			PUD-SWM80VAA(-BS)	PUD-SHWM80VAA(-BS)
POWER SUPPLY(Phase, voltage, frequency)			1φ, 230 V, 50 Hz	1φ, 230 V, 50 Hz
	Max. Current	A	22.0	22.0
Braker size			25	25
Outer casing			Galvanized plate	Galvanized plate
External finish			Munsell N8.75, N2.75 (FRONT PANEL)	Munsell N8.75, N2.75 (FRONT PANEL)
Refrigerant control			Linear expansion valve	Linear expansion valve
Compressor			Hermetic scroll	Hermetic scroll
	Model		DVB28FBAMT	DVK28FBAMT
	Motor output	kW	2.2	2.2
	Start type		Inverter	Inverter
	Protection devices		HP switch Discharge thermo Comp. Surface thermo Over current detection	HP switch Discharge thermo Comp. Surface thermo Over current detection
	Oil (Model)	L	0.9 (FW68S)	0.9 (FW68S)
Crankcase heater			-	-
Heat exchanger	Air		Plate fin coil	Plate fin coil
	Water		-	-
Fan	Fan(drive) x No.		Propeller fan x1	Propeller fan x1
	Fan motor output	kW	0.074	0.074
	Air flow	m ³ /min (CFM)	40 (1410)	40 (1410)
Defrost method			Reverse cycle	Reverse cycle
Noise level (SPL)	Heating	dB	42	42
	Cooling	dB	-	-
Noise level (PWL)	Heating	dB	56	56
Dimensions	Width	mm(in)	1050 (41-5/16)	1050 (41-5/16)
	Depth	mm(in)	480 (18-7/8)	480 (18-7/8)
	Height	mm(in)	1020 (40-3/16)	1020 (40-3/16)
Weight		kg(lbs)	101 (223)	102 (225)
Refrigerant			R32	R32
	Chargeless	kg	1.3 (2.9)	1.4 (3.1)
	MAX.	kg	1.6 (3.5)	1.7 (3.8)
Pipe size O.D.	Liquid	mm(in)	6.35 (1/4)	6.35 (1/4)
	Gas	mm(in)	12.7 (1/2)	12.7 (1/2)
Connection method			Flared	Flared
Between the indoor & outdoor unit	Height difference	m	30	30
	Piping length	m	2 to 30	2 to 30
Guaranteed operating range (Outdoor)	Heating	°C	-25 to +24	-28 to +24
	DHW	°C	-25 to +35	-28 to +35
	Cooling	°C	-	-
Outlet water temp. (Max in Heating, Min in Cooling)	Heating	°C	+60	+60
	Cooling	°C	-	-
Nominal return water temperature range	Heating	°C	+10 to +59	+10 to +59
	Cooling	°C	-	-
Water Flow rate range			L/min	9.0 to 22.9

MODEL NAME			PUD-SWM80YAA(-BS)	PUD-SHWM80YAA(-BS)
POWER SUPPLY(Phase, voltage, frequency)			3φ, 400 V, 50 Hz	3φ, 400 V, 50 Hz
	Max. Current	A	8.0	8.0
Braker size			16	16
Outer casing			Galvanized plate	Galvanized plate
External finish			Munsell N8.75, N2.75 (FRONT PANEL)	Munsell N8.75, N2.75 (FRONT PANEL)
Refrigerant control			Linear expansion valve	Linear expansion valve
Compressor			Hermetic scroll	Hermetic scroll
	Model		DVB28FBBMT	DVK28FBBMT
	Motor output	kW	2.2	2.2
	Start type		Inverter	Inverter
	Protection devices		HP switch Discharge thermo Comp. Surface thermo Over current detection	HP switch Discharge thermo Comp. Surface thermo Over current detection
	Oil (Model)	L	0.9 (FW68S)	0.9 (FW68S)
Crankcase heater			-	-
Heat exchanger		Air	Plate fin coil	Plate fin coil
		Water	-	-
Fan	Fan(drive) x No.		Propeller fan x1	Propeller fan x1
	Fan motor output	kW	0.074	0.074
	Air flow	m ³ /min (CFM)	40 (1410)	40 (1410)
Defrost method			Reverse cycle	Reverse cycle
Noise level (SPL)	Heating	dB	42	42
	Cooling	dB	-	-
Noise level (PWL)	Heating	dB	56	56
Dimensions	Width	mm(in)	1050 (41-5/16)	1050 (41-5/16)
	Depth	mm(in)	480 (18-7/8)	480 (18-7/8)
	Height	mm(in)	1020 (40-3/16)	1020 (40-3/16)
Weight		kg(lbs)	114 (251)	115 (254)
Refrigerant			R32	R32
	Chargeless	kg	1.3 (2.9)	1.4 (3.1)
	MAX.	kg	1.6 (3.5)	1.7 (3.8)
Pipe size O.D.	Liquid	mm(in)	6.35 (1/4)	6.35 (1/4)
	Gas	mm(in)	12.7 (1/2)	12.7 (1/2)
Connection method			Flared	Flared
Between the indoor & outdoor unit	Height difference	m	30	30
	Piping length	m	2 to 30	2 to 30
Guaranteed operating range (Outdoor)	Heating	°C	-25 to +24	-28 to +24
	DHW	°C	-25 to +35	-28 to +35
	Cooling	°C	-	-
Outlet water temp. (Max in Heating, Min in Cooling)	Heating	°C	+60	+60
	Cooling	°C	-	-
Nominal return water temperature range	Heating	°C	+10 to +59	+10 to +59
	Cooling	°C	-	-
Water Flow rate range		L/min	9.0 to 22.9	9.0 to 22.9

MODEL NAME			PUD-SWM100VAA(-BS)	PUD-SHWM100VAA(-BS)
POWER SUPPLY(Phase, voltage, frequency)			1φ, 230 V, 50 Hz	1φ, 230 V, 50 Hz
	Max. Current	A	26.0	26.0
Braker size		A	30	30
Outer casing			Galvanized plate	Galvanized plate
External finish			Munsell N8.75, N2.75 (FRONT PANEL)	Munsell N8.75, N2.75 (FRONT PANEL)
Refrigerant control			Linear expansion valve	Linear expansion valve
Compressor			Hermetic scroll	Hermetic scroll
	Model		DVB28FBAMT	DVK28FBAMT
	Motor output	kW	2.2	2.2
Start type			Inverter	Inverter
Protection devices			HP switch Discharge thermo Comp. Surface thermo Over current detection	HP switch Discharge thermo Comp. Surface thermo Over current detection
	Oil (Model)	L	0.9 (FW68S)	0.9 (FW68S)
Crankcase heater			-	-
Heat exchanger	Air		Plate fin coil	Plate fin coil
	Water		-	-
Fan	Fan(drive) x No.		Propeller fan x1	Propeller fan x1
	Fan motor output	kW	0.200	0.200
	Air flow	m ³ /min (CFM)	50 (1760)	50 (1760)
Defrost method			Reverse cycle	Reverse cycle
Noise level (SPL)	Heating	dB	44	44
	Cooling	dB	-	-
Noise level (PWL)	Heating	dB	59	59
Dimensions	Width	mm(in)	1050 (41-5/16)	1050 (41-5/16)
	Depth	mm(in)	480 (18-7/8)	480 (18-7/8)
	Height	mm(in)	1020 (40-3/16)	1020 (40-3/16)
Weight		kg(lbs)	107 (236)	108 (238)
Refrigerant			R32	R32
	Chargeless	kg	1.6 (3.5)	1.7 (3.8)
	MAX.	kg	1.83 (4.0)	1.83 (4.0)
Pipe size O.D.	Liquid	mm(in)	6.35 (1/4)	6.35 (1/4)
	Gas	mm(in)	12.7 (1/2)	12.7 (1/2)
Connection method			Flared	Flared
Between the indoor & outdoor unit	Height difference	m	30	30
	Piping length	m	2 to 30	2 to 30
Guaranteed operating range (Outdoor)	Heating	°C	-25 to +24	-28 to +24
	DHW	°C	-25 to +35	-28 to +35
	Cooling	°C	-	-
Outlet water temp. (Max in Heating, Min in Cooling)	Heating	°C	+60	+60
	Cooling	°C	-	-
Nominal return water temperature range	Heating	°C	+10 to +59	+10 to +59
	Cooling	°C	-	-
Water Flow rate range		L/min	14.3 to 34.4	14.3 to 34.4

MODEL NAME			PUD-SWM100YAA(-BS)	PUD-SHWM100YAA(-BS)
POWER SUPPLY(Phase, voltage, frequency)			3φ, 400 V, 50 Hz	3φ, 400 V, 50 Hz
	Max. Current	A	10.0	10.0
Braker size			16	16
Outer casing			Galvanized plate	Galvanized plate
External finish			Munsell N8.75, N2.75 (FRONT PANEL)	Munsell N8.75, N2.75 (FRONT PANEL)
Refrigerant control			Linear expansion valve	Linear expansion valve
Compressor			Hermetic scroll	Hermetic scroll
	Model		DVB28FBBMT	DVK28FBBMT
	Motor output	kW	2.2	2.2
	Start type		Inverter	Inverter
	Protection devices		HP switch Discharge thermo Comp. Surface thermo Over current detection	HP switch Discharge thermo Comp. Surface thermo Over current detection
	Oil (Model)	L	0.9 (FW68S)	0.9 (FW68S)
Crankcase heater			-	-
Heat exchanger		Air	Plate fin coil	Plate fin coil
		Water	-	-
Fan	Fan(drive) x No.		Propeller fan x1	Propeller fan x1
	Fan motor output	kW	0.200	0.200
	Air flow	m ³ /min (CFM)	50 (1760)	50 (1760)
Defrost method			Reverse cycle	Reverse cycle
Noise level (SPL)	Heating	dB	44	44
	Cooling	dB	-	-
Noise level (PWL)	Heating	dB	59	59
Dimensions	Width	mm(in)	1050 (41-5/16)	1050 (41-5/16)
	Depth	mm(in)	480 (18-7/8)	480 (18-7/8)
	Height	mm(in)	1020 (40-3/16)	1020 (40-3/16)
Weight		kg(lbs)	120 (265)	121 (267)
Refrigerant			R32	R32
	Chargeless	kg	1.6 (3.5)	1.7 (3.8)
	MAX.	kg	1.83 (4.0)	1.83 (4.0)
Pipe size O.D.	Liquid	mm(in)	6.35 (1/4)	6.35 (1/4)
	Gas	mm(in)	12.7 (1/2)	12.7 (1/2)
Connection method			Flared	Flared
Between the indoor & outdoor unit	Height difference	m	30	30
	Piping length	m	2 to 30	2 to 30
Guaranteed operating range (Outdoor)	Heating	°C	-25 to +24	-28 to +24
	DHW	°C	-25 to +35	-28 to +35
	Cooling	°C	-	-
Outlet water temp. (Max in Heating, Min in Cooling)	Heating	°C	+60	+60
	Cooling	°C	-	-
Nominal return water temperature range	Heating	°C	+10 to +59	+10 to +59
	Cooling	°C	-	-
Water Flow rate range		L/min	14.3 to 34.4	14.3 to 34.4

MODEL NAME			PUD-SWM120VAA(-BS)	PUD-SHWM120VAA(-BS)
POWER SUPPLY(Phase, voltage, frequency)			1φ, 230 V, 50 Hz	1φ, 230 V, 50 Hz
	Max. Current	A	28.0	28.0
Braker size			32	32
Outer casing			Galvanized plate	Galvanized plate
External finish			Munsell N8.75, N2.75 (FRONT PANEL)	Munsell N8.75, N2.75 (FRONT PANEL)
Refrigerant control			Linear expansion valve	Linear expansion valve
Compressor			Hermetic scroll	Hermetic scroll
	Model		DVB28FBAMT	DVK28FBAMT
	Motor output	kW	2.2	2.2
Start type			Inverter	Inverter
Protection devices			HP switch Discharge thermo Comp. Surface thermo Over current detection	HP switch Discharge thermo Comp. Surface thermo Over current detection
	Oil (Model)	L	0.9 (FW68S)	0.9 (FW68S)
Crankcase heater			-	-
Heat exchanger	Air		Plate fin coil	Plate fin coil
	Water		-	-
Fan	Fan(drive) x No.		Propeller fan x1	Propeller fan x1
	Fan motor output	kW	0.200	0.200
	Air flow	m ³ /min (CFM)	50 (1760)	50 (1760)
Defrost method			Reverse cycle	Reverse cycle
Noise level (SPL)	Heating	dB	46	46
	Cooling	dB	-	-
Noise level (PWL)	Heating	dB	60	60
Dimensions	Width	mm(in)	1050 (41-5/16)	1050 (41-5/16)
	Depth	mm(in)	480 (18-7/8)	480 (18-7/8)
	Height	mm(in)	1020 (40-3/16)	1020 (40-3/16)
Weight		kg(lbs)	107 (236)	108 (238)
Refrigerant			R32	R32
	Chargeless	kg	1.6 (3.5)	1.7 (3.8)
	MAX.	kg	1.83 (4.0)	1.83 (4.0)
Pipe size O.D.	Liquid	mm(in)	6.35 (1/4)	6.35 (1/4)
	Gas	mm(in)	12.7 (1/2)	12.7 (1/2)
Connection method			Flared	Flared
Between the indoor & outdoor unit	Height difference	m	30	30
	Piping length	m	2 to 30	2 to 30
Guaranteed operating range (Outdoor)	Heating	°C	-25 to +24	-28 to +24
	DHW	°C	-25 to +35	-28 to +35
	Cooling	°C	-	-
Outlet water temp. (Max in Heating, Min in Cooling)	Heating	°C	+60	+60
	Cooling	°C	-	-
Nominal return water temperature range	Heating	°C	+10 to +59	+10 to +59
	Cooling	°C	-	-
Water Flow rate range		L/min	14.3 to 34.4	14.3 to 34.4

MODEL NAME			PUD-SWM120YAA(-BS)	PUD-SHWM120YAA(-BS)
POWER SUPPLY(Phase, voltage, frequency)			3φ, 400 V, 50 Hz	3φ, 400 V, 50 Hz
	Max. Current	A	12.0	12.0
Braker size			16	16
Outer casing			Galvanized plate	Galvanized plate
External finish			Munsell N8.75, N2.75 (FRONT PANEL)	Munsell N8.75, N2.75 (FRONT PANEL)
Refrigerant control			Linear expansion valve	Linear expansion valve
Compressor			Hermetic scroll	Hermetic scroll
	Model		DVB28FBBMT	DVK28FBBMT
	Motor output	kW	2.2	2.2
	Start type		Inverter	Inverter
	Protection devices		HP switch Discharge thermo Comp. Surface thermo Over current detection	HP switch Discharge thermo Comp. Surface thermo Over current detection
	Oil (Model)	L	0.9 (FW68S)	0.9 (FW68S)
Crankcase heater			-	-
Heat exchanger		Air	Plate fin coil	Plate fin coil
		Water	-	-
Fan	Fan(drive) x No.		Propeller fan x1	Propeller fan x1
	Fan motor output	kW	0.200	0.200
	Air flow	m ³ /min (CFM)	50 (1760)	50 (1760)
Defrost method			Reverse cycle	Reverse cycle
Noise level (SPL)	Heating	dB	46	46
	Cooling	dB	-	-
Noise level (PWL)	Heating	dB	60	60
Dimensions	Width	mm(in)	1050 (41-5/16)	1050 (41-5/16)
	Depth	mm(in)	480 (18-7/8)	480 (18-7/8)
	Height	mm(in)	1020 (40-3/16)	1020 (40-3/16)
Weight		kg(lbs)	120 (265)	121 (267)
Refrigerant			R32	R32
	Chargeless	kg	1.6 (3.5)	1.7 (3.8)
	MAX.	kg	1.83 (4.0)	1.83 (4.0)
Pipe size O.D.	Liquid	mm(in)	6.35 (1/4)	6.35 (1/4)
	Gas	mm(in)	12.7 (1/2)	12.7 (1/2)
Connection method			Flared	Flared
Between the indoor & outdoor unit	Height difference	m	30	30
	Piping length	m	2 to 30	2 to 30
Guaranteed operating range (Outdoor)	Heating	°C	-25 to +24	-28 to +24
	DHW	°C	-25 to +35	-28 to +35
	Cooling	°C	-	-
Outlet water temp. (Max in Heating, Min in Cooling)	Heating	°C	+60	+60
	Cooling	°C	-	-
Nominal return water temperature range	Heating	°C	+10 to +59	+10 to +59
	Cooling	°C	-	-
Water Flow rate range		L/min	14.3 to 34.4	14.3 to 34.4

1 Specifications

Outdoor unit

Outdoor unit

MODEL NAME			PUD-SHWM140VAA(-BS)	PUD-SHWM140YAA(-BS)
POWER SUPPLY(Phase, voltage, frequency)			1φ, 230 V, 50 Hz	3φ, 400 V, 50 Hz
	Max. Current	A	35.0	12.0
Braker size		A	40	16
Outer casing			Galvanized plate	Galvanized plate
External finish			Munsell N8.75, N2.75 (FRONT PANEL)	Munsell N8.75, N2.75 (FRONT PANEL)
Refrigerant control			Linear expansion valve	Linear expansion valve
Compressor			Hermetic scroll	Hermetic scroll
	Model		DVK36FBEMT	DVK36FBBMT
	Motor output	kW	3.6	3.6
Start type			Inverter	Inverter
Protection devices			HP switch Discharge thermo Comp. Surface thermo Over current detection	HP switch Discharge thermo Comp. Surface thermo Over current detection
	Oil (Model)	L	0.9 (FW68S)	0.9 (FW68S)
Crankcase heater			-	-
Heat exchanger	Air		Plate fin coil	Plate fin coil
	Water		-	-
Fan	Fan(drive) x No.		Propeller fan x1	Propeller fan x1
	Fan motor output	kW	0.200	0.200
	Air flow	m ³ /min (CFM)	50 (1760)	50 (1760)
Defrost method			Reverse cycle	Reverse cycle
Noise level (SPL)	Heating	dB	48	48
	Cooling	dB	-	-
Noise level (PWL)	Heating	dB	62	62
Dimensions	Width	mm(in)	1050 (41-5/16)	1050 (41-5/16)
	Depth	mm(in)	480 (18-7/8)	480 (18-7/8)
	Height	mm(in)	1020 (40-3/16)	1020 (40-3/16)
Weight		kg(lbs)	110 (243)	122 (269)
Refrigerant			R32	R32
	Chargeless	kg	1.7 (3.8)	1.7 (3.8)
	MAX.	kg	1.83 (4.0)	1.83 (4.0)
Pipe size O.D.	Liquid	mm(in)	6.35 (1/4)	6.35 (1/4)
	Gas	mm(in)	12.7 (1/2)	12.7 (1/2)
Connection method			Flared	Flared
Between the indoor & outdoor unit	Height difference	m	25	25
	Piping length	m	2 to 25	2 to 25
Guaranteed operating range (Outdoor)	Heating	°C	-28 to +24	-28 to +24
	DHW	°C	-28 to +35	-28 to +35
	Cooling	°C	-	-
Outlet water temp. (Max in Heating, Min in Cooling)	Heating	°C	+60	+60
	Cooling	°C	-	-
Nominal return water temperature range	Heating	°C	+10 to +59	+10 to +59
	Cooling	°C	-	-
Water Flow rate range		L/min	14.3 to 34.4	14.3 to 34.4

1 Specifications

Outdoor unit

MODEL NAME				PXZ-4F75VG	PXZ-5F85VG		
POWER SUPPLY(Phase, voltage, frequency)				1φ, 230V, 50Hz	1φ, 230V, 50Hz		
	Max. Current	A	18.0	21.4			
Braker size				A	25.0		
Outer casing				Galvanized plate	Galvanized plate		
External finish				Munsell No. 3Y 7.8/1.1	Munsell No. 3Y 7.8/1.1		
Refrigerant control				Linear expansion valve	Linear expansion valve		
Compressor				Hermetic twin rotary	Hermetic twin rotary		
	Model		SVB172FPM1T	SVB220FUGMC-L1			
	Motor output	kW	2.0	2.2			
Start type				Inverter	Inverter		
Protection devices				HP switch TheramI Protector Comp. Surface thermo Over current detection	HP switch TheramI Protector Comp. Surface thermo Over current detection		
	Oil (Model)	L	0.6 (FW68CA)	0.6 (FW68CA)			
Crankcase heater				-	-		
Heat exchanger		Air	Plate fin coil	Plate fin coil			
		Water	Plate heat exchanger	Plate heat exchanger			
Fan	Fan(drive) x No.			Propeller fan ×1	Propeller fan ×1		
	Fan motor output		kW	0.064	0.088		
	Air flow		m ³ /min (CFM)	42.7 (1508)	62.0 (2182)		
Defrost method				Reverse cycle	Reverse cycle		
Noise level (SPL)	ATW	Heating (Full Load)	dB	57	54		
		Cooling	dB	-	-		
	ATA	Heating (Full Load)	dB	54	51		
		Cooling	dB	48	49		
Noise level (PWL)	ATW	Heating	dB	67	64		
	ATA	Cooling	dB	63	61		
Dimensions		Width	mm(in)	840 (33-11/16)	950 (37-3/8)		
		Depth	mm(in)	330 (13)	330 (13)		
		Height	mm(in)	710 (27-15/16)	796 (31-5/16)		
Weight			kg(lbs)	59 (130)	62 (137)		
Refrigerant				R32	R32		
				Chargeless	kg(lbs)	2.4 (5.3)	2.4 (5.3)
				MAX.	kg(lbs)	2.4 (5.3)	2.4 (5.3)
Pipe size O.D.		Liquid	mm(in)	6.35 (1/4)	6.35 (1/4)		
		Gas	mm(in)	12.7 (1/2)	12.7 (1/2)		
Connection method				Flared	Flared		
Between the indoor & outdoor unit		Height difference	m	Max. 20	Max. 20		
		Piping length	m	Max. 60m total Max. 30m for each	Max. 70m total Max. 30m for each		
Guaranteed operating range (Outdoor)		ATW	Heating	°C	-20 to +24	-20 to +24	
			DHW	°C	-20 to +35	-20 to +35	
			Cooling	°C	-	-	
		ATA	Heating	°C	-20 to +24	-20 to +24	
Cooling	°C		-10 to +46	-10 to +46			
Outlet water temp. (Max in Heating, Min in Cooling)		Heating	°C	+55	+55		
		Cooling	°C	-	-		
Nominal return water temperature range		Heating	°C	+10 to +54	+10 to +54		
		Cooling	°C	-	-		
Water Flow rate range			L/min	11.5 to 21.7	11.5 to 24.6		

1.2 Capacity

(1) Packaged-type units

MODEL NAME		PUZ-WM50VHA(-BS)	PUZ-WM60VAA(-BS)	PUZ-WM85VAA(-BS)	
Nominal water flow rate (Heating mode)		L/min	14.3	17.2	24.4
Heating (A7/W35)	Capacity	kW	5.00	6.00	8.50
	COP		5.00	5.06	4.80
	Power input	kW	1.00	1.19	1.77
Heating (A2/W35)	Capacity	kW	5.00	6.00	8.50
	COP		3.70	3.75	3.51
	Power input	kW	1.35	1.60	2.42
Pressure difference (Water circuit)		kPa	12	8	15
Heating pump input (Based on EN14511)		kW	0.010	0.008	0.020
Nominal water flow rate (Cooling mode)		L/min	12.9	17.2	21.5
Cooling (A35/W7)	Capacity	kW	4.50	6.00	7.50
	EER (COP)		3.40	3.30	3.15
	Power input	kW	1.32	1.82	2.38
Cooling (A35/W18)	Capacity	kW	4.50	6.00	7.50
	EER (COP)		5.00	4.45	4.90
	Power input	kW	0.90	1.35	1.53
Pressure difference (Water circuit)		kPa	10	8	11
Cooling pump input (Based on EN14511)		kW	0.010	0.008	0.014
Recommended plate heat exchanger			Built-in	Built-in	Built-in

Note: "COP" and "Power input" in the above table are values that contains the "pump input (Based on EN 14511)".

MODEL NAME		PUZ-WM85YAA(-BS)	PUZ-WM112VAA(-BS)	PUZ-WM112YAA(-BS)	
Nominal water flow rate (Heating mode)		L/min	24.4	32.1	32.1
Heating (A7/W35)	Capacity	kW	8.50	11.20	11.20
	COP		4.80	4.70	4.70
	Power input	kW	1.77	2.38	2.38
Heating (A2/W35)	Capacity	kW	8.50	11.20	11.20
	COP		3.51	3.44	3.44
	Power input	kW	2.42	3.26	3.26
Pressure difference (Water circuit)		kPa	15	24	24
Heating pump input (Based on EN14511)		kW	0.020	0.043	0.043
Nominal water flow rate (Cooling mode)		L/min	21.5	28.7	28.7
Cooling (A35/W7)	Capacity	kW	7.50	10.00	10.00
	EER (COP)		3.15	3.25	3.25
	Power input	kW	3.28	3.08	3.08
Cooling (A35/W18)	Capacity	kW	7.50	10.00	10.00
	EER (COP)		4.90	4.80	4.80
	Power input	kW	1.53	2.08	2.08
Pressure difference (Water circuit)		kPa	11	20	20
Cooling pump input (Based on EN14511)		kW	0.014	0.032	0.032
Recommended plate heat exchanger			Built-in	Built-in	Built-in

Note: "COP" and "Power input" in the above table are values that contains the "pump input (Based on EN 14511)".

MODEL NAME		PUZ-HWM140VHA(-BS)	PUZ-HWM140YHA(-BS)
Nominal water flow rate (Heating mode)		L/min	40.1
Heating (A7/W35)	Capacity	kW	14.00
	COP		4.46
	Power input	kW	3.14
Heating (A2/W35)	Capacity	kW	14.00
	COP		3.15
	Power input	kW	4.44
Pressure difference (Water circuit)		kPa	9
Heating pump input (Based on EN14511)		kW	0.020
Nominal water flow rate (Cooling mode)		L/min	34.1
Cooling (A35/W7)	Capacity	kW	11.90
	EER (COP)		3.00
	Power input	kW	3.97
Cooling (A35/W18)	Capacity	kW	11.10
	EER (COP)		4.10
	Power input	kW	2.71
Pressure difference (Water circuit)		kPa	7
Cooling pump input (Based on EN14511)		kW	0.020
Recommended plate heat exchanger		Built-in	Built-in

Note: "COP" and "Power input" in the above table are values that contains the "pump input (Based on EN 14511)".

(2) Split-type units

MODEL NAME		SUZ-SWM40VA	SUZ-SWM60VA	SUZ-SWM80VA	
Nominal water flow rate (Heating mode)		L/min	11.4	21.5	21.5
Heating (A7/W35)	Capacity	kW	4.00	7.50	7.50
	COP		5.20	4.70	4.70
	Power input	kW	0.77	1.60	1.60
Heating (A2/W35)	Capacity	kW	4.00	6.50	6.50
	COP		3.90	3.40	3.40
	Power input	kW	1.03	1.91	1.91
Pressure difference (Water circuit)		kPa	-	-	-
Heating pump input (Based on EN14511)		kW	-	-	-
Nominal water flow rate (Cooling mode)		L/min	12.9	15.5	15.5
Cooling (A35/W7)	Capacity	kW	4.50	5.40	5.40
	EER (COP)		3.29	3.00	3.00
	Power input	kW	1.37	1.80	1.80
Cooling (A35/W18)	Capacity	kW	5.60	6.30	6.30
	EER (COP)		4.97	4.80	4.80
	Power input	kW	1.13	1.31	1.31
Pressure difference (Water circuit)		kPa	-	-	-
Cooling pump input (Based on EN14511)		kW	-	-	-
Recommended plate heat exchanger			MWA1-44DM	MWA1-44DM	MWA1-44DM

The table shows performance data obtained when a plate heat exchanger is connected.

MODEL NAME		SUZ-SWM30VA	SUZ-SHWM30VAH	SUZ-SWM40VA2(-SC)	
Nominal water flow rate (Heating mode)		L/min	8.6	8.6	8.6
Heating (A7/W35)	Capacity	kW	3.00	3.00	3.00
	COP		5.11	5.11	5.11
	Power input	kW	0.59	0.59	0.59
Heating (A2/W35)	Capacity	kW	3.00	3.00	4.00
	COP		3.96	3.67	3.90
	Power input	kW	0.76	0.82	1.03
Pressure difference (Water circuit)		kPa	-	-	-
Heating pump input (Based on EN14511)		kW	-	-	-
Nominal water flow rate (Cooling mode)		L/min	10.0	10.0	12.9
Cooling (A35/W7)	Capacity	kW	3.50	3.50	4.50
	EER (COP)		3.52	3.52	3.31
	Power input	kW	0.99	0.99	1.36
Cooling (A35/W18)	Capacity	kW	3.50	3.50	5.60
	EER (COP)		5.51	5.51	4.71
	Power input	kW	0.64	0.64	1.19
Pressure difference (Water circuit)		kPa	-	-	-
Cooling pump input (Based on EN14511)		kW	-	-	-
Recommended plate heat exchanger			MWA1-44DM	MWA1-44DM	MWA1-44DM

The table shows performance data obtained when a plate heat exchanger is connected.

MODEL NAME		SUZ-SHWM40VAH(-SC)	SUZ-SWM60VA2(-SC)	SUZ-SHWM60VAH(-SC)	
Nominal water flow rate (Heating mode)		L/min	8.6	14.3	14.3
Heating (A7/W35)	Capacity	kW	3.00	5.00	5.00
	COP		4.77	4.85	4.95
	Power input	kW	0.63	1.03	1.01
Heating (A2/W35)	Capacity	kW	4.00	6.00	6.00
	COP		3.61	3.62	3.47
	Power input	kW	1.11	1.66	1.73
Pressure difference (Water circuit)		kPa	-	-	-
Heating pump input (Based on EN14511)		kW	-	-	-
Nominal water flow rate (Cooling mode)		L/min	12.9	14.3	17.2
Cooling (A35/W7)	Capacity	kW	4.50	5.00	6.00
	EER (COP)		3.33	3.18	3.28
	Power input	kW	1.35	1.57	1.83
Cooling (A35/W18)	Capacity	kW	5.60	6.00	6.00
	EER (COP)		4.70	4.65	5.21
	Power input	kW	1.19	1.29	1.15
Pressure difference (Water circuit)		kPa	-	-	-
Cooling pump input (Based on EN14511)		kW	-	-	-
Recommended plate heat exchanger			MWA1-44DM	MWA1-44DM	MWA1-44DM

The table shows performance data obtained when a plate heat exchanger is connected.

MODEL NAME		SUZ-SWM80VA2	SUZ-SWM80VAH2	SUZ-SWM100VA	
Nominal water flow rate (Heating mode)		L/min	17.2	17.2	21.5
Heating (A7/W35)	Capacity	kW	6.00	6.00	7.50
	COP		5.10	5.10	4.85
	Power input	kW	1.18	1.18	1.55
Heating (A2/W35)	Capacity	kW	7.50	7.50	9.00
	COP		3.50	3.31	3.12
	Power input	kW	2.14	2.27	2.88
Pressure difference (Water circuit)		kPa	-	-	-
Heating pump input (Based on EN14511)		kW	-	-	-
Nominal water flow rate (Cooling mode)		L/min	19.2	19.2	20.9
Cooling (A35/W7)	Capacity	kW	6.70	6.70	7.30
	EER (COP)		3.20	3.20	3.00
	Power input	kW	2.09	2.09	2.43
Cooling (A35/W18)	Capacity	kW	6.70	6.70	8.10
	EER (COP)		5.06	5.06	4.44
	Power input	kW	1.32	1.32	1.82
Pressure difference (Water circuit)		kPa	-	-	-
Cooling pump input (Based on EN14511)		kW	-	-	-
Recommended plate heat exchanger			MWA1-44DM	MWA1-44DM	MWA1-44DM

The table shows performance data obtained when a plate heat exchanger is connected.

MODEL NAME		SUZ-SWM100VAH	
Nominal water flow rate (Heating mode)		L/min	21.5
Heating (A7/W35)	Capacity	kW	7.50
	COP		4.85
	Power input	kW	1.55
Heating (A2/W35)	Capacity	kW	9.00
	COP		3.00
	Power input	kW	3.00
Pressure difference (Water circuit)		kPa	-
Heating pump input (Based on EN14511)		kW	-
Nominal water flow rate (Cooling mode)		L/min	20.9
Cooling (A35/W7)	Capacity	kW	7.30
	EER (COP)		3.00
	Power input	kW	2.43
Cooling (A35/W18)	Capacity	kW	8.10
	EER (COP)		4.44
	Power input	kW	1.82
Pressure difference (Water circuit)		kPa	-
Cooling pump input (Based on EN14511)		kW	-
Recommended plate heat exchanger		MWA1-44DM	

The table shows performance data obtained when a plate heat exchanger is connected.

MODEL NAME		PUD-SWM60VAA(-BS)		PUD-SHWM60VAA(-BS)	
Nominal water flow rate (Heating mode)		L/min	14.3	14.3	
Heating (A7/W35)	Capacity	kW	5.00	5.00	
	COP		4.76	4.99	
	Power input	kW	1.05	1.00	
Heating (A2/W35)	Capacity	kW	6.00	6.00	
	COP		3.60	3.80	
	Power input	kW	1.67	1.58	
Pressure difference (Water circuit)		kPa	-	-	
Heating pump input (Based on EN14511)		kW	-	-	
Nominal water flow rate (Cooling mode)		L/min	-	-	
Cooling (A35/W7)	Capacity	kW	-	-	
	EER (COP)		-	-	
	Power input	kW	-	-	
Cooling (A35/W18)	Capacity	kW	-	-	
	EER (COP)		-	-	
	Power input	kW	-	-	
Pressure difference (Water circuit)		kPa	-	-	
Cooling pump input (Based on EN14511)		kW	-	-	
Recommended plate heat exchanger		MWA1-44DM		MWA1-44DM	

The table shows performance data obtained when a plate heat exchanger is connected.

MODEL NAME		PUD-SWM80VAA(-BS)	PUD-SWM80YAA(-BS)
Nominal water flow rate (Heating mode)		L/min	17.2
Heating (A7/W35)	Capacity	kW	6.00
	COP		4.76
	Power input	kW	1.26
Heating (A2/W35)	Capacity	kW	8.00
	COP		3.55
	Power input	kW	2.25
Pressure difference (Water circuit)		kPa	-
Heating pump input (Based on EN14511)		kW	-
Nominal water flow rate (Cooling mode)		L/min	-
Cooling (A35/W7)	Capacity	kW	-
	EER (COP)		-
	Power input	kW	-
Cooling (A35/W18)	Capacity	kW	-
	EER (COP)		-
	Power input	kW	-
Pressure difference (Water circuit)		kPa	-
Cooling pump input (Based on EN14511)		kW	-
Recommended plate heat exchanger		MWA1-44DM	MWA1-44DM

The table shows performance data obtained when a plate heat exchanger is connected.

MODEL NAME		PUD-SHWM80VAA(-BS)	PUD-SHWM80YAA(-BS)
Nominal water flow rate (Heating mode)		L/min	17.2
Heating (A7/W35)	Capacity	kW	6.00
	COP		5.03
	Power input	kW	1.19
Heating (A2/W35)	Capacity	kW	8.00
	COP		3.75
	Power input	kW	2.13
Pressure difference (Water circuit)		kPa	-
Heating pump input (Based on EN14511)		kW	-
Nominal water flow rate (Cooling mode)		L/min	-
Cooling (A35/W7)	Capacity	kW	-
	EER (COP)		-
	Power input	kW	-
Cooling (A35/W18)	Capacity	kW	-
	EER (COP)		-
	Power input	kW	-
Pressure difference (Water circuit)		kPa	-
Cooling pump input (Based on EN14511)		kW	-
Recommended plate heat exchanger		MWA1-44DM	MWA1-44DM

The table shows performance data obtained when a plate heat exchanger is connected.

MODEL NAME		PUD-SWM100VAA(-BS)	PUD-SWM100YAA(-BS)	
Nominal water flow rate (Heating mode)		L/min	22.9	22.9
Heating (A7/W35)	Capacity	kW	8.00	8.00
	COP		5.00	5.00
	Power input	kW	1.60	1.60
Heating (A2/W35)	Capacity	kW	10.00	10.00
	COP		3.30	3.30
	Power input	kW	3.03	3.03
Pressure difference (Water circuit)		kPa	-	-
Heating pump input (Based on EN14511)		kW	-	-
Nominal water flow rate (Cooling mode)		L/min	-	-
Cooling (A35/W7)	Capacity	kW	-	-
	EER (COP)		-	-
	Power input	kW	-	-
Cooling (A35/W18)	Capacity	kW	-	-
	EER (COP)		-	-
	Power input	kW	-	-
Pressure difference (Water circuit)		kPa	-	-
Cooling pump input (Based on EN14511)		kW	-	-
Recommended plate heat exchanger		MWA1-44DM	MWA1-44DM	

The table shows performance data obtained when a plate heat exchanger is connected.

MODEL NAME		PUD-SHWM100VAA(-BS)	PUD-SHWM100YAA(-BS)	
Nominal water flow rate (Heating mode)		L/min	22.9	22.9
Heating (A7/W35)	Capacity	kW	8.00	8.00
	COP		5.00	5.00
	Power input	kW	1.60	1.60
Heating (A2/W35)	Capacity	kW	10.00	10.00
	COP		3.45	3.45
	Power input	kW	2.90	2.90
Pressure difference (Water circuit)		kPa	-	-
Heating pump input (Based on EN14511)		kW	-	-
Nominal water flow rate (Cooling mode)		L/min	-	-
Cooling (A35/W7)	Capacity	kW	-	-
	EER (COP)		-	-
	Power input	kW	-	-
Cooling (A35/W18)	Capacity	kW	-	-
	EER (COP)		-	-
	Power input	kW	-	-
Pressure difference (Water circuit)		kPa	-	-
Cooling pump input (Based on EN14511)		kW	-	-
Recommended plate heat exchanger		MWA1-44DM	MWA1-44DM	

The table shows performance data obtained when a plate heat exchanger is connected.

MODEL NAME		PUD-SWM120VAA(-BS)	PUD-SWM120YAA(-BS)
Nominal water flow rate (Heating mode)		L/min	28.7
Heating (A7/W35)	Capacity	kW	10.00
	COP		4.70
	Power input	kW	2.13
Heating (A2/W35)	Capacity	kW	12.00
	COP		3.24
	Power input	kW	3.70
Pressure difference (Water circuit)		kPa	-
Heating pump input (Based on EN14511)		kW	-
Nominal water flow rate (Cooling mode)		L/min	-
Cooling (A35/W7)	Capacity	kW	-
	EER (COP)		-
	Power input	kW	-
Cooling (A35/W18)	Capacity	kW	-
	EER (COP)		-
	Power input	kW	-
Pressure difference (Water circuit)		kPa	-
Cooling pump input (Based on EN14511)		kW	-
Recommended plate heat exchanger		MWA1-44DM	MWA1-44DM

The table shows performance data obtained when a plate heat exchanger is connected.

MODEL NAME		PUD-SHWM120VAA(-BS)	PUD-SHWM120YAA(-BS)
Nominal water flow rate (Heating mode)		L/min	28.7
Heating (A7/W35)	Capacity	kW	10.00
	COP		4.80
	Power input	kW	2.08
Heating (A2/W35)	Capacity	kW	12.00
	COP		3.30
	Power input	kW	3.64
Pressure difference (Water circuit)		kPa	-
Heating pump input (Based on EN14511)		kW	-
Nominal water flow rate (Cooling mode)		L/min	-
Cooling (A35/W7)	Capacity	kW	-
	EER (COP)		-
	Power input	kW	-
Cooling (A35/W18)	Capacity	kW	-
	EER (COP)		-
	Power input	kW	-
Pressure difference (Water circuit)		kPa	-
Cooling pump input (Based on EN14511)		kW	-
Recommended plate heat exchanger		MWA1-44DM	MWA1-44DM

The table shows performance data obtained when a plate heat exchanger is connected.

MODEL NAME			PUD-SWM140VAA(-BS)	PUD-SWM140YAA(-BS)
Nominal water flow rate (Heating mode)		L/min	34.4	34.4
Heating (A7/W35)	Capacity	kW	12.00	12.00
	COP		4.70	4.70
	Power input	kW	2.55	2.55
Heating (A2/W35)	Capacity	kW	14.00	14.00
	COP		3.05	3.05
	Power input	kW	4.59	4.59
Pressure difference (Water circuit)		kPa	-	-
Heating pump input (Based on EN14511)		kW	-	-
Nominal water flow rate (Cooling mode)		L/min	-	-
Cooling (A35/W7)	Capacity	kW	-	-
	EER (COP)		-	-
	Power input	kW	-	-
Cooling (A35/W18)	Capacity	kW	-	-
	EER (COP)		-	-
	Power input	kW	-	-
Pressure difference (Water circuit)		kPa	-	-
Cooling pump input (Based on EN14511)		kW	-	-
Recommended plate heat exchanger			MWA1-44DM	MWA1-44DM

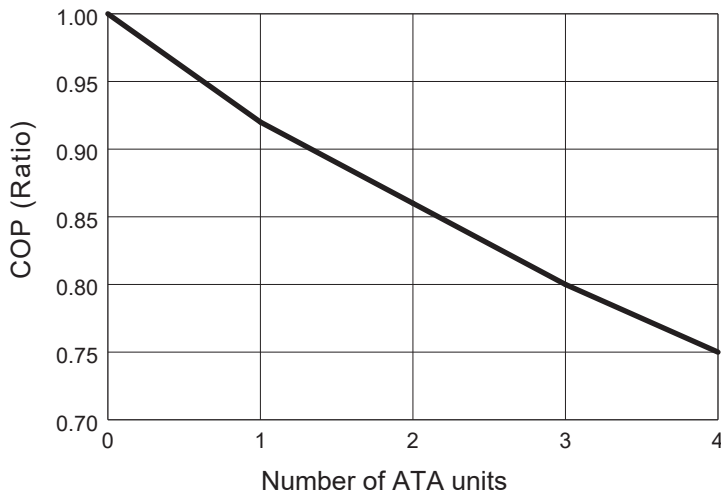
The table shows performance data obtained when a plate heat exchanger is connected.

MODEL NAME			PXZ-4F75VG	PXZ-5F85VG
Nominal water flow rate (Heating mode)		L/min	21.7	24.6
Heating (A7/W35)	Capacity	kW	7.5	8.5
	COP*		4.17	4.34
	Power input	kW	1.80	1.96
Heating (A2/W35)	Capacity	kW	6.8	7.8
	COP*		2.80	3.00
	Power input	kW	2.43	2.60
Pressure difference (Water circuit)		kPa	-	-
Heating pump input (Based on EN14511)		kW	-	-
Nominal water flow rate (Cooling mode)		L/min	-	-
Cooling (A35/W7)	Capacity	kW	-	-
	EER (COP)		-	-
	Power input	kW	-	-
Cooling (A35/W18)	Capacity	kW	-	-
	EER (COP)		-	-
	Power input	kW	-	-
Pressure difference (Water circuit)		kPa	-	-
Cooling pump input (Based on EN14511)		kW	-	-
Recommended plate heat exchanger			MWA1-44DM	MWA1-44DM

The table shows performance data obtained when a plate heat exchanger is connected.

* In case of ATW unit single connection, the COP for ATW heating decreases depending on the number of connected ATA units. (Refer to the figure below.)

ATW COP reduction ratio by ATA indoor units



Number of ATA units	0	1	2	3	4
COP (Ratio)	1.00	0.92	0.86	0.80	0.75

Outdoor unit	Indoor unit	For medium-temperature application								For low-temperature application							
		Seasonal space heating energy efficiency class	Water heating energy efficiency class	Rated heat output under average climate conditions		Seasonal space heating energy efficiency under average climate conditions		Water heating energy efficiency under average climate conditions		Seasonal space heating energy efficiency class	Water heating energy efficiency class	Rated heat output under average climate conditions		Seasonal space heating energy efficiency under average climate conditions		Water heating energy efficiency under average climate conditions	
				kW	%	%	%	dB indoor	dB outdoor			kW	%	%	%	dB indoor	dB outdoor
SUZ-SWM40VA	EHST17D-***D	A ⁺⁺	A ⁺	4.6	129	148	41	58	A ⁺⁺⁺	A ⁺	5.1	180	148	41	58		
	ERST17D-***D	A ⁺⁺	A ⁺	4.6	132	148	41	58	A ⁺⁺⁺	A ⁺	5.1	187	148	41	58		
	EHST20D-***D	A ⁺⁺	A ⁺	4.6	129	159	41	58	A ⁺⁺⁺	A ⁺	5.1	180	159	41	58		
	ERST20D-***D	A ⁺⁺	A ⁺	4.6	132	159	41	58	A ⁺⁺⁺	A ⁺	5.1	187	159	41	58		
	EHST30D-***D	A ⁺⁺	A ⁺	4.6	129	128	41	58	A ⁺⁺⁺	A ⁺	5.1	180	128	41	58		
	ERST30D-***D	A ⁺⁺	A ⁺	4.6	132	128	41	58	A ⁺⁺⁺	A ⁺	5.1	187	128	41	58		
	EHSD-***D	A ⁺⁺	-	4.6	129	-	41	58	A ⁺⁺⁺	-	5.1	180	-	41	58		
	ERSD-***D	A ⁺⁺	-	4.6	132	-	41	58	A ⁺⁺⁺	-	5.1	187	-	41	58		
SUZ-SWM60VA	EHST17D-***D	A ⁺⁺	A ⁺	6.0	130	144	41	60	A ⁺⁺⁺	A ⁺	6.6	181	144	41	60		
	ERST17D-***D	A ⁺⁺	A ⁺	6.0	133	144	41	60	A ⁺⁺⁺	A ⁺	6.6	187	144	41	60		
	EHST20D-***D	A ⁺⁺	A ⁺	6.0	130	148	41	60	A ⁺⁺⁺	A ⁺	6.6	181	148	41	60		
	ERST20D-***D	A ⁺⁺	A ⁺	6.0	133	148	41	60	A ⁺⁺⁺	A ⁺	6.6	187	148	41	60		
	EHST30D-***D	A ⁺⁺	A ⁺	6.0	130	128	41	60	A ⁺⁺⁺	A ⁺	6.6	181	128	41	60		
	ERST30D-***D	A ⁺⁺	A ⁺	6.0	133	128	41	60	A ⁺⁺⁺	A ⁺	6.6	187	128	41	60		
	EHSD-***D	A ⁺⁺	-	6.0	130	-	41	60	A ⁺⁺⁺	-	6.6	181	-	41	60		
	ERSD-***D	A ⁺⁺	-	6.0	133	-	41	60	A ⁺⁺⁺	-	6.6	187	-	41	60		
SUZ-SWM80VA	EHST17D-***D	A ⁺⁺	A ⁺	7.1	131	144	41	62	A ⁺⁺⁺	A ⁺	7.1	182	144	41	62		
	ERST17D-***D	A ⁺⁺	A ⁺	7.1	133	144	41	62	A ⁺⁺⁺	A ⁺	7.1	187	144	41	62		
	EHST20D-***D	A ⁺⁺	A ⁺	7.1	131	148	41	62	A ⁺⁺⁺	A ⁺	7.1	182	148	41	62		
	ERST20D-***D	A ⁺⁺	A ⁺	7.1	133	148	41	62	A ⁺⁺⁺	A ⁺	7.1	187	148	41	62		
	EHST30D-***D	A ⁺⁺	A ⁺	7.1	131	128	41	62	A ⁺⁺⁺	A ⁺	7.1	182	128	41	62		
	ERST30D-***D	A ⁺⁺	A ⁺	7.1	133	128	41	62	A ⁺⁺⁺	A ⁺	7.1	187	128	41	62		
	EHSD-***D	A ⁺⁺	-	7.1	131	-	41	62	A ⁺⁺⁺	-	7.1	182	-	41	62		
	ERSD-***D	A ⁺⁺	-	7.1	133	-	41	62	A ⁺⁺⁺	-	7.1	187	-	41	62		
SUZ-SWM30VA	EHST17D-****D	A ⁺⁺	A ⁺	4.0	130	147	41	57	A ⁺⁺⁺	A ⁺	4.0	191	147	41	57		
	ERST17D-****D	A ⁺⁺	A ⁺	4.0	133	147	41	57	A ⁺⁺⁺	A ⁺	4.0	195	147	41	57		
	EHST20D-****D	A ⁺⁺	A ⁺	4.0	130	147	41	57	A ⁺⁺⁺	A ⁺	4.0	191	147	41	57		
	ERST20D-****D	A ⁺⁺	A ⁺	4.0	133	147	41	57	A ⁺⁺⁺	A ⁺	4.0	195	147	41	57		
	EHST30D-****D	A ⁺⁺	A ⁺	4.0	130	130	41	57	A ⁺⁺⁺	A ⁺	4.0	191	130	41	57		
	ERST30D-****D	A ⁺⁺	A ⁺	4.0	133	130	41	57	A ⁺⁺⁺	A ⁺	4.0	195	130	41	57		
	EHSD-****D	A ⁺⁺	-	4.0	130	-	41	57	A ⁺⁺⁺	-	4.0	191	-	41	57		
	ERSD-****D	A ⁺⁺	-	4.0	133	-	41	57	A ⁺⁺⁺	-	4.0	195	-	41	57		
SUZ-SHWM30VAH	EHST17D-****D	A ⁺	A ⁺	4.0	124	147	41	57	A ⁺⁺⁺	A ⁺	4.0	180	147	41	57		
	ERST17D-****D	A ⁺⁺	A ⁺	4.0	126	147	41	57	A ⁺⁺⁺	A ⁺	4.0	184	147	41	57		
	EHST20D-****D	A ⁺	A ⁺	4.0	124	147	41	57	A ⁺⁺⁺	A ⁺	4.0	180	147	41	57		
	ERST20D-****D	A ⁺⁺	A ⁺	4.0	126	147	41	57	A ⁺⁺⁺	A ⁺	4.0	184	147	41	57		
	EHST30D-****D	A ⁺	A ⁺	4.0	124	130	41	57	A ⁺⁺⁺	A ⁺	4.0	180	130	41	57		
	ERST30D-****D	A ⁺⁺	A ⁺	4.0	126	130	41	57	A ⁺⁺⁺	A ⁺	4.0	184	130	41	57		
	EHSD-****D	A ⁺	-	4.0	124	-	41	57	A ⁺⁺⁺	-	4.0	180	-	41	57		
	ERSD-****D	A ⁺⁺	-	4.0	126	-	41	57	A ⁺⁺⁺	-	4.0	184	-	41	57		

Note: E**T17/20*-***D use "Load profile L".
E**T30*-***D use "Load profile XL".

Outdoor unit	Indoor unit	For medium-temperature application							For low-temperature application						
		Seasonal space heating energy efficiency class	Water heating energy efficiency class	Rated heat output under average climate conditions	Seasonal space heating energy efficiency under average climate conditions	Water heating energy efficiency under average climate conditions	Sound power level LWA indoor	Sound power level LWA outdoor	Seasonal space heating energy efficiency class	Water heating energy efficiency class	Rated heat output under average climate conditions	Seasonal space heating energy efficiency under average climate conditions	Water heating energy efficiency under average climate conditions	Sound power level LWA indoor	Sound power level LWA outdoor
SUZ-SWM40VA2(-SC)	EHST17D-****D	A++	A+	5.0	133	147	41	57	A+++	A+	5.0	196	147	41	57
	ERST17D-****D	A++	A+	5.0	135	147	41	57	A+++	A+	5.0	200	147	41	57
	EHST20D-****D	A++	A+	5.0	133	147	41	57	A+++	A+	5.0	196	147	41	57
	ERST20D-****D	A++	A+	5.0	135	147	41	57	A+++	A+	5.0	200	147	41	57
	EHST30D-****D	A++	A+	5.0	133	130	41	57	A+++	A+	5.0	196	130	41	57
	ERST30D-****D	A++	A+	5.0	135	130	41	57	A+++	A+	5.0	200	130	41	57
	EHSD-****D	A++	-	5.0	133	-	41	57	A+++	-	5.0	196	-	41	57
	ERSD-****D	A++	-	5.0	135	-	41	57	A+++	-	5.0	200	-	41	57
SUZ-SHWM40VAH(-SC)	EHST17D-****D	A+	A+	5.0	124	139	41	58	A++	A+	5.0	172	139	41	58
	ERST17D-****D	A++	A+	5.0	126	139	41	58	A+++	A+	5.0	176	139	41	58
	EHST20D-****D	A+	A+	5.0	124	142	41	58	A++	A+	5.0	172	142	41	58
	ERST20D-****D	A++	A+	5.0	126	142	41	58	A+++	A+	5.0	176	142	41	58
	EHST30D-****D	A+	A+	5.0	124	128	41	58	A++	A+	5.0	172	128	41	58
	ERST30D-****D	A++	A+	5.0	126	128	41	58	A+++	A+	5.0	176	128	41	58
	EHSD-****D	A+	-	5.0	124	-	41	58	A++	-	5.0	172	-	41	58
	ERSD-****D	A++	-	5.0	126	-	41	58	A+++	-	5.0	176	-	41	58
SUZ-SWM60VA2(-SC)	EHST17D-****D	A++	A+	6.0	134	139	41	60	A+++	A+	6.0	185	139	41	60
	ERST17D-****D	A++	A+	6.0	136	139	41	60	A+++	A+	6.0	189	139	41	60
	EHST20D-****D	A++	A+	6.0	134	142	41	60	A+++	A+	6.0	185	142	41	60
	ERST20D-****D	A++	A+	6.0	136	142	41	60	A+++	A+	6.0	189	142	41	60
	EHST30D-****D	A++	A+	6.0	134	128	41	60	A+++	A+	6.0	185	128	41	60
	ERST30D-****D	A++	A+	6.0	136	128	41	60	A+++	A+	6.0	189	128	41	60
	EHSD-****D	A++	-	6.0	134	-	41	60	A+++	-	6.0	185	-	41	60
	ERSD-****D	A++	-	6.0	136	-	41	60	A+++	-	6.0	189	-	41	60
SUZ-SHWM60VAH(-SC)	EHST17D-****D	A++	A+	6.0	126	145	41	60	A+++	A+	6.0	175	145	41	60
	ERST17D-****D	A++	A+	6.0	128	145	41	60	A+++	A+	6.0	178	145	41	60
	EHST20D-****D	A++	A+	6.0	126	144	41	60	A+++	A+	6.0	175	144	41	60
	ERST20D-****D	A++	A+	6.0	128	144	41	60	A+++	A+	6.0	178	144	41	60
	EHST30D-****D	A++	A+	6.0	126	139	41	60	A+++	A+	6.0	175	139	41	60
	ERST30D-****D	A++	A+	6.0	128	139	41	60	A+++	A+	6.0	178	139	41	60
	EHSD-****D	A++	-	6.0	126	-	41	60	A+++	-	6.0	175	-	41	60
	ERSD-****D	A++	-	6.0	128	-	41	60	A+++	-	6.0	178	-	41	60
SUZ-SWM80VA2	EHST17D-****D	A++	A+	7.0	133	145	41	60	A+++	A+	7.0	183	145	41	60
	ERST17D-****D	A++	A+	7.0	135	145	41	60	A+++	A+	7.0	187	145	41	60
	EHST20D-****D	A++	A+	7.0	133	144	41	60	A+++	A+	7.0	183	144	41	60
	ERST20D-****D	A++	A+	7.0	135	144	41	60	A+++	A+	7.0	187	144	41	60
	EHST30D-****D	A++	A+	7.0	133	139	41	60	A+++	A+	7.0	183	139	41	60
	ERST30D-****D	A++	A+	7.0	135	139	41	60	A+++	A+	7.0	187	139	41	60
	EHSD-****D	A++	-	7.0	133	-	41	60	A+++	-	7.0	183	-	41	60
	ERSD-****D	A++	-	7.0	135	-	41	60	A+++	-	7.0	187	-	41	60

Note: E**T17/20*-****D use "Load profile L".
E**T30*-****D use "Load profile XL".

Outdoor unit	Indoor unit	For medium-temperature application								For low-temperature application									
		Seasonal space heating energy efficiency class	Water heating energy efficiency class	Rated heat output under average climate conditions		Seasonal space heating energy efficiency under average climate conditions		Water heating energy efficiency under average climate conditions		Sound power level LWA indoor	Sound power level LWA outdoor	Seasonal space heating energy efficiency class	Water heating energy efficiency class	Rated heat output under average climate conditions		Seasonal space heating energy efficiency under average climate conditions		Water heating energy efficiency under average climate conditions	
				kW	%	%	%	dB	dB					kW	%	%	%	dB	dB
SUZ-SWM80VAH2	EHST17D-****D	A ⁺⁺	A ⁺	7.0	128	145	41	60	A ⁺⁺⁺	A ⁺	7.0	175	145	41	60				
	ERST17D-****D	A ⁺⁺	A ⁺	7.0	130	145	41	60	A ⁺⁺⁺	A ⁺	7.0	178	145	41	60				
	EHST20D-****D	A ⁺⁺	A ⁺	7.0	128	144	41	60	A ⁺⁺⁺	A ⁺	7.0	175	144	41	60				
	ERST20D-****D	A ⁺⁺	A ⁺	7.0	130	144	41	60	A ⁺⁺⁺	A ⁺	7.0	178	144	41	60				
	EHST30D-****D	A ⁺⁺	A ⁺	7.0	128	139	41	60	A ⁺⁺⁺	A ⁺	7.0	175	139	41	60				
	ERST30D-****D	A ⁺⁺	A ⁺	7.0	130	139	41	60	A ⁺⁺⁺	A ⁺	7.0	178	139	41	60				
	EHSD-****D	A ⁺⁺	-	7.0	128	-	41	60	A ⁺⁺⁺	-	7.0	175	-	41	60				
	ERSD-****D	A ⁺⁺	-	7.0	130	-	41	60	A ⁺⁺⁺	-	7.0	178	-	41	60				
SUZ-SWM100VA	EHST17D-****D	A ⁺⁺	A ⁺	8.0	133	145	41	62	A ⁺⁺⁺	A ⁺	8.0	179	145	41	62				
	ERST17D-****D	A ⁺⁺	A ⁺	8.0	134	145	41	62	A ⁺⁺⁺	A ⁺	8.0	182	145	41	62				
	EHST20D-****D	A ⁺⁺	A ⁺	8.0	133	144	41	62	A ⁺⁺⁺	A ⁺	8.0	179	144	41	62				
	ERST20D-****D	A ⁺⁺	A ⁺	8.0	134	144	41	62	A ⁺⁺⁺	A ⁺	8.0	182	144	41	62				
	EHST30D-****D	A ⁺⁺	A ⁺	8.0	133	139	41	62	A ⁺⁺⁺	A ⁺	8.0	179	139	41	62				
	ERST30D-****D	A ⁺⁺	A ⁺	8.0	134	139	41	62	A ⁺⁺⁺	A ⁺	8.0	182	139	41	62				
	EHSD-****D	A ⁺⁺	-	8.0	133	-	41	62	A ⁺⁺⁺	-	8.0	179	-	41	62				
	ERSD-****D	A ⁺⁺	-	8.0	134	-	41	62	A ⁺⁺⁺	-	8.0	182	-	41	62				
SUZ-SWM100VAH	EHST17D-****D	A ⁺⁺	A ⁺	8.0	127	145	41	62	A ⁺⁺	A ⁺	8.0	174	145	41	62				
	ERST17D-****D	A ⁺⁺	A ⁺	8.0	129	145	41	62	A ⁺⁺⁺	A ⁺	8.0	177	145	41	62				
	EHST20D-****D	A ⁺⁺	A ⁺	8.0	127	144	41	62	A ⁺⁺	A ⁺	8.0	174	144	41	62				
	ERST20D-****D	A ⁺⁺	A ⁺	8.0	129	144	41	62	A ⁺⁺⁺	A ⁺	8.0	177	144	41	62				
	EHST30D-****D	A ⁺⁺	A ⁺	8.0	127	139	41	62	A ⁺⁺	A ⁺	8.0	174	139	41	62				
	ERST30D-****D	A ⁺⁺	A ⁺	8.0	129	139	41	62	A ⁺⁺⁺	A ⁺	8.0	177	139	41	62				
	EHSD-****D	A ⁺⁺	-	8.0	127	-	41	62	A ⁺⁺	-	8.0	174	-	41	62				
	ERSD-****D	A ⁺⁺	-	8.0	129	-	41	62	A ⁺⁺⁺	-	8.0	177	-	41	62				
PUD-SWM60VAA(-BS)	E*ST17D-***D	A ⁺⁺	A ⁺	6.0	130	136	41	55	A ⁺⁺⁺	A ⁺	6.0	175	136	41	55				
	E*ST20D-***D	A ⁺⁺	A ⁺	6.0	130	148	41	55	A ⁺⁺⁺	A ⁺	6.0	175	148	41	55				
	E*ST30D-***D	A ⁺⁺	A	6.0	130	121	41	55	A ⁺⁺⁺	A	6.0	175	121	41	55				
	E*SD-***D	A ⁺⁺	-	6.0	130	-	41	55	A ⁺⁺⁺	-	6.0	175	-	41	55				
PUD-SWM80V/YAA(-BS)	E*ST17D-***D	A ⁺⁺	A ⁺	8.0	131/130	136	41	56	A ⁺⁺⁺	A ⁺	8.0	178/176	136	41	56				
	E*ST20D-***D	A ⁺⁺	A ⁺	8.0	131/130	148	41	56	A ⁺⁺⁺	A ⁺	8.0	178/176	148	41	56				
	E*ST30D-***D	A ⁺⁺	A	8.0	131/130	121	41	56	A ⁺⁺⁺	A	8.0	178/176	121	41	56				
	E*SD-***D	A ⁺⁺	-	8.0	131/130	-	41	56	A ⁺⁺⁺	-	8.0	178/176	-	41	56				
PUD-SWM100V/YAA(-BS)	E*ST20D-***D	A ⁺⁺	A ⁺	10.0	131/130	148	41	59	A ⁺⁺⁺	A ⁺	10.0	178/177	148	41	59				
	E*ST30D-***D	A ⁺⁺	A	10.0	131/130	121	41	59	A ⁺⁺⁺	A	10.0	178/177	121	41	59				
	E*SD-***D	A ⁺⁺	-	10.0	131/130	-	41	59	A ⁺⁺⁺	-	10.0	178/177	-	41	59				
PUD-SWM120V/YAA(-BS)	E*ST20D-***D	A ⁺⁺	A ⁺	12.0	129/128	148	41	60	A ⁺⁺⁺	A ⁺	12.0	177/176	148	41	60				
	E*ST30D-***D	A ⁺⁺	A	12.0	129/128	121	41	60	A ⁺⁺⁺	A	12.0	177/176	121	41	60				
	E*SD-***D	A ⁺⁺	-	12.0	129/128	-	41	60	A ⁺⁺⁺	-	12.0	177/176	-	41	60				
PUD-SHWM60VAA(-BS)	E*ST17D-***D	A ⁺⁺	A ⁺	6.0	134	136	41	55	A ⁺⁺⁺	A ⁺	6.0	178	136	41	55				
	E*ST20D-***D	A ⁺⁺	A ⁺	6.0	134	148	41	55	A ⁺⁺⁺	A ⁺	6.0	178	148	41	55				
	E*ST30D-***D	A ⁺⁺	A	6.0	134	121	41	55	A ⁺⁺⁺	A	6.0	178	121	41	55				
	E*SD-***D	A ⁺⁺	-	6.0	134	-	41	55	A ⁺⁺⁺	-	6.0	178	-	41	55				
PUD-SHWM80V/YAA(-BS)	E*ST17D-***D	A ⁺⁺	A ⁺	8.0	135/134	136	41	56	A ⁺⁺⁺	A ⁺	8.0	181/179	136	41	56				
	E*ST20D-***D	A ⁺⁺	A ⁺	8.0	135/134	148	41	56	A ⁺⁺⁺	A ⁺	8.0	181/179	148	41	56				
	E*ST30D-***D	A ⁺⁺	A	8.0	135/134	121	41	56	A ⁺⁺⁺	A	8.0	181/179	121	41	56				
	E*SD-***D	A ⁺⁺	-	8.0	135/134	-	41	56	A ⁺⁺⁺	-	8.0	181/179	-	41	56				

Note: E**T17/20*-*D use "Load profile L".
E**T30*-*D use "Load profile XL".

Outdoor unit	Indoor unit	For medium-temperature application							For low-temperature application										
		Seasonal space heating energy efficiency class	Water heating energy efficiency class	Rated heat output under average climate conditions		Seasonal space heating energy efficiency under average climate conditions		Water heating energy efficiency under average climate conditions	Sound power level LWA indoor	Sound power level LWA outdoor	Seasonal space heating energy efficiency class	Water heating energy efficiency class	Rated heat output under average climate conditions		Seasonal space heating energy efficiency under average climate conditions		Water heating energy efficiency under average climate conditions	Sound power level LWA indoor	Sound power level LWA outdoor
				kW	%	%	%						kW	%	%	%			
PUD-SHWM100V/YAA(-BS)	E*ST20D-***D	A ⁺⁺	A ⁺	10.0	136/135	148	41	59	A ⁺⁺⁺	A ⁺	10.0	180/178	148	41	59				
	E*ST30D-***D	A ⁺⁺	A	10.0	136/135	121	41	59	A ⁺⁺⁺	A	10.0	180/178	121	41	59				
	E*SD-***D	A ⁺⁺	-	10.0	136/135	-	41	59	A ⁺⁺⁺	-	10.0	180/178	-	41	59				
PUD-SHWM120V/YAA(-BS)	E*ST20D-***D	A ⁺⁺	A ⁺	12.0	135/134	148	41	60	A ⁺⁺⁺	A ⁺	12.0	179/177	148	41	60				
	E*ST30D-***D	A ⁺⁺	A	12.0	135/134	121	41	60	A ⁺⁺⁺	A	12.0	179/177	121	41	60				
	E*SD-***D	A ⁺⁺	-	12.0	135/134	-	41	60	A ⁺⁺⁺	-	12.0	179/177	-	41	60				
PUD-SHWM140V/YAA(-BS)	E*ST20D-***D	A ⁺⁺	A ⁺	14.0	134/134	145	41	62	A ⁺⁺⁺	A ⁺	14.0	179/177	145	41	62				
	E*ST30D-***D	A ⁺⁺	A	14.0	134/134	121	41	62	A ⁺⁺⁺	A	14.0	179/177	121	41	62				
	E*SD-***D	A ⁺⁺	-	14.0	134/134	-	41	62	A ⁺⁺⁺	-	14.0	179/177	-	41	62				
PUHZ-SW75V/YAA(-BS)	EHST17D-***D	A ⁺⁺	A ⁺	7.1	129/128	136	41	58	A ⁺⁺	A ⁺	7.2	162/160	136	41	58				
	ERST17D-***D	A ⁺⁺	A ⁺	7.1	132/132	136	41	58	A ⁺⁺	A ⁺	7.2	166/165	136	41	58				
	EHST20D-***D	A ⁺⁺	A ⁺	7.1	129/128	145	41	58	A ⁺⁺	A ⁺	7.2	162/160	145	41	58				
	ERST20D-***D	A ⁺⁺	A ⁺	7.1	132/132	145	41	58	A ⁺⁺	A ⁺	7.2	166/165	145	41	58				
	EHST30D-***D	A ⁺⁺	A	7.1	129/128	120	41	58	A ⁺⁺	A	7.2	162/160	120	41	58				
	ERST30D-***D	A ⁺⁺	A	7.1	132/132	120	41	58	A ⁺⁺	A	7.2	166/165	120	41	58				
	EHSD-***D	A ⁺⁺	-	7.1	129/128	-	41	58	A ⁺⁺	-	7.2	162/160	-	41	58				
	ERSD-***D	A ⁺⁺	-	7.1	132/132	-	41	58	A ⁺⁺	-	7.2	166/165	-	41	58				
PUHZ-SW100V/YAA(-BS)	EHST20C-***D	A ⁺⁺	A ⁺	10.0	130/129	145	40	60	A ⁺⁺	A ⁺	10.6	167/165	145	40	60				
	ERST20C-***D	A ⁺⁺	A ⁺	10.0	132/132	145	40	60	A ⁺⁺	A ⁺	10.6	170/169	145	40	60				
	EHST30C-***D	A ⁺⁺	A	10.0	130/129	120	40	60	A ⁺⁺	A	10.6	167/165	120	40	60				
	ERST30C-***D	A ⁺⁺	A	10.0	132/132	120	40	60	A ⁺⁺	A	10.6	170/169	120	40	60				
	EHSC-***D	A ⁺⁺	-	10.0	130/129	-	40	60	A ⁺⁺	-	10.6	167/165	-	40	60				
	ERSC-***D	A ⁺⁺	-	10.0	132/132	-	40	60	A ⁺⁺	-	10.6	170/169	-	40	60				
PUHZ-SW120V/YHA(-BS)	EHST20C-***D	A ⁺⁺	A ⁺	12.1	125/125	138	40	72	A ⁺⁺	A ⁺	12.9	162/162	138	40	72				
	ERST20C-***D	A ⁺⁺	A ⁺	12.1	127/127	138	40	72	A ⁺⁺	A ⁺	12.9	164/164	138	40	72				
	EHST30C-***D	A ⁺⁺	A	12.1	125/125	118	40	72	A ⁺⁺	A	12.9	162/162	118	40	72				
	ERST30C-***D	A ⁺⁺	A	12.1	127/127	118	40	72	A ⁺⁺	A	12.9	164/164	118	40	72				
	EHSC-***D	A ⁺⁺	-	12.1	125/125	-	40	72	A ⁺⁺	-	12.9	162/162	-	40	72				
	ERSC-***D	A ⁺⁺	-	12.1	127/127	-	40	72	A ⁺⁺	-	12.9	164/164	-	40	72				
PUHZ-SW160YKA(-BS)	EHSE-***D	A ⁺⁺	-	13.5	125	-	45	78	A ⁺⁺	-	15.3	151	-	45	78				
	ERSE-***D	A ⁺⁺	-	13.5	126	-	45	78	A ⁺⁺	-	15.3	152	-	45	78				
PUHZ-SW200YKA(-BS)	EHSE-***D	A ⁺⁺	-	15.5	127	-	45	78	A ⁺⁺	-	17.3	147	-	45	78				
	ERSE-***D	A ⁺⁺	-	15.5	129	-	45	78	A ⁺⁺	-	17.3	148	-	45	78				
PUHZ-SHW80V/YAA(-BS)	EHST20C-***D	A ⁺⁺	A ⁺	9.0	133/132	145	40	59	A ⁺⁺	A ⁺	9.6	169/167	145	40	59				
	ERST20C-***D	A ⁺⁺	A ⁺	9.0	135/134	145	40	59	A ⁺⁺	A ⁺	9.6	172/172	145	40	59				
	EHST30C-***D	A ⁺⁺	A	9.0	133/132	120	40	59	A ⁺⁺	A	9.6	169/167	120	40	59				
	ERST30C-***D	A ⁺⁺	A	9.0	135/134	120	40	59	A ⁺⁺	A	9.6	172/172	120	40	59				
	EHSC-***D	A ⁺⁺	-	9.0	133/132	-	40	59	A ⁺⁺	-	9.6	169/167	-	40	59				
	ERSC-***D	A ⁺⁺	-	9.0	135/134	-	40	59	A ⁺⁺	-	9.6	172/172	-	40	59				
PUHZ-SHW112V/YAA(-BS)	EHST20C-***D	A ⁺⁺	A ⁺	12.7	135/135	145	40	60	A ⁺⁺	A ⁺	13.9	171/169	145	40	60				
	ERST20C-***D	A ⁺⁺	A ⁺	12.7	137/137	145	40	60	A ⁺⁺	A ⁺	13.9	173/173	145	40	60				
	EHST30C-***D	A ⁺⁺	A	12.7	135/135	120	40	60	A ⁺⁺	A	13.9	171/169	120	40	60				
	ERST30C-***D	A ⁺⁺	A	12.7	137/137	120	40	60	A ⁺⁺	A	13.9	173/173	120	40	60				
	EHSC-***D	A ⁺⁺	-	12.7	135/135	-	40	60	A ⁺⁺	-	13.9	171/169	-	40	60				
	ERSC-***D	A ⁺⁺	-	12.7	137/137	-	40	60	A ⁺⁺	-	13.9	173/173	-	40	60				

Note: E**T17/20*-***D use "Load profile L".
E**T30*-***D use "Load profile XL".

Outdoor unit	Indoor unit	For medium-temperature application							For low-temperature application										
		Seasonal space heating energy efficiency class	Water heating energy efficiency class	Rated heat output under average climate conditions		Seasonal space heating energy efficiency under average climate conditions		Water heating energy efficiency under average climate conditions	Sound power level LWA indoor	Sound power level LWA outdoor	Seasonal space heating energy efficiency class	Water heating energy efficiency class	Rated heat output under average climate conditions		Seasonal space heating energy efficiency under average climate conditions		Water heating energy efficiency under average climate conditions	Sound power level LWA indoor	Sound power level LWA outdoor
				kW	%	%	%						kW	%	%	%			
PUHZ-SHW140YHA	EHST20C-***D	A++	A+	15.8	127	138	40	70	A++	A+	17.0	163	138	40	70				
	ERST20C-***D	A++	A+	15.8	128	138	40	70	A++	A+	17.0	165	138	40	70				
	EHST30C-***D	A++	A	15.8	127	118	40	70	A++	A	17.0	163	118	40	70				
	ERST30C-***D	A++	A	15.8	128	118	40	70	A++	A	17.0	165	118	40	70				
	EHSC-***D	A++	-	15.8	127	-	40	70	A++	-	17.0	163	-	40	70				
	ERSC-***D	A++	-	15.8	128	-	40	70	A++	-	17.0	165	-	40	70				
PUHZ-SHW230YKA2	EHSE-***D	A++	-	23.0	127	-	45	75	A++	-	25.0	164	-	45	75				
	ERSE-***D	A++	-	23.0	128	-	45	75	A++	-	25.0	165	-	45	75				
PUZ-WM50VHA(-BS)	EHPT17X-***D(W)	A++	A+	5.0	129	120	40	61	A+++	A+	5.0	183	120	40	61				
	ERPT17X-***D(W)	A++	A+	5.0	133	120	40	61	A+++	A+	5.0	190	120	40	61				
	EHPT20X-***D(W)	A++	A+	5.0	129	135	40	61	A+++	A+	5.0	183	135	40	61				
	ERPT20X-***D(W)	A++	A+	5.0	133	135	40	61	A+++	A+	5.0	190	135	40	61				
	EHPX-***D	A++	-	5.0	129	-	40	61	A+++	-	5.0	183	-	40	61				
	ERPX-***D	A++	-	5.0	133	-	40	61	A+++	-	5.0	190	-	40	61				
PUZ-WM60VAA(-BS)	EHPT17X-***D(W)	A++	A+	6.0	142	120	40	58	A+++	A+	6.0	190	120	40	58				
	ERPT17X-***D(W)	A++	A+	6.0	145	120	40	58	A+++	A+	6.0	197	120	40	58				
	EHPT20X-***D(W)	A++	A+	6.0	142	145	40	58	A+++	A+	6.0	190	145	40	58				
	ERPT20X-***D(W)	A++	A+	6.0	145	145	40	58	A+++	A+	6.0	197	145	40	58				
	EHPX-***D	A++	-	6.0	142	-	40	58	A+++	-	6.0	190	-	40	58				
	ERPX-***D	A++	-	6.0	145	-	40	58	A+++	-	6.0	197	-	40	58				
PUZ-WM85V/YAA(-BS)	EHPT17X-***D(W)	A++	A+	8.5	139/138	120	40	58	A+++	A+	8.5	193/190	120	40	58				
	ERPT17X-***D(W)	A++	A+	8.5	141/141	120	40	58	A+++	A+	8.5	197/197	120	40	58				
	EHPT20X-***D(W)	A++	A+	8.5	139/138	145	40	58	A+++	A+	8.5	193/190	145	40	58				
	ERPT20X-***D(W)	A++	A+	8.5	141/141	145	40	58	A+++	A+	8.5	197/197	145	40	58				
	EHPT30X-***D(W)	A++	A	8.5	139/138	120	40	58	A+++	A	8.5	193/190	120	40	58				
	ERPT30X-***D(W)	A++	A	8.5	141/141	120	40	58	A+++	A	8.6	197/197	120	40	58				
	EHPX-***D	A++	-	8.5	139/138	-	40	58	A+++	-	8.5	193/190	-	40	58				
	ERPX-***D	A++	-	8.5	141/141	-	40	58	A+++	-	8.5	197/197	-	40	58				
PUZ-WM112V/YAA(-BS)	EHPT20X-***D(W)	A++	A+	10.0	134/133	148	40	60	A+++	A+	10.0	191/189	148	40	60				
	ERPT20X-***D(W)	A++	A+	10.0	136/136	148	40	60	A+++	A+	10.0	195/195	148	40	60				
	EHPT30X-***D(W)	A++	A	10.0	134/133	120	40	60	A+++	A	10.0	191/189	120	40	60				
	ERPT30X-***D(W)	A++	A	10.0	136/136	120	40	60	A+++	A	10.0	195/195	120	40	60				
	EHPX-***D	A++	-	10.0	134/133	-	40	60	A+++	-	10.0	191/189	-	40	60				
	ERPX-***D	A++	-	10.0	136/136	-	40	60	A+++	-	10.0	195/195	-	40	60				
PUZ-HWM140V/YHA(-BS)	EHPT20X-***D(W)	A++	A+	14.0	132/131	130	40	67	A+++	A+	14.0	176/175	130	40	67				
	ERPT20X-***D(W)	A++	A+	14.0	133/133	130	40	67	A+++	A+	14.0	178/177	130	40	67				
	EHPT30X-***D(W)	A++	A	14.0	132/131	118	40	67	A+++	A	14.0	176/175	118	40	67				
	ERPT30X-***D(W)	A++	A	14.0	133/133	118	40	67	A+++	A	14.0	178/177	118	40	67				
	EHPX-***D	A++	-	14.0	132/131	-	40	67	A+++	-	14.0	176/175	-	40	67				
	ERPX-***D	A++	-	14.0	133/133	-	40	67	A+++	-	14.0	178/177	-	40	67				
PUHZ-FRP71VHA2	EHST20C-***D	A+	A+	7.5	121	138	40	68	A++	A+	7.5	163	138	40	68				
	EHSC-***D	A+	-	7.5	121	-	40	68	A++	-	7.5	163	-	40	68				
PUMY-P112VKM5/YKM(E)4	EHST20C-***D	A+	A	11.2	121	106	40	69	A++	A	11.2	168	106	40	69				
	EHSC-***D	A+	-	11.2	121	-	40	69	A++	-	11.2	168	-	40	69				
PUMY-P125VKM5/YKM(E)4	EHST20C-***D	A+	A	11.2	121	106	40	69	A++	A	11.2	168	106	40	69				
	EHSC-***D	A+	-	11.2	121	-	40	69	A++	-	11.2	168	-	40	69				

Note: E**T17/20*-***D use "Load profile L".
E**T30*-***D use "Load profile XL".

Outdoor unit	Indoor unit	For medium-temperature application							For low-temperature application						
		Seasonal space heating energy efficiency class	Water heating energy efficiency class	Rated heat output under average climate conditions	Seasonal space heating energy efficiency under average climate conditions	Water heating energy efficiency under average climate conditions	Sound power level LWA indoor	Sound power level LWA outdoor	Seasonal space heating energy efficiency class	Water heating energy efficiency class	Rated heat output under average climate conditions	Seasonal space heating energy efficiency under average climate conditions	Water heating energy efficiency under average climate conditions	Sound power level LWA indoor	Sound power level LWA outdoor
PUMY-P140VKM5/YKM(E)4	EHST20C-***D	A+	A	11.2	121	106	40	69	A++	A	11.2	168	106	40	69
	EHSC-***D	A+	-	11.2	121	-	40	69	A++	-	11.2	168	-	40	69
PXZ-4F75VG	E*ST17D-*M2/6/9*D	A+	A+	6.1	113	117	41	67	A++	A+	6.1	154	117	41	67
	E*ST20D-*M2/6/9*D	A+	A+	6.1	113	124	41	67	A++	A+	6.1	154	124	41	67
	E*ST30D-*M2/6/9*D	A+	A	6.1	113	118	41	67	A++	A	6.1	154	118	41	67
	E*SD-*M2/6/9*D	A+	-	6.1	113	-	41	67	A++	-	6.1	154	-	41	67
PXZ-5F85VG	E*ST17D-*M2/6/9*D	A+	A+	6.7	111	121	41	64	A++	A+	6.8	157	121	41	64
	E*ST20D-*M2/6/9*D	A+	A+	6.7	111	123	41	64	A++	A+	6.8	157	123	41	64
	E*ST30D-*M2/6/9*D	A+	A	6.7	111	110	41	64	A++	A	6.8	157	110	41	64
	E*SD-*M2/6/9*D	A+	-	6.7	111	-	41	64	A++	-	6.8	157	-	41	64

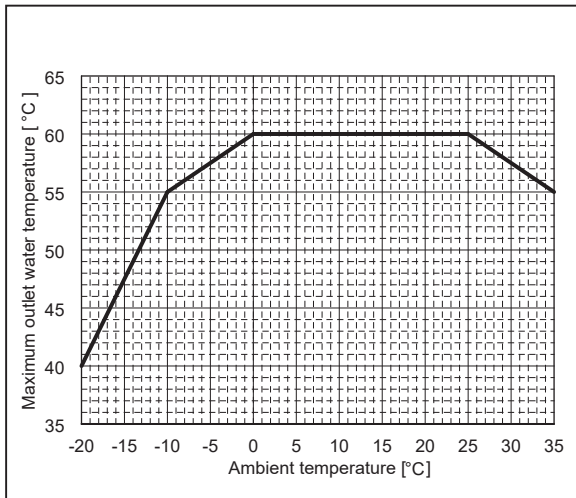
Note: E**T17/20*-***D use "Load profile L".

E**T30*-***D use "Load profile XL".

1.3 Maximum outlet water temperature

(1) Packaged-type units

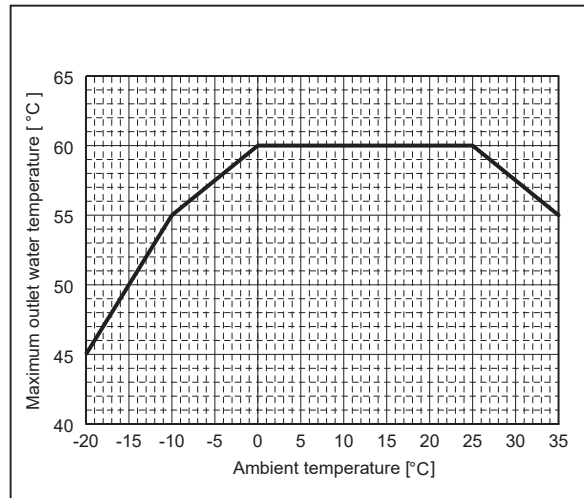
PUZ-WM50VHA(-BS)



PUZ-WM60VAA(-BS)

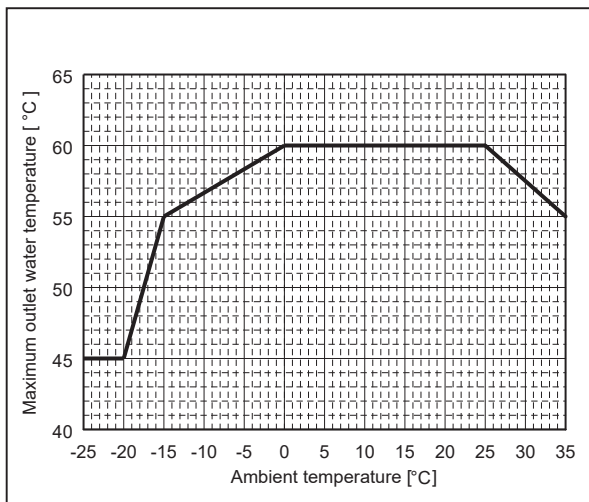
PUZ-WM85VAA(-BS)

PUZ-WM85YAA(-BS)



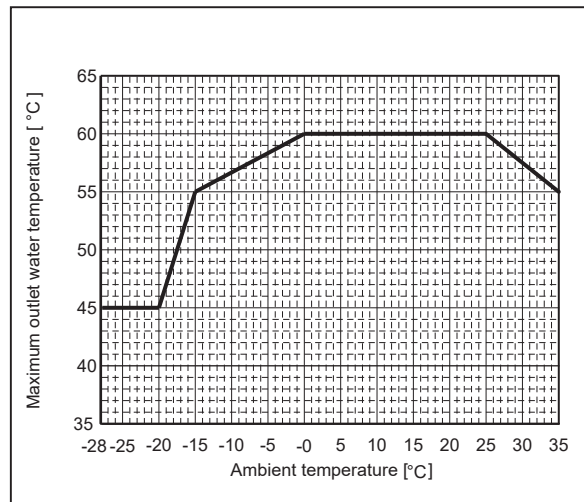
PUZ-WM112VAA(-BS)

PUZ-WM112YAA(-BS)



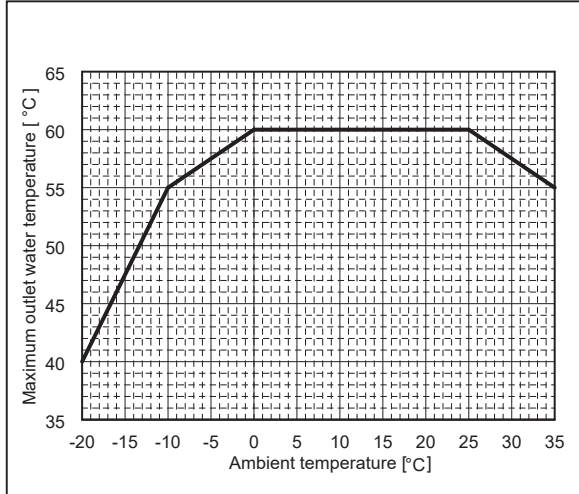
PUZ-HWM140VHA(-BS)

PUZ-HWM140YHA(-BS)



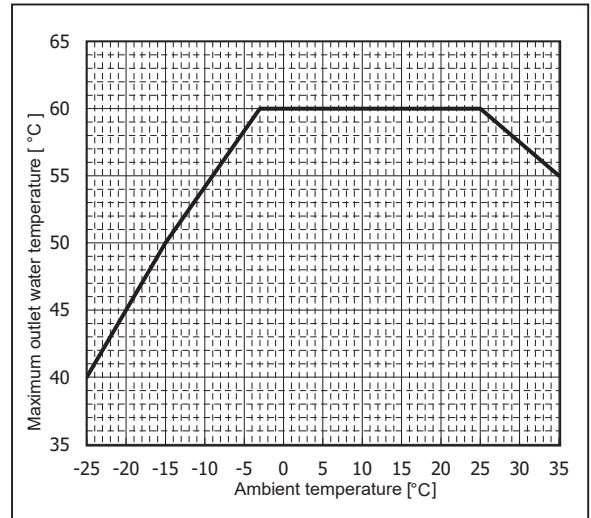
(2) Split-type units

SUZ-SWM40VA
 SUZ-SWM60VA
 SUZ-SWM80VA

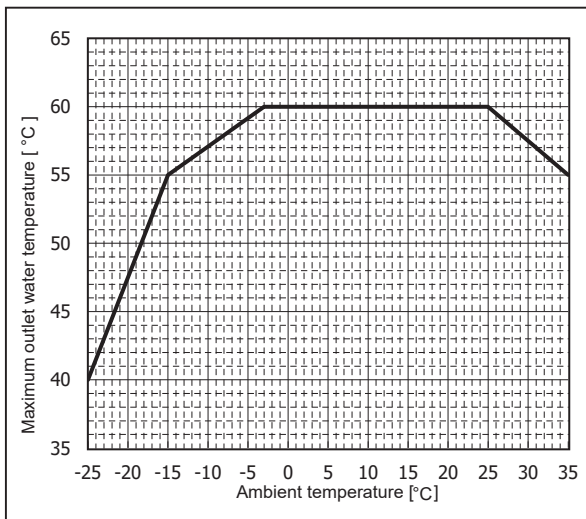


SUZ-SWM30VA
 SUZ-SHWM30VAH

SUZ-SWM40VA2(-SC)
 SUZ-SHWM40VAH(-SC)
 SUZ-SWM60VA2(-SC)

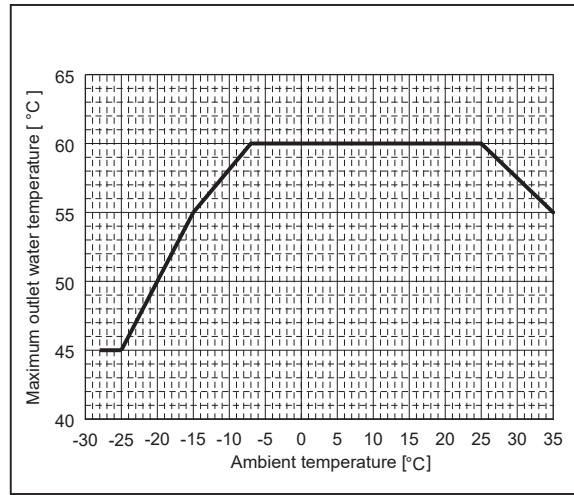
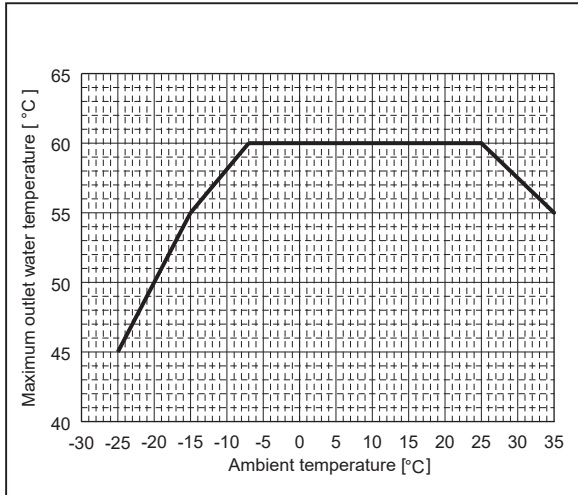


SUZ-SHWM60VAH(-SC) SUZ-SWM100VA
 SUZ-SWM80VA2 SUZ-SWM100VAH
 SUZ-SWM80VAH2

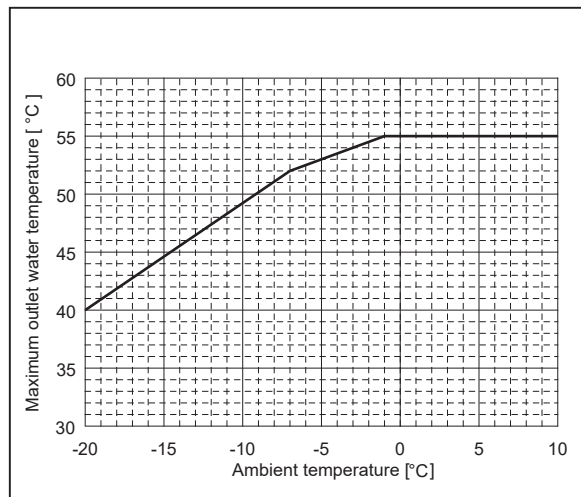


PUD-SWM60VAA(-BS) PUD-SWM100VAA(-BS)
 PUD-SWM80VAA(-BS) PUD-SWM100YAA(-BS)
 PUD-SWM80YAA(-BS) PUD-SWM120VAA(-BS)
 PUD-SWM120YAA(-BS)

PUD-SHWM60VAA(-BS) PUD-SHWM120VAA(-BS)
 PUD-SHWM80VAA(-BS) PUD-SHWM120YAA(-BS)
 PUD-SHWM80YAA(-BS) PUD-SHWM140VAA(-BS)
 PUD-SHWM100VAA(-BS) PUD-SHWM140YAA(-BS)
 PUD-SHWM100YAA(-BS)



PXZ-4F75VG
 PXZ-5F85VG

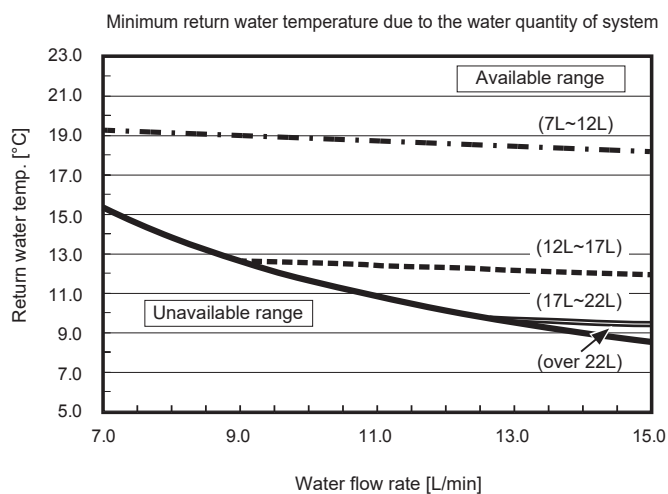


1.4 Available range (Water flow rate, return water temp.)

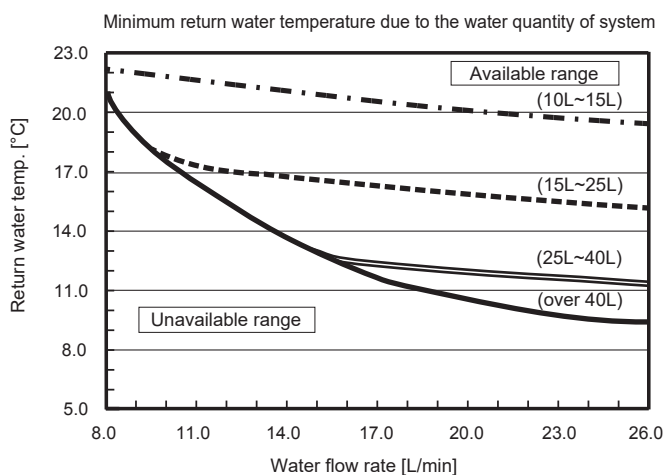
(1) Packaged-type units

■ Heating

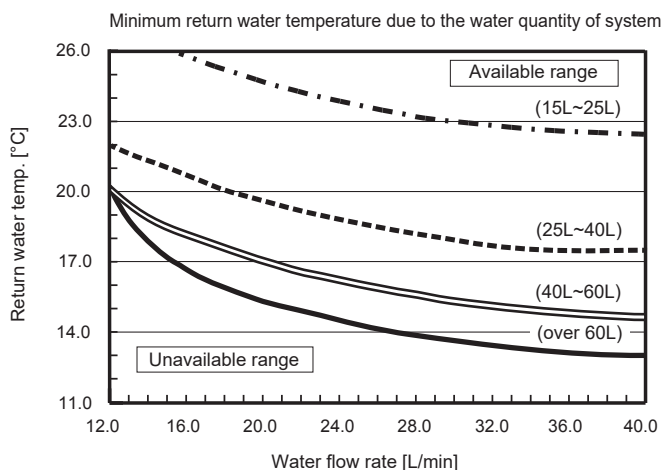
PUZ-WM50VHA(-BS)



PUZ-WM60VAA(-BS) PUZ-WM85VAA(-BS) PUZ-WM85YAA(-BS)



PUZ-WM112VAA(-BS) PUZ-WM112YAA(-BS)

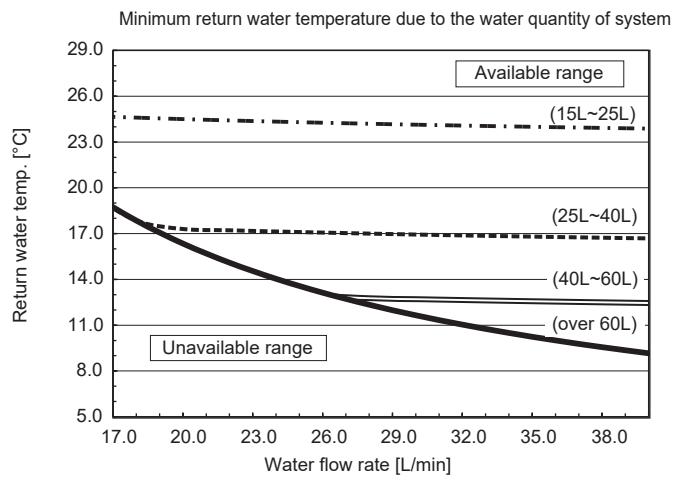


Note:

Be sure to avoid the unavailable range during defrosting.

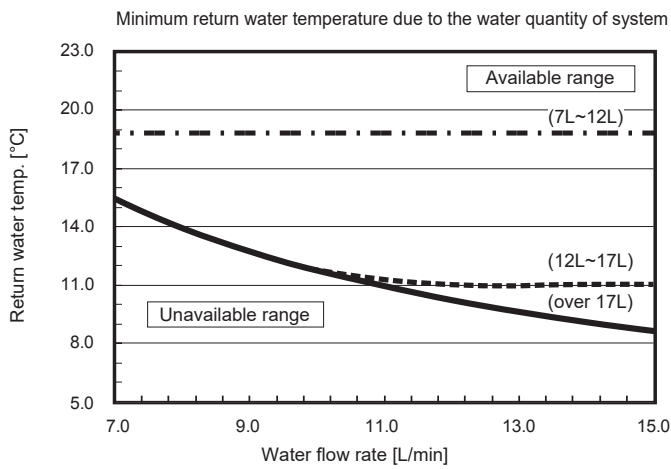
Otherwise, the outdoor unit is insufficiently defrosted and/or the heat exchanger of the indoor unit may freeze.

PUZ-HWM140VHA(-BS) PUZ-HWM140YHA(-BS)

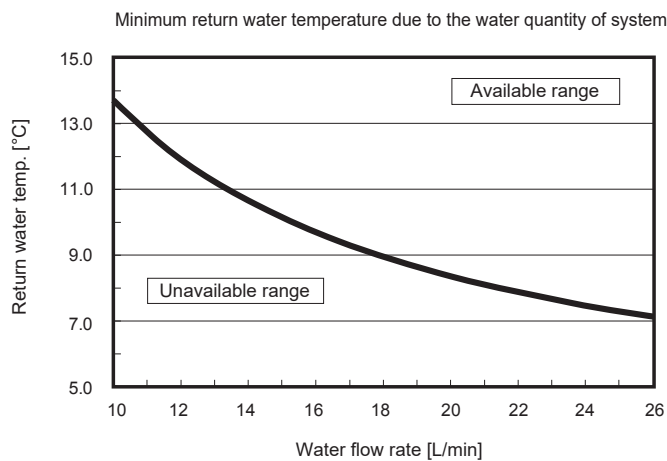


■ Cooling

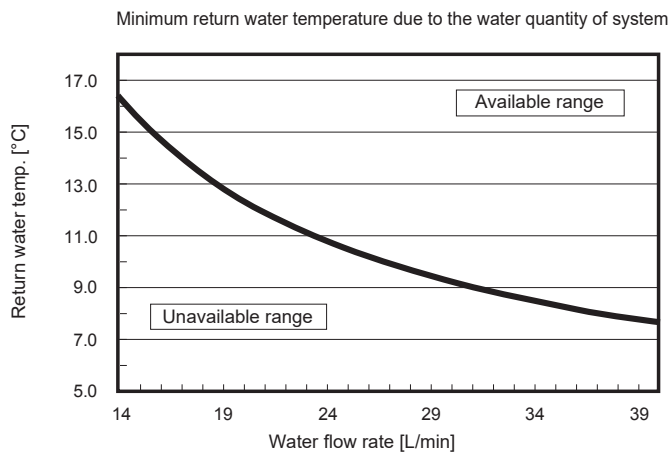
PUZ-WM50VHA(-BS)



PUZ-WM60VAA(-BS) PUZ-WM85VAA(-BS) PUZ-WM85YAA(-BS)



PUZ-WM112VAA(-BS) PUZ-WM112YAA(-BS)

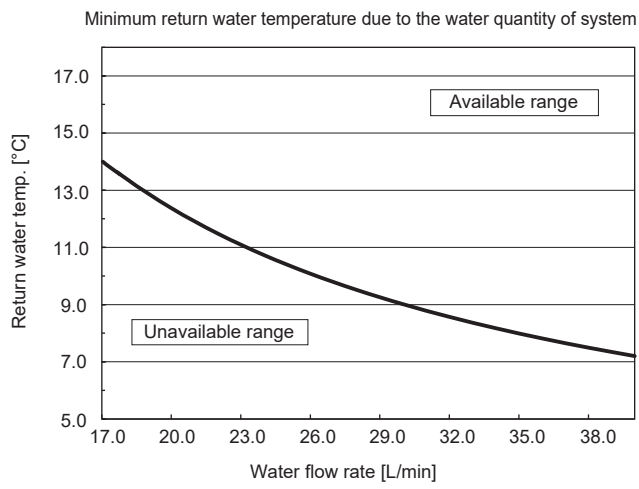


Note:

Be sure to avoid the unavailable range during defrosting.

Otherwise, the outdoor unit is insufficiently defrosted and/or the heat exchanger of the indoor unit may freeze.

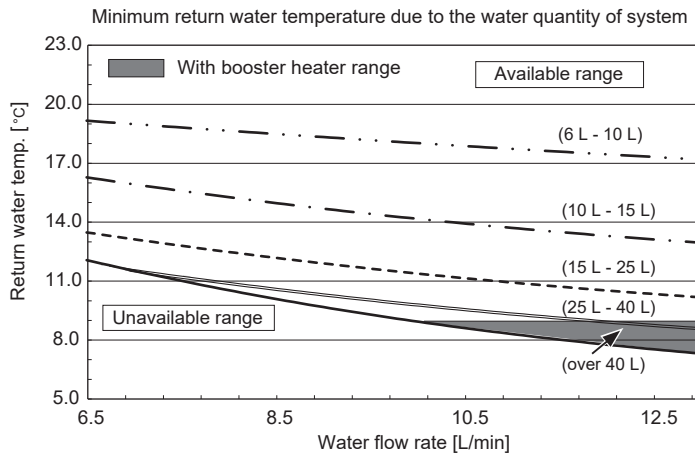
PUZ-HWM140VHA(-BS) PUZ-HWM140YHA(-BS)



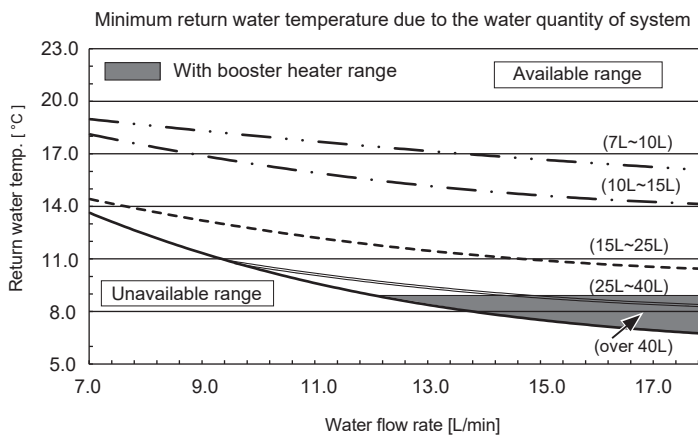
(2) Split-type units

■ Heating

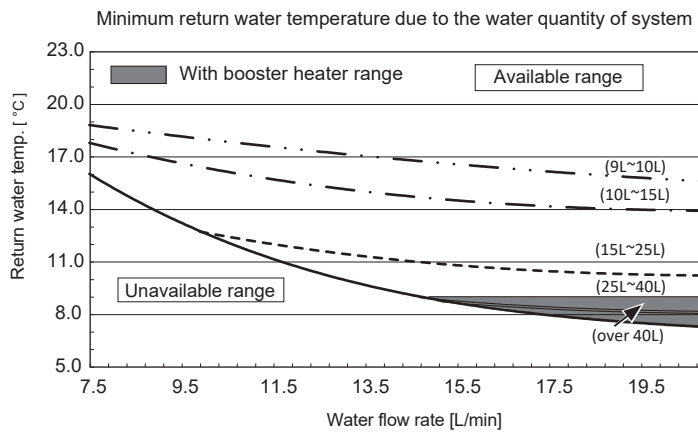
SUZ-SWM40VA



SUZ-SWM60VA



SUZ-SWM80VA

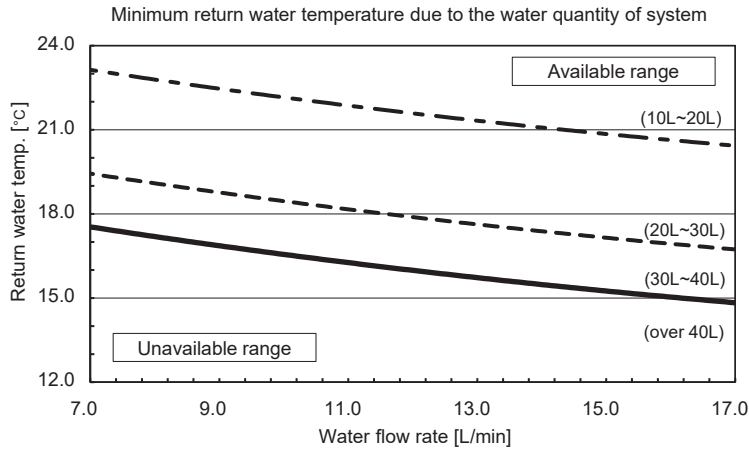


Note:

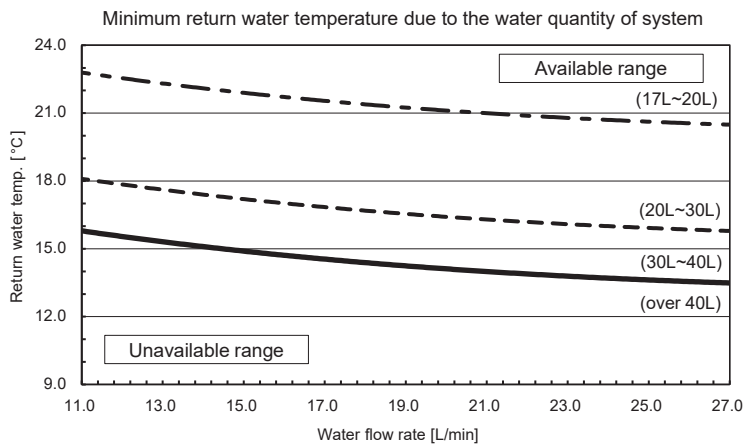
Be sure to avoid the unavailable range during defrosting.

Otherwise, the outdoor unit is insufficiently defrosted and/or the heat exchanger of the indoor unit may freeze.

SUZ-SWM30VA SUZ-SHWM30VAH
 SUZ-SWM40VA2 SUZ-SHWM40VAH
 SUZ-SWM60VA2



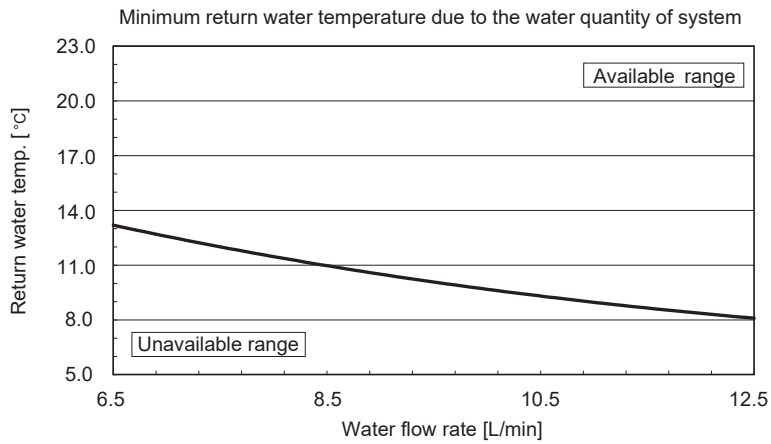
SUZ-SWM80VA(H)2
 SUZ-SWM100VA(H)
 SUZ-SHWM60VAH



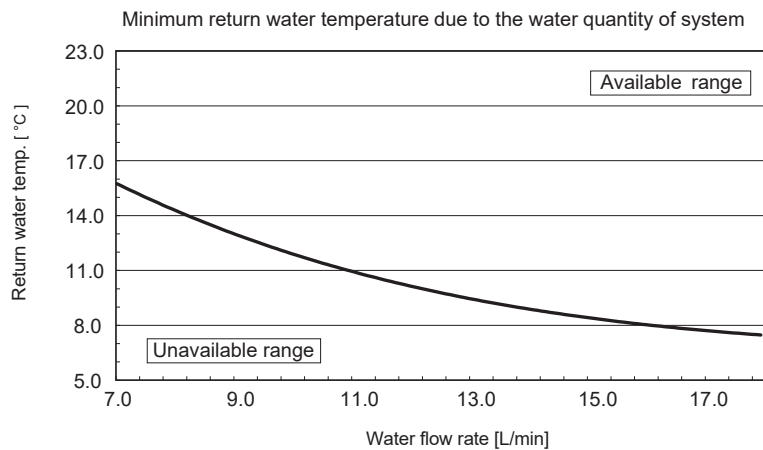
Note:
 Be sure to avoid the unavailable range during defrosting.
 Otherwise, the outdoor unit is insufficiently defrosted and/or the heat exchanger of the indoor unit may freeze.

■ Cooling

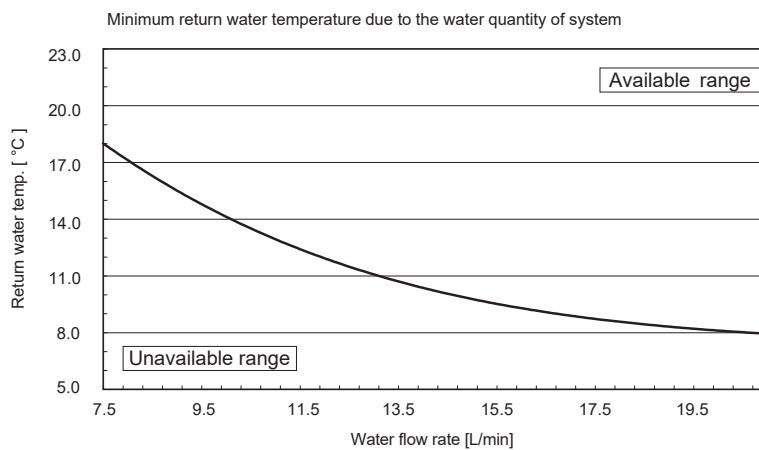
SUZ-SWM40VA



SUZ-SWM60VA



SUZ-SWM80VA

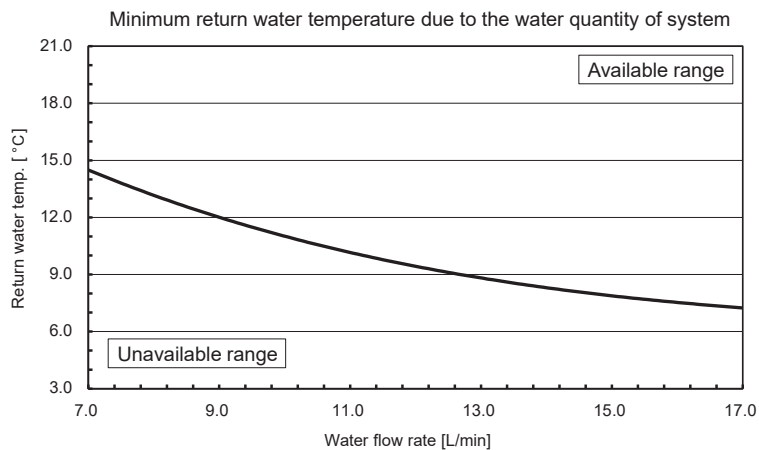


Note:

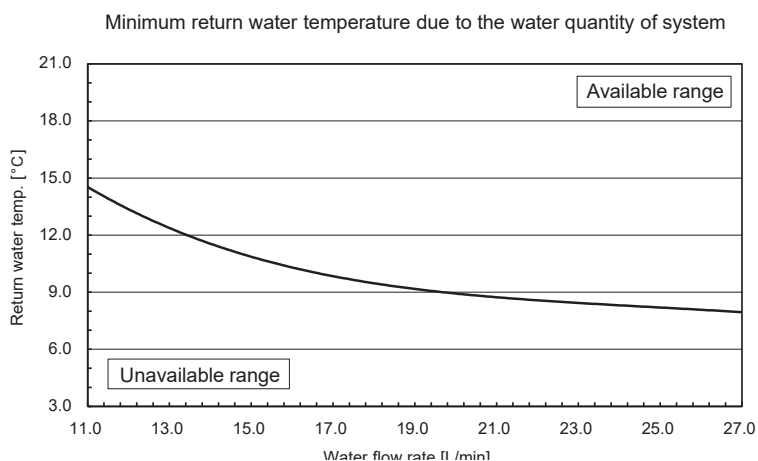
Be sure to avoid the unavailable range during defrosting.

Otherwise, the outdoor unit is insufficiently defrosted and/or the heat exchanger of the indoor unit may freeze.

SUZ-SWM30VA SUZ-SHWM30VAH
 SUZ-SWM40VA2 SUZ-SHWM40VAH
 SUZ-SWM60VA2



SUZ-SWM80VA(H)2
 SUZ-SWM100VA(H)
 SUZ-SHWM60VAH

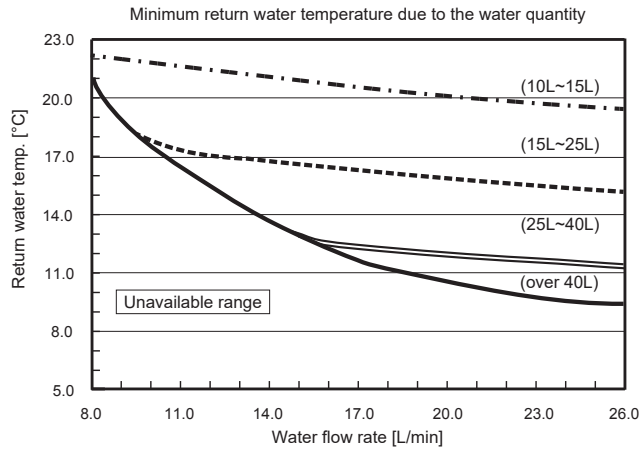


Note:
 Be sure to avoid the unavailable range during defrosting.
 Otherwise, the outdoor unit is insufficiently defrosted and/or the heat exchanger of the indoor unit may freeze.

PUD-SWM60VAA(-BS)
PUD-SHWM60VAA(-BS)

PUD-SWM80VAA(-BS)
PUD-SHWM80VAA(-BS)

PUD-SWM80YAA(-BS)
PUD-SHWM80YAA(-BS)

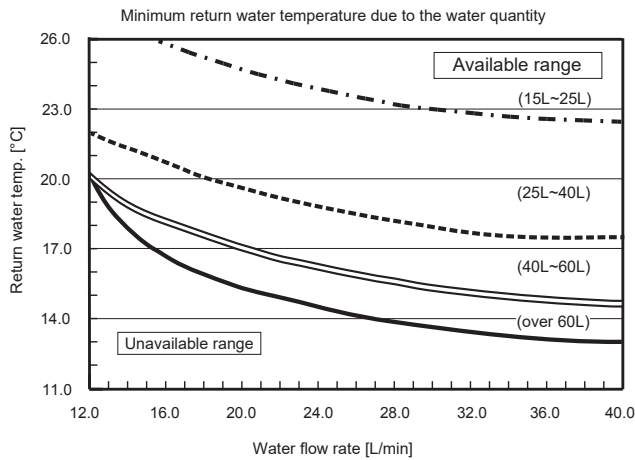


PUD-SWM100VAA(-BS)
PUD-SHWM100VAA(-BS)
PUD-SHWM140VAA(-BS)

PUD-SWM100YAA(-BS)
PUD-SHWM100YAA(-BS)
PUD-SHWM140YAA(-BS)

PUD-SWM120VAA(-BS)
PUD-SHWM120VAA(-BS)

PUD-SWM120YAA(-BS)
PUD-SHWM120YAA(-BS)

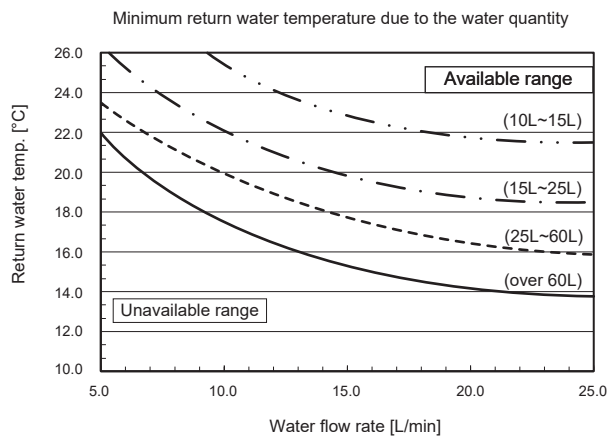


Note:

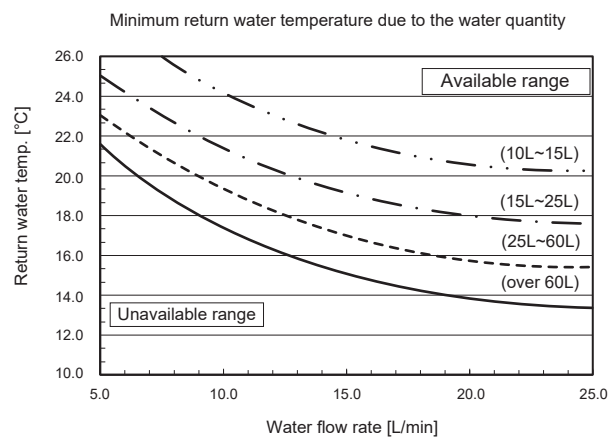
Be sure to avoid the unavailable range during defrosting.

Otherwise, the outdoor unit is insufficiently defrosted and/or the heat exchanger of the indoor unit may freeze.

PXZ-4F75VG



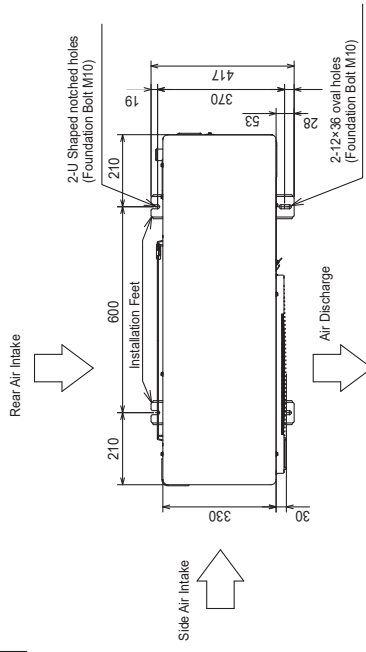
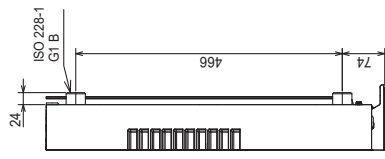
PXZ-5F85VG



Note:
Be sure to avoid the unavailable range during defrosting.
Otherwise, the outdoor unit is insufficiently defrosted and/or the heat exchanger of the indoor unit may freeze.

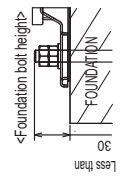
■ PUZ-HWM140VHA(-BS) PUZ-HWM140YHA(-BS)

Unit : mm



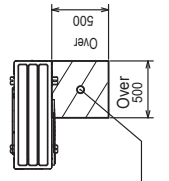
3 FOUNDATION BOLTS

Please secure the unit firmly with 4 foundation (M10) bolts. (Bolts and washers must be purchased locally.)



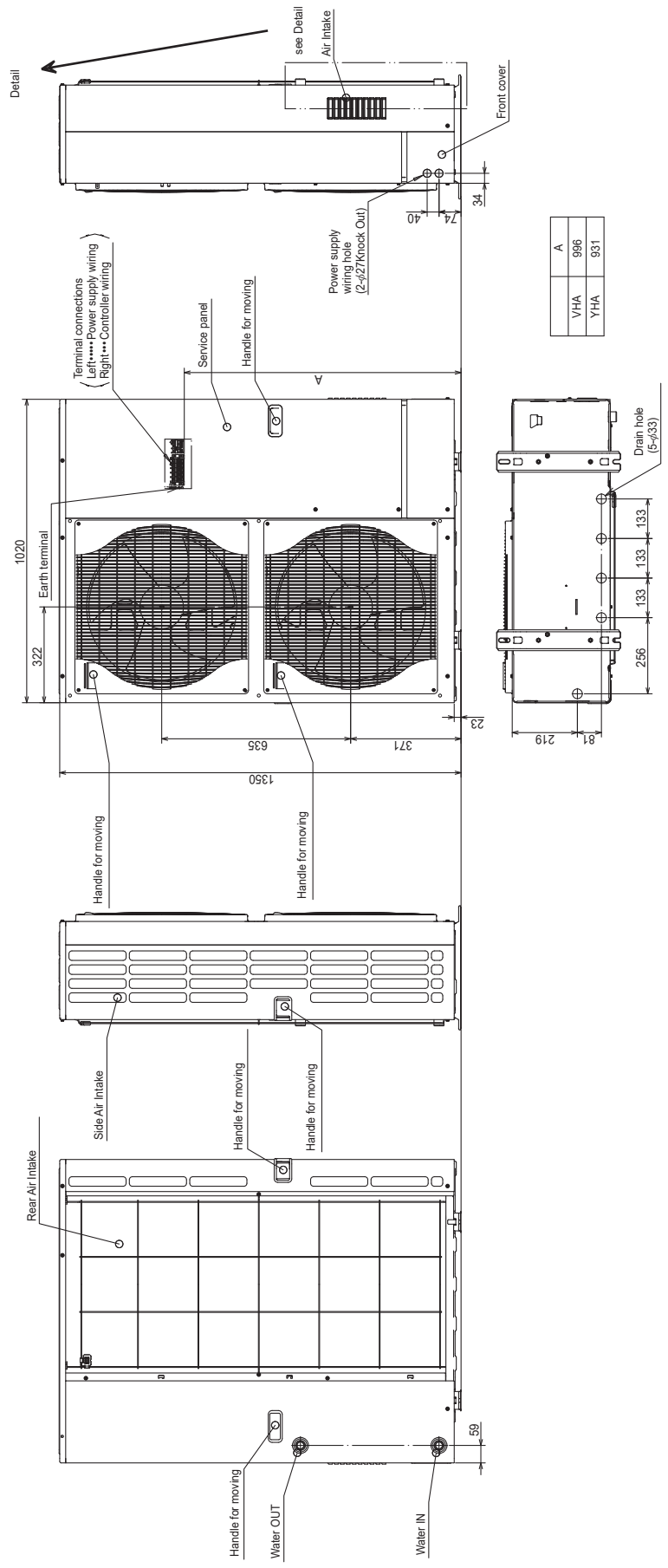
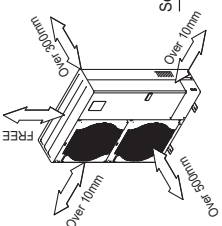
2 SERVICE SPACE

Dimensions of space needed for service access are shown in the below diagram.



1 FREE SPACE (Around the unit)

The diagram below shows a basic example. Explanation of particular details are given in the installation manuals etc.

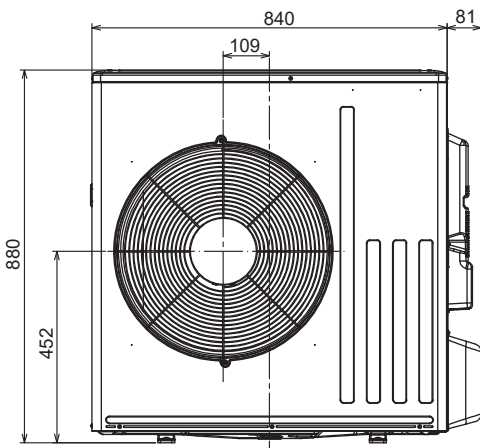
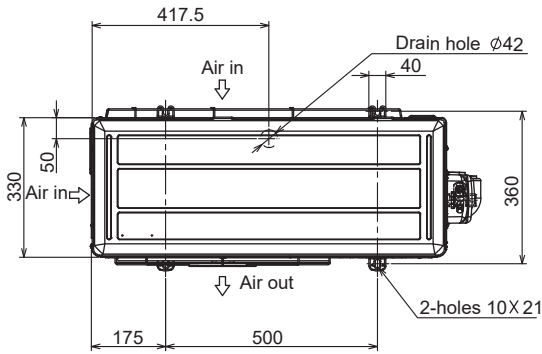


A	996	931
VHA	996	931
YHA		

(2) Split-type units

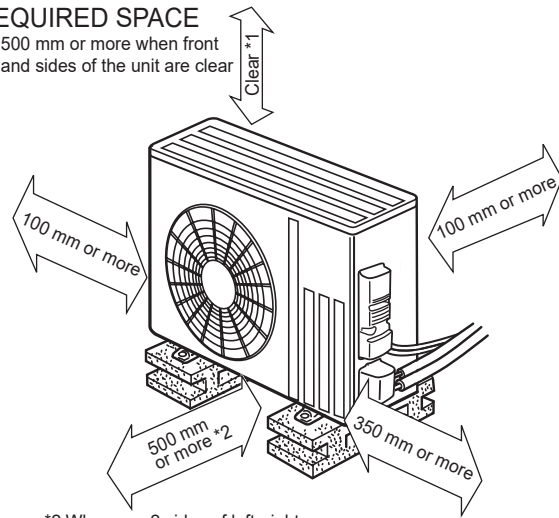
- SUZ-SWM40VA
- SUZ-SWM60VA
- SUZ-SWM80VA

Unit : mm

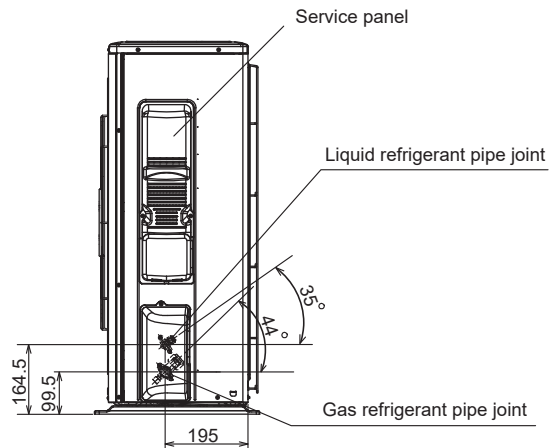


REQUIRED SPACE

*1 500 mm or more when front and sides of the unit are clear



*2 When any 2 sides of left, right and rear of the unit are clear

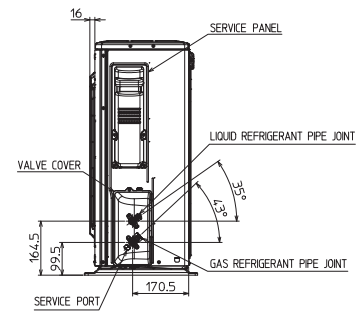
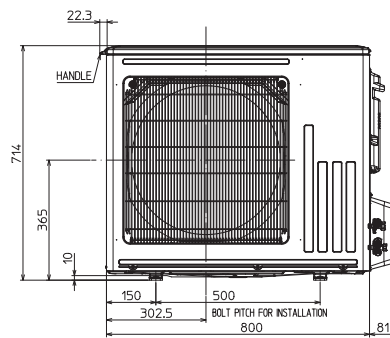
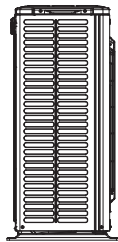
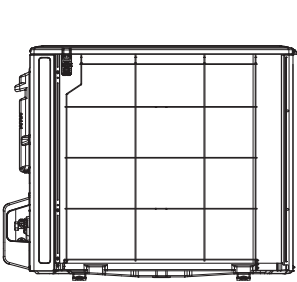


mm (inch)

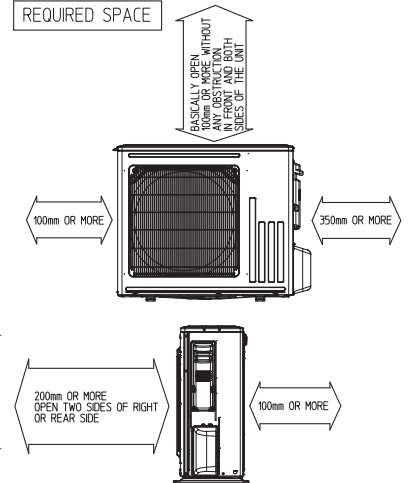
MODEL NAME		SUZ-SWM40/60/80VA
REFRIGERANT PIPE JOINT	LIQUID REFRIGERANT PIPE	FLARED 6.35 (1/4")
	GAS REFRIGERANT PIPE	FLARED 12.7 (1/2")

- SUZ-SWM30VA
- SUZ-SHWM30VAH
- SUZ-SWM40VA2
- SUZ-SWM40VA2-SC
- SUZ-SHWM40VAH
- SUZ-SHWM40VAH-SC
- SUZ-SWM60VA2
- SUZ-SWM60VA2-SC

Unit : mm



REFRIGERANT PIPE JOINT	LIQUID REFRIGERANT PIPE	FLARED 6.35(1/4")
	GAS REFRIGERANT PIPE	FLARED 12.7(1/2")

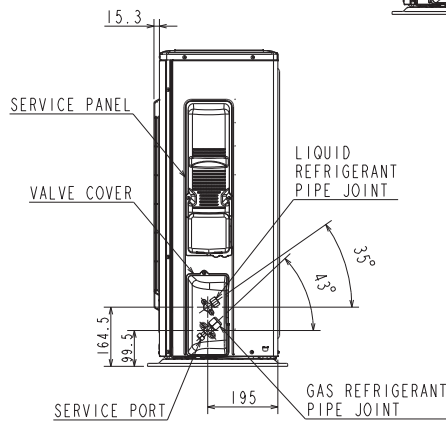
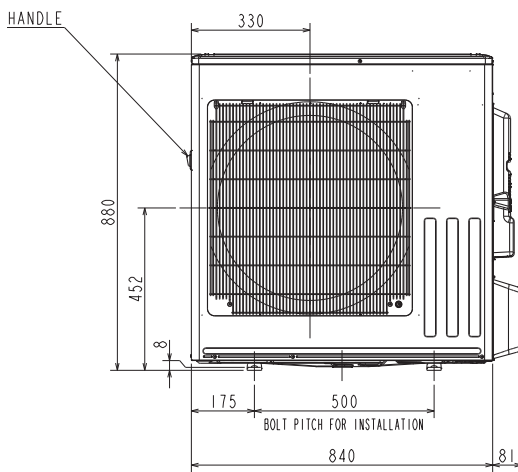
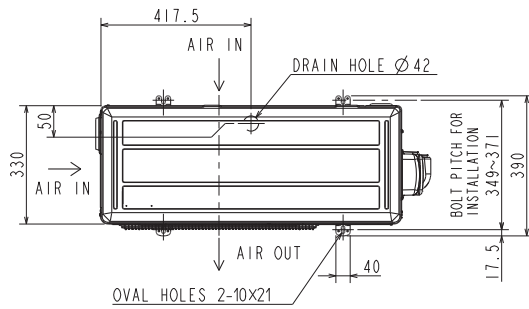
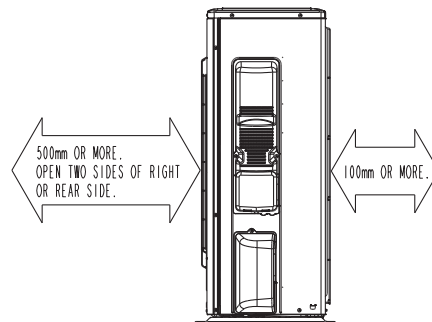
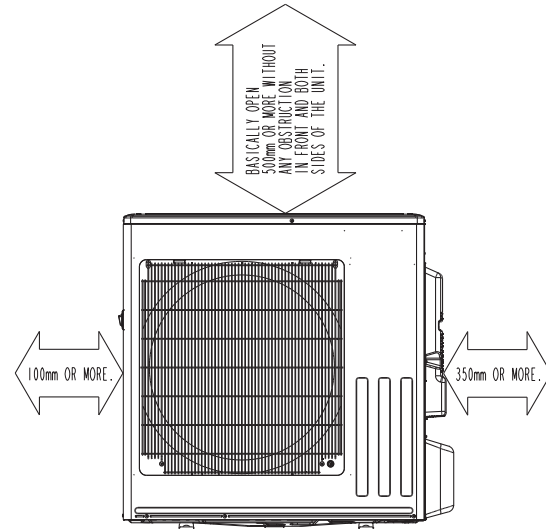


Outdoor unit

- SUZ-SHWM60VAH
- SUZ-SHWM60VAH-SC
- SUZ-SWM80VA2
- SUZ-SWM80VAH2
- SUZ-SWM100VA
- SUZ-SWM100VAH

Unit : mm

REQUIRED SPACE



REFRIGERANT PIPE JOINT	LIQUID REFRIGERANT PIPE	FLARED ø6.35 (1/4")
	GAS REFRIGERANT PIPE	FLARED ø12.7 (1/2")

■ PUD-SWM60VAA(-BS)
PUD-SWM100VAA(-BS)
PUD-SHWM80VAA(-BS)
PUD-SHWM120VAA(-BS)

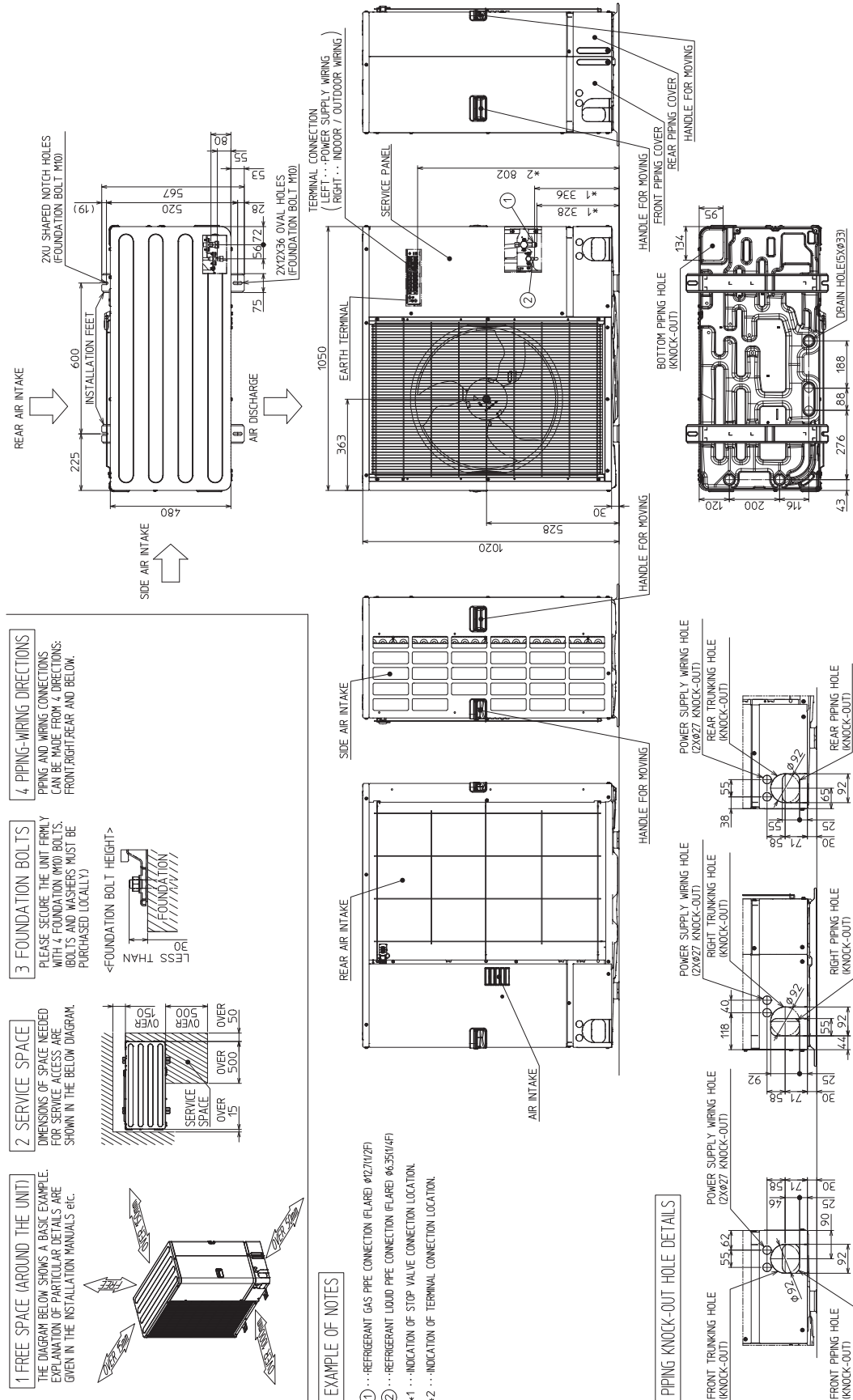
PUD-SWM80VAA(-BS)
PUD-SWM120VAA(-BS)
PUD-SHWM80VAA(-BS)
PUD-SHWM120VAA(-BS)

PUD-SWM80YAA(-BS)
PUD-SWM120YAA(-BS)
PUD-SHWM100VAA(-BS)
PUD-SHWM140VAA(-BS)

PUD-SWM100VAA(-BS)
PUD-SHWM60VAA(-BS)
PUD-SHWM100VAA(-BS)
PUD-SHWM140VAA(-BS)

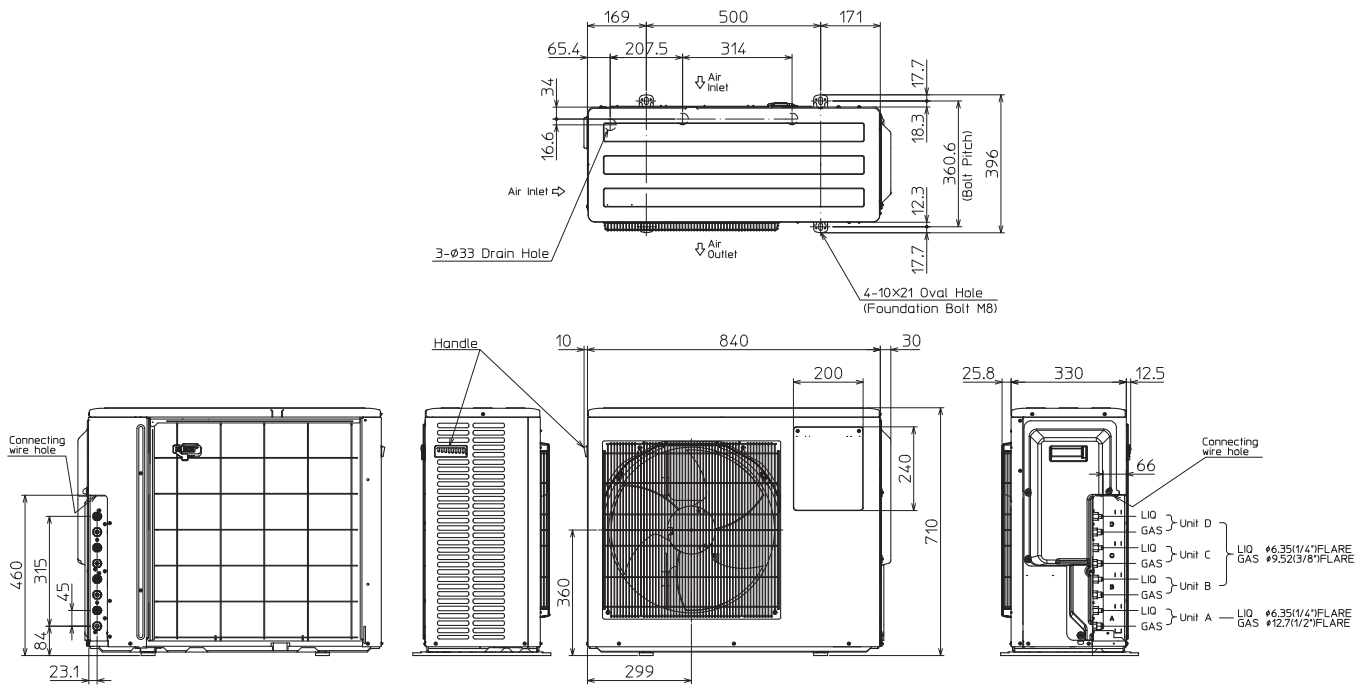
Unit: mm

Outdoor unit



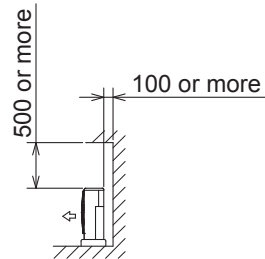
■ PXZ-4F75VG

Unit: mm

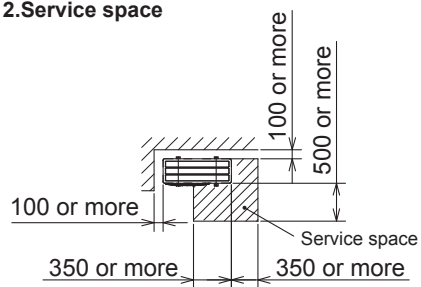


1. Installation space

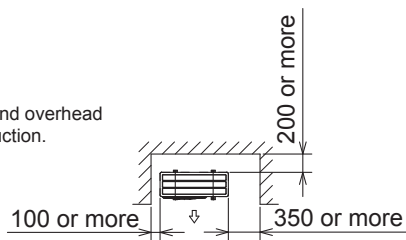
Note : Leave front and both sides free of obstruction.



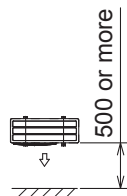
2. Service space



Note : Leave front and overhead free of obstruction.



Note : Leave rear, overhead and both sides free of obstruction.



(1) Packaged-type units

■ PUZ-WM50VHA

PUZ-WM50VHA-BS

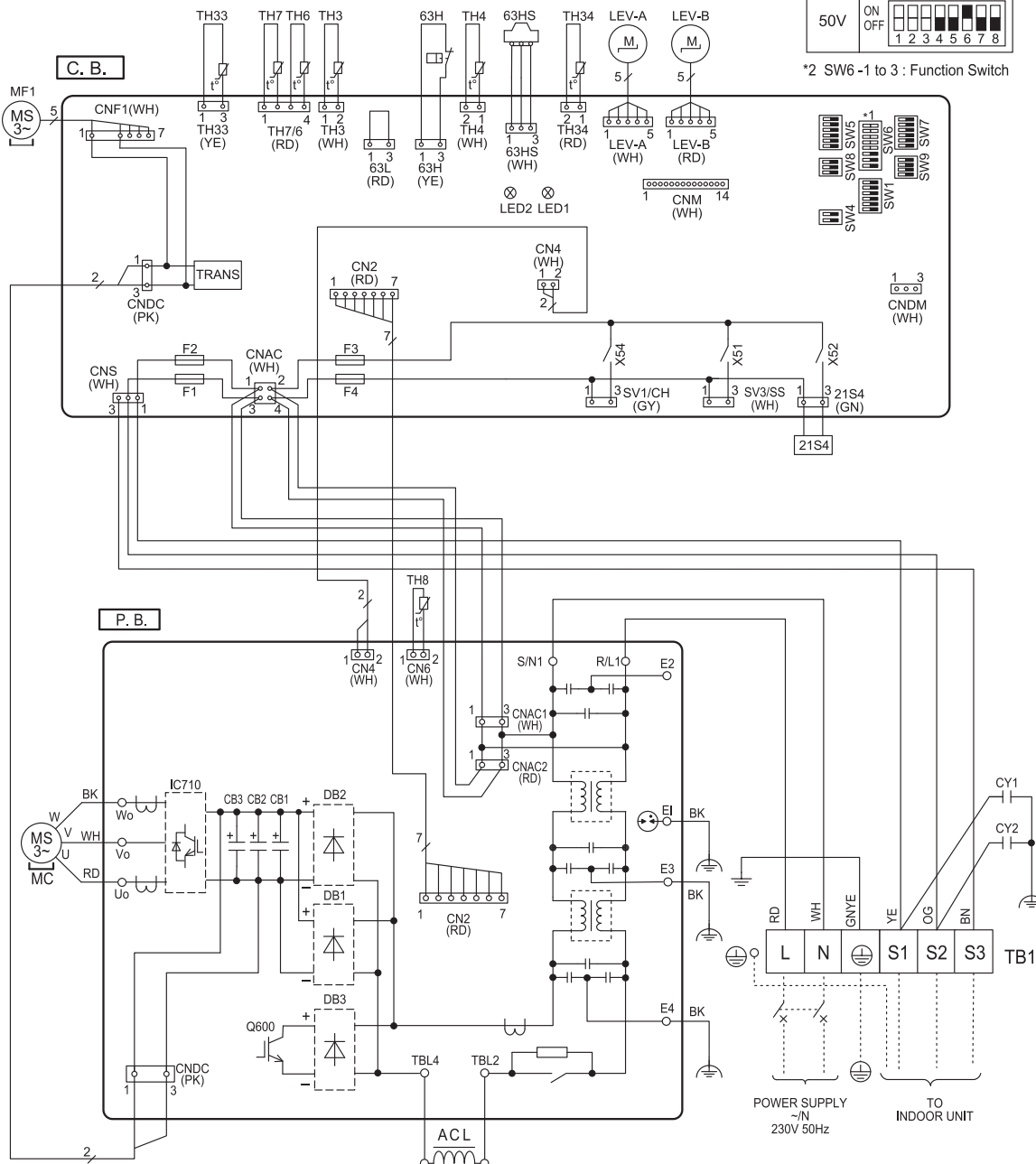
SYMBOL	NAME	SYMBOL	NAME
TB1	Terminal Block <Power Supply, Indoor/Outdoor>	CY1, CY2	Capacitor
MC	Motor for Compressor	P.B.	Power Circuit Board
MF1	Fan Motor	C.B.	Controller Circuit Board
21S4	Solenoid Valve (4-Way Valve)	SW1	Switch <Manual Defrost, Defect History Record Reset, Refrigerant Address>
63H	High Pressure Switch	SW4	Switch <Function Switch>
63HS	Pressure Sensor	SW5	Switch <Function Switch>
TH3	Thermistor <Liquid>	SW6	Switch <Function Switch, Model Select>
TH4	Thermistor <Discharge>	SW7	Switch <Function Switch>
TH6	Thermistor <2-Phase Pipe>	SW8	Switch <Function Switch>
TH7	Thermistor <Ambient>	SW9	Switch <Function Switch>
TH8	Thermistor <Heat Sink>	CNDM	Connector <Connection for Option>
TH33	Thermistor <Comp. Surface>	SV1/CH	Connector <Connection for Option>
TH34	Thermistor <Plate Hex Liquid>	SV3/SS	Connector <Connection for Option>
LEV-A, LEV-B	Linear Expansion Valve	CNM	Connector <Connection for Option>
ACL	Reactor	F1, F2, F3, F4	Fuse <T6.3AL250V>

*1 MODEL SELECT

The black square (■) indicates a switch position.

MODEL	SW6 *2
50V	ON OFF 1 2 3 4 5 6 7 8

*2 SW6-1 to 3 : Function Switch

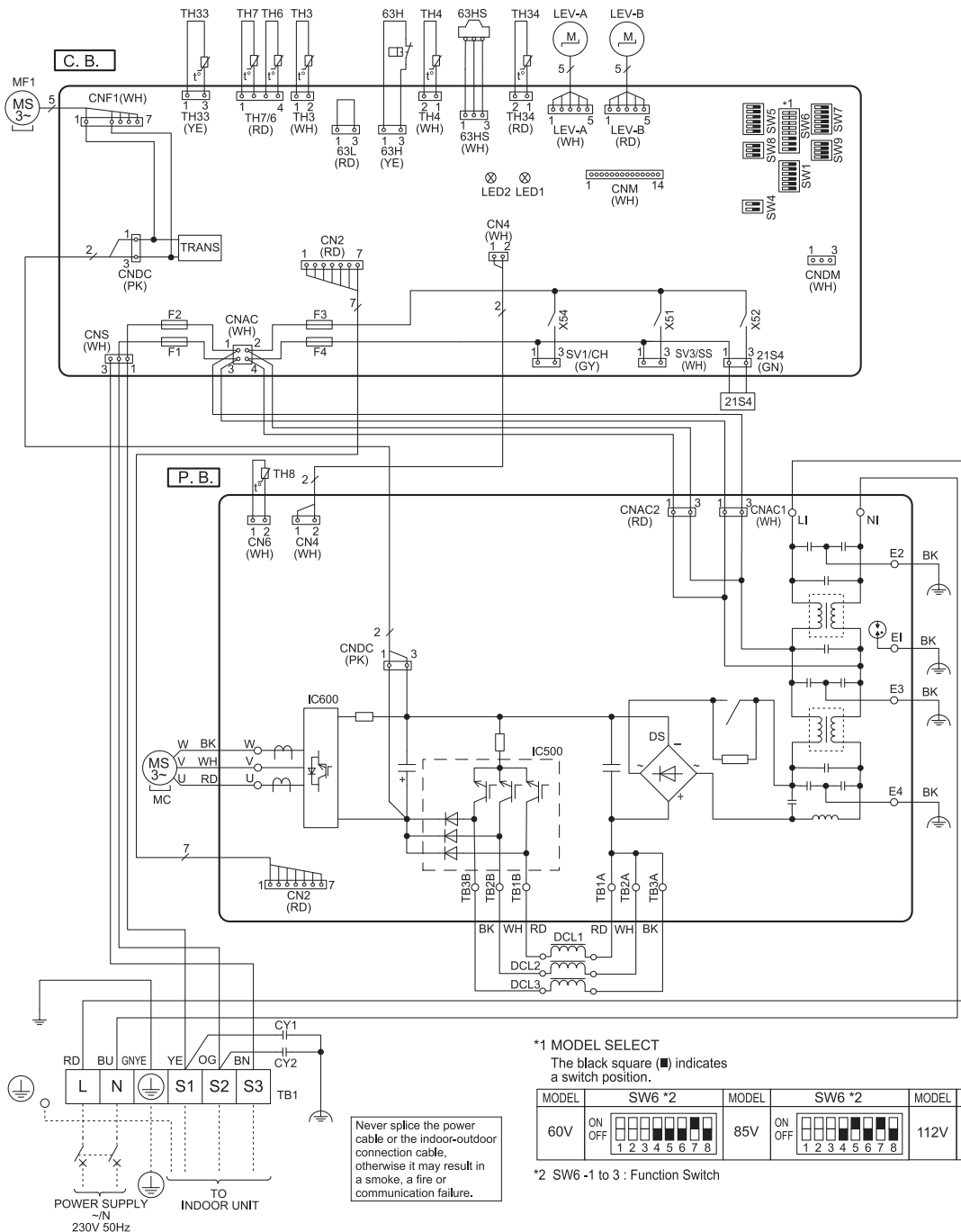


■ PUZ-WM60VAA
PUZ-WM60VAA-BS

PUZ-WM85VAA
PUZ-WM85VAA-BS

PUZ-WM112VAA
PUZ-WM112VAA-BS

SYMBOL	NAME	SYMBOL	NAME
TB1	Terminal Block <Power Supply, Indoor/Outdoor>	P.B.	Power Circuit Board
MC	Motor for Compressor	C.B.	Controller Circuit Board
MF1	Fan Motor	SW1	Switch <Manual Defrost, Defect History Record Reset, Refrigerant Address>
21S4	Solenoid Valve (4-Way Valve)	SW4	Switch <Function Switch>
63H	High Pressure Switch	SW5	Switch <Function Switch>
63HS	Pressure Sensor	SW6	Switch <Function Switch, Model Select>
TH3	Thermistor <Liquid>	SW7	Switch <Function Switch>
TH4	Thermistor <Discharge>	SW8	Switch <Function Switch>
TH6	Thermistor <2-Phase Pipe>	SW9	Switch <Function Switch>
TH7	Thermistor <Ambient>	CNDM	Connector <Connection for Option>
TH8	Thermistor <Heat Sink>	SV1/CH	Connector <Connection for Option>
TH33	Thermistor <Comp. Surface>	SV3/SS	Connector <Connection for Option>
TH34	Thermistor <Plate Hex Liquid>	CNM	Connector <Connection for Option>
LEV-A, LEV-B	Linear Expansion Valve	F1, F2, F3, F4	Fuse <T6.3AL250V>
DCL1, DCL2, DCL3	Reactor		
CY1, CY2	Capacitor		



Never splice the power cable or the indoor-outdoor connection cable, otherwise it may result in a smoke, a fire or communication failure.

*1 MODEL SELECT
The black square (■) indicates a switch position.

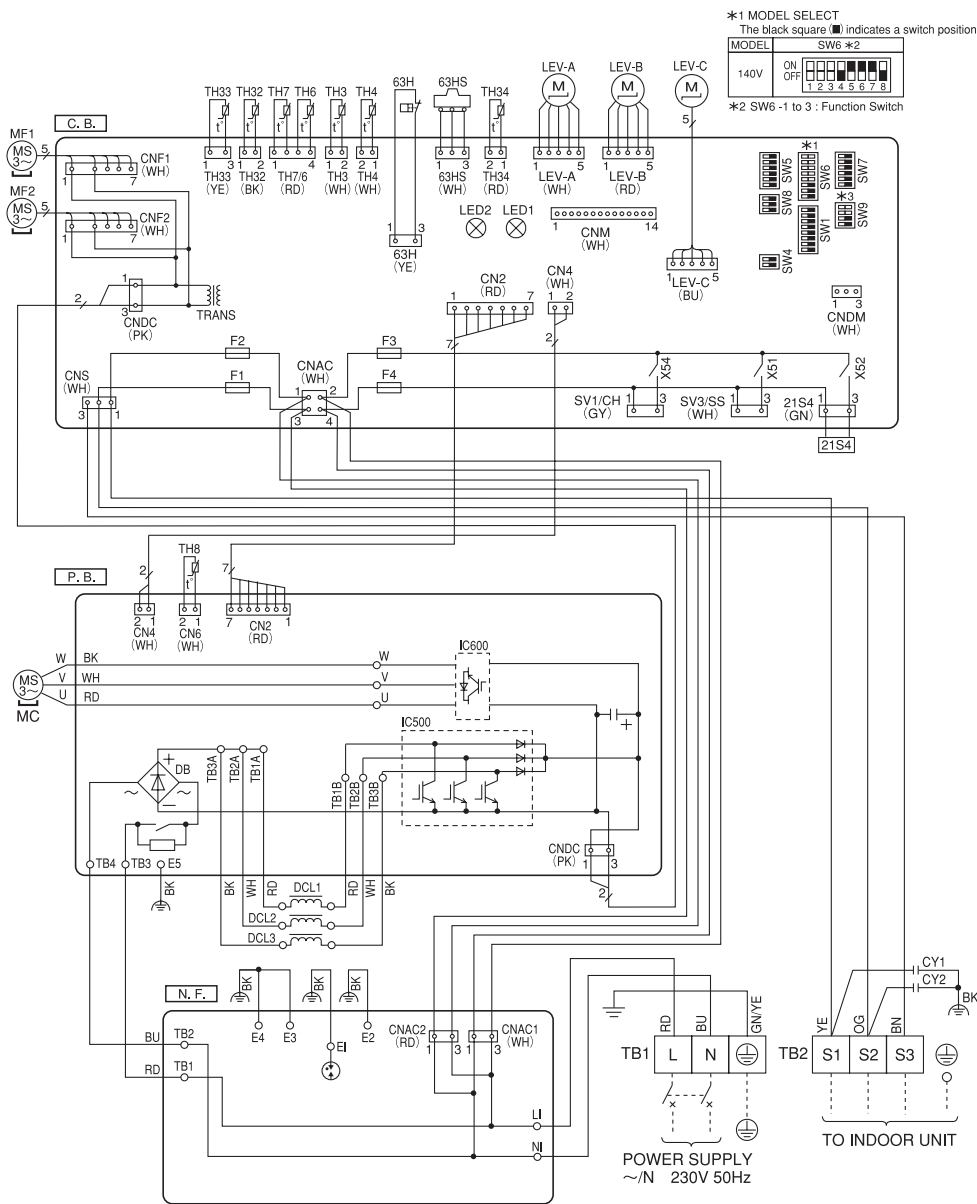
MODEL	SW6 *2	MODEL	SW6 *2	MODEL	SW6 *2
60V	ON OFF	85V	ON OFF	112V	ON OFF

*2 SW6 -1 to 3 : Function Switch

■ PUZ-HWM140VHA(-BS)

Outdoor unit

SYMBOL	NAME	SYMBOL	NAME
TB1	Terminal Block (Power Supply)	CY1, CY2	Capacitor
TB2	Terminal Block (Indoor/Outdoor)	P. B.	Power Circuit Board
MC	Motor for Compressor	N. F.	Noise Filter Circuit Board
MF1, MF2	Fan Motor	C. B.	Controller Circuit Board
21S4	Solenoid Valve Coil (4-Way Valve)	SW1	Switch (Manual Defrost, Defect History Record Reset, Function Switch)
63H	High Pressure Switch	SW4	Switch (Function Switch)
63HS	Pressure Sensor	SW5	Switch (Function Switch)
TH3	Thermistor (Liquid)	SW6	Switch (Function Switch, Model Select)
TH4	Thermistor (Discharge)	SW7	Switch (Function Switch)
TH6	Thermistor (2-Phase pipe)	SW8	Switch (Function Switch)
TH7	Thermistor (Ambient)	SW9	Switch (Function Switch)
TH8	Thermistor (Heat Sink)	SV1/CH	Connector (Connection for Option)
TH32	Thermistor (Suction)	SV3/SS	Connector (Connection for Option)
TH33	Thermistor (Comp. Surface)	CNDM	Connector (Connection for Option)
TH34	Thermistor (Plate Hex Liquid)	F1, F2	Fuse (T10AL250V)
LEV-A, LEV-B, LEV-C	Linear Expansion Valve	F3, F4	Fuse (T6.3AL250V)
DCL1, DCL2, DCL3	Reactor		



*1 MODEL SELECT
The black square ■ indicates a switch position.

MODEL	SW6 *2
140V	ON OFF 1 2 3 4 5 6 7 8

*2 SW6-1 to 3 : Function Switch

*3 Ambient temp. of ZUBADAN Flash Injection becomes effective.
The black square ■ indicates a switch position.

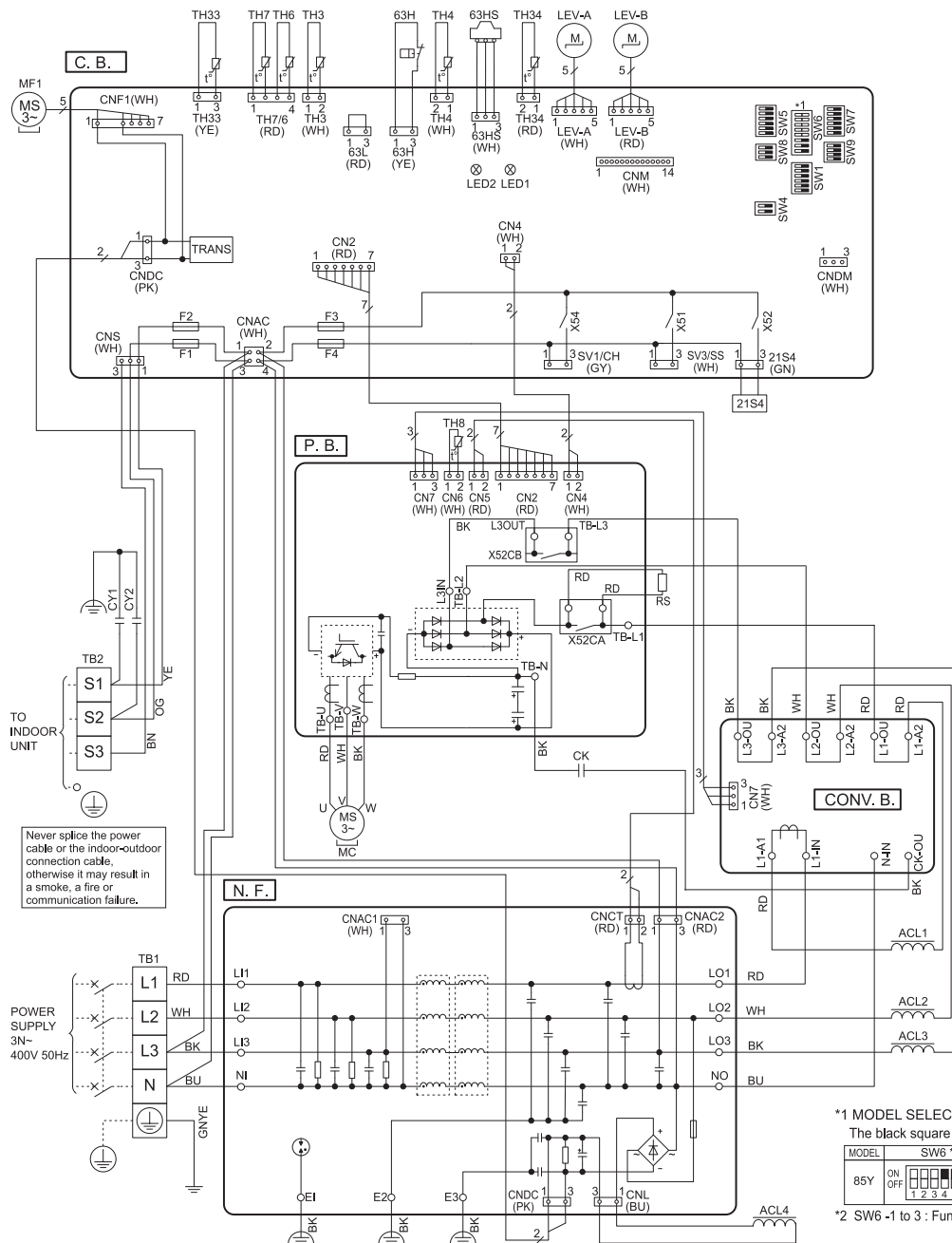
Ambient temp.	SW9-3, 9-4 *4	Ambient temp.	SW9-3, 9-4 *4	Ambient temp.	SW9-3, 9-4 *4	Ambient temp.	SW9-3, 9-4 *4
3°C or less (Default setting)	ON OFF 1 2 3 4	0°C or less	ON OFF 1 2 3 4	-3°C or less	ON OFF 1 2 3 4	-6°C or less	ON OFF 1 2 3 4

*4 SW9-1 to 2 : Function Switch

■ PUZ-WM85YAA
PUZ-WM85YAA-BS

PUZ-WM112YAA
PUZ-WM112YAA-BS

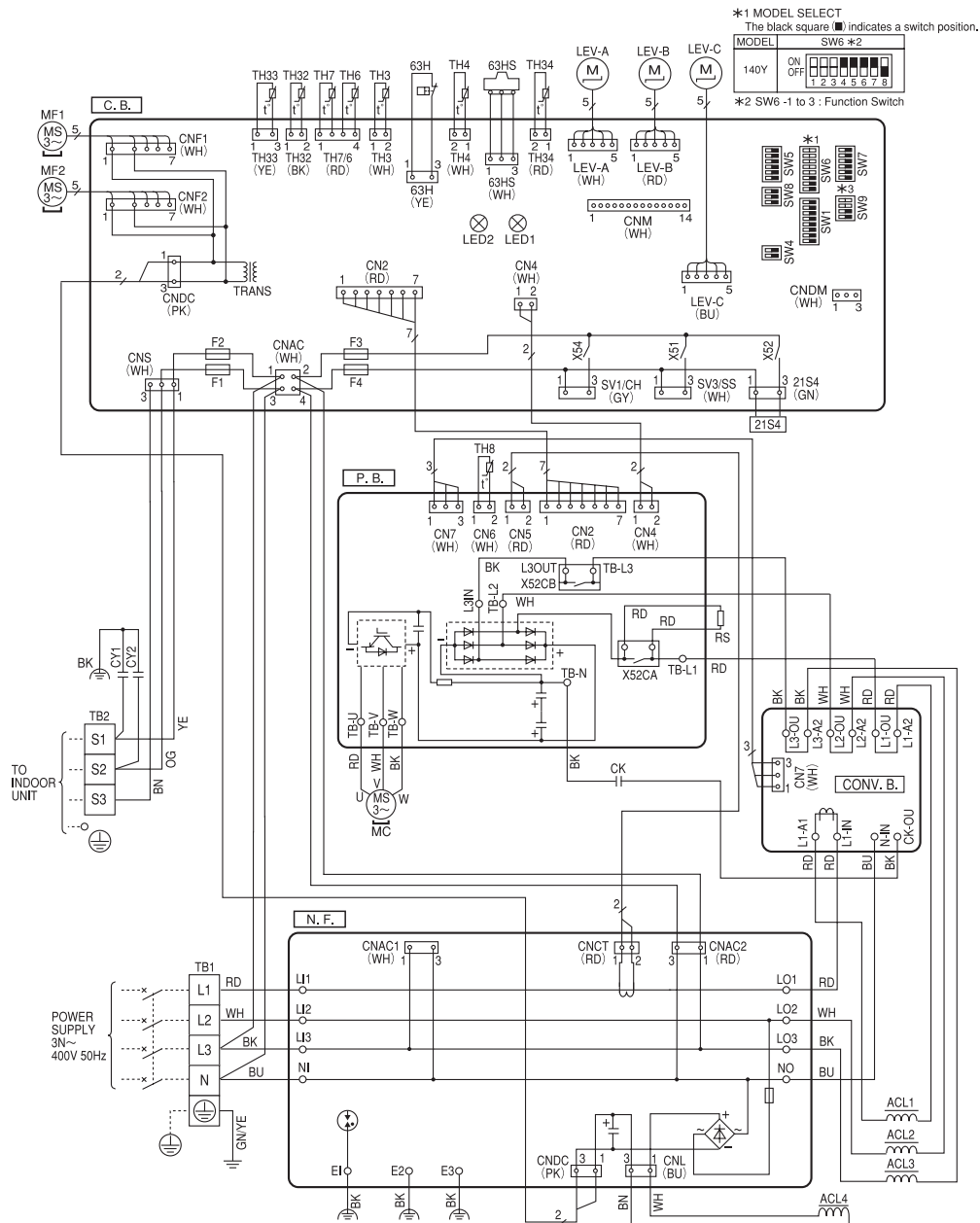
SYMBOL	NAME	SYMBOL	NAME
TB1	Terminal Block <Power Supply>	P. B.	Power Circuit Board
TB2	Terminal Block <Indoor/Outdoor>	N. F.	Noise Filter Circuit Board
MC	Motor for Compressor	CONV. B.	Converter Circuit Board
MF1	Fan Motor	C. B.	Controller Circuit Board
21S4	Solenoid Valve (4-Way Valve)	SW1	Switch <Manual Defrost, Defect History Record Reset, Refrigerant Address>
63H	High Pressure Switch	SW4	Switch <Function Switch>
63HS	Pressure Sensor	SW5	Switch <Function Switch>
TH3	Thermistor <Liquid>	SW6	Switch <Function Switch, Model Select>
TH4	Thermistor <Discharge>	SW7	Switch <Function Switch>
TH6	Thermistor <2-Phase Pipe>	SW8	Switch <Function Switch>
TH7	Thermistor <Ambient>	SW9	Switch <Function Switch>
TH8	Thermistor <Heat Sink>	CNDM	Connector <Connection for Option>
TH33	Thermistor <Comp. Surface>	SV1/CH	Connector <Connection for Option>
TH34	Thermistor <Plate Hex Liquid>	SV3/SS	Connector <Connection for Option>
LEV-A, LEV-B	Linear Expansion Valve	CNM	Connector <Connection for Option>
ACL1, ACL2, ACL3, ACL4	Reactor	F1, F2, F3, F4	Fuse <T6.3AL250V>
CY1, CY2	Capacitor		
CK	Capacitor		
RS	Rush Current Protect Resistor		



■ PUZ-HWM140YHA(-BS)

Outdoor unit

SYMBOL	NAME	SYMBOL	NAME	
TB1	Terminal Block (Power Supply)	RS	Rush Current Protect Resistor	
TB2	Terminal Block (Indoor/Outdoor)	P. B.	Power Circuit Board	
MC	Motor for Compressor	N. F.	Noise Filter Circuit Board	
MF1, MF2	Fan Motor	CONV. B.	Converter Circuit Board	
21S4	Solenoid Valve Coil (4-Way Valve)	C. B.	Controller Circuit Board	
63H	High Pressure Switch	SW1	Switch (Manual Defrost, Defect History Record Reset, Function Switch)	
63HS	Pressure Sensor		SW4	Switch (Function Switch)
TH3	Thermistor (Liquid)		SW5	Switch (Function Switch)
TH4	Thermistor (Discharge)		SW6	Switch (Function Switch, Model Select)
TH6	Thermistor (2-Phase pipe)		SW7	Switch (Function Switch)
TH7	Thermistor (Ambient)		SW8	Switch (Function Switch)
TH8	Thermistor (Heat Sink)		SW9	Switch (Function Switch)
TH32	Thermistor (Suction)		CNDM	Connector (Connection for Option)
TH33	Thermistor (Comp. Surface)		SV1/CH	Connector (Connection for Option)
TH34	Thermistor (Plate Hex Liquid)		SV3/SS	Connector (Connection for Option)
LEV-A, LEV-B, LEV-C	Linear Expansion Valve	F1, F2	Fuse (T10AL250V)	
ACL1, ACL2, ACL3, ACL4	Reactor	F3, F4	Fuse (T6.3AL250V)	
CY1, CY2	Capacitor			
CK	Capacitor			



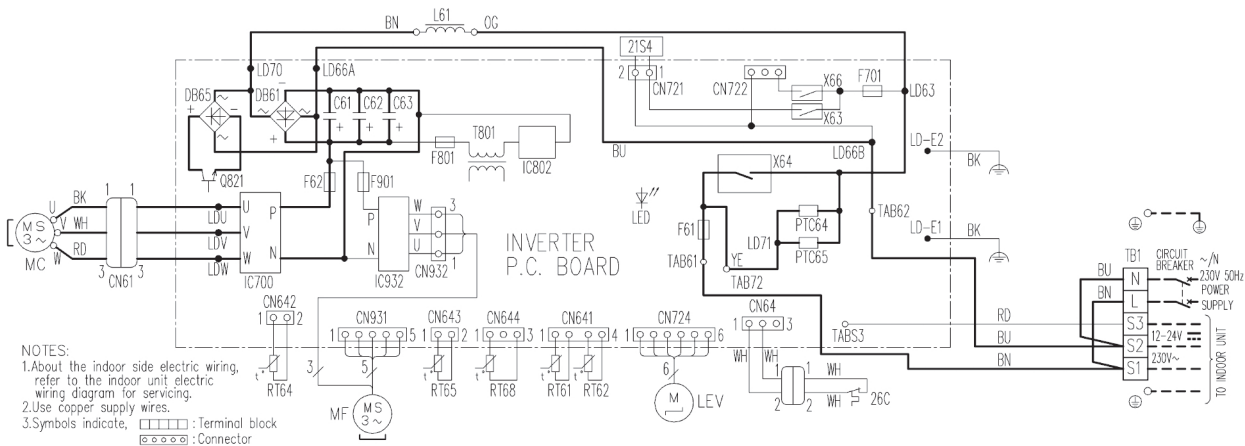
*3 Ambient temp. of ZUBADAN Flash Injection becomes effective.

The black square ■ indicates a switch position.

Ambient temp.	SW9-3, 9-4 *4	Ambient temp.	SW9-3, 9-4 *4	Ambient temp.	SW9-3, 9-4 *4	Ambient temp.	SW9-3, 9-4 *4
3°C or less (Default setting)	ON OFF ■ ■ ■ ■ 1 2 3 4	0°C or less	ON OFF ■ ■ ■ ■ 1 2 3 4	-3°C or less	ON OFF ■ ■ ■ ■ 1 2 3 4	-6°C or less	ON OFF ■ ■ ■ ■ 1 2 3 4

*4 SW9 -1 to 2 : Function Switch

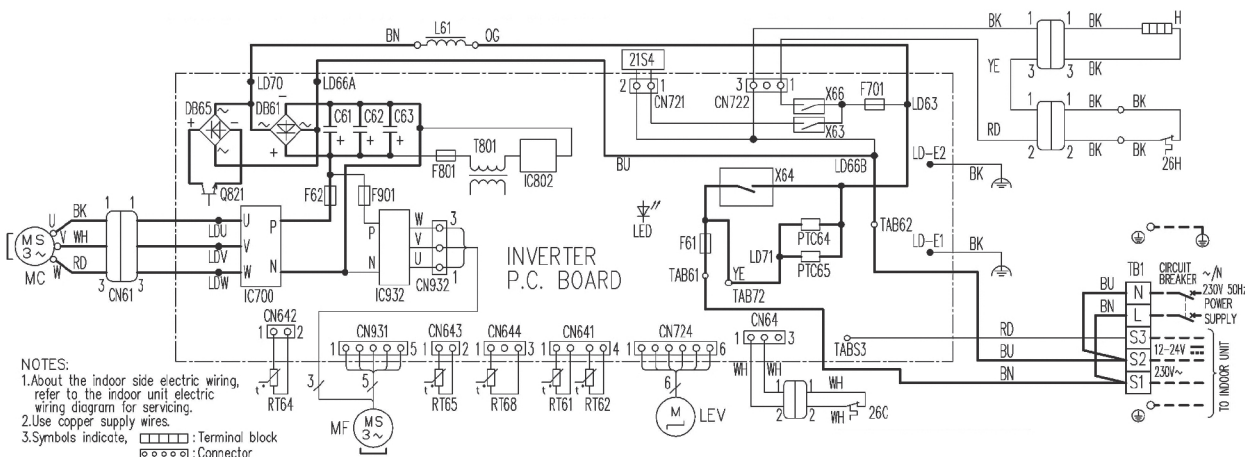
■ SUZ-SWM30VA SUZ-SWM40VA2 SUZ-SWM40VA2-SC SUZ-SWM60VA2 SUZ-SWM60VA2-SC



- NOTES:
- About the indoor side electric wiring, refer to the indoor unit electric wiring diagram for servicing.
 - Use copper supply wires.
 - Symbols indicate, : Terminal block
 : Connector
 - Before the first time operation, refer to check the outdoor installation manual.

[LEGEND]					
SYMBOL	NAME	SYMBOL	NAME	SYMBOL	NAME
CN61	CONNECTOR	LEV	EXPANSION VALVE COIL	RT65	AMBIENT TEMP. THERMISTOR
C61, C62, C63	SMOOTHING CAPACITOR	L61	REACTOR	RT68	OUTDOOR HEAT EXCHANGER TEMP. THERMISTOR
DB61, DB65	DIODE MODULE	MC	COMPRESSOR	TB1	TERMINAL BLOCK
F61	FUSE (25A 250V)	MF	FAN MOTOR	T801	TRANSFORMER
F62	FUSE (15A 250V)	PTC64, PTC65	CIRCUIT PROTECTION	X63, X64, X66	RELAY
F701, F801, F901	FUSE (13.15A/250V)	Q821	SWITCHING POWER TRANSISTOR	Z1S4	REVERSING VALVE COIL
IC700, IC932	POWER MODULE	RT61	DEFROST THERMISTOR	Z6C	COMPRESSOR PROTECTOR
IC802	POWER DEVICE	RT62	DISCHARGE TEMP. THERMISTOR		
LED	LED	RT64	FIN TEMP. THERMISTOR		

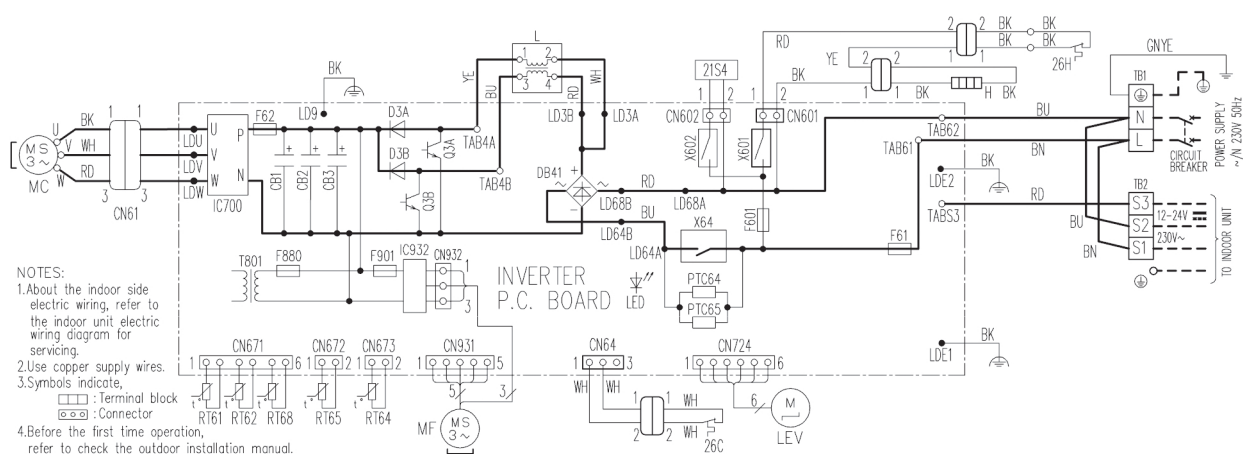
■ SUZ-SHWM30VAH SUZ-SHWM40VAH SUZ-SHWM40VAH-SC



- NOTES:
- About the indoor side electric wiring, refer to the indoor unit electric wiring diagram for servicing.
 - Use copper supply wires.
 - Symbols indicate, : Terminal block
 : Connector
 - Before the first time operation, refer to check the outdoor installation manual.

[LEGEND]					
SYMBOL	NAME	SYMBOL	NAME	SYMBOL	NAME
CN61	CONNECTOR	LEV	EXPANSION VALVE COIL	RT68	OUTDOOR HEAT EXCHANGER TEMP. THERMISTOR
C61, C62, C63	SMOOTHING CAPACITOR	L61	REACTOR	TB1	TERMINAL BLOCK
DB61, DB65	DIODE MODULE	MC	COMPRESSOR	T801	TRANSFORMER
F61	FUSE (25A 250V)	MF	FAN MOTOR	X63, X64, X66	RELAY
F62	FUSE (15A 250V)	PTC64, PTC65	CIRCUIT PROTECTION	Z1S4	REVERSING VALVE COIL
F701, F801, F901	FUSE (13.15A/250V)	Q821	SWITCHING POWER TRANSISTOR	Z6C	COMPRESSOR PROTECTOR
IC700, IC932	POWER MODULE	RT61	DEFROST THERMISTOR		
IC802	POWER DEVICE	RT62	DISCHARGE TEMP. THERMISTOR		
LED	LED	RT64	FIN TEMP. THERMISTOR		
		RT65	AMBIENT TEMP. THERMISTOR		

SUZ-SHWM60VAH
SUZ-SHWM60VAH-SC
SUZ-SWM80VAH2
SUZ-SWM100VAH

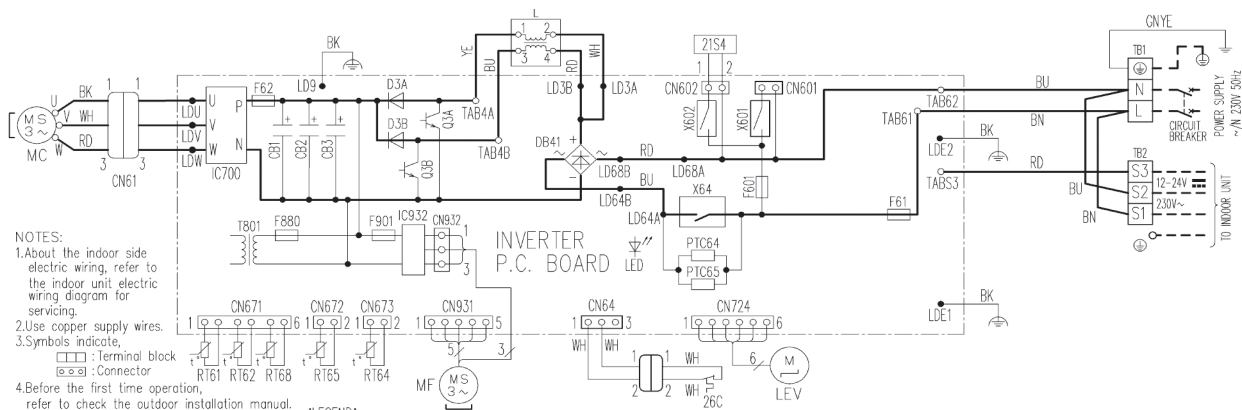


- NOTES:
- About the indoor side electric wiring, refer to the indoor unit electric wiring diagram for servicing.
 - Use copper supply wires.
 - Symbols indicate,
 - : Terminal block
 - ⊗ : Connector
 - Before the first time operation, refer to check the outdoor installation manual.

LEGEND1

SYMBOL	NAME	SYMBOL	NAME	SYMBOL	NAME
CB1, CB2, CB3	SMOOTHING CAPACITOR	L	REACTOR	RT65	AMBIENT TEMP. THERMISTOR
CN61	CONNECTOR	LEV	LED	RT68	OUTDOOR HEAT EXCHANGER TEMP. THERMISTOR
DB41	DIODE MODULE	MC	COMPRESSOR	TB1, TB2	TERMINAL BLOCK
D3A, D3B	DIODE	MF	FAN MOTOR	T801	TRANSFORMER
F61	FUSE (13.15A/250V)	PTC64, PTC65	CIRCUIT PROTECTION	X601, X602	RELAY
F62	FUSE (15A/250V)	Q3A, Q3B	SWITCHING POWER TRANSISTOR	X64	RELAY
F880, F901	FUSE (13.15A/250V)	R161	DEFROST THERMISTOR	21S4	REVERSING VALVE COIL
H	DEFROST HEATER	R162	DISCHARGE TEMP. THERMISTOR	26C	COMPRESSOR PROTECTOR
IC700, IC932	POWER MODULE	R164	FIN TEMP. THERMISTOR	26H	HEATER PROTECTOR

SUZ-SWM80VA2
SUZ-SWM100VA



- NOTES:
- About the indoor side electric wiring, refer to the indoor unit electric wiring diagram for servicing.
 - Use copper supply wires.
 - Symbols indicate,
 - : Terminal block
 - ⊗ : Connector
 - Before the first time operation, refer to check the outdoor installation manual.

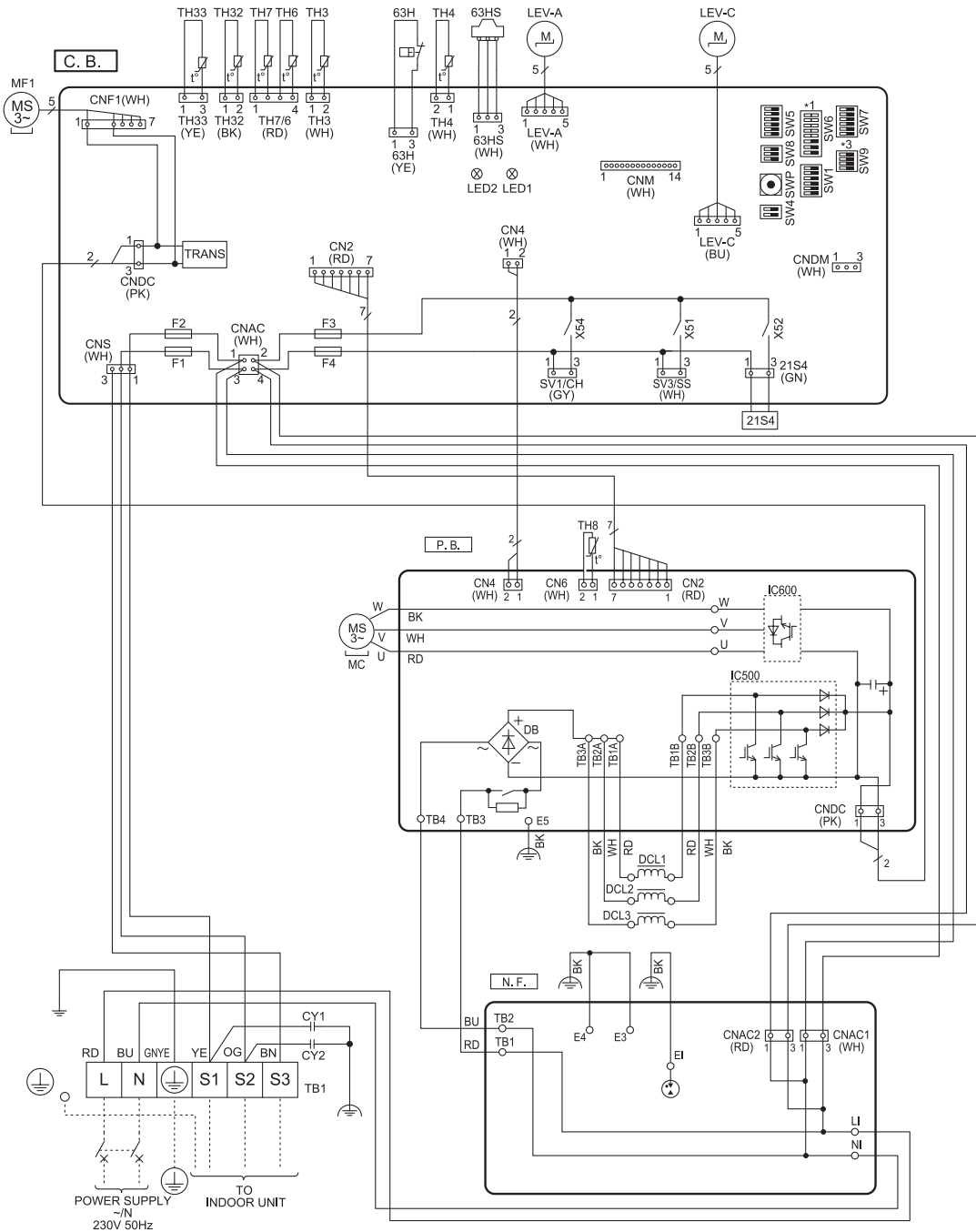
LEGEND1

SYMBOL	NAME	SYMBOL	NAME	SYMBOL	NAME
CB1, CB2, CB3	SMOOTHING CAPACITOR	L	REACTOR	RT65	AMBIENT TEMP. THERMISTOR
CN61	CONNECTOR	LEV	LED	RT68	OUTDOOR HEAT EXCHANGER TEMP. THERMISTOR
DB41	DIODE MODULE	MC	COMPRESSOR	TB1, TB2	TERMINAL BLOCK
D3A, D3B	DIODE	MF	FAN MOTOR	T801	TRANSFORMER
F61	FUSE (13.15A/250V)	PTC64, PTC65	CIRCUIT PROTECTION	X601, X602	RELAY
F62	FUSE (15A/250V)	Q3A, Q3B	SWITCHING POWER TRANSISTOR	X64	RELAY
F880, F901	FUSE (13.15A/250V)	R161	DEFROST THERMISTOR	21S4	REVERSING VALVE COIL
IC700, IC932	POWER MODULE	R162	DISCHARGE TEMP. THERMISTOR	26C	COMPRESSOR PROTECTOR
L	REACTOR	R164	FIN TEMP. THERMISTOR	26H	HEATER PROTECTOR

■ PUD-SHWM140VAA(-BS)

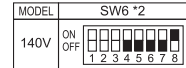
Outdoor unit

SYMBOL	NAME	SYMBOL	NAME
TB1	Terminal Block <Power Supply, Indoor/Outdoor>	N. F.	Noise Filter Circuit Board
MC	Motor for Compressor	C. B.	Controller Circuit Board
MF1	Fan Motor	SW1	Switch <Manual Defrost, Defect History Record Reset, Refrigerant Address>
21S4	Solenoid Valve (4-Way Valve)	SW4	Switch <Function Switch>
63H	High Pressure Switch	SW5	Switch <Function Switch>
63HS	High Pressure Sensor	SW6	Switch <Function Switch, Model Select>
TH3	Thermistor <Liquid>	SW7	Switch <Function Switch>
TH4	Thermistor <Discharge>	SW8	Switch <Function Switch>
TH6	Thermistor <2-Phase Pipe>	SW9	Switch <Function Switch>
TH7	Thermistor <Ambient>	SI/P	Switch <Pump Down>
TH8	Thermistor <Heat Sink>	CNDM	Connector <Connection for Option>
TH32	Thermistor <Suction>	SV1/CH	Connector <Connection for Option>
TH33	Thermistor <Comp. Surface>	SV3/SS	Connector <Connection for Option>
LEV-A, LEV-C	Linear Expansion Valve	CNM	Connector <Connection for Option>
DCL1, DCL2, DCL3	Reactor	F1, F2, F3, F4	Fuse <T6.3AL250V>
CY1, CY2	Capacitor		
P. B.	Power Circuit Board		



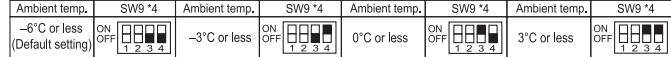
Never splice the power cable or the indoor-outdoor connection cable, otherwise it may result in a smoke, a fire or communication failure.

*1 MODEL SELECT
The black square (■) indicates a switch position.



*2 SW6-1 to 3 : Function Switch

*3 SW9-3 to 4: Function Switch
Ambient temp. of ZUBADAN Flash Injection becomes effective.
The black square (■) indicates a switch position.



*4 SW9-1 to 2 : Function Switch

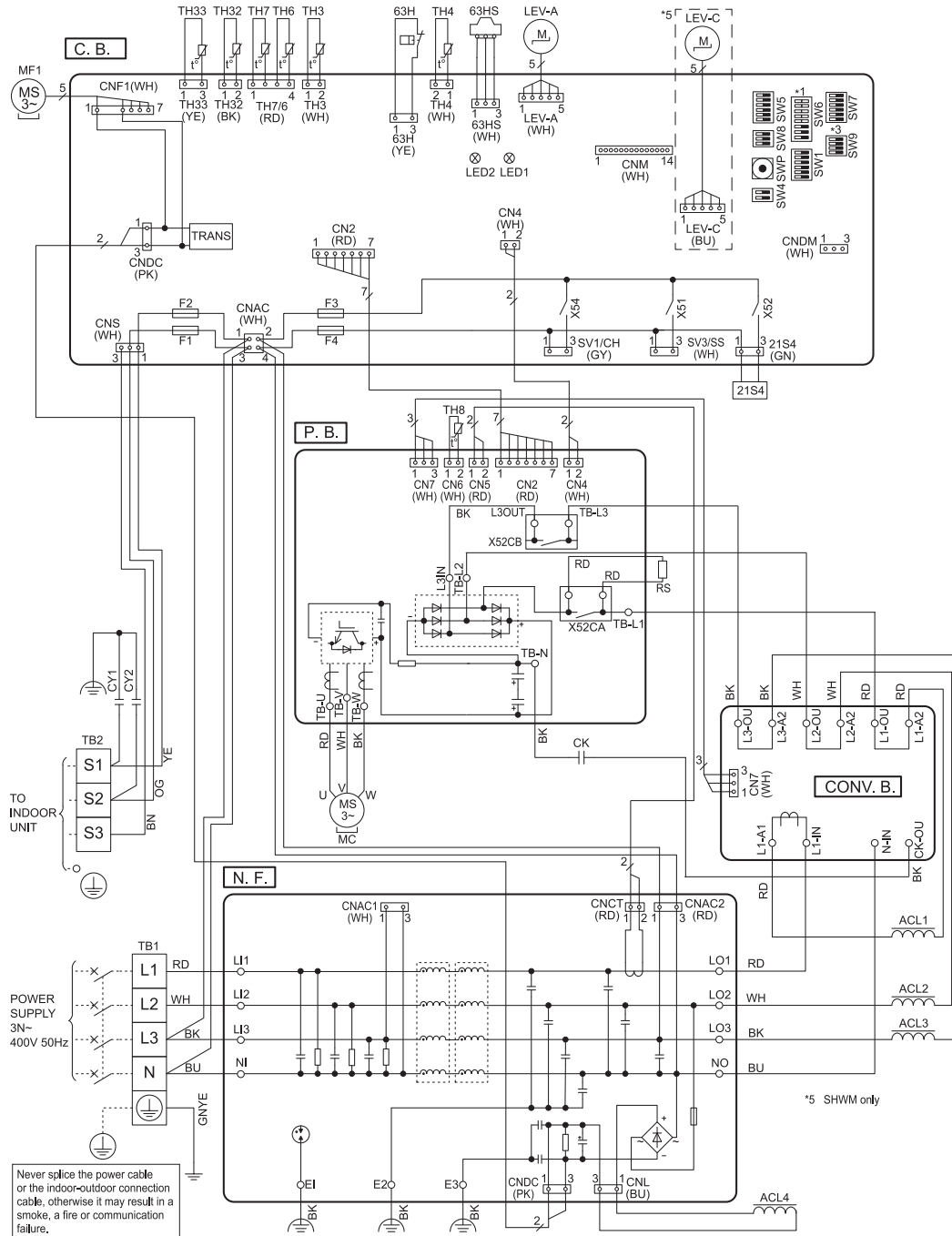
■ PUD-SWM80YAA(-BS)
PUD-SHWM80YAA(-BS)

PUD-SWM100YAA(-BS)
PUD-SHWM100YAA(-BS)

PUD-SWM120YAA(-BS)
PUD-SHWM120YAA(-BS)

PUD-SHWM140YAA(-BS)

SYMBOL	NAME	SYMBOL	NAME	SYMBOL	NAME
TB1	Terminal Block <Power Supply>	LEV-A, LEV-C	Linear Expansion Valve	SW6	Switch <Function Switch, Model Select>
TB2	Terminal Block <Indoor/Outdoor>	ACL1, ACL2	Reactor	SW7	Switch <Function Switch>
MC	Motor for Compressor	ACL3, ACL4	Capacitor	SW8	Switch <Function Switch>
MF1	Fan Motor	CY1, CY2	Capacitor	SW9	Switch <Function Switch>
21S4	Solenoid Valve (4-Way Valve)	CK	Capacitor	SWP	Switch <Pump Down>
63H	High Pressure Switch	RS	Rush Current Protect Resistor	CNDM	Connector <Connection for Option>
63HS	High Pressure Sensor	P. B.	Power Circuit Board	SV1/CH	Connector <Connection for Option>
TH3	Thermistor <Liquid>	N. F.	Noise Filter Circuit Board	SV3/SS	Connector <Connection for Option>
TH4	Thermistor <Discharge>	CONV. B.	Converter Circuit Board	CNM	Connector <Connection for Option>
TH6	Thermistor <2-Phase Pipe>	C. B.	Controller Circuit Board	F1, F2, F3, F4	Fuse <T6.3AL250V>
TH7	Thermistor <Ambient>				
TH8	Thermistor <Heat Sink>	SW1	Switch <Manual Defrost, Defect History Record Reset, Refrigerant Address>		
TH32	Thermistor <Suction>	SW4	Switch <Function Switch>		
TH33	Thermistor <Comp. Surface>	SW5	Switch <Function Switch>		



Never splice the power cable or the indoor-outdoor connection cable, otherwise it may result in a smoke, a fire or communication failure.

*1 MODEL SELECT
The black square (■) indicates a switch position.

MODEL	SW6 *2	MODEL	SW6 *2
80Y	ON OFF [■] [■] [■] [■] [■] [■] [■] [■]	100Y	ON OFF [■] [■] [■] [■] [■] [■] [■] [■]
120Y	ON OFF [■] [■] [■] [■] [■] [■] [■] [■]	140Y	ON OFF [■] [■] [■] [■] [■] [■] [■] [■]

*2 SW6-1 to 3 : Function Switch

*3 SW9-3 to 4: Function Switch for SHWM only
Ambient temp. of ZUBADAN Flash Injection becomes effective.
The black square (■) indicates a switch position.

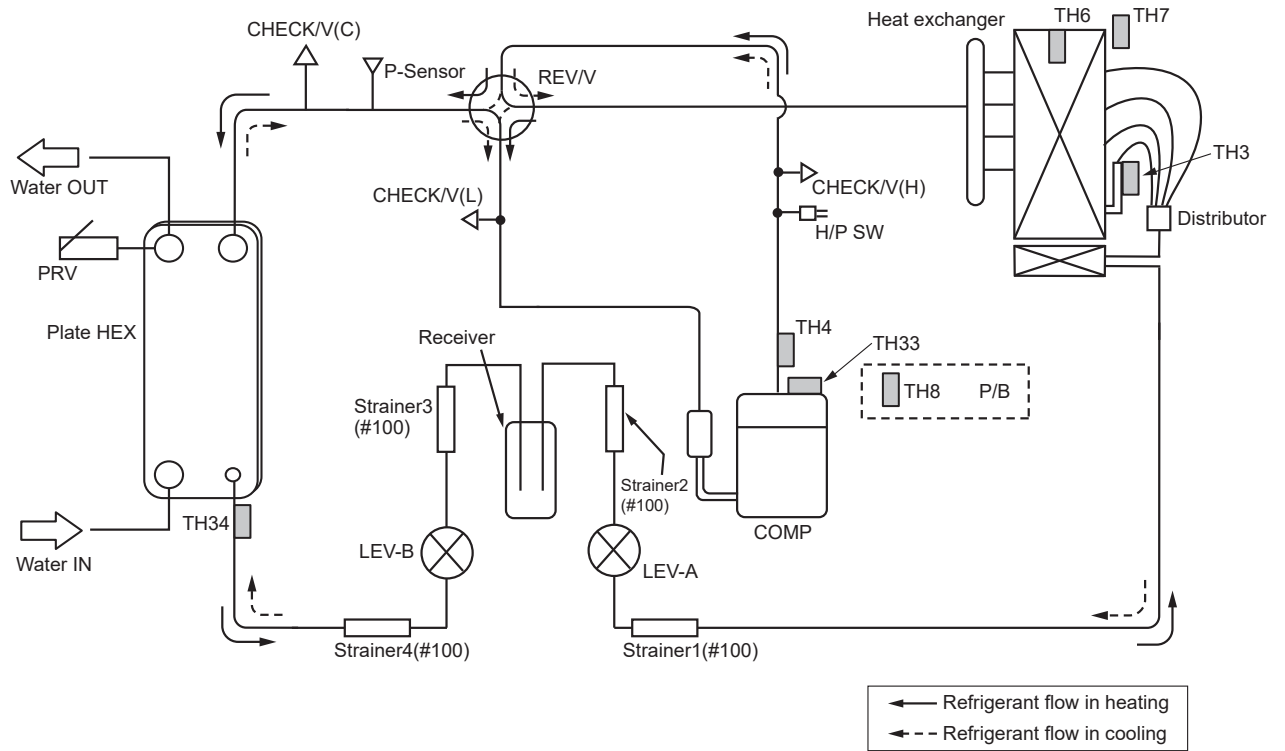
Ambient temp.	SW9 *4	Ambient temp.	SW9 *4	Ambient temp.	SW9 *4	Ambient temp.	SW9 *4
-6°C or less (Default setting)	ON OFF [■] [■] [■] [■]	-3°C or less	ON OFF [■] [■] [■] [■]	0°C or less	ON OFF [■] [■] [■] [■]	3°C or less	ON OFF [■] [■] [■] [■]

*4 SW9-1 to 2 : Function Switch

(1) Packaged-type units

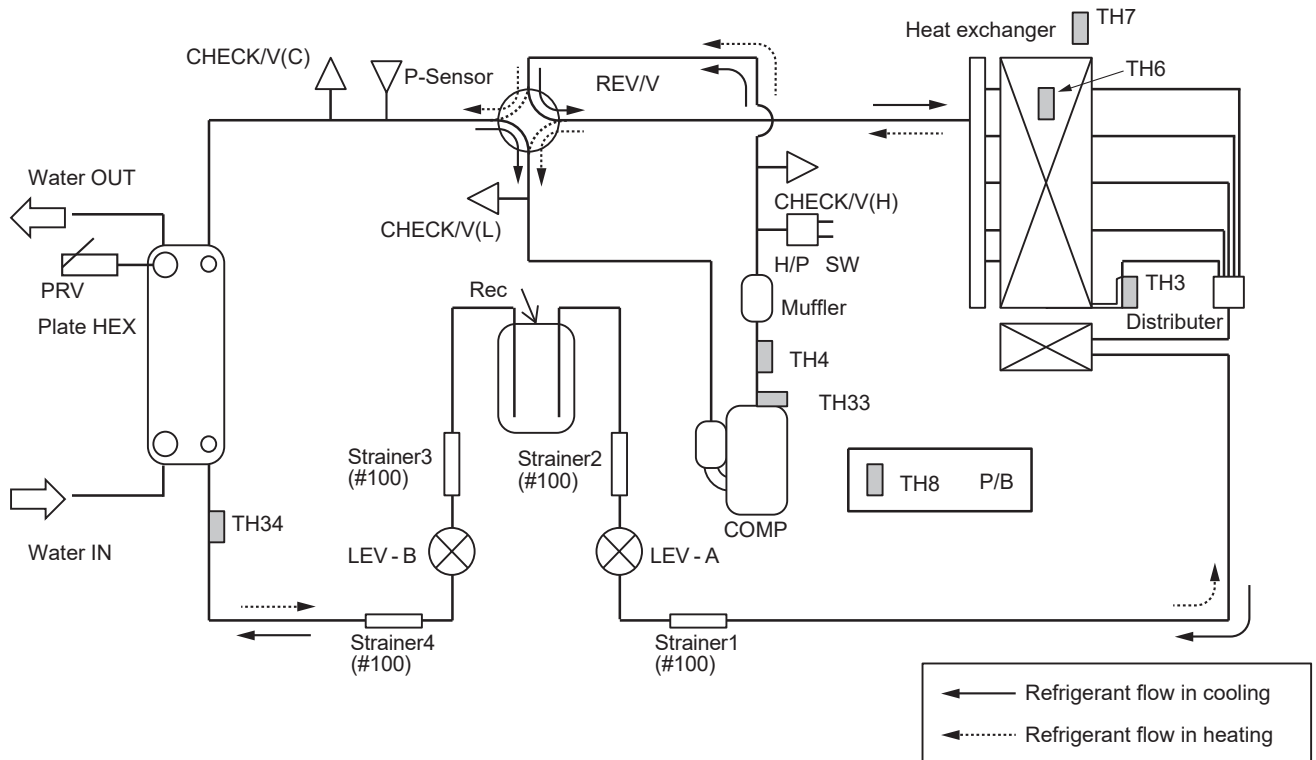
■ PUZ-WM50VHA(-BS)

Unit : mm



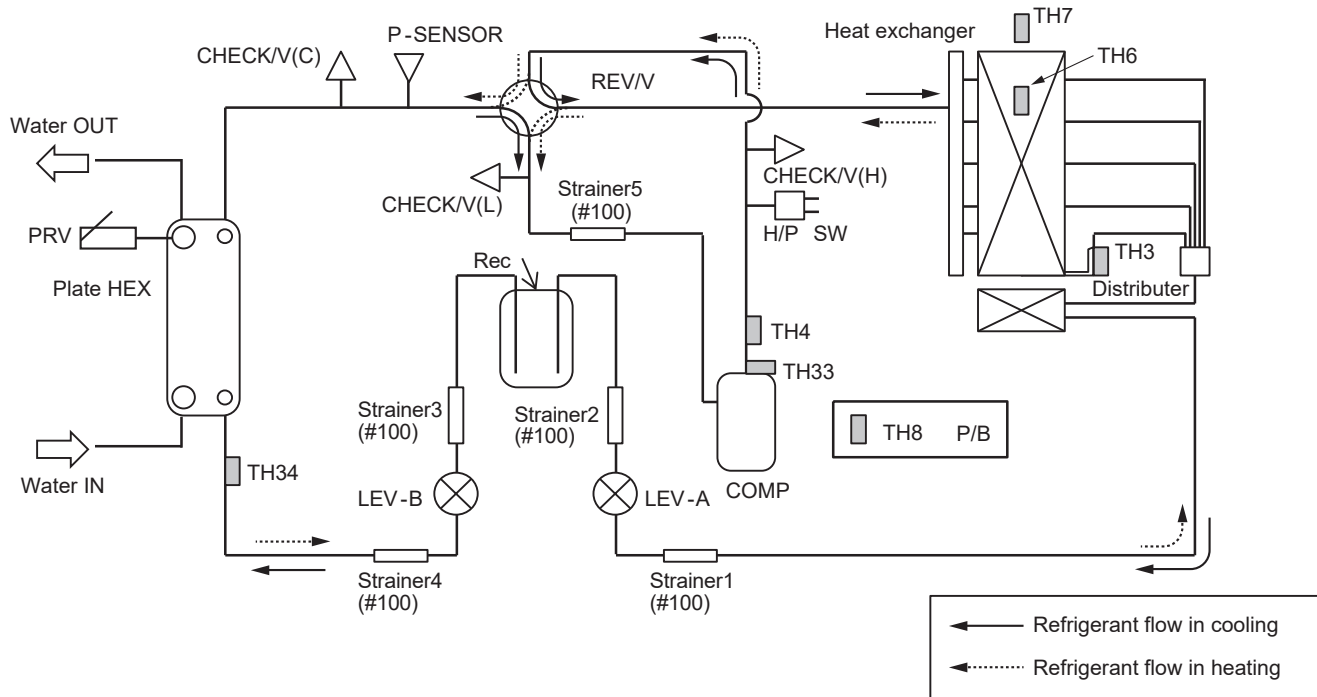
■ PUZ-WM60VAA(-BS) PUZ-WM85VAA(-BS)

Unit : mm



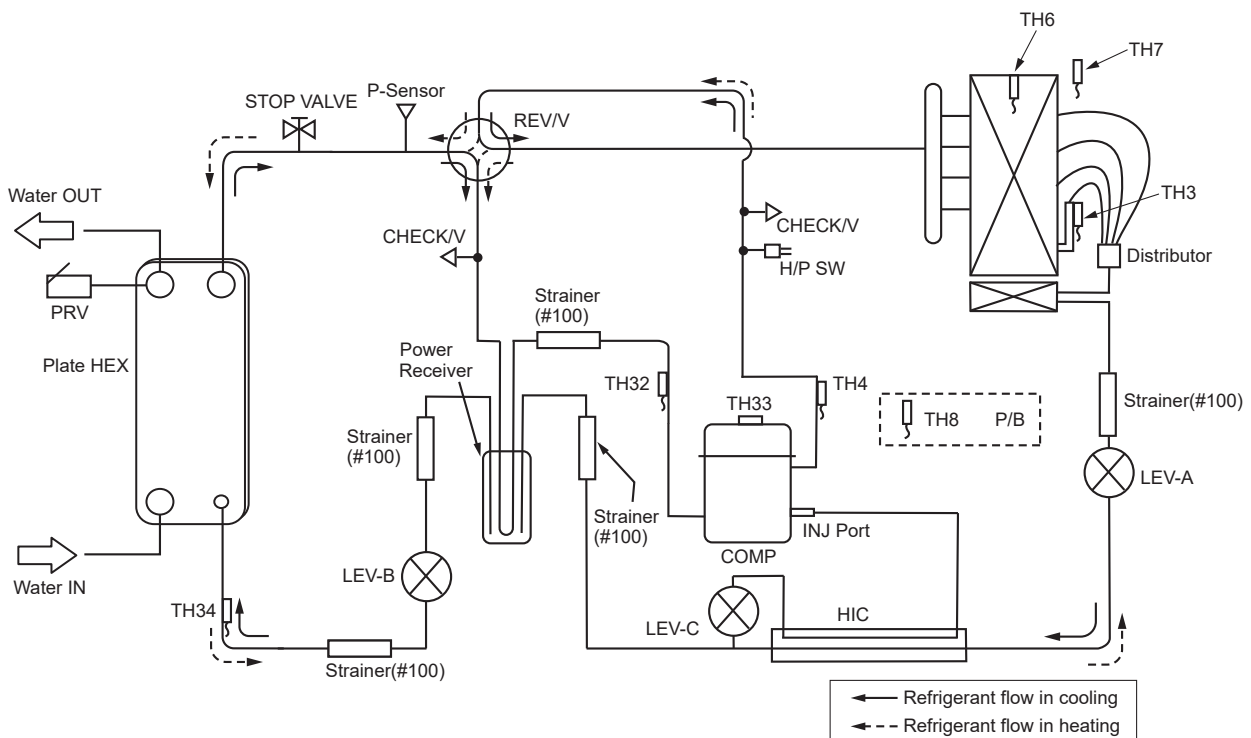
■ PUZ-WM112VAA(-BS)
PUZ-WM112YAA(-BS)

Unit : mm



■ PUZ-HWM140VHA(-BS)
PUZ-HWM140YHA(-BS)

Unit : mm

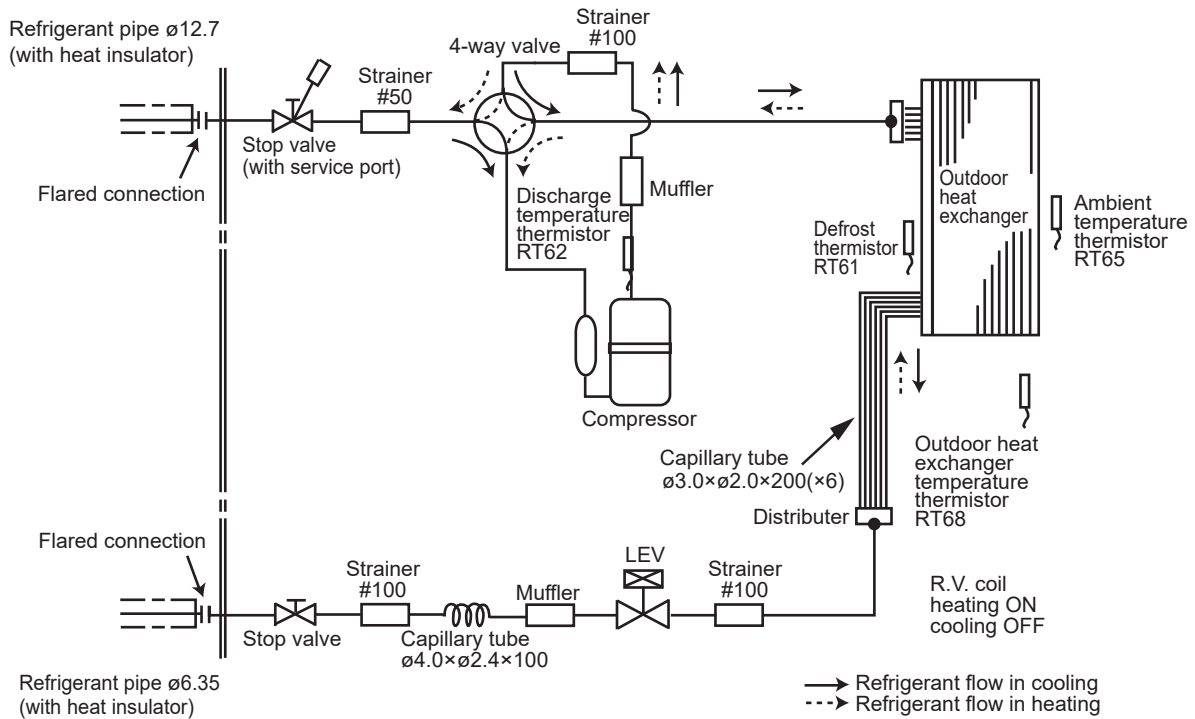


Outdoor unit

(2) Split-type units

- SUZ-SWM40VA
- SUZ-SWM60VA
- SUZ-SWM80VA

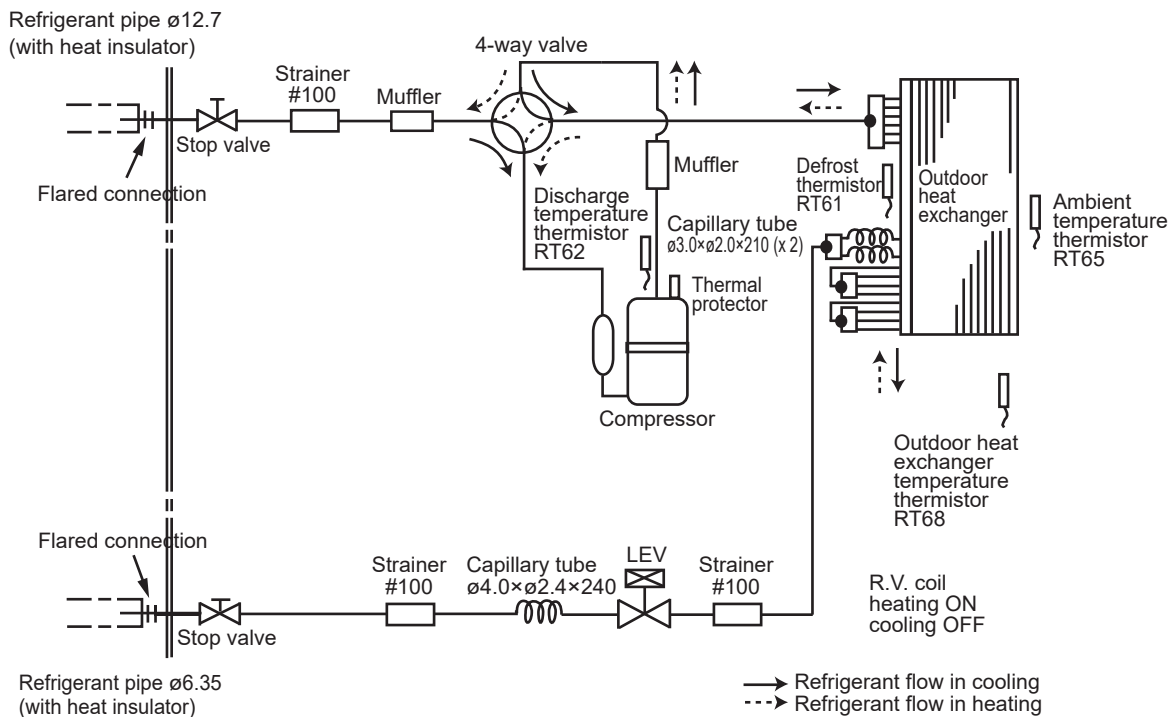
Unit : mm



Outdoor unit

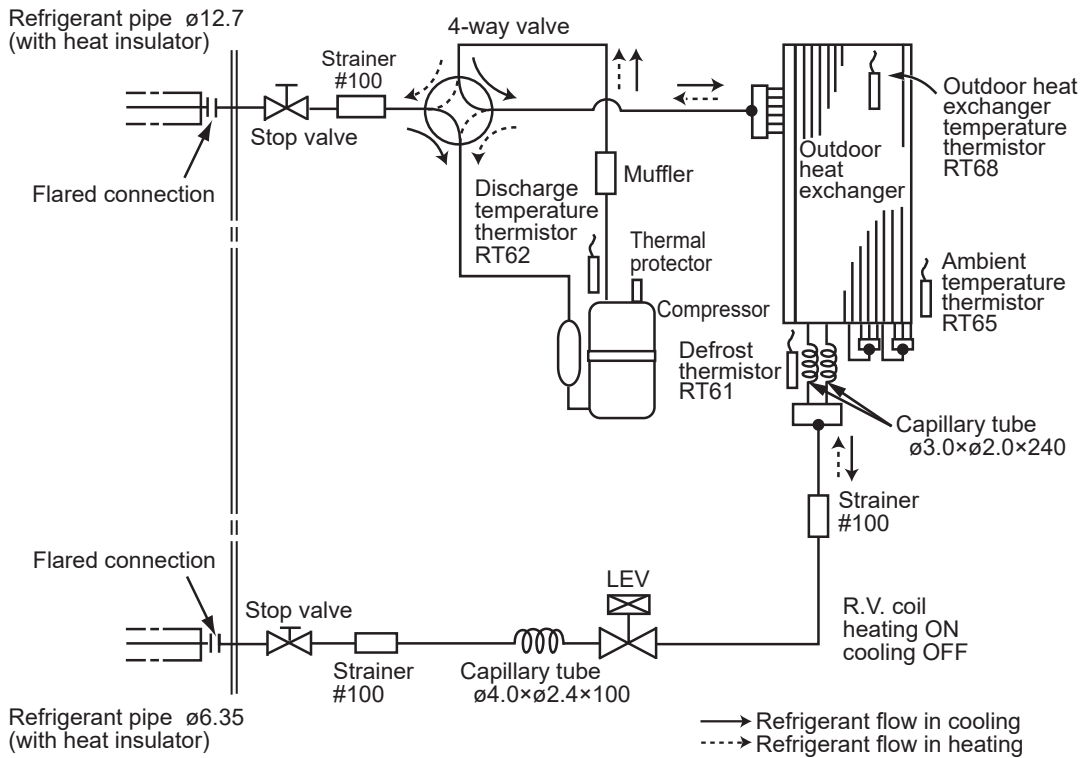
- SUZ-SWM30VA
- SUZ-SWM40VA2
- SUZ-SHWM40VAH
- SUZ-SWM60VA2
- SUZ-SHWM30VAH
- SUZ-SWM40VA2-SC
- SUZ-SHWM40VAH-SC
- SUZ-SWM60VA2-SC

Unit : mm



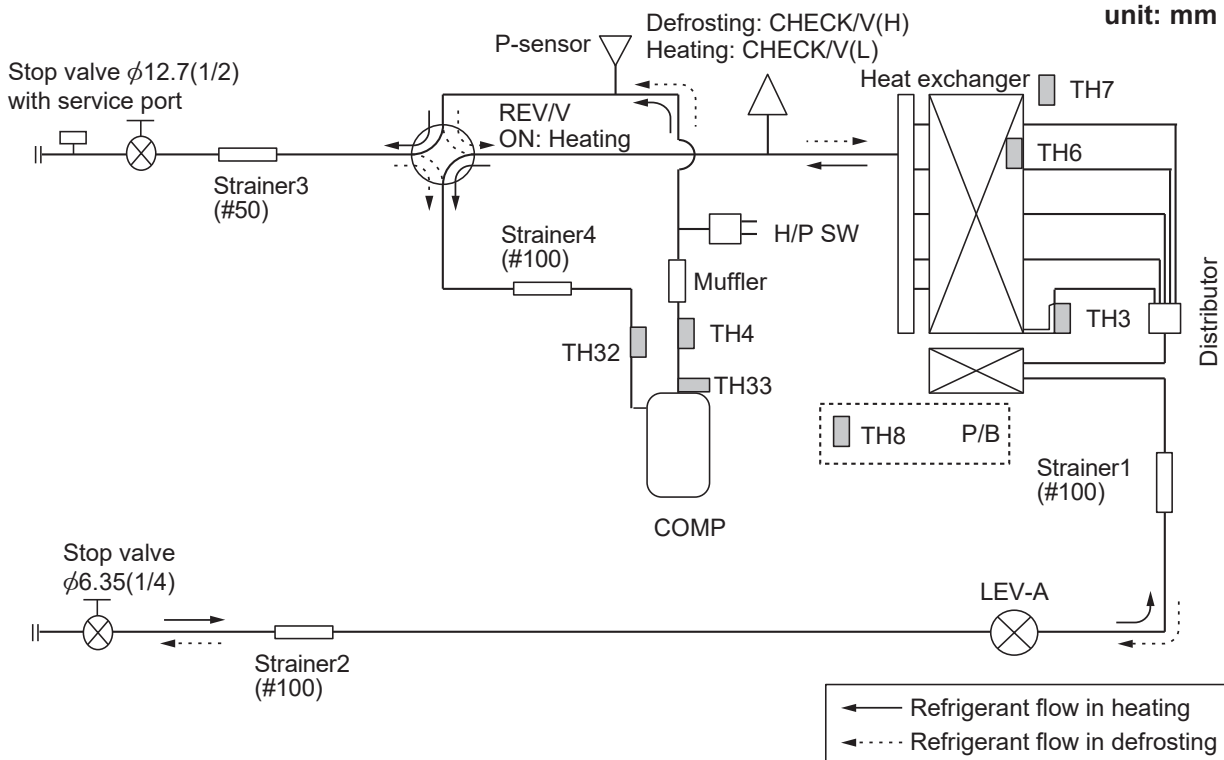
- SUZ-SHWM60VAH SUZ-SHWM60VAH-SC
- SUZ-SWM80VA2 SUZ-SWM80VAH2
- SUZ-SWM100VA SUZ-SWM100VAH

Unit : mm



- PUD-SWM60VAA(-BS) PUD-SWM80VAA(-BS) PUD-SWM80YAA(-BS) PUD-SWM100VAA(-BS)
- PUD-SWM100YAA(-BS) PUD-SWM120VAA(-BS) PUD-SWM120YAA(-BS)

unit: mm (in)



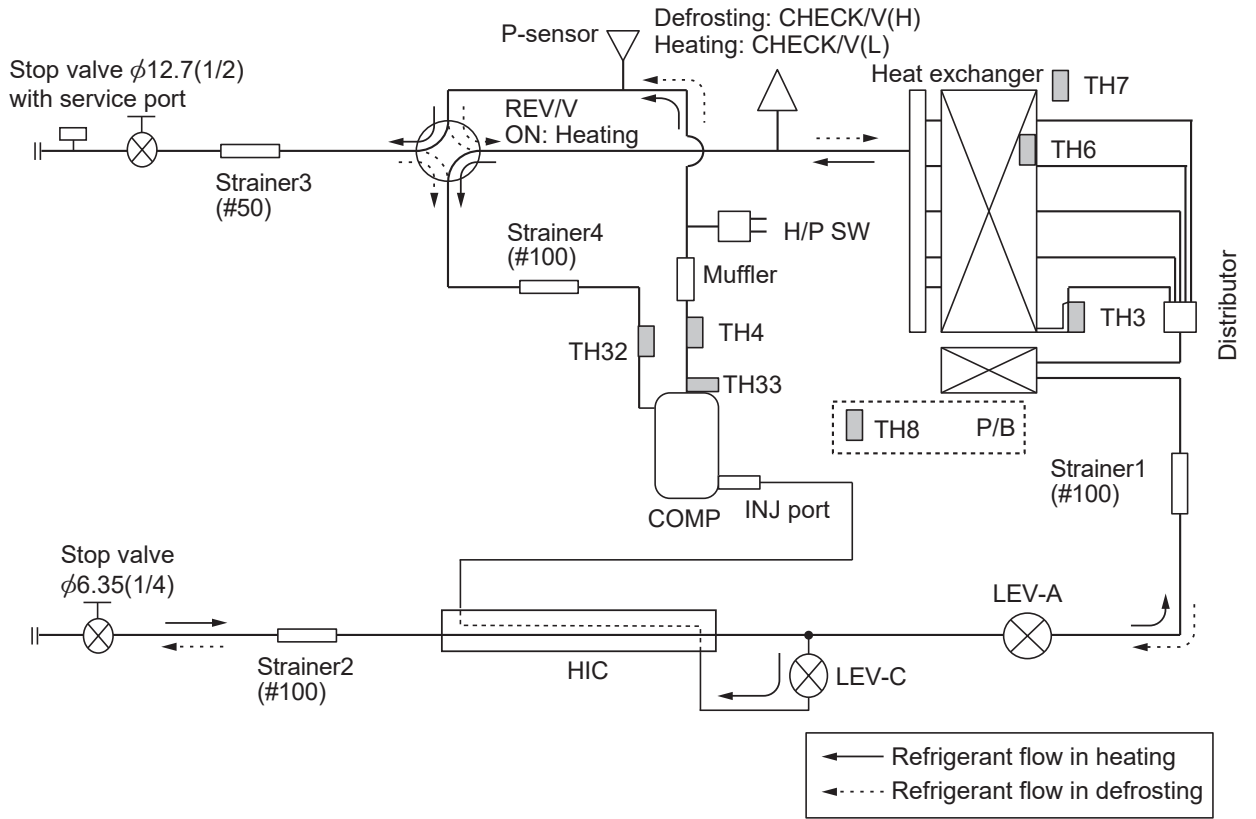
■ PUD-SHWM60VAA(-BS)
 PUD-SHWM100YAA(-BS)
 PUD-SHWM140YAA(-BS)

PUD-SHWM80VAA(-BS)
 PUD-SHWM120VAA(-BS)

PUD-SHWM80YAA(-BS)
 PUD-SHWM120YAA(-BS)

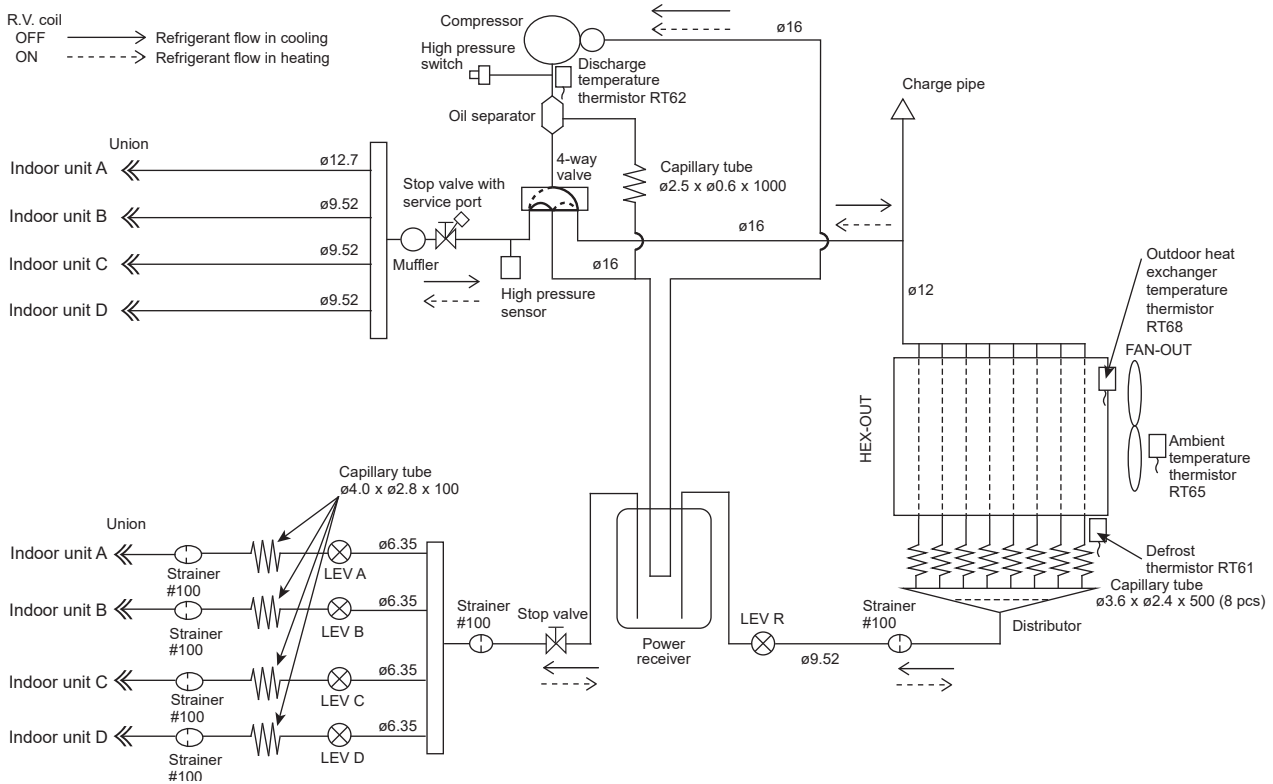
PUD-SHWM100VAA(-BS)
 PUD-SHWM140VAA(-BS)

unit: mm (in)



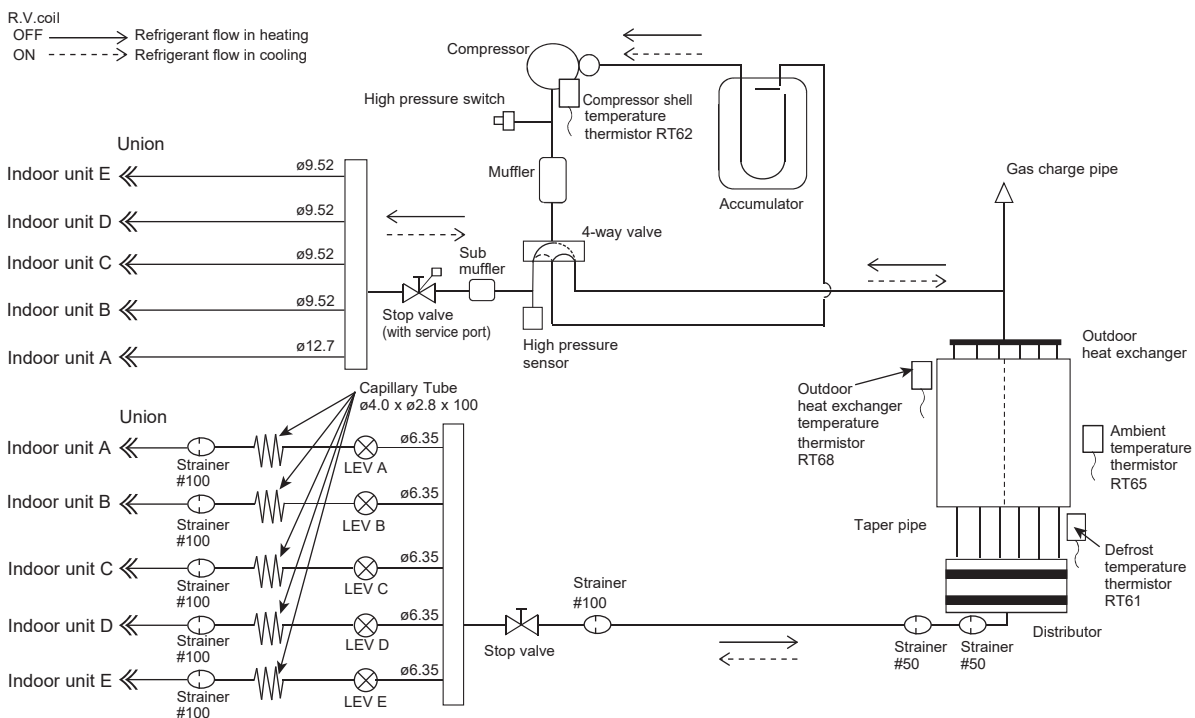
■ PXZ-4F75VG

Unit: mm




■ PXZ-5F85VG

Unit: mm



Definition of terms

- Max :Performance at Maximum compressor frequency
 Nominal :Performance at Nominal compressor frequency
 Mid :Performance at Medium compressor frequency (80% of Nominal)
 Min :Performance at Minimum compressor frequency

 :This icon means injection circuit is active.

NOTES:

- The reference data at water outlet temperatures of 35°C,40°C,45°C,50°C,55°C and 60°C are shown.
- Gray highlighted data means integrated data including defrost operation.
- Actual performance may vary depending on operating conditions.
- These data are measured based on EN14511-2013.

Nominal heating capacity

A7W35: Heating outside air DB 7°C/WB 6°C, Water outlet temperature 35°C ($\Delta T=5^{\circ}\text{C}$)

A7W45: Heating outside air DB 7°C/WB 6°C, Water outlet temperature 45°C ($\Delta T=5^{\circ}\text{C}$)

A2W35: Heating outside air DB 2°C/WB 1°C, Water outlet temperature 35°C ($\Delta T=5^{\circ}\text{C}$)

Nominal Cooling capacity

A35/W7: Cooling outside air DB 35°C, Water outlet temperature 7°C ($\Delta T=5^{\circ}\text{C}$)

A35/W18: Cooling outside air DB 35°C, Water outlet temperature 18°C ($\Delta T=5^{\circ}\text{C}$)

5.1 Cooling performance data

(1)Packaged-type units

■ Power inverter

Water outlet temperature [°C]		7		18		
Model	Ambient temperature [°C]	Capacity	COP	Capacity	COP	
PUZ-WM50VHA(-BS)	Max	35	4.5	3.40	6.9	4.16
		30	5.3	3.60	7.1	4.46
		25	4.9	3.64	6.7	4.62
		20	4.8	3.40	6.2	3.74
	Nominal	35	4.5	3.40	4.5	5.00
		30	4.5	3.62	4.5	5.40
		25	4.5	4.06	4.5	6.30
		20	4.0	4.31	4.0	6.31
	Mid	35	3.6	3.69	3.6	5.40
		30	3.6	3.80	3.6	5.69
		25	3.6	4.11	3.6	6.23
		20	3.6	3.89	3.6	5.88
	Min	35	1.9	4.01	2.6	5.66
		30	2.0	4.69	2.7	6.38
		25	2.1	5.46	2.8	7.28
		20	2.1	5.82	2.8	7.37
PUZ-WM60VAA(-BS)	Max	35	6.0	3.30	8.4	3.51
		30	6.3	3.73	8.7	3.98
		25	6.0	3.32	8.2	3.25
		20	6.0	3.02	7.6	2.75
	Nominal	35	6.0	3.30	6.0	4.45
		30	6.0	3.89	6.0	6.42
		25	6.0	3.32	6.0	6.24
		20	6.0	3.02	6.0	5.93
	Mid	35	4.8	3.84	4.8	4.88
		30	4.8	4.53	4.8	6.92
		25	4.8	4.33	4.8	7.20
		20	4.8	4.07	4.8	7.31
	Min	35	2.3	4.58	3.2	5.46
		30	2.4	5.54	3.3	6.82
		25	2.5	5.68	3.4	7.72
		20	2.6	5.54	3.4	8.41

Water outlet temperature [°C]		7		18			
Model	Ambient temperature [°C]	Capacity	COP	Capacity	COP		
PUZ-WM85VAA(-BS) PUZ-WM85YAA(-BS)	Max	35	7.5	3.15	10.5	3.87	
		30	7.9	3.56	10.9	4.38	
		25	7.5	3.17	10.2	3.58	
		20	7.2	2.88	9.5	3.03	
	Nominal	35	7.5	3.15	7.5	4.90	
		30	7.5	3.71	7.5	7.07	
		25	7.5	3.17	7.5	6.87	
	Mid	20	7.2	2.88	7.5	6.53	
		35	6.0	3.66	6.0	5.38	
		30	6.0	4.33	6.0	7.62	
	Min	25	6.0	4.13	6.0	7.93	
		20	6.0	3.89	6.0	8.05	
		35	2.3	4.38	3.2	6.01	
		30	2.4	5.29	3.3	7.51	
	PUZ-WM112VAA(-BS) PUZ-WM112YAA(-BS)	Max	25	2.5	5.43	3.4	8.50
			20	2.6	5.29	3.4	9.26
35			10.0	3.30	13.9	3.98	
30			10.6	3.91	14.8	4.67	
Nominal		25	10.4	3.72	14.1	4.18	
		20	10.1	3.44	13.4	3.63	
		35	10.0	3.30	10.0	4.90	
		30	10.0	4.14	10.0	5.83	
Mid		25	10.0	3.92	10.0	5.81	
		20	10.0	3.49	10.0	5.48	
		35	8.0	3.80	8.0	5.04	
		30	8.0	4.57	8.0	5.94	
Min	25	8.0	4.66	8.0	6.27		
	20	8.0	4.58	8.0	6.27		
	35	2.8	3.00	4.1	4.91		
	30	3.0	3.45	4.3	5.79		
PUZ-HWM140VHA(-BS) PUZ-HWM140YHA(-BS)	Max	25	3.1	4.09	4.3	6.81	
		20	3.2	4.51	4.4	7.44	
		35	12.3	3.07	16.2	4.34	
		30	12.3	3.63	16.2	5.14	
	Nominal	25	12.3	3.94	16.2	5.61	
		20	12.3	4.45	16.2	6.21	
		35	11.9	3.24	11.1	5.35	
		30	11.9	3.84	11.1	6.33	
	Mid	25	11.9	4.16	11.1	6.91	
		20	11.9	4.69	11.1	7.65	
		35	9.5	4.07	8.9	6.20	
		30	9.5	4.78	8.9	7.27	
Min	25	9.5	5.37	8.9	7.86		
	20	9.5	6.12	8.9	8.80		
	35	5.0	3.84	7.4	6.26		
	30	5.3	4.37	7.7	7.21		
		25	5.5	5.13	7.9	7.95	
		20	5.7	5.68	8.1	8.95	

(2) Split-type units

■ Power inverter

Water outlet temperature [°C]		7		18		
Model	Ambient temperature [°C]	Capacity	COP	Capacity	COP	
SUZ-SWM40VA	Max	35	5.1	3.18	7.0	4.56
		30	5.3	3.72	7.3	5.46
		25	5.5	4.38	7.6	6.61
		20	5.7	4.81	7.8	7.53
	Nominal	35	4.5	3.29	5.6	4.97
		30	4.5	3.95	5.6	6.10
		25	4.5	4.67	5.6	7.44
		20	4.5	5.24	5.6	8.77
	Mid	35	3.6	3.45	4.5	5.24
		30	3.6	4.13	4.5	6.31
		25	3.6	4.91	4.5	7.70
		20	3.6	5.45	4.5	8.93
	Min	35	1.2	3.17	1.8	5.03
		30	1.3	3.75	1.9	6.07
		25	1.4	4.50	2.0	7.42
		20	1.6	5.13	2.1	8.47
SUZ-SWM60VA	Max	35	5.9	2.87	8.3	4.16
		30	6.2	3.37	8.6	5.00
		25	6.4	3.96	9.0	5.96
		20	6.7	4.65	9.3	6.73
	Nominal	35	5.0	3.02	6.0	4.88
		30	5.0	3.59	6.0	5.90
		25	5.0	4.30	6.0	7.28
		20	5.0	5.11	6.0	8.69
	Mid	35	4.0	3.14	4.8	4.90
		30	4.0	3.76	4.8	5.94
		25	4.0	4.44	4.8	7.18
		20	4.0	5.27	4.8	8.67
	Min	35	1.6	2.56	2.4	4.32
		30	1.7	3.02	2.5	5.33
		25	1.9	3.54	2.6	6.55
		20	2.1	4.18	2.8	7.72
SUZ-SWM80VA	Max	35	6.2	2.79	8.5	4.10
		30	6.5	3.28	8.9	4.93
		25	6.7	3.86	9.3	5.88
		20	7.0	4.52	9.6	6.63
	Nominal	35	5.4	3.00	6.3	4.80
		30	5.4	3.53	6.3	5.79
		25	5.4	4.22	6.3	7.07
		20	5.4	5.01	6.3	8.21
	Mid	35	4.3	3.12	5.0	4.93
		30	4.3	3.71	5.0	5.98
		25	4.3	4.41	5.0	7.24
		20	4.3	5.24	5.0	8.76
	Min	35	1.6	2.56	2.4	4.32
		30	1.7	3.02	2.5	5.33
		25	1.9	3.54	2.6	6.55
		20	2.1	4.18	2.8	7.72
SUZ-SWM30VA SUZ-SHWM30VAH	Max	35	4.1	3.23	5.5	4.42
		30	4.3	3.83	5.8	5.16
		25	4.5	4.55	6.0	6.19
		20	4.6	5.31	6.3	7.62
	Nominal	35	3.5	3.52	3.5	5.51
		30	3.5	4.28	3.5	6.62
		25	3.5	5.15	3.5	7.95
		20	3.5	6.18	3.5	8.99
	Mid	35	2.8	3.77	2.8	5.69
		30	2.8	4.50	2.8	6.83
		25	2.8	5.39	2.8	8.24
		20	2.8	6.47	2.8	9.39
	Min	35	1.3	3.70	1.5	5.73
		30	1.3	4.22	1.5	6.66
		25	1.4	5.19	1.6	8.22
		20	1.4	6.02	1.7	9.60

Water outlet temperature [°C]		7		18		
Model	Ambient temperature [°C]	Capacity	COP	Capacity	COP	
SUZ-SWM40VA2(-SC)	Max	35	4.7	3.13	6.5	4.18
		30	5.0	3.67	7.0	5.01
		25	5.2	4.33	7.2	5.96
		20	5.4	5.12	7.5	7.26
	Nominal	35	4.5	3.31	5.6	4.71
		30	4.5	3.88	5.6	5.65
		25	4.5	4.67	5.6	6.72
		20	4.5	5.62	5.6	7.50
	Mid	35	3.6	3.54	4.5	5.16
		30	3.6	4.19	4.5	6.18
		25	3.6	5.00	4.5	7.28
		20	3.6	6.02	4.5	8.28
	Min	35	1.3	3.55	1.6	5.45
		30	1.3	4.05	1.6	6.34
		25	1.4	4.98	1.7	7.82
		20	1.4	5.78	1.8	9.13
SUZ-SHWM40VAH(-SC)	Max	35	4.9	2.98	6.5	3.97
		30	5.3	3.65	6.9	4.62
		25	5.5	4.51	7.2	5.35
		20	5.6	5.83	7.5	6.17
	Nominal	35	4.5	3.33	5.6	4.70
		30	4.5	3.90	5.6	5.41
		25	4.5	4.97	5.6	6.15
		20	4.5	6.37	5.6	6.88
	Mid	35	3.6	3.37	4.5	4.60
		30	3.6	4.04	4.5	5.27
		25	3.6	5.00	4.5	5.79
		20	3.6	6.16	4.5	6.35
	Min	35	1.7	3.14	2.1	4.28
		30	1.8	3.88	2.2	4.95
		25	1.9	4.76	2.3	5.59
		20	2.0	5.84	2.3	6.11
SUZ-SWM60VA2(-SC)	Max	35	5.3	2.82	7.2	3.75
		30	5.7	3.45	7.6	4.36
		25	5.9	4.27	8.0	5.05
		20	6.1	5.52	8.3	5.83
	Nominal	35	5.0	3.18	6.0	4.65
		30	5.0	3.69	6.0	5.11
		25	5.0	4.70	6.0	5.81
		20	5.0	6.03	6.0	6.50
	Mid	35	4.0	3.32	4.8	4.65
		30	4.0	3.98	4.8	5.33
		25	4.0	4.93	4.8	5.85
		20	4.0	6.07	4.8	6.42
	Min	35	1.7	3.11	2.1	4.23
		30	1.8	3.84	2.2	4.90
		25	1.9	4.71	2.3	5.53
		20	2.0	5.77	2.3	6.05
SUZ-SHWM60VAH(-SC)	Max	35	6.3	3.18	8.3	4.23
		30	6.6	3.73	8.5	5.00
		25	6.8	4.43	8.8	6.07
		20	7.0	5.22	9.1	7.43
	Nominal	35	6.0	3.28	6.0	5.21
		30	6.0	3.91	6.0	6.45
		25	6.0	4.74	6.0	7.91
		20	6.0	5.86	6.0	9.36
	Mid	35	4.8	3.52	4.8	5.39
		30	4.8	4.26	4.8	6.60
		25	4.8	5.17	4.8	8.15
		20	4.8	6.39	4.8	9.75
	Min	35	2.3	3.23	3.0	4.86
		30	2.4	3.87	3.2	6.04
		25	2.5	4.74	3.3	7.41
		20	2.6	5.95	3.5	9.03

Water outlet temperature [°C]		7		18		
Model	Ambient temperature [°C]	Capacity	COP	Capacity	COP	
SUZ-SWM80VA2 SUZ-SWM80VAH2	Max	35	6.9	2.98	9.1	3.89
		30	7.2	3.50	9.3	4.60
		25	7.5	4.15	9.7	5.58
		20	7.7	4.89	10.0	6.83
	Nominal	35	6.7	3.20	6.7	5.06
		30	6.7	3.66	6.7	5.93
		25	6.7	4.44	6.7	7.28
		20	6.7	5.49	6.7	8.61
	Mid	35	5.4	3.43	5.4	5.23
		30	5.4	4.16	5.4	6.41
		25	5.4	5.04	5.4	7.91
		20	5.4	6.23	5.4	9.47
	Min	35	2.3	3.15	3.0	4.72
		30	2.4	3.78	3.2	5.86
		25	2.5	4.62	3.3	7.20
		20	2.6	5.80	3.5	8.77
SUZ-SWM100VA SUZ-SWM100VAH	Max	35	7.5	2.78	10.1	3.46
		30	7.9	3.25	10.4	4.10
		25	8.2	3.82	10.8	4.91
		20	8.5	4.53	11.1	5.93
	Nominal	35	7.3	3.00	8.1	4.44
		30	7.3	3.46	8.1	5.14
		25	7.3	4.17	8.1	6.18
		20	7.3	5.22	8.1	7.28
	Mid	35	5.8	3.28	6.5	4.79
		30	5.8	3.96	6.5	5.77
		25	5.8	4.87	6.5	7.09
		20	5.8	6.00	6.5	8.37
	Min	35	2.3	3.10	3.0	4.41
		30	2.4	3.72	3.2	5.48
		25	2.5	4.55	3.3	6.73
		20	2.6	5.71	3.5	8.19

5.2 Heating performance data

(1) Packaged-type units

■ PUZ-WM50VHA(-BS)

Water outlet temperature [°C]		25		35		40		45		50		55		60	
Ambient temperature [°C]		Capacity	COP	Capacity	COP	Capacity	COP	Capacity	COP	Capacity	COP	Capacity	COP	Capacity	COP
Max	-20	-	-	3.5	1.75	3.0	1.88	-	-	-	-	-	-	-	-
	-15	-	-	3.9	2.60	3.9	2.43	3.9	2.26	-	-	-	-	-	-
	-10	4.5	3.34	4.7	2.91	4.6	2.68	4.5	2.46	4.2	2.06	4.0	1.87	-	-
	-7	5.0	3.64	5.5	3.13	5.3	2.87	5.1	2.61	4.7	2.29	4.4	1.97	-	-
	2	5.5	4.19	5.4	3.40	5.2	3.05	5.1	2.73	5.0	2.46	5.0	1.98	4.8	1.95
	7	5.9	6.45	5.6	4.82	5.5	4.46	5.4	3.93	5.2	3.37	5.0	3.08	4.9	2.61
	12	6.4	7.26	6.2	5.60	6.0	4.96	5.9	4.32	5.7	3.75	5.4	3.18	5.3	2.80
	15	7.0	8.19	6.7	6.18	6.6	5.44	6.4	4.70	6.2	4.07	5.9	3.44	5.8	3.02
20	5.3	7.74	5.1	5.84	5.0	5.09	4.9	4.45	4.8	3.90	4.6	3.43	4.5	3.03	
Nominal	-20	-	-	3.5	1.75	3.0	1.88	-	-	-	-	-	-	-	-
	-15	-	-	3.9	2.60	3.9	2.43	3.9	2.26	-	-	-	-	-	-
	-10	4.5	3.34	4.7	2.91	4.6	2.68	4.5	2.46	4.2	2.06	4.0	1.87	-	-
	-7	5.0	3.64	5.0	3.00	5.0	2.81	5.0	2.61	4.7	2.29	4.4	1.97	-	-
	2	5.0	4.38	5.0	3.70	5.0	3.10	5.0	2.76	5.0	2.46	5.0	1.98	4.8	1.95
	7	5.0	6.69	5.0	5.00	5.0	4.48	5.0	3.87	5.0	3.39	5.0	3.08	4.9	2.61
	12	5.0	6.93	5.0	6.13	5.0	5.37	5.0	4.60	5.0	3.92	5.0	3.23	5.0	2.82
	15	5.0	7.16	5.0	6.84	5.0	5.94	5.0	5.05	5.0	4.30	5.0	3.54	5.0	3.09
20	5.0	7.89	5.0	5.87	5.0	5.09	4.9	4.45	4.8	3.90	4.6	3.43	4.5	3.03	
Mid	-20	-	-	2.8	1.87	2.4	1.76	-	-	-	-	-	-	-	-
	-15	-	-	2.9	2.15	2.9	1.96	2.8	1.79	-	-	-	-	-	-
	-10	3.6	3.46	3.5	2.77	3.4	2.49	3.4	2.24	3.3	2.00	3.2	1.78	-	-
	-7	4.0	3.81	4.0	3.04	3.8	2.72	3.7	2.42	3.5	2.15	3.5	1.90	-	-
	2	4.0	4.43	4.0	3.69	4.0	3.11	4.0	2.77	4.0	2.46	4.0	2.20	3.9	1.96
	7	4.0	6.96	4.0	5.47	4.0	4.68	4.0	4.11	4.0	3.41	4.0	2.99	4.0	2.61
	12	4.0	7.39	4.0	6.17	4.0	5.40	4.0	4.63	4.0	3.99	4.0	3.35	4.0	2.92
	15	4.0	7.47	4.0	6.85	4.0	5.95	4.0	5.05	4.0	4.36	4.0	3.66	4.0	3.18
20	4.0	8.20	4.0	6.03	4.0	5.22	4.0	4.54	4.0	3.96	4.0	3.47	4.0	3.05	
Min	-20	-	-	1.9	1.88	1.9	1.75	-	-	-	-	-	-	-	-
	-15	-	-	2.4	2.24	2.4	2.03	2.3	1.84	-	-	-	-	-	-
	-10	2.3	3.23	2.2	2.59	2.1	2.32	2.0	2.07	1.9	1.85	1.8	1.64	-	-
	-7	2.7	3.25	2.7	3.25	2.3	2.54	2.5	2.36	2.2	2.05	2.0	1.76	-	-
	2	2.5	4.24	2.5	3.42	2.5	3.88	2.5	3.47	2.4	3.10	2.3	2.78	2.2	2.49
	7	1.9	6.55	1.8	5.46	1.5	3.57	1.3	2.97	1.3	2.60	1.3	2.29	1.3	2.00
	12	1.8	8.57	1.8	6.20	1.8	5.36	1.8	4.67	1.7	4.09	1.7	3.59	1.6	3.17
	15	2.2	7.61	2.0	6.52	1.9	5.62	1.9	4.88	1.8	4.26	1.8	3.74	1.7	3.29
20	3.1	9.79	2.9	6.84	2.8	5.81	2.7	4.96	2.6	4.26	2.5	3.68	2.4	3.19	

■ PUZ-WM60VAA(-BS)

Water outlet temperature [°C]		25		35		40		45		50		55		60	
Ambient temperature [°C]		Capacity	COP	Capacity	COP	Capacity	COP	Capacity	COP	Capacity	COP	Capacity	COP	Capacity	COP
Max	-20	-	-	3.7	2.20	3.6	1.85	3.6	1.55	-	-	-	-	-	-
	-15	-	-	5.3	2.70	5.2	2.30	5.1	1.95	5.1	1.95	-	-	-	-
	-10	6.3	3.10	6.2	2.80	6.1	2.50	6.0	2.20	5.9	2.00	5.7	1.80	-	-
	-7	6.9	3.25	6.6	2.95	6.3	2.65	6.0	2.40	6.0	2.20	6.0	2.05	-	-
	2	7.3	3.65	7.1	3.40	6.9	3.15	6.7	2.90	6.8	2.60	6.9	2.39	7.0	2.15
	7	8.4	5.30	7.9	4.80	7.4	4.30	6.9	3.85	7.0	3.30	7.1	2.80	7.1	2.50
	12	8.1	5.30	7.8	4.85	7.5	4.40	7.2	3.95	7.3	3.45	7.4	2.95	7.5	2.60
	15	9.0	5.60	8.6	5.15	8.2	4.70	7.8	4.25	7.9	3.70	8.0	3.15	8.1	2.80
20	9.7	6.25	9.4	5.65	9.1	5.05	8.8	4.50	8.9	3.95	9.1	3.45	9.2	3.10	
Nominal	-20	-	-	3.7	2.20	3.6	1.85	-	-	-	-	-	-	-	-
	-15	-	-	5.3	2.70	5.2	2.30	5.1	1.95	-	-	-	-	-	-
	-10	6.0	3.20	6.0	2.85	6.0	2.50	6.0	2.20	5.9	2.00	5.7	1.80	-	-
	-7	6.0	3.60	6.0	3.20	6.0	2.80	6.0	2.40	6.0	2.20	6.0	2.05	-	-
	2	6.0	4.10	6.0	3.75	6.0	3.40	6.0	3.06	6.0	2.75	6.0	2.45	5.9	2.20
	7	6.0	5.67	6.0	5.06	6.0	4.45	6.0	3.90	6.0	3.40	6.0	2.98	6.0	2.50
	12	6.0	6.10	6.0	5.45	6.0	4.80	6.0	4.20	6.0	3.60	6.0	3.05	6.0	2.70
	15	6.0	7.10	6.0	6.30	6.0	5.50	6.0	4.70	6.0	4.00	6.0	3.35	6.0	2.95
20	6.0	8.95	6.0	7.85	6.0	6.75	6.0	5.70	6.0	4.85	6.0	4.00	6.0	3.45	
Mid	-20	-	-	2.9	2.25	2.9	1.90	-	-	-	-	-	-	-	-
	-15	-	-	4.3	2.75	4.2	2.35	4.1	1.95	-	-	-	-	-	-
	-10	4.8	3.15	4.8	2.85	4.8	2.55	4.8	2.25	4.7	2.00	4.6	1.75	-	-
	-7	4.8	3.65	4.8	3.25	4.8	2.85	4.8	2.45	4.8	2.25	4.8	2.05	-	-
	2	4.8	4.40	4.8	4.00	4.8	3.60	4.8	3.20	4.8	2.85	4.8	2.50	4.7	2.25
	7	4.8	5.90	4.8	5.25	4.8	4.60	4.8	4.00	4.8	3.50	4.8	3.00	4.8	2.50
	12	4.8	6.60	4.8	5.85	4.8	5.10	4.8	4.40	4.8	3.75	4.8	3.15	4.8	2.75
	15	4.8	7.60	4.8	6.70	4.8	5.80	4.8	4.95	4.8	4.20	4.8	3.45	4.8	3.00
20	4.8	9.50	4.8	8.30	4.8	7.10	4.8	5.95	4.8	5.00	4.8	4.10	4.8	3.50	
Min	-20	-	-	2.9	2.30	2.8	1.90	-	-	-	-	-	-	-	-
	-15	-	-	3.3	2.35	3.2	2.00	3.2	1.65	-	-	-	-	-	-
	-10	3.7	3.05	3.6	2.75	3.6	2.45	3.5	2.20	3.4	1.85	3.4	1.55	-	-
	-7	3.3	3.60	3.2	3.15	3.2	2.70	3.2	2.25	3.0	2.00	2.8	1.80	-	-
	2	3.8	4.90	3.4	4.40	3.4	3.90	3.2	3.40	3.1	2.95	2.9	2.55	2.8	2.25
	7	3.5	6.20	2.9	5.45	2.8	4.70	2.7	3.95	2.5	3.35	2.4	2.80	2.4	2.40
	12	3.2	7.25	2.9	6.35	2.7	5.45	2.6	4.60	2.5	3.90	2.4	3.20	2.3	2.75
	15	3.4	8.05	3.1	7.05	3.0	6.05	2.9	5.10	2.8	4.30	2.7	3.50	2.5	2.95
20	3.9	9.95	3.6	8.80	3.4	7.40	3.3	6.05	3.2	5.05	3.0	4.05	2.9	3.40	

■ PUZ-WM85VAA(-BS) PUZ-WM85YAA(-BS)

Water outlet temperature [°C]		25		35		40		45		50		55		60	
Ambient temperature [°C]		Capacity	COP	Capacity	COP	Capacity	COP	Capacity	COP	Capacity	COP	Capacity	COP	Capacity	COP
Max	-20	-	-	5.0	1.75	5.0	1.60	4.9	1.45	-	-	-	-	-	-
	-15	-	-	7.3	2.15	7.2	1.95	7.1	1.80	6.9	1.80	-	-	-	-
	-10	8.5	2.45	8.5	2.30	8.5	2.15	8.5	2.05	8.1	1.85	7.6	1.65	-	-
	-7	8.5	2.55	8.8	2.45	8.7	2.35	8.5	2.25	8.3	2.05	8.0	1.90	-	-
	2	9.8	3.45	9.7	3.20	9.6	2.95	9.5	2.70	9.3	2.45	9.2	2.25	9.1	2.00
	7	10.9	5.00	10.5	4.55	10.1	4.10	9.8	3.65	9.6	3.15	9.4	2.65	9.2	2.35
	12	11.0	5.05	10.7	4.60	10.5	4.15	10.2	3.75	10.1	3.25	9.9	2.80	9.7	2.45
	15	11.9	5.35	11.5	4.90	11.3	4.45	11.1	4.00	10.9	3.50	10.7	3.00	10.5	2.60
20	13.3	5.90	12.9	5.35	12.7	4.80	12.4	4.25	12.3	3.75	12.1	3.25	11.9	2.90	
Nominal	-20	-	-	5.0	1.75	5.0	1.60	-	-	-	-	-	-	-	-
	-15	-	-	7.3	2.15	7.2	1.95	7.1	1.80	-	-	-	-	-	-
	-10	8.5	2.45	8.5	2.30	8.5	2.15	8.5	2.05	8.1	1.85	7.6	1.65	-	-
	-7	8.5	2.80	8.5	2.60	8.5	2.40	8.5	2.25	8.3	2.05	8.0	1.90	-	-
	2	8.5	3.87	8.5	3.51	8.5	3.15	8.5	2.86	8.5	2.55	8.5	2.30	8.3	2.05
	7	8.5	5.40	8.5	4.80	8.5	4.20	8.5	3.70	8.5	3.25	8.5	2.82	8.5	2.35
	12	8.5	5.80	8.5	5.20	8.5	4.60	8.5	4.00	8.5	3.45	8.5	2.90	8.5	2.50
	15	8.5	6.70	8.5	5.95	8.5	5.20	8.5	4.45	8.5	3.80	8.5	3.20	8.5	2.75
20	8.5	8.50	8.5	7.45	8.5	6.40	8.5	5.40	8.5	4.55	8.5	3.75	8.5	3.25	
Mid	-20	-	-	4.0	1.80	4.0	1.60	-	-	-	-	-	-	-	-
	-15	-	-	5.8	2.20	5.8	2.00	5.7	1.80	-	-	-	-	-	-
	-10	6.8	2.40	6.8	2.30	6.8	2.20	6.8	2.10	6.4	1.85	6.1	1.60	-	-
	-7	6.8	2.75	6.8	2.60	6.8	2.45	6.8	2.30	6.6	2.10	6.4	1.90	-	-
	2	6.8	4.15	6.8	3.75	6.8	3.35	6.8	3.00	6.8	2.65	6.8	2.35	6.6	2.10
	7	6.8	5.60	6.8	5.00	6.8	4.40	6.8	3.80	6.8	3.30	6.8	2.85	6.8	2.35
	12	6.8	6.30	6.8	5.60	6.8	4.90	6.8	4.20	6.8	3.60	6.8	3.00	6.8	2.55
	15	6.8	7.20	6.8	6.35	6.8	5.50	6.8	4.65	6.8	3.95	6.8	3.30	6.8	2.80
20	6.8	9.05	6.8	7.90	6.8	6.75	6.8	5.60	6.8	4.70	6.8	3.85	6.8	3.30	
Min	-20	-	-	2.9	1.80	2.8	1.60	-	-	-	-	-	-	-	-
	-15	-	-	3.3	1.85	3.2	1.65	3.2	1.50	-	-	-	-	-	-
	-10	3.7	2.30	3.6	2.20	3.6	2.10	3.5	2.05	3.4	1.75	3.4	1.45	-	-
	-7	3.3	2.70	3.2	2.50	3.2	2.30	3.2	2.10	3.0	1.85	2.8	1.65	-	-
	2	3.8	4.65	3.4	4.15	3.4	3.65	3.2	3.15	3.1	2.75	2.9	2.40	2.8	2.10
	7	3.9	5.95	3.2	5.20	3.1	4.45	3.0	3.75	2.8	3.20	2.6	2.65	2.6	2.25
	12	3.2	6.90	2.9	6.05	2.7	5.20	2.6	4.40	2.5	3.70	2.4	3.05	2.3	2.55
	15	3.4	7.65	3.1	6.70	3.0	5.75	2.9	4.80	2.8	4.05	2.7	3.35	2.5	2.75
20	3.9	9.70	3.6	8.35	3.4	7.00	3.3	5.70	3.2	4.75	3.0	3.80	2.9	3.20	

■ PUZ-WM112VAA(-BS) PUZ-WM112YAA(-BS)

Water outlet temperature [°C]		25		35		40		45		50		55		60	
Ambient temperature [°C]		Capacity	COP	Capacity	COP	Capacity	COP	Capacity	COP	Capacity	COP	Capacity	COP	Capacity	COP
Max	-25	-	-	6.5	1.70	6.2	1.55	5.9	1.40	-	-	-	-	-	-
	-20	-	-	7.7	2.35	7.4	2.10	7.0	1.90	-	-	-	-	-	-
	-15	-	-	8.4	2.55	8.0	2.30	7.5	2.05	7.1	1.75	6.7	1.50	-	-
	-10	10.1	2.80	11.2	2.60	10.6	2.40	10.1	2.25	9.5	1.90	9.0	1.55	-	-
	-7	11.2	2.95	12.1	2.80	11.7	2.65	11.2	2.50	10.6	2.20	10.0	1.90	-	-
	2	13.1	3.54	12.5	3.17	12.2	2.80	11.9	2.49	11.6	2.20	11.3	1.93	11.0	1.69
	7	14.3	5.05	13.5	4.55	13.1	4.05	12.7	3.55	12.2	3.10	11.7	2.70	11.2	2.40
	12	14.4	5.65	13.7	5.25	13.3	4.85	13.0	4.50	12.6	3.95	12.1	3.45	11.6	2.96
15	15.5	5.65	14.8	5.35	14.5	5.05	14.1	4.80	13.6	4.25	13.2	3.75	12.8	3.22	
20	17.3	7.80	16.9	6.95	16.5	6.10	16.1	5.30	15.6	4.65	15.1	4.05	14.6	3.55	
Nominal	-25	-	-	6.5	1.70	6.2	1.55	5.9	1.40	-	-	-	-	-	-
	-20	-	-	7.7	2.35	7.4	2.10	7.0	1.90	-	-	-	-	-	-
	-15	-	-	8.4	2.55	8.0	2.30	7.5	2.05	7.1	1.75	6.7	1.50	-	-
	-10	10.1	3.00	10.1	2.75	10.1	2.50	10.1	2.25	9.5	1.90	9.0	1.55	-	-
	-7	11.2	3.25	11.2	3.00	11.2	2.75	11.2	2.50	10.6	2.20	10.0	1.90	-	-
	2	11.2	3.83	11.2	3.44	11.2	3.05	11.2	2.74	10.6	2.30	10.0	1.95	9.4	1.70
	7	11.2	5.20	11.2	4.70	11.2	4.20	11.2	3.70	10.6	3.35	10.0	3.00	9.4	2.40
	12	11.2	6.65	11.2	6.05	11.2	5.45	11.2	4.85	10.6	4.20	10.0	3.55	9.4	3.00
15	11.2	7.55	11.2	6.85	11.2	6.15	11.2	5.50	10.6	4.75	10.0	4.00	9.4	3.35	
20	11.2	9.70	11.2	8.65	11.2	7.60	11.2	6.60	10.6	5.65	10.0	4.75	9.4	3.95	
Mid	-25	-	-	5.2	1.75	5.0	1.60	4.7	1.45	-	-	-	-	-	-
	-20	-	-	6.2	2.25	5.9	2.05	5.6	1.85	-	-	-	-	-	-
	-15	-	-	6.7	2.50	6.4	2.25	6.0	2.00	5.7	1.75	5.4	1.50	-	-
	-10	8.1	3.05	8.1	2.80	8.1	2.55	8.1	2.30	7.6	2.00	7.2	1.70	-	-
	-7	9.0	3.30	9.0	3.05	9.0	2.80	9.0	2.55	8.5	2.20	8.0	1.90	-	-
	2	9.0	4.25	9.0	3.75	9.0	3.25	9.0	2.80	8.5	2.45	8.0	2.10	7.5	1.80
	7	9.0	5.25	9.0	4.80	9.0	4.35	9.0	3.90	8.5	3.45	8.0	3.00	7.5	2.40
	12	9.0	6.85	9.0	6.25	9.0	5.65	9.0	5.05	8.5	4.35	8.0	3.65	7.5	3.10
15	9.0	7.80	9.0	7.05	9.0	6.30	9.0	5.60	8.5	4.80	8.0	4.05	7.5	3.40	
20	9.0	9.85	9.0	8.75	9.0	7.65	9.0	6.60	8.5	5.65	8.0	4.75	7.5	4.00	
Min	-25	-	-	4.1	1.70	3.9	1.50	3.7	1.35	-	-	-	-	-	-
	-20	-	-	4.9	2.25	4.6	2.00	4.4	1.75	-	-	-	-	-	-
	-15	-	-	6.7	2.50	5.2	2.20	4.9	1.95	4.0	1.65	3.1	1.40	-	-
	-10	6.9	3.00	6.2	2.75	5.9	2.50	5.7	2.25	5.4	1.95	5.1	1.70	-	-
	-7	4.3	3.15	3.9	2.85	3.7	2.55	3.4	2.30	3.2	2.00	3.0	1.70	-	-
	2	4.6	4.25	4.2	3.75	4.0	3.25	3.7	2.75	3.5	2.40	3.2	2.10	3.0	1.70
	7	4.4	4.95	4.0	4.45	3.7	3.95	3.5	3.50	3.4	3.05	3.0	2.60	2.8	2.05
	12	4.3	6.30	4.0	5.85	3.8	5.40	3.7	4.95	3.5	4.30	3.3	3.65	3.1	3.05
15	4.8	7.30	4.4	6.55	4.2	5.80	4.0	5.05	3.7	4.40	3.5	3.75	3.3	3.15	
20	5.7	9.25	5.1	8.10	4.8	6.95	4.6	5.80	4.3	5.00	4.1	4.25	3.9	3.70	

■ PUZ-HWM140VHA(-BS) PUZ-HWM140YHA(-BS)

Water outlet temperature [°C]		25		35		40		45		50		55		60	
Ambient temperature [°C]		Capacity	COP	Capacity	COP	Capacity	COP	Capacity	COP	Capacity	COP	Capacity	COP	Capacity	COP
Max	-28	-	-	9.1	1.60	8.8	1.45	8.5	1.30	-	-	-	-	-	-
	-25	-	-	10.0	1.65	9.7	1.50	9.3	1.35	-	-	-	-	-	-
	-20	-	-	12.0	1.75	11.6	1.60	11.2	1.45	-	-	-	-	-	-
	-15	-	-	14.0	1.85	13.5	1.70	13.1	1.55	12.6	1.45	12.2	1.30	-	-
	-10	14.6	2.40	14.4	2.25	14.2	2.10	14.0	1.90	14.0	1.85	14.0	1.75	-	-
	-7	16.1	2.70	15.9	2.50	15.7	2.30	15.5	2.10	14.7	2.05	14.0	1.95	-	-
	2	16.5	3.25	16.3	3.00	16.0	2.75	15.8	2.50	15.1	2.45	14.3	2.35	14.0	2.10
	7	16.8	4.70	16.6	4.25	16.4	3.80	16.1	3.30	15.4	2.90	14.6	2.50	14.0	2.50
	12	17.1	5.25	16.8	4.90	16.6	4.55	16.4	4.20	15.6	3.70	14.8	3.20	14.1	2.70
	15	18.5	5.35	18.2	5.00	17.9	4.75	17.7	4.50	16.9	4.00	16.0	3.50	15.2	3.00
20	21.1	7.25	20.8	6.50	20.5	5.75	20.2	4.95	19.3	4.40	18.3	3.80	17.3	3.25	
Nominal	-28	-	-	9.1	1.60	8.8	1.45	8.5	1.30	-	-	-	-	-	-
	-25	-	-	10.0	1.65	9.7	1.50	9.3	1.35	-	-	-	-	-	-
	-20	-	-	10.5	2.00	10.2	1.85	9.8	1.65	-	-	-	-	-	-
	-15	-	-	11.0	2.30	11.0	2.10	11.0	1.90	11.0	1.75	11.0	1.60	-	-
	-10	14.0	2.80	14.0	2.50	14.0	2.20	14.0	1.90	14.0	1.85	14.0	1.75	-	-
	-7	14.0	3.05	14.0	2.80	14.0	2.55	14.0	2.30	14.0	2.15	14.0	1.95	-	-
	2	14.0	3.40	14.0	3.15	14.0	2.90	14.0	2.65	14.0	2.55	14.0	2.40	14.0	2.10
	7	14.0	4.90	14.0	4.45	14.0	4.00	14.0	3.50	14.0	3.15	14.0	2.75	14.0	2.50
	12	14.0	5.50	14.0	5.15	14.0	4.80	14.0	4.45	14.0	4.00	14.0	3.50	14.0	3.00
	15	14.0	5.50	14.0	5.25	14.0	5.00	14.0	4.75	14.0	4.30	14.0	3.85	14.0	3.40
20	14.0	7.65	14.0	6.85	14.0	6.05	14.0	5.25	14.0	4.75	14.0	4.20	14.0	3.70	
Mid	-28	-	-	7.3	1.70	7.0	1.60	6.8	1.45	-	-	-	-	-	-
	-25	-	-	8.0	1.75	7.7	1.65	7.5	1.50	-	-	-	-	-	-
	-20	-	-	8.4	2.15	8.1	2.00	7.8	1.85	-	-	-	-	-	-
	-15	-	-	8.8	2.50	8.8	2.30	8.8	2.10	8.8	1.90	8.8	1.70	-	-
	-10	11.2	2.85	11.2	2.70	11.2	2.55	11.2	2.35	11.2	2.10	11.2	1.85	-	-
	-7	11.2	3.25	11.2	3.00	11.2	2.75	11.2	2.50	11.2	2.30	11.2	2.10	-	-
	2	11.2	3.65	11.2	3.40	11.2	3.15	11.2	2.90	11.2	2.75	11.2	2.55	11.2	2.30
	7	11.2	5.25	11.2	4.80	11.2	4.35	11.2	3.85	11.2	3.40	11.2	2.90	11.2	2.50
	12	11.2	5.85	11.2	5.55	11.2	5.25	11.2	4.90	11.2	4.30	11.2	3.70	11.2	3.00
	15	11.2	6.00	11.2	5.65	11.2	5.45	11.2	5.25	11.2	4.65	11.2	4.05	11.2	3.40
20	11.2	8.10	11.2	7.35	11.2	6.60	11.2	5.80	11.2	5.10	11.2	4.40	11.2	3.70	
Min	-28	-	-	4.8	1.70	4.4	1.45	4.0	1.15	-	-	-	-	-	-
	-25	-	-	5.5	1.75	5.0	1.50	4.6	1.20	-	-	-	-	-	-
	-20	-	-	6.7	2.05	6.1	1.75	5.5	1.40	-	-	-	-	-	-
	-15	-	-	7.8	2.35	7.2	2.00	6.5	1.60	5.7	1.30	4.8	1.00	-	-
	-10	6.2	2.55	5.9	2.30	5.6	2.05	5.3	1.75	4.6	1.45	4.0	1.10	-	-
	-7	5.1	3.65	4.0	2.25	4.0	2.05	4.0	1.85	3.6	1.50	3.1	1.15	-	-
	2	5.6	4.20	5.1	3.65	4.7	3.10	4.2	2.50	3.7	2.05	3.2	1.55	-	-
	7	4.5	6.60	4.2	4.45	3.7	3.50	3.2	2.55	2.7	2.00	2.2	1.45	-	-
	12	6.6	5.15	6.2	4.90	5.8	4.65	5.4	4.35	5.2	3.70	5.0	3.05	-	-
	15	6.9	5.15	6.4	5.10	5.9	5.05	5.4	4.95	5.3	4.35	5.2	3.70	-	-
20	7.3	14.00	6.7	8.00	6.4	6.65	6.0	5.30	5.6	4.40	5.1	3.45	-	-	

(2)Split-type units

■ SUZ-SWM40VA

Water outlet temperature [°C]		25		35		40		45		50		55		60	
Ambient temperature [°C]		Capacity	COP	Capacity	COP	Capacity	COP	Capacity	COP	Capacity	COP	Capacity	COP	Capacity	COP
Max	-20	-	-	3.2	2.18	3.0	1.93	-	-	-	-	-	-	-	-
	-15	-	-	4.3	2.45	4.1	2.17	3.9	1.89	-	-	-	-	-	-
	-10	5.8	3.04	5.4	2.73	5.1	2.41	4.7	2.10	4.3	1.75	3.8	1.41	-	-
	-7	6.5	3.22	6.1	2.89	5.7	2.56	5.2	2.23	4.6	1.84	4.0	1.45	-	-
	2	6.0	3.45	5.9	3.14	5.8	2.83	5.7	2.52	5.6	2.20	5.5	1.89	5.4	1.58
	7	7.3	4.89	7.1	4.38	7.0	3.87	6.8	3.36	6.4	2.83	5.9	2.30	5.5	1.77
	12	8.7	5.94	8.5	5.25	8.3	4.56	8.2	3.87	7.7	3.30	7.2	2.72	6.7	2.15
	15	7.7	6.56	7.5	5.77	7.3	4.99	7.1	4.20	6.7	3.56	6.3	2.92	5.9	2.28
20	8.4	7.37	8.2	6.45	8.0	5.54	7.8	4.62	7.4	3.91	6.9	3.20	6.5	2.49	
Nominal	-20	-	-	3.2	2.18	3.0	1.93	-	-	-	-	-	-	-	-
	-15	-	-	4.3	2.45	4.1	2.17	3.9	1.89	-	-	-	-	-	-
	-10	4.9	2.93	5.0	2.67	5.1	2.41	4.7	2.10	4.3	1.75	3.8	1.41	-	-
	-7	5.0	3.58	5.0	3.13	5.0	2.68	5.2	2.23	4.6	1.84	4.0	1.45	-	-
	2	4.0	4.41	4.0	3.90	4.0	3.39	4.0	2.88	4.0	2.52	4.0	2.16	4.0	1.80
	7	4.0	5.95	4.0	5.20	4.0	4.45	4.0	3.70	4.0	3.16	4.0	2.61	4.0	2.07
	12	4.0	7.10	4.0	6.19	4.0	5.29	4.0	4.38	4.0	3.68	4.0	2.97	4.0	2.27
	15	4.0	7.38	4.0	6.43	4.0	5.48	4.0	4.53	4.0	3.80	4.0	3.06	4.0	2.33
20	4.0	8.37	4.0	7.25	4.0	6.14	4.0	5.02	4.0	4.20	4.0	3.37	4.0	2.55	
Mid	-20	-	-	2.5	2.37	2.4	2.11	-	-	-	-	-	-	-	-
	-15	-	-	3.4	2.53	3.3	2.24	3.1	1.95	-	-	-	-	-	-
	-10	3.9	3.13	4.0	2.80	4.1	2.48	3.8	2.15	3.4	1.75	3.0	1.35	-	-
	-7	4.0	3.52	4.0	3.14	4.0	2.76	4.2	2.38	3.7	1.96	3.2	1.53	-	-
	2	3.2	4.69	3.2	4.17	3.2	3.66	3.2	3.14	3.2	2.67	3.2	2.19	3.2	1.72
	7	3.2	5.91	3.2	5.17	3.2	4.43	3.2	3.68	3.2	3.12	3.2	2.55	3.2	1.98
	12	3.2	7.11	3.2	6.20	3.2	5.29	3.2	4.38	3.2	3.68	3.2	2.98	3.2	2.28
	15	3.2	7.37	3.2	6.42	3.2	5.47	3.2	4.52	3.2	3.80	3.2	3.07	3.2	2.35
20	3.2	8.23	3.2	7.14	3.2	6.06	3.2	4.97	3.2	4.17	3.2	3.37	3.2	2.57	
Min	-20	-	-	2.5	2.38	2.4	2.11	-	-	-	-	-	-	-	-
	-15	-	-	2.2	2.60	2.1	2.30	2.0	2.00	-	-	-	-	-	-
	-10	2.8	3.26	2.6	2.92	2.5	2.58	2.4	2.24	2.1	1.84	1.9	1.44	-	-
	-7	2.4	3.55	2.3	3.17	2.2	2.80	2.1	2.42	1.9	2.02	1.7	1.61	-	-
	2	2.3	4.58	2.2	4.07	2.1	3.56	2.0	3.05	1.9	2.59	1.7	2.12	1.6	1.66
	7	2.2	5.74	2.1	5.03	2.0	4.32	2.0	3.61	1.8	3.03	1.7	2.44	1.5	1.86
	12	2.5	6.94	2.4	6.04	2.4	5.14	2.3	4.24	2.2	3.54	2.0	2.84	1.9	2.14
	15	2.1	6.92	2.0	6.02	2.0	5.12	1.9	4.22	1.8	3.51	1.6	2.80	1.5	2.09
20	2.3	7.87	2.2	6.80	2.2	5.73	2.1	4.66	2.0	3.87	1.8	3.07	1.7	2.28	

■ SUZ-SWM60VA

Water outlet temperature [°C]		25		35		40		45		50		55		60	
Ambient temperature [°C]		Capacity	COP	Capacity	COP	Capacity	COP	Capacity	COP	Capacity	COP	Capacity	COP	Capacity	COP
Max	-20	-	-	4.7	2.10	4.6	1.93	-	-	-	-	-	-	-	-
	-15	-	-	5.7	2.48	5.5	2.27	5.3	2.06	-	-	-	-	-	-
	-10	6.9	2.90	6.7	2.67	6.5	2.45	6.2	2.23	6.1	1.99	5.9	1.75	-	-
	-7	7.5	3.03	7.3	2.79	7.1	2.56	6.8	2.33	6.6	2.07	6.4	1.82	-	-
	2	6.7	3.69	6.7	3.33	6.6	2.96	6.6	2.60	6.6	2.30	6.6	2.00	6.6	1.70
	7	8.9	5.05	8.7	4.50	8.5	3.96	8.3	3.41	8.1	3.00	8.0	2.60	7.8	2.19
	12	10.5	5.88	10.2	5.22	9.9	4.56	9.6	3.90	9.4	3.42	9.3	2.94	9.1	2.46
	15	9.7	6.46	9.4	5.70	9.1	4.94	8.7	4.18	8.6	3.62	8.4	3.06	8.2	2.50
20	10.6	7.14	10.3	6.27	9.9	5.40	9.5	4.53	9.3	3.91	9.1	3.29	8.9	2.67	
Nominal	-20	-	-	4.7	2.10	4.6	1.93	-	-	-	-	-	-	-	-
	-15	-	-	5.7	2.48	5.5	2.27	5.3	2.06	-	-	-	-	-	-
	-10	6.0	2.94	6.0	2.70	6.0	2.46	6.0	2.23	6.0	1.99	5.9	1.75	-	-
	-7	6.0	3.29	6.0	2.98	6.0	2.67	6.0	2.36	6.0	2.09	6.0	1.82	-	-
	2	5.0	3.66	5.0	3.33	5.0	3.01	5.0	2.68	5.0	2.40	5.0	2.12	5.0	1.84
	7	6.0	5.48	6.0	4.86	6.0	4.24	6.0	3.61	6.0	3.14	6.0	2.68	6.0	2.21
	12	6.0	7.01	6.0	6.01	6.0	5.01	6.0	4.01	6.0	3.52	6.0	3.04	6.0	2.56
	15	6.0	7.39	6.0	6.36	6.0	5.33	6.0	4.30	6.0	3.72	6.0	3.14	6.0	2.57
20	6.0	8.35	6.0	7.13	6.0	5.91	6.0	4.69	6.0	4.04	6.0	3.40	6.0	2.75	
Mid	-20	-	-	4.1	2.74	4.0	2.32	-	-	-	-	-	-	-	-
	-15	-	-	4.6	2.76	4.4	2.45	4.2	2.14	-	-	-	-	-	-
	-10	4.8	3.28	4.8	2.98	4.8	2.67	4.8	2.36	4.8	2.11	4.7	1.85	-	-
	-7	4.8	3.33	4.8	3.06	4.8	2.78	4.8	2.50	4.8	2.24	4.8	1.98	-	-
	2	4.0	3.59	4.0	3.27	4.0	2.95	4.0	2.63	4.0	2.35	4.0	2.07	4.0	1.78
	7	4.8	6.01	4.8	5.21	4.8	4.41	4.8	3.60	4.8	3.16	4.8	2.72	4.8	2.27
	12	4.8	6.88	4.8	5.97	4.8	5.06	4.8	4.15	4.8	3.60	4.8	3.06	4.8	2.51
	15	4.8	7.49	4.8	6.42	4.8	5.35	4.8	4.28	4.8	3.69	4.8	3.11	4.8	2.53
20	4.8	8.43	4.8	7.18	4.8	5.93	4.8	4.68	4.8	4.02	4.8	3.36	4.8	2.70	
Min	-20	-	-	4.1	2.53	4.0	2.32	-	-	-	-	-	-	-	-
	-15	-	-	3.8	2.64	3.6	2.39	3.4	2.14	-	-	-	-	-	-
	-10	4.7	3.14	4.4	2.88	4.2	2.62	3.9	2.36	3.6	2.11	3.3	1.85	-	-
	-7	4.2	3.37	3.9	3.08	3.7	2.79	3.4	2.50	3.2	2.23	2.9	1.96	-	-
	2	3.1	4.47	3.0	4.05	2.9	3.63	2.8	3.21	2.7	2.77	2.6	2.32	2.5	1.86
	7	2.7	5.60	2.6	4.92	2.5	4.24	2.4	3.55	2.3	3.12	2.2	2.68	2.1	2.24
	12	3.1	6.78	3.0	5.89	2.9	5.00	2.8	4.10	2.7	3.57	2.6	3.04	2.5	2.50
	15	2.3	6.40	2.2	5.55	2.1	4.70	2.0	3.85	2.0	3.34	1.9	2.84	1.9	2.32
20	2.5	7.26	2.4	6.25	2.3	5.24	2.2	4.23	2.1	3.65	2.0	3.07	1.9	2.48	

■ SUZ-SWM80VA

Water outlet temperature [°C]		25		35		40		45		50		55		60	
Ambient temperature [°C]		Capacity	COP	Capacity	COP	Capacity	COP	Capacity	COP	Capacity	COP	Capacity	COP	Capacity	COP
Max	-20	-	-	5.0	2.04	4.8	1.87	-	-	-	-	-	-	-	-
	-15	-	-	6.0	2.40	5.8	2.20	5.6	2.00	-	-	-	-	-	-
	-10	7.3	2.81	7.1	2.59	6.8	2.38	6.6	2.16	6.4	1.93	6.2	1.70	-	-
	-7	8.0	2.93	7.7	2.71	7.4	2.48	7.2	2.25	7.0	2.01	6.8	1.76	-	-
	2	7.2	3.55	7.1	3.21	7.1	2.88	7.1	2.55	7.1	2.21	7.1	1.86	7.1	1.52
	7	9.2	4.95	9.0	4.42	8.8	3.90	8.6	3.37	8.4	3.01	8.2	2.65	8.0	2.29
	12	10.9	5.79	10.6	5.14	10.3	4.50	10.0	3.85	9.8	3.43	9.6	3.00	9.5	2.58
	15	10.1	6.37	9.8	5.62	9.5	4.88	9.2	4.13	9.0	3.66	8.8	3.18	8.6	2.71
20	11.1	7.02	10.7	6.17	10.3	5.33	10.0	4.48	9.7	3.96	9.5	3.43	9.3	2.91	
Nominal	-20	-	-	5.0	2.04	4.8	1.87	-	-	-	-	-	-	-	-
	-15	-	-	6.0	2.40	5.8	2.20	5.6	2.00	-	-	-	-	-	-
	-10	6.8	2.86	6.8	2.62	6.8	2.38	6.6	2.16	6.4	1.93	6.2	1.70	-	-
	-7	6.8	3.06	6.8	2.80	6.8	2.55	6.8	2.29	6.8	2.03	6.8	1.76	-	-
	2	6.5	3.74	6.5	3.40	6.5	3.07	6.5	2.73	6.5	2.42	6.5	2.11	6.5	1.80
	7	7.5	5.25	7.5	4.70	7.5	4.15	7.5	3.60	7.5	3.20	7.5	2.80	7.5	2.40
	12	7.5	6.74	7.5	5.89	7.5	5.05	7.5	4.20	7.5	3.70	7.5	3.19	7.5	2.69
	15	7.5	7.06	7.5	6.15	7.5	5.25	7.5	4.34	7.5	3.82	7.5	3.29	7.5	2.77
20	7.5	7.99	7.5	6.93	7.5	5.87	7.5	4.81	7.5	4.20	7.5	3.59	7.5	2.98	
Mid	-20	-	-	4.1	2.50	4.0	2.29	-	-	-	-	-	-	-	-
	-15	-	-	4.8	2.59	4.6	2.35	4.5	2.10	-	-	-	-	-	-
	-10	5.4	3.02	5.4	2.77	5.4	2.52	5.3	2.27	5.1	2.00	5.0	1.73	-	-
	-7	5.4	3.25	5.4	2.97	5.4	2.70	5.4	2.42	5.4	2.14	5.4	1.86	-	-
	2	5.2	3.67	5.2	3.34	5.2	3.02	5.2	2.69	5.2	2.39	5.2	2.09	5.2	1.79
	7	6.0	5.79	6.0	5.10	6.0	4.41	6.0	3.72	6.0	3.29	6.0	2.85	6.0	2.42
	12	6.0	7.03	6.0	6.13	6.0	5.23	6.0	4.33	6.0	3.80	6.0	3.27	6.0	2.74
	15	6.0	7.30	6.0	6.36	6.0	5.42	6.0	4.48	6.0	3.92	6.0	3.36	6.0	2.80
20	6.0	8.27	6.0	7.15	6.0	6.04	6.0	4.92	6.0	4.28	6.0	3.64	6.0	3.00	
Min	-20	-	-	4.1	2.50	4.0	2.29	-	-	-	-	-	-	-	-
	-15	-	-	3.8	2.61	3.6	2.37	3.4	2.12	-	-	-	-	-	-
	-10	4.7	3.09	4.4	2.83	4.2	2.58	3.9	2.32	3.6	2.07	3.3	1.82	-	-
	-7	4.2	3.32	3.9	3.03	3.7	2.75	3.4	2.46	3.2	2.21	2.9	1.95	-	-
	2	3.1	4.42	3.0	4.01	2.9	3.59	2.8	3.18	2.7	2.74	2.6	2.30	2.5	1.86
	7	2.7	5.58	2.6	4.90	2.5	4.22	2.4	3.54	2.3	3.11	2.2	2.67	2.1	2.24
	12	3.1	6.76	3.0	5.87	2.9	4.98	2.8	4.09	2.7	3.56	2.6	3.03	2.5	2.50
	15	2.3	6.36	2.2	5.51	2.1	4.67	2.0	3.82	2.0	3.32	1.9	2.82	1.9	2.32
20	2.5	7.22	2.4	6.21	2.3	5.21	2.2	4.20	2.1	3.63	2.0	3.05	1.9	2.48	

■ SUZ-SWM30VA

Water outlet temperature [°C]		25		35		40		45		50		55		60	
Ambient temperature [°C]		Capacity	COP	Capacity	COP	Capacity	COP	Capacity	COP	Capacity	COP	Capacity	COP	Capacity	COP
Max	-25	-	-	2.3	1.86	2.2	1.73	-	-	-	-	-	-	-	-
	-20	-	-	2.9	1.99	2.9	1.87	2.9	1.75	-	-	-	-	-	-
	-15	-	-	3.7	2.31	3.7	2.15	3.7	1.98	3.7	1.85	-	-	-	-
	-10	4.8	2.92	4.7	2.52	4.9	2.36	4.6	2.12	4.6	1.88	-	-	-	-
	-7	6.3	3.16	5.8	2.71	5.6	2.49	5.3	2.26	4.6	2.17	3.8	2.07	-	-
	2	5.0	3.99	4.9	3.32	4.9	2.99	4.8	2.65	4.4	2.56	4.0	2.47	3.1	2.40
	7	6.0	4.76	5.8	3.91	5.7	3.49	5.6	3.06	5.5	2.80	5.3	2.54	4.0	2.39
	12	5.9	6.02	5.7	4.86	5.6	4.28	5.5	3.70	5.4	3.28	5.3	2.86	4.0	2.59
	15	6.6	6.54	6.3	5.24	6.2	4.59	6.0	3.94	5.7	3.53	5.3	3.12	4.0	2.88
20	7.5	7.12	7.2	5.94	7.1	5.17	6.9	4.39	6.1	4.01	5.3	3.62	4.0	3.46	
Nominal	-25	-	-	2.3	1.86	2.2	1.73	-	-	-	-	-	-	-	-
	-20	-	-	2.9	1.99	2.9	1.87	2.9	1.75	-	-	-	-	-	-
	-15	-	-	3.0	2.43	3.0	2.15	3.0	2.06	3.0	1.98	-	-	-	-
	-10	3.0	3.30	3.0	2.80	3.0	2.36	3.0	2.30	3.0	2.24	-	-	-	-
	-7	3.0	3.74	3.0	3.14	3.0	2.84	3.0	2.54	3.0	2.32	3.6	2.10	-	-
	2	3.0	4.91	3.0	3.96	3.0	3.49	3.0	3.01	3.0	2.69	3.0	2.48	3.1	2.15
	7	3.0	6.55	3.0	5.11	3.0	4.39	3.0	3.67	3.0	3.25	3.6	2.83	3.6	2.35
	12	3.0	7.27	3.0	5.75	3.0	4.99	3.0	4.23	3.0	3.73	3.6	3.23	4.0	2.67
	15	3.0	8.16	3.0	6.39	3.0	5.51	3.0	4.62	3.0	4.06	3.6	3.50	4.0	2.89
20	3.0	9.53	3.0	7.69	3.0	6.52	3.0	5.35	3.0	4.68	3.6	4.00	4.0	3.26	
Mid	-25	-	-	2.0	1.90	1.8	1.76	-	-	-	-	-	-	-	-
	-20	-	-	2.3	2.08	2.3	1.94	2.3	1.80	-	-	-	-	-	-
	-15	-	-	2.4	2.52	2.4	2.32	2.4	2.11	2.4	1.91	-	-	-	-
	-10	2.4	3.39	2.4	2.87	2.4	2.61	2.4	2.35	2.4	2.35	-	-	-	-
	-7	2.4	3.79	2.4	3.18	2.4	2.88	2.4	2.57	2.4	2.37	2.9	2.16	-	-
	2	2.4	4.87	2.4	3.97	2.4	3.52	2.4	3.07	2.4	2.79	2.4	2.50	2.4	2.18
	7	2.4	6.11	2.4	4.91	2.4	4.31	2.4	3.71	2.4	3.33	2.9	2.94	2.9	2.54
	12	2.4	7.27	2.4	5.75	2.4	4.99	2.4	4.23	2.4	3.78	2.9	3.32	3.2	2.83
	15	2.4	8.12	2.4	6.35	2.4	5.47	2.4	4.58	2.4	4.08	2.9	3.58	3.2	3.04
20	2.4	9.41	2.4	7.59	2.4	6.43	2.4	5.27	2.4	4.66	2.9	4.05	3.2	3.40	
Min	-25	-	-	2.0	1.90	1.9	1.76	-	-	-	-	-	-	-	-
	-20	-	-	1.9	2.20	1.9	2.08	1.9	1.95	-	-	-	-	-	-
	-15	-	-	2.3	2.54	2.2	2.34	2.1	2.13	2.0	1.93	-	-	-	-
	-10	2.4	3.39	2.4	2.87	2.4	2.61	2.4	2.35	2.4	2.35	-	-	-	-
	-7	2.4	3.79	2.4	3.18	2.4	2.88	2.4	2.57	2.4	2.37	2.9	2.16	-	-
	2	2.4	4.87	2.4	3.97	2.4	3.52	2.4	3.07	2.4	2.79	2.4	2.50	2.4	2.18
	7	2.4	6.11	2.4	4.91	2.4	4.31	2.4	3.71	2.4	3.33	2.9	2.94	2.9	2.54
	12	2.4	7.27	2.4	5.75	2.4	4.99	2.4	4.23	2.4	3.78	2.9	3.32	3.2	2.83
	15	2.4	8.12	2.4	6.35	2.4	5.47	2.4	4.58	2.4	4.08	2.9	3.58	3.2	3.04
20	2.4	9.41	2.4	7.59	2.4	6.43	2.4	5.27	2.4	4.66	2.9	4.05	3.2	3.40	

■ SUZ-SHWM30VAH

Water outlet temperature [°C]		25		35		40		45		50		55		60	
Ambient temperature [°C]		Capacity	COP	Capacity	COP	Capacity	COP	Capacity	COP	Capacity	COP	Capacity	COP	Capacity	COP
Max	-25	-	-	2.3	1.77	2.2	1.65	-	-	-	-	-	-	-	-
	-20	-	-	3.4	1.87	3.4	1.76	3.4	1.66	-	-	-	-	-	-
	-15	-	-	4.3	2.16	4.3	2.02	4.2	1.87	4.2	1.76	-	-	-	-
	-10	5.2	2.70	5.2	2.34	5.5	2.18	5.2	1.99	5.2	1.99	-	-	-	-
	-7	6.3	3.07	5.8	2.64	5.6	2.42	5.3	2.20	4.6	2.10	3.8	2.00	-	-
	2	5.0	3.82	4.9	3.19	4.9	2.88	4.8	2.57	4.4	2.47	4.0	2.38	3.1	2.29
	7	6.0	4.76	5.8	3.91	5.7	3.49	5.6	3.06	5.5	2.80	5.3	2.54	4.0	2.39
	12	5.9	6.02	5.7	4.86	5.6	4.28	5.5	3.70	5.4	3.28	5.3	2.86	4.0	2.59
	15	6.6	6.54	6.3	5.24	6.2	4.59	6.0	3.94	5.7	3.53	5.3	3.12	4.0	2.88
20	7.5	7.12	7.2	5.94	7.1	5.17	6.9	4.39	6.1	4.01	5.3	3.62	4.0	3.46	
Nominal	-25	-	-	2.3	1.77	2.2	1.65	-	-	-	-	-	-	-	-
	-20	-	-	3.0	1.90	3.2	1.78	3.4	1.66	-	-	-	-	-	-
	-15	-	-	3.0	2.13	3.0	2.02	3.0	1.85	3.0	1.70	-	-	-	-
	-10	3.0	2.78	3.0	2.43	3.0	2.18	3.0	2.07	3.0	2.00	-	-	-	-
	-7	3.0	3.49	3.0	2.95	3.0	2.69	3.0	2.42	3.0	2.22	3.6	2.03	-	-
	2	3.0	4.50	3.0	3.67	3.0	3.25	3.0	2.84	3.0	2.60	3.0	2.36	3.1	2.06
	7	3.0	6.55	3.0	5.11	3.0	4.39	3.0	3.67	3.0	3.25	3.6	2.83	3.6	2.35
	12	3.0	7.27	3.0	5.75	3.0	4.99	3.0	4.23	3.0	3.73	3.6	3.23	4.0	2.67
	15	3.0	8.16	3.0	6.39	3.0	5.51	3.0	4.62	3.0	4.06	3.6	3.50	4.0	2.89
20	3.0	9.53	3.0	7.69	3.0	6.52	3.0	5.35	3.0	4.68	3.6	4.00	4.0	3.26	
Mid	-25	-	-	2.0	1.80	1.7	1.67	-	-	-	-	-	-	-	-
	-20	-	-	2.4	1.92	2.6	1.81	2.7	1.70	-	-	-	-	-	-
	-15	-	-	2.4	2.29	2.4	2.12	2.4	1.94	2.4	1.77	-	-	-	-
	-10	2.4	2.90	2.4	2.54	2.4	2.36	2.4	2.17	2.4	2.17	-	-	-	-
	-7	2.4	3.48	2.4	2.95	2.4	2.68	2.4	2.41	2.4	2.24	2.9	2.07	-	-
	2	2.4	4.37	2.4	3.61	2.4	3.23	2.4	2.85	2.4	2.60	2.4	2.35	2.4	2.06
	7	2.4	6.11	2.4	4.91	2.4	4.31	2.4	3.71	2.4	3.33	2.9	2.94	2.9	2.54
	12	2.4	7.27	2.4	5.75	2.4	4.99	2.4	4.23	2.4	3.78	2.9	3.32	3.2	2.83
	15	2.4	8.12	2.4	6.35	2.4	5.47	2.4	4.58	2.4	4.08	2.9	3.58	3.2	3.04
20	2.4	9.41	2.4	7.59	2.4	6.43	2.4	5.27	2.4	4.66	2.9	4.05	3.2	3.40	
Min	-25	-	-	2.0	1.80	1.9	1.67	-	-	-	-	-	-	-	-
	-20	-	-	1.9	2.13	1.9	1.98	1.9	1.84	-	-	-	-	-	-
	-15	-	-	2.3	2.38	2.2	2.19	2.1	2.01	2.0	1.82	-	-	-	-
	-10	2.4	3.09	2.4	2.65	2.4	2.36	2.4	2.21	2.4	2.17	-	-	-	-
	-7	2.4	3.48	2.4	2.95	2.4	2.68	2.4	2.41	2.4	2.24	2.3	2.03	-	-
	2	2.1	4.92	2.0	4.02	2.0	3.57	1.9	3.12	1.9	2.85	1.9	2.57	1.9	2.30
	7	2.0	6.00	1.9	4.81	1.9	4.22	1.8	3.62	1.8	3.28	1.7	2.93	1.7	2.59
	12	1.9	6.95	1.8	5.48	1.8	4.75	1.7	4.01	1.7	3.57	1.6	3.13	1.6	2.69
	15	2.0	7.87	1.9	6.13	1.9	5.26	1.8	4.39	1.8	3.92	1.8	3.45	1.8	2.98
20	2.3	8.84	2.2	7.48	2.2	6.31	2.1	5.14	2.1	4.54	2.0	3.94	2.0	3.34	

Outdoor unit

Outdoor unit

■ SUZ-SWM40VA2(-SC)

Water outlet temperature [°C]		25		35		40		45		50		55		60	
Ambient temperature [°C]		Capacity	COP	Capacity	COP	Capacity	COP	Capacity	COP	Capacity	COP	Capacity	COP	Capacity	COP
Max	-25	-	-	2.3	1.86	2.2	1.73	-	-	-	-	-	-	-	-
	-20	-	-	3.4	1.93	3.4	1.82	3.4	1.71	-	-	-	-	-	-
	-15	-	-	4.3	2.23	4.3	2.08	4.2	1.92	4.2	1.81	-	-	-	-
	-10	5.2	2.78	5.2	2.41	5.5	2.23	5.2	2.04	5.2	2.04	-	-	-	-
	-7	7.0	2.94	6.5	2.53	6.3	2.33	6.0	2.12	4.9	2.10	3.8	2.07	-	-
	2	6.0	3.85	5.6	3.23	5.4	2.92	5.2	2.61	4.6	2.54	4.0	2.47	3.1	2.40
	7	6.9	4.35	6.7	3.60	6.6	3.23	6.5	2.85	5.9	2.70	5.3	2.54	4.0	2.39
	12	7.0	5.42	6.8	4.41	6.7	3.91	6.6	3.40	6.0	3.13	5.3	2.86	4.0	2.59
	15	7.8	5.82	7.5	4.71	7.4	4.16	7.2	3.60	6.3	3.36	5.3	3.12	4.0	2.88
	20	8.9	6.24	8.6	5.26	8.5	4.61	8.3	3.95	6.8	3.79	5.3	3.62	4.0	3.46
Nominal	-25	-	-	2.3	1.86	2.2	1.73	-	-	-	-	-	-	-	-
	-20	-	-	3.4	1.93	3.4	1.82	3.4	1.71	-	-	-	-	-	-
	-15	-	-	4.3	2.23	4.3	2.08	4.2	1.92	4.2	1.77	-	-	-	-
	-10	4.5	2.94	4.5	2.55	4.5	2.23	4.5	2.16	4.5	2.09	-	-	-	-
	-7	4.5	3.62	4.5	2.97	4.5	2.65	4.5	2.32	4.2	2.20	3.8	2.07	-	-
	2	4.0	4.92	4.0	3.90	4.0	3.39	4.0	2.88	4.0	2.68	4.0	2.47	3.1	2.15
	7	3.0	6.55	3.0	5.11	3.0	4.39	3.0	3.67	3.0	3.23	3.6	2.79	3.6	2.35
	12	4.0	6.96	4.0	5.52	4.0	4.80	4.0	4.08	4.0	3.61	4.0	3.14	4.0	2.67
	15	4.0	7.86	4.0	6.17	4.0	5.33	4.0	4.48	4.0	3.95	4.0	3.42	4.0	2.89
	20	4.0	9.22	4.0	7.48	4.0	6.37	4.0	5.25	4.0	4.59	4.0	3.92	4.0	3.26
Mid	-25	-	-	2.0	1.90	1.9	1.77	-	-	-	-	-	-	-	-
	-20	-	-	2.7	2.02	2.7	1.90	2.7	1.77	-	-	-	-	-	-
	-15	-	-	3.4	2.43	3.4	2.24	3.4	2.04	3.4	1.85	-	-	-	-
	-10	3.6	3.12	3.6	2.71	3.6	2.51	3.6	2.30	3.6	2.30	-	-	-	-
	-7	3.6	3.77	3.6	3.12	3.6	2.80	3.6	2.47	3.3	2.28	3.0	2.09	-	-
	2	3.2	4.82	3.2	3.94	3.2	3.50	3.2	3.06	3.2	2.77	3.2	2.47	2.4	2.18
	7	2.4	6.11	2.4	4.91	2.4	4.31	2.4	3.71	2.4	3.32	2.9	2.93	2.9	2.54
	12	3.2	7.22	3.2	5.72	3.2	4.97	3.2	4.22	3.2	3.76	3.2	3.29	3.2	2.83
	15	3.2	8.13	3.2	6.37	3.2	5.49	3.2	4.61	3.2	4.09	3.2	3.56	3.2	3.04
	20	3.2	9.49	3.2	7.67	3.2	6.51	3.2	5.35	3.2	4.70	3.2	4.05	3.2	3.40
Min	-25	-	-	1.9	1.90	1.9	1.77	-	-	-	-	-	-	-	-
	-20	-	-	1.9	2.28	1.9	2.12	1.9	1.95	-	-	-	-	-	-
	-15	-	-	2.3	2.54	2.2	2.34	2.1	2.13	2.0	1.93	-	-	-	-
	-10	2.8	3.34	2.7	2.84	2.7	2.59	2.6	2.34	2.6	2.34	-	-	-	-
	-7	2.6	3.70	2.5	3.11	2.5	2.82	2.4	2.52	2.4	2.33	2.3	2.14	-	-
	2	2.1	4.92	2.0	4.02	2.0	3.57	1.9	3.12	1.9	2.85	1.9	2.57	1.9	2.30
	7	2.0	6.00	1.9	4.81	1.9	4.22	1.8	3.62	1.8	3.28	1.7	2.93	1.7	2.59
	12	1.9	6.95	1.8	5.48	1.8	4.75	1.7	4.01	1.7	3.57	1.6	3.13	1.6	2.69
	15	2.0	7.87	1.9	6.13	1.9	5.26	1.8	4.39	1.8	3.92	1.8	3.45	1.8	2.98
	20	2.3	8.84	2.2	7.48	2.2	6.31	2.1	5.14	2.1	4.54	2.0	3.94	2.0	3.34

■ SUZ-SHWM40VAH(-SC)

Water outlet temperature [°C]		25		35		40		45		50		55		60	
Ambient temperature [°C]		Capacity	COP	Capacity	COP	Capacity	COP	Capacity	COP	Capacity	COP	Capacity	COP	Capacity	COP
Max	-25	-	-	2.7	1.66	2.5	1.54	-	-	-	-	-	-	-	-
	-20	-	-	4.0	1.74	3.8	1.64	3.5	1.53	-	-	-	-	-	-
	-15	-	-	5.0	2.01	4.7	1.87	4.3	1.72	4.3	1.58	-	-	-	-
	-10	6.8	2.53	6.1	2.18	5.5	2.02	5.4	1.84	5.4	1.84	-	-	-	-
	-7	7.4	2.78	6.5	2.33	6.1	2.11	5.6	1.88	4.8	1.71	4.0	1.54	-	-
	2	6.1	3.60	5.8	2.81	5.7	2.42	5.5	2.02	4.9	2.00	4.3	1.98	3.3	1.96
	7	7.1	4.27	7.0	3.39	7.0	2.95	6.9	2.51	6.1	2.45	5.3	2.39	3.6	2.33
	12	7.1	5.10	6.9	4.10	6.8	3.60	6.7	3.10	6.0	2.96	5.3	2.81	3.6	2.67
	15	7.7	5.30	7.5	4.29	7.4	3.79	7.3	3.28	6.3	3.19	5.3	3.09	3.6	3.00
	20	8.9	5.45	8.6	4.67	8.5	4.14	8.3	3.60	6.8	3.61	5.3	3.61	3.6	3.62
Nominal	-25	-	-	2.7	1.66	2.5	1.54	-	-	-	-	-	-	-	-
	-20	-	-	4.0	1.74	3.8	1.64	3.5	1.53	-	-	-	-	-	-
	-15	-	-	5.0	2.01	4.7	1.87	4.3	1.72	4.3	1.58	-	-	-	-
	-10	5.0	2.65	5.0	2.29	5.0	2.11	5.0	1.93	5.0	1.94	-	-	-	-
	-7	5.0	4.03	5.0	3.00	5.0	2.49	5.0	1.97	4.5	1.76	4.0	1.54	-	-
	2	4.0	4.75	4.0	3.61	4.0	3.04	4.0	2.47	4.0	2.34	4.0	2.20	3.3	1.96
	7	3.0	6.46	3.0	4.77	3.0	3.93	3.0	3.08	3.3	2.94	3.6	2.79	3.6	2.33
	12	4.0	6.00	4.0	4.78	4.0	4.17	4.0	3.56	4.0	3.37	4.0	3.17	3.6	2.67
	15	4.0	6.23	4.0	5.03	4.0	4.43	4.0	3.83	4.0	3.64	4.0	3.44	3.6	3.00
	20	4.0	6.35	4.0	5.51	4.0	4.93	4.0	4.34	4.0	4.08	4.0	3.82	3.6	3.62
Mid	-25	-	-	2.3	1.68	2.0	1.56	-	-	-	-	-	-	-	-
	-20	-	-	3.2	1.94	3.0	1.76	2.8	1.59	-	-	-	-	-	-
	-15	-	-	4.0	2.21	3.8	2.02	3.5	1.83	3.5	1.64	-	-	-	-
	-10	4.0	3.04	4.0	2.49	4.0	2.21	4.0	1.94	4.0	1.84	-	-	-	-
	-7	4.0	4.28	4.0	3.18	4.0	2.63	4.0	2.08	3.6	1.82	3.2	1.56	-	-
	2	3.2	4.86	3.2	3.71	3.2	3.14	3.2	2.56	3.2	2.33	3.2	2.09	2.7	1.86
	7	2.6	5.38	2.6	4.20	2.4	3.61	2.6	3.02	2.6	2.93	2.9	2.84	2.9	2.75
	12	3.2	5.87	3.2	4.70	3.2	4.12	3.2	3.53	3.2	3.38	3.2	3.22	2.9	3.07
	15	3.2	5.97	3.2	4.87	3.2	4.32	3.2	3.77	3.2	3.62	3.2	3.47	2.9	3.32
	20	3.2	5.88	3.2	5.19	3.2	4.69	3.2	4.19	3.2	3.99	3.2	3.79	2.9	3.59
Min	-25	-	-	2.3	1.68	2.2	1.56	-	-	-	-	-	-	-	-
	-20	-	-	2.4	2.00	2.4	1.85	2.4	1.69	-	-	-	-	-	-
	-15	-	-	2.9	2.24	2.8	2.07	2.6	1.90	2.6	1.73	-	-	-	-
	-10	3.5	3.55	3.4	2.79	3.3	2.41	3.3	2.03	3.3	1.83	-	-	-	-
	-7	2.9	4.57	2.8	3.38	2.7	2.78	2.7	2.18	2.6	1.94	2.6	1.70	-	-
	2	2.7	4.97	2.6	3.84	2.6	3.27	2.5	2.70	2.5	2.37	2.4	2.04	2.4	1.71
	7	2.6	5.38	2.6	4.20	2.6	3.61	2.6	3.02	2.5	2.94	2.3	2.86	2.2	2.78
	12	2.6	5.61	2.5	4.49	2.5	3.93	2.4	3.37	2.3	3.24	2.2	3.11	2.1	2.98
	15	3.0	5.81	2.8	4.73	2.7	4.19	2.6	3.65	2.5	3.52	2.4	3.39	2.3	3.26
	20	3.4	5.56	3.2	5.19	3.1	4.70	3.0	4.20	2.9	4.03	2.8	3.85	2.7	3.68

■ SUZ-SWM60VA2(-SC)

Water outlet temperature [°C]		25		35		40		45		50		55		60	
Ambient temperature [°C]		Capacity	COP	Capacity	COP	Capacity	COP	Capacity	COP	Capacity	COP	Capacity	COP	Capacity	COP
Max	-25	-	-	2.7	1.72	2.5	1.60	-	-	-	-	-	-	-	-
	-20	-	-	4.0	1.79	3.8	1.68	3.5	1.57	-	-	-	-	-	-
	-15	-	-	5.0	2.06	4.7	1.91	4.3	1.77	4.3	1.62	-	-	-	-
	-10	6.8	2.58	6.1	2.23	5.9	2.17	5.4	1.88	5.4	1.76	-	-	-	-
	-7	7.8	3.43	7.0	2.69	6.6	2.32	6.2	1.95	5.4	1.74	4.5	1.53	-	-
	2	8.3	4.03	7.3	3.13	6.8	2.68	6.3	2.23	5.7	2.15	5.0	2.07	3.9	1.99
	7	8.6	4.54	8.4	3.58	8.3	3.10	8.2	2.62	7.5	2.47	6.7	2.32	4.8	2.17
	12	8.9	5.17	8.5	4.15	8.3	3.64	8.1	3.13	7.4	2.98	6.7	2.83	4.8	2.68
	15	9.7	5.30	9.3	4.30	9.1	3.80	8.9	3.30	7.8	3.20	6.7	3.09	4.8	2.99
	20	11.1	5.40	10.7	4.65	10.5	4.14	10.3	3.62	8.5	3.62	6.7	3.61	4.8	3.61
Nominal	-25	-	-	2.7	1.72	2.5	1.60	-	-	-	-	-	-	-	-
	-20	-	-	4.0	1.79	3.8	1.68	3.5	1.57	-	-	-	-	-	-
	-15	-	-	5.0	2.06	4.7	1.91	4.3	1.77	4.3	1.62	-	-	-	-
	-10	6.0	3.00	6.0	2.44	5.9	2.17	5.4	1.88	5.4	1.76	-	-	-	-
	-7	6.0	4.36	6.0	3.16	6.0	2.56	6.0	1.96	5.3	1.75	4.5	1.53	-	-
	2	6.0	4.86	6.0	3.62	6.0	3.00	6.0	2.38	5.5	2.23	5.0	2.07	3.9	1.99
	7	5.0	6.47	5.0	4.85	5.0	4.04	5.0	3.23	5.0	3.00	5.0	2.77	4.8	2.17
	12	6.0	6.21	6.0	4.88	6.0	4.22	6.0	3.55	6.0	3.28	6.0	3.01	4.8	2.68
	15	6.0	6.55	6.0	5.22	6.0	4.56	6.0	3.89	6.0	3.58	6.0	3.27	4.8	2.99
	20	6.0	6.85	6.0	5.87	6.0	5.20	6.0	4.53	6.0	4.17	6.0	3.80	4.8	3.61
Mid	-25	-	-	2.3	1.76	2.0	1.63	-	-	-	-	-	-	-	-
	-20	-	-	3.2	2.07	3.0	1.85	2.8	1.63	-	-	-	-	-	-
	-15	-	-	4.0	2.35	3.8	2.11	3.5	1.88	3.5	1.64	-	-	-	-
	-10	4.8	3.39	4.8	2.65	4.7	2.28	4.3	1.91	4.3	1.71	-	-	-	-
	-7	4.8	4.33	4.8	3.19	4.8	2.62	4.8	2.05	4.2	1.83	3.6	1.61	-	-
	2	4.8	5.19	4.8	3.86	4.8	3.20	4.8	2.53	4.4	2.31	4.0	2.09	3.1	1.87
	7	4.0	6.16	4.0	4.74	4.0	4.03	4.0	3.32	4.0	3.13	4.0	2.94	3.8	2.75
	12	4.8	6.40	4.8	5.05	4.8	4.38	4.8	3.70	4.8	3.46	4.8	3.22	3.8	2.98
	15	4.8	6.63	4.8	5.32	4.8	4.67	4.8	4.01	4.8	3.77	4.8	3.53	3.8	3.29
	20	4.8	6.72	4.8	5.83	4.8	5.21	4.8	4.59	4.8	4.31	4.8	4.03	3.8	3.75
Min	-25	-	-	2.3	1.76	2.2	1.63	-	-	-	-	-	-	-	-
	-20	-	-	2.4	2.11	2.4	1.90	2.4	1.69	-	-	-	-	-	-
	-15	-	-	2.9	2.35	2.8	2.13	2.6	1.90	2.6	1.68	-	-	-	-
	-10	3.5	3.84	3.4	2.93	3.3	2.48	3.3	2.03	3.3	1.75	-	-	-	-
	-7	2.9	5.10	2.8	3.64	2.7	2.91	2.7	2.18	2.6	1.94	2.6	1.70	-	-
	2	2.7	5.72	2.6	4.21	2.6	3.46	2.5	2.70	2.5	2.37	2.4	2.04	2.4	1.71
	7	2.8	5.80	2.7	4.49	2.7	3.84	2.6	3.18	2.5	3.02	2.3	2.86	2.2	2.70
	12	2.6	5.61	2.5	4.49	2.5	3.93	2.4	3.37	2.3	3.24	2.2	3.11	2.1	2.98
	15	3.0	5.81	2.8	4.73	2.7	4.19	2.6	3.65	2.5	3.52	2.4	3.39	2.3	3.26
	20	3.4	5.65	3.2	5.24	3.1	4.72	3.0	4.20	2.9	4.03	2.8	3.85	2.7	3.68

■ SUZ-SHWM60VAH(-SC)

Water outlet temperature [°C]		25		35		40		45		50		55		60	
Ambient temperature [°C]		Capacity	COP	Capacity	COP	Capacity	COP	Capacity	COP	Capacity	COP	Capacity	COP	Capacity	COP
Max	-25	-	-	4.8	1.73	4.4	1.57	-	-	-	-	-	-	-	-
	-20	-	-	6.0	1.87	5.6	1.74	5.2	1.36	-	-	-	-	-	-
	-15	-	-	6.6	2.05	6.6	1.97	5.7	1.47	5.3	1.35	4.8	1.23	-	-
	-10	8.2	2.69	7.6	2.17	7.3	1.91	7.0	1.65	6.4	1.55	5.7	1.44	-	-
	-7	8.2	3.16	7.6	2.58	7.3	2.29	7.0	2.00	6.6	1.84	6.1	1.68	-	-
	2	7.8	3.74	7.4	3.13	7.2	2.83	7.0	2.52	6.5	2.27	6.0	2.02	5.0	1.78
	7	8.9	4.93	8.6	4.04	8.5	3.60	8.3	3.15	7.5	2.90	6.7	2.64	4.8	2.39
	12	8.9	6.25	8.5	5.04	8.3	4.44	8.1	3.83	7.4	3.47	6.7	3.11	4.8	2.75
	15	9.7	6.85	9.3	5.50	9.1	4.83	8.9	4.15	7.8	3.79	6.7	3.42	4.8	3.06
	20	11.1	7.47	10.7	6.27	10.5	5.48	10.3	4.68	8.5	4.32	6.7	3.95	4.8	3.59
Nominal	-25	-	-	4.8	1.73	4.4	1.57	-	-	-	-	-	-	-	-
	-20	-	-	6.0	1.87	5.6	1.74	5.2	1.61	-	-	-	-	-	-
	-15	-	-	6.0	2.09	6.0	1.78	5.7	1.47	5.3	1.35	4.8	1.23	-	-
	-10	6.0	3.01	6.0	2.38	6.0	2.07	6.0	1.75	5.9	1.60	5.7	1.44	-	-
	-7	6.0	3.64	6.0	2.87	6.0	2.49	6.0	2.10	6.0	1.84	6.0	1.69	-	-
	2	6.0	4.38	6.0	3.47	6.0	3.01	6.0	2.56	6.0	2.27	6.0	2.18	5.0	1.78
	7	5.0	6.31	5.0	4.95	5.0	4.27	5.0	3.59	5.0	3.27	5.0	2.94	4.8	2.39
	12	6.0	7.29	6.0	5.73	6.0	4.95	6.0	4.17	6.0	3.68	6.0	3.19	4.8	2.75
	15	6.0	8.34	6.0	6.49	6.0	5.57	6.0	4.64	6.0	4.08	6.0	3.51	4.8	3.06
	20	6.0	9.97	6.0	7.98	6.0	6.73	6.0	5.47	6.0	4.76	6.0	4.04	4.8	3.59
Mid	-25	-	-	3.8	1.61	3.6	1.46	-	-	-	-	-	-	-	-
	-20	-	-	4.8	1.86	4.5	1.57	4.2	1.28	-	-	-	-	-	-
	-15	-	-	4.8	2.19	4.8	1.87	4.6	1.54	4.2	1.22	3.8	1.28	-	-
	-10	4.8	3.18	4.8	2.52	4.8	2.19	4.8	1.86	4.7	1.68	4.6	1.49	-	-
	-7	4.8	3.68	4.8	2.95	4.8	2.59	4.8	2.22	4.8	2.00	4.8	1.78	-	-
	2	4.8	4.51	4.8	3.65	4.8	3.22	4.8	2.79	4.8	2.51	4.8	2.23	4.0	1.95
	7	4.0	6.32	4.0	4.96	4.0	4.28	4.0	3.60	4.0	3.28	4.0	2.95	3.8	2.63
	12	4.8	7.51	4.8	5.88	4.8	5.07	4.8	4.25	4.8	3.78	4.8	3.30	3.8	2.83
	15	4.8	8.57	4.8	6.63	4.8	5.66	4.8	4.69	4.8	4.14	4.8	3.59	3.8	3.04
	20	4.8	10.18	4.8	8.10	4.8	6.79	4.8	5.48	4.8	4.79	4.8	4.09	3.8	3.40
Min	-25	-	-	3.8	1.61	3.6	1.46	-	-	-	-	-	-	-	-
	-20	-	-	3.9	2.61	3.6	2.19	3.3	1.78	-	-	-	-	-	-
	-15	-	-	4.2	2.66	3.8	2.29	3.4	1.91	3.0	1.54	3.2	1.54	-	-
	-10	5.0	3.33	4.5	2.66	4.3	2.33	4.0	1.99	3.9	1.81	3.8	1.62	-	-
	-7	4.3	3.70	3.9	2.95	3.7	2.58	3.5	2.20	3.5	1.99	3.4	1.78	-	-
	2	4.1	5.22	3.8	4.17	3.7	3.65	3.5	3.12	3.4	2.83	3.3	2.54	3.2	2.25
	7	3.8	6.33	3.6	4.98	3.5	4.31	3.4	3.63	3.4	3.28	3.3	2.93	3.3	2.58
	12	3.6	7.58	3.4	5.84	3.3	4.97	3.2	4.10	3.2	3.67	3.1	3.24	3.1	2.81
	15	4.0	8.69	3.8	6.61	3.7	5.57	3.6	4.53	3.5	4.03	3.4	3.53	3.3	3.03
	20	4.7	10.02	4.4	8.28	4.3	6.86	4.1	5.43	4.0	4.77	3.9	4.10	3.8	3.44

Outdoor unit

■ SUZ-SWM80VA2

Water outlet temperature [°C]		25		35		40		45		50		55		60	
Ambient temperature [°C]		Capacity	COP	Capacity	COP	Capacity	COP	Capacity	COP	Capacity	COP	Capacity	COP	Capacity	COP
Max	-25	-	-	4.8	1.81	4.4	1.64	-	-	-	-	-	-	-	-
	-20	-	-	6.0	1.94	5.6	1.81	5.2	1.67	-	-	-	-	-	-
	-15	-	-	7.0	2.26	6.6	2.05	6.1	1.83	6.0	1.67	5.9	1.50	-	-
	-10	8.6	2.82	8.0	2.36	7.3	2.20	7.0	1.90	6.7	1.73	6.3	1.56	-	-
	-7	9.0	3.30	8.0	2.63	7.7	2.30	7.4	1.96	7.0	1.78	6.6	1.59	-	-
	2	8.8	3.78	8.4	3.15	8.2	2.84	8.0	2.52	7.8	2.33	7.5	2.13	6.5	1.94
	7	10.4	4.58	10.1	3.79	10.0	3.40	9.8	3.00	9.0	2.77	8.2	2.54	6.0	2.31
	12	10.5	5.90	10.1	4.79	9.9	4.24	9.7	3.68	9.0	3.36	8.2	3.03	6.0	2.71
	15	11.5	6.41	11.0	5.19	10.8	4.58	10.5	3.97	9.4	3.67	8.2	3.36	6.0	3.06
20	13.2	6.94	12.7	5.87	12.5	5.16	12.2	4.44	10.2	4.18	8.2	3.92	6.0	3.66	
Nominal	-25	-	-	4.8	1.81	4.4	1.64	-	-	-	-	-	-	-	-
	-20	-	-	6.0	1.94	5.6	1.81	5.2	1.67	-	-	-	-	-	-
	-15	-	-	7.0	2.26	6.6	2.05	6.1	1.83	6.0	1.67	5.9	1.50	-	-
	-10	7.0	2.80	7.0	2.35	7.0	2.13	7.0	1.90	6.7	1.73	6.3	1.56	-	-
	-7	7.0	3.79	7.0	2.90	7.0	2.46	7.0	2.01	7.0	1.78	6.6	1.59	-	-
	2	7.5	4.39	7.5	3.50	7.5	3.06	7.5	2.61	7.8	2.33	7.5	2.17	6.5	1.94
	7	6.0	6.63	6.0	5.10	6.0	4.34	6.0	3.57	6.0	3.29	6.0	3.00	6.0	2.31
	12	7.5	7.01	7.5	5.54	7.5	4.81	7.5	4.07	7.5	3.60	7.5	3.12	6.0	2.71
	15	7.5	8.12	7.5	6.34	7.5	5.45	7.5	4.56	7.5	4.02	7.5	3.47	6.0	3.06
20	7.5	9.79	7.5	7.88	7.5	6.67	7.5	5.45	7.5	4.74	7.5	4.03	6.0	3.66	
Mid	-25	-	-	3.8	1.83	3.6	1.66	-	-	-	-	-	-	-	-
	-20	-	-	4.8	2.07	4.5	1.75	4.2	1.43	-	-	-	-	-	-
	-15	-	-	5.6	2.31	5.2	1.97	4.9	1.62	4.8	1.28	4.7	1.30	-	-
	-10	5.6	3.22	5.6	2.55	5.6	2.22	5.6	1.88	5.3	1.72	5.0	1.55	-	-
	-7	6.2	3.73	5.9	2.92	5.6	2.52	5.6	2.11	5.6	1.90	5.3	1.68	-	-
	2	6.0	4.45	6.0	3.66	6.0	3.27	6.0	2.87	6.2	2.60	6.0	2.32	5.2	2.05
	7	4.8	6.34	4.8	5.00	4.8	4.33	4.8	3.66	4.8	3.34	4.8	3.01	4.8	2.69
	12	6.0	7.53	6.0	5.90	6.0	5.09	6.0	4.27	6.0	3.79	6.0	3.31	4.8	2.83
	15	6.0	8.64	6.0	6.70	6.0	5.73	6.0	4.76	6.0	4.20	6.0	3.64	4.8	3.08
20	6.0	10.36	6.0	8.27	6.0	6.95	6.0	5.63	6.0	4.92	6.0	4.20	4.8	3.49	
Min	-25	-	-	3.8	1.83	3.6	1.66	-	-	-	-	-	-	-	-
	-20	-	-	3.9	2.61	3.6	2.19	3.3	1.78	-	-	-	-	-	-
	-15	-	-	4.2	2.66	3.8	2.29	3.4	1.91	3.0	1.54	3.2	1.54	-	-
	-10	5.0	3.33	4.5	2.66	4.3	2.33	4.0	1.99	3.9	1.81	3.8	1.62	-	-
	-7	4.3	3.70	3.9	2.95	3.7	2.58	3.5	2.20	3.5	1.99	3.4	1.78	-	-
	2	4.1	5.22	3.8	4.17	3.7	3.65	3.5	3.12	3.4	2.83	3.3	2.54	3.2	2.25
	7	3.8	6.33	3.6	4.98	3.5	4.31	3.4	3.63	3.4	3.28	3.3	2.93	3.3	2.58
	12	3.6	7.58	3.4	5.84	3.3	4.97	3.2	4.10	3.2	3.67	3.1	3.24	3.1	2.81
	15	4.0	8.69	3.8	6.61	3.7	5.57	3.6	4.53	3.5	4.03	3.4	3.53	3.3	3.03
20	4.7	10.02	4.4	8.28	4.3	6.86	4.1	5.43	4.0	4.77	3.9	4.10	3.8	3.44	

■ SUZ-SWM80VAH2

Water outlet temperature [°C]		25		35		40		45		50		55		60	
Ambient temperature [°C]		Capacity	COP	Capacity	COP	Capacity	COP	Capacity	COP	Capacity	COP	Capacity	COP	Capacity	COP
Max	-25	-	-	4.8	1.73	4.4	1.57	-	-	-	-	-	-	-	-
	-20	-	-	6.0	1.87	5.6	1.74	5.2	1.61	-	-	-	-	-	-
	-15	-	-	7.0	2.18	6.6	1.97	6.1	1.77	6.0	1.61	5.9	1.46	-	-
	-10	8.6	2.71	8.0	2.28	7.3	2.12	7.0	1.84	6.7	1.68	6.3	1.51	-	-
	-7	9.0	3.16	8.0	2.53	7.7	2.22	7.4	1.90	7.0	1.72	6.6	1.55	-	-
	2	8.8	3.59	8.4	3.01	8.2	2.72	8.0	2.43	7.8	2.24	7.5	2.06	6.5	1.87
	7	10.4	4.58	10.1	3.79	10.0	3.40	9.8	3.00	9.0	2.77	8.2	2.54	6.0	2.31
	12	10.5	5.90	10.1	4.79	9.9	4.24	9.7	3.68	9.0	3.36	8.2	3.03	6.0	2.71
	15	11.5	6.41	11.0	5.19	10.8	4.58	10.5	3.97	9.4	3.67	8.2	3.36	6.0	3.06
20	13.2	6.94	12.7	5.87	12.5	5.16	12.2	4.44	10.2	4.18	8.2	3.92	6.0	3.66	
Nominal	-25	-	-	4.8	1.73	4.4	1.57	-	-	-	-	-	-	-	-
	-20	-	-	6.0	1.87	5.6	1.74	5.2	1.61	-	-	-	-	-	-
	-15	-	-	7.0	2.18	6.6	1.97	6.1	1.77	6.0	1.61	5.9	1.46	-	-
	-10	7.0	2.67	7.0	2.26	7.0	2.05	7.0	1.84	6.7	1.68	6.3	1.51	-	-
	-7	7.0	3.56	7.0	2.76	7.0	2.36	7.0	1.94	7.0	1.72	6.6	1.55	-	-
	2	7.5	4.10	7.5	3.31	7.5	2.91	7.5	2.51	7.8	2.24	7.5	2.10	6.5	1.87
	7	6.0	6.63	6.0	5.10	6.0	4.34	6.0	3.57	6.0	3.29	6.0	3.00	6.0	2.31
	12	7.5	7.01	7.5	5.54	7.5	4.81	7.5	4.07	7.5	3.60	7.5	3.12	6.0	2.71
	15	7.5	8.12	7.5	6.34	7.5	5.45	7.5	4.56	7.5	4.02	7.5	3.47	6.0	3.06
20	7.5	9.79	7.5	7.88	7.5	6.67	7.5	5.45	7.5	4.74	7.5	4.03	6.0	3.66	
Mid	-25	-	-	3.8	1.73	3.6	1.57	-	-	-	-	-	-	-	-
	-20	-	-	4.8	1.97	4.5	1.67	4.2	1.38	-	-	-	-	-	-
	-15	-	-	5.6	2.20	5.2	1.88	4.9	1.56	4.8	1.24	4.7	1.26	-	-
	-10	5.6	3.01	5.6	2.42	5.6	2.11	5.6	1.81	5.3	1.65	5.0	1.49	-	-
	-7	6.2	3.48	5.9	2.76	5.6	2.39	5.6	2.02	5.6	1.82	5.3	1.62	-	-
	2	6.0	4.09	6.0	3.41	6.0	3.06	6.0	2.71	6.2	2.47	6.0	2.22	5.2	1.95
	7	4.8	6.34	4.8	5.00	4.8	4.33	4.8	3.66	4.8	3.34	4.8	3.01	4.8	2.69
	12	6.0	7.53	6.0	5.90	6.0	5.09	6.0	4.27	6.0	3.79	6.0	3.31	4.8	2.83
	15	6.0	8.64	6.0	6.70	6.0	5.73	6.0	4.76	6.0	4.20	6.0	3.64	4.8	3.08
20	6.0	10.36	6.0	8.27	6.0	6.95	6.0	5.63	6.0	4.92	6.0	4.20	4.8	3.49	
Min	-25	-	-	3.8	1.73	3.6	1.57	-	-	-	-	-	-	-	-
	-20	-	-	3.9	2.41	3.6	2.04	3.3	1.67	-	-	-	-	-	-
	-15	-	-	4.2	2.47	3.8	2.13	3.4	1.79	3.0	1.45	3.2	1.46	-	-
	-10	5.0	3.33	4.5	2.48	4.3	2.18	4.0	1.88	3.9	1.71	3.8	1.54	-	-
	-7	4.3	3.70	3.9	2.70	3.7	2.38	3.5	2.05	3.5	1.86	3.4	1.67	-	-
	2	4.1	5.22	3.8	4.17	3.7	3.65	3.5	3.12	3.4	2.83	3.3	2.54	3.2	2.25
	7	3.8	6.33	3.6	4.98	3.5	4.31	3.4	3.63	3.4	3.28	3.3	2.93	3.3	2.58
	12	3.6	7.58	3.4	5.84	3.3	4.97	3.2	4.10	3.2	3.67	3.1	3.24	3.1	2.81
	15	4.0	8.69	3.8	6.61	3.7	5.57	3.6	4.53	3.5	4.03	3.4	3.53	3.3	3.03
20	4.7	10.02	4.4	8.28	4.3	6.86	4.1	5.43	4.0	4.77	3.9	4.10	3.8	3.44	

■ SUZ-SWM100VA

Water outlet temperature [°C]		25		35		40		45		50		55		60	
Ambient temperature [°C]		Capacity	COP	Capacity	COP	Capacity	COP	Capacity	COP	Capacity	COP	Capacity	COP	Capacity	COP
Max	-25	-	-	4.8	1.81	4.4	1.64	-	-	-	-	-	-	-	-
	-20	-	-	6.0	1.94	5.6	1.81	5.2	1.67	-	-	-	-	-	-
	-15	-	-	7.0	2.26	6.6	2.05	6.1	1.83	6.0	1.67	5.9	1.50	-	-
	-10	9.0	2.82	8.0	2.36	7.7	2.17	7.0	1.90	6.7	1.73	6.3	1.56	-	-
	-7	10.1	3.14	9.0	2.54	8.5	2.24	7.9	1.94	7.4	1.78	6.8	1.62	-	-
	2	9.9	3.60	9.2	3.01	8.9	2.72	8.5	2.42	8.5	2.26	8.5	2.09	7.7	1.93
	7	12.1	4.30	11.7	3.56	11.5	3.19	11.3	2.82	10.4	2.63	9.5	2.43	7.0	2.24
	12	12.2	5.56	11.7	4.54	11.5	4.03	11.2	3.52	10.4	3.22	9.5	2.91	7.0	2.61
	15	13.1	6.03	12.7	4.91	12.5	4.35	12.3	3.79	10.9	3.52	9.5	3.25	7.0	2.98
20	15.2	6.47	14.7	5.52	14.5	4.88	14.2	4.23	11.9	4.04	9.5	3.85	7.0	3.66	
Nominal	-25	-	-	4.8	1.81	4.4	1.64	-	-	-	-	-	-	-	-
	-20	-	-	6.0	1.94	5.6	1.81	5.2	1.67	-	-	-	-	-	-
	-15	-	-	7.0	2.26	6.6	2.05	6.1	1.83	6.0	1.67	5.9	1.50	-	-
	-10	7.5	2.92	7.5	2.41	7.3	2.16	7.0	1.90	6.7	1.73	6.3	1.56	-	-
	-7	7.5	3.71	7.5	2.85	7.5	2.42	7.5	1.99	7.4	1.78	6.8	1.62	-	-
	2	9.0	3.82	9.0	3.12	8.9	2.72	8.5	2.42	8.5	2.26	8.5	2.09	7.7	1.93
	7	7.5	6.26	7.5	4.85	7.5	4.15	7.5	3.44	7.5	3.12	7.5	2.80	7.0	2.24
	12	10.0	6.40	10.0	5.08	10.0	4.42	10.0	3.76	9.8	3.34	9.5	2.91	7.0	2.61
	15	10.0	7.37	10.0	5.81	10.0	5.03	10.0	4.25	9.8	3.75	9.5	3.25	7.0	2.98
20	10.0	9.01	10.0	7.33	10.0	6.26	10.0	5.18	9.8	4.52	9.5	3.85	7.0	3.66	
Mid	-25	-	-	3.8	1.83	3.6	1.66	-	-	-	-	-	-	-	-
	-20	-	-	4.8	2.07	4.5	1.75	4.2	1.43	-	-	-	-	-	-
	-15	-	-	5.6	2.31	5.2	1.97	4.9	1.62	4.8	1.28	4.7	1.30	-	-
	-10	6.0	3.22	6.0	2.55	5.8	2.22	5.6	1.88	5.3	1.72	5.0	1.55	-	-
	-7	6.0	3.65	6.0	2.87	6.0	2.48	6.0	2.09	5.9	1.89	5.4	1.69	-	-
	2	7.2	3.93	7.2	3.36	7.1	3.08	6.8	2.79	6.8	2.58	6.8	2.36	6.1	2.15
	7	6.0	6.51	6.0	5.08	6.0	4.37	6.0	3.65	6.0	3.28	6.0	2.91	5.6	2.54
	12	8.0	6.90	8.0	5.51	8.0	4.82	8.0	4.12	7.8	3.67	7.6	3.21	5.6	2.76
	15	8.0	7.89	8.0	6.26	8.0	5.45	8.0	4.63	7.8	4.10	7.6	3.56	5.6	3.03
20	8.0	9.60	8.0	7.84	8.0	6.71	8.0	5.57	7.8	4.88	7.6	4.18	5.6	3.49	
Min	-25	-	-	3.8	1.83	3.6	1.66	-	-	-	-	-	-	-	-
	-20	-	-	3.9	2.61	3.6	2.19	3.3	1.78	-	-	-	-	-	-
	-15	-	-	4.2	2.66	3.8	2.29	3.4	1.91	3.0	1.54	3.2	1.54	-	-
	-10	5.0	3.33	4.5	2.66	4.3	2.33	4.0	1.99	3.9	1.81	3.8	1.62	-	-
	-7	4.3	3.68	3.9	2.95	3.7	2.59	3.5	2.22	3.5	2.00	3.4	1.78	-	-
	2	4.1	5.22	3.8	4.17	3.7	3.65	3.5	3.12	3.4	2.83	3.3	2.54	3.2	2.25
	7	3.8	6.33	3.6	4.98	3.5	4.31	3.4	3.63	3.4	3.28	3.3	2.93	3.3	2.58
	12	3.6	7.58	3.4	5.84	3.3	4.97	3.2	4.10	3.2	3.67	3.1	3.24	3.1	2.81
	15	4.0	8.69	3.8	6.61	3.7	5.57	3.6	4.53	3.5	4.03	3.4	3.53	3.3	3.03
20	4.7	10.02	4.4	8.28	4.3	6.86	4.1	5.43	4.0	4.77	3.9	4.10	3.8	3.44	

■ SUZ-SWM100VAH

Water outlet temperature [°C]		25		35		40		45		50		55		60	
Ambient temperature [°C]		Capacity	COP	Capacity	COP	Capacity	COP	Capacity	COP	Capacity	COP	Capacity	COP	Capacity	COP
Max	-25	-	-	4.8	1.73	4.4	1.57	-	-	-	-	-	-	-	-
	-20	-	-	6.0	1.87	5.6	1.74	5.2	1.61	-	-	-	-	-	-
	-15	-	-	7.0	2.18	6.6	1.97	6.1	1.77	6.0	1.61	5.9	1.46	-	-
	-10	9.0	2.72	8.0	2.28	7.7	2.10	7.0	1.84	6.7	1.68	6.3	1.51	-	-
	-7	10.1	3.03	9.0	2.46	8.5	2.17	7.9	1.88	7.4	1.73	6.8	1.57	-	-
	2	9.9	3.45	9.2	2.90	8.9	2.62	8.5	2.34	8.5	2.19	8.5	2.03	7.7	1.87
	7	12.1	4.30	11.7	3.56	11.5	3.19	11.3	2.82	10.4	2.63	9.5	2.43	7.0	2.24
	12	12.2	5.56	11.7	4.54	11.5	4.03	11.2	3.52	10.4	3.22	9.5	2.91	7.0	2.61
	15	13.1	6.03	12.7	4.91	12.5	4.35	12.3	3.79	10.9	3.52	9.5	3.25	7.0	2.98
20	15.2	6.47	14.7	5.52	14.5	4.88	14.2	4.23	11.9	4.04	9.5	3.85	7.0	3.66	
Nominal	-25	-	-	4.8	1.73	4.4	1.57	-	-	-	-	-	-	-	-
	-20	-	-	6.0	1.87	5.6	1.74	5.2	1.61	-	-	-	-	-	-
	-15	-	-	7.0	2.18	6.6	1.97	6.1	1.77	6.0	1.61	5.9	1.46	-	-
	-10	7.5	2.79	7.5	2.32	7.3	2.08	7.0	1.84	6.7	1.68	6.3	1.51	-	-
	-7	7.5	3.50	7.5	2.73	7.5	2.33	7.5	1.93	7.4	1.73	6.8	1.57	-	-
	2	9.0	3.63	9.0	3.00	8.9	2.62	8.5	2.34	8.5	2.19	8.5	2.03	7.7	1.87
	7	7.5	6.26	7.5	4.85	7.5	4.15	7.5	3.44	7.5	3.12	7.5	2.80	7.0	2.24
	12	10.0	6.40	10.0	5.08	10.0	4.42	10.0	3.76	9.8	3.34	9.5	2.91	7.0	2.61
	15	10.0	7.37	10.0	5.81	10.0	5.03	10.0	4.25	9.8	3.75	9.5	3.25	7.0	2.98
20	10.0	9.01	10.0	7.33	10.0	6.26	10.0	5.18	9.8	4.52	9.5	3.85	7.0	3.66	
Mid	-25	-	-	3.8	1.73	3.6	1.57	-	-	-	-	-	-	-	-
	-20	-	-	4.8	1.97	4.5	1.67	4.2	1.38	-	-	-	-	-	-
	-15	-	-	5.6	2.20	5.2	1.88	4.9	1.56	4.8	1.24	4.7	1.26	-	-
	-10	6.0	3.03	6.0	2.43	5.8	2.12	5.6	1.81	5.3	1.65	5.0	1.49	-	-
	-7	6.0	3.40	6.0	2.71	6.0	2.36	6.0	2.01	5.9	1.82	5.4	1.63	-	-
	2	7.2	3.69	7.2	3.18	7.1	2.92	6.8	2.66	6.8	2.46	6.8	2.27	6.1	2.06
	7	6.0	6.51	6.0	5.08	6.0	4.37	6.0	3.65	6.0	3.28	6.0	2.91	5.6	2.54
	12	8.0	6.90	8.0	5.51	8.0	4.82	8.0	4.12	7.8	3.67	7.6	3.21	5.6	2.76
	15	8.0	7.89	8.0	6.26	8.0	5.45	8.0	4.63	7.8	4.10	7.6	3.56	5.6	3.03
20	8.0	9.60	8.0	7.84	8.0	6.71	8.0	5.57	7.8	4.88	7.6	4.18	5.6	3.49	
Min	-25	-	-	3.8	1.73	3.6	1.57	-	-	-	-	-	-	-	-
	-20	-	-	3.9	2.41	3.6	2.04	3.3	1.67	-	-	-	-	-	-
	-15	-	-	4.2	2.47	3.8	2.13	3.4	1.79	3.0	1.45	3.2	1.46	-	-
	-10	5.0	3.33	4.5	2.48	4.3	2.18	4.0	1.88	3.9	1.71	3.8	1.54	-	-
	-7	4.3	3.68	3.9	2.70	3.7	2.39	3.5	2.06	3.5	1.87	3.4	1.67	-	-
	2	4.1	5.22	3.8	4.17	3.7	3.65	3.5	3.12	3.4	2.83	3.3	2.54	3.2	2.25
	7	3.8	6.33	3.6	4.98	3.5	4.31	3.4	3.63	3.4	3.28	3.3	2.93	3.3	2.58
	12	3.6	7.58	3.4	5.84	3.3	4.97	3.2	4.10	3.2	3.67	3.1	3.24	3.1	2.81
	15	4.0	8.69	3.8	6.61	3.7	5.57	3.6	4.53	3.5	4.03	3.4	3.53	3.3	3.03
20	4.7	10.02	4.4	8.28	4.3	6.86	4.1	5.43	4.0	4.77	3.9	4.10	3.8	3.44	

■ PUD-SWM60VAA(-BS)

Water outlet temperature [°C]		25		35		40		45		50		55		60	
Ambient temperature [°C]		Capacity	COP	Capacity	COP	Capacity	COP	Capacity	COP	Capacity	COP	Capacity	COP	Capacity	COP
Max	-25	-	-	4.4	1.65	4.2	1.55	3.9	1.45	-	-	-	-	-	-
	-20	-	-	5.2	2.35	5.1	2.10	5.0	1.80	5.0	1.50	-	-	-	-
	-15	-	-	5.7	2.60	5.6	2.35	5.4	2.05	5.3	1.80	5.2	1.60	-	-
	-10	7.5	3.65	6.8	3.05	6.7	2.70	6.5	2.35	6.0	2.05	5.4	2.00	-	-
	-7	8.0	3.70	7.6	3.10	7.2	2.80	6.8	2.45	6.4	2.15	6.0	2.00	5.3	1.65
	2	7.5	4.40	7.0	3.50	6.8	3.20	6.5	2.85	6.2	2.40	6.0	1.78	5.5	1.75
	7	9.0	5.50	8.3	4.70	8.0	4.15	7.6	3.55	7.2	3.15	6.9	2.60	6.2	2.35
	12	9.6	6.55	9.2	5.50	9.1	4.85	8.9	4.15	8.4	3.65	7.9	3.15	7.0	2.75
	15	9.9	7.05	9.6	5.90	9.5	5.20	9.3	4.50	8.8	3.90	8.3	3.45	7.3	3.00
20	10.2	8.10	10.0	6.80	9.9	6.00	9.7	5.20	9.5	4.55	9.2	3.75	8.4	3.45	
Nominal	-25	-	-	4.4	1.65	4.2	1.55	3.9	1.45	-	-	-	-	-	-
	-20	-	-	5.2	2.35	5.1	2.10	5.0	1.80	5.0	1.50	-	-	-	-
	-15	-	-	5.7	2.60	5.6	2.35	5.4	2.05	5.3	1.80	5.2	1.60	-	-
	-10	6.0	3.75	5.7	3.13	5.6	2.75	5.5	2.35	5.5	2.05	5.4	2.00	-	-
	-7	6.0	3.85	6.0	3.15	6.0	2.80	6.0	2.45	6.0	2.15	6.0	2.00	5.3	1.65
	2	6.0	4.60	6.0	3.60	6.0	3.25	6.0	2.85	6.0	2.40	6.0	1.78	5.5	1.75
	7	5.0	5.45	5.0	4.76	5.0	4.20	5.0	3.60	5.0	3.15	5.0	2.65	5.0	2.45
	12	5.0	6.15	5.0	5.15	5.0	4.70	5.0	4.20	5.0	3.60	5.0	3.10	5.0	2.70
	15	5.0	6.95	5.0	5.80	5.0	5.10	5.0	4.40	5.0	3.85	5.0	3.35	5.0	2.95
20	5.0	7.75	5.0	6.75	5.0	5.90	5.0	5.05	5.0	4.40	5.0	3.75	5.0	3.35	
Mid	-25	-	-	3.6	1.60	3.5	1.50	3.4	1.35	-	-	-	-	-	-
	-20	-	-	4.3	2.35	4.2	2.10	4.1	1.80	4.0	1.50	-	-	-	-
	-15	-	-	4.9	2.55	4.8	2.30	4.7	2.00	4.6	1.75	4.5	1.55	-	-
	-10	4.8	3.75	4.6	3.00	4.5	2.65	4.4	2.30	4.4	2.00	4.3	1.80	-	-
	-7	4.8	3.75	4.8	3.20	4.8	2.85	4.8	2.45	4.8	2.15	4.8	2.00	4.2	1.65
	2	4.8	4.65	4.8	3.70	4.8	3.30	4.8	2.85	4.8	2.45	4.8	2.15	4.4	1.85
	7	4.0	5.25	4.0	4.35	4.0	3.95	4.0	3.50	4.0	3.00	4.0	2.70	4.0	2.40
	12	4.0	5.75	4.0	4.85	4.0	4.50	4.0	4.10	4.0	3.50	4.0	3.00	4.0	2.60
	15	4.0	6.80	4.0	5.70	4.0	5.00	4.0	4.30	4.0	3.75	4.0	3.25	4.0	2.90
20	4.2	7.45	4.0	6.60	4.0	5.75	4.0	4.90	4.0	4.20	4.0	3.65	4.0	3.30	
Min	-25	-	-	3.6	1.60	3.5	1.50	3.4	1.35	-	-	-	-	-	-
	-20	-	-	4.3	2.35	4.2	2.10	4.1	1.80	3.9	1.50	-	-	-	-
	-15	-	-	4.9	2.55	4.8	2.30	4.7	2.00	4.6	1.75	4.5	1.55	-	-
	-10	3.8	3.60	3.5	2.85	3.4	2.55	3.3	2.20	3.2	1.90	3.1	1.60	-	-
	-7	3.9	3.65	3.5	2.85	3.3	2.55	3.1	2.20	3.0	1.95	2.9	1.70	3.7	1.65
	2	3.4	4.60	3.1	3.60	2.9	3.20	2.6	2.75	2.4	2.05	2.1	1.80	3.2	1.80
	7	2.7	4.80	2.4	3.50	2.3	3.30	2.2	3.05	2.0	2.50	1.7	2.30	2.6	2.20
	12	3.3	5.35	3.0	4.45	2.8	4.20	2.6	3.90	2.2	3.20	1.8	2.60	2.9	2.50
	15	3.8	6.75	3.2	5.60	3.0	4.85	2.8	4.10	2.4	3.45	1.9	2.90	3.1	2.80
20	4.2	7.45	3.7	6.55	3.4	5.65	3.1	4.75	2.9	3.90	2.6	3.30	3.5	3.25	

■ PUD-SWM80VAA(-BS) PUD-SWM80YAA(-BS)

Water outlet temperature [°C]		25		35		40		45		50		55		60	
Ambient temperature [°C]		Capacity	COP	Capacity	COP	Capacity	COP	Capacity	COP	Capacity	COP	Capacity	COP	Capacity	COP
Max	-25	-	-	5.0	1.70	4.9	1.55	4.7	1.44	-	-	-	-	-	-
	-20	-	-	6.7	2.20	6.6	1.95	6.4	1.70	6.2	1.45	-	-	-	-
	-15	-	-	7.3	2.50	7.0	2.25	6.6	2.00	6.7	1.75	6.8	1.55	-	-
	-10	8.5	3.50	7.6	2.99	7.5	2.65	7.3	2.35	7.3	2.00	7.2	1.91	-	-
	-7	9.4	3.60	8.8	3.00	8.6	2.75	8.4	2.45	8.3	2.10	8.0	1.95	7.2	1.55
	2	9.9	3.90	9.3	3.30	9.1	3.00	8.8	2.65	8.8	2.30	8.2	1.80	8.0	1.70
	7	9.6	5.40	9.9	4.60	8.6	4.05	8.2	3.45	7.9	3.10	7.5	2.55	6.8	2.30
	12	10.4	6.35	9.9	5.45	9.7	4.80	9.5	4.10	9.1	3.60	8.6	3.10	7.7	2.70
	15	10.7	6.95	10.4	5.85	10.2	5.20	10.0	4.50	9.5	3.85	9.0	3.45	8.0	2.95
20	10.9	7.90	10.8	6.70	10.6	5.95	10.4	5.15	10.2	4.45	9.7	3.70	9.1	3.45	
Nominal	-25	-	-	5.0	1.70	4.9	1.55	4.7	1.44	-	-	-	-	-	-
	-20	-	-	6.7	2.20	6.6	1.95	6.4	1.70	6.2	1.45	-	-	-	-
	-15	-	-	7.3	2.50	7.0	2.25	6.6	2.00	6.7	1.75	6.8	1.55	-	-
	-10	8.0	3.55	7.6	2.99	7.5	2.65	7.3	2.35	7.3	2.00	7.2	1.91	-	-
	-7	8.0	3.70	8.0	3.10	8.0	2.80	8.0	2.45	8.0	2.10	8.0	1.95	7.2	1.55
	2	8.0	4.35	8.0	3.55	8.0	3.15	8.0	2.75	8.0	2.40	8.0	1.82	8.0	1.70
	7	6.0	5.65	6.0	4.76	6.0	4.20	6.0	3.65	6.0	3.20	6.0	2.65	6.0	2.40
	12	6.0	6.45	6.0	5.35	6.0	4.80	6.0	4.25	6.0	3.65	6.0	3.10	6.0	2.75
	15	6.0	7.05	6.0	5.95	6.0	5.25	6.0	4.55	6.0	3.95	6.0	3.45	6.0	2.95
20	6.0	8.05	6.0	6.90	6.0	6.05	6.0	5.15	6.0	4.55	6.0	3.75	6.0	3.40	
Mid	-25	-	-	4.0	1.65	4.0	1.55	4.0	1.45	-	-	-	-	-	-
	-20	-	-	5.4	2.35	5.3	2.10	5.1	1.80	5.0	1.50	-	-	-	-
	-15	-	-	5.8	2.60	5.6	2.35	5.3	2.05	5.4	1.80	5.4	1.60	-	-
	-10	6.4	3.75	6.1	3.10	6.0	2.75	5.8	2.35	5.8	2.05	5.8	1.95	-	-
	-7	6.4	3.85	6.4	3.15	6.4	2.80	6.4	2.45	6.4	2.15	6.4	2.00	6.0	1.65
	2	6.4	4.55	6.4	3.60	6.4	3.25	6.4	2.85	6.4	2.50	6.4	2.10	6.4	1.80
	7	4.8	5.40	4.8	4.65	4.8	4.15	4.8	3.60	4.8	3.10	4.8	2.65	4.8	2.45
	12	4.8	6.10	4.8	5.10	4.8	4.65	4.8	4.20	4.8	3.60	4.8	3.05	4.8	2.70
	15	4.8	6.95	4.8	5.85	4.8	5.15	4.8	4.45	4.8	3.85	4.8	3.35	4.8	2.90
20	4.8	7.70	4.8	6.75	4.8	5.90	4.8	5.00	4.8	4.35	4.8	3.65	4.8	3.35	
Min	-25	-	-	3.6	1.60	3.5	1.50	3.4	1.35	-	-	-	-	-	-
	-20	-	-	4.3	2.35	4.2	2.10	4.1	1.80	3.9	1.50	-	-	-	-
	-15	-	-	4.9	2.55	4.8	2.30	4.7	2.00	4.6	1.75	4.5	1.55	-	-
	-10	3.8	3.60	3.5	2.85	3.4	2.55	3.3	2.20	3.2	1.90	3.1	1.60	-	-
	-7	3.9	3.65	3.5	2.85	3.3	2.55	3.1	2.20	3.0	1.95	2.9	1.70	3.7	1.65
	2	3.4	4.60	3.1	3.60	2.9	3.20	2.6	2.75	2.4	2.05	2.1	1.80	3.2	1.80
	7	2.7	4.80	2.4	3.50	2.3	3.30	2.2	3.05	2.0	2.50	1.7	2.30	2.6	2.20
	12	3.3	5.35	3.0	4.45	2.8	4.20	2.6	3.90	2.2	3.20	1.8	2.60	2.9	2.50
	15	3.8	6.75	3.2	5.60	3.0	4.85	2.8	4.10	2.4	3.45	1.9	2.90	3.1	2.75
20	4.2	7.45	3.7	6.55	3.4	5.65	3.1	4.75	2.9	3.90	2.6	3.30	3.5	3.25	

■ PUD-SWM100VAA(-BS) PUD-SWM100YAA(-BS)

Water outlet temperature [°C]		25		35		40		45		50		55		60	
Ambient temperature [°C]		Capacity	COP	Capacity	COP	Capacity	COP	Capacity	COP	Capacity	COP	Capacity	COP	Capacity	COP
Max	-25	-	-	7.0	1.80	7.0	1.70	6.9	1.60	-	-	-	-	-	-
	-20	-	-	8.0	2.10	7.8	1.90	7.6	1.70	7.0	1.40	-	-	-	-
	-15	-	-	9.0	2.20	8.8	2.05	8.5	1.85	7.9	1.65	7.3	1.55	-	-
	-10	11.5	2.70	11.0	2.50	10.8	2.30	10.5	2.05	9.7	1.95	9.3	1.80	-	-
	-7	12.4	2.90	11.9	2.65	11.6	2.45	11.3	2.20	10.2	2.00	9.5	1.85	7.8	1.60
	2	12.4	3.15	12.1	3.00	11.8	2.75	11.5	2.45	11.0	2.25	10.0	1.93	8.7	1.85
	7	11.4	5.50	10.9	4.65	10.5	4.00	10.0	3.35	9.7	3.05	9.2	2.45	8.5	2.25
	12	12.9	6.30	12.2	5.45	12.0	4.75	11.7	4.00	11.1	3.50	10.5	2.95	9.5	2.55
	15	13.4	6.70	13.0	5.65	12.7	5.10	12.4	4.50	11.8	4.10	11.1	3.55	10.0	2.90
20	14.2	7.60	13.8	6.25	13.5	5.65	13.1	5.00	12.5	4.35	11.4	3.75	10.5	3.55	
Nominal	-25	-	-	7.0	1.80	7.0	1.70	6.9	1.60	-	-	-	-	-	-
	-20	-	-	8.0	2.10	7.8	1.90	7.6	1.70	7.0	1.40	-	-	-	-
	-15	-	-	9.0	2.20	8.8	2.05	8.5	1.85	7.9	1.65	7.3	1.55	-	-
	-10	10.0	3.25	10.0	2.86	10.0	2.50	10.0	2.15	9.7	1.95	9.3	1.80	-	-
	-7	10.0	3.50	10.0	2.95	10.0	2.65	10.0	2.35	10.0	2.05	9.5	1.85	7.8	1.60
	2	10.0	4.10	10.0	3.30	10.0	3.00	10.0	2.65	10.0	2.35	10.0	1.93	8.7	1.85
	7	8.0	5.90	8.0	5.00	8.0	4.30	8.0	3.60	8.0	3.20	8.0	2.60	8.0	2.30
	12	8.0	7.20	8.0	5.90	8.0	5.10	8.0	4.30	8.0	3.75	8.0	3.10	8.0	2.65
	15	8.0	7.50	8.0	6.20	8.0	5.50	8.0	4.80	8.0	4.25	8.0	3.65	8.0	2.95
20	8.0	8.65	8.0	7.10	8.0	6.25	8.0	5.40	8.0	4.65	8.0	3.85	8.0	3.75	
Mid	-25	-	-	5.6	1.75	5.6	1.70	5.5	1.60	-	-	-	-	-	-
	-20	-	-	6.4	2.35	6.3	2.10	6.1	1.80	5.6	1.50	-	-	-	-
	-15	-	-	7.2	2.50	7.0	2.25	6.8	2.00	6.3	1.80	5.8	1.60	-	-
	-10	8.0	3.70	8.0	3.10	8.0	2.70	8.0	2.30	7.8	2.05	7.4	1.85	-	-
	-7	8.0	3.75	8.0	3.10	8.0	2.80	8.0	2.45	8.0	2.15	7.6	1.95	6.2	1.65
	2	8.0	4.45	8.0	3.60	8.0	3.25	8.0	2.85	8.0	2.50	8.0	2.15	7.0	1.95
	7	6.4	5.80	6.4	5.00	6.4	4.35	6.4	3.70	6.4	3.25	6.4	2.75	6.4	2.35
	12	6.4	7.25	6.4	5.55	6.4	4.95	6.4	4.30	6.4	3.75	6.4	3.10	6.4	2.70
	15	6.4	7.50	6.4	6.15	6.4	5.45	6.4	4.70	6.4	4.15	6.4	3.60	6.4	2.95
20	6.4	8.35	6.4	7.05	6.4	6.20	6.4	5.30	6.4	4.60	6.4	3.80	6.4	3.70	
Min	-25	-	-	4.3	1.65	4.3	1.60	4.2	1.50	-	-	-	-	-	-
	-20	-	-	4.9	2.40	4.8	2.15	4.7	1.85	4.5	1.55	-	-	-	-
	-15	-	-	5.6	2.70	5.5	2.40	5.4	2.05	5.3	1.85	5.2	1.55	-	-
	-10	3.8	3.60	3.6	2.90	3.5	2.60	3.4	2.25	3.3	1.90	3.1	1.60	-	-
	-7	3.8	3.70	3.5	2.90	3.4	2.60	3.2	2.25	3.0	2.00	2.9	1.70	3.7	1.65
	2	3.5	4.70	3.2	3.60	3.0	3.20	2.7	2.75	2.4	2.05	2.1	1.80	3.2	1.90
	7	2.7	4.90	2.5	3.55	2.4	3.35	2.3	3.10	2.0	2.60	1.7	2.30	2.6	2.25
	12	3.4	6.90	3.1	4.55	2.9	4.25	2.7	3.95	2.3	3.25	1.9	2.65	2.9	2.55
	15	4.0	7.30	3.3	5.70	3.1	4.95	2.9	4.20	2.5	3.60	2.0	3.00	3.1	2.75
20	4.3	7.60	3.8	6.65	3.5	5.75	3.2	4.85	2.9	4.10	2.6	3.30	3.5	3.35	

■ PUD-SWM120VAA(-BS) PUD-SWM120YAA(-BS)

Water outlet temperature [°C]		25		35		40		45		50		55		60	
Ambient temperature [°C]		Capacity	COP	Capacity	COP	Capacity	COP	Capacity	COP	Capacity	COP	Capacity	COP	Capacity	COP
Max	-25	-	-	8.2	1.70	8.1	1.65	8.0	1.57	-	-	-	-	-	-
	-20	-	-	9.2	1.80	8.9	1.75	8.6	1.65	7.3	1.40	-	-	-	-
	-15	-	-	10.4	2.10	10.0	1.95	9.5	1.80	8.9	1.60	8.3	1.46	-	-
	-10	12.6	2.50	12.0	2.32	11.7	2.15	11.3	2.00	10.9	1.85	10.5	1.71	-	-
	-7	13.7	2.70	13.3	2.45	12.8	2.30	12.3	2.10	11.7	1.90	11.0	1.75	9.7	1.55
	2	13.0	3.15	12.7	2.85	12.6	2.60	12.4	2.35	12.2	2.10	12.0	1.85	10.8	1.70
	7	13.2	4.90	12.9	4.10	12.5	3.60	12.1	3.10	11.7	2.85	11.2	2.55	10.5	2.20
	12	15.0	5.40	14.5	4.55	14.2	4.10	13.8	3.60	13.2	3.10	12.6	2.65	11.7	2.30
	15	15.9	5.90	15.4	5.00	15.1	4.60	14.7	4.15	14.0	3.75	13.3	3.30	12.4	2.65
20	16.9	6.10	16.4	5.30	16.2	4.85	15.9	4.40	15.2	3.90	14.5	3.40	13.5	3.00	
Nominal	-25	-	-	8.2	1.70	8.1	1.65	8.0	1.57	-	-	-	-	-	-
	-20	-	-	9.2	1.80	8.9	1.75	8.6	1.65	7.3	1.40	-	-	-	-
	-15	-	-	10.4	2.10	10.0	1.95	9.5	1.80	8.9	1.60	8.3	1.46	-	-
	-10	12.0	2.80	11.0	2.72	11.0	2.40	11.0	2.05	10.9	1.85	10.5	1.71	-	-
	-7	12.0	3.20	12.0	2.70	12.0	2.45	12.0	2.15	11.5	1.95	11.0	1.75	9.7	1.55
	2	12.0	3.55	12.0	3.24	12.0	2.80	12.0	2.40	12.0	2.15	12.0	1.85	10.8	1.70
	7	10.0	5.75	10.0	4.70	10.0	4.05	10.0	3.40	10.0	3.05	10.0	2.65	10.0	2.25
	12	10.0	7.15	10.0	5.80	10.0	5.00	10.0	4.20	10.0	3.65	10.0	3.00	10.0	2.50
	15	10.0	7.45	10.0	6.15	10.0	5.45	10.0	4.75	10.0	4.20	10.0	3.60	10.0	2.90
20	10.0	8.65	10.0	7.00	10.0	6.20	10.0	5.35	10.0	4.60	10.0	3.80	10.0	3.60	
Mid	-25	-	-	6.6	1.80	6.5	1.75	6.4	1.65	-	-	-	-	-	-
	-20	-	-	7.4	2.20	7.2	2.00	6.9	1.75	5.8	1.50	-	-	-	-
	-15	-	-	8.3	2.40	8.0	2.20	7.6	2.00	7.1	1.75	6.6	1.60	-	-
	-10	9.6	3.45	8.8	3.00	8.8	2.65	8.8	2.30	8.7	2.05	8.4	1.85	-	-
	-7	9.6	3.60	9.6	3.05	9.6	2.75	9.6	2.40	9.2	2.10	8.8	1.90	7.8	1.60
	2	9.6	4.25	9.6	3.50	9.6	3.15	9.6	2.75	9.6	2.45	9.6	2.10	8.6	1.90
	7	8.0	5.90	8.0	5.00	8.0	4.35	8.0	3.65	8.0	3.20	8.0	2.70	8.0	2.30
	12	8.0	7.20	8.0	5.90	8.0	5.10	8.0	4.30	8.0	3.75	8.0	3.10	8.0	2.65
	15	8.0	7.55	8.0	6.20	8.0	5.50	8.0	4.80	8.0	4.25	8.0	3.65	8.0	2.95
20	8.0	8.70	8.0	7.10	8.0	6.25	8.0	5.40	8.0	4.65	8.0	3.85	8.0	3.75	
Min	-25	-	-	4.3	1.65	4.3	1.60	4.2	1.50	-	-	-	-	-	-
	-20	-	-	4.9	2.40	4.8	2.15	4.7	1.85	4.5	1.55	-	-	-	-
	-15	-	-	5.6	2.70	5.5	2.40	5.4	2.05	5.3	1.85	5.2	1.55	-	-
	-10	3.8	3.60	3.6	2.90	3.5	2.60	3.4	2.25	3.3	1.90	3.1	1.60	-	-
	-7	3.8	3.70	3.5	2.90	3.4	2.60	3.2	2.25	3.0	2.00	2.9	1.70	3.7	1.65
	2	3.5	4.70	3.2	3.60	3.0	3.20	2.7	2.75	2.4	2.05	2.1	1.80	3.2	1.90
	7	2.7	4.90	2.5	3.55	2.4	3.35	2.3	3.10	2.0	2.70	1.7	2.30	2.6	2.25
	12	3.4	6.90	3.1	4.55	2.9	4.25	2.7	3.95	2.3	3.35	1.9	2.70	2.9	2.60
	15	4.0	7.30	3.3	5.70	3.1	4.95	2.9	4.20	2.5	3.60	2.0	3.00	3.1	2.75
20	4.3	7.60	3.8	6.65	3.5	5.75	3.2	4.85	2.9	4.10	2.6	3.30	3.5	3.35	

■ PUD-SHWM60VAA(-BS)

Water outlet temperature [°C]	25		35		40		45		50		55		60	
	Capacity	COP	Capacity	COP	Capacity	COP	Capacity	COP	Capacity	COP	Capacity	COP	Capacity	COP
Max	Ambient temperature [°C]													
-28 (INJ)	-	-	4.7	1.70	4.6	1.55	4.4	1.42	-	-	-	-	-	-
-20 (INJ)	-	-	6.0	2.25	5.9	2.00	5.7	1.75	5.3	1.55	-	-	-	-
-15 (INJ)	-	-	7.3	2.60	7.2	2.35	7.0	2.05	6.6	1.90	5.8	1.70	-	-
-10 (INJ)	8.7	3.50	8.0	3.05	7.7	2.70	7.3	2.35	7.0	2.10	6.5	1.90	-	-
-7 (INJ)	9.0	3.60	8.3	3.10	8.0	2.80	7.6	2.45	7.3	2.15	6.9	1.95	5.8	1.70
2	7.5	4.40	7.0	3.60	6.8	3.25	6.5	2.90	6.2	2.45	6.0	1.91	6.0	1.75
7	9.0	5.50	8.3	4.70	8.0	4.15	7.6	3.55	7.2	3.15	6.9	2.65	6.2	2.35
12	9.6	6.55	9.2	5.50	9.1	4.85	8.9	4.15	8.4	3.65	7.9	3.15	7.0	2.75
15	9.9	7.05	9.6	5.90	9.5	5.20	9.3	4.50	8.8	3.90	8.3	3.45	7.3	3.00
20	10.2	8.10	10.0	6.80	9.9	6.00	9.7	5.20	9.5	4.55	9.2	3.75	8.4	3.45
Nominal	Ambient temperature [°C]													
-28 (INJ)	-	-	4.7	1.70	4.6	1.55	4.4	1.42	-	-	-	-	-	-
-20 (INJ)	-	-	6.0	2.25	5.9	2.00	5.7	1.75	5.3	1.55	-	-	-	-
-15 (INJ)	-	-	6.0	2.66	6.0	2.35	6.0	2.05	6.0	1.85	5.8	1.70	-	-
-10 (INJ)	6.0	3.75	6.0	3.21	6.0	2.85	6.0	2.50	6.0	2.10	6.0	2.02	-	-
-7	6.0	3.85	6.0	3.15	6.0	2.85	6.0	2.50	6.0	2.20	6.0	2.00	5.8	1.70
2	6.0	4.60	6.0	3.80	6.0	3.40	6.0	2.95	6.0	2.50	6.0	1.91	6.0	1.75
7	5.0	5.45	5.0	4.99	5.0	4.25	5.0	3.60	5.0	3.15	5.0	2.65	5.0	2.45
12	5.0	6.15	5.0	5.15	5.0	4.70	5.0	4.20	5.0	3.60	5.0	3.10	5.0	2.70
15	5.0	6.95	5.0	5.80	5.0	5.10	5.0	4.40	5.0	3.85	5.0	3.35	5.0	2.95
20	5.0	7.75	5.0	6.75	5.0	5.90	5.0	5.05	5.0	4.40	5.0	3.75	5.0	3.35
Mid	Ambient temperature [°C]													
-28	-	-	3.8	1.65	3.6	1.50	3.4	1.35	-	-	-	-	-	-
-20	-	-	4.8	2.35	4.7	2.10	4.6	1.80	4.3	1.50	-	-	-	-
-15	-	-	4.9	2.55	4.9	2.30	4.8	2.00	4.8	1.80	4.6	1.60	-	-
-10	4.8	3.75	4.8	3.10	4.8	2.75	4.8	2.40	4.8	2.05	4.8	1.80	-	-
-7	4.8	3.75	4.8	3.20	4.8	2.80	4.8	2.40	4.8	2.15	4.8	1.90	4.6	1.70
2	4.8	4.65	4.8	3.80	4.8	3.40	4.8	2.95	4.8	2.50	4.8	2.15	4.8	1.85
7	4.0	5.25	4.0	4.35	4.0	3.95	4.0	3.50	4.0	3.00	4.0	2.70	4.0	2.40
12	4.0	5.75	4.0	4.85	4.0	4.50	4.0	4.10	4.0	3.50	4.0	3.00	4.0	2.60
15	4.0	6.80	4.0	5.70	4.0	5.00	4.0	4.30	4.0	3.75	4.0	3.25	4.0	2.90
20	4.2	7.45	4.0	6.60	4.0	5.75	4.0	4.90	4.0	4.20	4.0	3.65	4.0	3.30
Min	Ambient temperature [°C]													
-28	-	-	3.6	1.60	3.5	1.50	3.4	1.35	-	-	-	-	-	-
-20	-	-	4.3	2.35	4.2	2.10	4.1	1.80	3.9	1.50	-	-	-	-
-15	-	-	4.9	2.55	4.8	2.30	4.7	2.00	4.6	1.75	4.5	1.55	-	-
-10	3.8	3.60	3.5	2.85	3.4	2.55	3.3	2.20	3.2	1.90	3.1	1.60	-	-
-7	3.8	3.70	3.5	2.90	3.4	2.60	3.2	2.25	3.1	2.00	2.9	1.70	3.7	1.65
2	3.4	4.60	3.1	3.60	2.9	3.20	2.6	2.75	2.4	2.05	2.1	1.80	3.2	1.80
7	2.7	4.80	2.4	3.50	2.3	3.30	2.2	3.05	2.0	2.50	1.7	2.30	2.6	2.20
12	3.3	5.35	3.0	4.45	2.8	4.20	2.6	3.90	2.2	3.20	1.8	2.60	2.9	2.50
15	3.8	6.75	3.2	5.60	3.0	4.85	2.8	4.10	2.4	3.45	1.9	2.90	3.1	2.80
20	4.2	7.45	3.7	6.55	3.4	5.65	3.1	4.75	2.9	3.90	2.6	3.30	3.5	3.25

■ PUD-SHWM80VAA(-BS)

PUD-SHWM80YAA(-BS)

Water outlet temperature [°C]	25		35		40		45		50		55		60	
	Capacity	COP	Capacity	COP	Capacity	COP	Capacity	COP	Capacity	COP	Capacity	COP	Capacity	COP
Max	Ambient temperature [°C]													
-28 (INJ)	-	-	5.6	1.75	5.5	1.60	5.3	1.41	-	-	-	-	-	-
-20 (INJ)	-	-	7.6	2.20	7.5	1.95	7.3	1.70	7.0	1.45	-	-	-	-
-15 (INJ)	-	-	8.8	2.50	8.5	2.25	8.2	1.95	7.9	1.85	7.4	1.60	-	-
-10 (INJ)	10.3	3.30	9.7	2.90	9.4	2.65	9.1	2.40	8.7	2.10	8.4	1.95	-	-
-7 (INJ)	10.6	3.30	10.0	2.97	9.7	2.65	9.4	2.35	9.1	2.15	8.8	1.95	7.6	1.55
2	10.1	3.90	9.5	3.30	9.3	2.95	9.0	2.60	8.7	2.40	8.4	1.75	8.2	1.65
7	9.6	5.40	8.9	4.60	8.6	4.05	8.2	3.45	7.9	3.10	7.5	2.55	6.8	2.30
12	10.4	6.35	9.9	5.45	9.7	4.80	9.5	4.10	9.1	3.60	8.6	3.10	7.7	2.70
15	10.7	6.95	10.4	5.85	10.2	5.20	10.0	4.50	9.5	3.85	9.0	3.45	8.0	2.95
20	10.9	7.90	10.8	6.70	10.6	5.95	10.4	5.15	10.2	4.45	9.7	3.70	9.1	3.45
Nominal	Ambient temperature [°C]													
-28 (INJ)	-	-	5.6	1.75	5.5	1.60	5.3	1.41	-	-	-	-	-	-
-20 (INJ)	-	-	7.6	2.20	7.5	1.95	7.3	1.70	7.0	1.45	-	-	-	-
-15 (INJ)	-	-	8.0	2.66	8.0	2.35	8.0	2.00	7.9	1.85	7.4	1.60	-	-
-10 (INJ)	8.0	3.55	8.0	3.09	8.0	2.75	8.0	2.40	8.0	2.15	8.0	1.97	-	-
-7 (INJ)	8.0	3.75	8.0	3.14	8.0	2.80	8.0	2.45	8.0	2.25	8.0	2.05	7.6	1.55
2	8.0	4.45	8.0	3.75	8.0	3.30	8.0	2.85	8.0	2.50	8.0	1.88	8.0	1.70
7	6.0	5.65	6.0	5.03	6.0	4.35	6.0	3.65	6.0	3.20	6.0	2.65	6.0	2.40
12	6.0	6.45	6.0	5.35	6.0	4.80	6.0	4.25	6.0	3.65	6.0	3.10	6.0	2.75
15	6.0	7.05	6.0	5.95	6.0	5.25	6.0	4.55	6.0	3.95	6.0	3.45	6.0	2.95
20	6.0	8.05	6.0	6.90	6.0	6.05	6.0	5.15	6.0	4.55	6.0	3.75	6.0	3.40
Mid	Ambient temperature [°C]													
-28 (INJ)	-	-	4.5	1.70	4.4	1.55	4.2	1.40	-	-	-	-	-	-
-20 (INJ)	-	-	6.1	2.35	6.0	2.05	5.8	1.75	5.6	1.50	-	-	-	-
-15 (INJ)	-	-	6.4	2.70	6.4	2.40	6.4	2.05	6.3	1.90	5.9	1.65	-	-
-10 (INJ)	6.4	3.75	6.4	3.10	6.4	2.80	6.4	2.50	6.4	2.15	6.4	1.80	-	-
-7	6.4	3.85	6.4	3.15	6.4	2.85	6.4	2.50	6.4	2.25	6.4	2.05	6.1	1.65
2	6.4	4.60	6.4	3.80	6.4	3.40	6.4	2.95	6.4	2.55	6.4	2.15	6.4	1.85
7	4.8	5.40	4.8	4.65	4.8	4.15	4.8	3.60	4.8	3.10	4.8	2.65	4.8	2.45
12	4.8	6.10	4.8	5.10	4.8	4.65	4.8	4.20	4.8	3.60	4.8	3.05	4.8	2.70
15	4.8	6.95	4.8	5.85	4.8	5.15	4.8	4.45	4.8	3.85	4.8	3.35	4.8	2.90
20	4.8	7.70	4.8	6.75	4.8	5.90	4.8	5.00	4.8	4.35	4.8	3.65	4.8	3.35
Min	Ambient temperature [°C]													
-28	-	-	3.6	1.60	3.5	1.50	3.4	1.35	-	-	-	-	-	-
-20	-	-	4.3	2.35	4.2	2.10	4.1	1.80	3.9	1.50	-	-	-	-
-15	-	-	4.9	2.55	4.8	2.30	4.7	2.00	4.6	1.75	4.5	1.55	-	-
-10	3.8	3.60	3.5	2.85	3.4	2.55	3.3	2.20	3.2	1.90	3.1	1.60	-	-
-7	3.8	3.70	3.5	2.90	3.4	2.60	3.2	2.25	3.1	2.00	2.9	1.70	3.7	1.65
2	3.4	4.60	3.1	3.60	2.9	3.20	2.6	2.75	2.4	2.05	2.1	1.80	3.2	1.80
7	2.7	4.80	2.4	3.50	2.3	3.30	2.2	3.05	2.0	2.50	1.7	2.30	2.6	2.20
12	3.3	5.35	3.0	4.45	2.8	4.20	2.6	3.90	2.2	3.20	1.8	2.60	2.9	2.50
15	3.8	6.75	3.2	5.60	3.0	4.85	2.8	4.10	2.4	3.45	1.9	2.90	3.1	2.75
20	4.2	7.45	3.7	6.55	3.4	5.65	3.1	4.75	2.9	3.90	2.6	3.30	3.5	3.25

■ PUD-SHWM100VAA(-BS) PUD-SHWM100YAA(-BS)

Water outlet temperature [°C]		25		35		40		45		50		55		60	
Ambient temperature [°C]		Capacity	COP	Capacity	COP	Capacity	COP	Capacity	COP	Capacity	COP	Capacity	COP	Capacity	COP
Max	-28 (INJ)	-	-	8.0	2.00	7.9	1.80	7.7	1.57	-	-	-	-	-	-
	-20 (INJ)	-	-	9.4	2.15	9.2	1.95	9.0	1.75	8.6	1.55	-	-	-	-
	-15 (INJ)	-	-	10.7	2.50	10.5	2.20	10.3	1.90	10.0	1.85	9.2	1.60	-	-
	-10 (INJ)	12.6	2.80	12.0	2.60	11.7	2.45	11.4	2.25	11.0	2.00	10.0	1.91	-	-
	-7 (INJ)	13.5	2.90	13.2	2.65	12.9	2.45	12.6	2.25	12.2	2.10	10.9	1.95	9.2	1.65
	2	12.8	3.45	12.4	3.15	12.2	2.90	11.9	2.60	11.4	2.30	10.4	2.00	9.4	1.85
	7	11.4	5.50	10.9	4.65	10.5	4.05	10.0	3.40	9.7	3.10	9.2	2.55	8.5	2.25
	12	12.9	6.30	12.2	5.45	12.0	4.75	11.7	4.00	11.1	3.50	10.5	2.95	9.5	2.55
	15	13.4	6.70	13.0	5.65	12.7	5.10	12.4	4.50	11.8	4.10	11.1	3.55	10.0	2.90
20	14.2	7.60	13.8	6.25	13.5	5.65	13.1	5.00	12.5	4.35	11.4	3.75	10.5	3.55	
Nominal	-28 (INJ)	-	-	8.0	2.00	7.9	1.80	7.7	1.57	-	-	-	-	-	-
	-20 (INJ)	-	-	9.4	2.15	9.2	1.95	9.0	1.75	8.6	1.55	-	-	-	-
	-15 (INJ)	-	-	10.0	2.60	10.0	2.30	10.0	1.95	10.0	1.85	9.2	1.60	-	-
	-10 (INJ)	10.0	3.45	10.0	2.92	10.0	2.65	10.0	2.40	10.0	2.10	10.0	1.91	-	-
	-7 (INJ)	10.0	3.50	10.0	3.05	10.0	2.75	10.0	2.45	10.0	2.25	10.0	2.00	9.2	1.65
	2	10.0	4.10	10.0	3.45	10.0	3.10	10.0	2.75	10.0	2.45	10.0	2.05	9.4	1.85
	7	8.0	5.90	8.0	5.00	8.0	4.35	8.0	3.65	8.0	3.20	8.0	2.60	8.0	2.30
	12	8.0	7.20	8.0	5.90	8.0	5.10	8.0	4.30	8.0	3.75	8.0	3.10	8.0	2.65
	15	8.0	7.55	8.0	6.20	8.0	5.50	8.0	4.80	8.0	4.25	8.0	3.65	8.0	2.95
20	8.0	8.65	8.0	7.10	8.0	6.25	8.0	5.40	8.0	4.65	8.0	3.85	8.0	3.75	
Mid	-28 (INJ)	-	-	6.4	2.05	6.3	1.85	6.2	1.60	-	-	-	-	-	-
	-20 (INJ)	-	-	7.2	2.35	7.2	2.10	7.2	1.80	6.9	1.60	-	-	-	-
	-15 (INJ)	-	-	8.0	2.65	8.0	2.35	8.0	2.00	8.0	1.90	7.4	1.70	-	-
	-10 (INJ)	8.0	3.70	8.0	3.10	8.0	2.80	8.0	2.50	8.0	2.20	8.0	1.85	-	-
	-7	8.0	3.70	8.0	3.15	8.0	2.85	8.0	2.50	8.0	2.30	8.0	2.05	7.4	1.75
	2	8.0	4.45	8.0	3.60	8.0	3.25	8.0	2.85	8.0	2.55	8.0	2.15	7.5	1.95
	7	6.4	5.80	6.4	5.00	6.4	4.35	6.4	3.70	6.4	3.25	6.4	2.75	6.4	2.35
	12	6.4	7.30	6.4	5.65	6.4	5.00	6.4	4.30	6.4	3.75	6.4	3.10	6.4	2.70
	15	6.4	7.55	6.4	6.15	6.4	5.45	6.4	4.70	6.4	4.15	6.4	3.60	6.4	2.95
20	6.4	8.35	6.4	7.05	6.4	6.20	6.4	5.30	6.4	4.60	6.4	3.80	6.4	3.70	
Min	-28	-	-	4.0	1.90	3.9	1.70	3.8	1.50	-	-	-	-	-	-
	-20	-	-	4.9	2.40	4.8	2.15	4.7	1.85	4.5	1.55	-	-	-	-
	-15	-	-	5.6	2.70	5.5	2.40	5.4	2.05	5.3	1.85	5.2	1.55	-	-
	-10	3.8	3.60	3.6	2.90	3.5	2.60	3.4	2.25	3.3	1.90	3.1	1.60	-	-
	-7	3.8	3.70	3.5	2.90	3.4	2.60	3.2	2.25	3.1	2.00	2.9	1.70	3.7	1.65
	2	3.5	4.70	3.2	3.60	3.0	3.20	2.7	2.75	2.4	2.30	2.1	1.80	3.2	1.90
	7	2.7	4.90	2.5	3.55	2.4	3.35	2.3	3.10	2.0	2.70	1.7	2.30	2.6	2.25
	12	3.4	6.90	3.1	4.55	2.9	4.25	2.7	3.95	2.3	3.25	1.9	2.65	2.9	2.55
	15	4.0	7.30	3.3	5.70	3.1	4.95	2.9	4.20	2.5	3.60	2.0	3.00	3.1	2.75
20	4.3	7.60	3.8	6.65	3.5	5.75	3.2	4.85	2.9	4.10	2.6	3.30	3.5	3.35	

■ PUD-SHWM120VAA(-BS) PUD-SHWM120YAA(-BS)

Water outlet temperature [°C]		25		35		40		45		50		55		60	
Ambient temperature [°C]		Capacity	COP	Capacity	COP	Capacity	COP	Capacity	COP	Capacity	COP	Capacity	COP	Capacity	COP
Max	-28 (INJ)	-	-	9.6	1.95	9.4	1.75	9.2	1.56	-	-	-	-	-	-
	-20 (INJ)	-	-	11.0	2.00	10.9	1.90	10.8	1.75	9.6	1.55	-	-	-	-
	-15 (INJ)	-	-	12.3	2.35	12.2	2.10	12.0	1.85	11.6	1.80	11.2	1.76	-	-
	-10 (INJ)	14.0	2.40	13.6	2.35	13.2	2.20	12.8	2.00	12.4	1.90	12.0	1.87	-	-
	-7 (INJ)	15.2	2.60	14.9	2.40	14.5	2.25	14.1	2.10	13.3	2.00	12.4	1.85	10.0	1.60
	2	13.5	3.30	13.2	3.10	12.9	2.85	12.6	2.55	12.3	2.25	12.0	2.03	11.0	1.80
	7	13.2	4.90	12.9	4.10	12.5	3.60	12.1	3.10	11.7	2.85	11.2	2.55	10.5	2.20
	12	15.0	5.40	14.5	4.55	14.2	4.10	13.8	3.60	13.2	3.10	12.6	2.65	11.7	2.30
	15	15.9	5.90	15.4	5.00	15.1	4.60	14.7	4.15	14.0	3.75	13.3	3.30	12.4	2.65
20	16.9	6.10	16.4	5.30	16.2	4.85	15.9	4.40	15.2	3.90	14.5	3.40	13.5	3.00	
Nominal	-28 (INJ)	-	-	9.6	1.95	9.4	1.75	9.2	1.56	-	-	-	-	-	-
	-20 (INJ)	-	-	11.0	2.00	10.9	1.90	10.8	1.75	9.6	1.55	-	-	-	-
	-15 (INJ)	-	-	12.0	2.45	12.0	2.15	12.0	1.85	11.6	1.80	11.2	1.76	-	-
	-10 (INJ)	12.0	3.20	12.0	2.77	12.0	2.50	12.0	2.20	12.0	1.95	12.0	1.87	-	-
	-7 (INJ)	12.0	3.30	12.0	2.85	12.0	2.60	12.0	2.35	12.0	2.15	12.0	1.95	10.0	1.60
	2	12.0	3.55	12.0	3.30	12.0	2.95	12.0	2.60	12.0	2.30	12.0	2.03	11.0	1.80
	7	10.0	5.75	10.0	4.80	10.0	4.10	10.0	3.40	10.0	3.05	10.0	2.65	10.0	2.25
	12	10.0	7.15	10.0	5.80	10.0	5.00	10.0	4.20	10.0	3.65	10.0	3.00	10.0	2.50
	15	10.0	7.45	10.0	6.15	10.0	5.45	10.0	4.75	10.0	4.20	10.0	3.60	10.0	2.90
20	10.0	8.65	10.0	7.00	10.0	6.20	10.0	5.35	10.0	4.60	10.0	3.80	10.0	3.60	
Mid	-28 (INJ)	-	-	7.7	2.05	7.6	1.85	7.4	1.60	-	-	-	-	-	-
	-20 (INJ)	-	-	8.8	2.25	8.7	2.05	8.6	1.80	7.8	1.60	-	-	-	-
	-15 (INJ)	-	-	9.6	2.55	9.6	2.25	9.6	1.95	9.3	1.90	9.0	1.80	-	-
	-10 (INJ)	9.6	3.50	9.6	3.00	9.6	2.70	9.6	2.40	9.6	2.15	9.6	1.90	-	-
	-7 (INJ)	9.6	3.60	9.6	3.10	9.6	2.80	9.6	2.45	9.6	2.25	9.6	2.05	8.0	1.70
	2	9.6	4.25	9.6	3.50	9.6	3.15	9.6	2.80	9.6	2.50	9.6	2.15	8.6	1.90
	7	8.0	5.90	8.0	5.00	8.0	4.35	8.0	3.65	8.0	3.20	8.0	2.70	8.0	2.30
	12	8.0	7.20	8.0	5.90	8.0	5.10	8.0	4.30	8.0	3.75	8.0	3.10	8.0	2.65
	15	8.0	7.55	8.0	6.20	8.0	5.50	8.0	4.80	8.0	4.25	8.0	3.65	8.0	2.95
20	8.0	8.70	8.0	7.10	8.0	6.25	8.0	5.40	8.0	4.65	8.0	3.85	8.0	3.75	
Min	-28	-	-	4.0	1.90	3.9	1.70	3.8	1.50	-	-	-	-	-	-
	-20	-	-	4.9	2.40	4.8	2.15	4.7	1.85	4.5	1.55	-	-	-	-
	-15	-	-	5.6	2.70	5.5	2.40	5.4	2.05	5.3	1.85	5.2	1.55	-	-
	-10	3.8	3.60	3.6	2.90	3.5	2.60	3.4	2.25	3.3	1.90	3.1	1.60	-	-
	-7	3.8	3.70	3.5	2.90	3.4	2.60	3.2	2.25	3.1	2.00	2.9	1.70	3.7	1.65
	2	3.5	4.70	3.2	3.60	3.0	3.20	2.7	2.75	2.4	2.30	2.1	1.80	3.2	1.90
	7	2.7	4.90	2.5	3.55	2.4	3.35	2.3	3.10	2.0	2.70	1.7	2.30	2.6	2.25
	12	3.4	6.90	3.1	4.55	2.9	4.25	2.7	3.95	2.3	3.35	1.9	2.70	2.9	2.60
	15	4.0	7.30	3.3	5.70	3.1	4.95	2.9	4.20	2.5	3.60	2.0	3.00	3.1	2.75
20	4.3	7.60	3.8	6.65	3.5	5.75	3.2	4.85	2.9	4.10	2.6	3.30	3		

■ PUD-SHWM140VAA(-BS) PUD-SHWM140YAA(-BS)

Water outlet temperature [°C]		25		35		40		45		50		55		60	
Ambient temperature [°C]		Capacity	COP	Capacity	COP	Capacity	COP	Capacity	COP	Capacity	COP	Capacity	COP	Capacity	COP
Max	-28 (INJ)	-	-	9.8	1.90	9.7	1.75	9.6	1.55	-	-	-	-	-	-
	-20 (INJ)	-	-	11.8	2.00	11.7	1.85	11.5	1.70	11.0	1.50	-	-	-	-
	-15 (INJ)	-	-	14.2	2.10	14.1	2.00	14.0	1.85	12.9	1.75	11.7	1.70	-	-
	-10 (INJ)	15.5	2.10	14.9	2.20	14.8	2.10	14.6	1.95	14.5	1.85	14.3	1.80	-	-
	-7 (INJ)	16.2	2.20	15.8	2.20	15.6	2.15	15.4	2.05	15.3	1.95	15.2	1.80	11.0	1.50
	2	15.6	2.90	14.6	2.90	14.5	2.60	14.3	2.30	14.2	2.10	14.0	1.95	12.0	1.65
	7	15.4	4.10	14.4	3.50	14.2	3.25	13.9	2.95	13.3	2.60	12.6	2.40	11.0	2.10
	12	16.3	5.00	15.4	4.20	15.1	3.75	14.8	3.25	14.2	2.85	13.6	2.45	12.4	2.20
	15	16.7	5.50	15.8	4.85	15.5	4.45	15.2	4.00	14.6	3.50	14.0	3.00	12.8	2.60
20	17.9	5.30	17.0	5.00	16.7	4.60	16.4	4.20	15.7	3.80	15.0	3.35	13.8	2.90	
Nominal	-28 (INJ)	-	-	9.8	1.90	9.7	1.75	9.6	1.55	-	-	-	-	-	-
	-20 (INJ)	-	-	11.8	2.00	11.7	1.85	11.5	1.70	11.3	1.45	-	-	-	-
	-15 (INJ)	-	-	14.0	2.15	14.0	2.00	14.0	1.85	12.9	1.75	11.7	1.70	-	-
	-10 (INJ)	14.0	2.60	14.0	2.69	14.0	2.35	14.0	2.00	14.0	1.85	14.0	1.80	-	-
	-7 (INJ)	14.0	2.95	14.0	2.70	14.0	2.45	14.0	2.20	14.0	1.95	14.0	1.87	11.0	1.50
	2	14.0	3.15	14.0	3.05	14.0	2.70	14.0	2.35	14.0	2.15	14.0	1.95	12.0	1.65
	7	12.0	5.50	12.0	4.70	12.0	3.95	12.0	3.20	12.0	2.80	12.0	2.45	11.0	2.10
	12	12.0	6.60	12.0	5.55	12.0	4.80	12.0	4.00	12.0	3.40	12.0	2.80	12.0	2.30
	15	12.0	7.20	12.0	5.90	12.0	5.25	12.0	4.60	12.0	4.05	12.0	3.45	12.0	2.75
20	12.0	8.40	12.0	6.70	12.0	5.95	12.0	5.20	12.0	4.45	12.0	3.70	12.0	3.35	
Mid	-28 (INJ)	-	-	7.8	2.05	7.8	1.85	7.7	1.60	-	-	-	-	-	-
	-20 (INJ)	-	-	9.4	2.20	9.3	2.00	9.2	1.80	9.0	1.60	-	-	-	-
	-15 (INJ)	-	-	11.2	2.45	11.2	2.20	11.2	1.90	10.3	1.90	9.4	1.80	-	-
	-10 (INJ)	11.2	3.35	11.2	2.90	11.2	2.60	11.2	2.30	11.2	2.05	11.2	1.90	-	-
	-7 (INJ)	11.2	3.45	11.2	3.05	11.2	2.75	11.2	2.40	11.2	2.20	11.2	2.00	8.8	1.65
	2	11.2	3.90	11.2	3.40	11.2	3.05	11.2	2.70	11.2	2.40	11.2	2.10	9.6	1.85
	7	9.6	6.00	9.6	4.90	9.6	4.25	9.6	3.55	9.6	3.10	9.6	2.60	8.8	2.30
	12	9.6	7.10	9.6	5.95	9.6	5.15	9.6	4.30	9.6	3.65	9.6	3.00	9.6	2.55
	15	9.6	7.50	9.6	6.20	9.6	5.50	9.6	4.80	9.6	4.25	9.6	3.65	9.6	2.90
20	9.6	8.75	9.6	7.10	9.6	6.25	9.6	5.40	9.6	4.60	9.6	3.80	9.6	3.70	
Min	-28	-	-	4.2	1.90	4.1	1.70	4.0	1.50	-	-	-	-	-	-
	-20	-	-	5.1	2.40	5.0	2.15	4.9	1.85	4.7	1.55	-	-	-	-
	-15	-	-	5.8	2.70	5.7	2.40	5.6	2.05	5.5	1.85	5.4	1.60	-	-
	-10	4.0	3.60	3.8	2.90	3.7	2.60	3.6	2.25	3.5	1.95	3.3	1.65	-	-
	-7	4.2	3.75	3.9	3.00	3.8	2.65	3.7	2.30	3.5	2.05	3.2	1.75	3.9	1.65
	2	3.9	4.70	3.5	3.65	3.4	3.25	3.2	2.80	3.0	2.35	2.7	1.90	3.5	1.90
	7	3.9	5.80	3.5	4.20	3.4	3.75	3.2	3.30	3.0	2.90	2.7	2.45	3.4	2.25
	12	4.2	7.10	3.9	5.10	3.7	4.60	3.5	4.10	3.3	3.50	3.0	2.85	3.8	2.65
	15	4.4	7.40	4.3	6.00	4.2	5.25	4.1	4.45	3.9	3.90	3.6	3.30	4.0	2.85
20	5.2	8.00	4.8	6.85	4.6	6.00	4.4	5.10	4.2	4.40	4.0	3.65	4.4	3.50	

■ PXZ-4F75VG

Water outlet temperature [°C]		25		35		40		45		50		55		60	
Ambient temperature [°C]		Capacity	COP	Capacity	COP	Capacity	COP	Capacity	COP	Capacity	COP	Capacity	COP	Capacity	COP
Max	-20	-	-	4.1	1.68	4.0	1.43	-	-	-	-	-	-	-	-
	-15	-	-	4.8	1.96	4.7	1.78	4.6	1.55	-	-	-	-	-	-
	-10	5.7	2.98	5.5	2.23	5.4	2.03	5.3	1.77	5.2	1.54	-	-	-	-
	-7	6.2	3.20	6.0	2.40	5.8	2.18	5.7	1.90	5.6	1.66	-	-	-	-
	2	7.0	3.74	6.8	2.80	6.7	2.59	6.6	2.37	6.4	2.16	6.3	1.94	-	-
	7	9.6	4.77	9.3	3.57	9.1	3.25	8.9	2.84	8.8	2.47	8.7	2.14	-	-
	12	10.4	5.13	10.2	3.90	10.0	3.61	9.9	3.15	9.7	2.73	9.5	2.37	-	-
	15	11.0	5.36	10.8	4.04	10.6	3.81	10.5	3.34	10.3	2.91	10.1	2.52	-	-
20	12.1	5.65	12.0	4.28	11.8	4.07	11.6	3.61	11.4	3.18	11.3	2.80	-	-	
Nominal	-20	-	-	4.1	1.68	4.0	1.43	-	-	-	-	-	-	-	-
	-15	-	-	4.8	1.96	4.7	1.78	4.6	1.55	-	-	-	-	-	-
	-10	5.7	2.98	5.5	2.23	5.4	2.03	5.3	1.77	5.2	1.54	-	-	-	-
	-7	6.2	3.20	6.0	2.40	5.8	2.18	5.7	1.90	5.6	1.66	-	-	-	-
	2	7.0	3.74	6.8	2.80	6.7	2.59	6.6	2.37	6.4	2.16	6.3	1.94	-	-
	7	7.8	5.56	7.5	4.17	7.5	3.74	7.5	3.32	7.5	2.89	7.5	2.46	-	-
	12	7.8	6.12	7.5	4.65	7.5	4.18	7.5	3.72	7.5	3.25	7.5	2.78	-	-
	15	7.1	6.62	7.5	5.00	7.5	4.54	7.5	4.08	7.5	3.62	7.5	3.16	-	-
20	6.7	8.05	7.5	6.10	7.5	5.50	7.5	4.91	7.5	4.31	7.5	3.72	-	-	
Mid	-20	-	-	3.3	1.83	3.2	1.56	-	-	-	-	-	-	-	-
	-15	-	-	3.8	2.13	3.8	1.94	3.7	1.70	-	-	-	-	-	-
	-10	4.6	3.25	4.4	2.43	4.3	2.22	4.3	1.93	4.2	1.68	-	-	-	-
	-7	4.9	3.49	4.8	2.61	4.7	2.38	4.6	2.08	4.5	1.81	-	-	-	-
	2	5.6	4.20	5.4	3.15	5.3	2.91	5.2	2.67	5.1	2.43	5.0	2.18	-	-
	7	6.2	5.76	6.0	4.31	6.0	3.87	6.0	3.43	6.0	2.99	6.0	2.55	-	-
	12	6.2	6.23	6.0	4.74	6.0	4.26	6.0	3.79	6.0	3.31	6.0	2.83	-	-
	15	5.7	7.04	6.0	5.32	6.0	4.83	6.0	4.34	6.0	3.85	6.0	3.36	-	-
20	5.3	7.91	6.0	5.99	6.0	5.41	6.0	4.82	6.0	4.24	6.0	3.65	-	-	
Min	-20	-	-	2.9	1.82	2.8	1.54	-	-	-	-	-	-	-	-
	-15	-	-	3.7	2.18	3.6	1.98	3.6	1.73	-	-	-	-	-	-
	-10	3.5	3.45	3.4	2.59	3.3	2.36	3.2	2.06	3.2	1.79	-	-	-	-
	-7	3.9	3.56	3.7	2.67	3.7	2.43	3.6	2.12	3.5	1.84	-	-	-	-
	2	3.0	4.13	2.9	3.10	2.8	2.86	2.8	2.62	2.7	2.39	2.7	2.15	-	-
	7	4.4	5.55	4.3	4.16	4.2	3.79	4.1	3.31	4.1	2.88	4.0	2.50	-	-
	12	5.0	6.32	4.9	4.81	4.8	4.44	4.7	3.88	4.7	3.37	4.6	2.92	-	-
	15	5.5	6.98	5.4	5.27	5.3	4.97	5.3	4.35	5.2	3.79	5.1	3.29	-	-
20	5.9	7.86	5.8	5.95	5.7	5.66	5.6	5.02	5.6	4.42	5.5	3.89	-	-	

■ PXZ-5F85VG

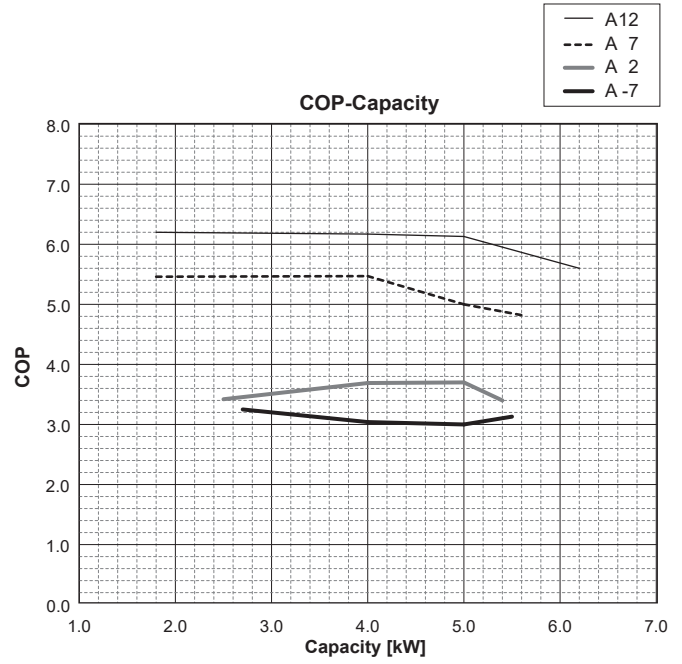
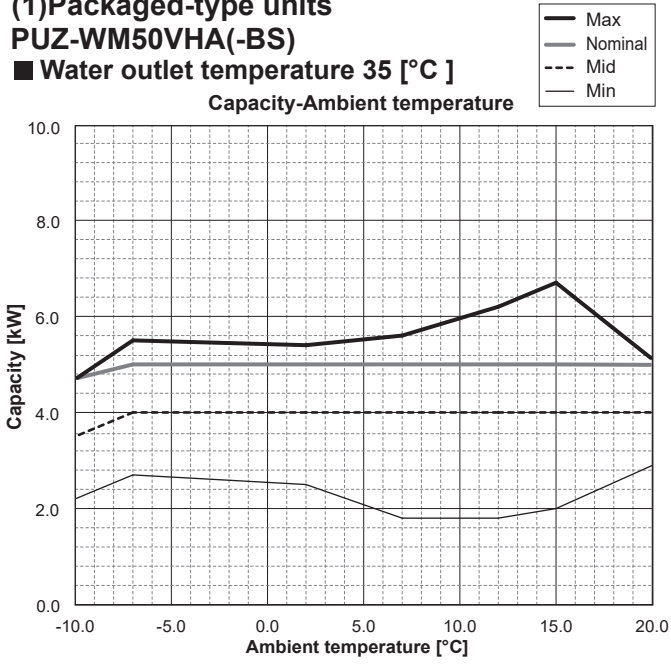
Water outlet temperature [°C]		25		35		40		45		50		55		60	
Ambient temperature [°C]		Capacity	COP	Capacity	COP	Capacity	COP	Capacity	COP	Capacity	COP	Capacity	COP	Capacity	COP
Max	-20	-	-	5.2	1.74	5.1	1.56	-	-	-	-	-	-	-	-
	-15	-	-	6.1	1.97	6.0	1.76	5.8	1.58	-	-	-	-	-	-
	-10	7.5	2.74	7.1	2.20	6.9	1.97	6.8	1.76	5.5	1.32	-	-	-	-
	-7	8.1	2.91	7.7	2.34	7.1	2.03	6.5	1.71	5.9	1.40	-	-	-	-
	2	8.2	3.73	7.8	3.00	7.6	2.71	7.5	2.42	7.3	2.13	7.1	1.84	-	-
	7	10.5	4.96	10.0	3.99	9.8	3.57	9.5	3.20	8.7	2.87	8.6	2.57	-	-
	12	11.5	5.42	10.9	4.33	10.6	3.87	10.4	3.45	9.5	3.08	9.4	2.75	-	-
	15	12.1	5.74	11.5	4.56	11.2	4.06	11.0	3.61	10.0	3.23	9.9	2.89	-	-
20	13.3	6.35	12.7	4.99	12.4	4.43	12.1	3.95	11.2	3.53	11.1	3.17	-	-	
Nominal	-20	-	-	5.2	1.74	5.1	1.56	-	-	-	-	-	-	-	-
	-15	-	-	6.1	1.97	6.0	1.76	5.8	1.58	-	-	-	-	-	-
	-10	7.5	2.74	7.1	2.20	6.9	1.97	6.8	1.76	5.5	1.32	-	-	-	-
	-7	8.1	2.91	7.7	2.34	7.1	2.03	6.5	1.71	5.9	1.40	-	-	-	-
	2	8.2	3.73	7.8	3.00	7.6	2.71	7.5	2.42	7.3	2.13	7.1	1.84	-	-
	7	8.9	5.40	8.5	4.34	8.5	3.91	8.5	3.48	8.5	3.04	8.5	2.61	-	-
	12	8.9	6.09	8.5	4.87	8.5	4.37	8.5	3.87	8.5	3.36	8.5	2.86	-	-
	15	8.9	6.69	8.5	5.32	8.5	4.76	8.5	4.21	8.5	3.65	8.5	3.10	-	-
20	8.9	7.98	8.5	6.27	8.5	5.58	8.5	4.90	8.5	4.21	8.5	3.53	-	-	
Mid	-20	-	-	4.1	1.80	4.0	1.61	-	-	-	-	-	-	-	-
	-15	-	-	4.9	2.04	4.8	1.83	4.7	1.64	-	-	-	-	-	-
	-10	6.0	2.84	5.7	2.28	5.5	2.04	5.4	1.83	4.4	1.37	-	-	-	-
	-7	6.5	3.02	6.1	2.43	5.7	2.10	5.2	1.78	4.7	1.45	-	-	-	-
	2	6.6	4.04	6.2	3.25	6.1	2.93	6.0	2.62	5.8	2.30	5.7	1.99	-	-
	7	7.2	5.64	6.8	4.53	6.8	4.08	6.8	3.63	6.8	3.18	6.8	2.73	-	-
	12	7.2	6.34	6.8	5.07	6.8	4.55	6.8	4.03	6.8	3.51	6.8	2.98	-	-
	15	7.2	7.01	6.8	5.57	6.8	4.99	6.8	4.41	6.8	3.83	6.8	3.25	-	-
20	7.1	8.25	6.8	6.48	6.8	5.77	6.8	5.06	6.8	4.35	6.8	3.65	-	-	
Min	-20	-	-	3.7	1.73	3.6	1.55	-	-	-	-	-	-	-	-
	-15	-	-	4.3	2.05	4.2	1.84	4.1	1.65	-	-	-	-	-	-
	-10	3.9	2.84	3.7	2.29	3.6	2.05	3.5	1.83	2.9	1.37	-	-	-	-
	-7	4.3	3.11	4.1	2.50	3.8	2.17	3.4	1.83	3.1	1.50	-	-	-	-
	2	3.5	3.90	3.3	3.14	3.3	2.84	3.2	2.53	3.1	2.23	3.0	1.93	-	-
	7	5.0	5.95	4.7	4.78	4.6	4.28	4.5	3.83	4.1	3.43	4.1	3.08	-	-
	12	5.6	6.37	5.3	5.09	5.2	4.54	5.1	4.05	4.6	3.62	4.6	3.24	-	-
	15	6.0	7.01	5.7	5.57	5.6	4.96	5.5	4.42	5.0	3.94	4.9	3.53	-	-
20	6.8	8.24	6.5	6.47	6.3	5.74	6.2	5.12	5.7	4.58	5.6	4.11	-	-	

5.3 Part load chart

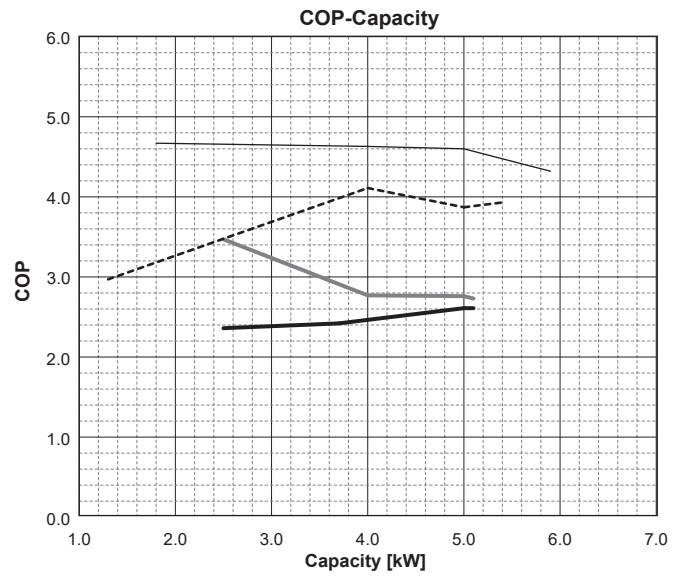
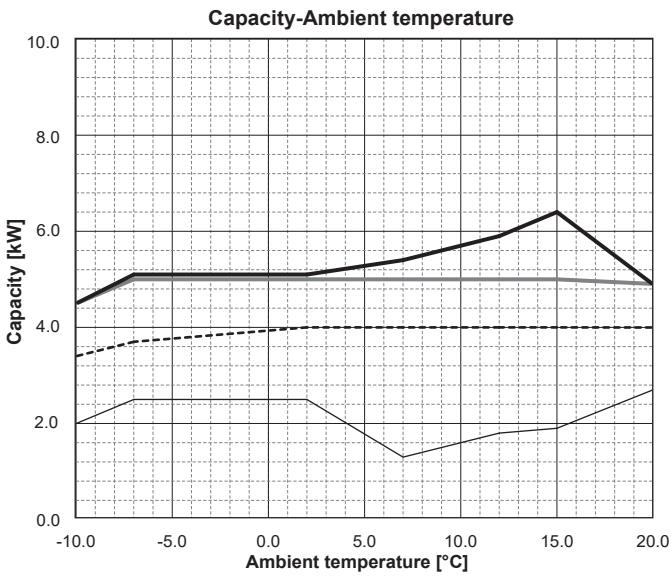
(1) Packaged-type units

PUZ-WM50VHA(-BS)

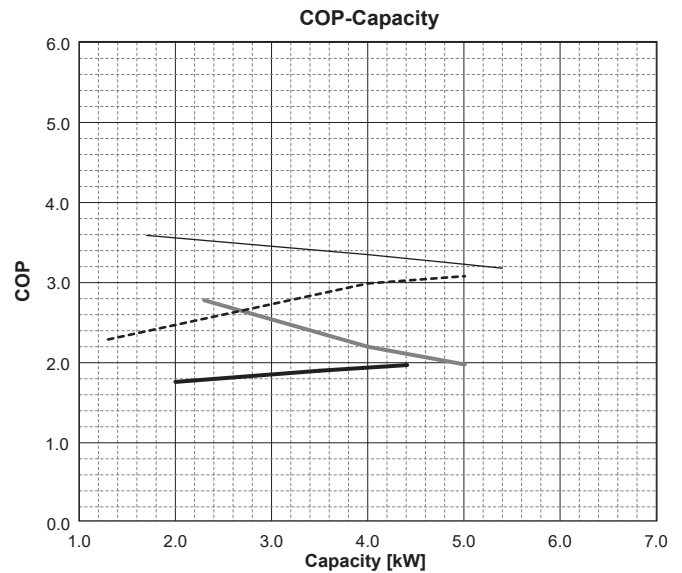
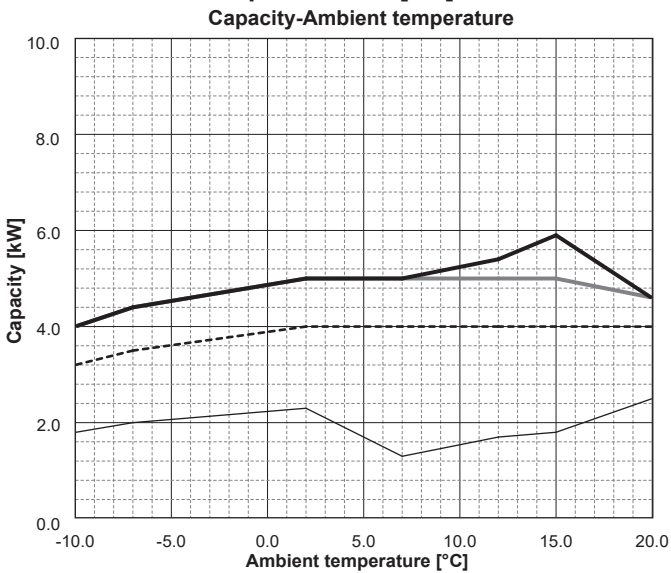
■ Water outlet temperature 35 [°C]



■ Water outlet temperature 45 [°C]



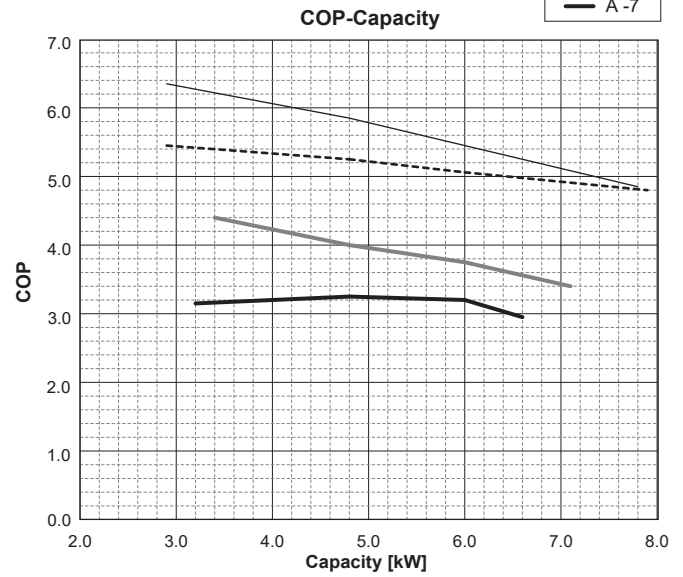
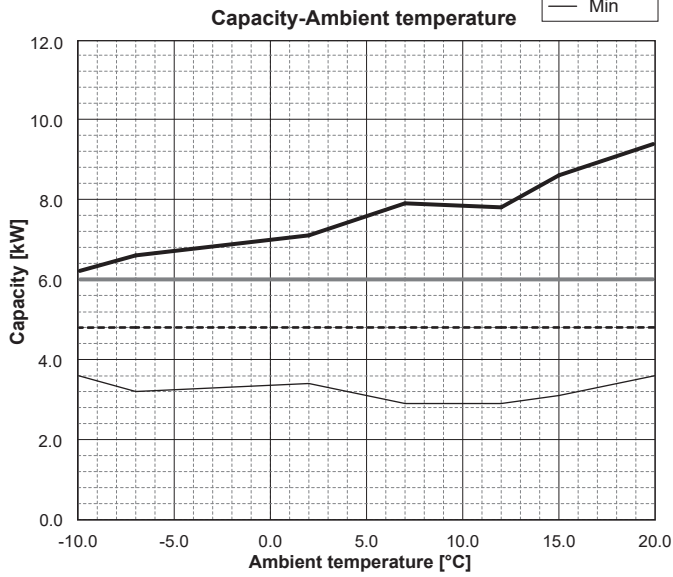
■ Water outlet temperature 55 [°C]



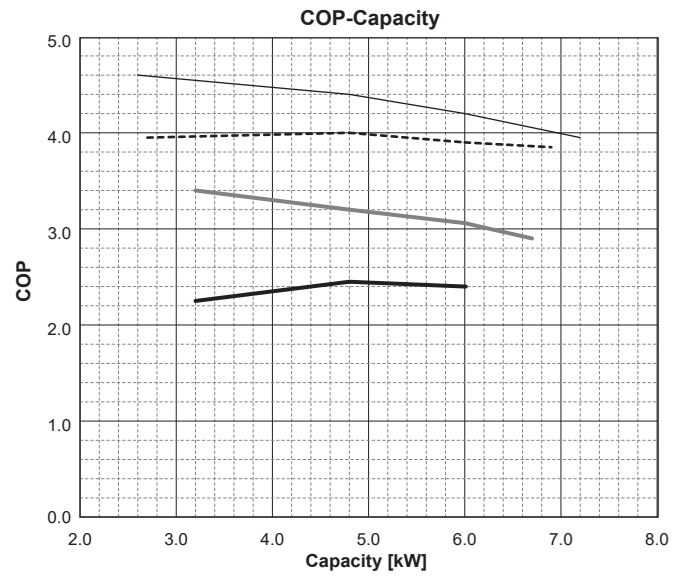
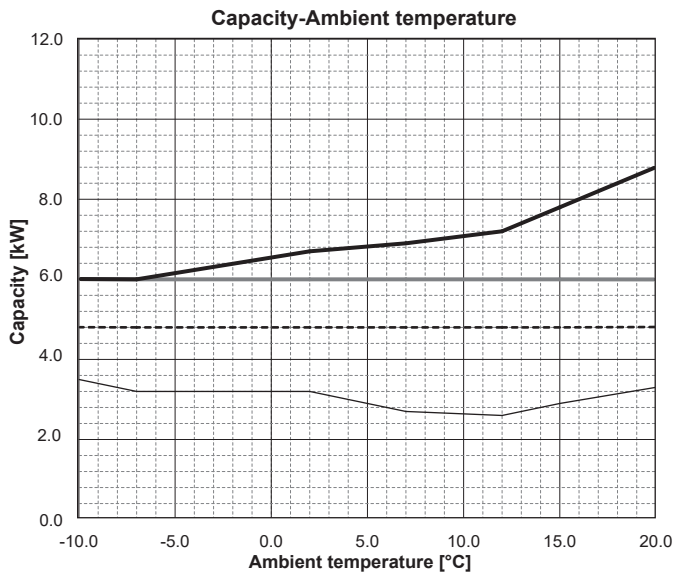
Outdoor unit

PUZ-WM60VAA(-BS)

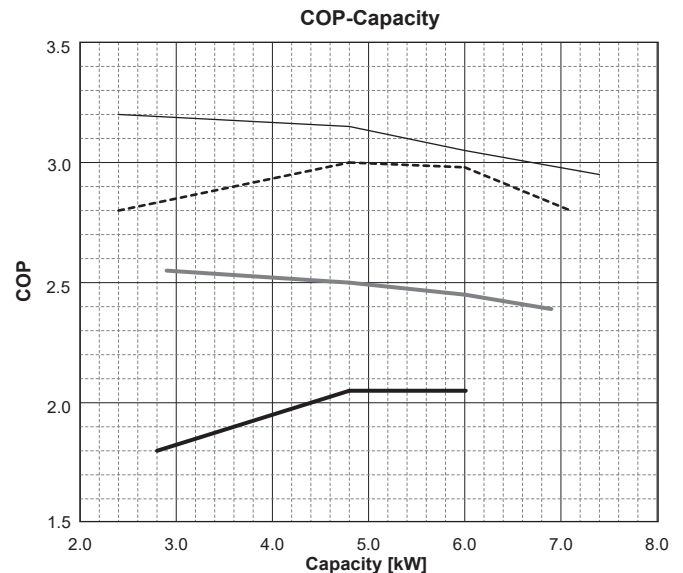
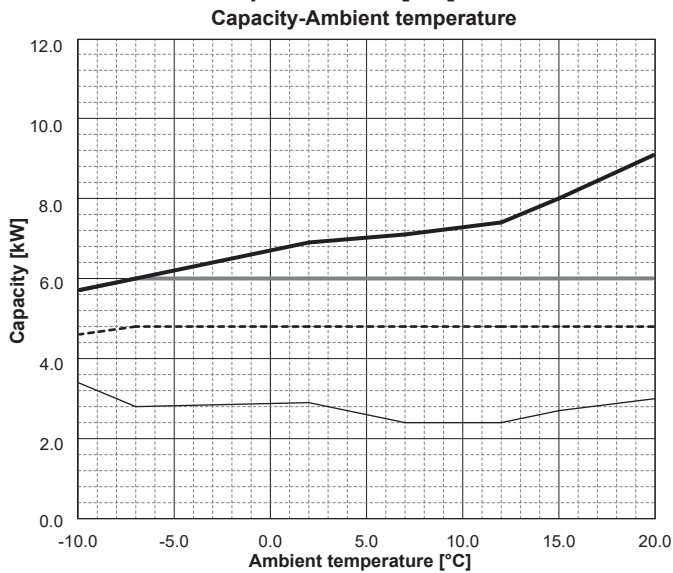
Water outlet temperature 35 [°C]



Water outlet temperature 45 [°C]



Water outlet temperature 55 [°C]

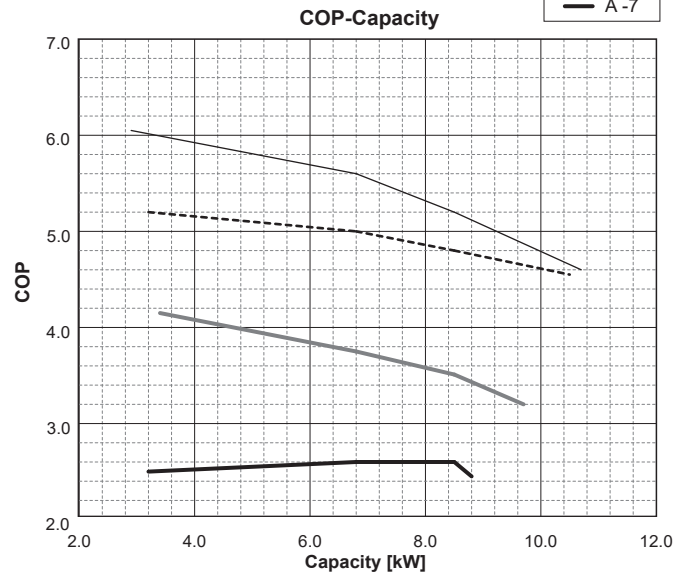
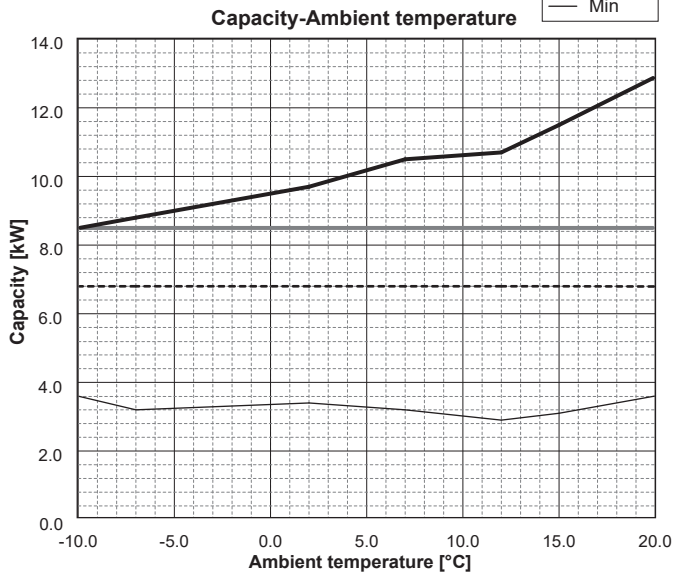


PUZ-WM85VAA(-BS)

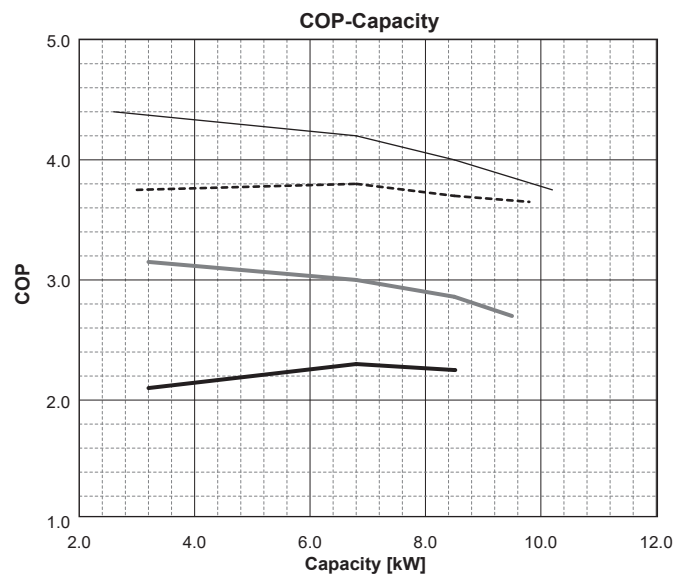
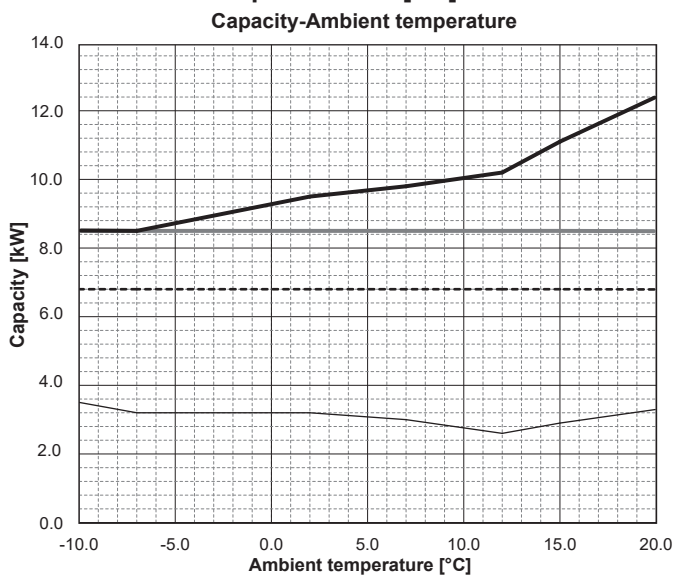
PUZ-WM85YAA(-BS)

Outdoor unit

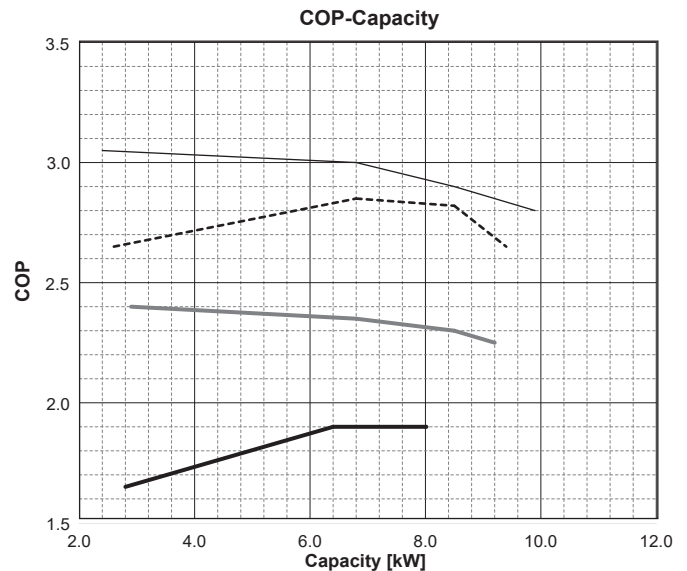
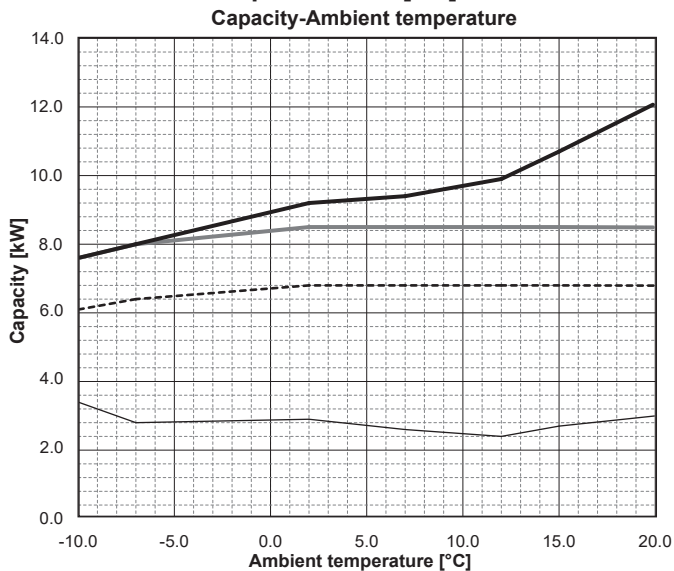
■ Water outlet temperature 35 [°C]



■ Water outlet temperature 45 [°C]



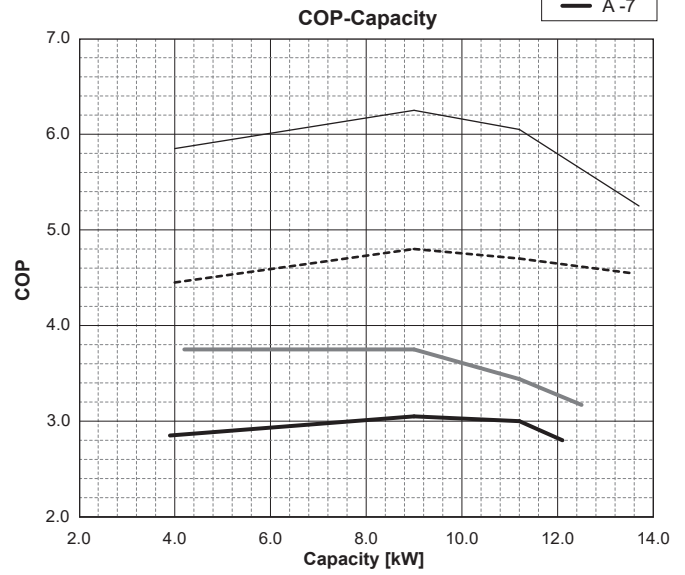
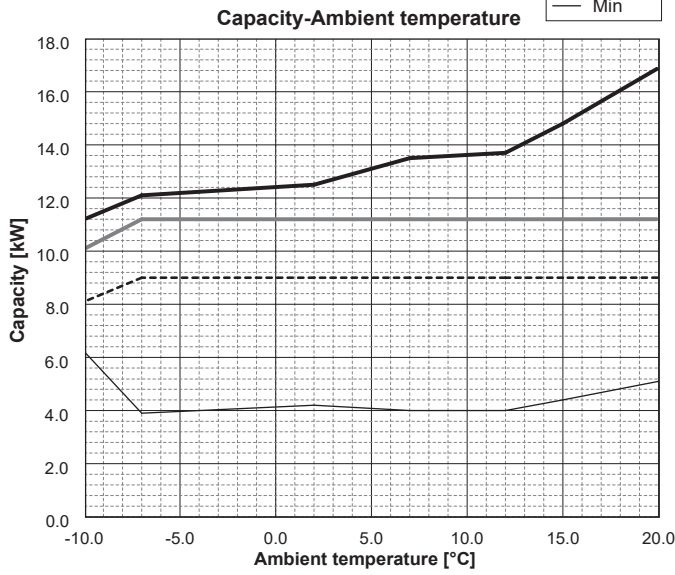
■ Water outlet temperature 55 [°C]



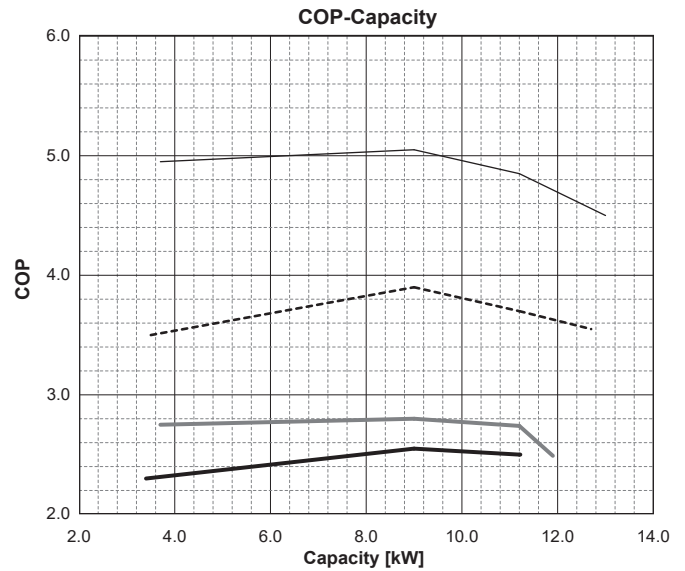
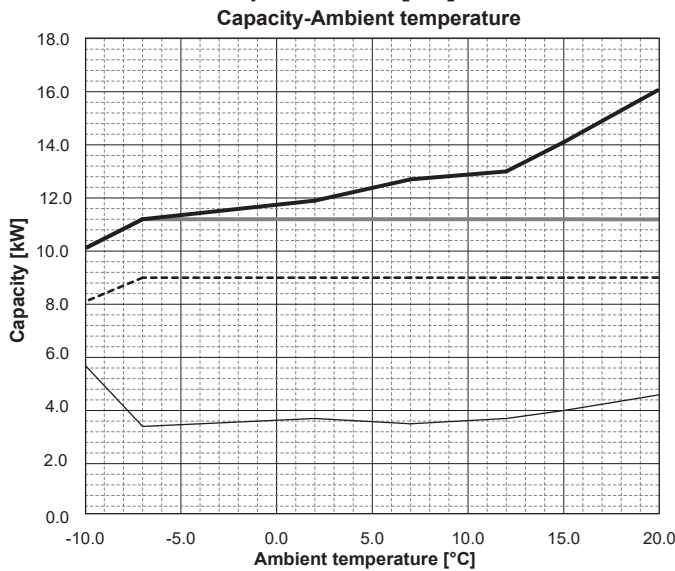
PUZ-WM112VAA(-BS)

PUZ-WM112YAA(-BS)

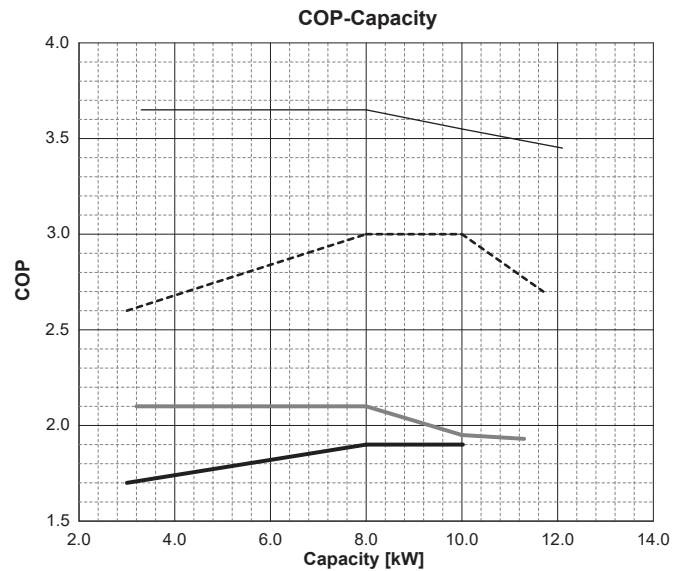
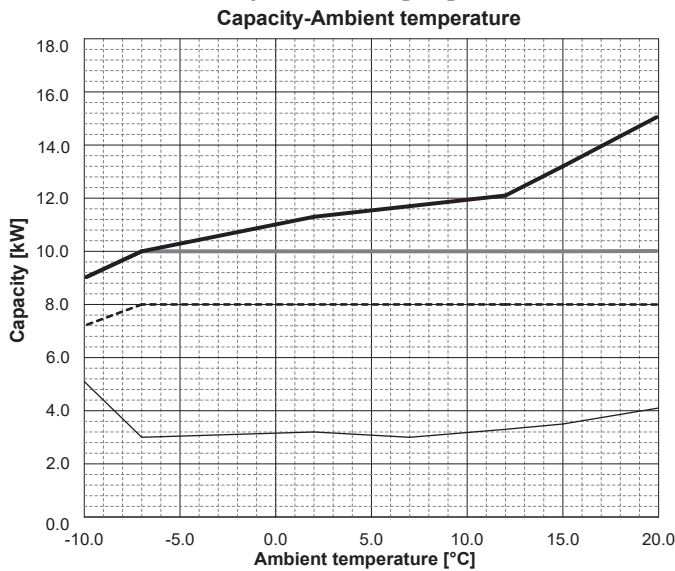
Water outlet temperature 35 [°C]



Water outlet temperature 45 [°C]



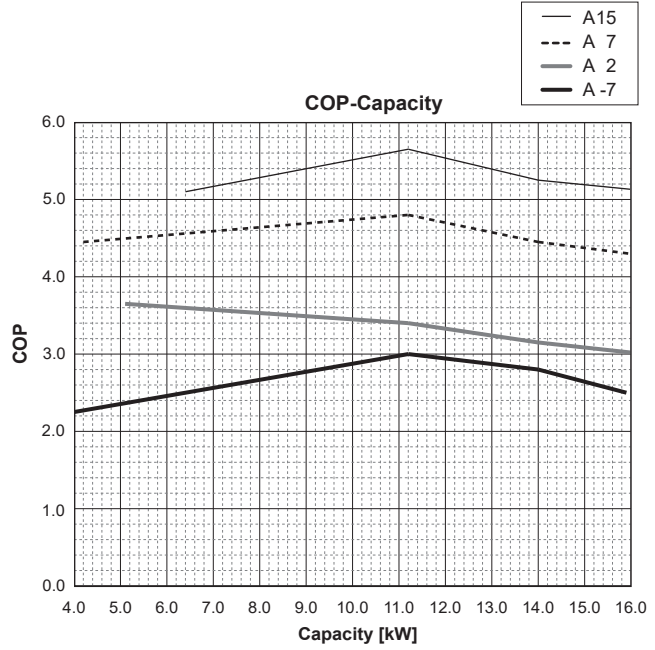
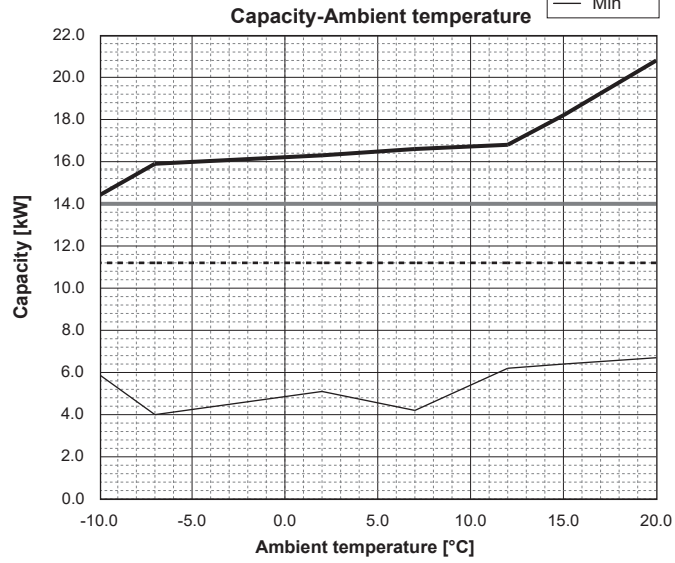
Water outlet temperature 55 [°C]



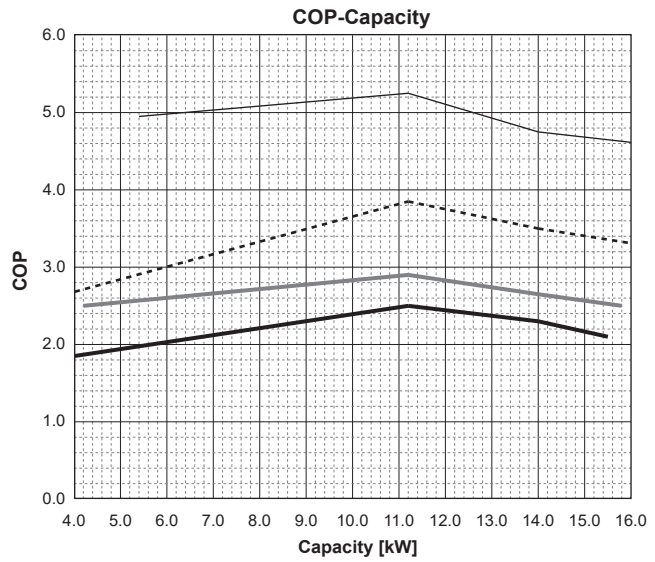
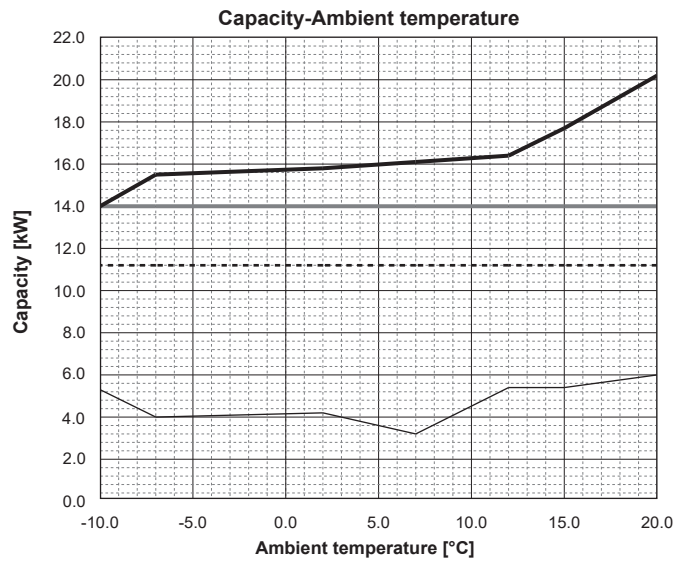
PUZ-HWM140VHA(-BS) PUZ-HWM140YHA(-BS)

Outdoor unit

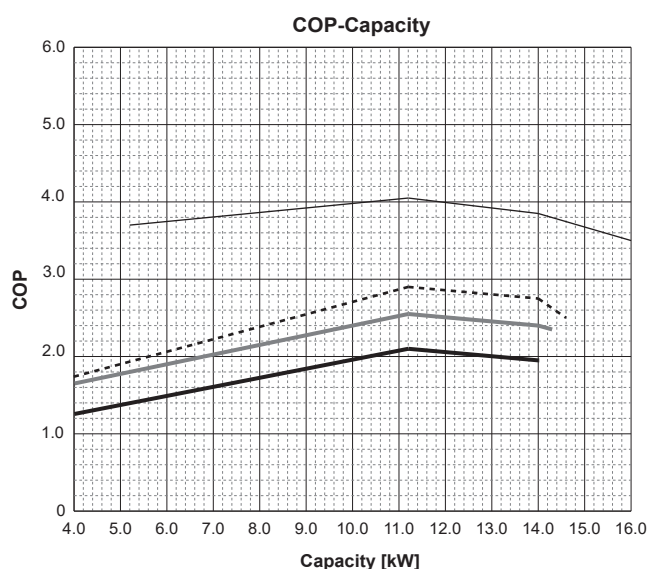
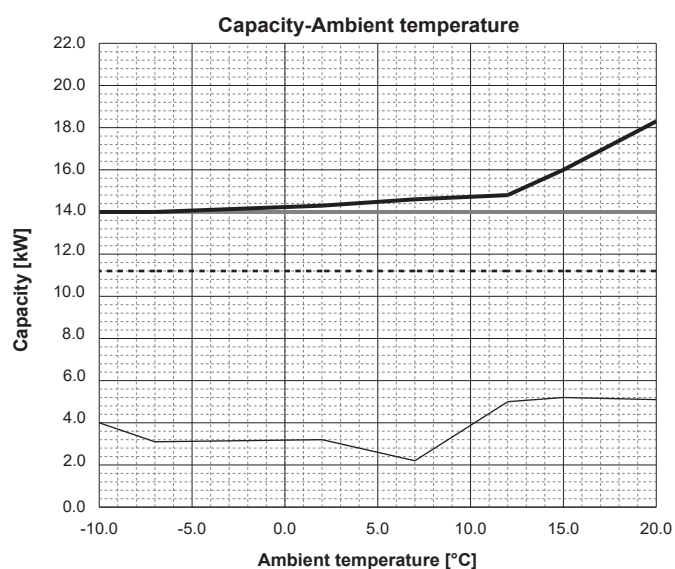
Water outlet temperature 35 [°C]



Water outlet temperature 45 [°C]

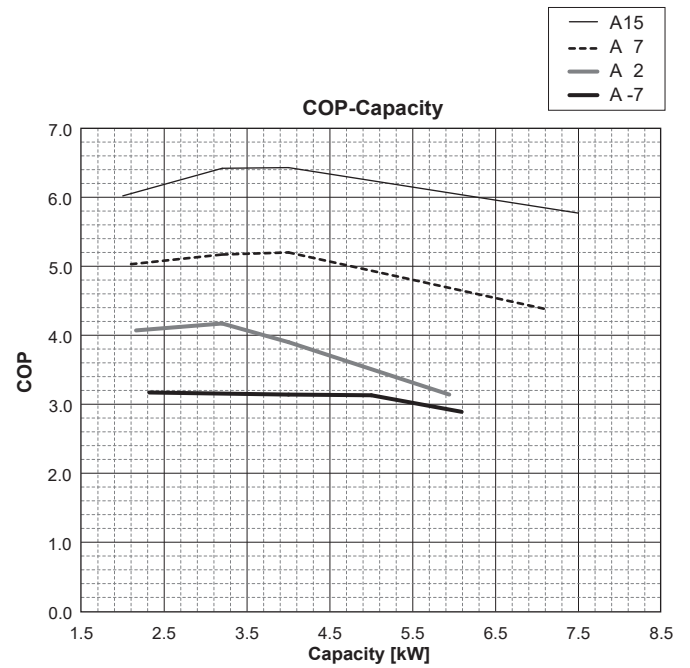
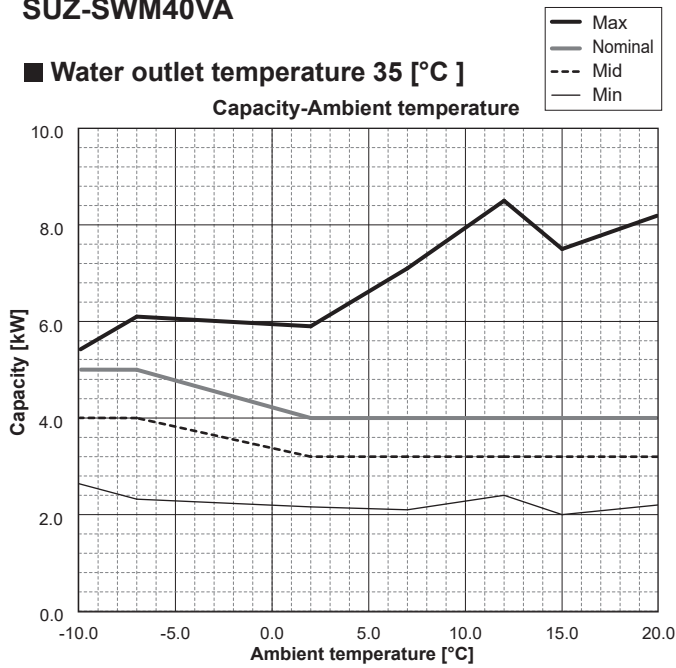


Water outlet temperature 55 [°C]

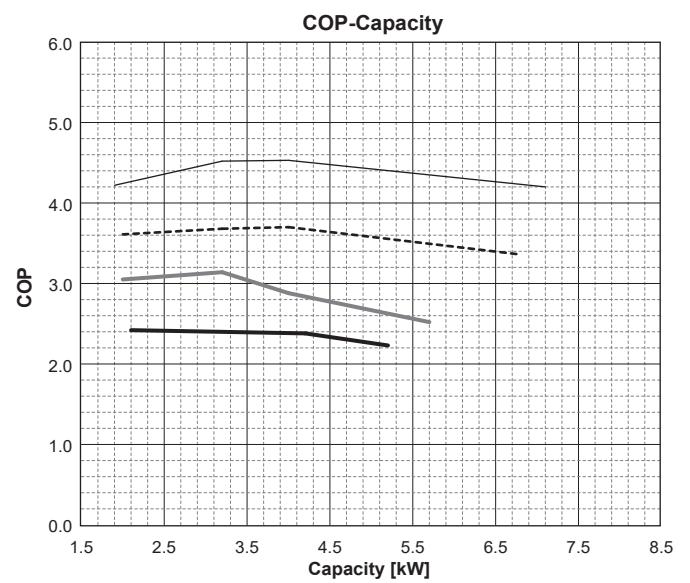
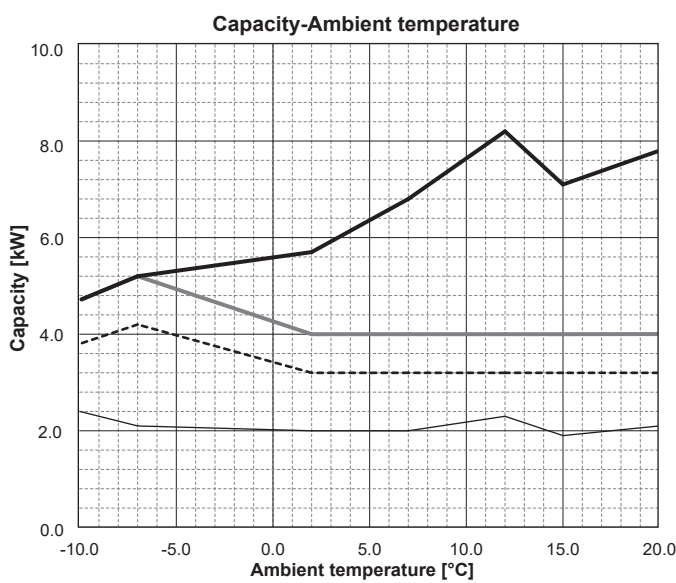


(2) Split-type units SUZ-SWM40VA

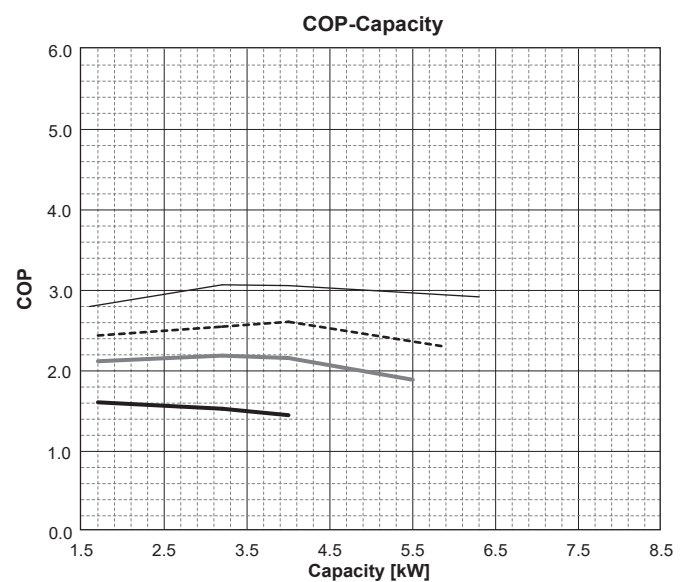
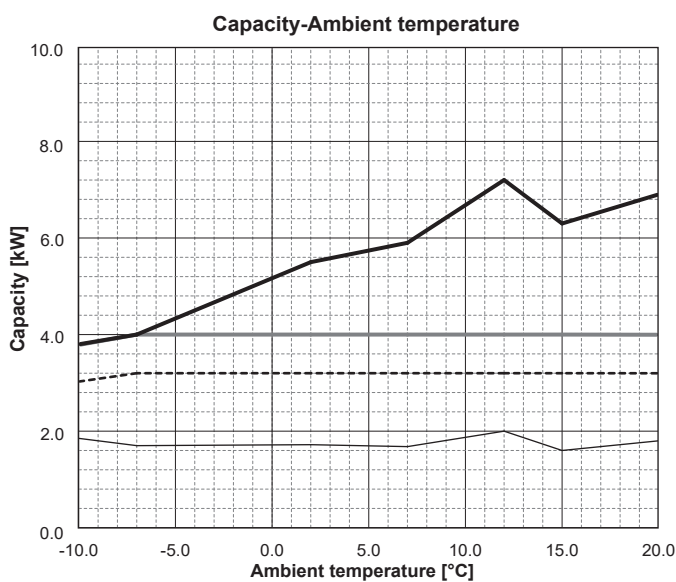
Water outlet temperature 35 [°C]



Water outlet temperature 45 [°C]

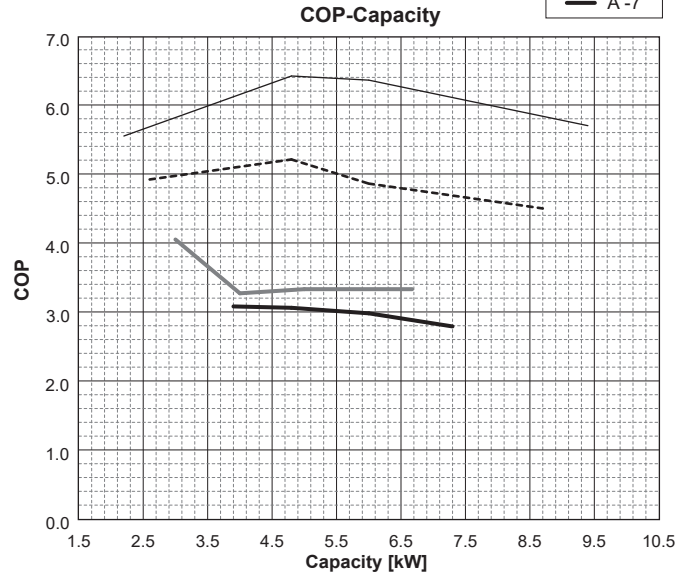
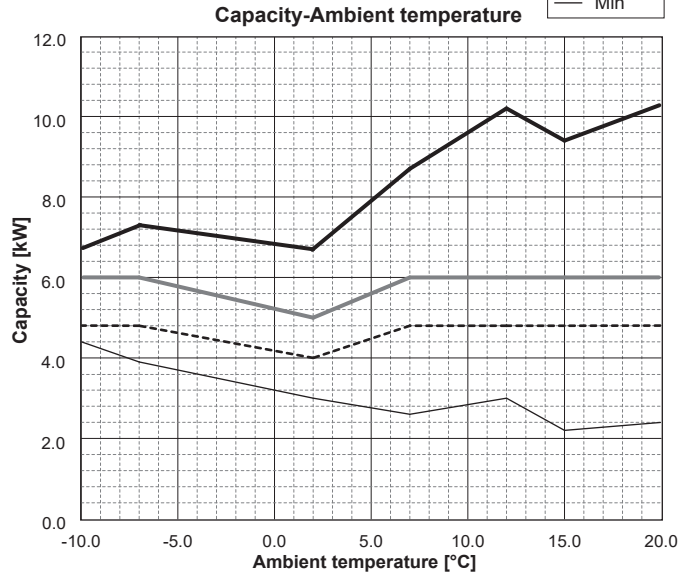


Water outlet temperature 55 [°C]

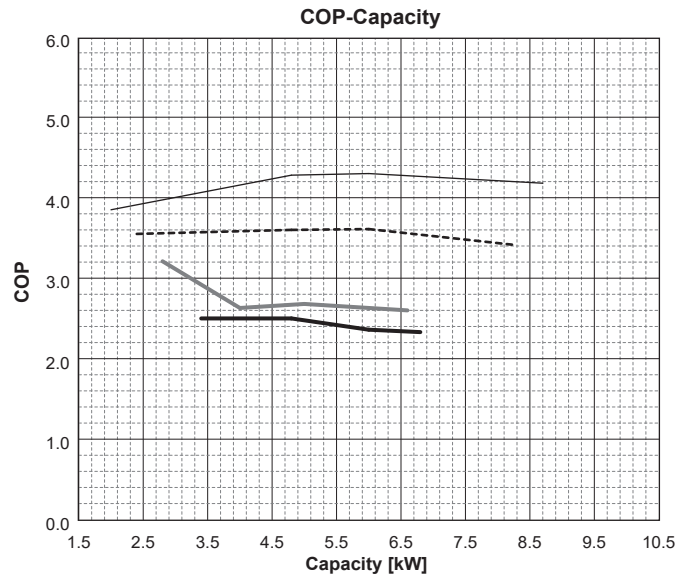
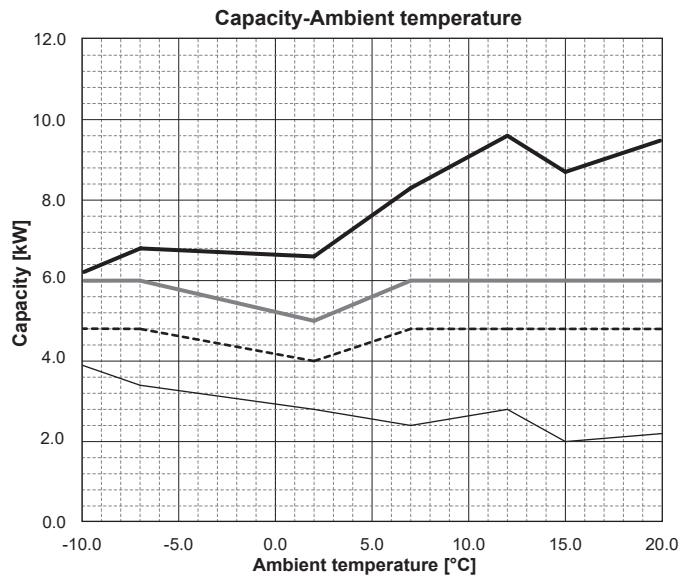


SUZ-SWM60VA

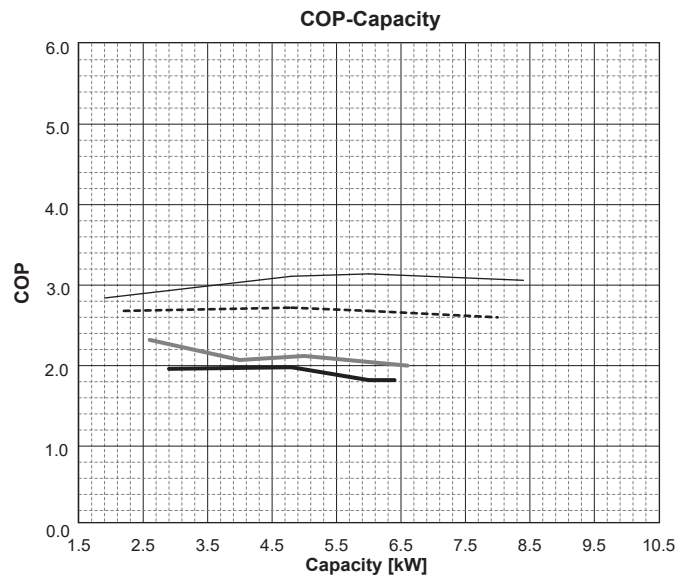
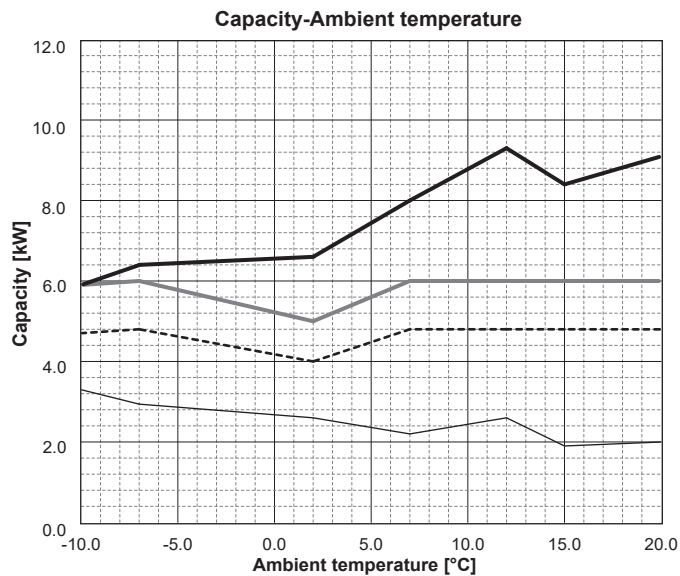
Water outlet temperature 35 [°C]



Water outlet temperature 45 [°C]

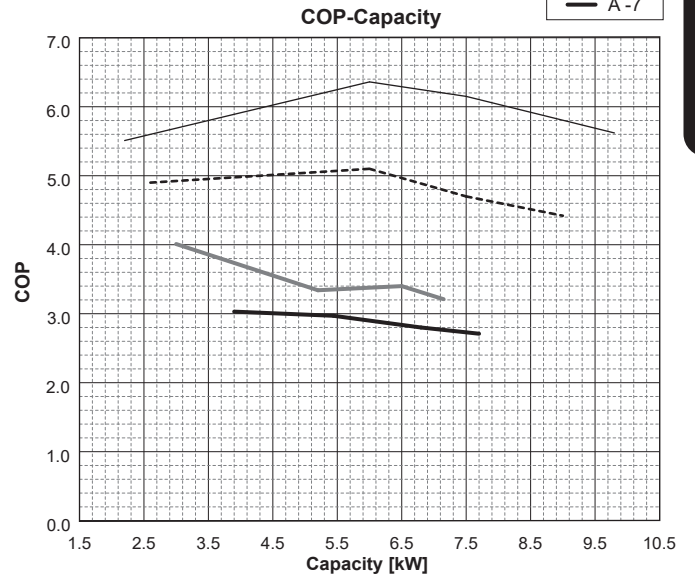
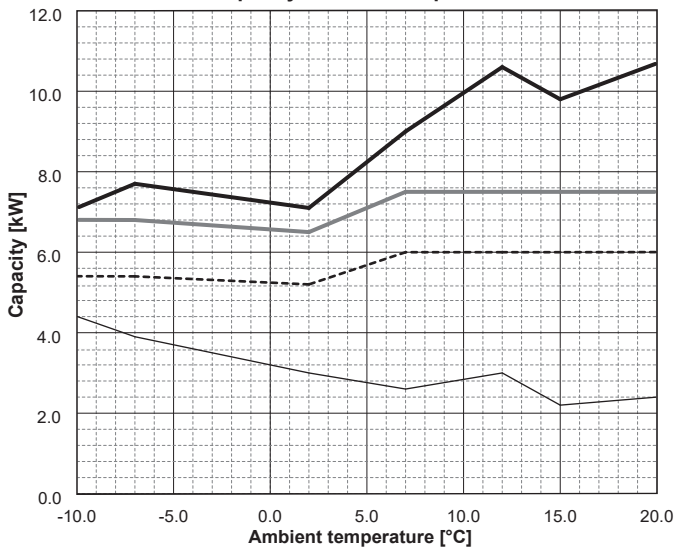


Water outlet temperature 55 [°C]

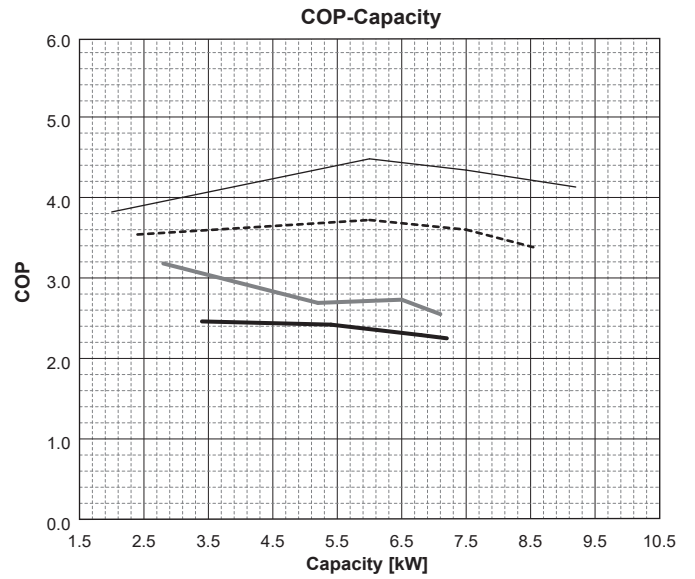
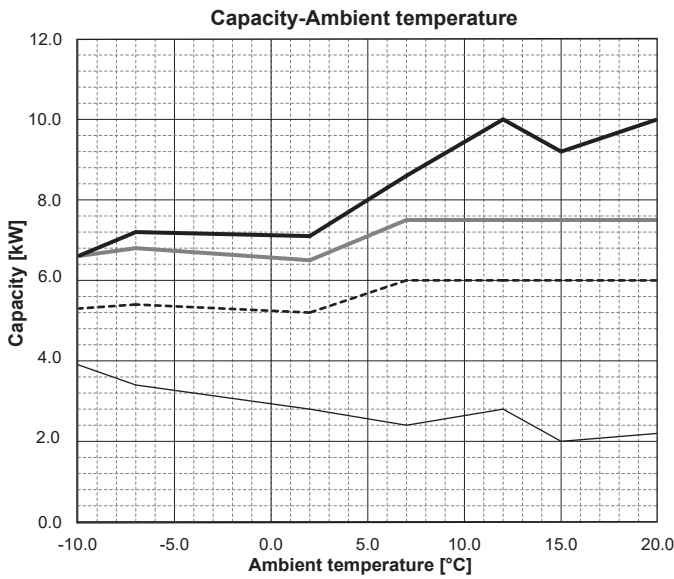


SUZ-SWM80VA

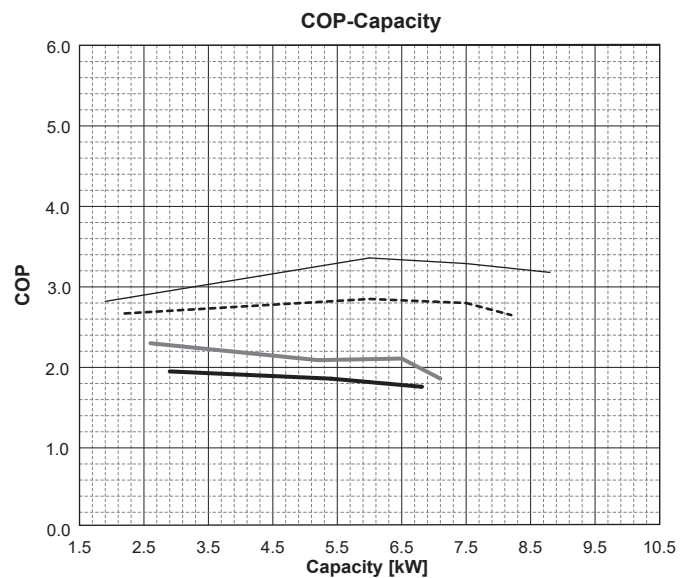
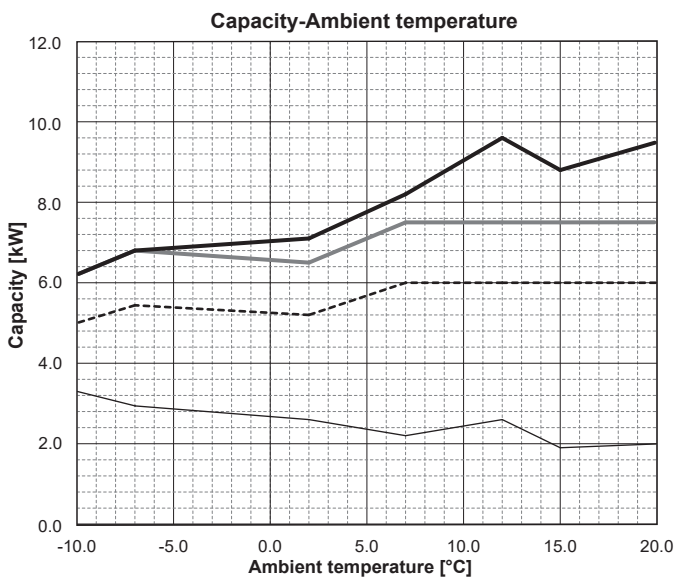
Water outlet temperature 35 [°C]



Water outlet temperature 45 [°C]



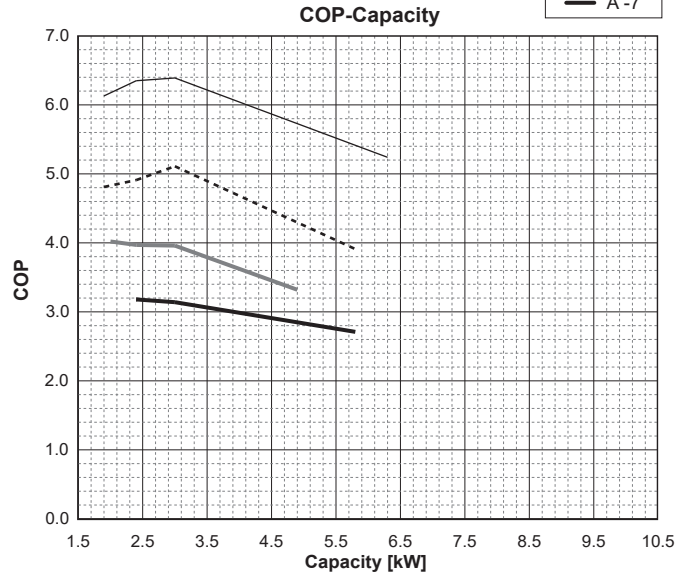
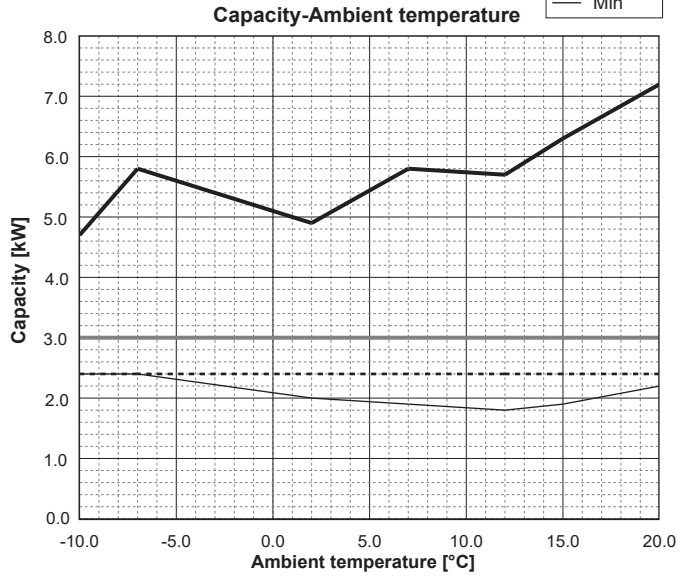
Water outlet temperature 55 [°C]



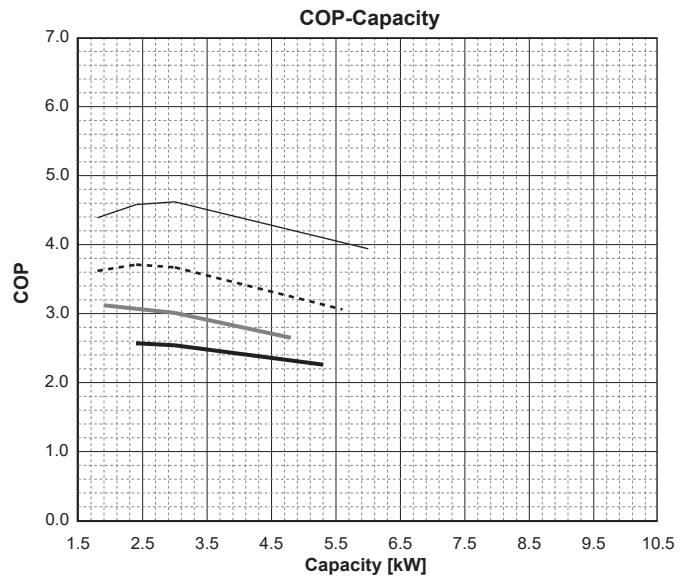
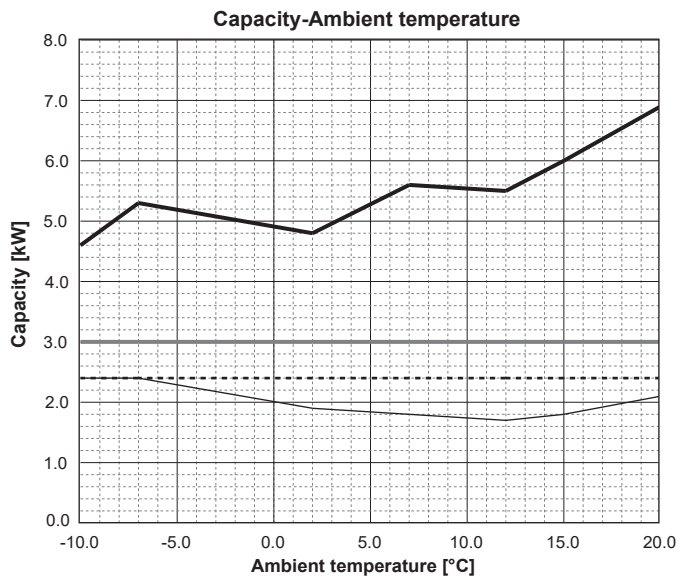
Outdoor unit

SUZ-SWM30VA

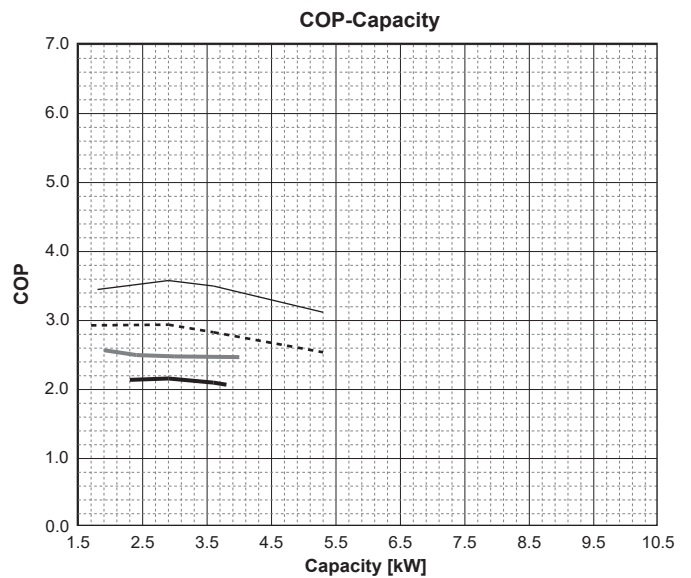
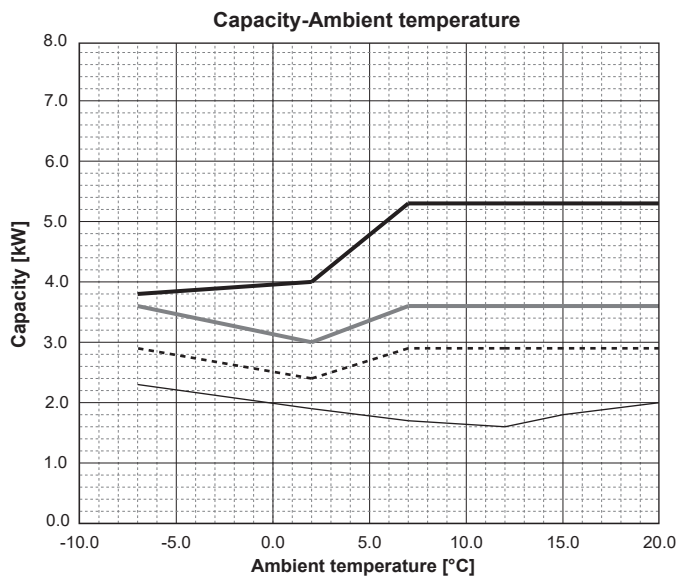
Water outlet temperature 35 [°C]



Water outlet temperature 45 [°C]

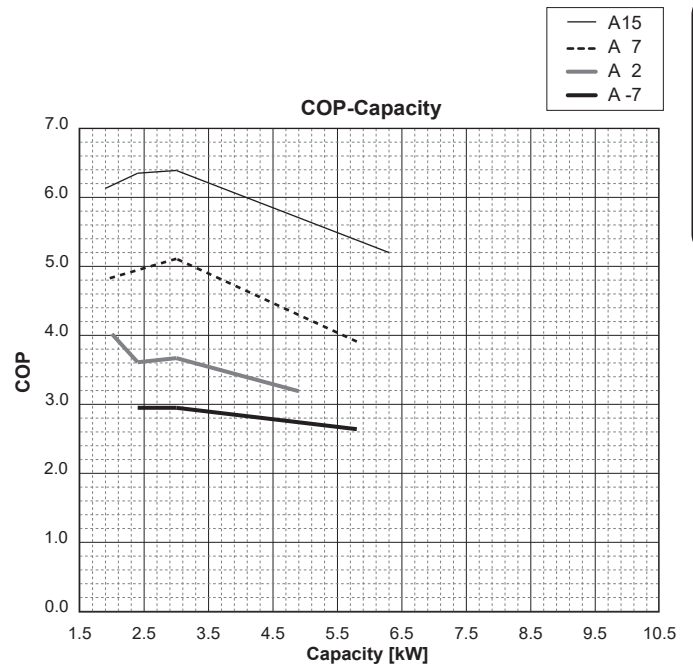
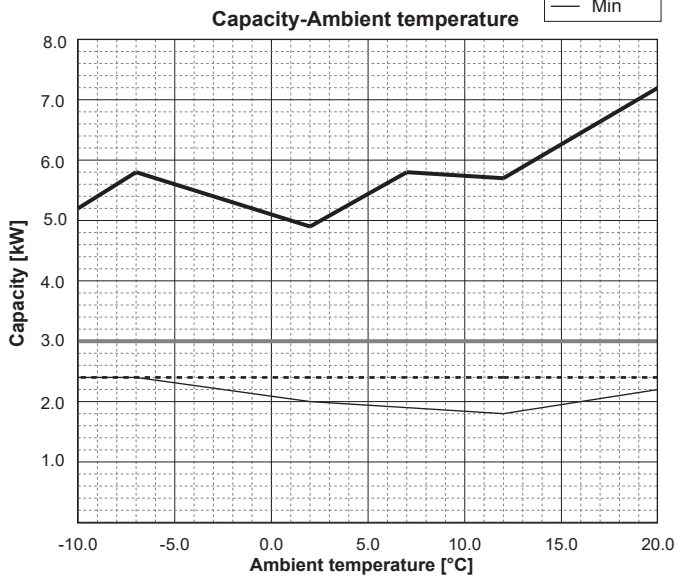


Water outlet temperature 55 [°C]

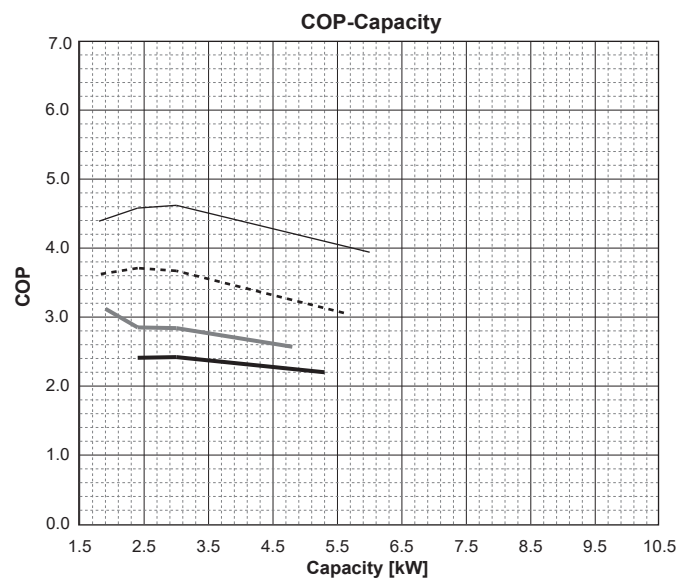
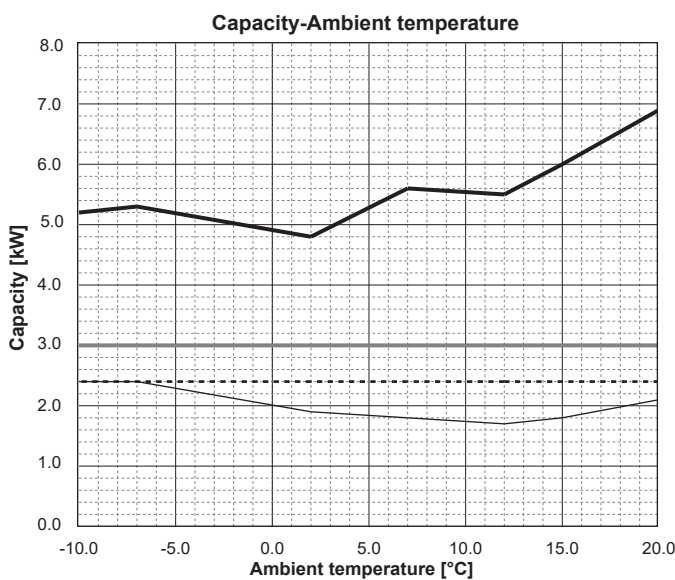


SUZ-SHWM30VAH

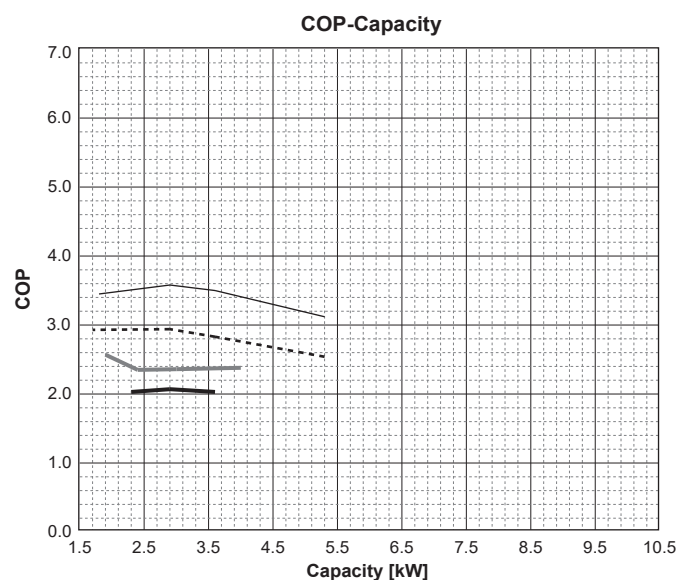
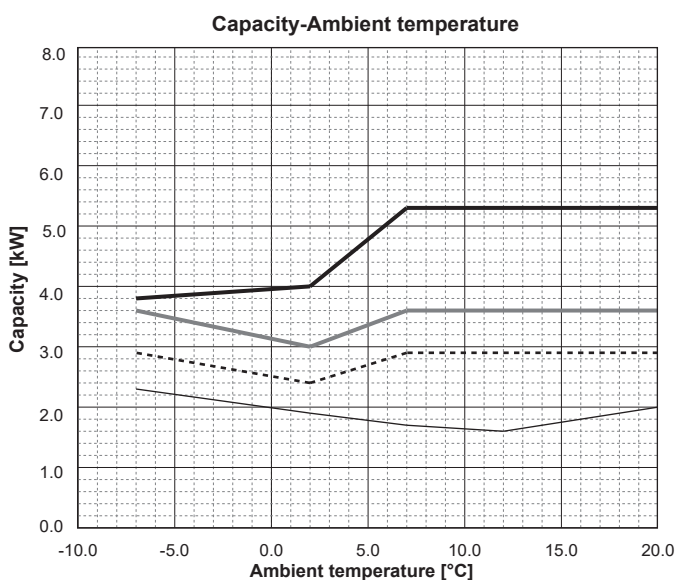
■ **Water outlet temperature 35 [°C]**



■ **Water outlet temperature 45 [°C]**



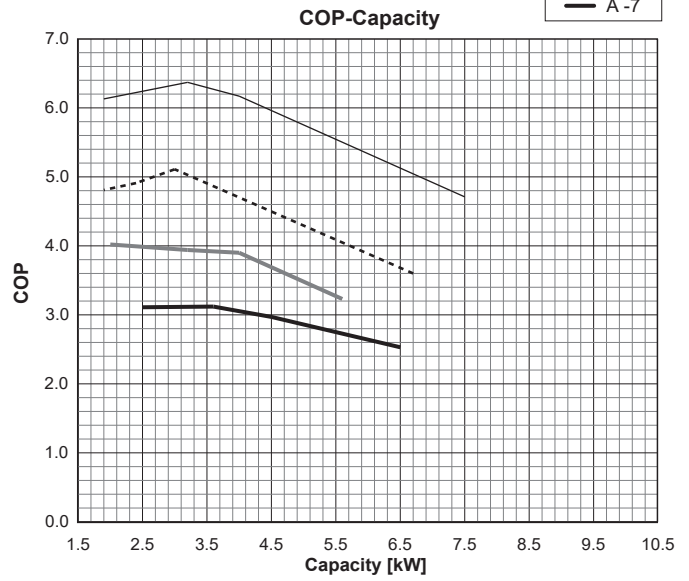
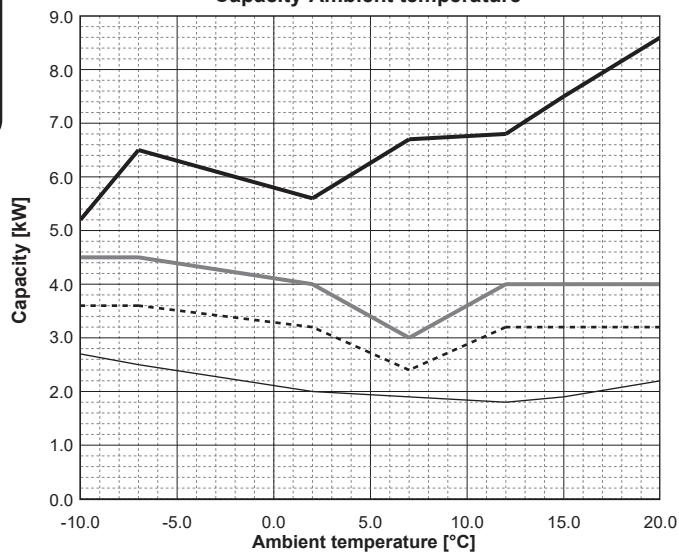
■ **Water outlet temperature 55 [°C]**



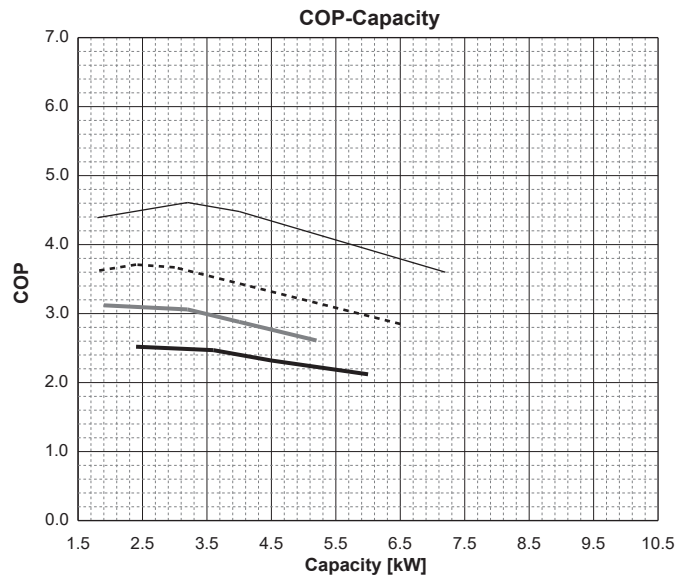
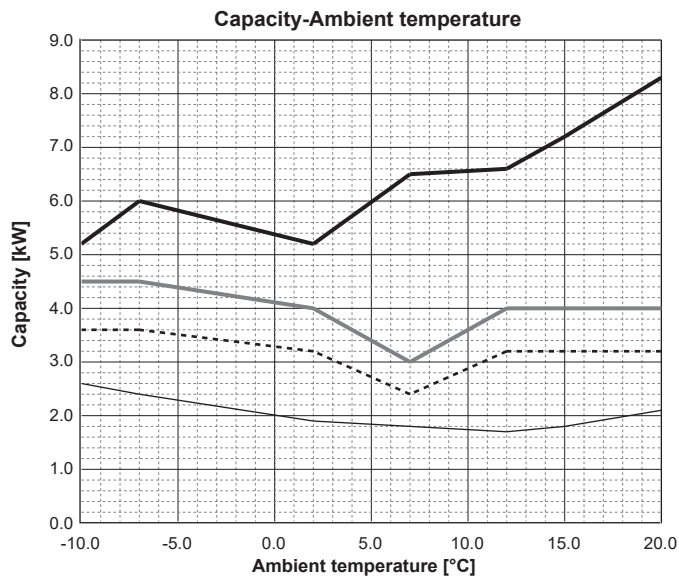
Outdoor unit

SUZ-SWM40VA2(-SC)

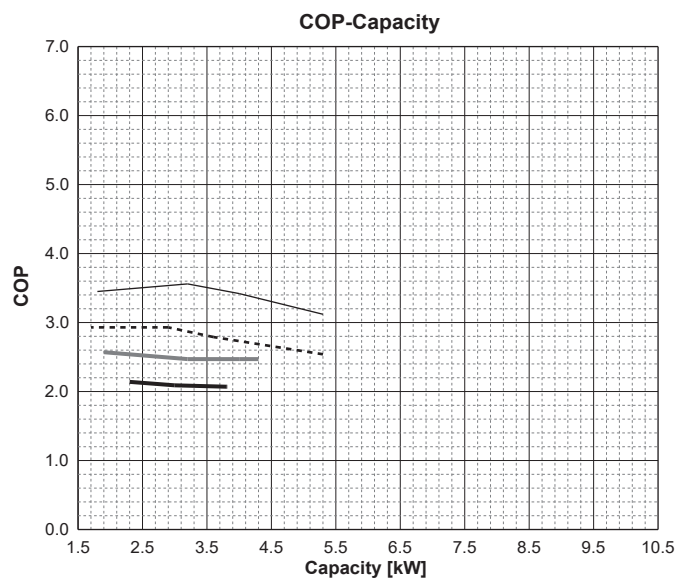
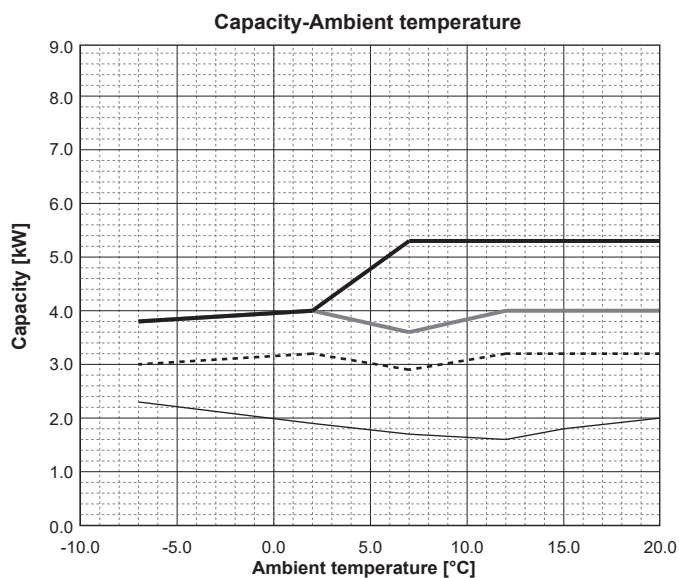
■ Water outlet temperature 35 [°C]



■ Water outlet temperature 45 [°C]

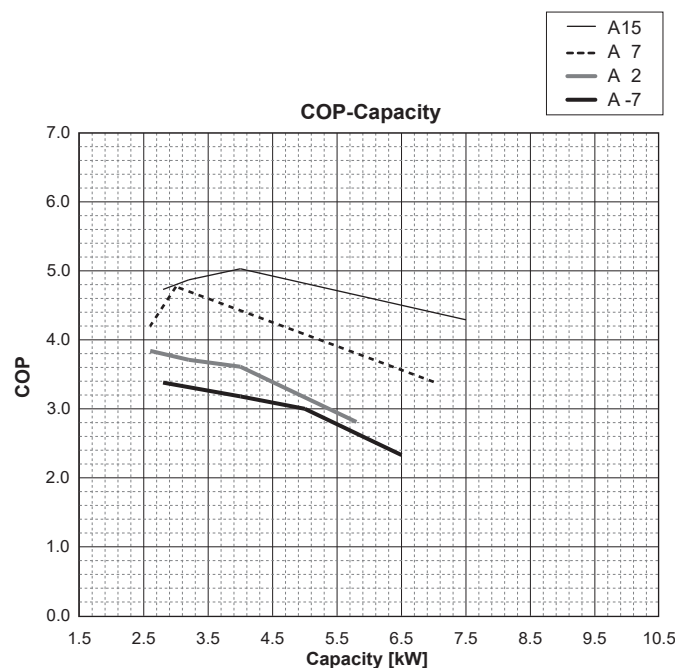
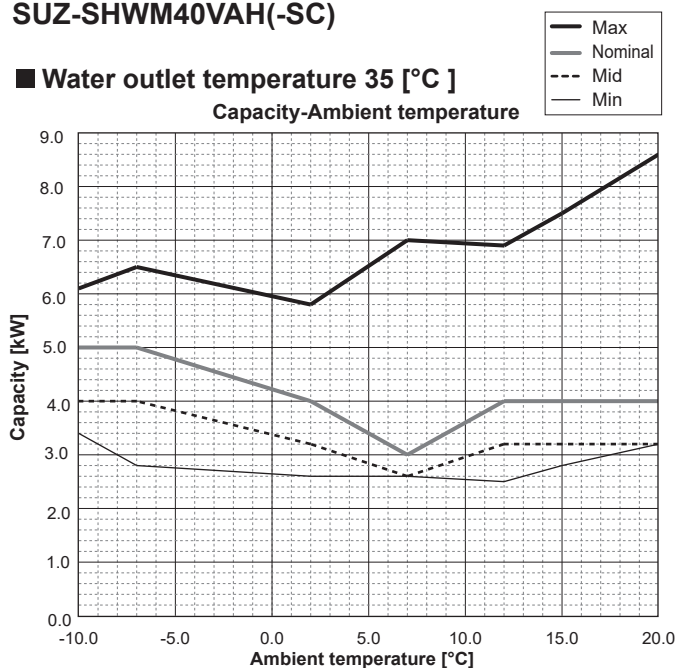


■ Water outlet temperature 55 [°C]

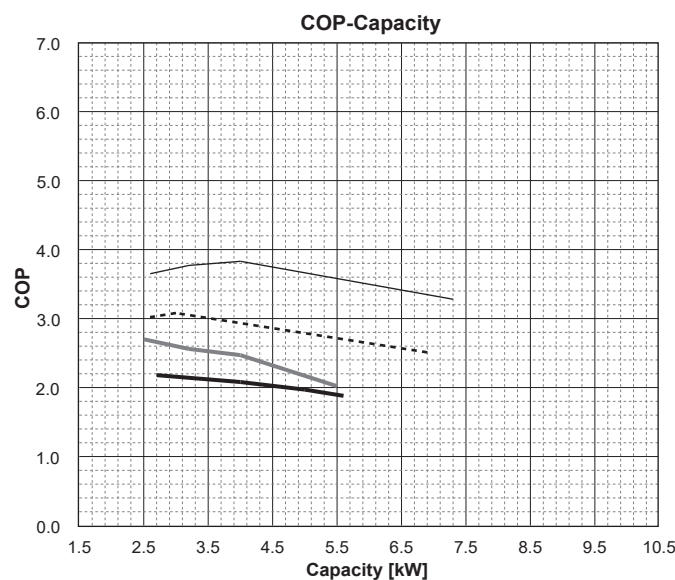
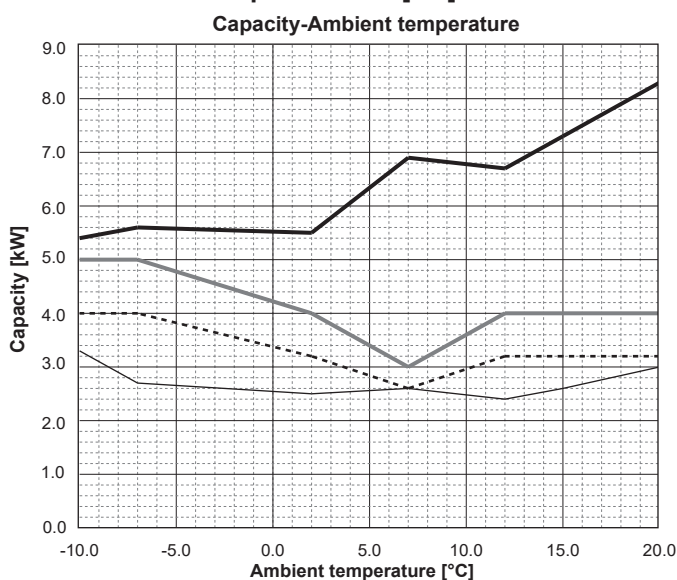


SUZ-SHWM40VAH(-SC)

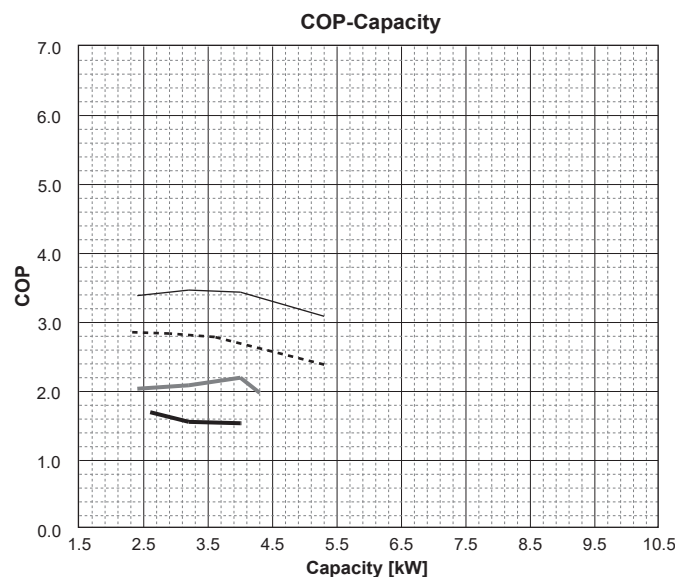
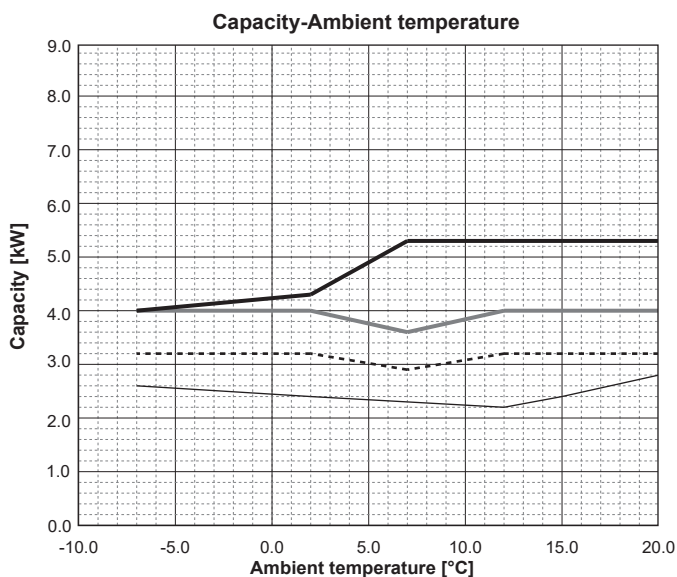
Water outlet temperature 35 [°C]



Water outlet temperature 45 [°C]



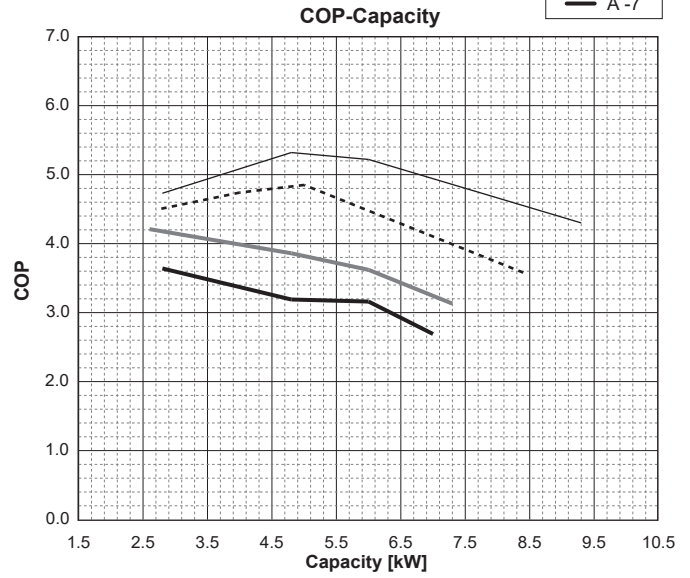
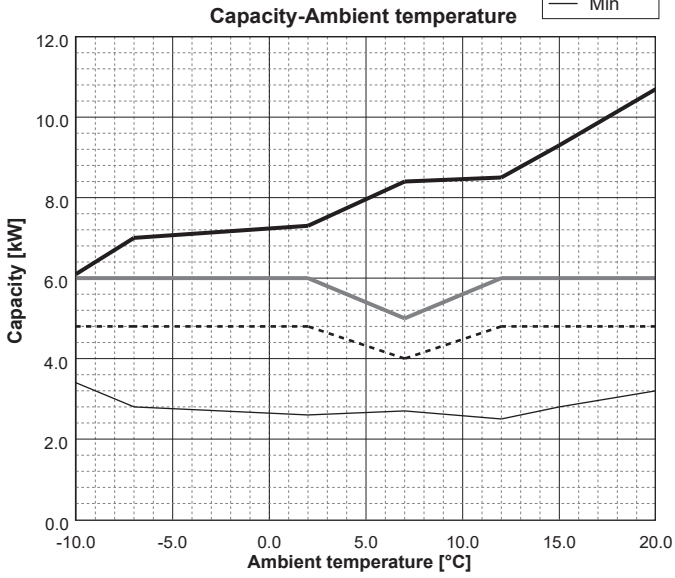
Water outlet temperature 55 [°C]



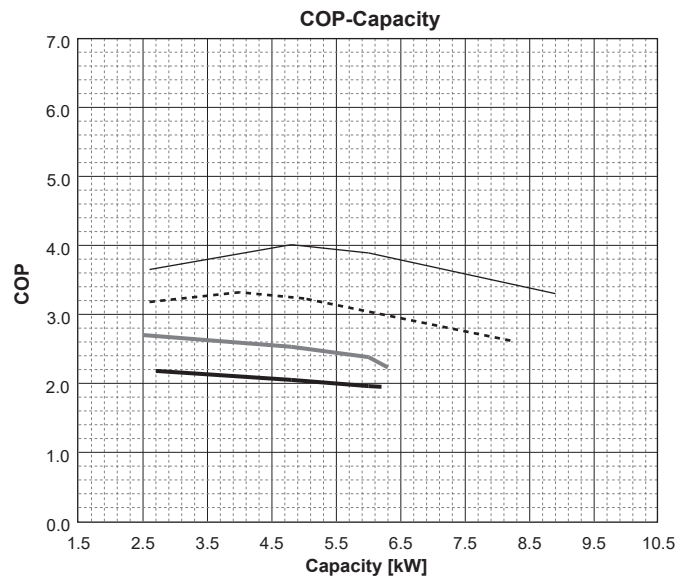
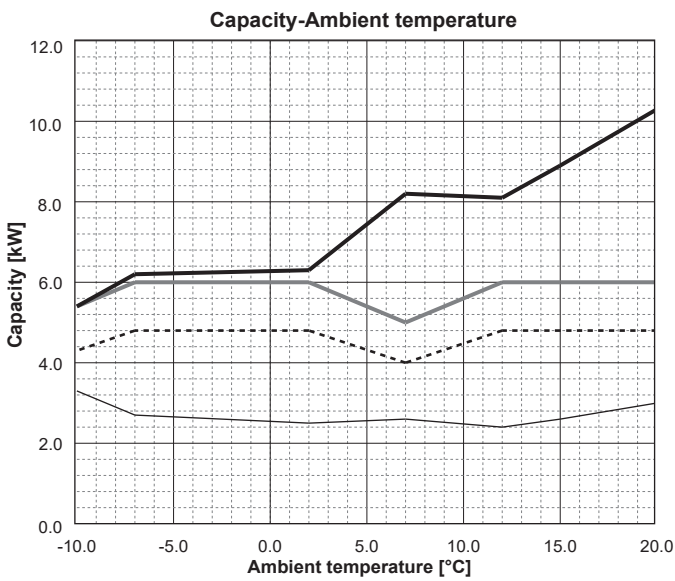
Outdoor unit

SUZ-SWM60VA2(-SC)

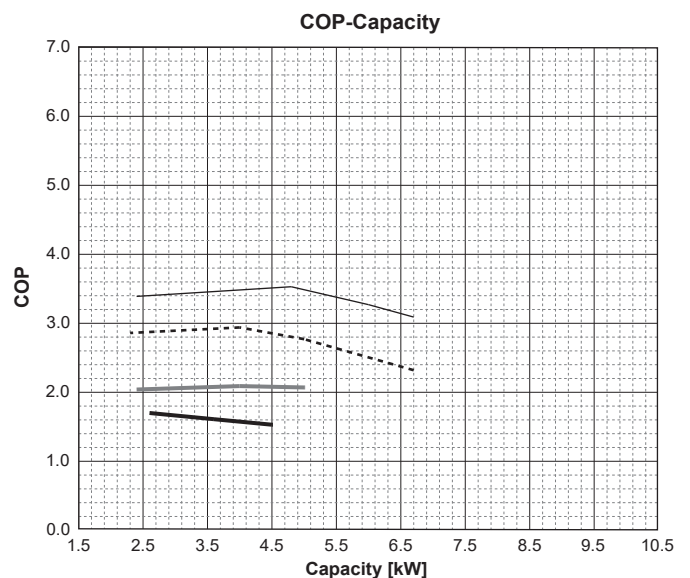
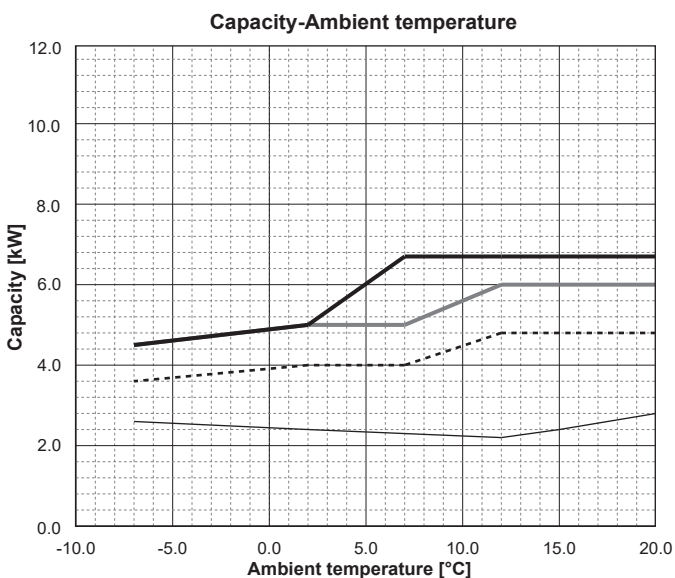
■ Water outlet temperature 35 [°C]



■ Water outlet temperature 45 [°C]

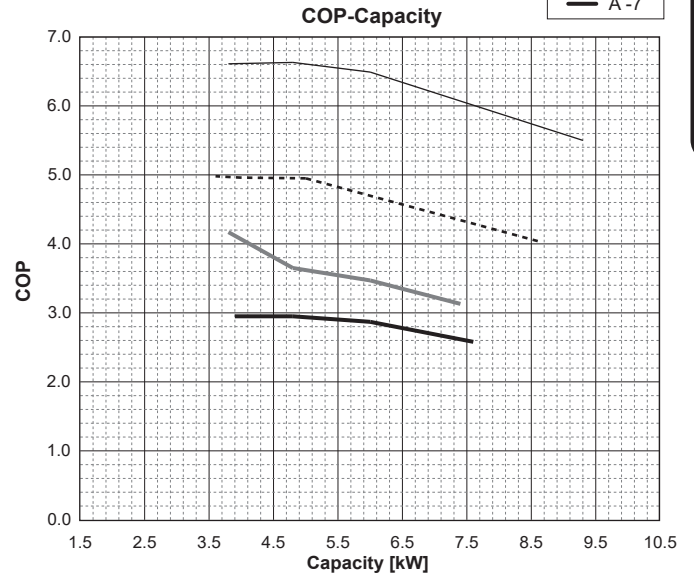
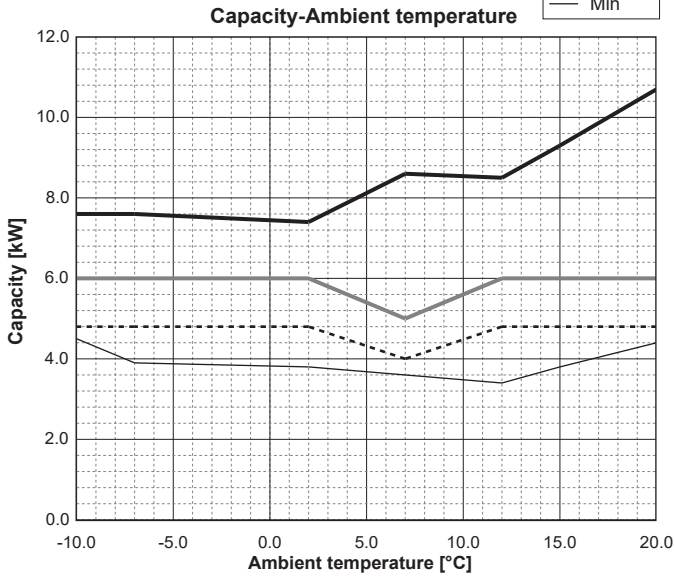


■ Water outlet temperature 55 [°C]

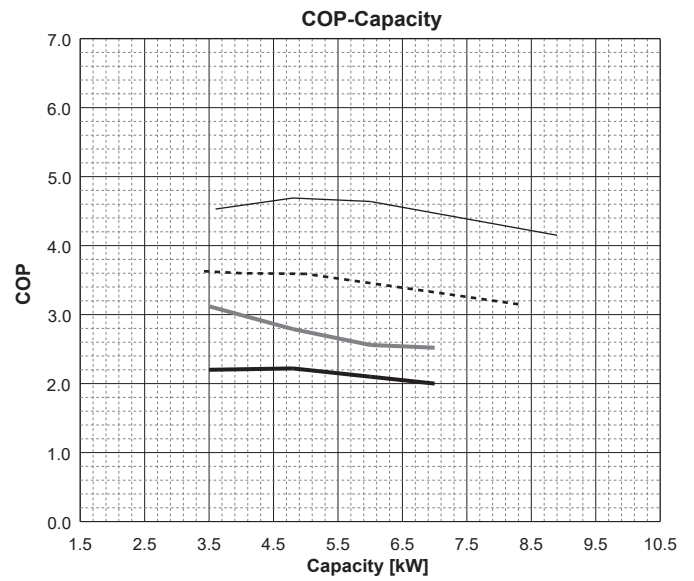
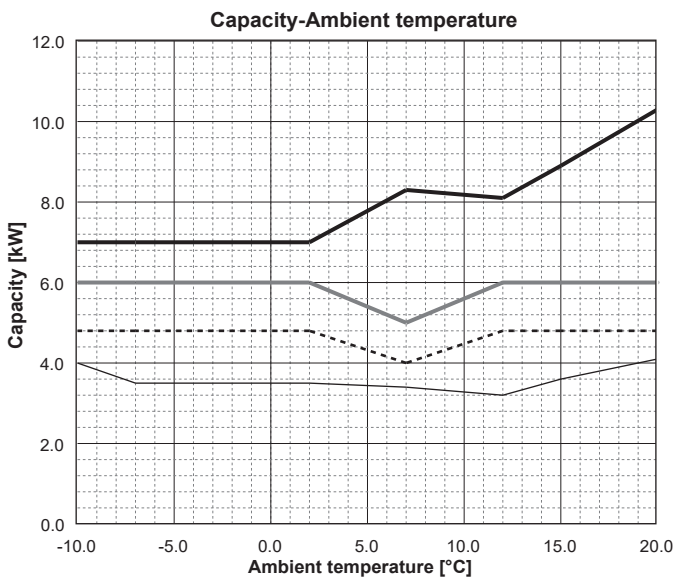


SUZ-SHWM60VAH(-SC)

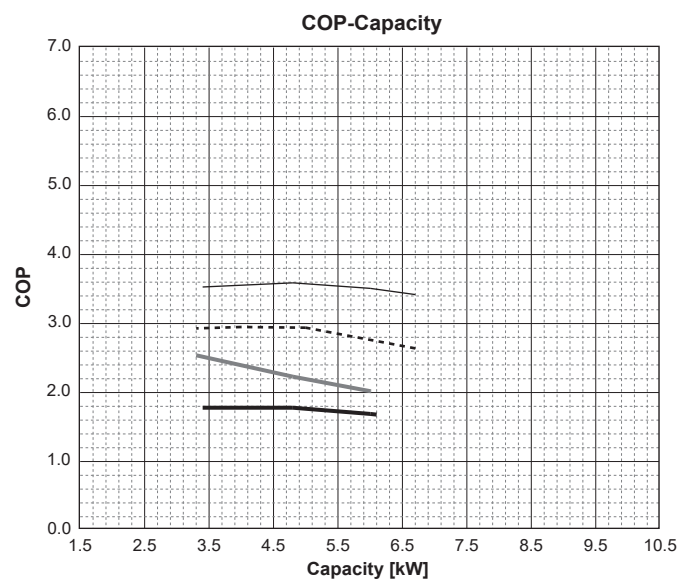
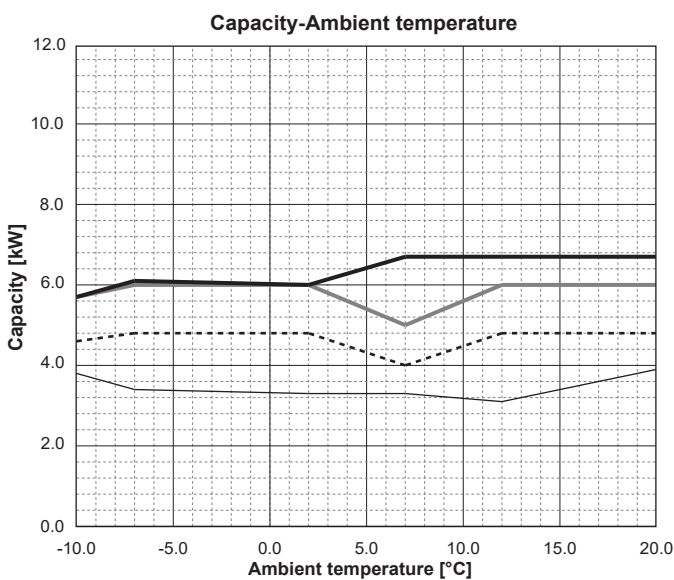
Water outlet temperature 35 [°C]



Water outlet temperature 45 [°C]

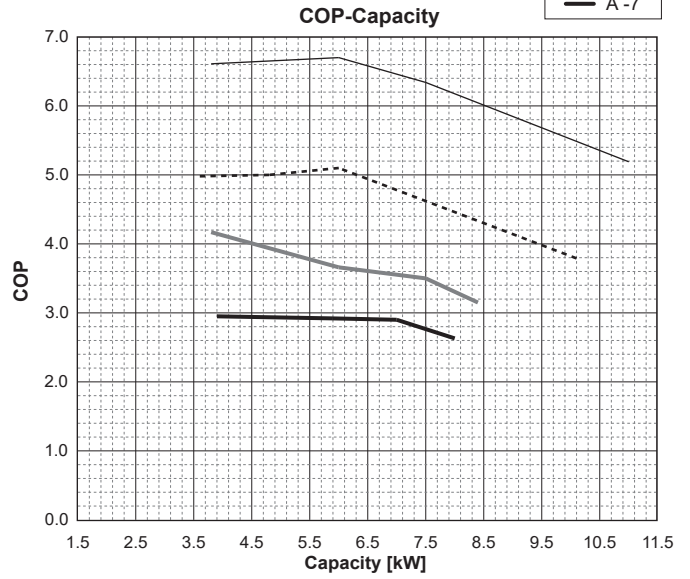
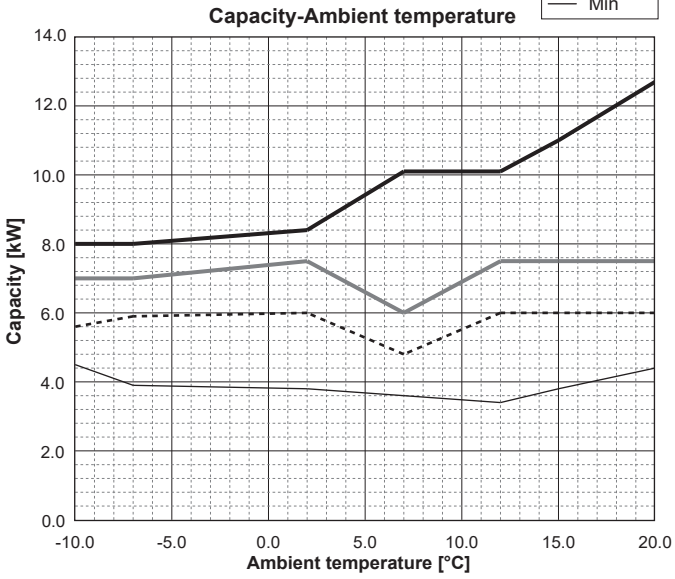


Water outlet temperature 55 [°C]

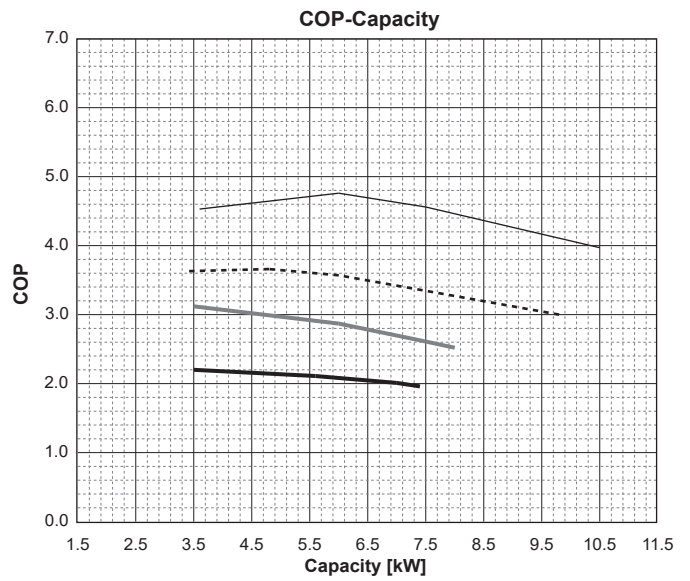
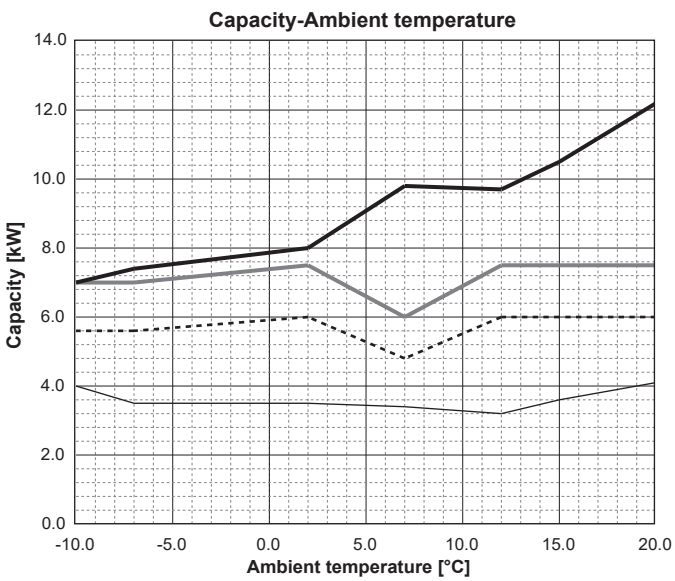


SUZ-SWM80VA2

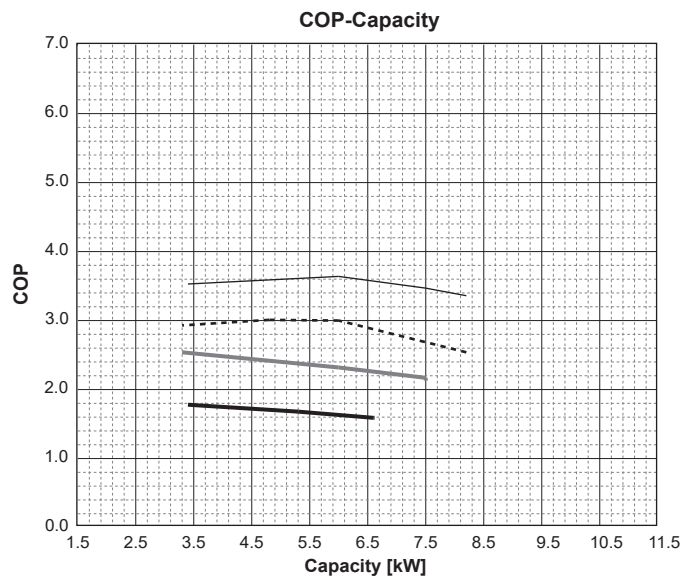
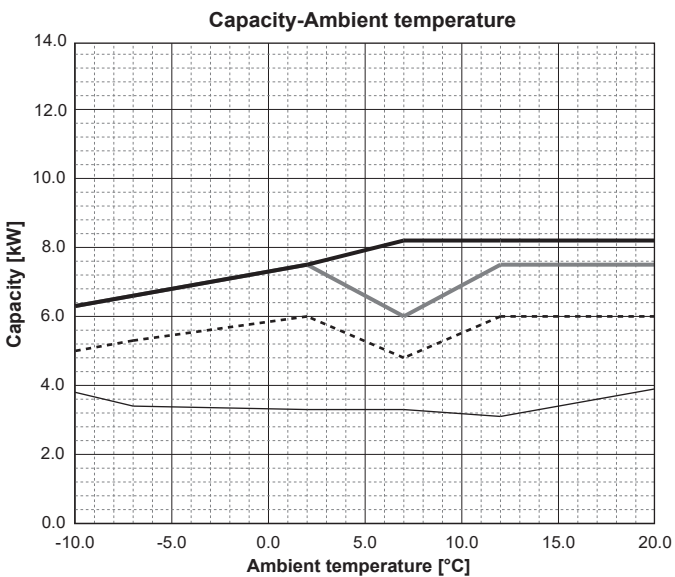
Water outlet temperature 35 [°C]



Water outlet temperature 45 [°C]



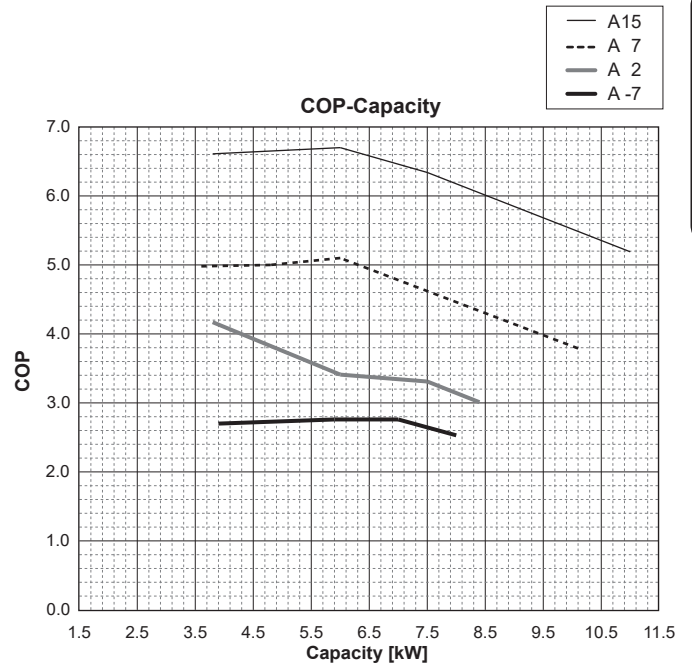
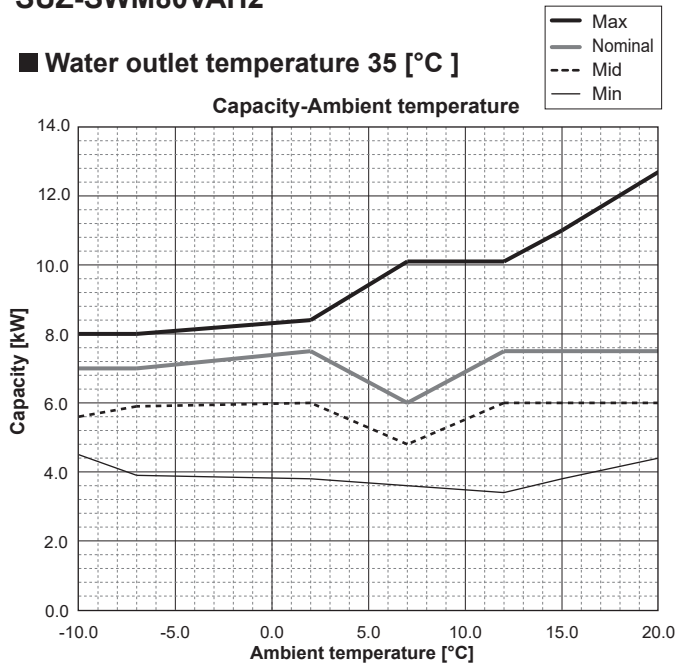
Water outlet temperature 55 [°C]



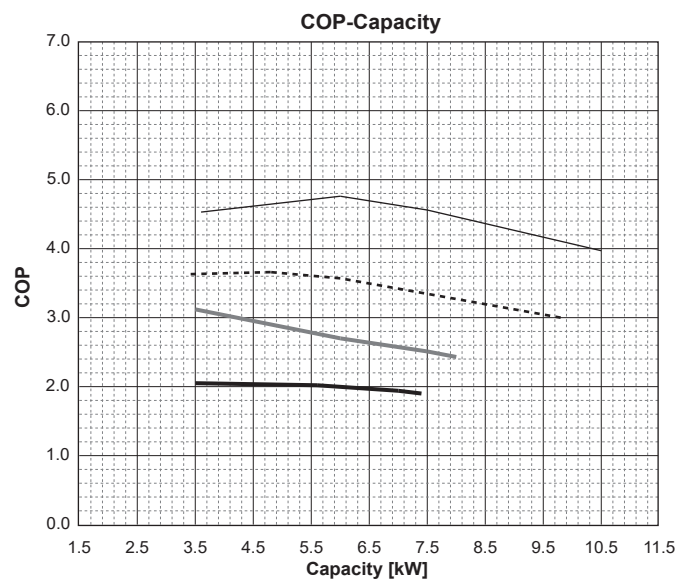
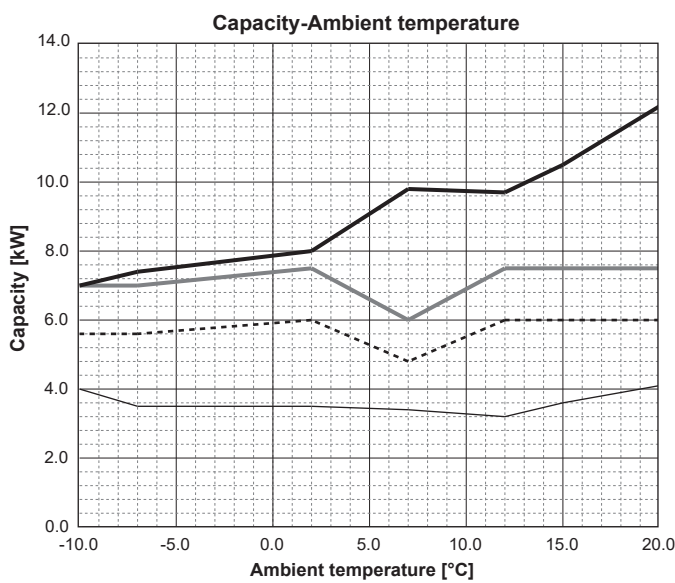
Outdoor unit

SUZ-SWM80VAH2

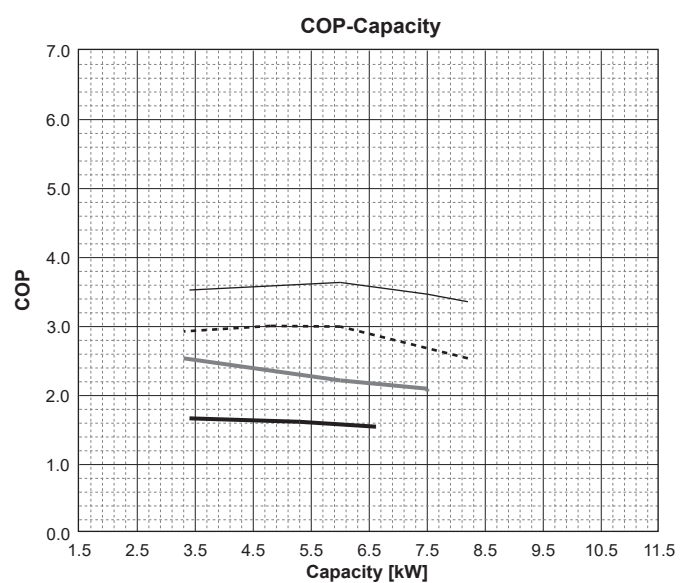
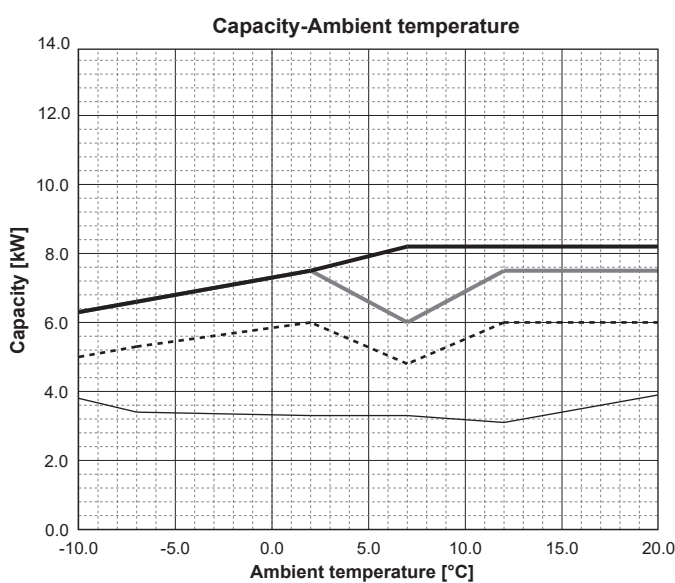
Water outlet temperature 35 [°C]



Water outlet temperature 45 [°C]



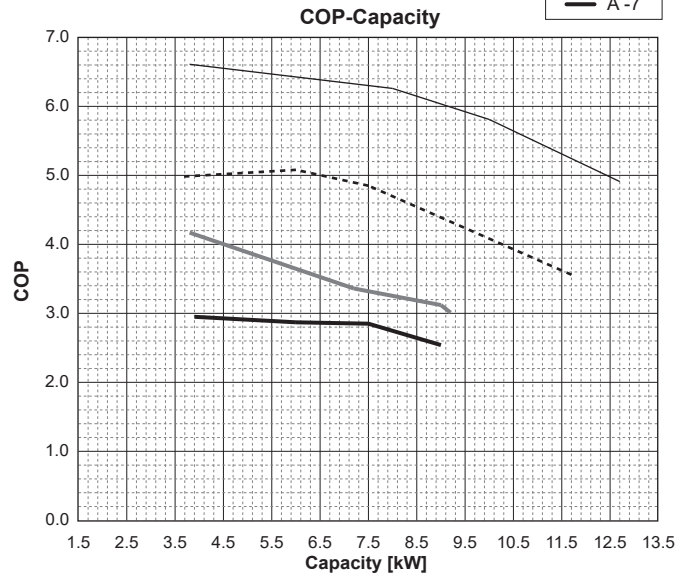
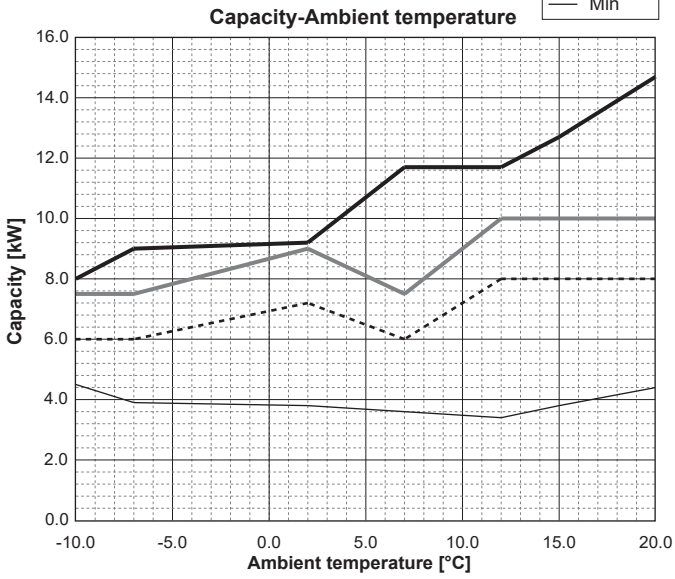
Water outlet temperature 55 [°C]



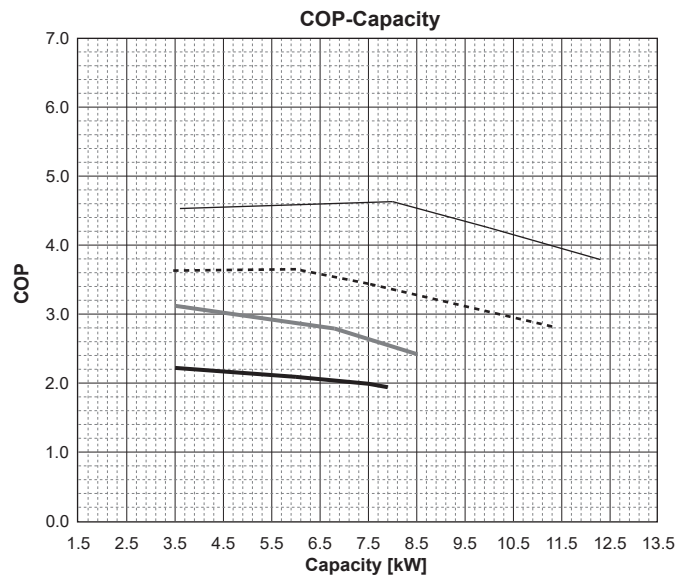
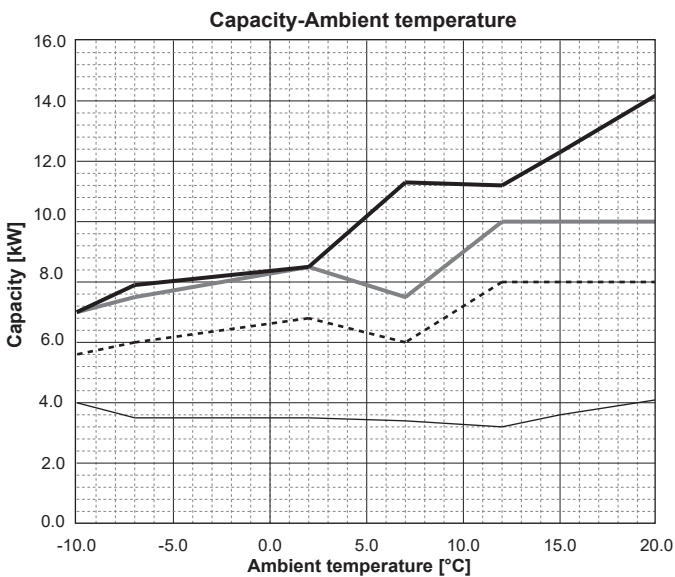
Outdoor unit

SUZ-SWM100VA

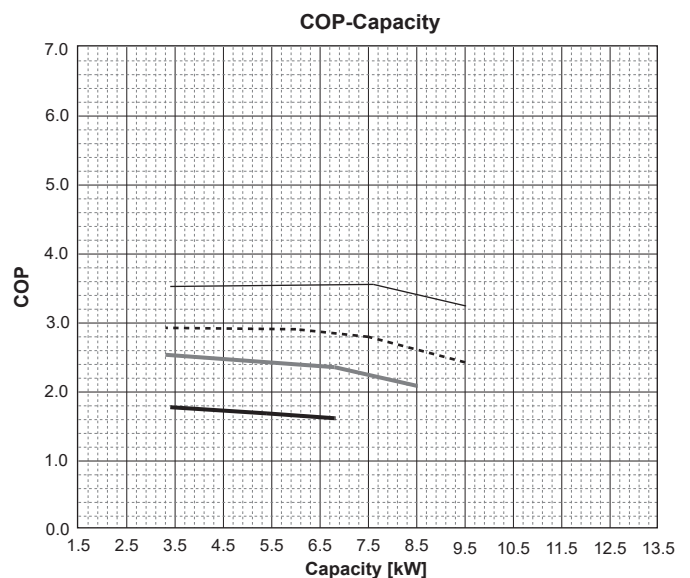
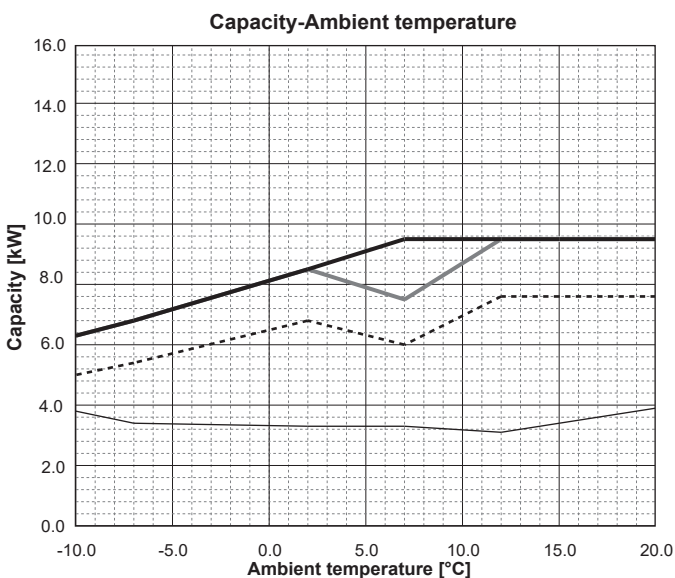
■ Water outlet temperature 35 [°C]



■ Water outlet temperature 45 [°C]

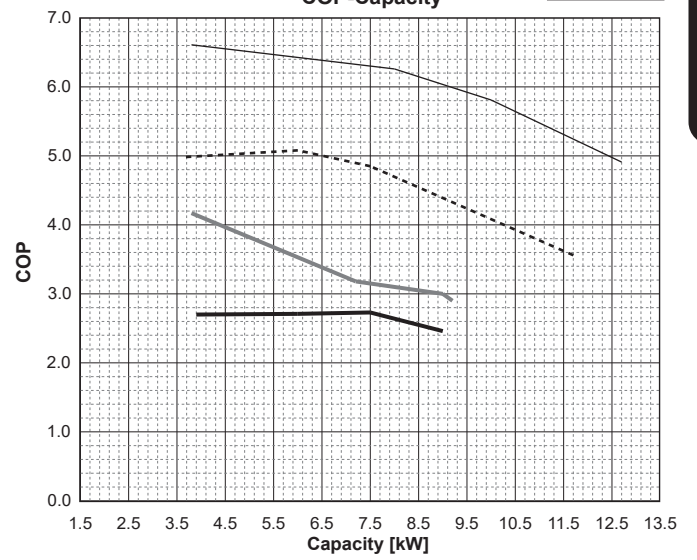
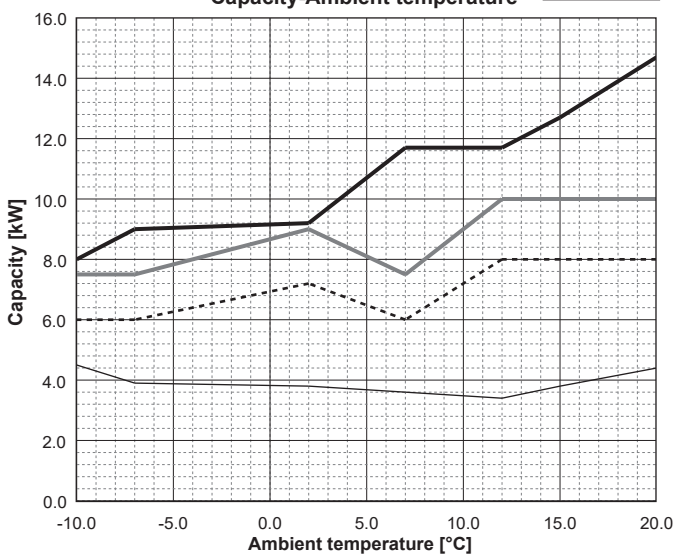


■ Water outlet temperature 55 [°C]

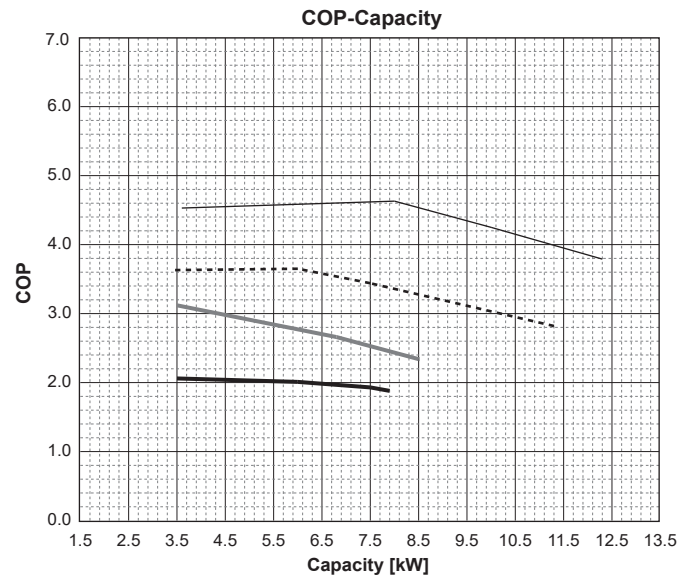
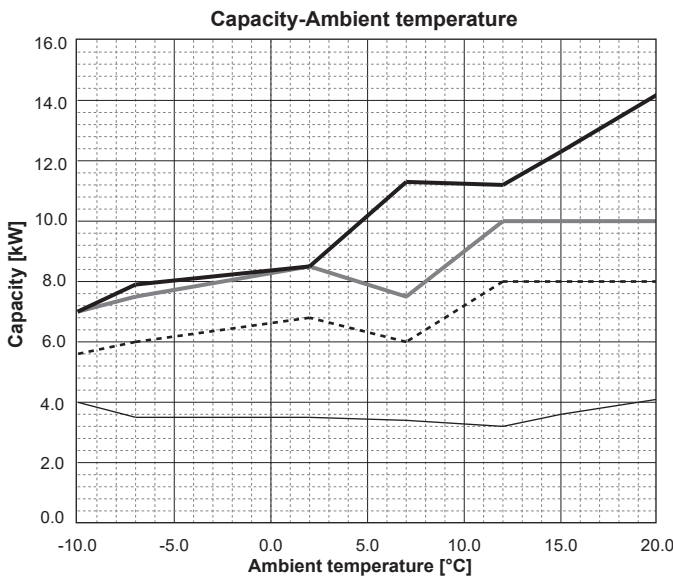


SUZ-SWM100VAH

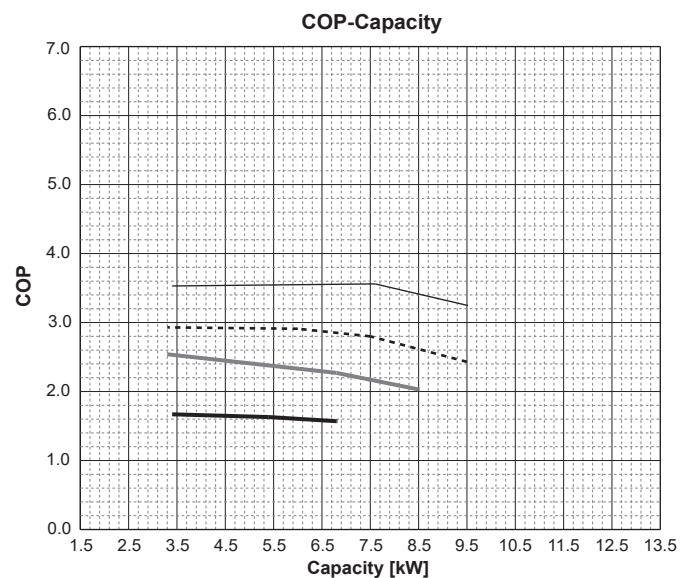
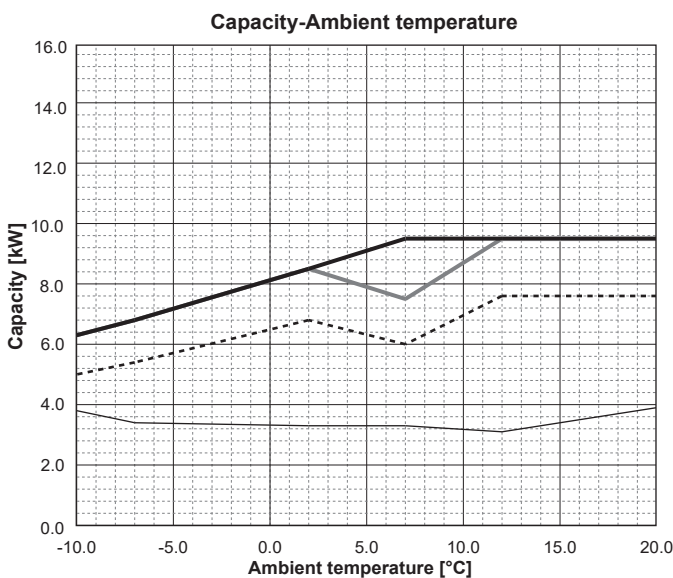
Water outlet temperature 35 [°C]



Water outlet temperature 45 [°C]



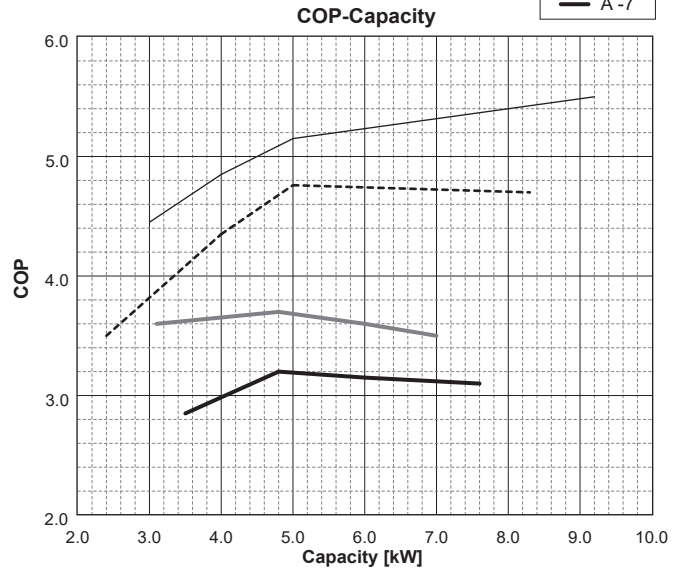
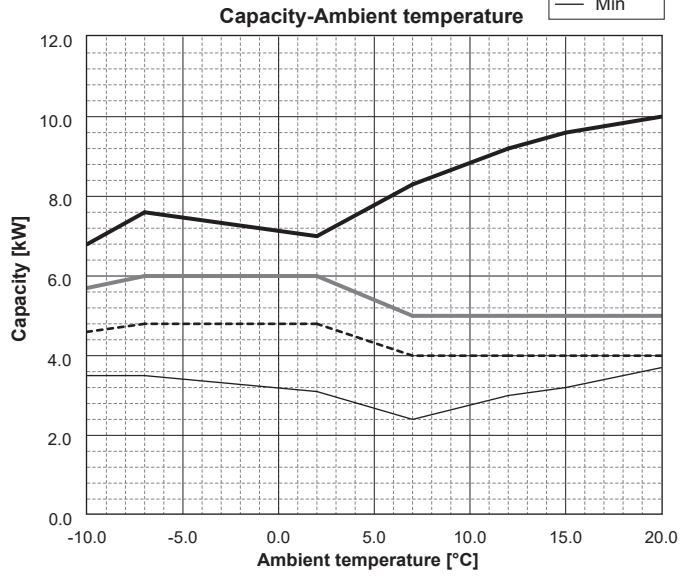
Water outlet temperature 55 [°C]



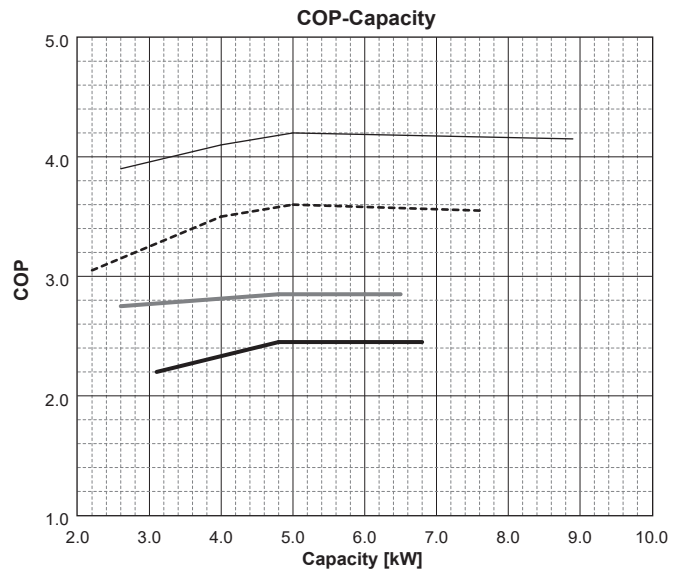
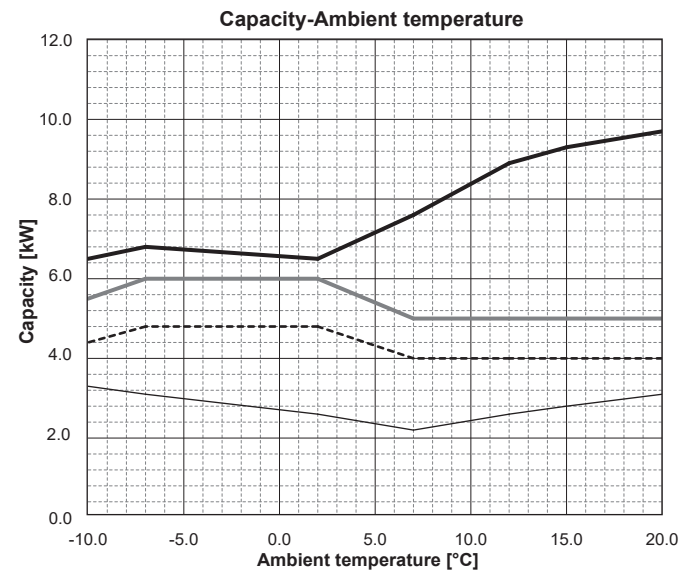
PUD-SWM60VAA(-BS)

Outdoor unit

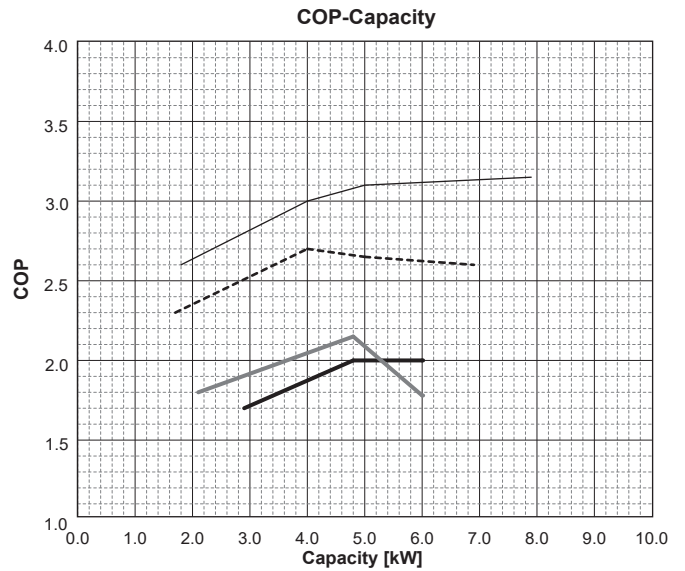
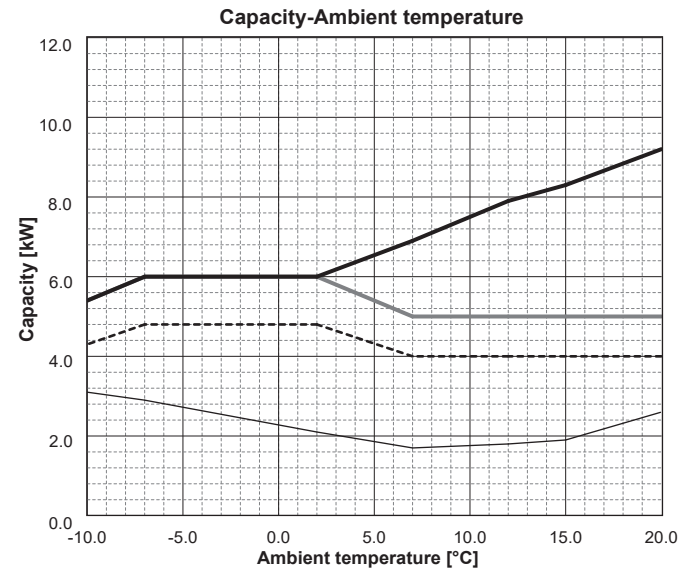
Water outlet temperature 35 [°C]



Water outlet temperature 45 [°C]



Water outlet temperature 55 [°C]

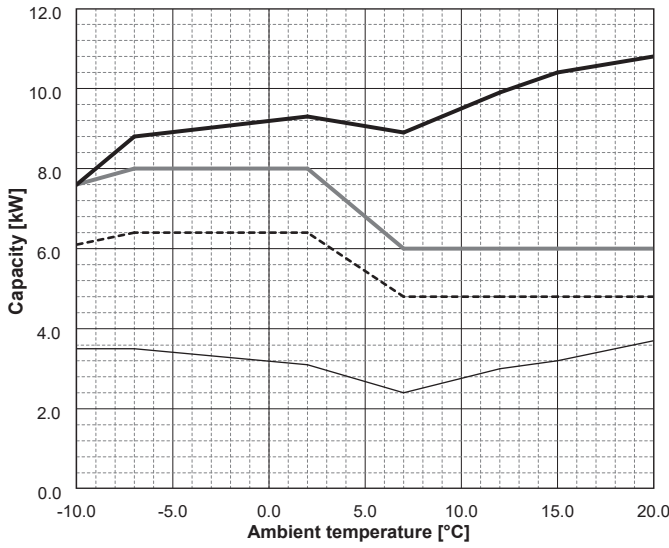


PUD-SWM80VAA(-BS)

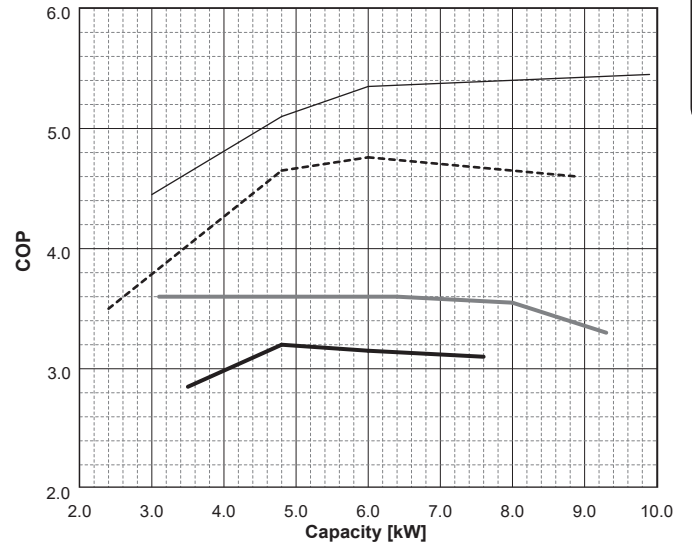
PUD-SWM80YAA(-BS)

Water outlet temperature 35 [°C]

Capacity-Ambient temperature

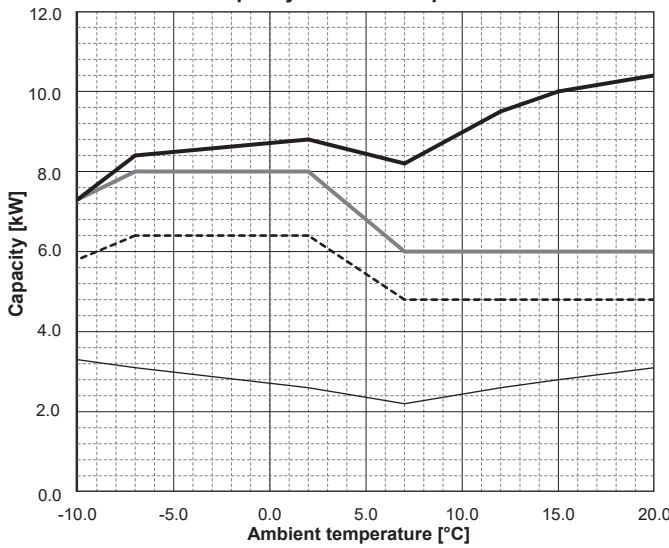


COP-Capacity

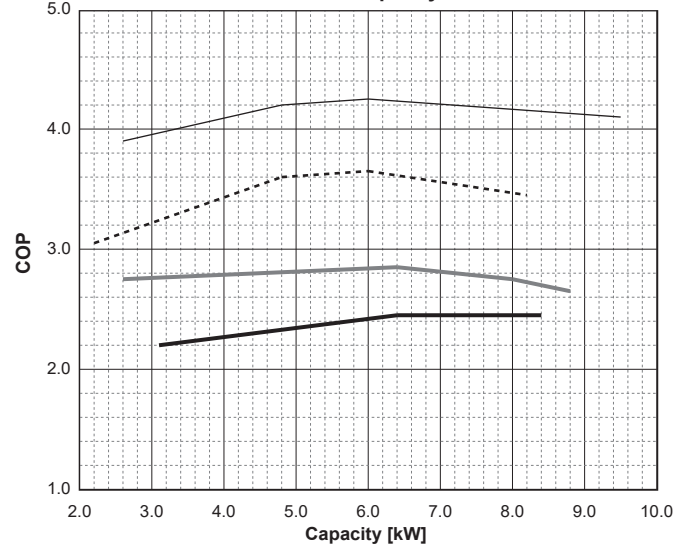


Water outlet temperature 45 [°C]

Capacity-Ambient temperature

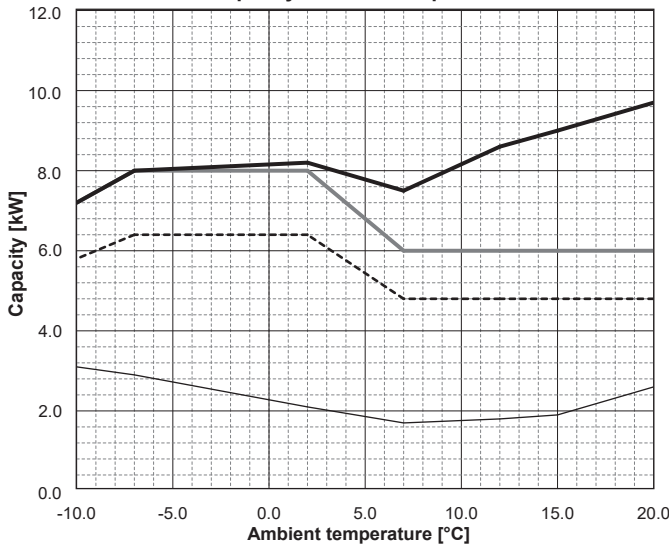


COP-Capacity

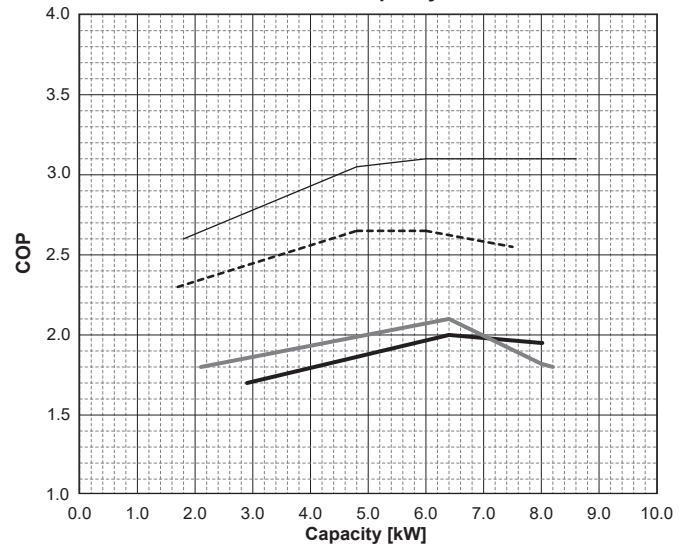


Water outlet temperature 55 [°C]

Capacity-Ambient temperature



COP-Capacity

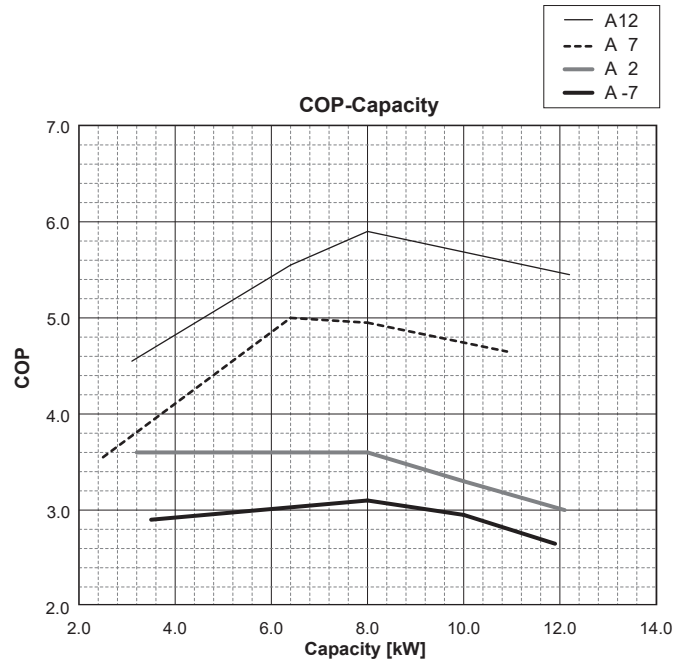
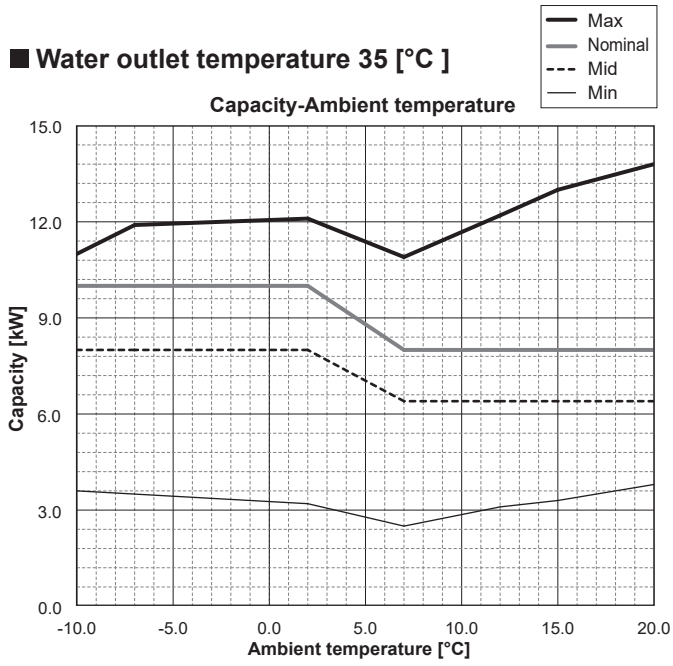


Outdoor unit

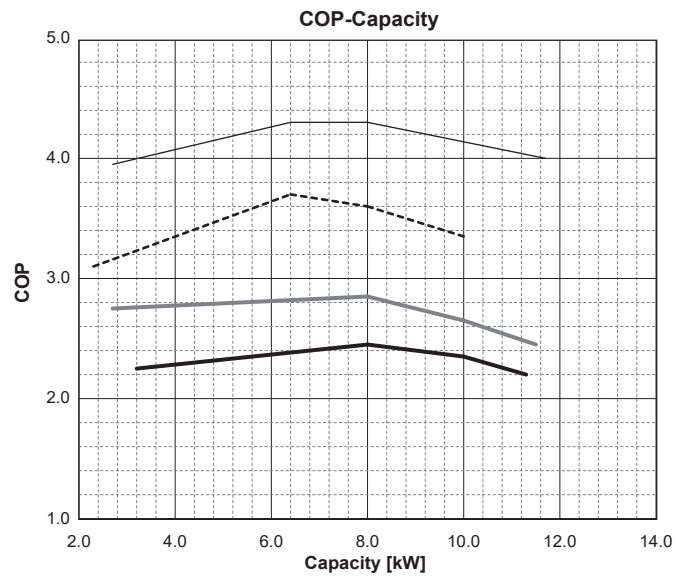
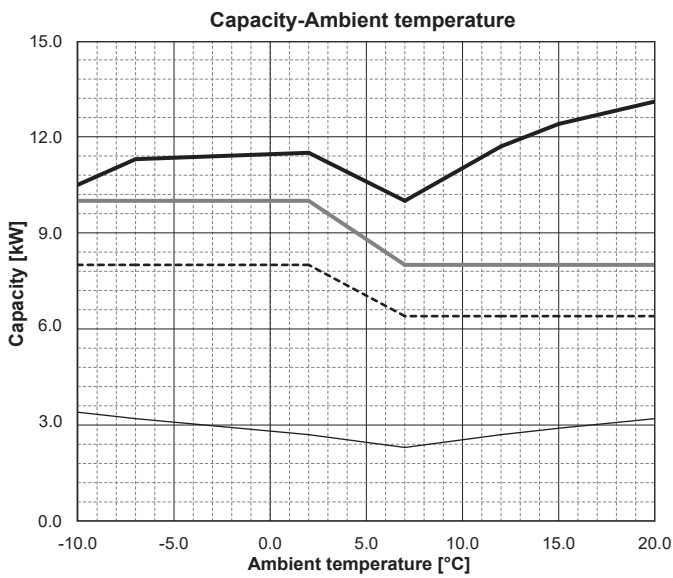
PUD-SWM100VAA(-BS) PUD-SWM100YAA(-BS)

Outdoor unit

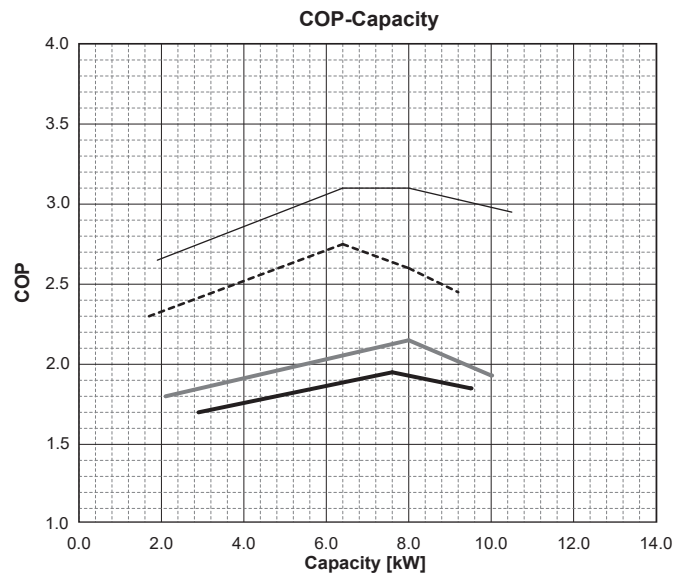
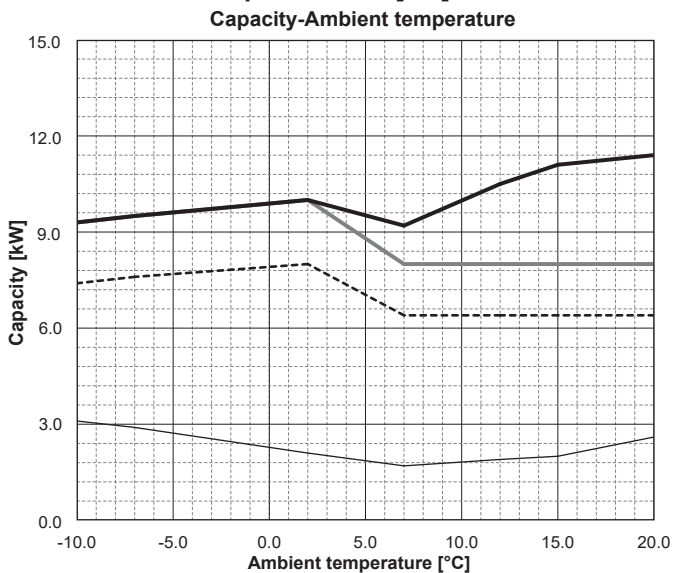
■ Water outlet temperature 35 [°C]



■ Water outlet temperature 45 [°C]

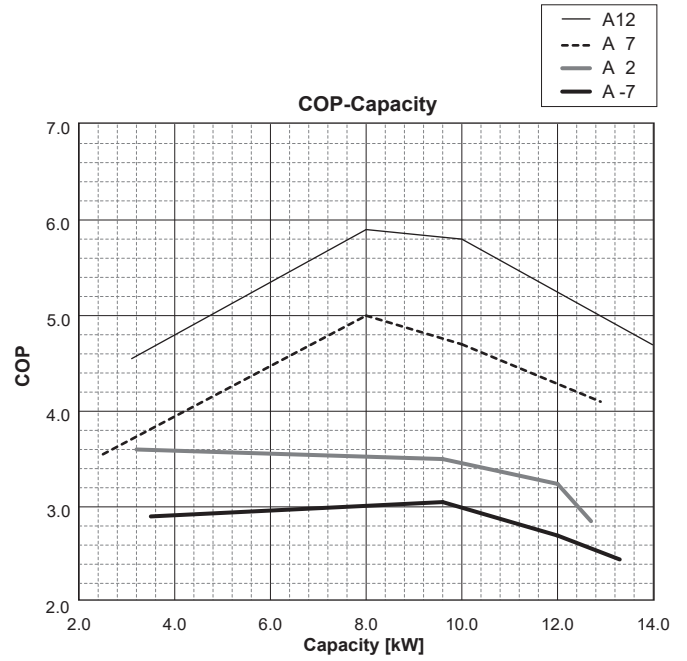
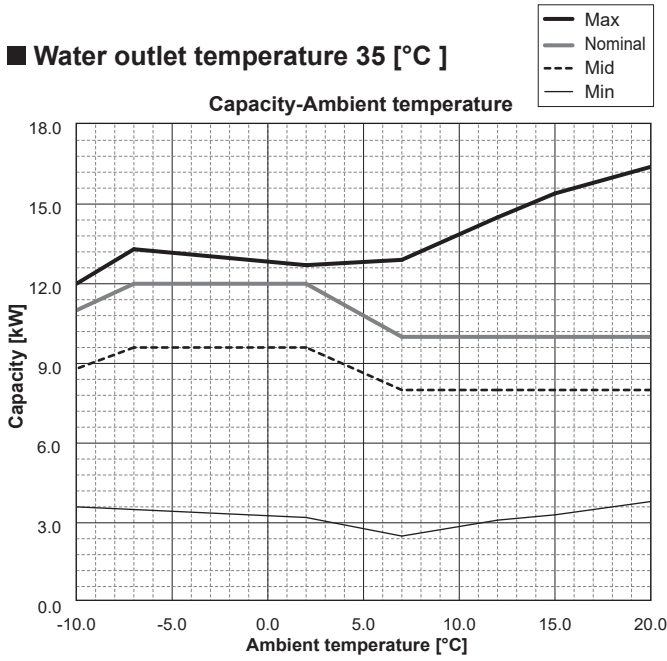


■ Water outlet temperature 55 [°C]

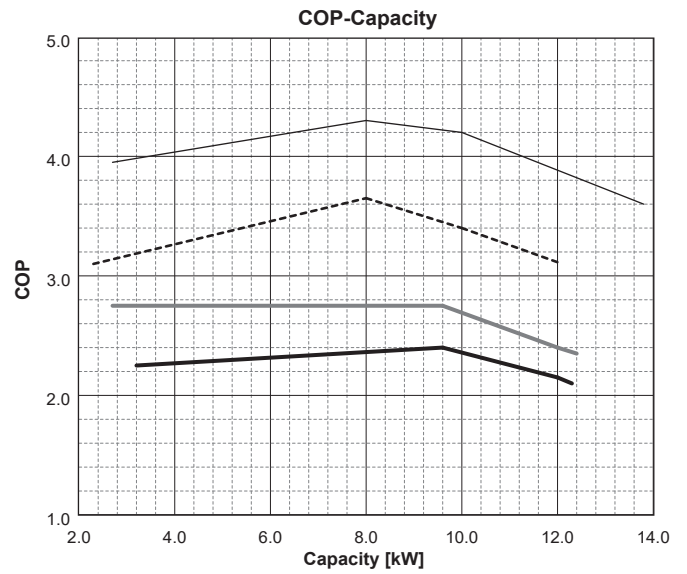
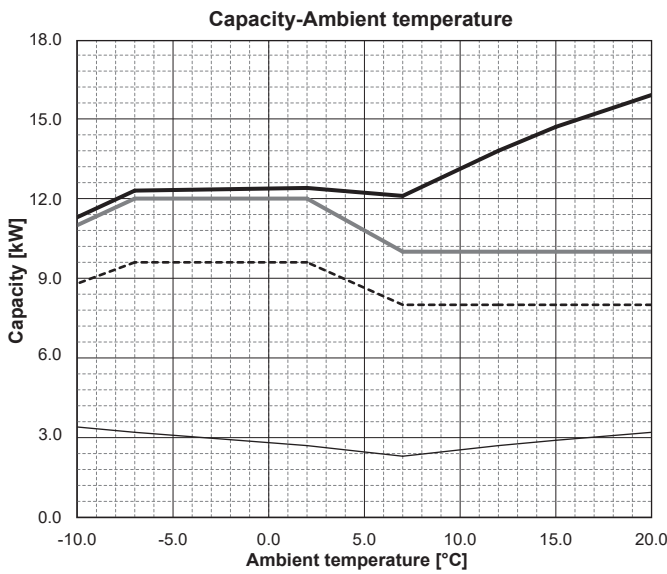


PUD-SWM120VAA(-BS) PUD-SWM120YAA(-BS)

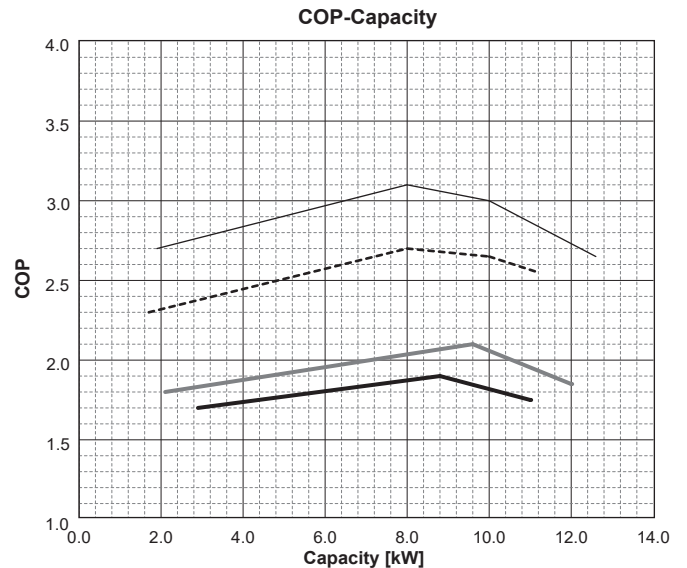
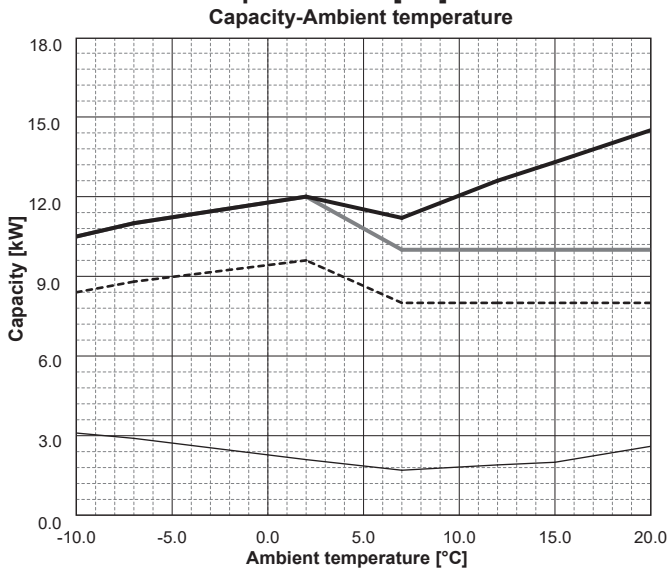
Water outlet temperature 35 [°C]



Water outlet temperature 45 [°C]



Water outlet temperature 55 [°C]

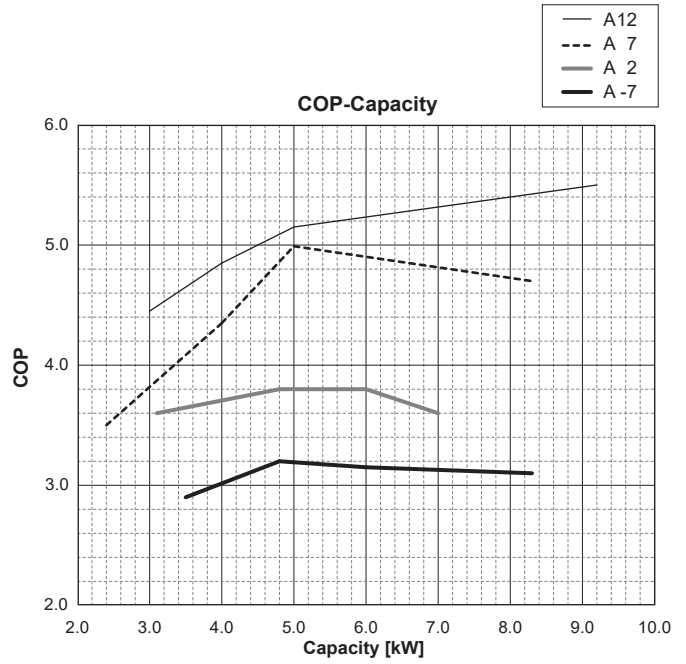
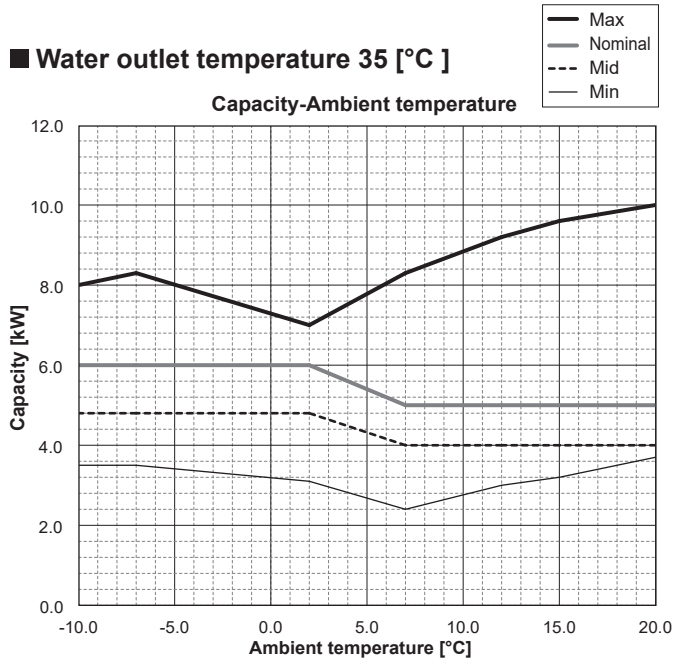


Outdoor unit

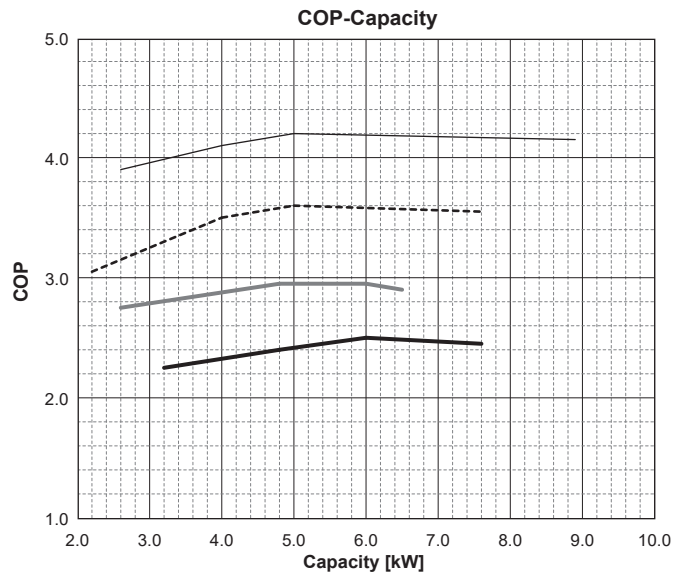
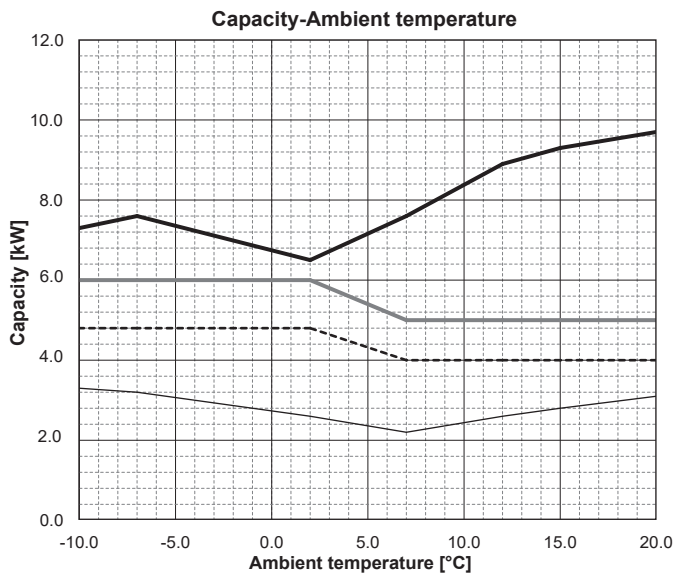
PUD-SHWM60VAA(-BS)

Outdoor unit

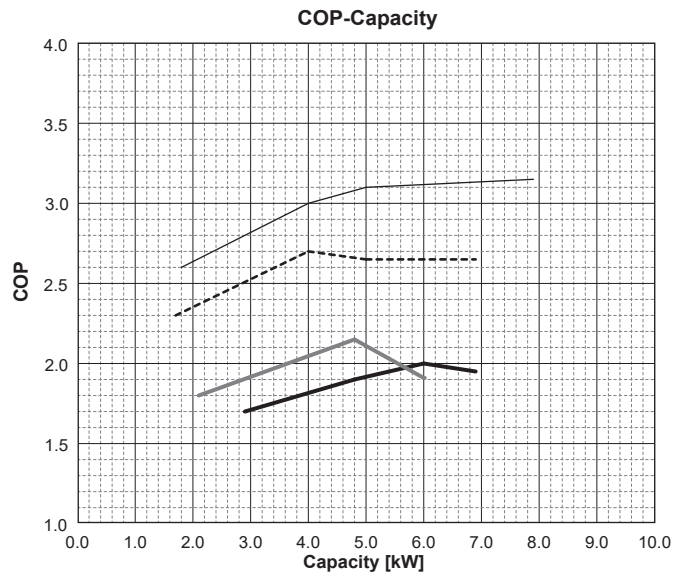
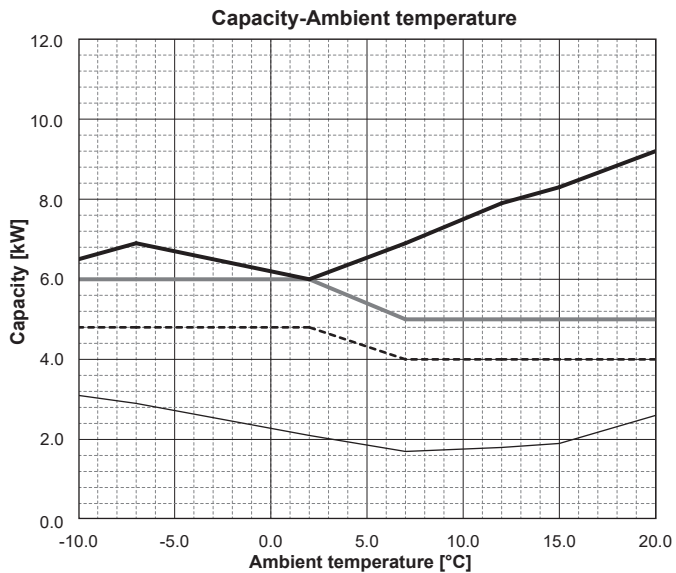
Water outlet temperature 35 [°C]



Water outlet temperature 45 [°C]

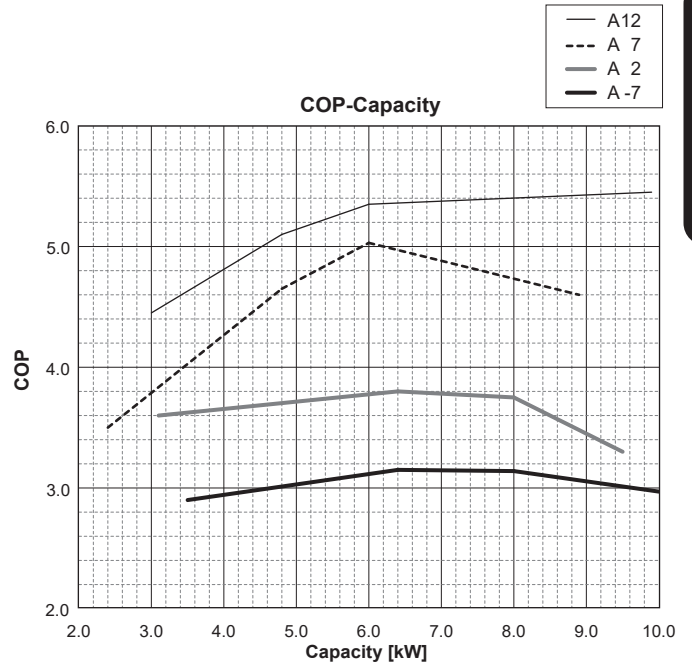
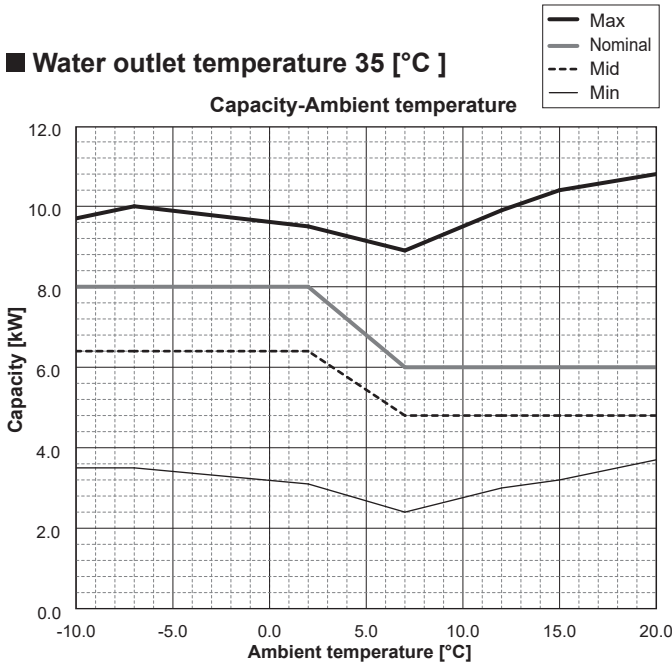


Water outlet temperature 55 [°C]

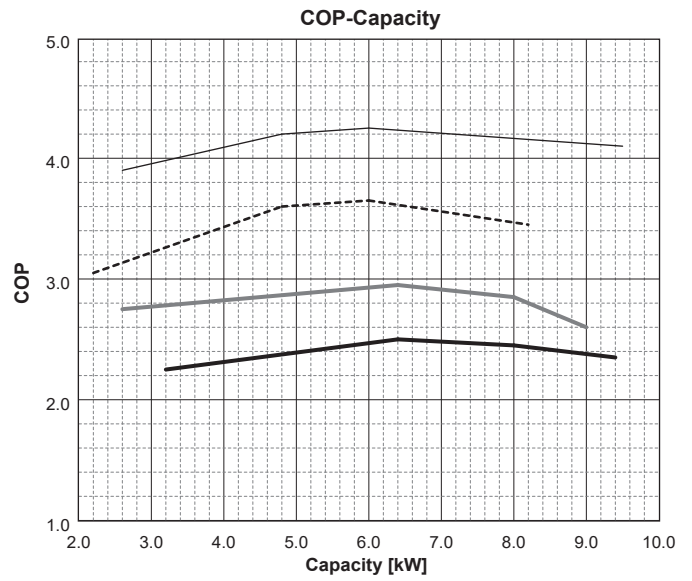
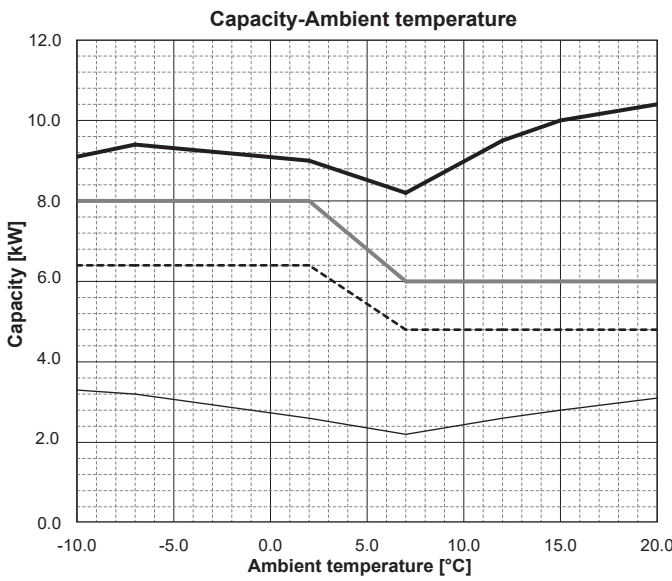


PUD-SHWM80VAA(-BS) PUD-SHWM80YAA(-BS)

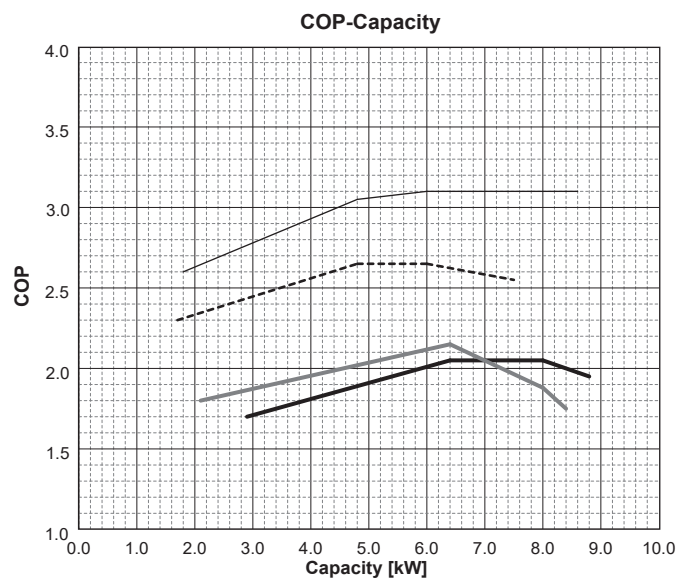
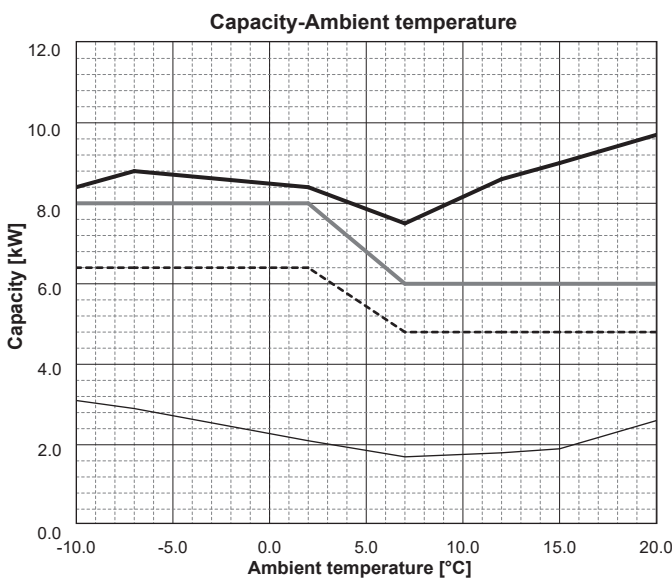
Water outlet temperature 35 [°C]



Water outlet temperature 45 [°C]



Water outlet temperature 55 [°C]

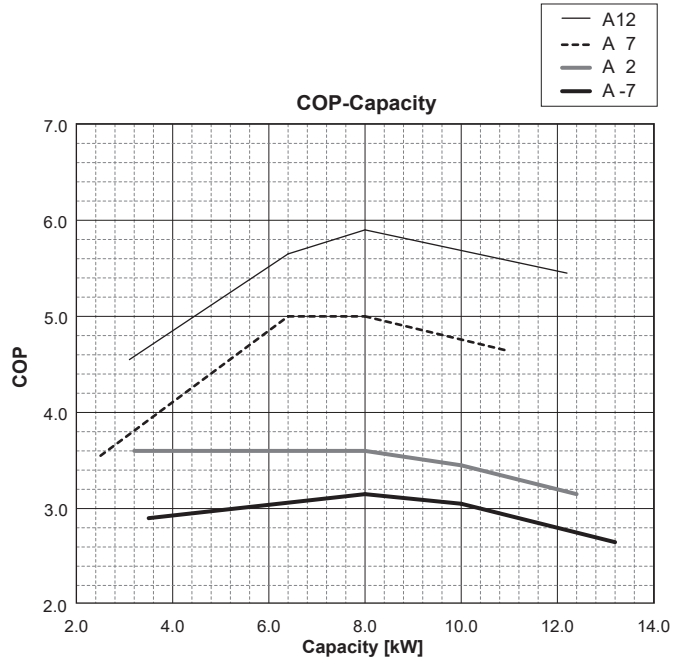
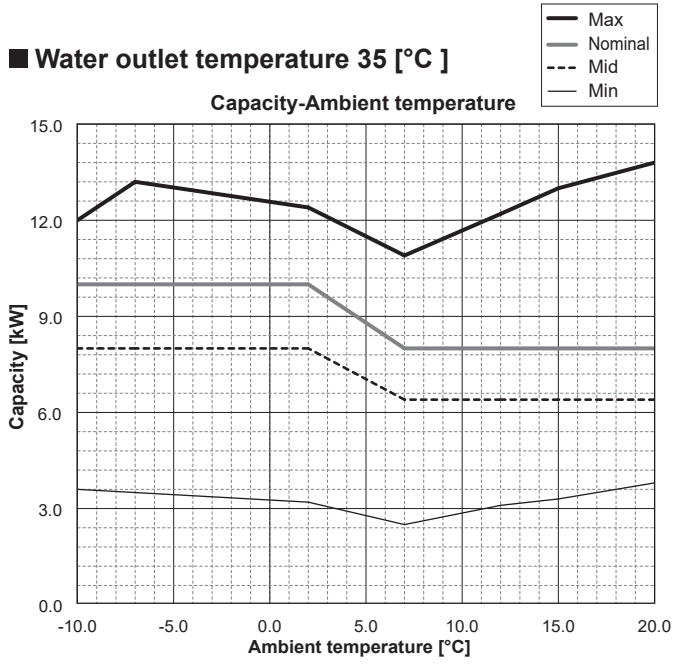


Outdoor unit

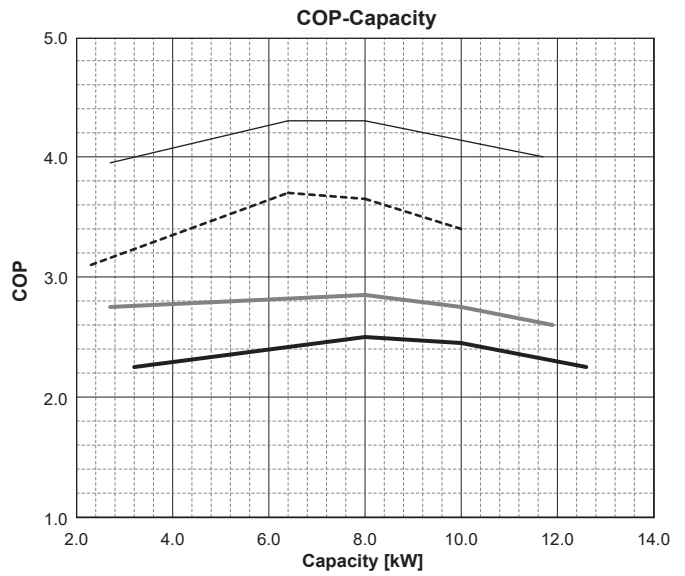
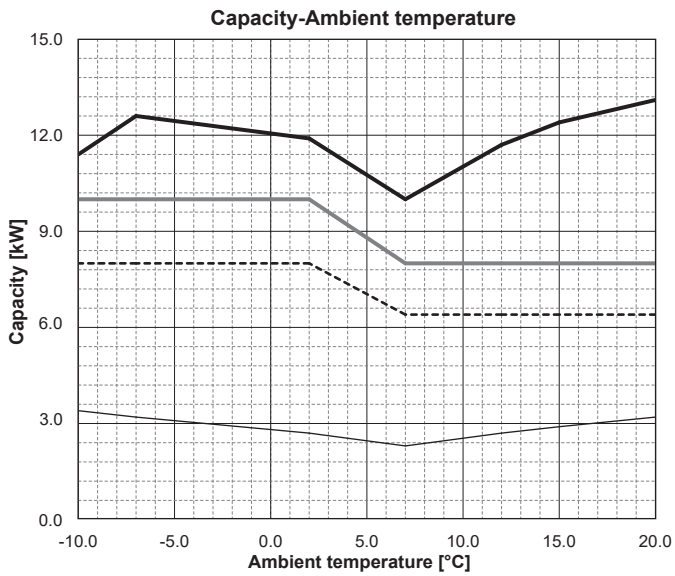
PUD-SHWM100VAA(-BS) PUD-SHWM100YAA(-BS)

Outdoor unit

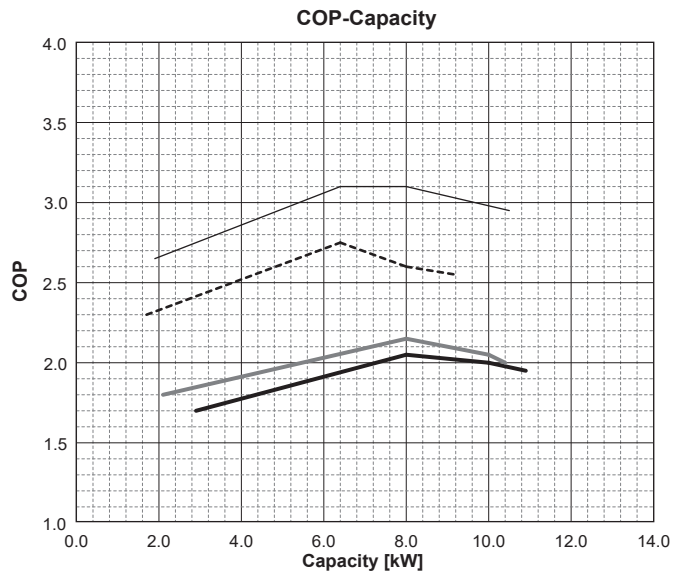
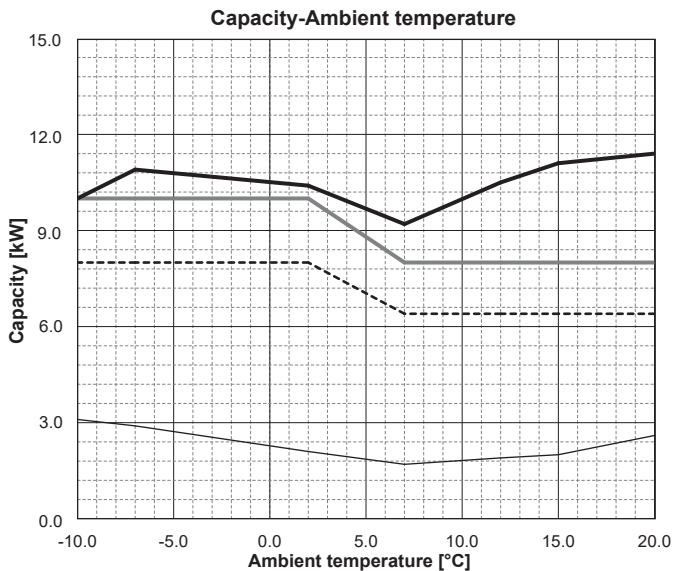
Water outlet temperature 35 [°C]



Water outlet temperature 45 [°C]

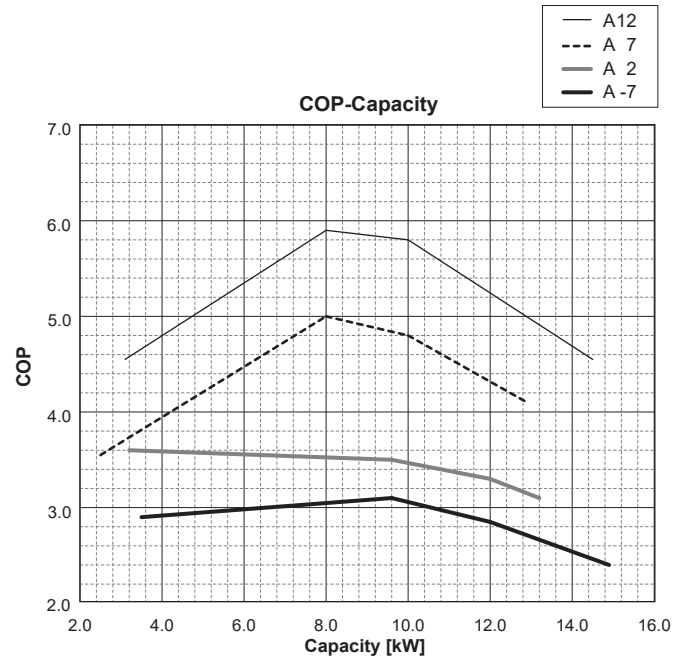
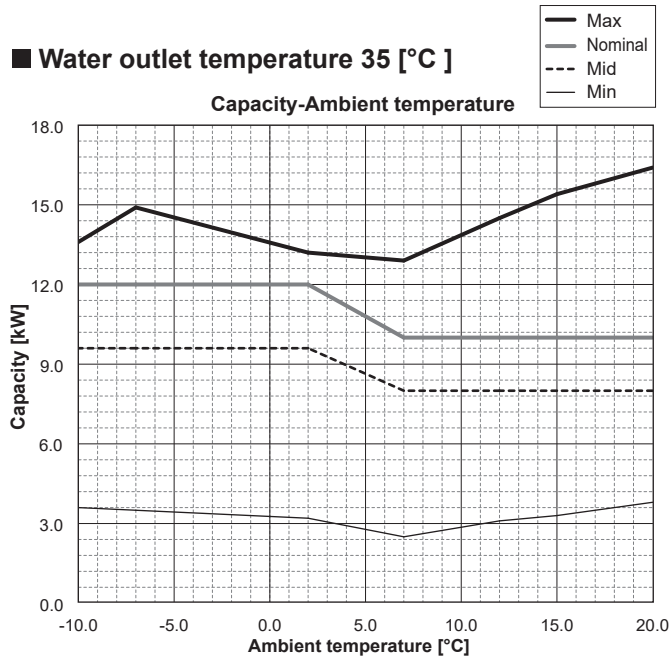


Water outlet temperature 55 [°C]

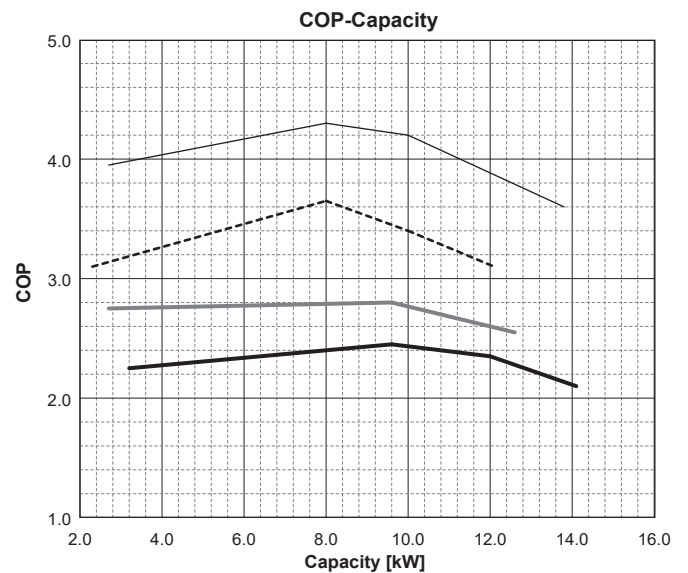
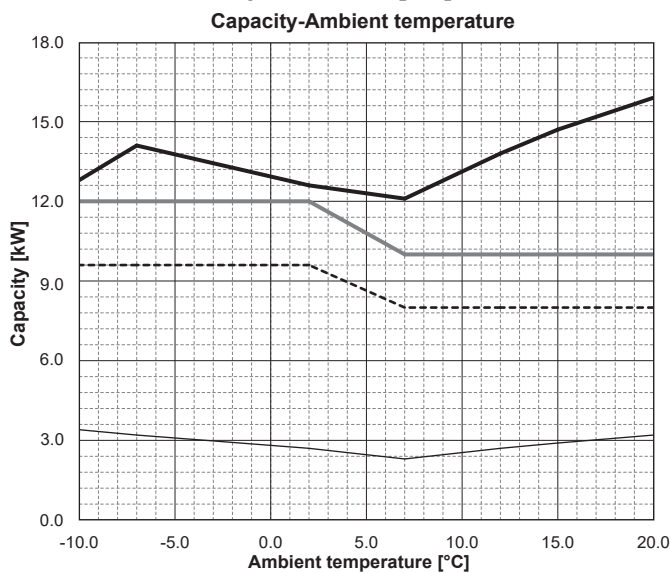


PUD-SHWM120VAA(-BS) PUD-SHWM120YAA(-BS)

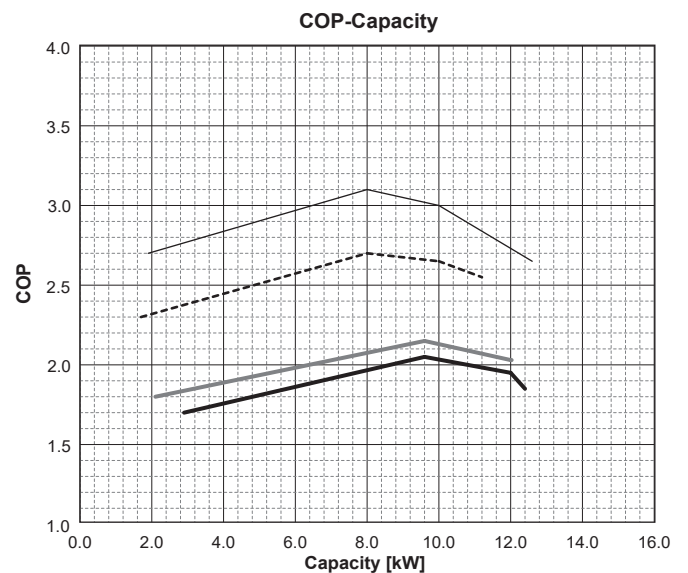
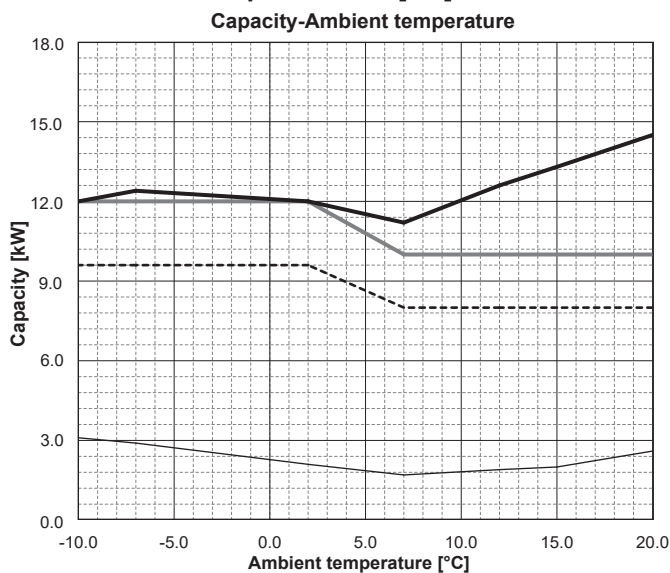
Water outlet temperature 35 [°C]



Water outlet temperature 45 [°C]



Water outlet temperature 55 [°C]

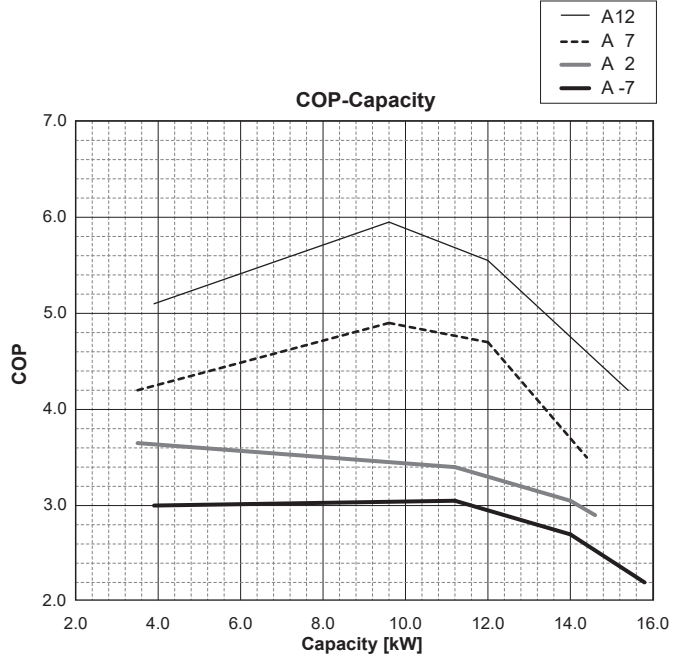
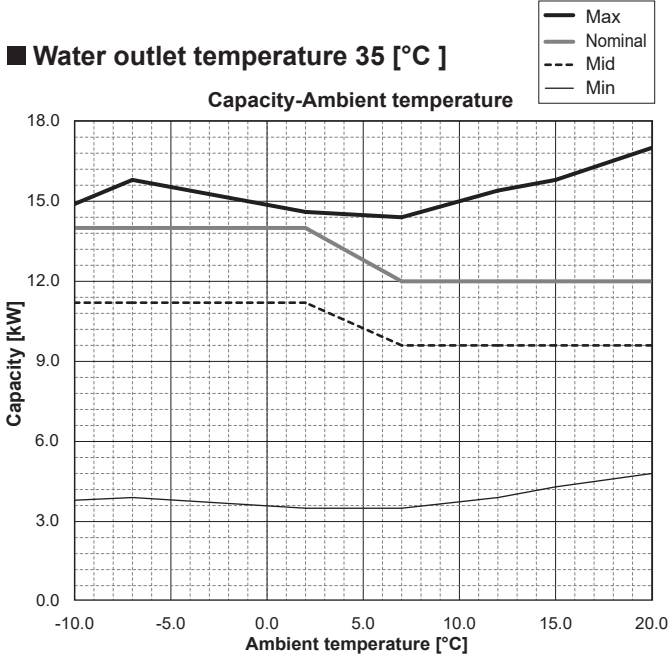


Outdoor unit

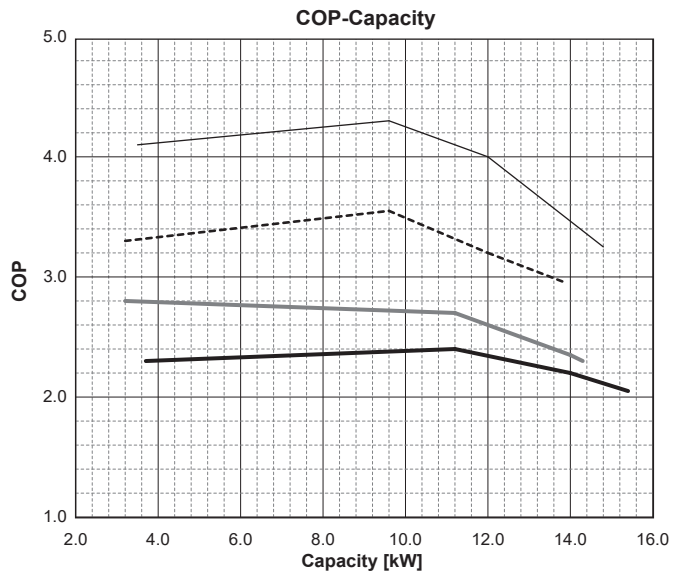
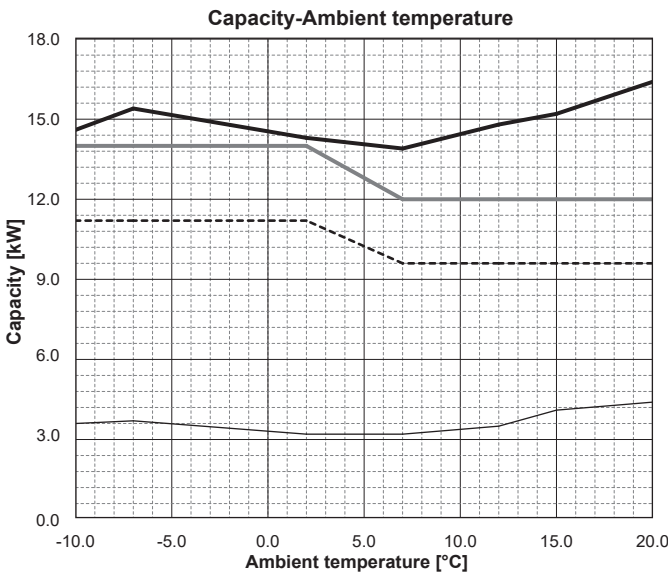
PUD-SHWM140VAA(-BS) PUD-SHWM140YAA(-BS)

Outdoor unit

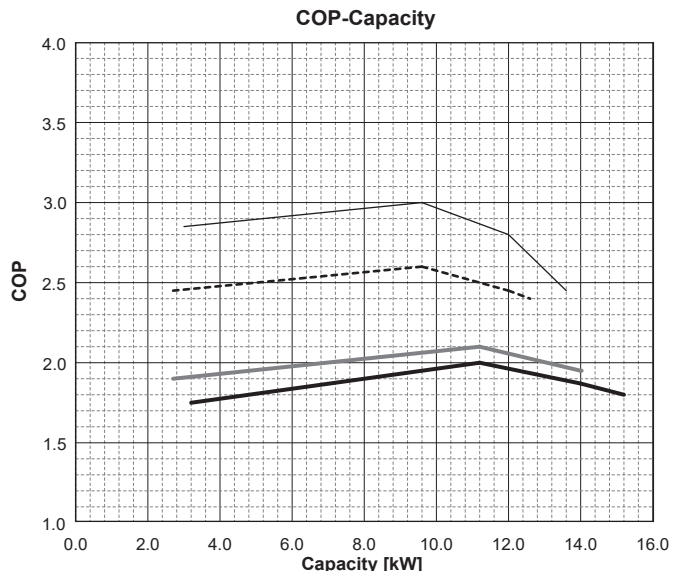
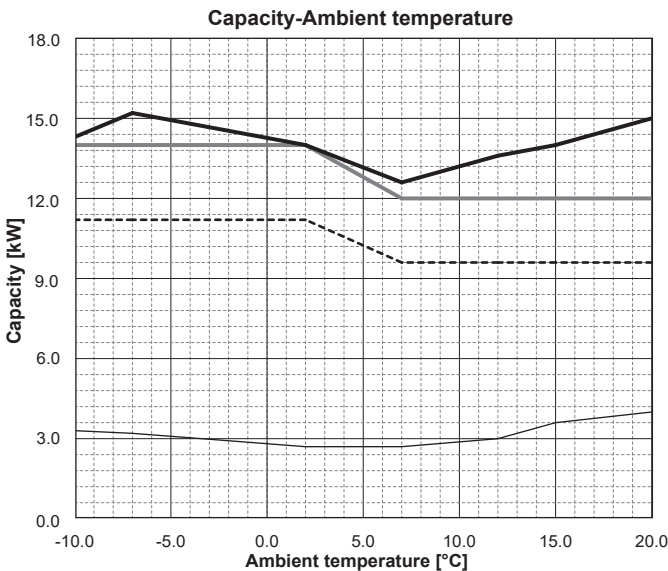
Water outlet temperature 35 [°C]



Water outlet temperature 45 [°C]

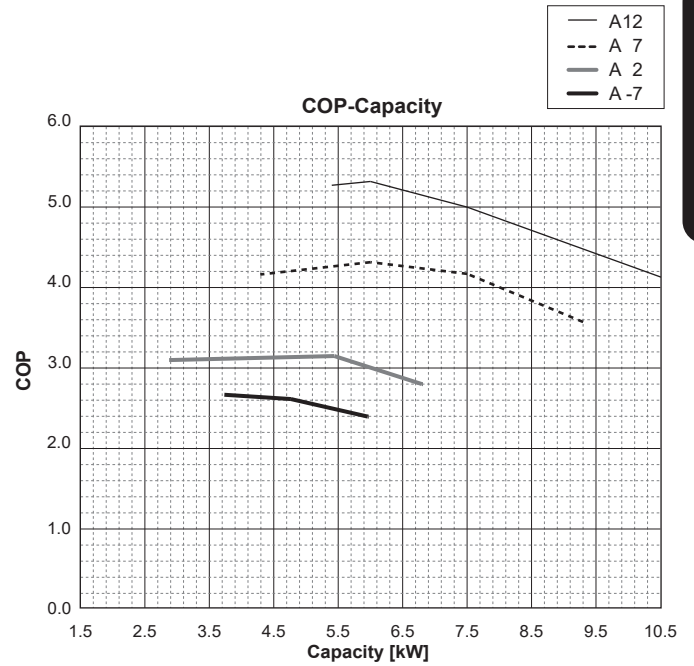
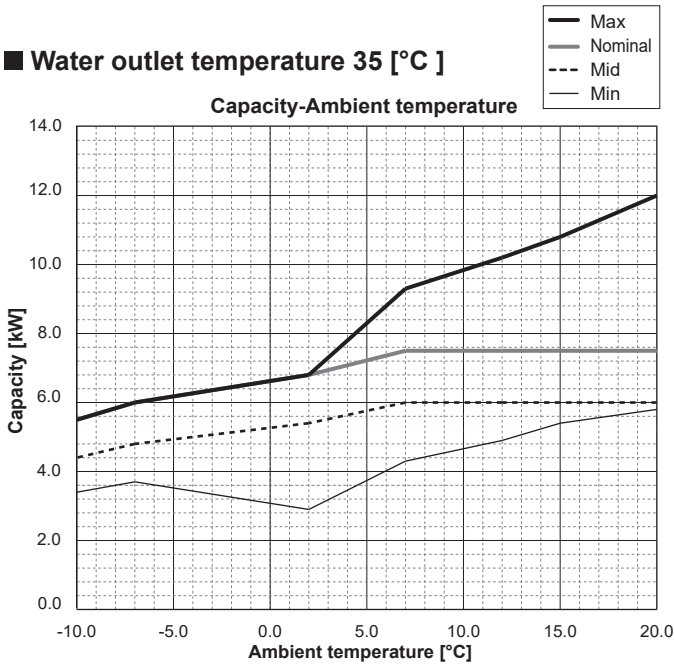


Water outlet temperature 55 [°C]

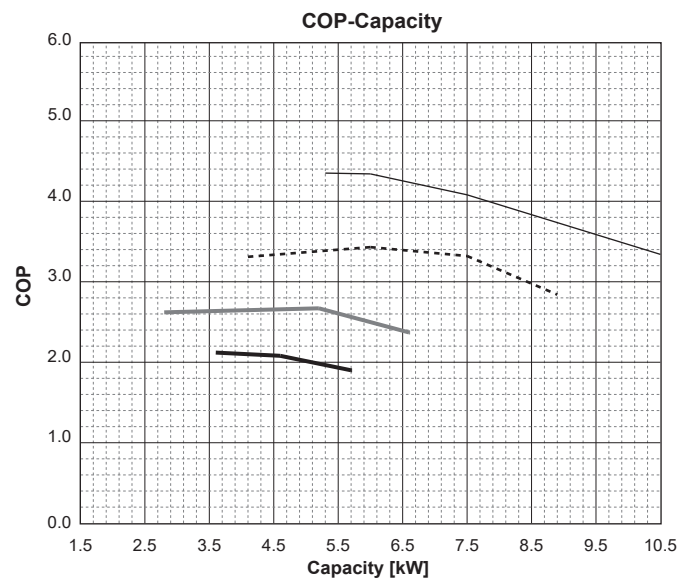
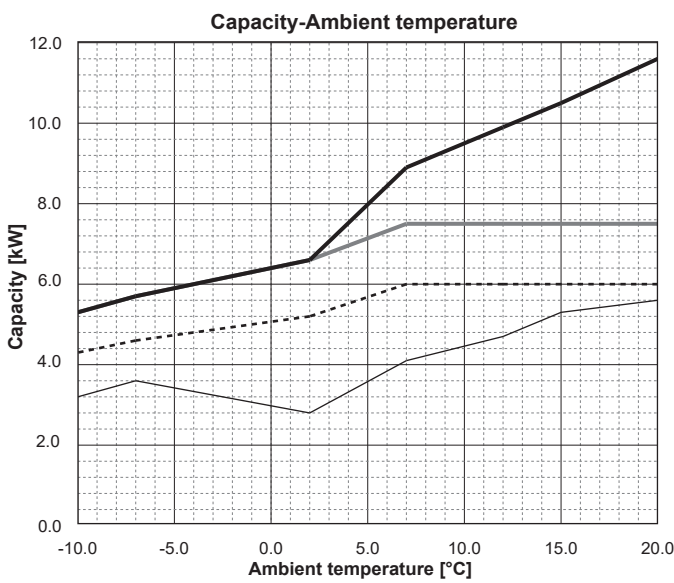


PXZ-4F75VG

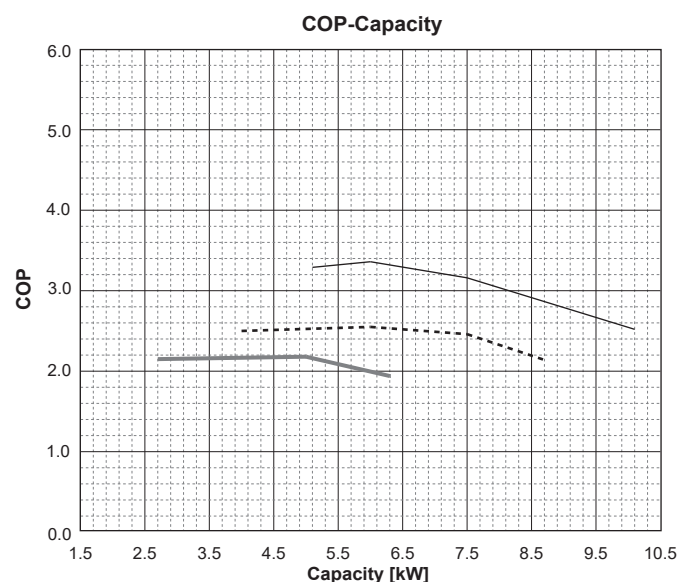
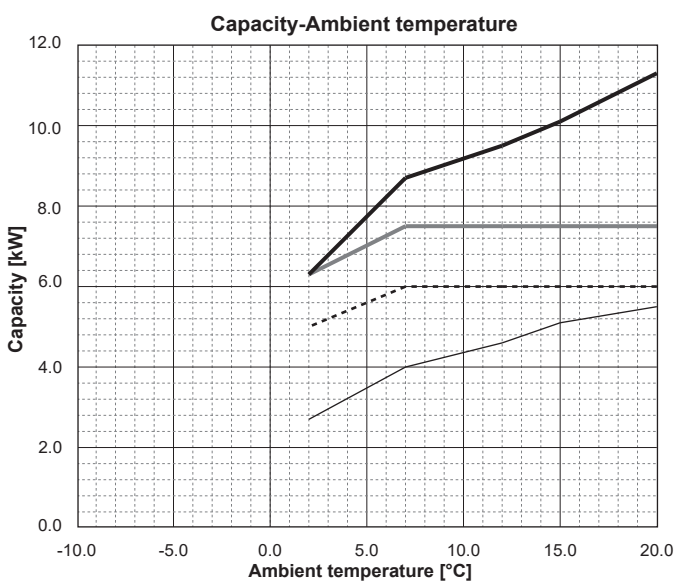
Water outlet temperature 35 [°C]



Water outlet temperature 45 [°C]



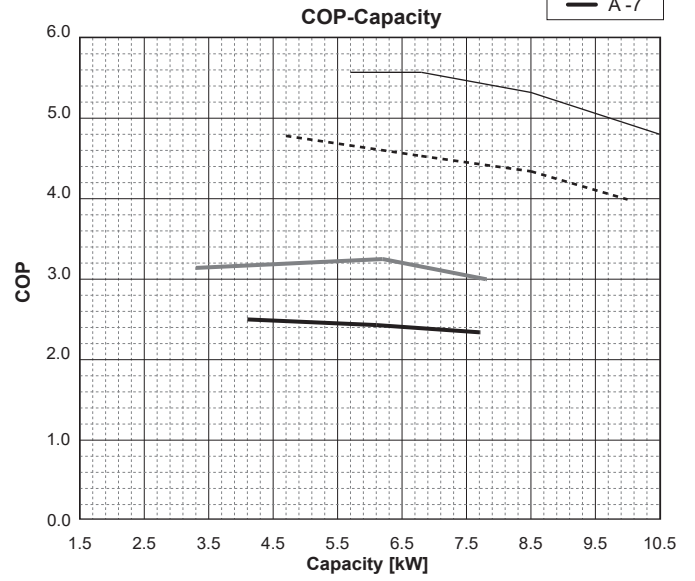
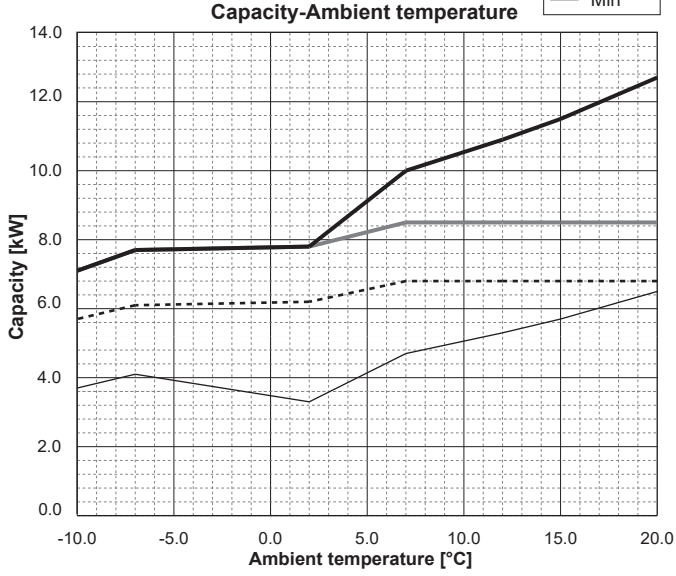
Water outlet temperature 55 [°C]



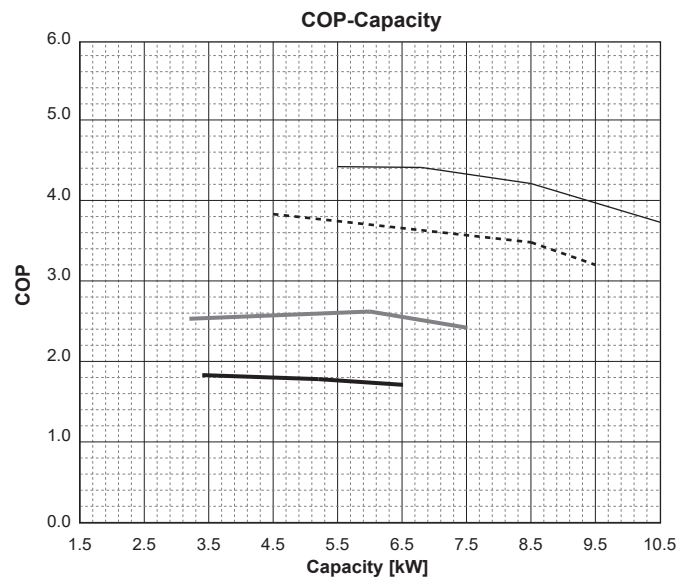
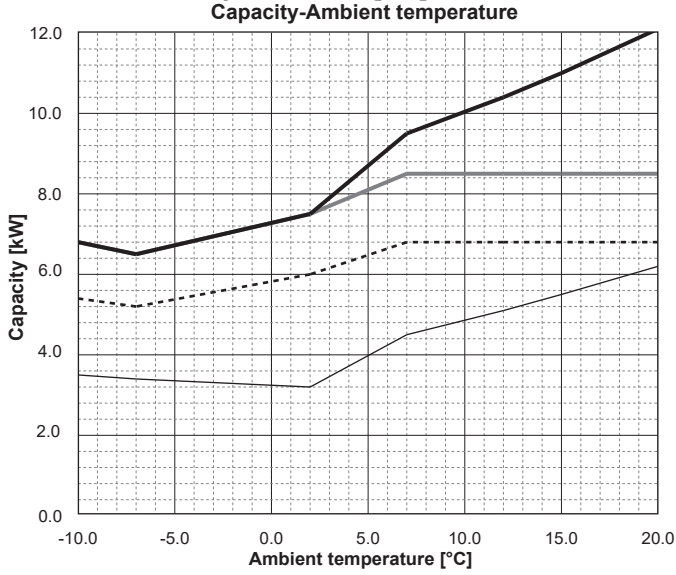
Outdoor unit

PXZ-5F85VG

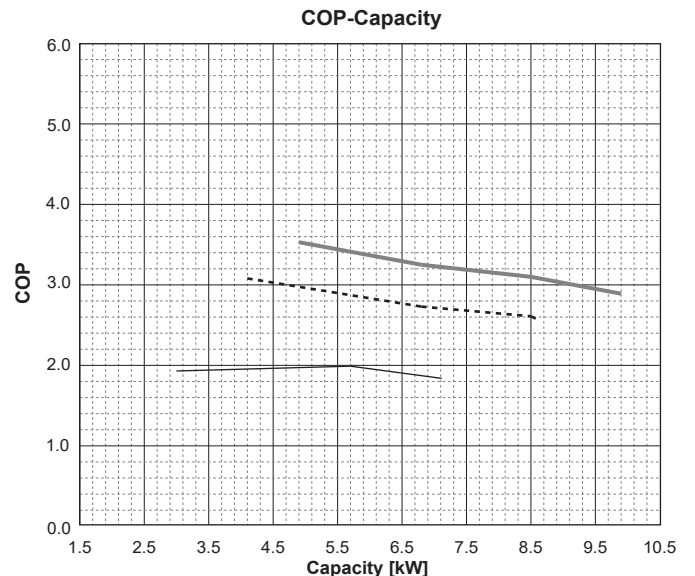
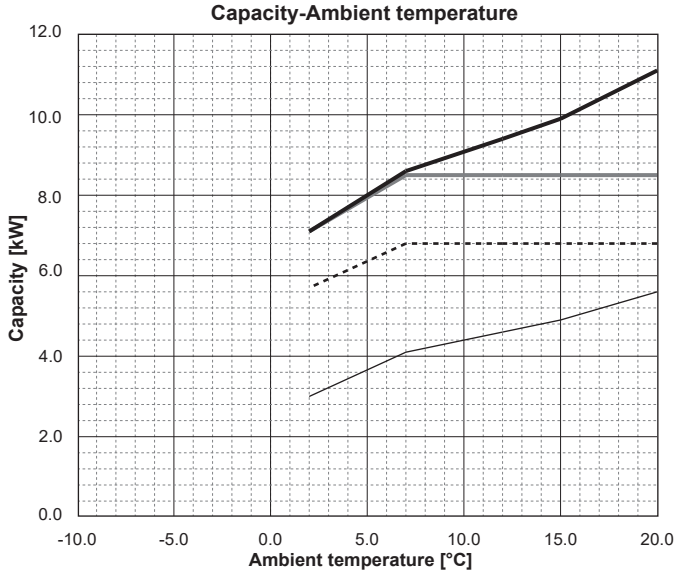
Water outlet temperature 35 [°C]



Water outlet temperature 45 [°C]



Water outlet temperature 55 [°C]



5.4 Best COP

<Notes>

- 1) These data are measured based on EN14511-2013.
- 2) Max COP of each model at each condition are shown.
- 3) Gray highlighted data means integrated data including defrost operation.

Water outlet temperature[°C]		35		45		55	
Ambient temperature[°C]		Capacity	COP	Capacity	COP	Capacity	COP
PUZ-WM50VHA(-BS)	-7	2.7	3.25	3.7	2.42	3.5	1.90
	2	4.0	3.69	4.0	2.77	4.0	2.20
		2.5	3.42	2.5	3.47	2.3	2.78
PUZ-WM60VAA(-BS)	7	1.8	5.46	4.0	4.11	4.0	2.99
	-7	4.8	3.25	4.8	2.45	4.8	2.05
		4.8	4.00	4.8	3.20	4.8	2.50
PUZ-WM85VAA(-BS) PUZ-WM85YAA(-BS)	2	3.4	4.40	3.2	3.40	5.3	2.63
	7	2.9	5.45	4.8	4.00	4.8	3.00
	-7	6.8	2.60	6.8	2.30	6.4	1.90
PUZ-WM112VAA(-BS) PUZ-WM112YAA(-BS)	2	6.8	3.75	6.8	3.00	6.8	2.35
	7	3.2	5.20	6.8	3.80	6.8	2.85
	-7	9.0	3.05	9.0	2.55	8.0	1.90
PUZ-HWM140VHA(-BS) PUZ-HWM140YHA(-BS)	2	9.0	3.75	9.0	2.80	8.0	2.10
	7	9.0	3.94	9.9	2.94	8.8	2.21
	-7	9.0	4.80	9.0	3.90	8.0	3.00
SUZ-SWM40VA	7	11.2	3.00	11.2	2.50	11.2	2.10
	2	5.1	3.65	11.2	2.90	11.2	2.55
		6.0	3.69	12.3	3.05	12.3	2.68
SUZ-SWM60VA	7	11.2	4.80	11.2	3.85	11.2	2.90
	-7	2.3	3.17	2.1	2.42	1.7	1.61
		3.2	4.17	3.2	3.14	3.2	2.19
SUZ-SWM80VA	2	3.0	4.27	2.9	3.20	2.7	2.23
	7	4.0	5.20	4.0	3.70	4.0	2.61
	-7	3.9	3.08	3.7	2.51	3.2	1.97
SUZ-SWM30VA	2	5.8	3.38	5.0	2.68	5.0	2.12
	7	5.4	4.17	4.5	3.31	4.2	2.39
	-7	4.8	5.21	5.3	3.62	5.4	2.73
SUZ-SHM30VAH	2	3.9	3.03	3.4	2.46	2.9	1.95
	7	6.5	3.40	6.5	2.73	6.5	2.11
	-7	6.0	4.13	5.8	3.28	5.5	2.37
SUZ-SWM40VA2(-SC)	2	6.0	5.10	6.0	3.72	6.0	2.85
	7	2.4	3.18	2.4	2.57	2.9	2.16
	-7	2.4	3.97	2.4	3.07	2.4	2.50
SUZ-SHM40VAH(-SC)	2	2.0	4.02	1.9	3.12	1.9	2.57
	7	3.0	5.11	2.4	3.71	2.9	2.94
	-7	3.0	2.95	3.0	2.42	2.9	2.07
SUZ-SHM60VAH(-SC)	2	3.0	3.67	2.4	2.85	4.0	2.38
	7	2.0	4.02	1.9	3.12	1.9	2.57
	-7	3.0	5.11	2.4	3.71	2.9	2.94
SUZ-SWM60VA2(-SC)	2	3.6	3.12	2.4	2.52	2.3	2.14
	7	3.2	3.94	3.2	3.06	4.0	2.47
	-7	2.0	4.02	1.9	3.12	1.9	2.57
SUZ-SHM80VAH2	2	3.0	5.11	2.4	3.71	2.9	2.93
	7	2.8	3.38	2.7	2.18	2.6	1.70
	-7	3.2	3.71	3.2	2.56	4.0	2.20
SUZ-SWM80VA2	2	2.6	3.84	2.5	2.70	2.4	2.04
	7	3.0	4.77	3.0	3.08	2.3	2.86
	-7	2.8	3.64	2.7	2.18	2.6	1.70
SUZ-SHM100VA	2	4.8	3.86	4.8	2.53	4.0	2.09
	7	2.6	4.21	2.5	2.70	2.4	2.04
	-7	5.0	4.85	4.0	3.32	4.0	2.94
SUZ-SHM60VAH(-SC)	2	4.8	2.95	4.8	2.22	4.8	1.78
	7	4.8	3.65	4.8	2.79	4.8	2.23
	-7	3.8	4.17	3.5	3.12	3.3	2.54
SUZ-SWM80VAH2	2	3.6	4.98	3.4	3.63	4.0	2.95
	7	3.9	2.95	3.5	2.20	3.4	1.78
	-7	6.0	3.66	6.0	2.87	6.0	2.32
SUZ-SWM100VA	2	3.8	4.17	3.5	3.12	3.3	2.54
	7	6.0	5.10	4.8	3.66	4.8	3.01
	-7	7.0	2.76	3.5	2.05	3.4	1.67
SUZ-SWM80VAH2	2	6.0	3.41	6.0	2.71	6.0	2.22
	7	3.8	4.17	3.5	3.12	3.3	2.54
	-7	6.0	5.10	4.8	3.66	4.8	3.01
SUZ-SWM100VA	2	3.9	2.95	3.5	2.22	3.4	1.78
	7	7.2	3.36	6.8	2.79	6.8	2.36
	-7	3.8	4.17	3.5	3.12	3.3	2.54
SUZ-SWM100VA	7	10.0	5.08	6.0	3.65	3.3	2.93

5 Performance data

Outdoor unit

Outdoor unit

Water outlet temperature[°C]		35		45		55	
Ambient temperature[°C]		Capacity	COP	Capacity	COP	Capacity	COP
SUZ-SWM100VAH	-7	7.5	2.73	3.5	2.06	3.4	1.67
	2	7.2	3.18	6.8	2.66	6.8	2.27
		3.8	4.17	3.5	3.12	3.3	2.54
	7	10.0	5.08	6.0	3.65	3.3	2.93
PUD-SWM60VAA(-BS)	-7	5.0	3.20	5.2	2.50	5.4	2.05
	2	5.2	3.70	5.0	2.90	4.3	2.25
		4.3	3.75	4.2	2.95	4.0	2.30
	7	5.5	4.90	5.3	3.65	4.5	2.70
PUD-SWM80VAA(-BS) PUD-SWM80YAA(-BS)	-7	5.0	3.20	5.2	2.50	5.4	2.05
	2	5.2	3.70	5.0	2.90	4.3	2.25
		4.3	3.75	4.2	2.95	4.0	2.30
	7	5.5	4.90	5.3	3.65	4.8	2.65
PUD-SWM100VAA(-BS) PUD-SWM100YAA(-BS)	-7	6.6	3.15	6.4	2.50	6.2	2.00
	2	7.0	3.70	6.9	3.00	6.8	2.20
		6.0	4.05	5.9	3.15	5.8	2.30
	7	5.6	5.10	5.4	3.75	5.2	2.80
PUD-SWM120VAA(-BS) PUD-SWM120YAA(-BS)	-7	6.6	3.15	6.4	2.50	6.2	2.10
	2	7.0	3.70	6.9	3.00	6.8	2.20
		6.0	4.05	5.9	3.15	5.8	2.30
	7	5.6	5.10	5.4	3.75	5.2	2.80
PUD-SHWM60VAA(-BS)	-7	5.4	3.20	6.0	2.50	6.0	2.00
	2	5.2	3.85	5.0	3.00	4.3	2.25
		4.3	3.95	4.2	3.05	4.0	2.30
	7	5.6	5.05	5.4	3.70	4.8	2.70
PUD-SHWM80VAA(-BS) PUD-SHWM80YAA(-BS)	-7	5.4	3.20	6.0	2.55	6.0	2.10
	2	5.2	3.85	5.0	3.00	4.3	2.25
		4.3	3.95	4.2	3.05	4.0	2.30
	7	5.6	5.05	5.4	3.70	4.8	2.70
PUD-SHWM100VAA(-BS) PUD-SHWM100YAA(-BS)	-7	6.6	3.25	6.4	2.60	6.2	2.10
	2	7.0	3.70	6.9	3.00	6.8	2.20
		6.0	4.05	5.9	3.15	5.8	2.30
	7	5.6	5.10	5.4	3.75	5.2	2.80
PUD-SHWM120VAA(-BS) PUD-SHWM120YAA(-BS)	-7	6.6	3.25	6.4	2.60	6.2	2.10
	2	7.0	3.70	6.9	3.00	6.8	2.20
		6.0	4.05	5.9	3.15	5.8	2.30
	7	5.6	5.10	5.4	3.75	5.2	2.80
PUD-SHWM140VAA(-BS) PUD-SHWM140YAA(-BS)	-7	6.9	3.30	6.7	2.60	6.5	2.15
	2	7.3	3.70	7.2	2.95	7.0	2.20
		6.0	4.00	5.9	3.20	5.8	2.40
	7	6.7	5.00	6.6	3.75	6.5	2.80
PXZ-4F75VG	-7	3.7	2.67	3.6	2.12	-	-
	2	5.4	3.15	5.2	2.67	5.0	2.18
		6.0	4.31	6.0	3.43	6.0	2.55
	7	6.0	4.31	6.0	3.43	6.0	2.55
PXZ-5F85VG	-7	4.1	2.50	3.4	1.83	-	-
	2	6.2	3.25	6.0	2.62	5.7	1.99
		4.7	4.78	4.5	3.83	4.1	3.08

5.5 Correcting capacity for changes in the length of refrigerant piping

Split-type units

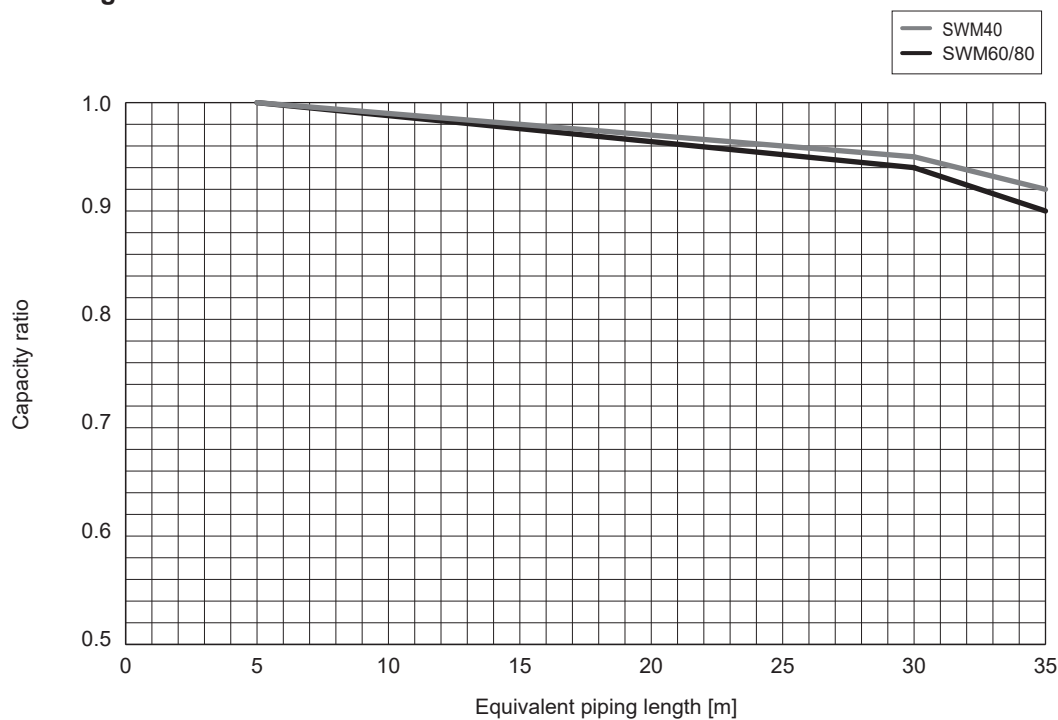
■ SUZ-SWM40VA SUZ-SWM60VA SUZ-SWM80VA

<Method for obtaining the equivalent piping length>

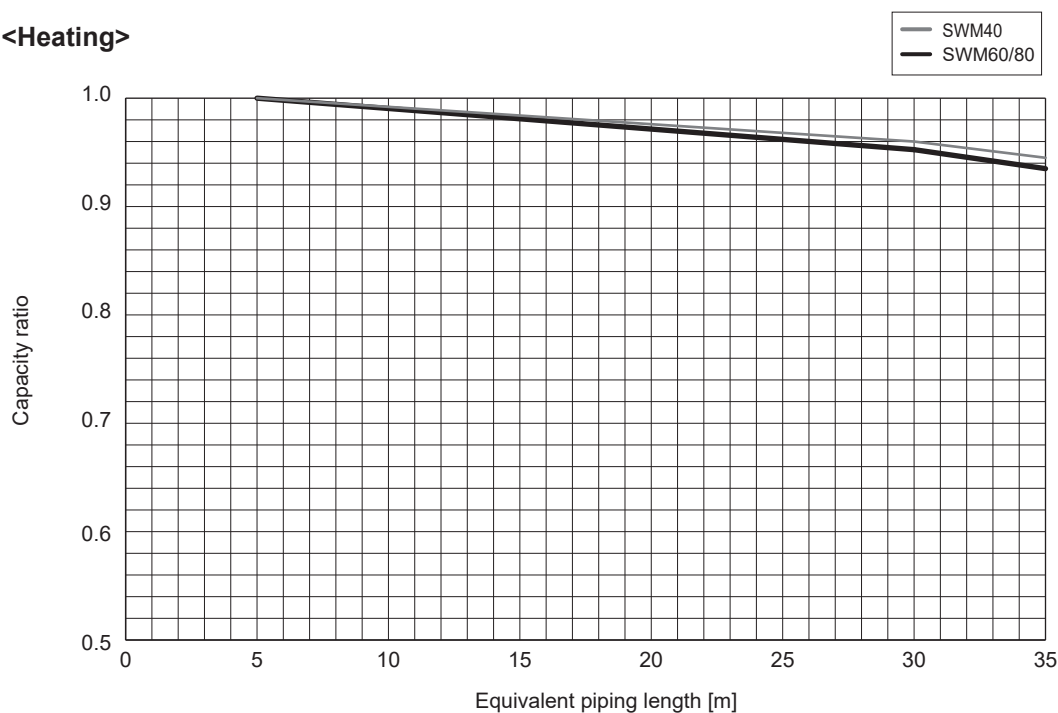
$$\text{Equivalent length} = (\text{piping length}^{*1}) + 0.3 \times (\text{number of bends in the piping})$$

*1 Max piping length of SUZ series is 30m.

<Cooling>



<Heating>



Split-type units

■ SUZ-SWM30VA

SUZ-SHWM30VAH

SUZ-SWM40VA2(-SC)

SUZ-SHWM40VAH(-SC)

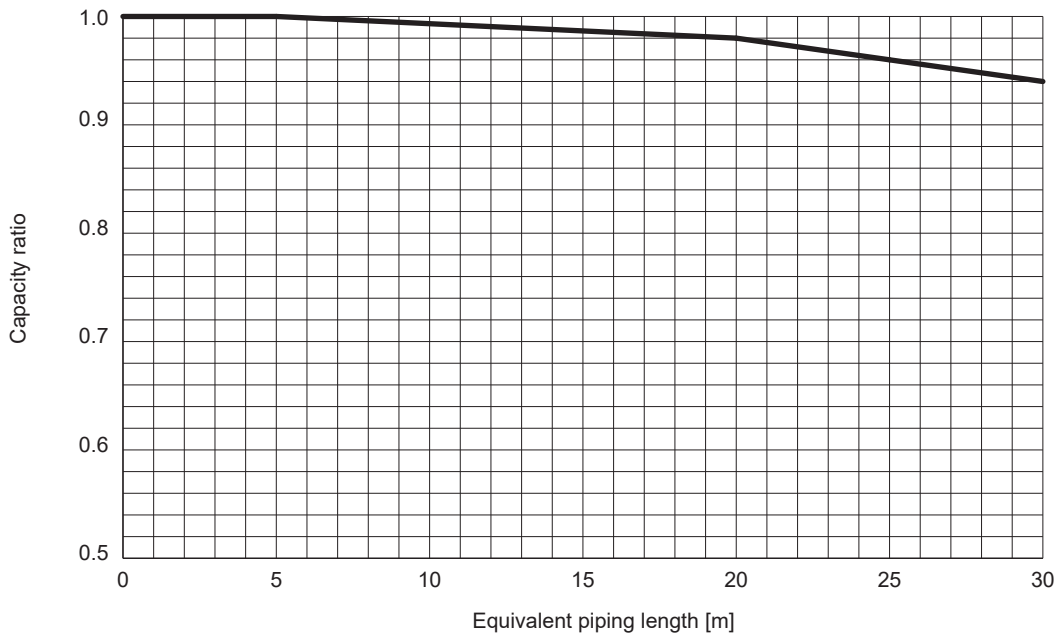
SUZ-SWM60VA2(-SC)

<Method for obtaining the equivalent piping length>

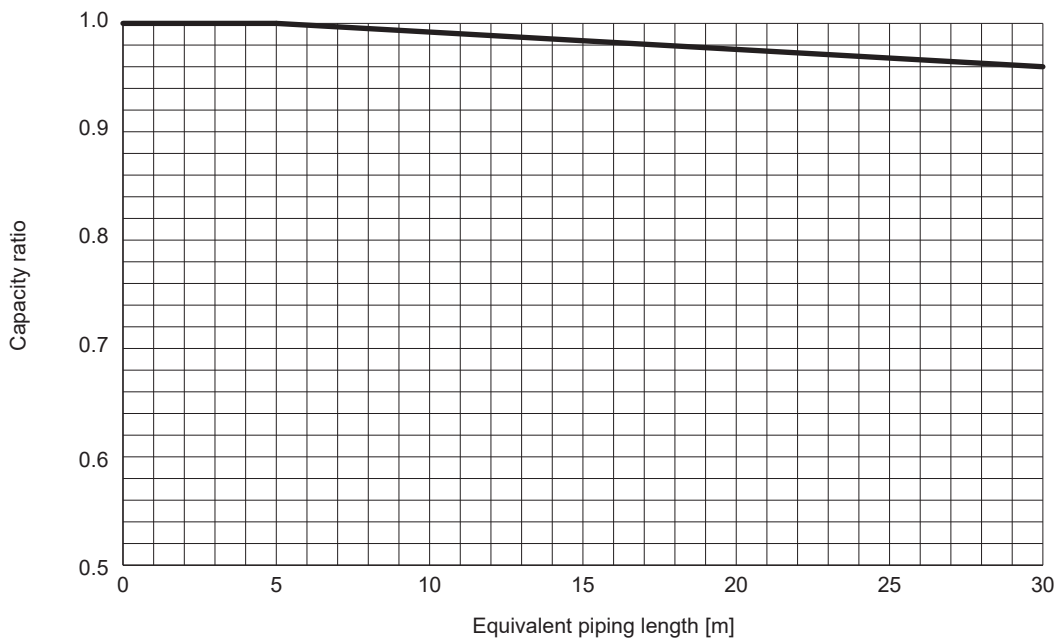
$$\text{Equivalent length} = (\text{piping length}^{*1}) + 0.3 \times (\text{number of bends in the piping})$$

*1 Max piping length of SUZ series is 30m.

<Cooling>



<Heating>



Split-type units

■ SUZ-SHWM60VAH(-SC)

SUZ-SWM80VA(H)2

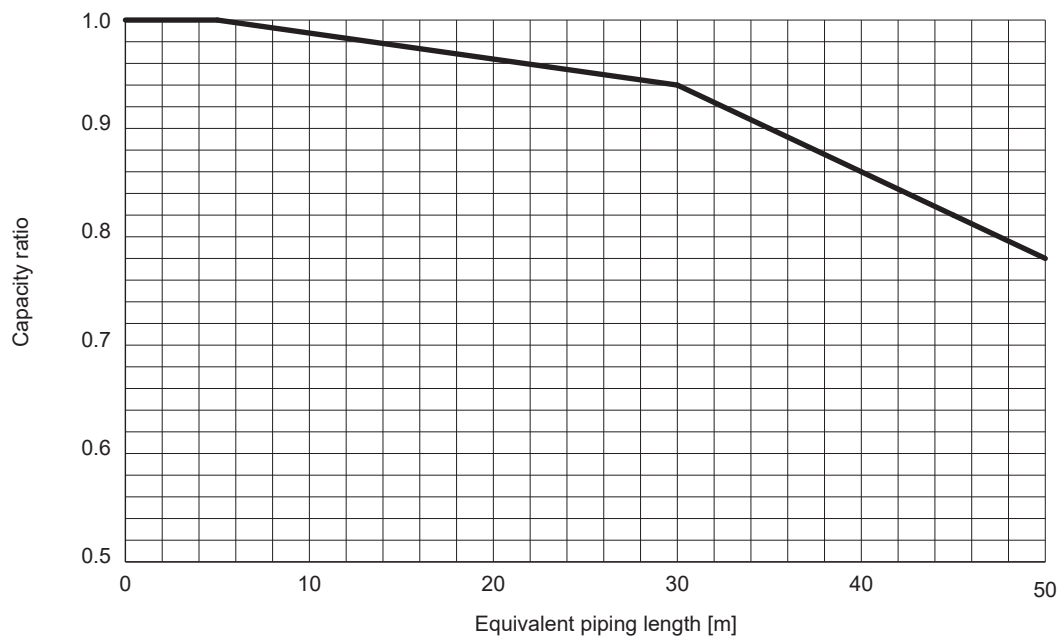
SUZ-SWM100VA(H)

<Method for obtaining the equivalent piping length>

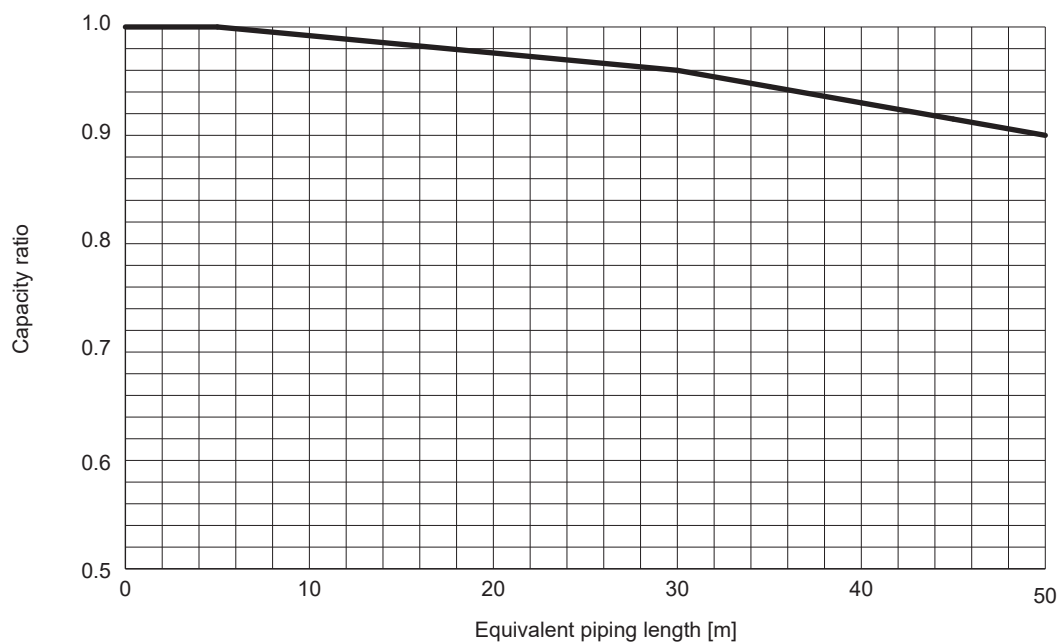
$$\text{Equivalent length} = (\text{piping length}^{*1}) + 0.3 \times (\text{number of bends in the piping})$$

*1 Max piping length of SUZ series is 30m.

<Cooling>



<Heating>

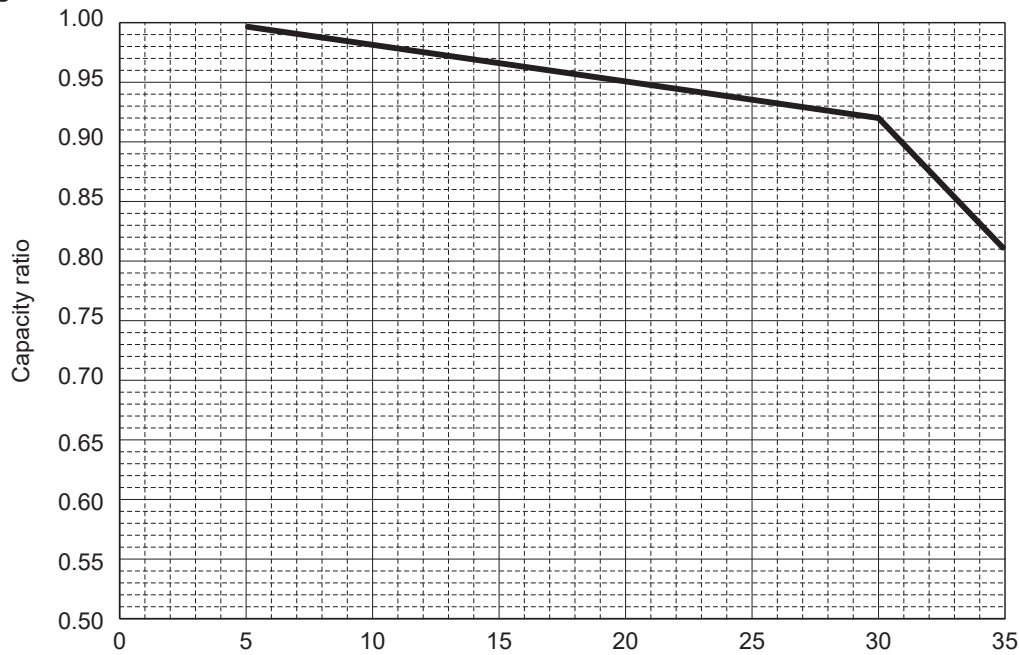


- PUD-SWM60VAA(-BS) PUD-SHWM60VAA(-BS) PUD-SWM80VAA(-BS) PUD-SHWM80VAA(-BS)
- PUD-SWM80YAA(-BS) PUD-SHWM80YAA(-BS) PUD-SWM100VAA(-BS) PUD-SHWM100VAA(-BS)
- PUD-SWM100YAA(-BS) PUD-SHWM100YAA(-BS) PUD-SWM120VAA(-BS) PUD-SHWM120VAA(-BS)
- PUD-SWM120YAA(-BS) PUD-SHWM120YAA(-BS)

<Method for obtaining the equivalent piping length>

$$\text{Equivalent length} = (\text{piping length}) + 0.3 \times (\text{number of bends in the piping})$$

<Heating>

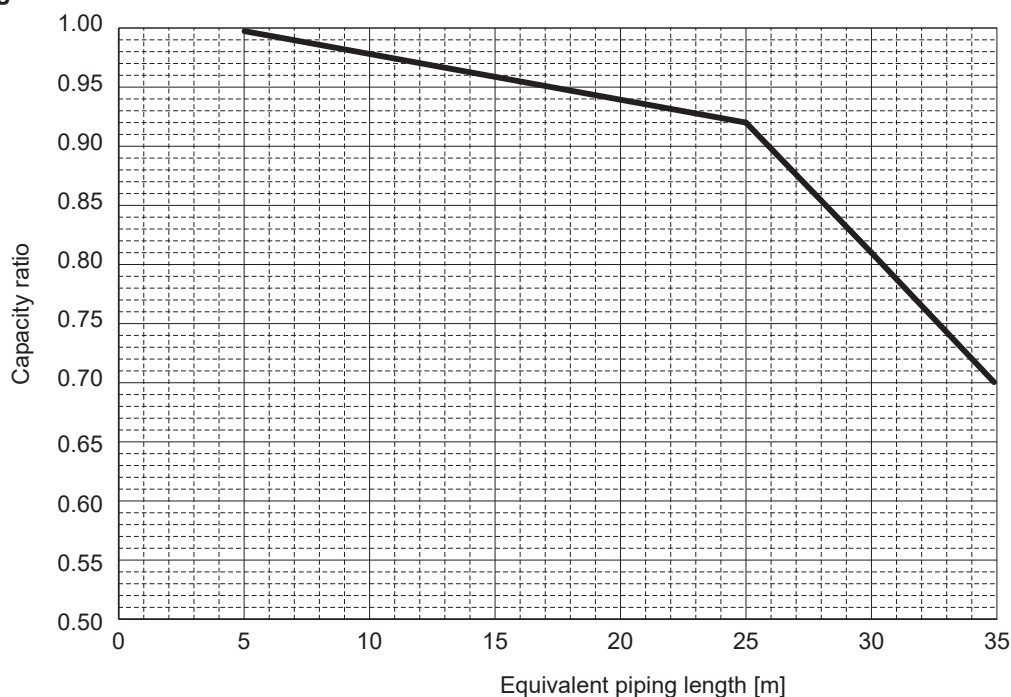


- PUD-SHWM140VAA(-BS) PUD-SHWM140YAA(-BS)

<Method for obtaining the equivalent piping length>

$$\text{Equivalent length} = (\text{piping length}) + 0.3 \times (\text{number of bends in the piping})$$

<Heating>

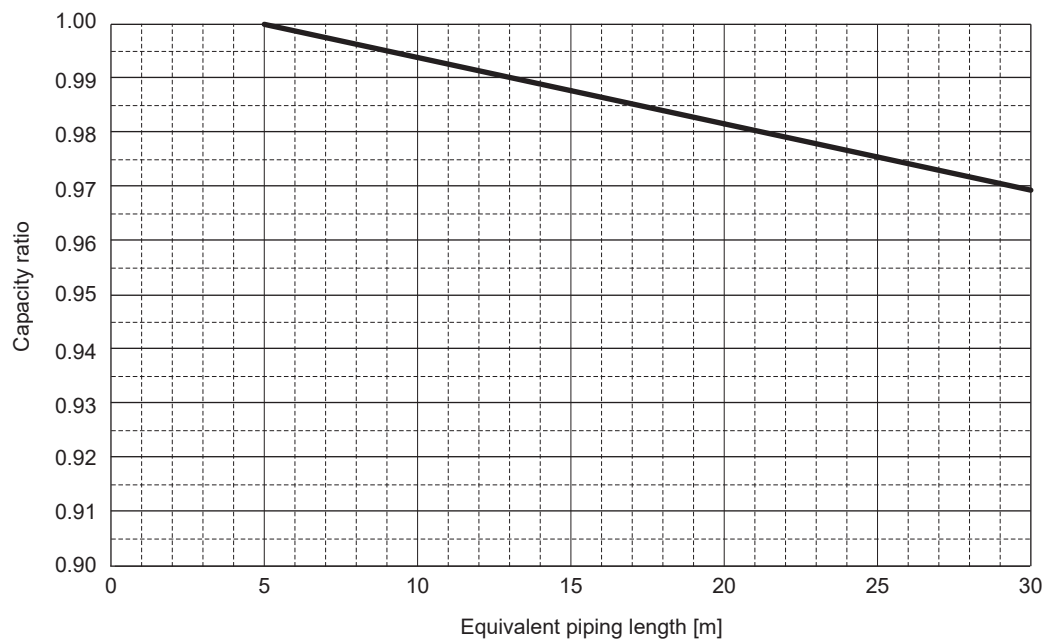


■ **PXZ-4F75VG**
PXZ-5F85VG

<Method for obtaining the equivalent piping length>

$$\text{Equivalent length} = (\text{piping length}^{*1}) + 0.3 \times (\text{number of bends in the piping})$$

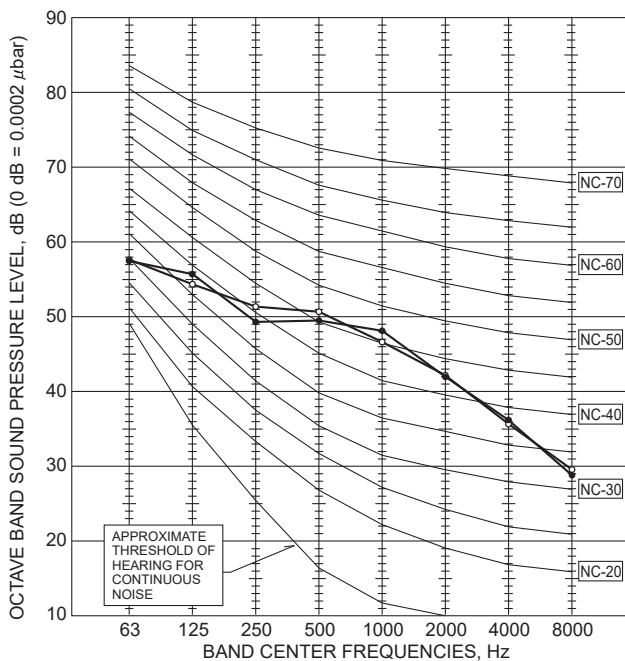
*1 Max piping length of PXZ series is 30m.



(1) Packaged-type units

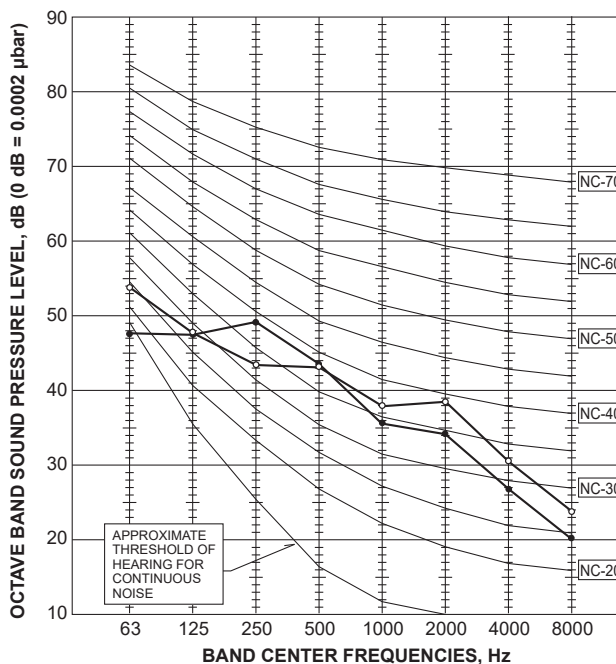
■ PUZ-WM50VHA(-BS)

MODE	SPL(dB)	LINE
COOLING	52	○—○
HEATING	52	●—●



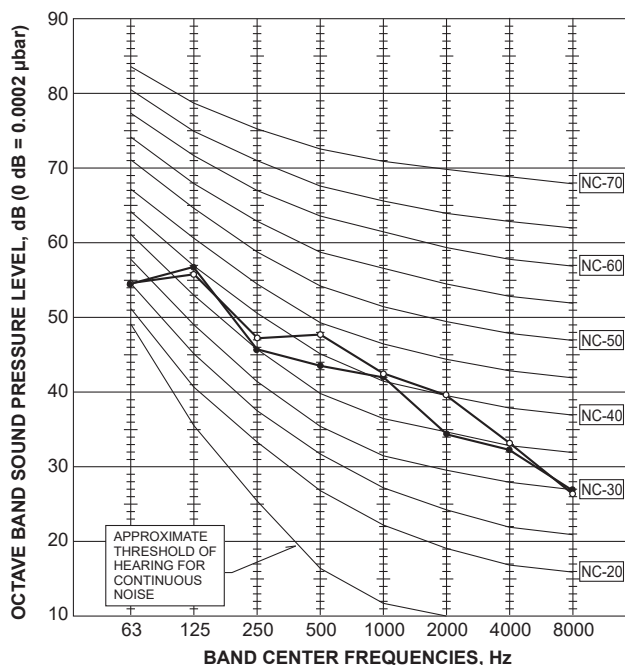
■ PUZ-WM60VAA(-BS) PUZ-WM85VAA(-BS) PUZ-WM85YAA(-BS)

MODE	SPL(dB)	LINE
COOLING	45	○—○
HEATING	45	●—●



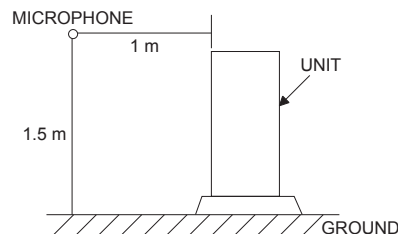
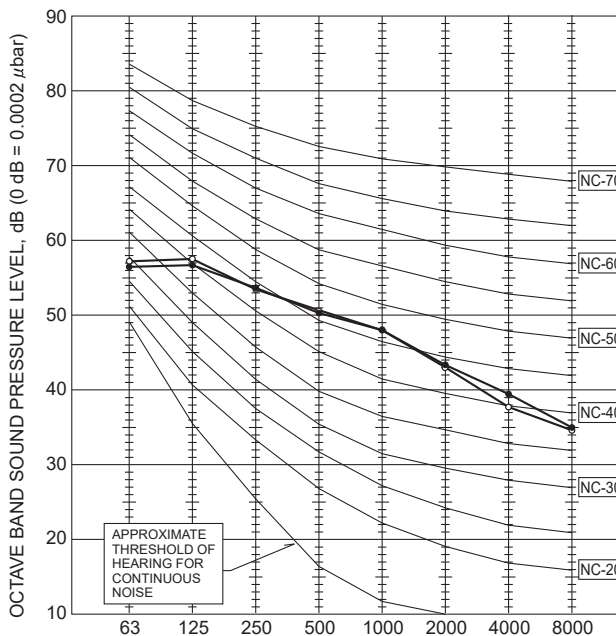
■ PUZ-WM112VAA(-BS) PUZ-WM112YAA(-BS)

MODE	SPL(dB)	LINE
COOLING	49	○—○
HEATING	47	●—●



■ PUZ-HWM140VHA(-BS) PUZ-HWM140YHA(-BS)

MODE	SPL(dB)	LINE
COOLING	53	○—○
HEATING	53	●—●



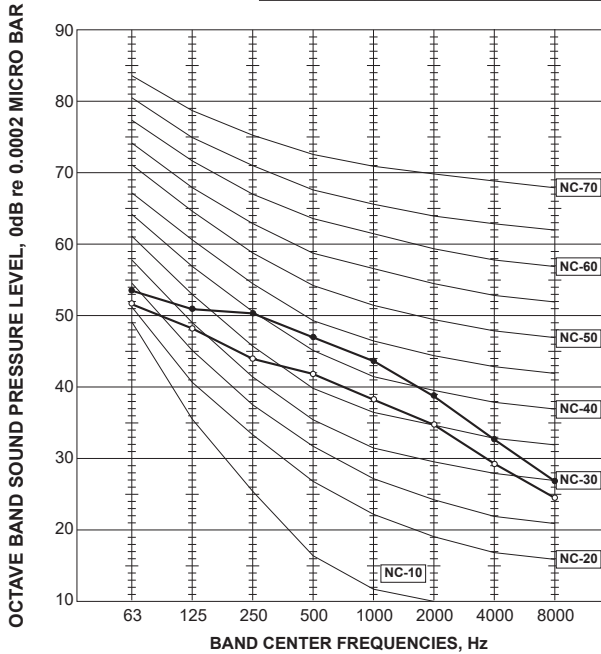
<Notes>

- 1) Sound data is taken when the system is running stably.
- 2) Relatively large noise could be heard transiently in the case 4-way valve, or LEV operates.

(2) Split-type units

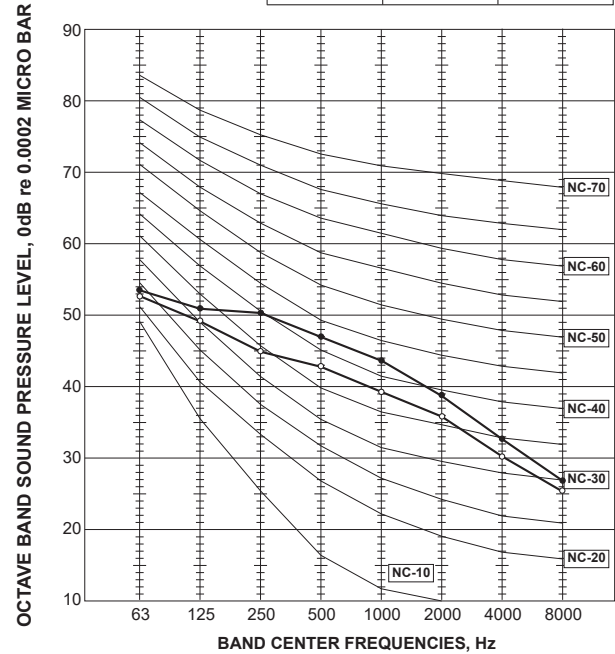
■ SUZ-SWM40VA

FUNCTION	SPL(dB(A))	LINE
COOLING	49	●—●
HEATING	44	○—○



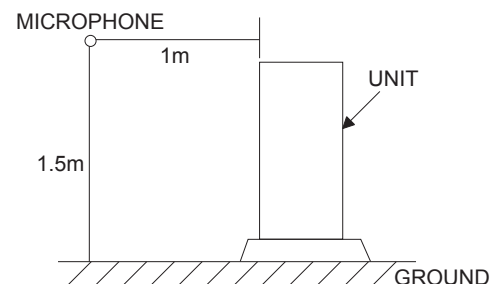
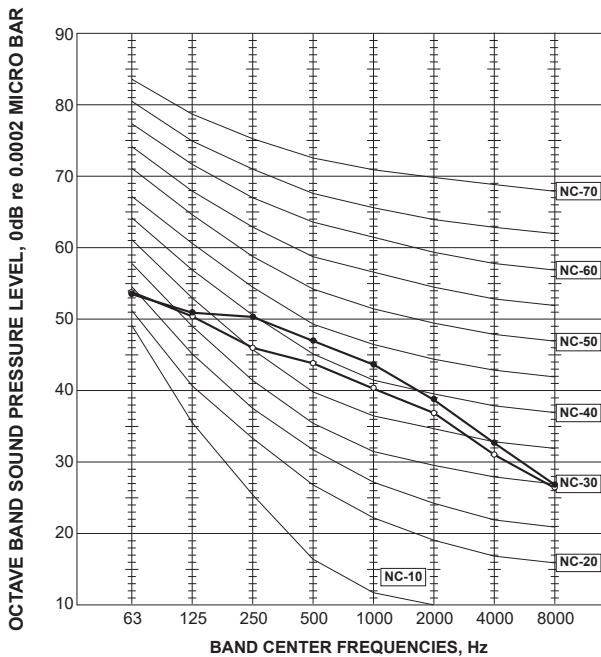
■ SUZ-SWM60VA

FUNCTION	SPL(dB(A))	LINE
COOLING	49	●—●
HEATING	45	○—○



■ SUZ-SWM80VA

FUNCTION	SPL(dB(A))	LINE
COOLING	49	●—●
HEATING	46	○—○

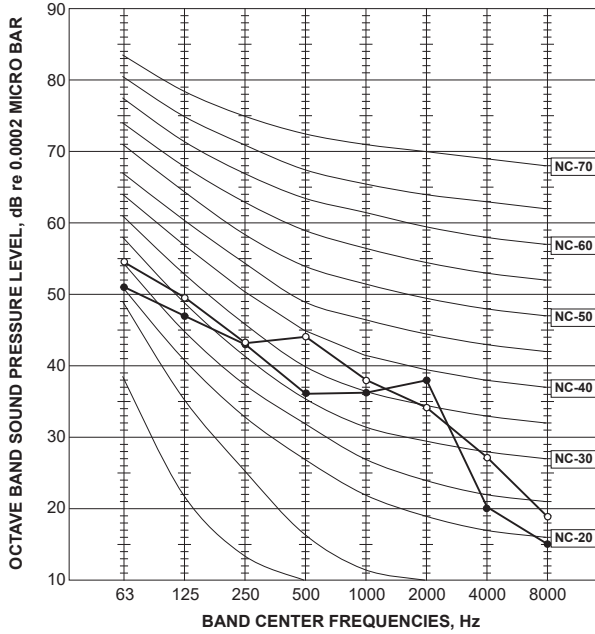


<Notes>

- 1) Sound data is taken when the system is running stably.
- 2) Relatively large noise could be heard transiently in the case 4-way valve, or LEV operates.

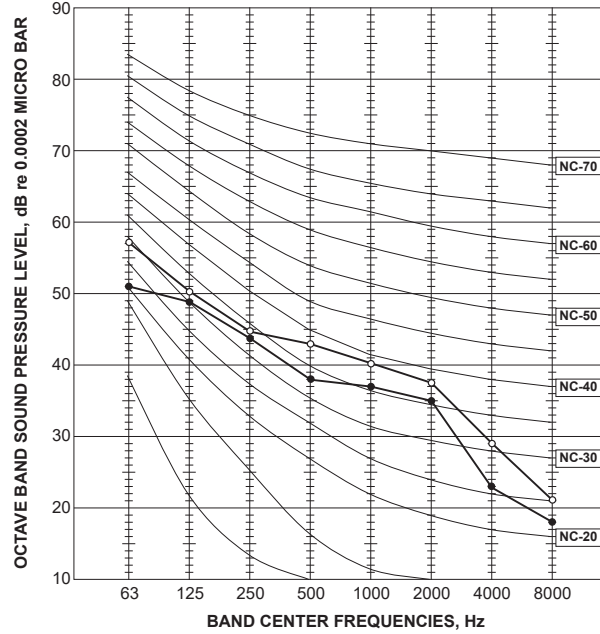
■ SUZ-S(H)WM30VA(H)

FUNCTION	SPL(dB(A))	LINE
COOLING	45	○—○
HEATING	43	●—●



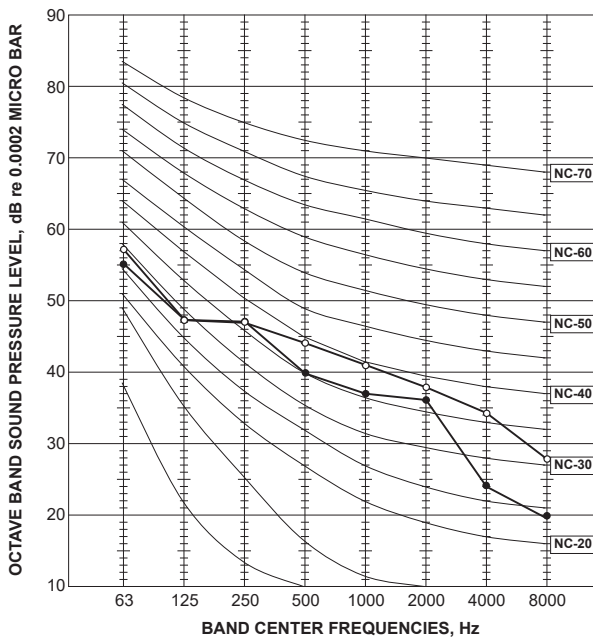
■ SUZ-SWM40VA2(-SC)

FUNCTION	SPL(dB(A))	LINE
COOLING	46	○—○
HEATING	43	●—●



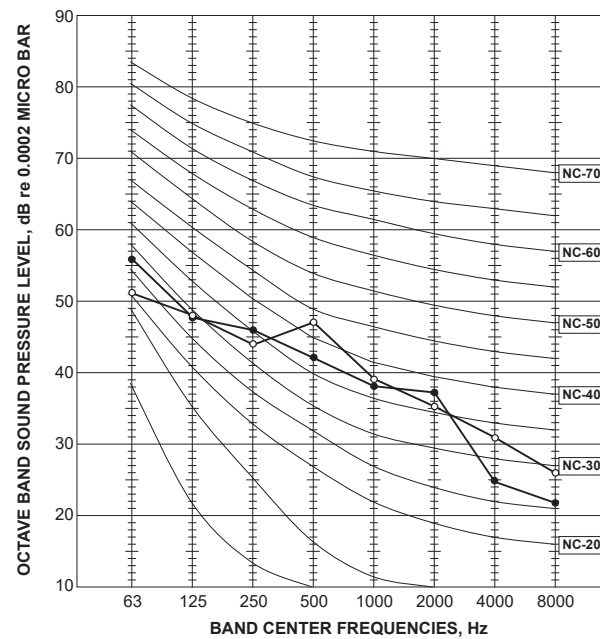
■ SUZ-SHWM40VAH(-SC)

FUNCTION	SPL(dB(A))	LINE
COOLING	47	○—○
HEATING	44	●—●



■ SUZ-SWM60VA2(-SC)

FUNCTION	SPL(dB(A))	LINE
COOLING	47	○—○
HEATING	45	●—●

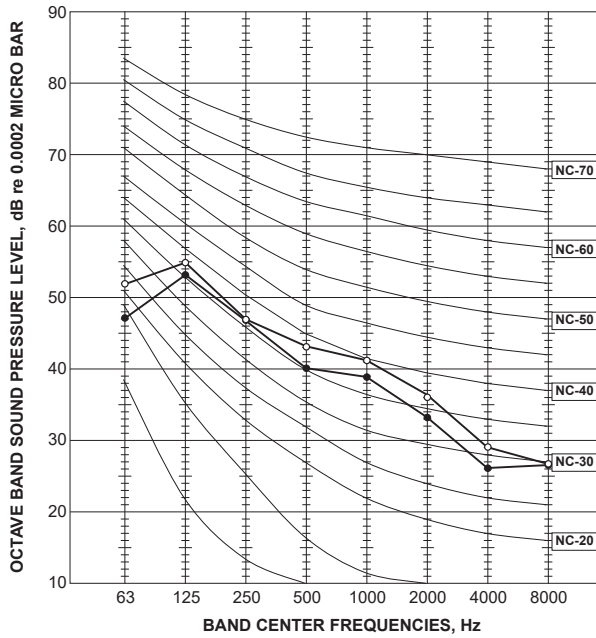


<Notes>

- 1) Sound data is taken when the system is running stably.
- 2) Relatively large noise could be heard transiently in the case 4-way valve, or LEV operates.

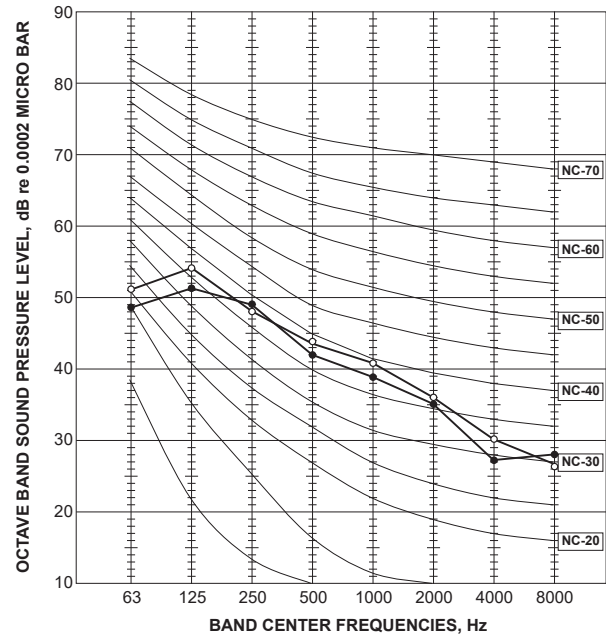
■ SUZ-SHWM60VAH(-SC)

FUNCTION	SPL(dB(A))	LINE
COOLING	47	○—○
HEATING	45	●—●



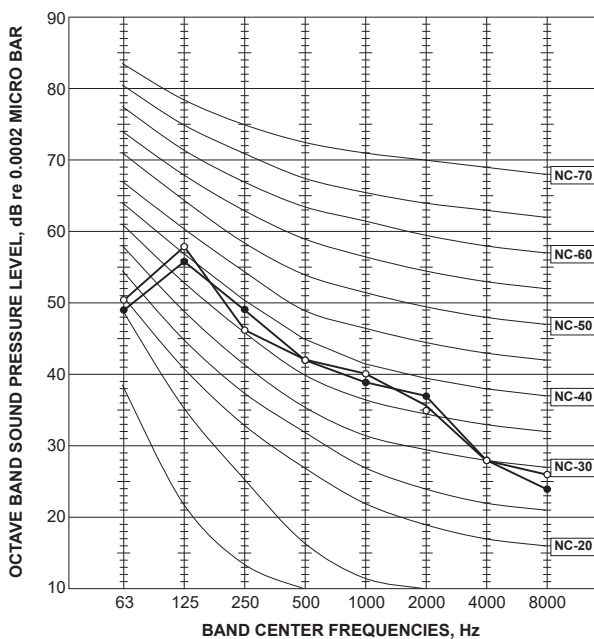
■ SUZ-SWM80VA(H)2

FUNCTION	SPL(dB(A))	LINE
COOLING	47	○—○
HEATING	46	●—●



■ SUZ-SWM100VA(H)

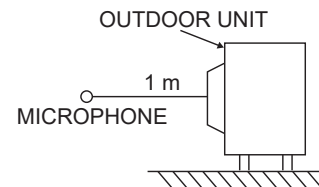
FUNCTION	SPL(dB(A))	LINE
COOLING	47	○—○
HEATING	47	●—●



Test conditions

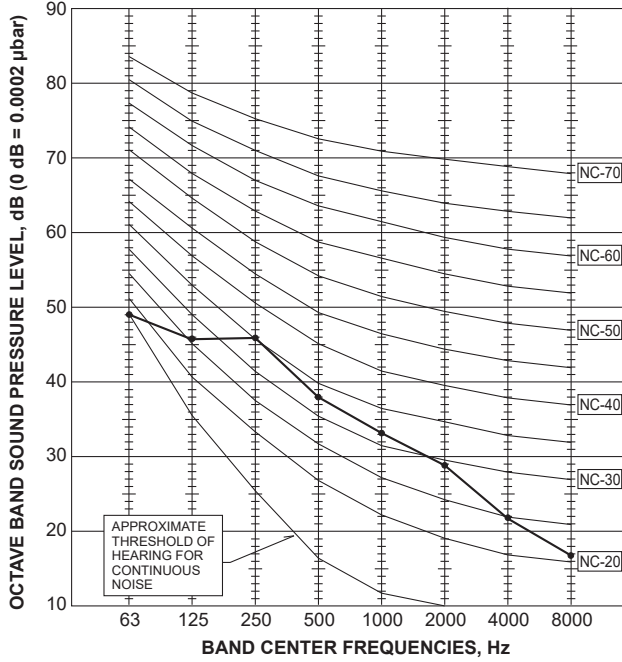
Cooling: Dry-bulb temperature 35°C

Heating: Dry-bulb temperature 7°C Wet-bulb temperature 6°C



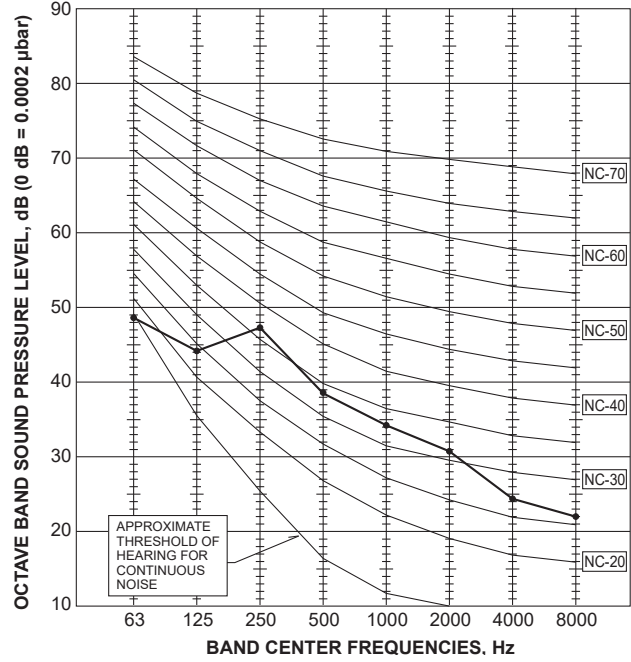
■ PUD-SWM60VAA(-BS)
PUD-SHWM60VAA(-BS)

MODE	SPL(dB)	LINE
HEATING	41	



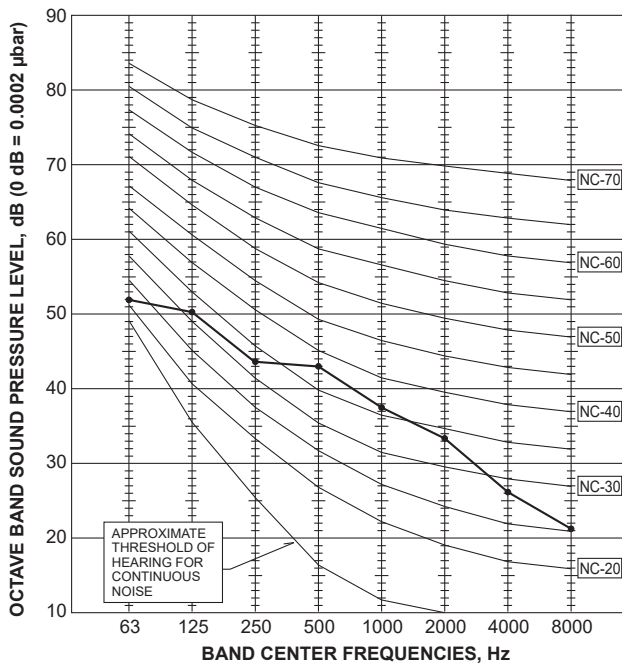
■ PUD-SWM80VAA(-BS)
PUD-SWM80YAA(-BS)
PUD-SHWM80VAA(-BS)
PUD-SHWM80YAA(-BS)

MODE	SPL(dB)	LINE
HEATING	42	



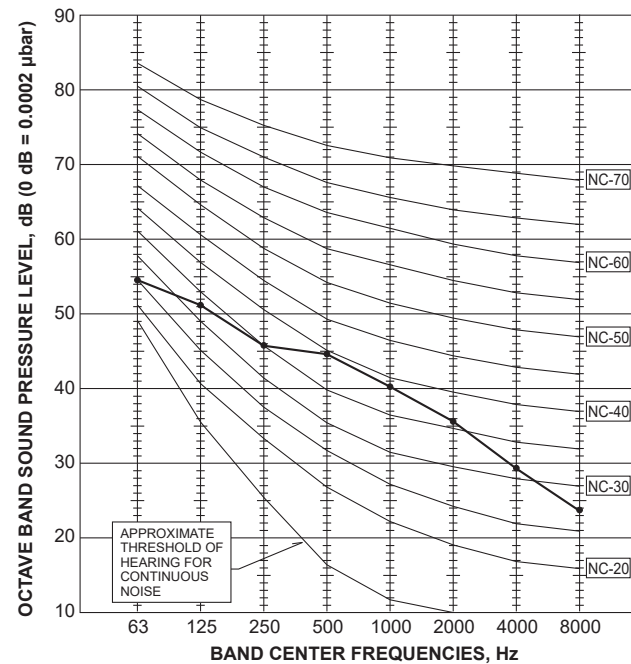
■ PUD-SWM100VAA(-BS)
PUD-SWM100YAA(-BS)
PUD-SHWM100VAA(-BS)
PUD-SHWM100YAA(-BS)

MODE	SPL(dB)	LINE
HEATING	44	



■ PUD-SWM120VAA(-BS)
PUD-SWM120YAA(-BS)
PUD-SHWM120VAA(-BS)
PUD-SHWM120YAA(-BS)

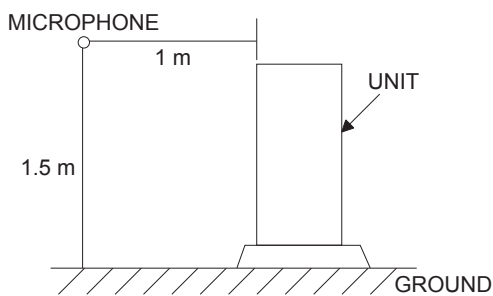
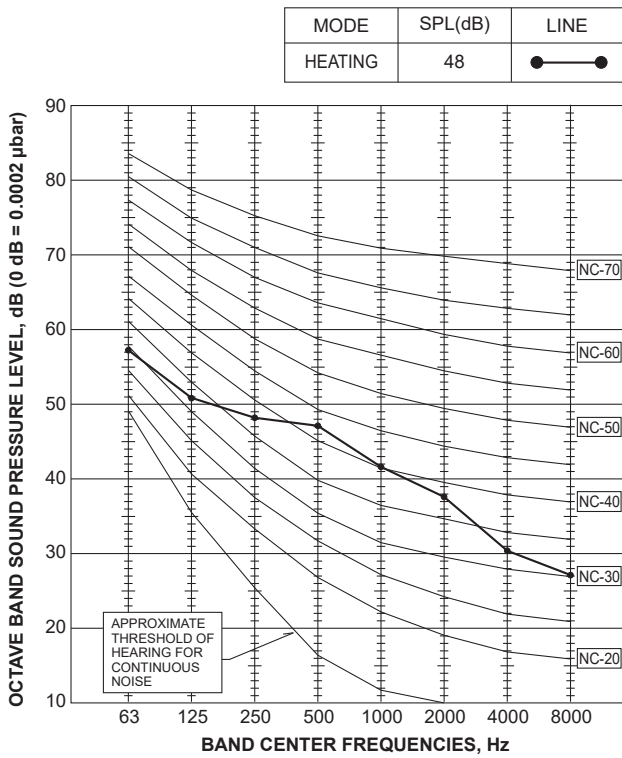
MODE	SPL(dB)	LINE
HEATING	46	



<Notes>

- 1) Sound data is taken when the system is running stably.
- 2) Relatively large noise could be heard transiently in the case 4-way valve, or LEV operates.

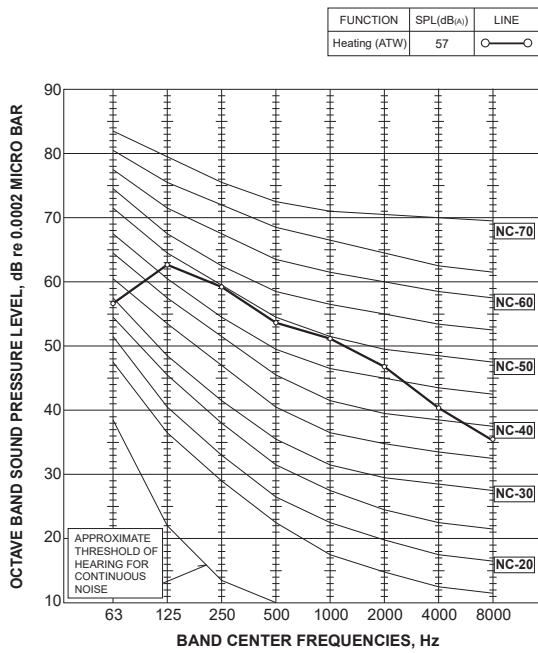
■ PUD-SHWM140VAA(-BS)
PUD-SHWM140YAA(-BS)



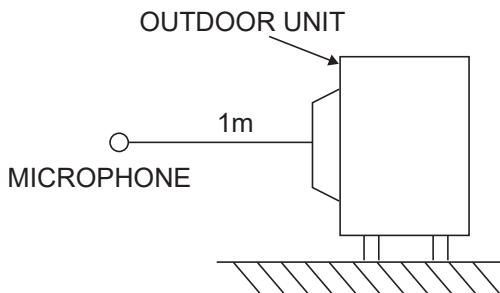
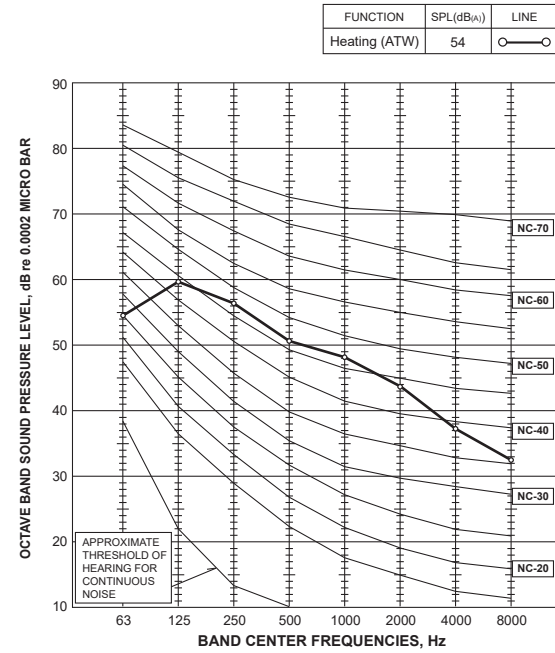
<Notes>

- 1) Sound data is taken when the system is running stably.
- 2) Relatively large noise could be heard transiently in the case 4-way valve, or LEV operates.

■ PXZ-4F75VG



■ PXZ-5F85VG

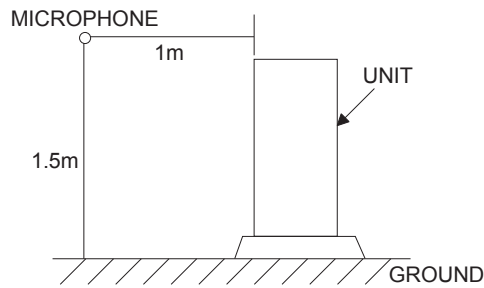


Test conditions

Heating: Dry-bulb temperature ••• 7.0°C

Wet-bulb temperature ••• 6.0°C

Annotation and measurement condition

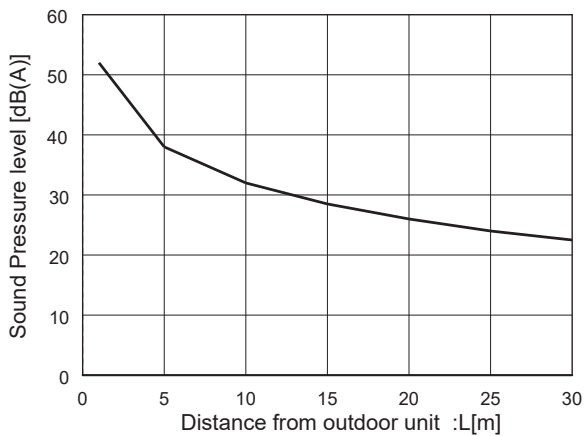


<Notes>

- 1) Sound data is taken when the system is running stably.
- 2) Relatively large noise could be heard transiently in the case 4-way valve, or LEV operates.
- 3) Sound reflection from ground and surrounding walls is not considered.

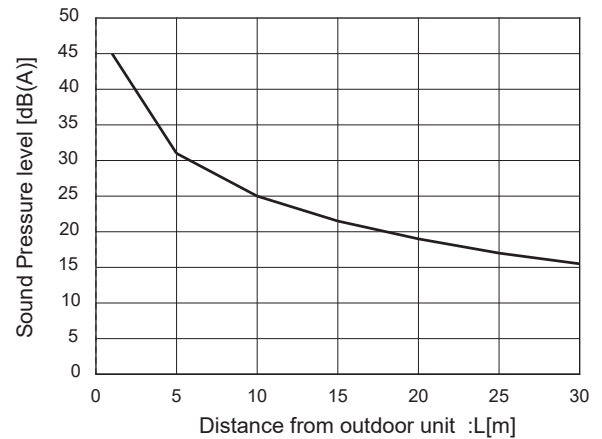
(1)Packaged-type units

■ **PUZ-WM50VHA(-BS)**

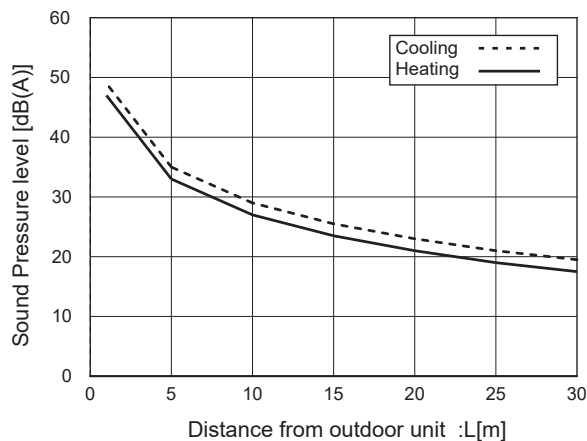


■ **PUZ-WM60VAA(-BS)**

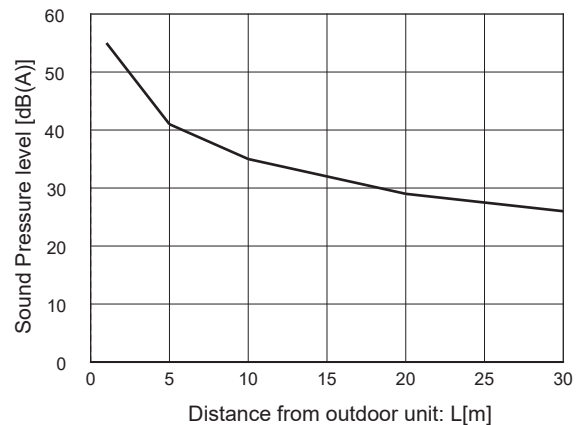
PUZ-WM85VAA(-BS)
PUZ-WM85YAA(-BS)



■ **PUZ-WM112VAA(-BS)**
PUZ-WM112YAA(-BS)



■ **PUZ-HWM140VHA(-BS)**
PUZ-HWM140YHA(-BS)



(2) Split-type units

Outdoor unit

■ SUZ-SWM40VA



■ SUZ-SWM60VA



■ SUZ-SWM80VA



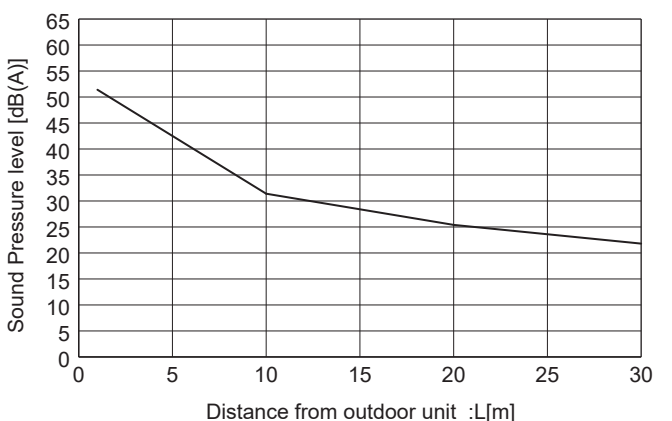
■ SUZ-SWM30VA
SUZ-SHWM30VAH
SUZ-SWM40VA2



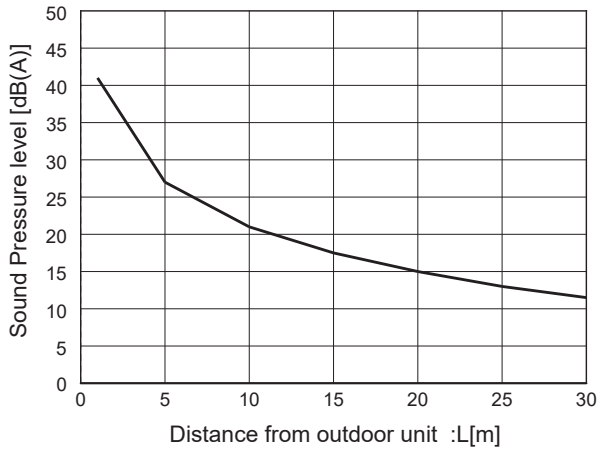
■ SUZ-SHWM40VAH
SUZ-SWM60VA2



■ SUZ-SHWM60VAH
SUZ-SWM80VA2(H)
SUZ-SWM100VA(H)



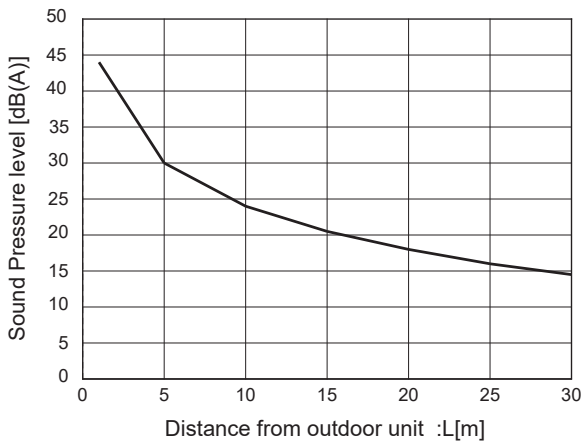
■ PUD-SWM60VAA(-BS)
PUD-SHWM60VAA(-BS)



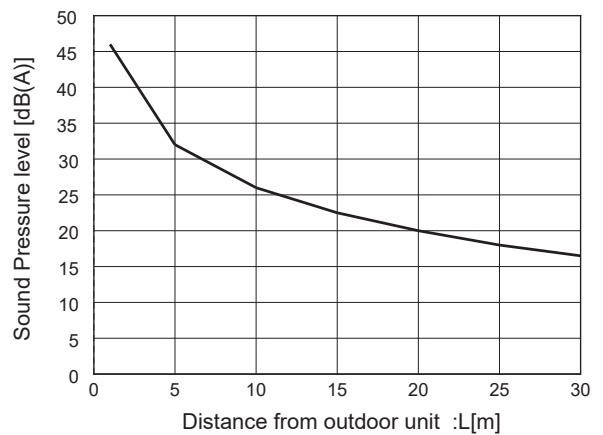
■ PUD-SWM80VAA(-BS)
PUD-SWM80YAA(-BS)
PUD-SHWM80VAA(-BS)
PUD-SHWM80YAA(-BS)



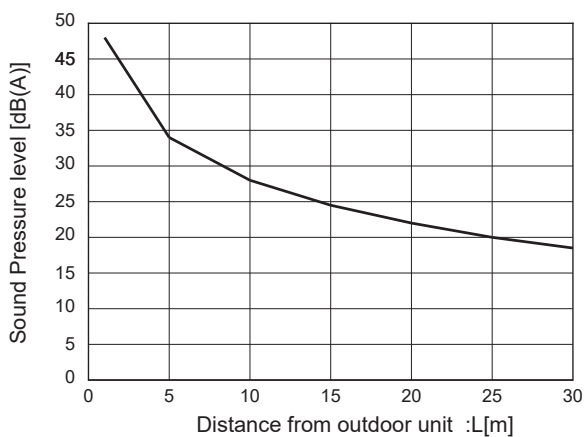
■ PUD-SWM100VAA(-BS)
PUD-SWM100YAA(-BS)
PUD-SHWM100VAA(-BS)
PUD-SHWM100YAA(-BS)



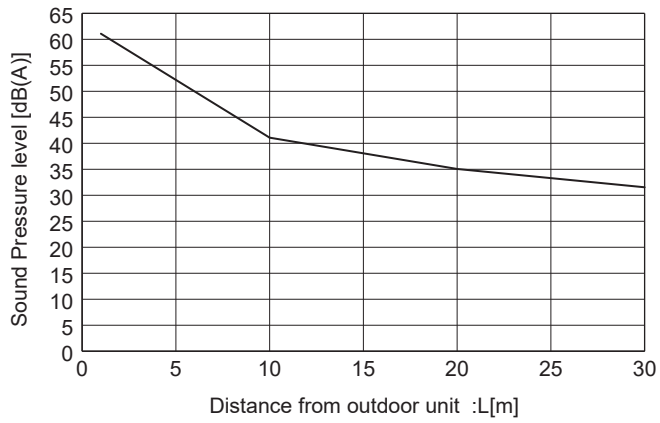
■ PUD-SWM120VAA(-BS)
PUD-SWM120YAA(-BS)
PUD-SHWM120VAA(-BS)
PUD-SHWM120YAA(-BS)



■ PUD-SHWM140VAA(-BS)
PUD-SHWM140YAA(-BS)



■ PXZ-4F75VG



■ PXZ-5F85VG



1.Type:

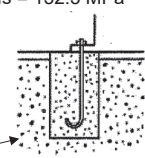
2.Model name:

3.Specification

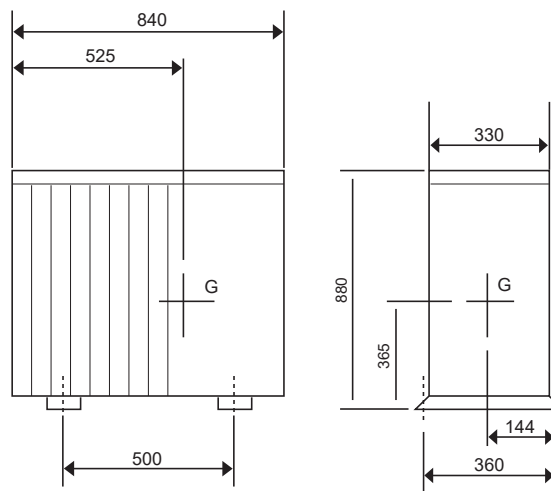
- | | |
|--|--|
| (1) Unit mass | W= <input type="text" value="54"/> kg |
| (2) Anchor bolt | |
| 1.The total number of bolts. | N= <input type="text" value="4"/> |
| 2.The size and shape. | "=M <input type="text" value="10"/> type |
| 3.The axis section area per one bolt. | A= <input type="text" value="78"/> mm ² = <input type="text" value="7.8E-05"/> m ² |
| 4.The total number of bolts in one side which be pulled stronger when the unit inverted. | Nt= <input type="text" value="2"/> |
| (3) The height between the installing surface and the center of gravity of the unit | Hg= <input type="text" value="365"/> mm= <input type="text" value="0.365"/> m |
| (4) The bolt-span from the examination angle | L= <input type="text" value="360"/> mm= <input type="text" value="0.360"/> m |
| (5) The distance between the center of bolt and the center of gravity of the unit | Lg= <input type="text" value="144"/> mm(Lg≤L/2)= <input type="text" value="0.144"/> m |

4.The examination calculation (by rounding off to the first decimal place of each item)

- | | |
|---|--|
| (1) The horizontal seismic coefficient for designing | Kh= <input type="text" value="1.0"/> |
| (2) The vertical seismic coefficient for designing | Kv=Kh/2= <input type="text" value="0.5"/> |
| (3) The horizontal earthquake forces for designing | Fh=Kh·W·9.8= <input type="text" value="529.2"/> N |
| (4) The vertical earthquake forces for designing | Fv=Kv·W·9.8= <input type="text" value="264.6"/> N |
| (5) The withdrawal strength of the anchor bolt | $R_b = \frac{F_h \cdot H_g - (W \cdot 9.8 - F_v) \cdot L_g}{L \cdot N_t}$
= <input type="text" value="215.4"/> N |
| (6) The shear forces of the anchor bolt | Q=Fh/N= <input type="text" value="132.3"/> N |
| (7) The stress arising to the anchor bolt | |
| 1.The tensile stress. | $\sigma = R_b/A =$ <input type="text" value="2.8"/> MPa < ft = 176.4 MPa |
| 2.The shearing stress. | $\tau = Q/A =$ <input type="text" value="1.7"/> MPa < fs = 132.3 MPa |
| 3.The stress when affected by both the shearing and the tensile at the same time. | fts=1.4ft-1.6τ = <input type="text" value="244.2"/> MPa
$\sigma =$ <input type="text" value="2.8"/> MPa < fts= <input type="text" value="176.4"/> MPa |
| (8) The construction way of the anchor bolt | |
| 1.The construction way of the anchor bolt. | = <input type="text" value="Boxed J type anchor"/> |
| 2.The thickness of the concrete. | = <input type="text" value="120"/> mm = <input type="text" value="0.120"/> m |
| 3.The length of buried part of bolt. | = <input type="text" value="70"/> mm = <input type="text" value="0.070"/> m |
| 4.The permissible withdrawal weight. | Ta= <input type="text" value="3136"/> N > Rb= <input type="text" value="215.4"/> N |



Since the results from the examination above, the anchor bolt has enough strength



1.Type:

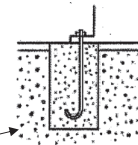
2.Model name:

3.Specification

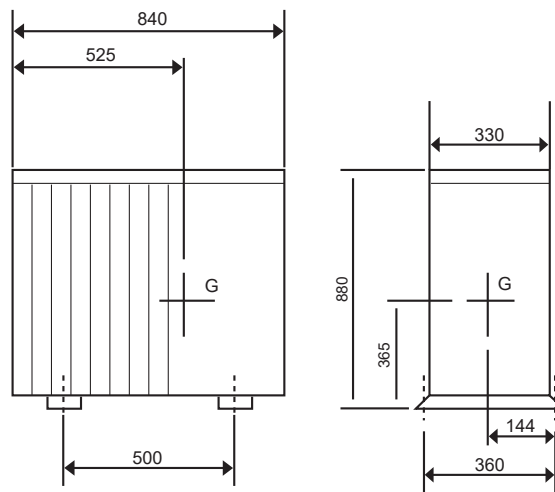
- | | |
|--|--|
| (1) Unit mass | W= <input type="text" value="40"/> kg |
| (2) Anchor bolt | |
| 1.The total number of bolts. | N= <input type="text" value="4"/> |
| 2.The size and shape. | "=M <input type="text" value="10"/> type |
| 3.The axis section area per one bolt. | A= <input type="text" value="78"/> mm ² = <input type="text" value="7.8E-05"/> m ² |
| 4.The total number of bolts in one side which be pulled stronger when the unit inverted. | Nt= <input type="text" value="2"/> |
| (3) The height between the installing surface and the center of gravity of the unit | Hg= <input type="text" value="340"/> mm= <input type="text" value="0.34"/> m |
| (4) The bolt-span from the examination angle | L= <input type="text" value="290"/> mm= <input type="text" value="0.29"/> m |
| (5) The distance between the center of bolt and the center of gravity of the unit | Lg= <input type="text" value="140"/> mm(Lg≤L/2)= <input type="text" value="0.14"/> m |

4.The examination calculation (by rounding off to the first decimal place of each item)

- | | |
|--|---|
| (1) The horizontal seismic coefficient for designing | Kh= <input type="text" value="1.0"/> |
| (2) The vertical seismic coefficient for designing | Kv=Kh/2= <input type="text" value="0.5"/> |
| (3) The horizontal earthquake forces for designing | Fh=Kh·W·9.8= <input type="text" value="392.0"/> N |
| (4) The vertical earthquake forces for designing | Fv=Kv·W·9.8= <input type="text" value="196.0"/> N |
| (5) The withdrawal strength of the anchor bolt | $R_b = \frac{F_h \cdot H_g - (W \cdot 9.8 - F_v) \cdot L_g}{L \cdot N_t}$
= <input type="text" value="182.5"/> N |
| (6) The shear forces of the anchor bolt | Q=Fh/N= <input type="text" value="98.0"/> N |
| (7) The stress arising to the anchor bolt | |
| 1.The tensile stress. | $\sigma = R_b/A =$ <input type="text" value="2.3"/> MPa < ft = 176.4 MPa |
| 2.The shearing stress. | $\tau = Q/A =$ <input type="text" value="1.3"/> MPa < fs = 132.3 MPa |
| 3.The stress when affected by both the shearing and the tensile at the same time. fts=1.4ft-1.6τ | = <input type="text" value="244.9"/> MPa
< fts= <input type="text" value="176.4"/> MPa |
| (8) The construction way of the anchor bolt | |
| 1.The construction way of the anchor bolt. | = <input type="text" value="Boxed J type anchor"/> |
| 2.The thickness of the concrete. | = <input type="text" value="120"/> mm = <input type="text" value="0.120"/> m |
| 3.The length of buried part of bolt. | = <input type="text" value="70"/> mm = <input type="text" value="0.070"/> m |
| 4.The permissible withdrawal weight. | Ta= <input type="text" value="3136"/> N > Rb= <input type="text" value="182.5"/> N |



Since the results from the examination above, the anchor bolt has enough strength



1.Type:

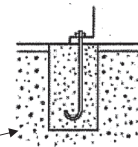
2.Model name:

3.Specification

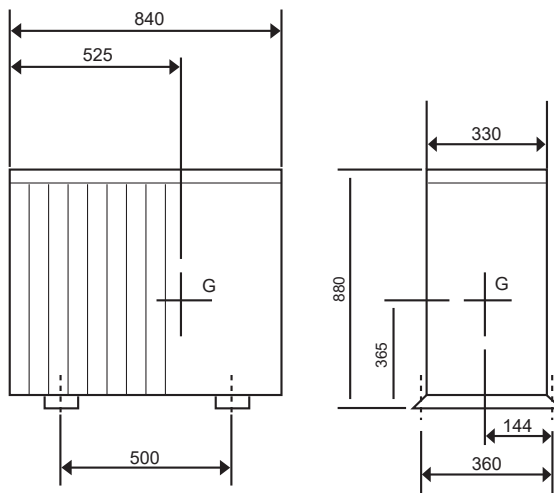
- | | | | |
|--|-----|-----------------------------------|--|
| (1) Unit mass | W= | <input type="text" value="53.5"/> | kg |
| (2) Anchor bolt | | | |
| 1.The total number of bolts. | N= | <input type="text" value="4"/> | |
| 2.The size and shape. | "=M | <input type="text" value="10"/> | type |
| 3.The axis section area per one bolt. | A= | <input type="text" value="78"/> | mm ² = <input type="text" value="7.8E-05"/> |
| 4.The total number of bolts in one side which be pulled stronger when the unit inverted. | Nt= | <input type="text" value="2"/> | |
| (3) The height between the installing surface and the center of gravity of the unit | Hg= | <input type="text" value="390"/> | mm= <input type="text" value="0.39"/> |
| (4) The bolt-span from the examination angle | L= | <input type="text" value="330"/> | mm= <input type="text" value="0.33"/> |
| (5) The distance between the center of bolt and the center of gravity of the unit | Lg= | <input type="text" value="150"/> | mm(Lg≤L/2)= <input type="text" value="0.15"/> |

4.The examination calculation (by rounding off to the first decimal place of each item)

- | | | | |
|---|---|--|--|
| (1) The horizontal seismic coefficient for designing | Kh= | <input type="text" value="1.0"/> | |
| (2) The vertical seismic coefficient for designing | Kv=Kh/2= | <input type="text" value="0.5"/> | |
| (3) The horizontal earthquake forces for designing | Fh=Kh·W·9.8= | <input type="text" value="524.3"/> | N |
| (4) The vertical earthquake forces for designing | Fv=Kv·W·9.8= | <input type="text" value="262.2"/> | N |
| (5) The withdrawal strength of the anchor bolt | $R_b = \frac{F_h \cdot H_g - (W \cdot 9.8 - F_v) \cdot L_g}{L \cdot N_t}$ | <input type="text" value="250.2"/> | N |
| (6) The shear forces of the anchor bolt | Q=Fh/N= | <input type="text" value="131.1"/> | N |
| (7) The stress arising to the anchor bolt | | | |
| 1.The tensile stress. | $\sigma = R_b/A =$ | <input type="text" value="3.2"/> | MPa < ft = 176.4 MPa |
| 2.The shearing stress. | $\tau = Q/A =$ | <input type="text" value="1.7"/> | MPa < fs = 132.3 MPa |
| 3.The stress when affected by both the shearing and the tensile at the same time. fts=1.4ft-1.6 τ = | <input type="text" value="244.3"/> | MPa | |
| | $\sigma =$ | <input type="text" value="3.2"/> | MPa |
| | < fts= | <input type="text" value="176.4"/> | MPa |
| (8) The construction way of the anchor bolt | | | |
| 1.The construction way of the anchor bolt. | = | <input type="text" value="Boxed J type anchor"/> | |
| 2.The thickness of the concrete. | = | <input type="text" value="120"/> | mm = <input type="text" value="0.120"/> |
| 3.The length of buried part of bolt. | = | <input type="text" value="70"/> | mm = <input type="text" value="0.070"/> |
| 4.The permissible withdrawal weight. | Ta= | <input type="text" value="3136"/> | N > Rb= <input type="text" value="250.2"/> |



Since the results from the examination above, the anchor bolt has enough strength



1.Type:

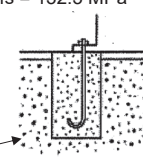
2.Model name:

3.Specification

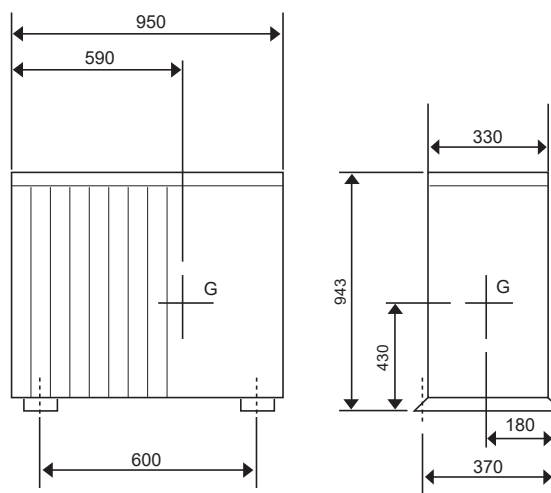
- | | |
|--|---|
| (1) Unit mass | W= <input type="text" value="71"/> kg |
| (2) Anchor bolt | |
| 1.The total number of bolts. | N= <input type="text" value="4"/> |
| 2.The size and shape. | "=M <input type="text" value="10"/> type |
| 3.The axis section area per one bolt. | A= <input type="text" value="78"/> mm ² = <input type="text" value="78 × 10<sup>-6"/> "/> m ² |
| 4.The total number of bolts in one side which be pulled stronger when the unit inverted. | Nt= <input type="text" value="2"/> |
| (3) The height between the installing surface and the center of gravity of the unit | Hg= <input type="text" value="430"/> mm= <input type="text" value="0.430"/> m |
| (4) The bolt-span from the examination angle | L= <input type="text" value="370"/> mm= <input type="text" value="0.370"/> m |
| (5) The distance between the center of bolt and the center of gravity of the unit | Lg= <input type="text" value="180"/> mm(Lg ≤ L/2)= <input type="text" value="0.180"/> m |

4.The examination calculation (by rounding off to the first decimal place of each item)

- | | |
|---|---|
| (1) The horizontal seismic coefficient for designing | Kh= <input type="text" value="1.0"/> |
| (2) The vertical seismic coefficient for designing | Kv=Kh/2= <input type="text" value="0.5"/> |
| (3) The horizontal earthquake forces for designing | Fh=Kh·W·9.8= <input type="text" value="695.8"/> N |
| (4) The vertical earthquake forces for designing | Fv=Kv·W·9.8= <input type="text" value="347.9"/> N |
| (5) The withdrawal strength of the anchor bolt | $R_b = \frac{F_h \cdot H_g - (W \cdot 9.8 - F_v) \cdot L_g}{L \cdot N_t}$
= <input type="text" value="319.7"/> N |
| (6) The shear forces of the anchor bolt | Q=Fh/N= <input type="text" value="174.0"/> N |
| (7) The stress arising to the anchor bolt | |
| 1.The tensile stress. | $\sigma = R_b/A =$ <input type="text" value="4.1"/> MPa < ft = 176.4 MPa |
| 2.The shearing stress. | $\tau = Q/A =$ <input type="text" value="2.2"/> MPa < fs = 132.3 MPa |
| 3.The stress when affected by both the shearing and the tensile at the same time. fts=1.4ft-1.6 τ = | <input type="text" value="243.4"/> MPa |
| | $\sigma =$ <input type="text" value="4.1"/> MPa < fts= <input type="text" value="243.4"/> MPa |
| (8) The construction way of the anchor bolt | |
| 1.The construction way of the anchor bolt. | = <input type="text" value="Boxed J type anchor"/> |
| 2.The thickness of the concrete. | = <input type="text" value="120"/> mm = <input type="text" value="0.120"/> m |
| 3.The length of buried part of bolt. | = <input type="text" value="70"/> mm = <input type="text" value="0.070"/> m |
| 4.The permissible withdrawal weight. | Ta= <input type="text" value="3136"/> N > Rb= <input type="text" value="320"/> N |



Since the results from the examination above, the anchor bolt has enough strength



1.Type:

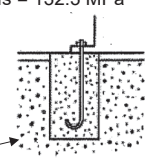
2.Model name:

3.Specification

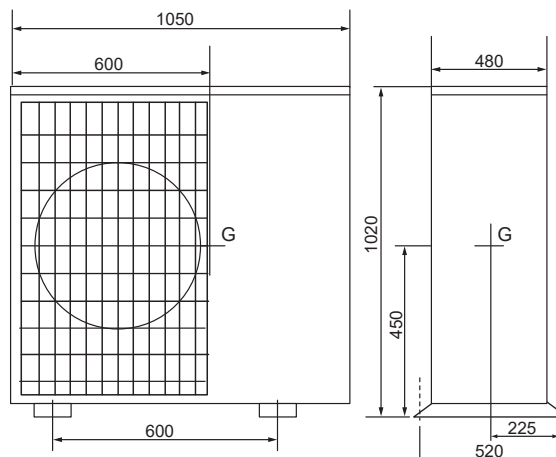
- | | | | |
|--|-----|----------------------------------|--|
| (1) Unit mass | W= | <input type="text" value="98"/> | kg |
| (2) Anchor bolt | | | |
| 1.The total number of bolts. | N= | <input type="text" value="4"/> | |
| 2.The size and shape. | "=M | <input type="text" value="10"/> | type |
| 3.The axis section area per one bolt. | A= | <input type="text" value="78"/> | mm ² = <input type="text" value="78 × 10<sup>-6"/> "/> m ² |
| 4.The total number of bolts in one side which be pulled stronger when the unit inverted. | Nt= | <input type="text" value="2"/> | |
| (3) The height between the installing surface and the center of gravity of the unit | Hg= | <input type="text" value="450"/> | mm= <input type="text" value="0.450"/> m |
| (4) The bolt-span from the examination angle | L= | <input type="text" value="520"/> | mm= <input type="text" value="0.520"/> m |
| (5) The distance between the center of bolt and the center of gravity of the unit | Lg= | <input type="text" value="225"/> | mm(Lg ≤ L/2)= <input type="text" value="0.225"/> m |

4.The examination calculation (by rounding off to the first decimal place of each item)

- | | | | | |
|--|---|--|--|-----|
| (1) The horizontal seismic coefficient for designing | Kh= | <input type="text" value="1.0"/> | | |
| (2) The vertical seismic coefficient for designing | Kv=Kh/2= | <input type="text" value="0.5"/> | | |
| (3) The horizontal earthquake forces for designing | Fh=Kh·W·9.8= | <input type="text" value="960.4"/> | N | |
| (4) The vertical earthquake forces for designing | Fv=Kv·W·9.8= | <input type="text" value="480.2"/> | N | |
| (5) The withdrawal strength of the anchor bolt | $R_b = \frac{F_h \cdot H_g - (W \cdot 9.8 - F_v) \cdot L_g}{L \cdot N_t}$ | = | <input type="text" value="311.7"/> | N |
| (6) The shear forces of the anchor bolt | Q=Fh/N= | <input type="text" value="240.1"/> | N | |
| (7) The stress arising to the anchor bolt | | | | |
| 1.The tensile stress. | $\sigma = R_b/A =$ | <input type="text" value="4.0"/> | MPa < ft = 176.4 MPa | |
| 2.The shearing stress. | $\tau = Q/A =$ | <input type="text" value="3.1"/> | MPa < fs = 132.3 MPa | |
| 3.The stress when affected by both the shearing and the tensile at the same time. $f_{ts} = 1.4ft - 1.6\tau =$ | $\sigma =$ | <input type="text" value="4.0"/> | MPa | |
| | | $< f_{ts} =$ | <input type="text" value="242.0"/> | MPa |
| (8) The construction way of the anchor bolt | | | | |
| 1.The construction way of the anchor bolt. | = | <input type="text" value="Boxed J type anchor"/> | | |
| 2.The thickness of the concrete. | = | <input type="text" value="120"/> | mm = <input type="text" value="0.120"/> m | |
| 3.The length of buried part of bolt. | = | <input type="text" value="70"/> | mm = <input type="text" value="0.070"/> m | |
| 4.The permissible withdrawal weight. | Ta= | <input type="text" value="3136"/> | N > Rb= <input type="text" value="312"/> N | |



Since the results from the examination above, the anchor bolt has enough strength



1.Type:

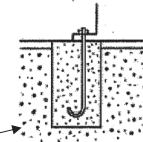
2.Model name:

3.Specification

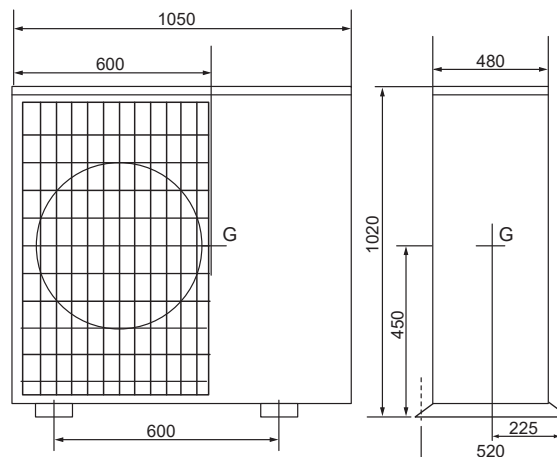
- | | |
|--|---|
| (1) Unit mass | W= <input type="text" value="111"/> kg |
| (2) Anchor bolt | |
| 1.The total number of bolts. | N= <input type="text" value="4"/> |
| 2.The size and shape. | "=M <input type="text" value="10"/> type |
| 3.The axis section area per one bolt. | A= <input type="text" value="78"/> mm ² = <input type="text" value="78 × 10<sup>-6"/> "/> m ² |
| 4.The total number of bolts in one side which be pulled stronger when the unit inverted. | Nt= <input type="text" value="2"/> |
| (3) The height between the installing surface and the center of gravity of the unit | Hg= <input type="text" value="450"/> mm= <input type="text" value="0.450"/> m |
| (4) The bolt-span from the examination angle | L= <input type="text" value="520"/> mm= <input type="text" value="0.520"/> m |
| (5) The distance between the center of bolt and the center of gravity of the unit | Lg= <input type="text" value="225"/> mm(Lg ≤ L/2)= <input type="text" value="0.225"/> m |

4.The examination calculation (by rounding off to the first decimal place of each item)

- | | |
|---|---|
| (1) The horizontal seismic coefficient for designing | Kh= <input type="text" value="1.0"/> |
| (2) The vertical seismic coefficient for designing | Kv=Kh/2= <input type="text" value="0.5"/> |
| (3) The horizontal earthquake forces for designing | Fh=Kh·W·9.8= <input type="text" value="1087.8"/> N |
| (4) The vertical earthquake forces for designing | Fv=Kv·W·9.8= <input type="text" value="543.9"/> N |
| (5) The withdrawal strength of the anchor bolt | $R_b = \frac{F_h \cdot H_g - (W \cdot 9.8 - F_v) \cdot L_g}{L \cdot N_t}$
= <input type="text" value="353.0"/> N |
| (6) The shear forces of the anchor bolt | Q=Fh/N= <input type="text" value="272.0"/> N |
| (7) The stress arising to the anchor bolt | |
| 1.The tensile stress. | $\sigma = R_b/A =$ <input type="text" value="4.5"/> MPa < $f_t = 176.4$ MPa |
| 2.The shearing stress. | $\tau = Q/A =$ <input type="text" value="3.5"/> MPa < $f_s = 132.3$ MPa |
| 3.The stress when affected by both the shearing and the tensile at the same time. $f_{ts} = 1.4f_t - 1.6\tau$ | <input type="text" value="241.4"/> MPa
< $f_{ts} =$ <input type="text" value="241.4"/> MPa |
| (8) The construction way of the anchor bolt | |
| 1.The construction way of the anchor bolt. | = <input type="text" value="Boxed J type anchor"/> |
| 2.The thickness of the concrete. | = <input type="text" value="120"/> mm = <input type="text" value="0.120"/> m |
| 3.The length of buried part of bolt. | = <input type="text" value="70"/> mm = <input type="text" value="0.070"/> m |
| 4.The permissible withdrawal weight. | Ta= <input type="text" value="3136"/> N > Rb= <input type="text" value="353"/> N |



Since the results from the examination above, the anchor bolt has enough strength



1.Type:

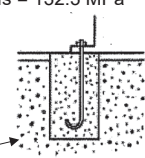
2.Model name:

3.Specification

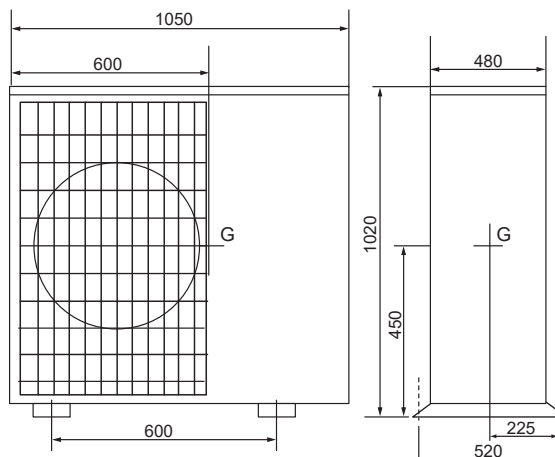
- | | | | |
|--|-----|----------------------------------|--|
| (1) Unit mass | W= | <input type="text" value="119"/> | kg |
| (2) Anchor bolt | | | |
| 1.The total number of bolts. | N= | <input type="text" value="4"/> | |
| 2.The size and shape. | "=M | <input type="text" value="10"/> | type |
| 3.The axis section area per one bolt. | A= | <input type="text" value="78"/> | mm ² = <input type="text" value="78 × 10<sup>-6"/> "/> m ² |
| 4.The total number of bolts in one side which be pulled stronger when the unit inverted. | Nt= | <input type="text" value="2"/> | |
| (3) The height between the installing surface and the center of gravity of the unit | Hg= | <input type="text" value="450"/> | mm= <input type="text" value="0.450"/> m |
| (4) The bolt-span from the examination angle | L= | <input type="text" value="520"/> | mm= <input type="text" value="0.520"/> m |
| (5) The distance between the center of bolt and the center of gravity of the unit | Lg= | <input type="text" value="225"/> | mm(Lg ≤ L/2)= <input type="text" value="0.225"/> m |

4.The examination calculation (by rounding off to the first decimal place of each item)

- | | | | | |
|--|---|--|--|-----|
| (1) The horizontal seismic coefficient for designing | Kh= | <input type="text" value="1.0"/> | | |
| (2) The vertical seismic coefficient for designing | Kv=Kh/2= | <input type="text" value="0.5"/> | | |
| (3) The horizontal earthquake forces for designing | Fh=Kh·W·9.8= | <input type="text" value="1166.2"/> | N | |
| (4) The vertical earthquake forces for designing | Fv=Kv·W·9.8= | <input type="text" value="583.1"/> | N | |
| (5) The withdrawal strength of the anchor bolt | $R_b = \frac{F_h \cdot H_g - (W \cdot 9.8 - F_v) \cdot L_g}{L \cdot N_t}$ | = | <input type="text" value="378.5"/> | N |
| (6) The shear forces of the anchor bolt | Q=Fh/N= | <input type="text" value="291.6"/> | N | |
| (7) The stress arising to the anchor bolt | | | | |
| 1.The tensile stress. | $\sigma = R_b/A =$ | <input type="text" value="4.9"/> | MPa < ft = 176.4 MPa | |
| 2.The shearing stress. | $\tau = Q/A =$ | <input type="text" value="3.7"/> | MPa < fs = 132.3 MPa | |
| 3.The stress when affected by both the shearing and the tensile at the same time. $f_{ts} = 1.4ft - 1.6\tau =$ | $\sigma =$ | <input type="text" value="4.9"/> | MPa | |
| | | < $f_{ts} =$ | <input type="text" value="241.0"/> | MPa |
| (8) The construction way of the anchor bolt | | | | |
| 1.The construction way of the anchor bolt. | = | <input type="text" value="Boxed J type anchor"/> | | |
| 2.The thickness of the concrete. | = | <input type="text" value="120"/> | mm = <input type="text" value="0.120"/> m | |
| 3.The length of buried part of bolt. | = | <input type="text" value="70"/> | mm = <input type="text" value="0.070"/> m | |
| 4.The permissible withdrawal weight. | Ta= | <input type="text" value="3136"/> | N > Rb= <input type="text" value="378"/> N | |



Since the results from the examination above, the anchor bolt has enough strength



1.Type:

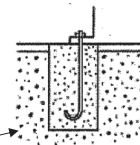
2.Model name:

3.Specification

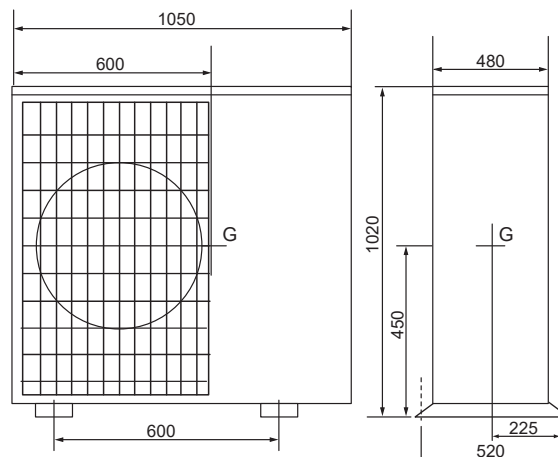
- | | |
|--|---|
| (1) Unit mass | W= <input type="text" value="132"/> kg |
| (2) Anchor bolt | |
| 1.The total number of bolts. | N= <input type="text" value="4"/> |
| 2.The size and shape. | "=M <input type="text" value="10"/> type |
| 3.The axis section area per one bolt. | A= <input type="text" value="78"/> mm ² = <input type="text" value="78 × 10<sup>-6"/> "/> m ² |
| 4.The total number of bolts in one side which be pulled stronger when the unit inverted. | Nt= <input type="text" value="2"/> |
| (3) The height between the installing surface and the center of gravity of the unit | Hg= <input type="text" value="450"/> mm= <input type="text" value="0.450"/> m |
| (4) The bolt-span from the examination angle | L= <input type="text" value="520"/> mm= <input type="text" value="0.520"/> m |
| (5) The distance between the center of bolt and the center of gravity of the unit | Lg= <input type="text" value="225"/> mm(Lg ≤ L/2)= <input type="text" value="0.225"/> m |

4.The examination calculation (by rounding off to the first decimal place of each item)

- | | |
|---|---|
| (1) The horizontal seismic coefficient for designing | Kh= <input type="text" value="1.0"/> |
| (2) The vertical seismic coefficient for designing | Kv=Kh/2= <input type="text" value="0.5"/> |
| (3) The horizontal earthquake forces for designing | Fh=Kh·W·9.8= <input type="text" value="1293.6"/> N |
| (4) The vertical earthquake forces for designing | Fv=Kv·W·9.8= <input type="text" value="646.8"/> N |
| (5) The withdrawal strength of the anchor bolt | $R_b = \frac{F_h \cdot H_g - (W \cdot 9.8 - F_v) \cdot L_g}{L \cdot N_t}$
= <input type="text" value="419.8"/> N |
| (6) The shear forces of the anchor bolt | Q=Fh/N= <input type="text" value="323.4"/> N |
| (7) The stress arising to the anchor bolt | |
| 1.The tensile stress. | $\sigma = R_b/A =$ <input type="text" value="5.4"/> MPa < ft = 176.4 MPa |
| 2.The shearing stress. | $\tau = Q/A =$ <input type="text" value="4.1"/> MPa < fs = 132.3 MPa |
| 3.The stress when affected by both the shearing and the tensile at the same time. fts=1.4ft-1.6 τ | <input type="text" value="240.4"/> MPa
< fts= <input type="text" value="240.4"/> MPa |
| (8) The construction way of the anchor bolt | |
| 1.The construction way of the anchor bolt. | = <input type="text" value="Boxed J type anchor"/> |
| 2.The thickness of the concrete. | = <input type="text" value="120"/> mm = <input type="text" value="0.120"/> m |
| 3.The length of buried part of bolt. | = <input type="text" value="70"/> mm = <input type="text" value="0.070"/> m |
| 4.The permissible withdrawal weight. | Ta= <input type="text" value="3136"/> N > Rb= <input type="text" value="420"/> N |



Since the results from the examination above, the anchor bolt has enough strength



1.Type:

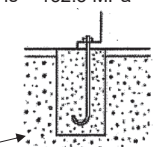
2.Model name:

3.Specification

- | | | | |
|--|-----|----------------------------------|--|
| (1) Unit mass | W= | <input type="text" value="132"/> | kg |
| (2) Anchor bolt | | | |
| 1.The total number of bolts. | N= | <input type="text" value="4"/> | |
| 2.The size and shape. | "=M | <input type="text" value="10"/> | type |
| 3.The axis section area per one bolt. | A= | <input type="text" value="78"/> | mm ² = <input type="text" value="78 × 10<sup>-6"/> "/> m ² |
| 4.The total number of bolts in one side which be pulled stronger when the unit inverted. | Nt= | <input type="text" value="2"/> | |
| (3) The height between the installing surface and the center of gravity of the unit | Hg= | <input type="text" value="490"/> | mm= <input type="text" value="0.49"/> m |
| (4) The bolt-span from the examination angle | L= | <input type="text" value="370"/> | mm= <input type="text" value="0.37"/> m |
| (5) The distance between the center of bolt and the center of gravity of the unit | Lg= | <input type="text" value="175"/> | mm(Lg≤L/2)= <input type="text" value="0.175"/> m |

4.The examination calculation (by rounding off to the first decimal place of each item)

- | | | | | |
|---|---|-------------------------------------|------------------------------------|---|
| (1) The horizontal seismic coefficient for designing | Kh= | <input type="text" value="1.0"/> | | |
| (2) The vertical seismic coefficient for designing | Kv=Kh/2= | <input type="text" value="0.5"/> | | |
| (3) The horizontal earthquake forces for designing | Fh=Kh·W·9.8= | <input type="text" value="1293.6"/> | N | |
| (4) The vertical earthquake forces for designing | Fv=Kv·W·9.8= | <input type="text" value="646.8"/> | N | |
| (5) The withdrawal strength of the anchor bolt | $R_b = \frac{F_h \cdot H_g - (W \cdot 9.8 - F_v) \cdot L_g}{L \cdot N_t}$ | = | <input type="text" value="703.6"/> | N |
| (6) The shear forces of the anchor bolt | Q=Fh/N= | <input type="text" value="323.4"/> | N | |
| (7) The stress arising to the anchor bolt | | | | |
| 1.The tensile stress. | $\sigma = R_b/A =$ | <input type="text" value="9.0"/> | MPa < ft = 176.4 MPa | |
| 2.The shearing stress. | $\tau = Q/A =$ | <input type="text" value="4.1"/> | MPa < fs = 132.3 MPa | |
| 3.The stress when affected by both the shearing and the tensile at the same time. | $f_{ts} = 1.4f_t - 1.6\tau =$ | <input type="text" value="240.3"/> | MPa | |
| | $\sigma =$ | <input type="text" value="9.0"/> | MPa | |
| | < fts= | <input type="text" value="176.4"/> | MPa | |



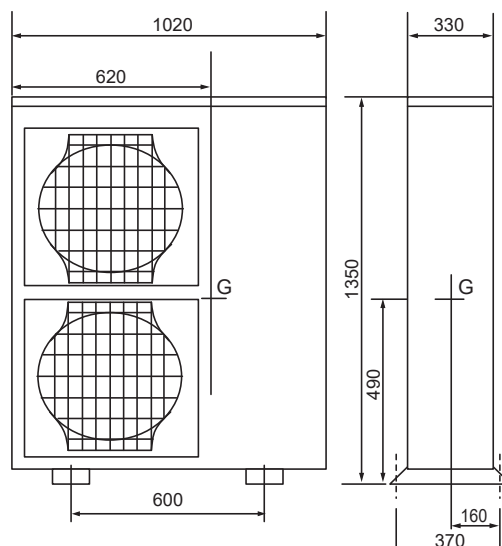
=

= mm = m

= mm = m

Ta= N > Rb= N

Since the results from the examination above, the anchor bolt has enough strength



1.Type:

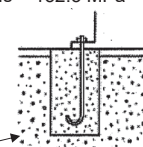
2.Model name:

3.Specification

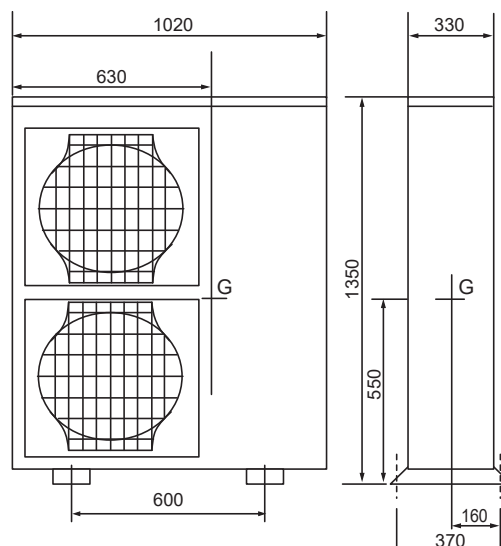
- | | |
|--|---|
| (1) Unit mass | W= <input type="text" value="143"/> kg |
| (2) Anchor bolt | |
| 1.The total number of bolts. | N= <input type="text" value="4"/> |
| 2.The size and shape. | "=M <input type="text" value="10"/> type |
| 3.The axis section area per one bolt. | A= <input type="text" value="78"/> mm ² = <input type="text" value="78 × 10<sup>-6"/> "/> m ² |
| 4.The total number of bolts in one side which be pulled stronger when the unit inverted. | Nt= <input type="text" value="2"/> |
| (3) The height between the installing surface and the center of gravity of the unit | Hg= <input type="text" value="550"/> mm= <input type="text" value="0.55"/> m |
| (4) The bolt-span from the examination angle | L= <input type="text" value="370"/> mm= <input type="text" value="0.37"/> m |
| (5) The distance between the center of bolt and the center of gravity of the unit | Lg= <input type="text" value="175"/> mm(Lg ≤ L/2)= <input type="text" value="0.175"/> m |

4.The examination calculation (by rounding off to the first decimal place of each item)

- | | |
|---|---|
| (1) The horizontal seismic coefficient for designing | Kh= <input type="text" value="1.0"/> |
| (2) The vertical seismic coefficient for designing | Kv=Kh/2= <input type="text" value="0.5"/> |
| (3) The horizontal earthquake forces for designing | Fh=Kh·W·9.8= <input type="text" value="1401.4"/> N |
| (4) The vertical earthquake forces for designing | Fv=Kv·W·9.8= <input type="text" value="700.7"/> N |
| (5) The withdrawal strength of the anchor bolt | $R_b = \frac{F_h \cdot H_g - (W \cdot 9.8 - F_v) \cdot L_g}{L \cdot N_t}$
= <input type="text" value="875.9"/> N |
| (6) The shear forces of the anchor bolt | Q=Fh/N= <input type="text" value="350.4"/> N |
| (7) The stress arising to the anchor bolt | |
| 1.The tensile stress. | $\sigma = R_b/A =$ <input type="text" value="11.2"/> MPa < ft = 176.4 MPa |
| 2.The shearing stress. | $\tau = Q/A =$ <input type="text" value="4.5"/> MPa < fs = 132.3 MPa |
| 3.The stress when affected by both the shearing and the tensile at the same time. | fts=1.4ft-1.6τ = <input type="text" value="239.8"/> MPa
σ = <input type="text" value="11.2"/> MPa < fts = <input type="text" value="176.4"/> MPa |
| (8) The construction way of the anchor bolt | |
| 1.The construction way of the anchor bolt. | = <input type="text" value="Boxed J type anchor"/> |
| 2.The thickness of the concrete. | = <input type="text" value="120"/> mm = <input type="text" value="0.120"/> m |
| 3.The length of buried part of bolt. | = <input type="text" value="70"/> mm = <input type="text" value="0.070"/> m |
| 4.The permissible withdrawal weight. | Ta= <input type="text" value="3136"/> N > Rb= <input type="text" value="875.9"/> N |



Since the results from the examination above, the anchor bolt has enough strength



1.Type:

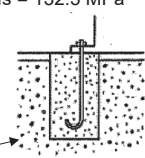
2.Model name:

3.Specification

- | | | | |
|--|-----|----------------------------------|--|
| (1) Unit mass | W= | <input type="text" value="101"/> | kg |
| (2) Anchor bolt | | | |
| 1.The total number of bolts. | N= | <input type="text" value="4"/> | |
| 2.The size and shape. | "=M | <input type="text" value="10"/> | type |
| 3.The axis section area per one bolt. | A= | <input type="text" value="78"/> | mm ² = <input type="text" value="78 × 10<sup>-6"/> "/> m ² |
| 4.The total number of bolts in one side which be pulled stronger when the unit inverted. | Nt= | <input type="text" value="2"/> | |
| (3) The height between the installing surface and the center of gravity of the unit | Hg= | <input type="text" value="450"/> | mm= <input type="text" value="0.450"/> m |
| (4) The bolt-span from the examination angle | L= | <input type="text" value="520"/> | mm= <input type="text" value="0.520"/> m |
| (5) The distance between the center of bolt and the center of gravity of the unit | Lg= | <input type="text" value="225"/> | mm(Lg ≤ L/2)= <input type="text" value="0.225"/> m |

4.The examination calculation (by rounding off to the first decimal place of each item)

- | | | | | |
|---|---|------------------------------------|------------------------------------|-----|
| (1) The horizontal seismic coefficient for designing | Kh= | <input type="text" value="1.0"/> | | |
| (2) The vertical seismic coefficient for designing | Kv=Kh/2= | <input type="text" value="0.5"/> | | |
| (3) The horizontal earthquake forces for designing | Fh=Kh·W·9.8= | <input type="text" value="989.8"/> | N | |
| (4) The vertical earthquake forces for designing | Fv=Kv·W·9.8= | <input type="text" value="494.9"/> | N | |
| (5) The withdrawal strength of the anchor bolt | $R_b = \frac{F_h \cdot H_g - (W \cdot 9.8 - F_v) \cdot L_g}{L \cdot N_t}$ | = | <input type="text" value="321.2"/> | N |
| (6) The shear forces of the anchor bolt | Q=Fh/N= | <input type="text" value="247.5"/> | N | |
| (7) The stress arising to the anchor bolt | | | | |
| 1.The tensile stress. | $\sigma = R_b/A =$ | <input type="text" value="4.1"/> | MPa < ft = 176.4 MPa | |
| 2.The shearing stress. | $\tau = Q/A =$ | <input type="text" value="3.2"/> | MPa < fs = 132.3 MPa | |
| 3.The stress when affected by both the shearing and the tensile at the same time. | $f_{ts} = 1.4ft - 1.6\tau =$ | <input type="text" value="241.8"/> | MPa | |
| | $\sigma =$ | <input type="text" value="4.1"/> | MPa | |
| | | < fts= | <input type="text" value="241.8"/> | MPa |



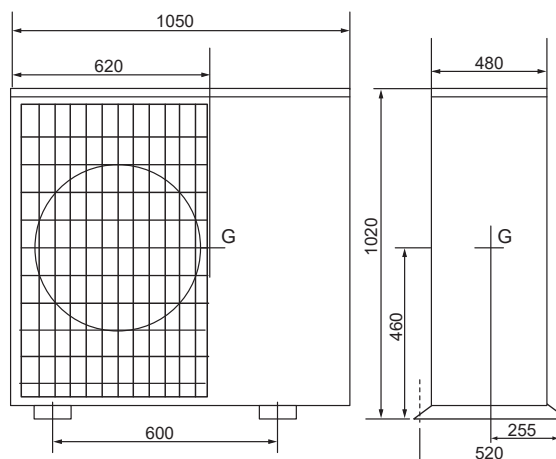
=

= mm = m

= mm = m

Ta= N > Rb= N

Since the results from the examination above, the anchor bolt has enough strength



1.Type:

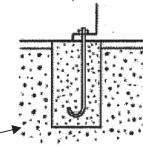
2.Model name:

3.Specification

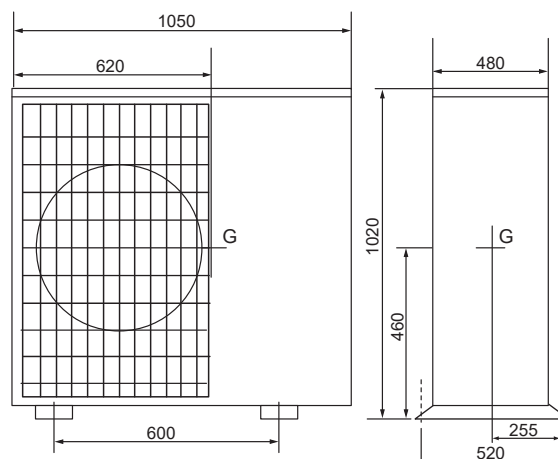
- | | |
|--|---|
| (1) Unit mass | W= <input type="text" value="102"/> kg |
| (2) Anchor bolt | |
| 1.The total number of bolts. | N= <input type="text" value="4"/> |
| 2.The size and shape. | "=M <input type="text" value="10"/> type |
| 3.The axis section area per one bolt. | A= <input type="text" value="78"/> mm ² = <input type="text" value="78 × 10<sup>-6"/> "/> m ² |
| 4.The total number of bolts in one side which be pulled stronger when the unit inverted. | Nt= <input type="text" value="2"/> |
| (3) The height between the installing surface and the center of gravity of the unit | Hg= <input type="text" value="450"/> mm= <input type="text" value="0.450"/> m |
| (4) The bolt-span from the examination angle | L= <input type="text" value="520"/> mm= <input type="text" value="0.520"/> m |
| (5) The distance between the center of bolt and the center of gravity of the unit | Lg= <input type="text" value="225"/> mm(Lg ≤ L/2)= <input type="text" value="0.225"/> m |

4.The examination calculation (by rounding off to the first decimal place of each item)

- | | |
|---|---|
| (1) The horizontal seismic coefficient for designing | Kh= <input type="text" value="1.0"/> |
| (2) The vertical seismic coefficient for designing | Kv=Kh/2= <input type="text" value="0.5"/> |
| (3) The horizontal earthquake forces for designing | Fh=Kh·W·9.8= <input type="text" value="999.6"/> N |
| (4) The vertical earthquake forces for designing | Fv=Kv·W·9.8= <input type="text" value="499.8"/> N |
| (5) The withdrawal strength of the anchor bolt | $R_b = \frac{F_h \cdot H_g - (W \cdot 9.8 - F_v) \cdot L_g}{L \cdot N_t}$
= <input type="text" value="324.4"/> N |
| (6) The shear forces of the anchor bolt | Q=Fh/N= <input type="text" value="249.9"/> N |
| (7) The stress arising to the anchor bolt | |
| 1.The tensile stress. | $\sigma = R_b/A =$ <input type="text" value="4.2"/> MPa < ft = 176.4 MPa |
| 2.The shearing stress. | $\tau = Q/A =$ <input type="text" value="3.2"/> MPa < fs = 132.3 MPa |
| 3.The stress when affected by both the shearing and the tensile at the same time. fts=1.4ft-1.6 τ | <input type="text" value="241.8"/> MPa
< fts= <input type="text" value="241.8"/> MPa |
| (8) The construction way of the anchor bolt | |
| 1.The construction way of the anchor bolt. | = <input type="text" value="Boxed J type anchor"/> |
| 2.The thickness of the concrete. | = <input type="text" value="120"/> mm = <input type="text" value="0.120"/> m |
| 3.The length of buried part of bolt. | = <input type="text" value="70"/> mm = <input type="text" value="0.070"/> m |
| 4.The permissible withdrawal weight. | Ta= <input type="text" value="3136"/> N > Rb= <input type="text" value="324"/> N |



Since the results from the examination above, the anchor bolt has enough strength



1.Type:

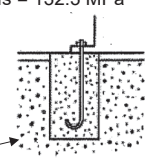
2.Model name:

3.Specification

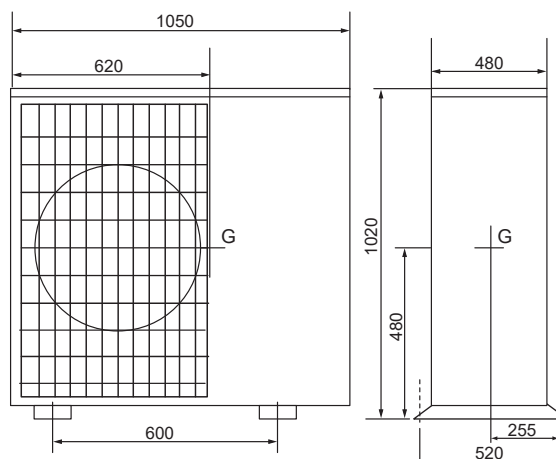
- | | |
|--|---|
| (1) Unit mass | W= <input type="text" value="114"/> kg |
| (2) Anchor bolt | |
| 1.The total number of bolts. | N= <input type="text" value="4"/> |
| 2.The size and shape. | "=M <input type="text" value="10"/> type |
| 3.The axis section area per one bolt. | A= <input type="text" value="78"/> mm ² = <input type="text" value="78 × 10<sup>-6"/> "/> m ² |
| 4.The total number of bolts in one side which be pulled stronger when the unit inverted. | Nt= <input type="text" value="2"/> |
| (3) The height between the installing surface and the center of gravity of the unit | Hg= <input type="text" value="450"/> mm= <input type="text" value="0.450"/> m |
| (4) The bolt-span from the examination angle | L= <input type="text" value="520"/> mm= <input type="text" value="0.520"/> m |
| (5) The distance between the center of bolt and the center of gravity of the unit | Lg= <input type="text" value="225"/> mm(Lg ≤ L/2)= <input type="text" value="0.225"/> m |

4.The examination calculation (by rounding off to the first decimal place of each item)

- | | |
|--|--|
| (1) The horizontal seismic coefficient for designing | Kh= <input type="text" value="1.0"/> |
| (2) The vertical seismic coefficient for designing | Kv=Kh/2= <input type="text" value="0.5"/> |
| (3) The horizontal earthquake forces for designing | Fh=Kh·W·9.8= <input type="text" value="1117.2"/> N |
| (4) The vertical earthquake forces for designing | Fv=Kv·W·9.8= <input type="text" value="558.6"/> N |
| (5) The withdrawal strength of the anchor bolt | $R_b = \frac{F_h \cdot H_g - (W \cdot 9.8 - F_v) \cdot L_g}{L \cdot N_t}$ = <input type="text" value="362.6"/> N |
| (6) The shear forces of the anchor bolt | Q=Fh/N= <input type="text" value="297.3"/> N |
| (7) The stress arising to the anchor bolt | |
| 1.The tensile stress. | $\sigma = R_b/A =$ <input type="text" value="4.6"/> MPa < ft = 176.4 MPa |
| 2.The shearing stress. | $\tau = Q/A =$ <input type="text" value="3.6"/> MPa < fs = 132.3 MPa |
| 3.The stress when affected by both the shearing and the tensile at the same time. $f_{ts} = 1.4ft - 1.6\tau$ | $\sigma =$ <input type="text" value="4.6"/> MPa < $f_{ts} =$ <input type="text" value="241.2"/> MPa |
| (8) The construction way of the anchor bolt | |
| 1.The construction way of the anchor bolt. | = <input type="text" value="Boxed J type anchor"/> |
| 2.The thickness of the concrete. | = <input type="text" value="120"/> mm = <input type="text" value="0.120"/> m |
| 3.The length of buried part of bolt. | = <input type="text" value="70"/> mm = <input type="text" value="0.070"/> m |
| 4.The permissible withdrawal weight. | Ta= <input type="text" value="3136"/> N > Rb= <input type="text" value="363"/> N |



Since the results from the examination above, the anchor bolt has enough strength



1.Type:

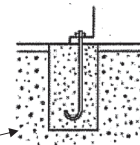
2.Model name:

3.Specification

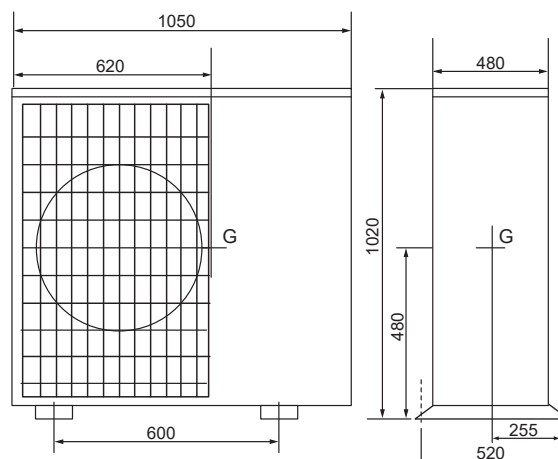
- | | |
|--|---|
| (1) Unit mass | W= <input type="text" value="115"/> kg |
| (2) Anchor bolt | |
| 1.The total number of bolts. | N= <input type="text" value="4"/> |
| 2.The size and shape. | "=M <input type="text" value="10"/> type |
| 3.The axis section area per one bolt. | A= <input type="text" value="78"/> mm ² = <input type="text" value="78 × 10<sup>-6"/> "/> m ² |
| 4.The total number of bolts in one side which be pulled stronger when the unit inverted. | Nt= <input type="text" value="2"/> |
| (3) The height between the installing surface and the center of gravity of the unit | Hg= <input type="text" value="450"/> mm= <input type="text" value="0.450"/> m |
| (4) The bolt-span from the examination angle | L= <input type="text" value="520"/> mm= <input type="text" value="0.520"/> m |
| (5) The distance between the center of bolt and the center of gravity of the unit | Lg= <input type="text" value="225"/> mm(Lg ≤ L/2)= <input type="text" value="0.225"/> m |

4.The examination calculation (by rounding off to the first decimal place of each item)

- | | |
|---|--|
| (1) The horizontal seismic coefficient for designing | Kh= <input type="text" value="1.0"/> |
| (2) The vertical seismic coefficient for designing | Kv=Kh/2= <input type="text" value="0.5"/> |
| (3) The horizontal earthquake forces for designing | Fh=Kh·W·9.8= <input type="text" value="1127.0"/> N |
| (4) The vertical earthquake forces for designing | Fv=Kv·W·9.8= <input type="text" value="563.5"/> N |
| (5) The withdrawal strength of the anchor bolt | $R_b = \frac{F_h \cdot H_g - (W \cdot 9.8 - F_v) \cdot L_g}{L \cdot N_t}$ = <input type="text" value="365.7"/> N |
| (6) The shear forces of the anchor bolt | Q=Fh/N= <input type="text" value="281.8"/> N |
| (7) The stress arising to the anchor bolt | |
| 1.The tensile stress. | $\sigma = R_b/A =$ <input type="text" value="4.7"/> MPa < ft = 176.4 MPa |
| 2.The shearing stress. | $\tau = Q/A =$ <input type="text" value="3.6"/> MPa < fs = 132.3 MPa |
| 3.The stress when affected by both the shearing and the tensile at the same time. fts=1.4ft-1.6 τ = | <input type="text" value="241.2"/> MPa |
| | $\sigma =$ <input type="text" value="4.7"/> MPa < fts= <input type="text" value="241.2"/> MPa |
| (8) The construction way of the anchor bolt | |
| 1.The construction way of the anchor bolt. | = <input type="text" value="Boxed J type anchor"/> |
| 2.The thickness of the concrete. | = <input type="text" value="120"/> mm = <input type="text" value="0.120"/> m |
| 3.The length of buried part of bolt. | = <input type="text" value="70"/> mm = <input type="text" value="0.070"/> m |
| 4.The permissible withdrawal weight. | Ta= <input type="text" value="3136"/> N > Rb= <input type="text" value="366"/> N |



Since the results from the examination above, the anchor bolt has enough strength



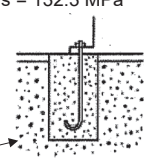
1.Type:

2.Model name:

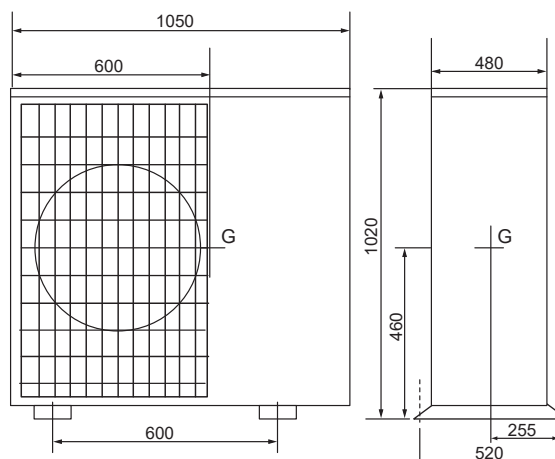
3.Specification

- | | |
|--|---|
| (1) Unit mass | W= <input type="text" value="107"/> kg |
| (2) Anchor bolt | |
| 1.The total number of bolts. | N= <input type="text" value="4"/> |
| 2.The size and shape. | "=M <input type="text" value="10"/> type |
| 3.The axis section area per one bolt. | A= <input type="text" value="78"/> mm ² = <input type="text" value="78 × 10<sup>-6"/> "/> m ² |
| 4.The total number of bolts in one side which be pulled stronger when the unit inverted. | Nt= <input type="text" value="2"/> |
| (3) The height between the installing surface and the center of gravity of the unit | Hg= <input type="text" value="450"/> mm= <input type="text" value="0.450"/> m |
| (4) The bolt-span from the examination angle | L= <input type="text" value="520"/> mm= <input type="text" value="0.520"/> m |
| (5) The distance between the center of bolt and the center of gravity of the unit | Lg= <input type="text" value="225"/> mm(Lg ≤ L/2)= <input type="text" value="0.225"/> m |

4.The examination calculation (by rounding off to the first decimal place of each item)

- | | |
|---|--|
| (1) The horizontal seismic coefficient for designing | Kh= <input type="text" value="1.0"/> |
| (2) The vertical seismic coefficient for designing | Kv=Kh/2= <input type="text" value="0.5"/> |
| (3) The horizontal earthquake forces for designing | Fh=Kh·W·9.8= <input type="text" value="1048.6"/> N |
| (4) The vertical earthquake forces for designing | Fv=Kv·W·9.8= <input type="text" value="524.3"/> N |
| (5) The withdrawal strength of the anchor bolt | $R_b = \frac{F_h \cdot H_g - (W \cdot 9.8 - F_v) \cdot L_g}{L \cdot N_t}$
= <input type="text" value="340.3"/> N |
| (6) The shear forces of the anchor bolt | Q=Fh/N= <input type="text" value="262.2"/> N |
| (7) The stress arising to the anchor bolt | |
| 1.The tensile stress. | $\sigma = R_b/A =$ <input type="text" value="4.4"/> MPa < ft = 176.4 MPa |
| 2.The shearing stress. | $\tau = Q/A =$ <input type="text" value="3.4"/> MPa < fs = 132.3 MPa |
| 3.The stress when affected by both the shearing and the tensile at the same time. | $f_{ts} = 1.4ft - 1.6\tau =$ <input type="text" value="241.5"/> MPa
$\sigma =$ <input type="text" value="4.4"/> MPa < fts= <input type="text" value="241.5"/> MPa |
| (8) The construction way of the anchor bolt | |
| 1.The construction way of the anchor bolt. | = <input type="text" value="Boxed J type anchor"/>  |
| 2.The thickness of the concrete. | = <input type="text" value="120"/> mm = <input type="text" value="0.120"/> m |
| 3.The length of buried part of bolt. | = <input type="text" value="70"/> mm = <input type="text" value="0.070"/> m |
| 4.The permissible withdrawal weight. | Ta= <input type="text" value="3136"/> N > Rb= <input type="text" value="340"/> N |

Since the results from the examination above, the anchor bolt has enough strength



1.Type:

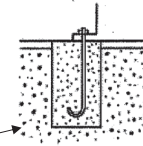
2.Model name:

3.Specification

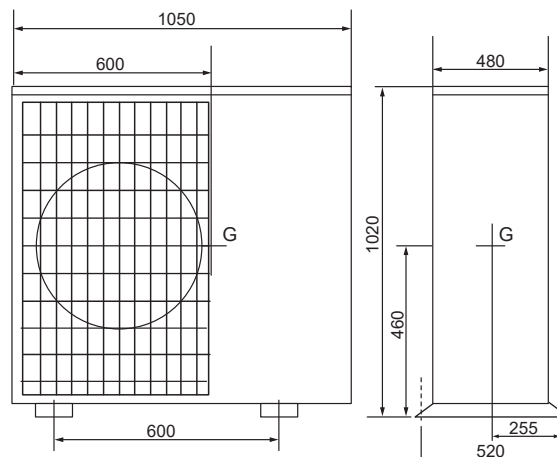
- | | |
|--|---|
| (1) Unit mass | W= <input type="text" value="108"/> kg |
| (2) Anchor bolt | |
| 1.The total number of bolts. | N= <input type="text" value="4"/> |
| 2.The size and shape. | "=M <input type="text" value="10"/> type |
| 3.The axis section area per one bolt. | A= <input type="text" value="78"/> mm ² = <input type="text" value="78 × 10<sup>-6"/> "/> m ² |
| 4.The total number of bolts in one side which be pulled stronger when the unit inverted. | Nt= <input type="text" value="2"/> |
| (3) The height between the installing surface and the center of gravity of the unit | Hg= <input type="text" value="450"/> mm= <input type="text" value="0.450"/> m |
| (4) The bolt-span from the examination angle | L= <input type="text" value="520"/> mm= <input type="text" value="0.520"/> m |
| (5) The distance between the center of bolt and the center of gravity of the unit | Lg= <input type="text" value="225"/> mm(Lg ≤ L/2)= <input type="text" value="0.225"/> m |

4.The examination calculation (by rounding off to the first decimal place of each item)

- | | |
|--|--|
| (1) The horizontal seismic coefficient for designing | Kh= <input type="text" value="1.0"/> |
| (2) The vertical seismic coefficient for designing | Kv=Kh/2= <input type="text" value="0.5"/> |
| (3) The horizontal earthquake forces for designing | Fh=Kh·W·9.8= <input type="text" value="1058.4"/> N |
| (4) The vertical earthquake forces for designing | Fv=Kv·W·9.8= <input type="text" value="529.2"/> N |
| (5) The withdrawal strength of the anchor bolt | $R_b = \frac{F_h \cdot H_g - (W \cdot 9.8 - F_v) \cdot L_g}{L \cdot N_t}$ = <input type="text" value="343.5"/> N |
| (6) The shear forces of the anchor bolt | Q=Fh/N= <input type="text" value="264.6"/> N |
| (7) The stress arising to the anchor bolt | |
| 1.The tensile stress. | $\sigma = R_b/A =$ <input type="text" value="4.4"/> MPa < $f_t = 176.4$ MPa |
| 2.The shearing stress. | $\tau = Q/A =$ <input type="text" value="3.4"/> MPa < $f_s = 132.3$ MPa |
| 3.The stress when affected by both the shearing and the tensile at the same time. $f_{ts} = 1.4f_t - 1.6\tau =$ <input type="text" value="241.5"/> MPa | $\sigma =$ <input type="text" value="4.4"/> MPa < $f_{ts} =$ <input type="text" value="241.5"/> MPa |
| (8) The construction way of the anchor bolt | |
| 1.The construction way of the anchor bolt. | = <input type="text" value="Boxed J type anchor"/> |
| 2.The thickness of the concrete. | = <input type="text" value="120"/> mm = <input type="text" value="0.120"/> m |
| 3.The length of buried part of bolt. | = <input type="text" value="70"/> mm = <input type="text" value="0.070"/> m |
| 4.The permissible withdrawal weight. | Ta= <input type="text" value="3136"/> N > Rb= <input type="text" value="343"/> N |



Since the results from the examination above, the anchor bolt has enough strength



1.Type:

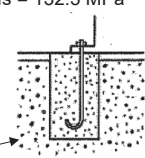
2.Model name:

3.Specification

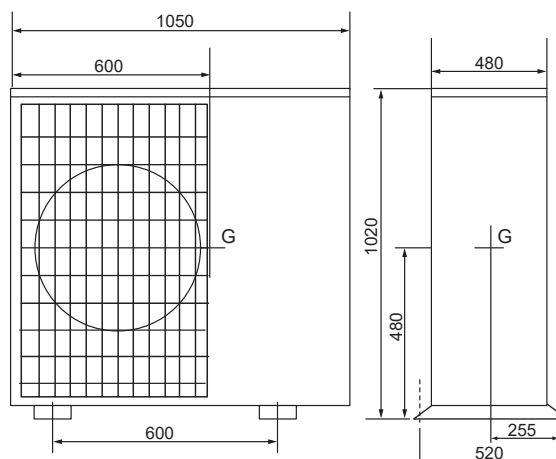
- | | |
|--|---|
| (1) Unit mass | W= <input type="text" value="120"/> kg |
| (2) Anchor bolt | |
| 1.The total number of bolts. | N= <input type="text" value="4"/> |
| 2.The size and shape. | "=M <input type="text" value="10"/> type |
| 3.The axis section area per one bolt. | A= <input type="text" value="78"/> mm ² = <input type="text" value="78 × 10<sup>-6"/> "/> m ² |
| 4.The total number of bolts in one side which be pulled stronger when the unit inverted. | Nt= <input type="text" value="2"/> |
| (3) The height between the installing surface and the center of gravity of the unit | Hg= <input type="text" value="450"/> mm= <input type="text" value="0.450"/> m |
| (4) The bolt-span from the examination angle | L= <input type="text" value="520"/> mm= <input type="text" value="0.520"/> m |
| (5) The distance between the center of bolt and the center of gravity of the unit | Lg= <input type="text" value="225"/> mm(Lg ≤ L/2)= <input type="text" value="0.225"/> m |

4.The examination calculation (by rounding off to the first decimal place of each item)

- | | |
|---|---|
| (1) The horizontal seismic coefficient for designing | Kh= <input type="text" value="1.0"/> |
| (2) The vertical seismic coefficient for designing | Kv=Kh/2= <input type="text" value="0.5"/> |
| (3) The horizontal earthquake forces for designing | Fh=Kh·W·9.8= <input type="text" value="1176.0"/> N |
| (4) The vertical earthquake forces for designing | Fv=Kv·W·9.8= <input type="text" value="588.0"/> N |
| (5) The withdrawal strength of the anchor bolt | $R_b = \frac{F_h \cdot H_g - (W \cdot 9.8 - F_v) \cdot L_g}{L \cdot N_t}$
= <input type="text" value="381.6"/> N |
| (6) The shear forces of the anchor bolt | Q=Fh/N= <input type="text" value="294.0"/> N |
| (7) The stress arising to the anchor bolt | |
| 1.The tensile stress. | $\sigma = R_b/A =$ <input type="text" value="4.9"/> MPa < ft = 176.4 MPa |
| 2.The shearing stress. | $\tau = Q/A =$ <input type="text" value="3.8"/> MPa < fs = 132.3 MPa |
| 3.The stress when affected by both the shearing and the tensile at the same time. fts=1.4ft-1.6 τ | = <input type="text" value="240.9"/> MPa
< fts= <input type="text" value="240.9"/> MPa |
| (8) The construction way of the anchor bolt | |
| 1.The construction way of the anchor bolt. | = <input type="text" value="Boxed J type anchor"/> |
| 2.The thickness of the concrete. | = <input type="text" value="120"/> mm = <input type="text" value="0.120"/> m |
| 3.The length of buried part of bolt. | = <input type="text" value="70"/> mm = <input type="text" value="0.070"/> m |
| 4.The permissible withdrawal weight. | Ta= <input type="text" value="3136"/> N > Rb= <input type="text" value="382"/> N |



Since the results from the examination above, the anchor bolt has enough strength



1.Type:

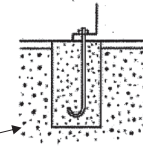
2.Model name:

3.Specification

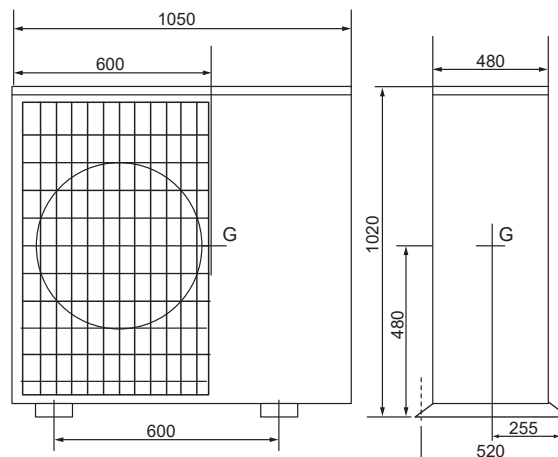
- | | |
|--|---|
| (1) Unit mass | W= <input type="text" value="121"/> kg |
| (2) Anchor bolt | |
| 1.The total number of bolts. | N= <input type="text" value="4"/> |
| 2.The size and shape. | "=M <input type="text" value="10"/> type |
| 3.The axis section area per one bolt. | A= <input type="text" value="78"/> mm ² = <input type="text" value="78 × 10<sup>-6"/> "/> m ² |
| 4.The total number of bolts in one side which be pulled stronger when the unit inverted. | Nt= <input type="text" value="2"/> |
| (3) The height between the installing surface and the center of gravity of the unit | Hg= <input type="text" value="450"/> mm= <input type="text" value="0.450"/> m |
| (4) The bolt-span from the examination angle | L= <input type="text" value="520"/> mm= <input type="text" value="0.520"/> m |
| (5) The distance between the center of bolt and the center of gravity of the unit | Lg= <input type="text" value="225"/> mm(Lg ≤ L/2)= <input type="text" value="0.225"/> m |

4.The examination calculation (by rounding off to the first decimal place of each item)

- | | |
|---|---|
| (1) The horizontal seismic coefficient for designing | Kh= <input type="text" value="1.0"/> |
| (2) The vertical seismic coefficient for designing | Kv=Kh/2= <input type="text" value="0.5"/> |
| (3) The horizontal earthquake forces for designing | Fh=Kh·W·9.8= <input type="text" value="1185.8"/> N |
| (4) The vertical earthquake forces for designing | Fv=Kv·W·9.8= <input type="text" value="592.9"/> N |
| (5) The withdrawal strength of the anchor bolt | $R_b = \frac{F_h \cdot H_g - (W \cdot 9.8 - F_v) \cdot L_g}{L \cdot N_t}$
= <input type="text" value="384.8"/> N |
| (6) The shear forces of the anchor bolt | Q=Fh/N= <input type="text" value="296.5"/> N |
| (7) The stress arising to the anchor bolt | |
| 1.The tensile stress. | $\sigma = R_b/A =$ <input type="text" value="4.9"/> MPa < ft = 176.4 MPa |
| 2.The shearing stress. | $\tau = Q/A =$ <input type="text" value="3.8"/> MPa < fs = 132.3 MPa |
| 3.The stress when affected by both the shearing and the tensile at the same time. fts=1.4ft-1.6 τ | <input type="text" value="240.9"/> MPa
< fts= <input type="text" value="240.9"/> MPa |
| (8) The construction way of the anchor bolt | |
| 1.The construction way of the anchor bolt. | = <input type="text" value="Boxed J type anchor"/> |
| 2.The thickness of the concrete. | = <input type="text" value="120"/> mm = <input type="text" value="0.120"/> m |
| 3.The length of buried part of bolt. | = <input type="text" value="70"/> mm = <input type="text" value="0.070"/> m |
| 4.The permissible withdrawal weight. | Ta= <input type="text" value="3136"/> N > Rb= <input type="text" value="385"/> N |



Since the results from the examination above, the anchor bolt has enough strength



1.Type:

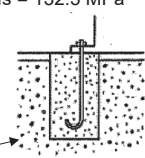
2.Model name:

3.Specification

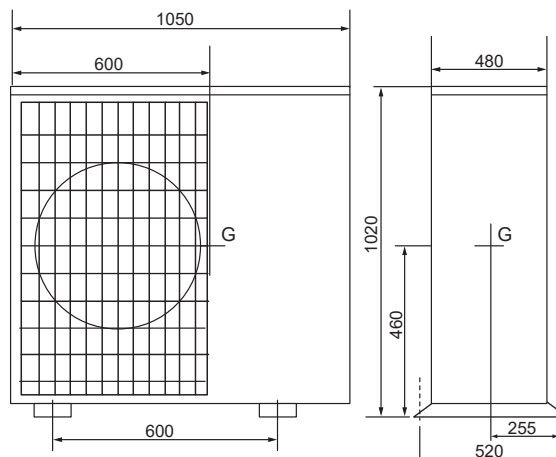
- | | |
|--|---|
| (1) Unit mass | W= <input type="text" value="110"/> kg |
| (2) Anchor bolt | |
| 1.The total number of bolts. | N= <input type="text" value="4"/> |
| 2.The size and shape. | "=M <input type="text" value="10"/> type |
| 3.The axis section area per one bolt. | A= <input type="text" value="78"/> mm ² = <input type="text" value="78 × 10<sup>-6"/> "/> m ² |
| 4.The total number of bolts in one side which be pulled stronger when the unit inverted. | Nt= <input type="text" value="2"/> |
| (3) The height between the installing surface and the center of gravity of the unit | Hg= <input type="text" value="450"/> mm= <input type="text" value="0.450"/> m |
| (4) The bolt-span from the examination angle | L= <input type="text" value="520"/> mm= <input type="text" value="0.520"/> m |
| (5) The distance between the center of bolt and the center of gravity of the unit | Lg= <input type="text" value="225"/> mm(Lg ≤ L/2)= <input type="text" value="0.225"/> m |

4.The examination calculation (by rounding off to the first decimal place of each item)

- | | |
|---|---|
| (1) The horizontal seismic coefficient for designing | Kh= <input type="text" value="1.0"/> |
| (2) The vertical seismic coefficient for designing | Kv=Kh/2= <input type="text" value="0.5"/> |
| (3) The horizontal earthquake forces for designing | Fh=Kh·W·9.8= <input type="text" value="1078.0"/> N |
| (4) The vertical earthquake forces for designing | Fv=Kv·W·9.8= <input type="text" value="539.0"/> N |
| (5) The withdrawal strength of the anchor bolt | $R_b = \frac{F_h \cdot H_g - (W \cdot 9.8 - F_v) \cdot L_g}{L \cdot N_t}$
= <input type="text" value="349.8"/> N |
| (6) The shear forces of the anchor bolt | Q=Fh/N= <input type="text" value="269.5"/> N |
| (7) The stress arising to the anchor bolt | |
| 1.The tensile stress. | $\sigma = R_b/A =$ <input type="text" value="4.5"/> MPa < ft = 176.4 MPa |
| 2.The shearing stress. | $\tau = Q/A =$ <input type="text" value="3.5"/> MPa < fs = 132.3 MPa |
| 3.The stress when affected by both the shearing and the tensile at the same time. fts=1.4ft-1.6 τ | = <input type="text" value="241.4"/> MPa |
| | $\sigma =$ <input type="text" value="4.5"/> MPa < fts= <input type="text" value="241.4"/> MPa |
| (8) The construction way of the anchor bolt | |
| 1.The construction way of the anchor bolt. | = <input type="text" value="Boxed J type anchor"/> |
| 2.The thickness of the concrete. | = <input type="text" value="120"/> mm = <input type="text" value="0.120"/> m |
| 3.The length of buried part of bolt. | = <input type="text" value="70"/> mm = <input type="text" value="0.070"/> m |
| 4.The permissible withdrawal weight. | Ta= <input type="text" value="3136"/> N > Rb= <input type="text" value="350"/> N |



Since the results from the examination above, the anchor bolt has enough strength



1.Type:

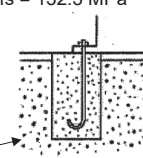
2.Model name:

3.Specification

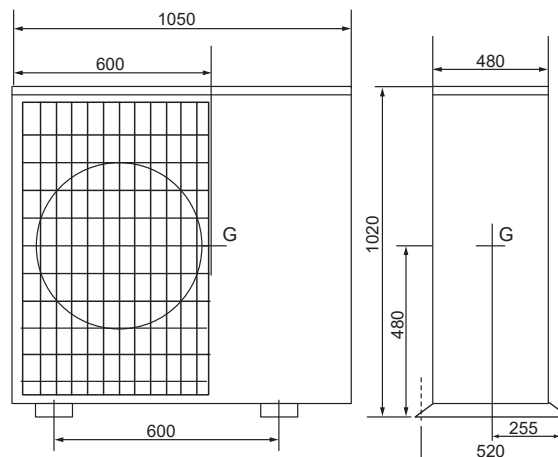
- | | |
|--|---|
| (1) Unit mass | W= <input type="text" value="122"/> kg |
| (2) Anchor bolt | |
| 1.The total number of bolts. | N= <input type="text" value="4"/> |
| 2.The size and shape. | "=M <input type="text" value="10"/> type |
| 3.The axis section area per one bolt. | A= <input type="text" value="78"/> mm ² = <input type="text" value="78 × 10<sup>-6"/> "/> m ² |
| 4.The total number of bolts in one side which be pulled stronger when the unit inverted. | Nt= <input type="text" value="2"/> |
| (3) The height between the installing surface and the center of gravity of the unit | Hg= <input type="text" value="450"/> mm= <input type="text" value="0.450"/> m |
| (4) The bolt-span from the examination angle | L= <input type="text" value="520"/> mm= <input type="text" value="0.520"/> m |
| (5) The distance between the center of bolt and the center of gravity of the unit | Lg= <input type="text" value="225"/> mm(Lg ≤ L/2)= <input type="text" value="0.225"/> m |

4.The examination calculation (by rounding off to the first decimal place of each item)

- | | |
|--|---|
| (1) The horizontal seismic coefficient for designing | Kh= <input type="text" value="1.0"/> |
| (2) The vertical seismic coefficient for designing | Kv=Kh/2= <input type="text" value="0.5"/> |
| (3) The horizontal earthquake forces for designing | Fh=Kh·W·9.8= <input type="text" value="1195.6"/> N |
| (4) The vertical earthquake forces for designing | Fv=Kv·W·9.8= <input type="text" value="597.8"/> N |
| (5) The withdrawal strength of the anchor bolt | $R_b = \frac{F_h \cdot H_g - (W \cdot 9.8 - F_v) \cdot L_g}{L \cdot N_t}$
= <input type="text" value="388.0"/> N |
| (6) The shear forces of the anchor bolt | Q=Fh/N= <input type="text" value="298.9"/> N |
| (7) The stress arising to the anchor bolt | |
| 1.The tensile stress. | $\sigma = R_b/A =$ <input type="text" value="5.0"/> MPa < $f_t = 176.4$ MPa |
| 2.The shearing stress. | $\tau = Q/A =$ <input type="text" value="3.8"/> MPa < $f_s = 132.3$ MPa |
| 3.The stress when affected by both the shearing and the tensile at the same time. $f_{ts} = 1.4f_t - 1.6\tau =$ <input type="text" value="240.9"/> MPa | $\sigma =$ <input type="text" value="5.0"/> MPa < $f_{ts} =$ <input type="text" value="240.9"/> MPa |
| (8) The construction way of the anchor bolt | |
| 1.The construction way of the anchor bolt. | = <input type="text" value="Boxed J type anchor"/> |
| 2.The thickness of the concrete. | = <input type="text" value="120"/> mm = <input type="text" value="0.120"/> m |
| 3.The length of buried part of bolt. | = <input type="text" value="70"/> mm = <input type="text" value="0.070"/> m |
| 4.The permissible withdrawal weight. | Ta= <input type="text" value="3136"/> N > Rb= <input type="text" value="388"/> N |



Since the results from the examination above, the anchor bolt has enough strength



Display	Contents to be inspected (During operation)
U1	Abnormal high pressure (63H operated)
U2	Abnormal temperature of discharge/Comp. Surface, shortage of refrigerant
U3	Open/short (RT62)
U4	Open/short(RT61, RT64, RT65,RT68)
U5	Abnormal temperature of heatsink
U6	Abnormality in power module
U7	Abnormal super heat
U8	Abnormality in outdoor fan motor
U9	Voltage error, Current sensor error (Input current)
Ud	Overheat error
UF	Compressor overcurrent shutoff (When Comp. locked)
UH	Current sensor error (Comp. current), Input overcurrent shutoff
UL	Abnormal low pressure (63L operated)
UP	Compressor overcurrent shutoff
P4	Drain sensor abnormality, Contact failure of drain float switch
P5	Drain over flow protection
P6	Freezing/overheating protection
P8	Abnormality temperature of pipe
PA	Water leakage
Pb	Fan trouble (Indoor unit)
UE	Closed valve
PE	Abnormal temperature of inlet water
Ed	Serial communication error
EA, Eb, EC	Incorrect wiring indoor / outdoor unit connection
E6 - E9	Indoor / Outdoor unit communication error
E0, E3 - E5	Remote communication error
EE, EF	Combination error, undefined error
A0	Duplex address error
A2	Transmission processor hardware error
A3	Transmission bus BUSY error
A6	Signal communication error with transmission processor
A7	No ACK error
A8	No response frame error
L6	Circulation water freeze protection
PL	Outdoor refrigerant system abnormality

Display	Contents to be inspected (When power is turned on)
F3	63L connector (red) open
F5	63H connector (yellow) open
F9	2 connectors (63H and 63L) open
FC	Outdoor control system error

(1) Packaged-type units

■ PUZ-WM50VHA(-BS)
PUZ-WM112VAA(-BS)

PUZ-WM60VAA(-BS)
PUZ-WM112YAA(-BS)

PUZ-WM85VAA(-BS)

PUZ-WM85YAA(-BS)

1. Selecting the installation location

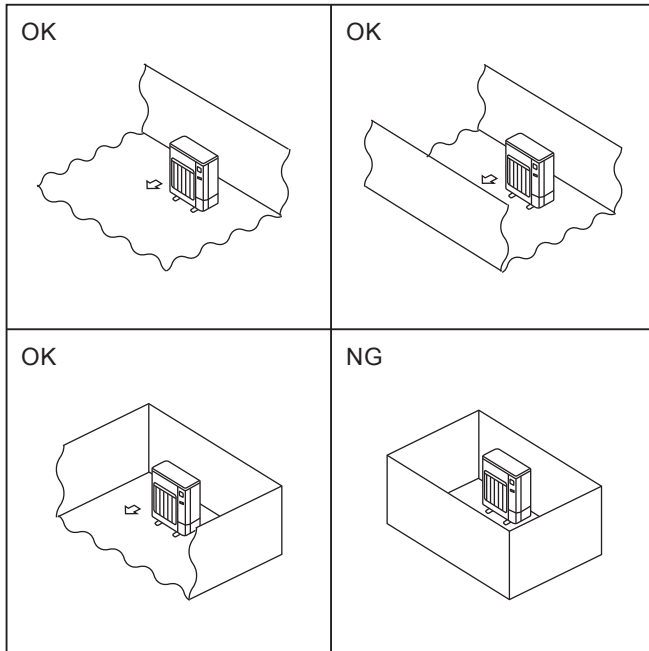


Fig. 1-1

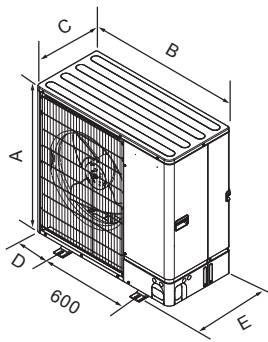
1.1. Choosing the outdoor unit installation location

- R32 is heavier than air—as well as other refrigerants—so tends to accumulate at the base (in the vicinity of the floor). If R32 accumulates around base, it may reach a flammable concentration in case room is small. To avoid ignition, maintaining a safe work environment is required by ensuring appropriate ventilation. If a refrigerant leak is confirmed in a room or an area where there is insufficient ventilation, refrain from using of flames until the work environment can be improved by ensuring appropriate ventilation.
- Avoid locations exposed to direct sunlight or other sources of heat.
- Select a location from which noise emitted by the unit will not inconvenience neighbors.
- Select a location permitting easy wiring and pipe access to the power source and indoor unit.
- Avoid locations where combustible gases may leak, be produced, flow, or accumulate.
- Note that water may drain from the unit during operation.
- Select a level location that can bear the weight and vibration of the unit.
- Avoid locations where the unit can be covered by snow. In areas where heavy snow fall is anticipated, special precautions such as raising the installation location or installing a hood on the air intake must be taken to prevent the snow from blocking the air intake or blowing directly against it. This can reduce the airflow and a malfunction may result.
- Avoid locations exposed to oil, steam, or sulfuric gas.
- Use the transportation handles of the outdoor unit to transport the unit. If the unit is carried from the bottom, hands or fingers may be pinched.
- ⊙ Install outdoor units in a place where at least one of the four sides is open, and in a sufficiently large space without depressions. (Fig. 1-1)

⚠ CAUTION:

- **Perform grounding.**
Do not connect the ground wire to a gas pipe, water pipe arrester or telephone ground wire. Defective grounding could cause an electric shock.
- **Do not install the unit in a place where an inflammable gas leaks.**
If gas leaks and accumulates in the area surrounding the unit, it could cause an explosion.
- **Install a ground leakage breaker depending on the installation place (where it is humid).**
If a ground leakage breaker is not installed, it could cause an electric shock.
- **Perform the drainage/piping work securely according to the installation manual.**
If there is a defect in the drainage/piping work, water could drop from the unit and household goods could be wet and damaged.
- **Fasten a flare nut with a torque wrench as specified in this manual.**
When fastened too tight, a flare nut may be broken after a long period and cause a leakage of refrigerant.

1.2. Outline dimensions (Outdoor unit) (Fig. 1-2)



Models	A	B	C	D	E
50	943	950	330+30	175	370
60	1020	1050	480	225	520
85	1020	1050	480	225	520
112	1020	1050	480	225	520

(mm)

Fig. 1-2

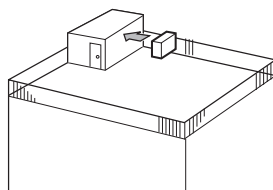


Fig. 1-3

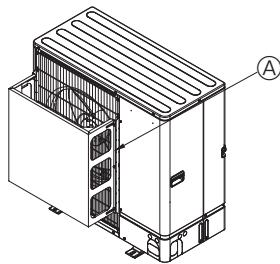


Fig. 1-4

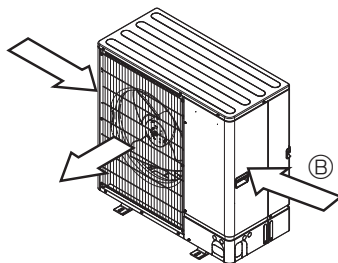


Fig. 1-5

1.3. Ventilation and service space

1.3.1. Windy location installation

When installing the outdoor unit on a rooftop or other location unprotected from the wind, situate the air outlet of the unit so that it is not directly exposed to strong winds. Strong wind entering the air outlet may impede the normal airflow and a malfunction may result.

The following shows three examples of precautions against strong winds.

- ① Face the air outlet towards the nearest available wall about 35 cm away from the wall. (Fig. 1-3)
- ② Install an optional air guide if the unit is installed in a location where strong winds from a typhoon, etc. may directly enter the air outlet. (Fig. 1-4)
 - Ⓐ Air outlet guide
- ③ Position the unit so that the air outlet blows perpendicularly to the seasonal wind direction, if possible. (Fig. 1-5)
 - Ⓑ Wind direction

1.3.2. When installing a single outdoor unit (Refer to the last page)

Minimum dimensions are as follows, except for Max., meaning Maximum dimensions, indicated.

Refer to the figures for each case.

- ① Obstacles at rear only (Fig. 1-6)
- ② Obstacles at rear and above only (Fig. 1-7)
 - Do not install the optional air outlet guides for upward airflow.
- ③ Obstacles at rear and sides only (Fig. 1-8)
- ④ Obstacles at front only (Fig. 1-9)
- ⑤ Obstacles at front and rear only (Fig. 1-10)
- ⑥ Obstacles at rear, sides, and above only (Fig. 1-11)
 - Do not install the optional air outlet guides for upward airflow.

1.3.3. When installing multiple outdoor units (Refer to the last page)

Leave 50 mm space or more between the units.

Refer to the figures for each case.

- ① Obstacles at rear only (Fig. 1-12)
- ② Obstacles at rear and above only (Fig. 1-13)
 - No more than 3 units must be installed side by side. In addition, leave space as shown.
 - Do not install the optional air outlet guides for upward airflow.
- ③ Obstacles at front only (Fig. 1-14)
- ④ Obstacles at front and rear only (Fig. 1-15)
- ⑤ Single parallel unit arrangement (Fig. 1-16)
 - * When using an optional air outlet guide installed for upward airflow, the clearance is 500 mm or more.
- ⑥ Multiple parallel unit arrangement (Fig. 1-17)
 - * When using an optional air outlet guide installed for upward airflow, the clearance is 1000 mm or more.
- ⑦ Stacked unit arrangement (Fig. 1-18)
 - The units can be stacked up to two units high.
 - No more than 2 stacked units must be installed side by side. In addition, leave space as shown.

1.4. Minimum installation area

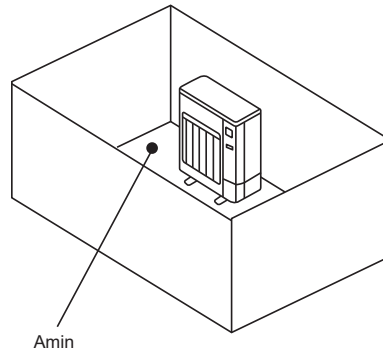
If you unavoidably install a unit in a space where all four sides are blocked or there are depressions, confirm that one of these situations (A, B or C) is satisfied.

Note: These countermeasures are for keeping safety not for specification guarantee.

A) Secure sufficient installation space (minimum installation area A_{min}).

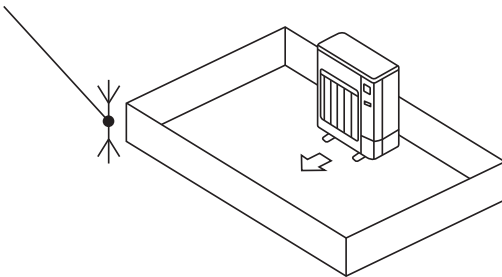
Install in a space with an installation area of A_{min} or more, corresponding to refrigerant quantity M (factory-charged refrigerant + locally added refrigerant).

M [kg]	A_{min} [m ²]
1.0	12
1.5	17
2.0	23
2.5	28
3.0	34
3.5	39
4.0	45
4.5	50
5.0	56
5.5	62
6.0	67
6.5	73
7.0	78
7.5	84

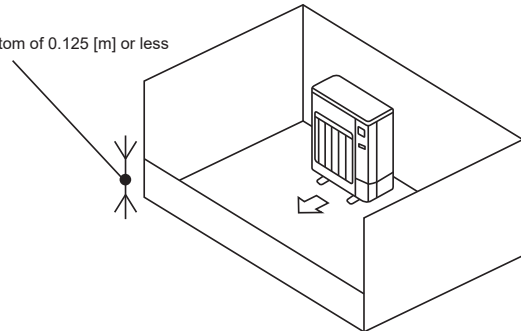


B) Install in a space with a depression height of ≤ 0.125 [m].

Height from the bottom of 0.125 [m] or less



Height from the bottom of 0.125 [m] or less

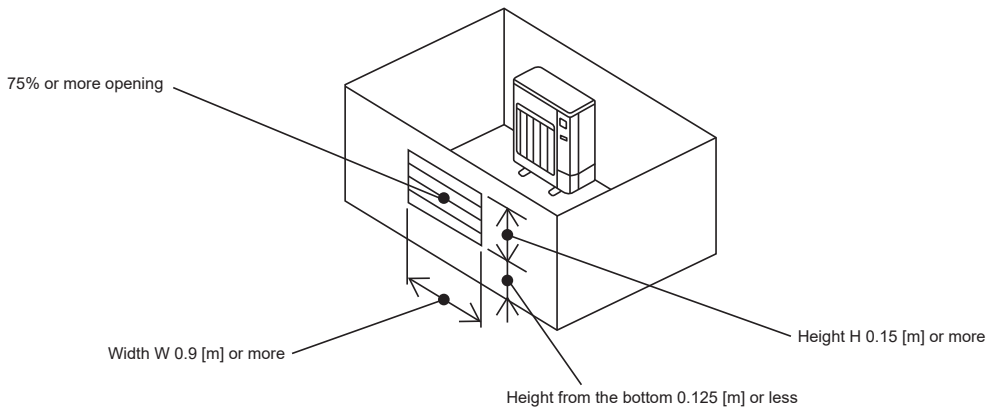


C) Create an appropriate ventilation open area.

Make sure that the width of the open area is 0.9 [m] or more and the height of the open area is 0.15 [m] or more.

However, the height from the bottom of the installation space to the bottom edge of the open area should be 0.125 [m] or less.

Open area should be 75% or more opening.



UNIT : mm
() : WM50

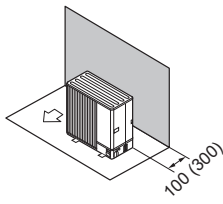


Fig. 1-6

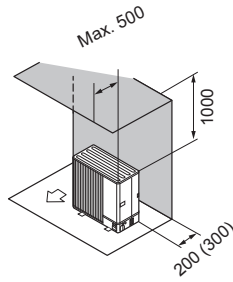


Fig. 1-7

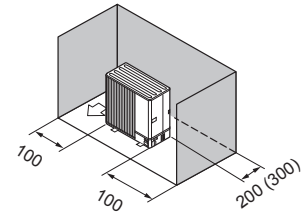


Fig. 1-8

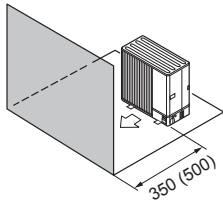


Fig. 1-9

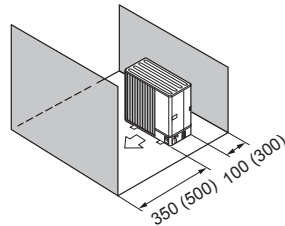


Fig. 1-10

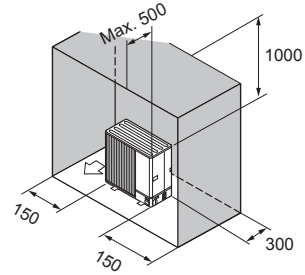


Fig. 1-11

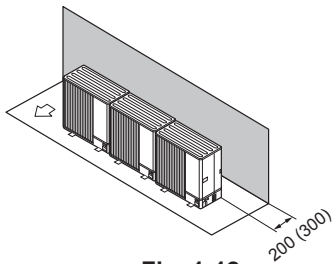


Fig. 1-12

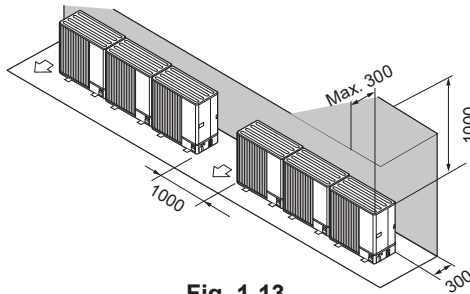


Fig. 1-13

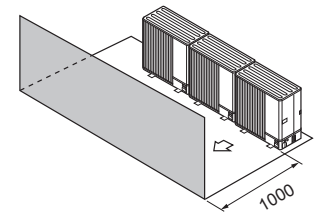


Fig. 1-14

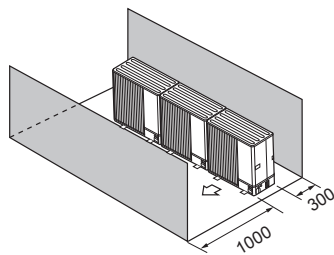


Fig. 1-15

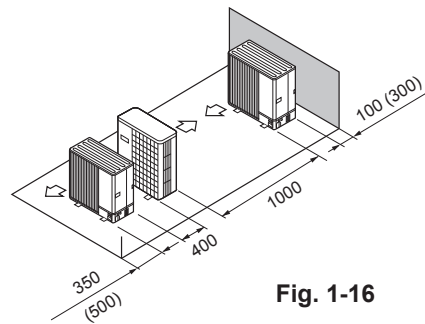


Fig. 1-16

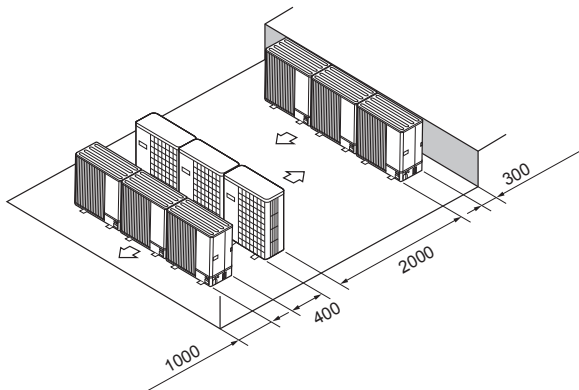


Fig. 1-17

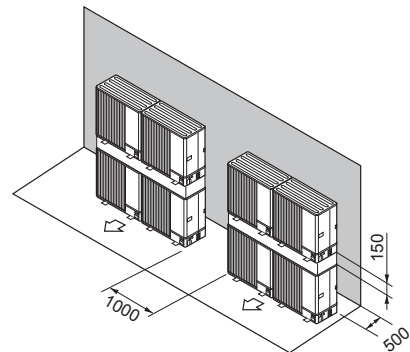
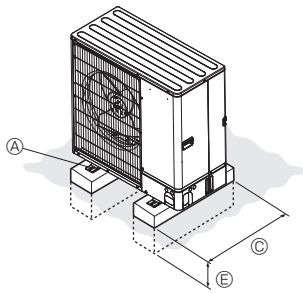


Fig. 1-18

2. Installation diagram

Outdoor unit

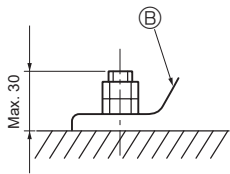


(mm)

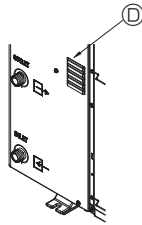
- Be sure to install the unit in a sturdy, level surface to prevent rattling noises during operation. (Fig. 2-1)

<Foundation specifications>

Foundation bolt	M10 (3/8")
Thickness of concrete	120 mm
Length of bolt	70 mm
Weight-bearing capacity	320 kg



- Ⓐ M10 (3/8") bolt
- Ⓑ Base
- Ⓒ As long as possible.
- Ⓓ Vent
- Ⓔ Set deep in the ground



- Make sure that the length of the foundation bolt is within 30 mm of the bottom surface of the base.
- Secure the base of the unit firmly with four-M10 foundation bolts in sturdy locations.

Installing the outdoor unit

- Do not block the vent. If the vent is blocked, operation will be hindered and breakdown may result.
- In addition to the unit base, use the installation holes on the back of the unit to attach wires, etc., if necessary to install the unit. Use self-tapping screws (ø5 × 15 mm or less) and install on site.

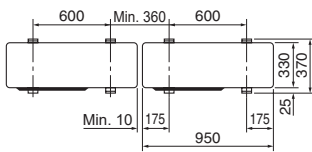
⚠ WARNING:

- The unit must be securely installed on a structure that can sustain its weight. If the unit is mounted on an unstable structure, it may fall down and cause damage or injuries.
- The unit must be installed according to the instructions in order to minimize the risk of damage from earthquakes, typhoons, or strong winds. An incorrectly installed unit may fall down and cause damage or injuries.

⚠ CAUTION:

- Install the unit on a rigid structure to prevent excessive operation sound or vibration.

For WM50 models



For WM60/85/112 models

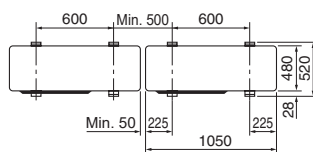


Fig. 2-1

■ PUZ-HWM140VHA(-BS)

PUZ-HWM140YHA(-BS)

1. Selecting the installation location

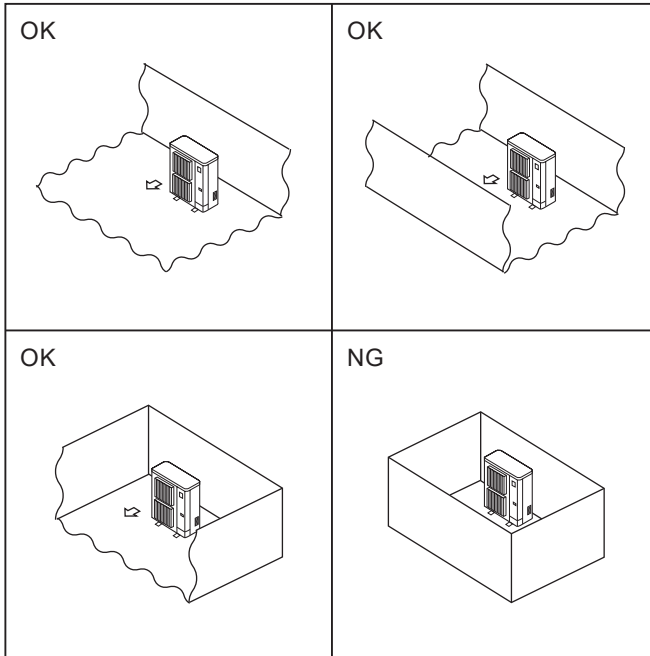


Fig. 1-1

1.1. Choosing the outdoor unit installation location

- ⊙ R32 is heavier than air—as well as other refrigerants—so tends to accumulate at the base (in the vicinity of the floor). If R32 accumulates around base, it may reach a flammable concentration in case room is small. To avoid ignition, maintaining a safe work environment is required by ensuring appropriate ventilation. If a refrigerant leak is confirmed in a room or an area where there is insufficient ventilation, refrain from using of flames until the work environment can be improved by ensuring appropriate ventilation.
- Avoid locations exposed to direct sunlight or other sources of heat.
- Select a location from which noise emitted by the unit will not inconvenience neighbors.
- Select a location permitting easy wiring and pipe access to the power source and indoor unit.
- Avoid locations where combustible gases may leak, be produced, flow, or accumulate.
- Note that water may drain from the unit during operation.
- Select a level location that can bear the weight and vibration of the unit.
- Avoid locations where the unit can be covered by snow. In areas where heavy snow fall is anticipated, special precautions such as raising the installation location or installing a hood on the air intake must be taken to prevent the snow from blocking the air intake or blowing directly against it. This can reduce the airflow and a malfunction may result.
- Avoid locations exposed to oil, steam, or sulfuric gas.
- Use the transportation handles of the outdoor unit to transport the unit. If the unit is carried from the bottom, hands or fingers may be pinched.
- ⊙ Install outdoor units in a place where at least one of the four sides is open, and in a sufficiently large space without depressions. (Fig. 1-1)

⚠ Caution:

- Perform grounding.
Do not connect the ground wire to a gas pipe, water pipe arrester or telephone ground wire. Defective grounding could cause an electric shock.
- Do not install the unit in a place where an inflammable gas leaks.
If gas leaks and accumulates in the area surrounding the unit, it could cause an explosion.
- Install a ground leakage breaker depending on the installation place (where it is humid).
If a ground leakage breaker is not installed, it could cause an electric shock.
- Perform the drainage/piping work securely according to the installation manual.
If there is a defect in the drainage/piping work, water could drop from the unit and household goods could be wet and damaged.
- Fasten a flare nut with a torque wrench as specified in this manual.
When fastened too tight, a flare nut may be broken after a long period and cause a leakage of refrigerant.

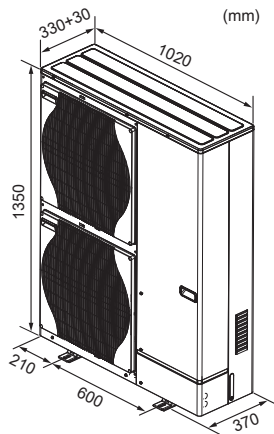


Fig. 1-2

1.2. Outline dimensions (Outdoor unit) (Fig. 1-2)

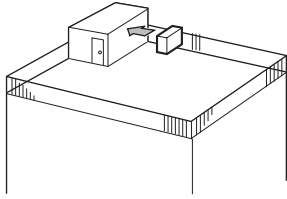


Fig. 1-3

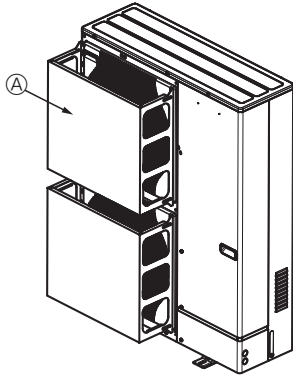


Fig. 1-4

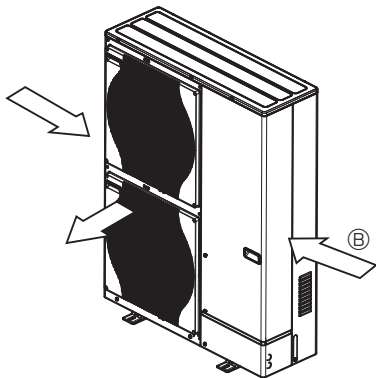


Fig. 1-5

1.3. Ventilation and service space

1.3.1. Windy location installation

When installing the outdoor unit on a rooftop or other location unprotected from the wind, situate the air outlet of the unit so that it is not directly exposed to strong winds. Strong wind entering the air outlet may impede the normal airflow and a malfunction may result.

The following shows three examples of precautions against strong winds.

- ① Face the air outlet towards the nearest available wall about 35 cm away from the wall. (Fig. 1-3)
- ② Install an optional air protect guide if the unit is installed in a location where strong winds from a typhoon, etc. may directly enter the air outlet. (Fig. 1-4)
 - Ⓐ Air protect guide
- ③ Position the unit so that the air outlet blows perpendicularly to the seasonal wind direction, if possible. (Fig. 1-5)
 - Ⓑ Wind direction

1.4. Minimum installation area

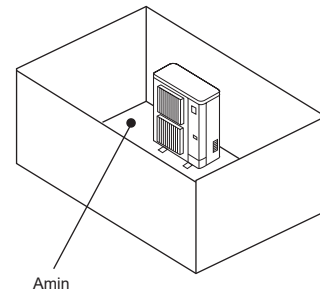
If you unavoidably install a unit in a space where all four sides are blocked or there are depressions, confirm that one of these situations (A, B or C) is satisfied.

Note: These countermeasures are for keeping safety not for specification guarantee.

A) Secure sufficient installation space (minimum installation area A_{min}).

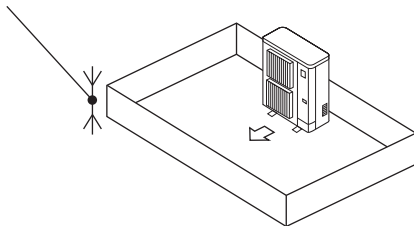
Install in a space with an installation area of A_{min} or more, corresponding to refrigerant quantity M (factory-charged refrigerant + locally added refrigerant).

M [kg]	A_{min} [m ²]
1.0	12
1.5	17
2.0	23
2.5	28
3.0	34
3.5	39
4.0	45
4.5	50
5.0	56
5.5	62
6.0	67
6.5	73
7.0	78
7.5	84

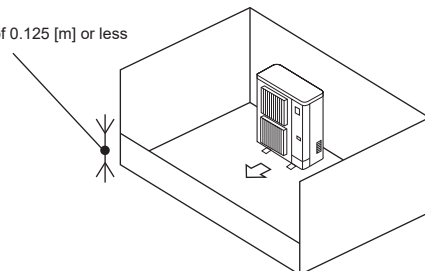


B) Install in a space with a depression height of ≤ 0.125 [m].

Height from the bottom of 0.125 [m] or less



Height from the bottom of 0.125 [m] or less

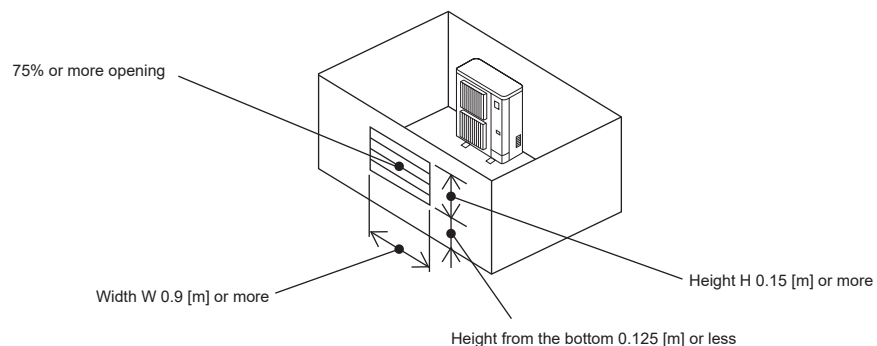


C) Create an appropriate ventilation open area.

Make sure that the width of the open area is 0.9 [m] or more and the height of the open area is 0.15 [m] or more.

However, the height from the bottom of the installation space to the bottom edge of the open area should be 0.125 [m] or less.

Open area should be 75% or more opening.



UNIT : mm

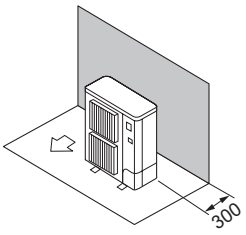


Fig. 1-6

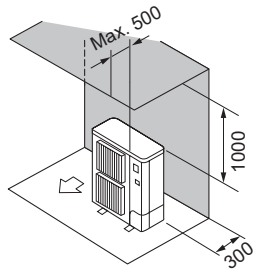


Fig. 1-7

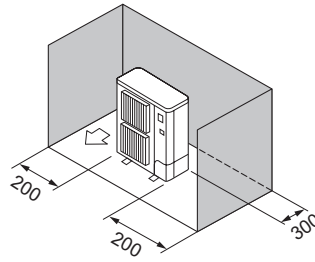


Fig. 1-8

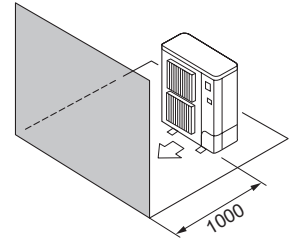


Fig. 1-9

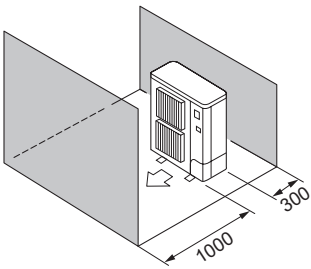


Fig. 1-10

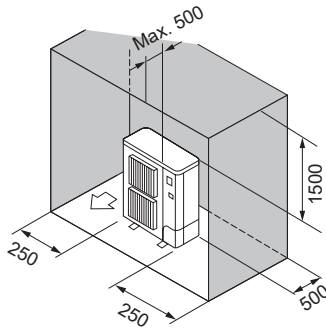


Fig. 1-11

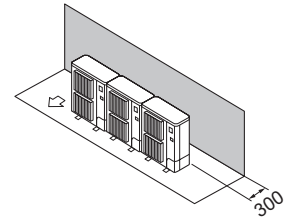


Fig. 1-12

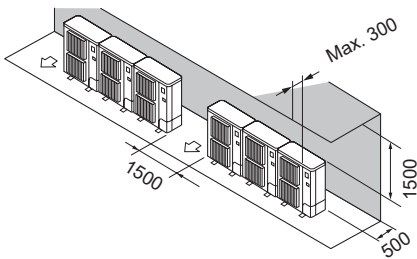


Fig. 1-13

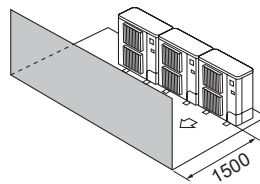


Fig. 1-14

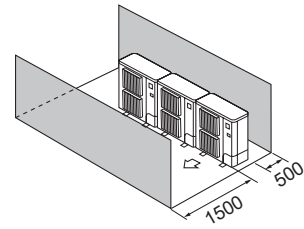


Fig. 1-15

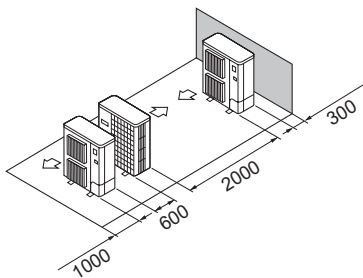


Fig. 1-16

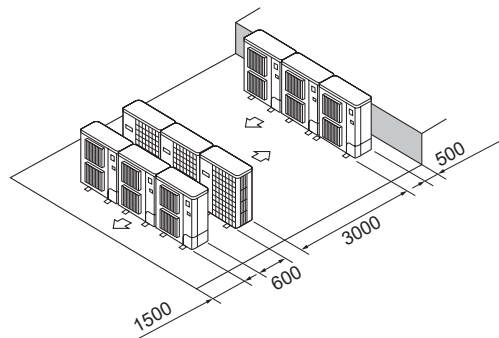


Fig. 1-17

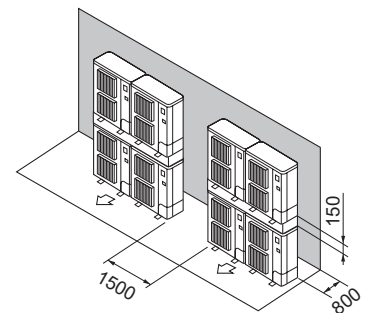


Fig. 1-18

2. Installation diagram

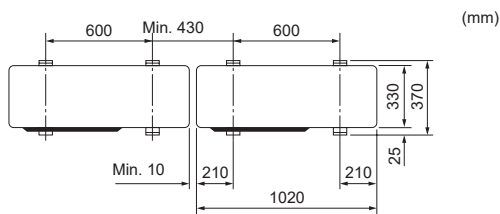
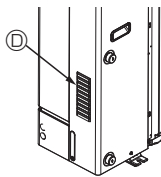
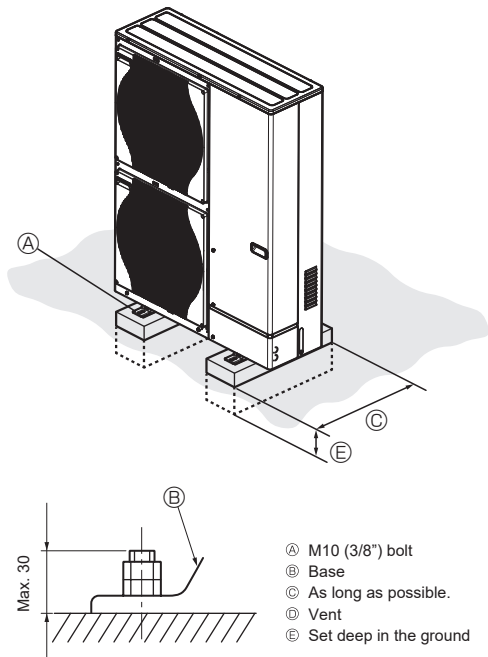


Fig. 2-1

- Be sure to install the unit in a sturdy, level surface to prevent rattling noises during operation. (Fig. 2-1)

<Foundation specifications>

Foundation bolt	M10 (3/8")
Thickness of concrete	120 mm
Length of bolt	70 mm
Weight-bearing capacity	320 kg

- Make sure that the length of the foundation bolt is within 30 mm of the bottom surface of the base.
- Secure the base of the unit firmly with four-M10 foundation bolts in sturdy locations.

Installing the outdoor unit

- Do not block the vent. If the vent is blocked, operation will be hindered and breakdown may result.
- In addition to the unit base, use the installation holes on the back of the unit to attach wires, etc., if necessary to install the unit. Use self-tapping screws ($\phi 5 \times 15$ mm or less) and install on site.

⚠ Warning:

- **The unit must be securely installed on a structure that can sustain its weight. If the unit is mounted on an unstable structure, it may fall down and cause damage or injuries.**
- **The unit must be installed according to the instructions in order to minimize the risk of damage from earthquakes, typhoons, or strong winds. An incorrectly installed unit may fall down and cause damage or injuries.**

⚠ Caution:

- **Install the unit on a rigid structure to prevent excessive operation sound or vibration.**

(2) Split-type units

■ SUZ-SWM40VA SUZ-SWM60VA SUZ-SWM80VA

1. Selecting the installation location

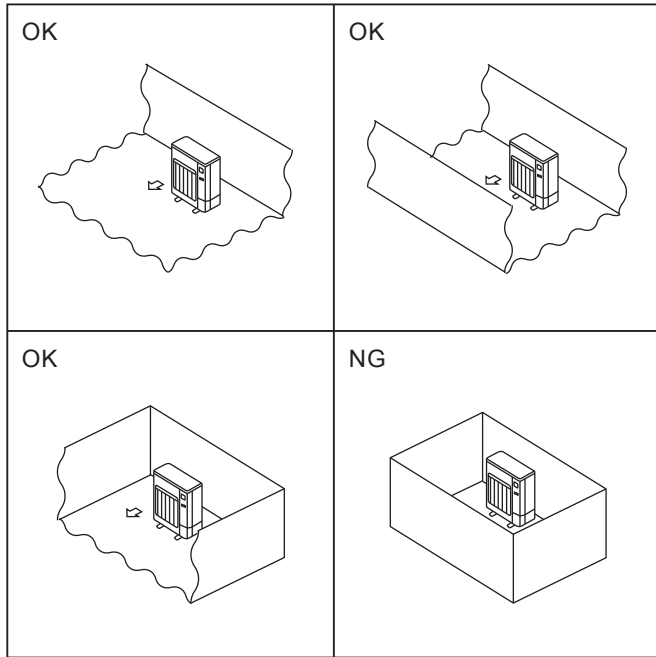


Fig. 1-1

1.1. Outdoor unit

- R32 is heavier than air—as well as other refrigerants—so tends to accumulate at the base (in the vicinity of the floor). If R32 accumulates around base, it may reach a flammable concentration in case room is small. To avoid ignition, maintaining a safe work environment is required by ensuring appropriate ventilation. If a refrigerant leak is confirmed in a room or an area where there is insufficient ventilation, refrain from using of flames until the work environment can be improved by ensuring appropriate ventilation.
- Where it is not exposed to strong wind.
- Where airflow is good and dustless.
- Where it is not causing the air short cycle.
- Where neighbours are not annoyed by operation sound or hot air.
- Where rigid wall or support is available to prevent the increase of operation sound or vibration.
- Where there is no risk of combustible gas leakage.
- When installing the unit at a high level, be sure to fix the unit legs.
- Where it is at least 3 m away from the antenna of TV set or radio. (Otherwise, images would be disturbed or noise would be generated.)
- Please install it in an area not affected by snowfall or blowing snow. In areas with heavy snow, please install a canopy, a pedestal and/or some baffle boards.
- Install the unit horizontally.
- Refrigerant pipes connection shall be accessible for maintenance purposes.
- Ⓞ Install outdoor units in a place where at least one of the four sides is open, and in a sufficiently large space without depressions. (Fig. 1-1)

⚠ Caution:

Avoid the following places for installation where air to water heat pump trouble is liable to occur.

- Where there is too much machine oil.
- Salty environment as seaside areas.
- Hot-spring areas.
- Where sulfide gas exists.
- Other special atmospheric areas.

The outdoor unit produces condensate during the heating operation. Select the installation place to ensure to prevent the outdoor unit and/or the grounds from being wet by drain water or damaged by frozen drain water.

Ⓞ 1.2. Minimum installation area

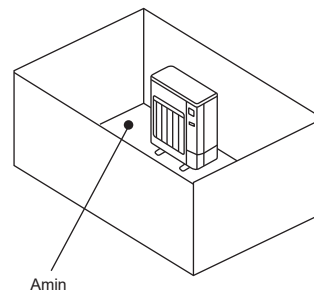
If you unavoidably install a unit in a space where all four sides are blocked or there are depressions, confirm that one of these situations (A, B or C) is satisfied.

Note: These countermeasures are for keeping safety not for specification guarantee.

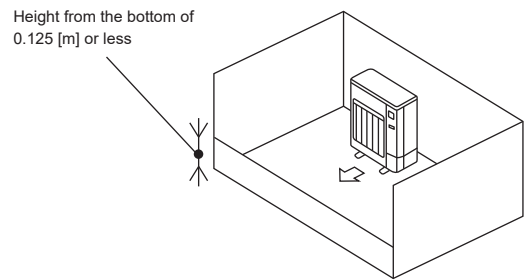
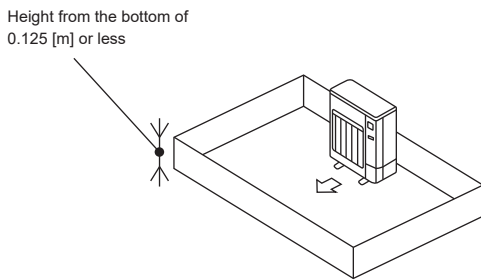
A) Secure sufficient installation space (minimum installation area Amin).

Install in a space with an installation area of Amin or more, corresponding to refrigerant quantity M (factory-charged refrigerant + locally added refrigerant).

M [kg]	Amin [m ²]
1.0	12
1.5	17
2.0	23
2.5	28
3.0	34
3.5	39
4.0	45
4.5	50
5.0	56
5.5	62
6.0	67
6.5	73
7.0	78
7.5	84

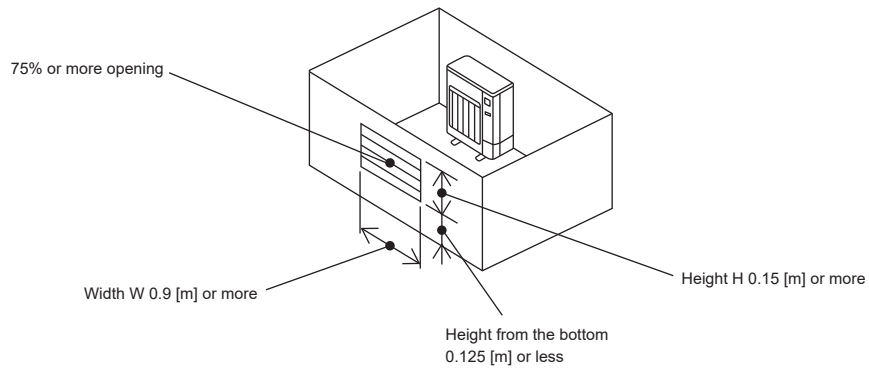


B) Install in a space with a depression height of ≤ 0.125 [m].



C) Create an appropriate ventilation open area.

Make sure that the width of the open area is 0.9 [m] or more and the height of the open area is 0.15 [m] or more. However, the height from the bottom of the installation space to the bottom edge of the open area should be 0.125 [m] or less. Open area should be 75% or more opening.



2. Installation diagram

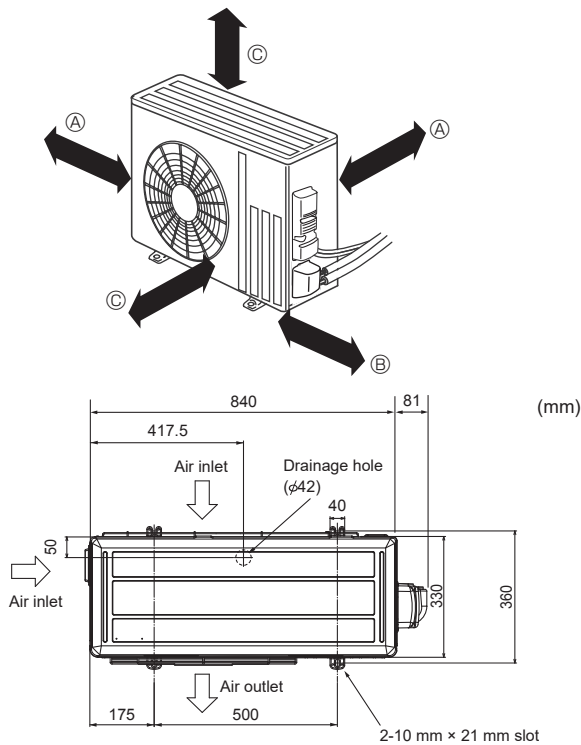


Fig. 2-1

2.1. Outdoor unit (Fig. 2-1)

Ventilation and service space

- Ⓐ 100 mm or more
- Ⓑ 350 mm or more
- Ⓒ 500 mm or more

When the piping is to be attached to a wall containing metals (tin plated) or metal netting, use a chemically treated wooden piece 20 mm or thicker between the wall and the piping or wrap 7 to 8 turns of insulation vinyl tape around the piping.

Units should be installed by licensed contractor accordingly to local code requirement.

Note:

When operating the air to water heat pump in low outside temperature, be sure to follow the instructions described below.

- Never install the outdoor unit in a place where its air inlet/outlet side may be exposed directly to wind.
- To prevent exposure to wind, install the outdoor unit with its air inlet side facing the wall.
- To prevent exposure to wind, it is recommended to install a baffle board on the air outlet side of the outdoor unit.

- SUZ-SWM30VA
- SUZ-SWM40VA2
- SUZ-SWM60VA2
- SUZ-SHWM30VAH
- SUZ-SHWM40VAH
- SUZ-SWM80VA2
- SUZ-SWM80VAH2
- SUZ-SWM100VA
- SUZ-SWM100VAH
- SUZ-SHWM60VAH

1. Selecting the installation location

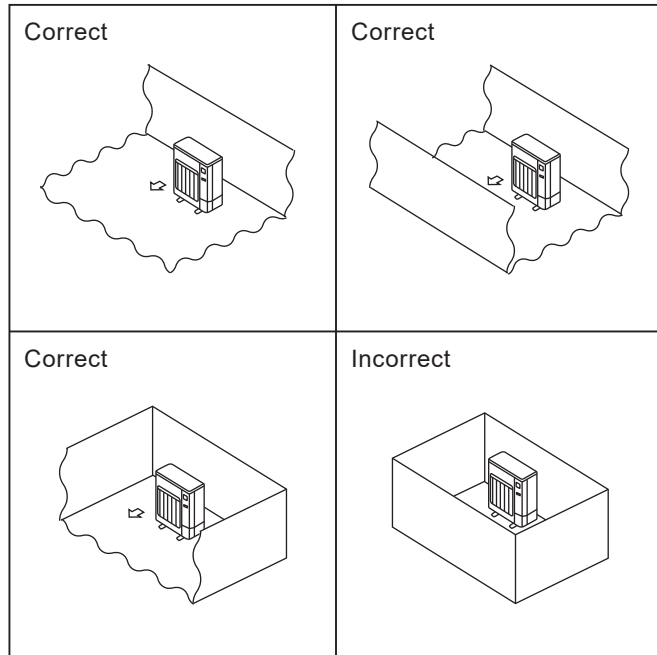


Fig. 1-1

1.1. Outdoor unit

- R32 is heavier than air—as well as other refrigerants—so tends to accumulate at the base (in the vicinity of the floor). If R32 accumulates around base, it may reach a flammable concentration in case room is small. To avoid ignition, maintaining a safe work environment is required by ensuring appropriate ventilation. If a refrigerant leak is confirmed in a room or an area where there is insufficient ventilation, refrain from using of flames until the work environment can be improved by ensuring appropriate ventilation.
- Where it is not exposed to strong wind.
- Where airflow is good and dustless.
- Where it is not causing the air short cycle.
- Where neighbours are not annoyed by operation sound or hot air.
- Where rigid wall or support is available to prevent the increase of operation sound or vibration.
- Where there is no risk of combustible gas leakage.
- When installing the unit at a high level, be sure to fix the unit legs.
- Where it is at least 3 m away from the antenna of TV set or radio. (Otherwise, images would be disturbed or noise would be generated.)
- Please install it in an area not affected by snowfall or blowing snow. In areas with heavy snow, please install a canopy, a pedestal and/or some baffle boards.
- Install the unit horizontally.
- Refrigerant pipes connection shall be accessible for maintenance purposes.
- Install outdoor units in a place where at least one of the four sides is open, and in a sufficiently large space without depressions. (Fig. 1-1)

⚠ Caution:

Avoid the following places for installation where air to water heat pump trouble is liable to occur.

- Where there is too much machine oil.
- Salty environment as seaside areas.
- Hot-spring areas.
- Where sulfide gas exists.
- Other special atmospheric areas.

The outdoor unit produces condensate during the heating operation. Select the installation place to ensure to prevent the outdoor unit and/or the grounds from being wet by drain water or damaged by frozen drain water.

1.2. Minimum installation area

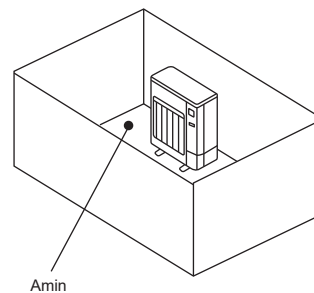
If you unavoidably install a unit in a space where all four sides are blocked or there are depressions, confirm that one of these situations (A, B or C) is satisfied.

Note: These countermeasures are for keeping safety not for specification guarantee.

A) Secure sufficient installation space (minimum installation area A_{min}).

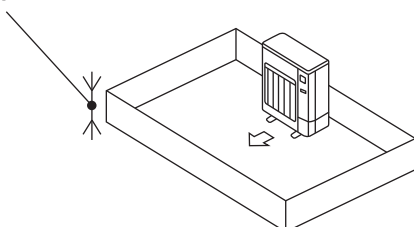
Install in a space with an installation area of A_{min} or more, corresponding to refrigerant quantity M (factory-charged refrigerant + locally added refrigerant).

M [kg]	A_{min} [m ²]
1.0	12
1.5	17
2.0	23
2.5	28
3.0	34
3.5	39
4.0	45
4.5	50
5.0	56
5.5	62
6.0	67
6.5	73
7.0	78
7.5	84

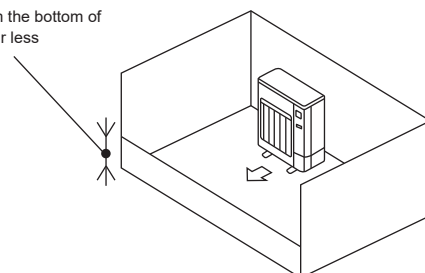


B) Install in a space with a depression height of ≤ 0.125 [m].

Height from the bottom of
0.125 [m] or less

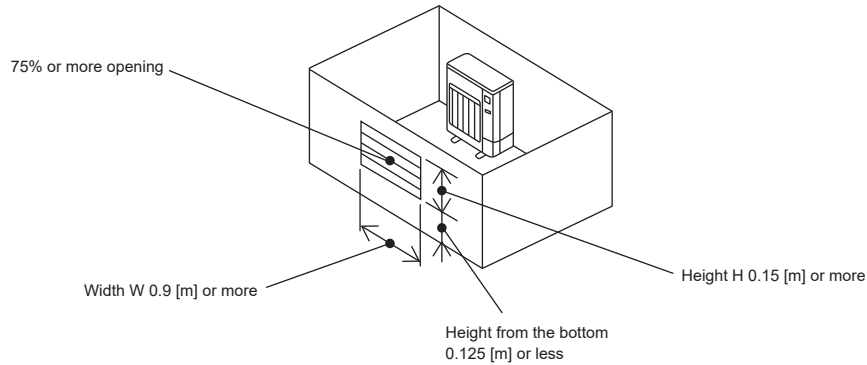


Height from the bottom of
0.125 [m] or less



C) Create an appropriate ventilation open area.

Make sure that the width of the open area is 0.9 [m] or more and the height of the open area is 0.15 [m] or more. However, the height from the bottom of the installation space to the bottom edge of the open area should be 0.125 [m] or less. Open area should be 75% or more opening.



Note:

About the indoor unit, there are no installation restrictions due to the use of R32 refrigerant. Please refer to the indoor unit installation manual and check the required installation area.

2. Installation diagram

2.1. Outdoor unit (Fig. 2-1)

Ventilation and service space

- Ⓐ 100 mm or more
- Ⓑ 350 mm or more
- Ⓒ 500 mm or more

When the piping is to be attached to a wall containing metals (tin plated) or metal netting, use a chemically treated wooden piece 20 mm or thicker between the wall and the piping or wrap 7 to 8 turns of insulation vinyl tape around the piping.

Units should be installed by licensed contractor accordingly to local code requirement.

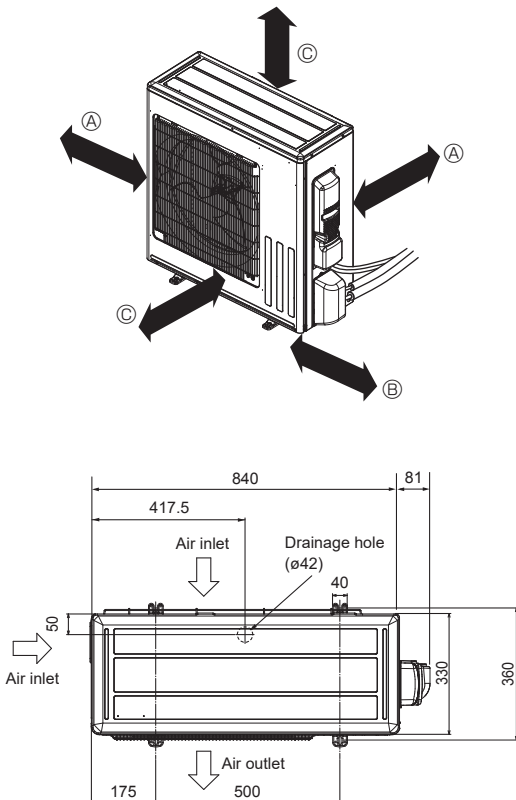
Note:

When operating the air to water heat pump in low outside temperature, be sure to follow the instructions described below.

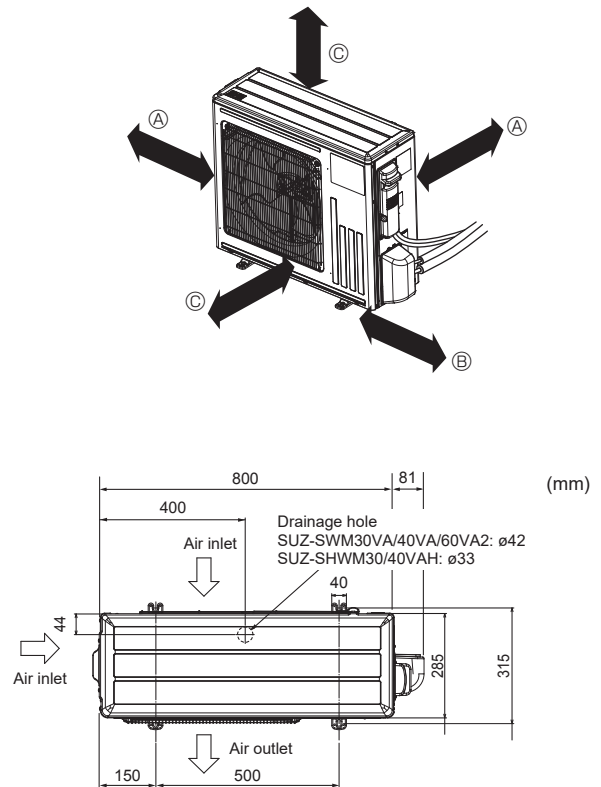
- Never install the outdoor unit in a place where its air inlet/outlet side may be exposed directly to wind.
- To prevent exposure to wind, install the outdoor unit with its air inlet side facing the wall.
- To prevent exposure to wind, it is recommended to install a baffle board on the air outlet side of the outdoor unit.

■ SUZ-SWM80VA2, SUZ-SWM80VAH2, SUZ-SWM100VA, SUZ-SWM100VAH, SUZ-SHWM60VAH

■ SUZ-SWM30VA, SUZ-SWM40VA2, SUZ-SWM60VA2, SUZ-SHWM30VAH, SUZ-SHWM40VAH



(mm)



(mm)

- PUD-SWM60VAA(-BS) PUD-SWM80VAA(-BS) PUD-SWM80YAA(-BS) PUD-SWM100VAA(-BS)
- PUD-SWM100YAA(-BS) PUD-SWM120VAA(-BS) PUD-SWM120YAA(-BS) PUD-SHWM60VAA(-BS)
- PUD-SHWM80VAA(-BS) PUD-SHWM80YAA(-BS) PUD-SHWM100VAA(-BS) PUD-SHWM100YAA(-BS)
- PUD-SHWM120VAA(-BS) PUD-SHWM120YAA(-BS) PUD-SHWM140VAA(-BS) PUD-SHWM140YAA(-BS)

1. Selecting the installation location

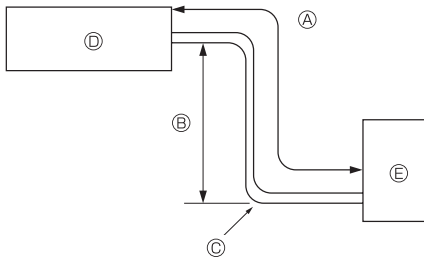


Fig. 1-1

1.1. Refrigerant pipe (Fig. 1-1)

- ▶ Check that the difference between the heights of the indoor and outdoor units, the length of refrigerant pipe, and the number of bends in the pipe are within the limits shown below.

Model	Ⓐ Pipe length (one way)	Ⓑ Height difference	Ⓒ Number of bends (one way)
SWM60 - 120	2 m - 30 m	Max. 30 m	Max. 10
SHWM60 - 120	2 m - 30 m	Max. 30 m	Max. 10
SHWM140	2 m - 25 m	Max. 25 m	Max. 10

- Height difference limitation is defined regardless of which unit, indoor or outdoor, is positioned higher.

- Ⓓ Indoor unit
- Ⓔ Outdoor unit

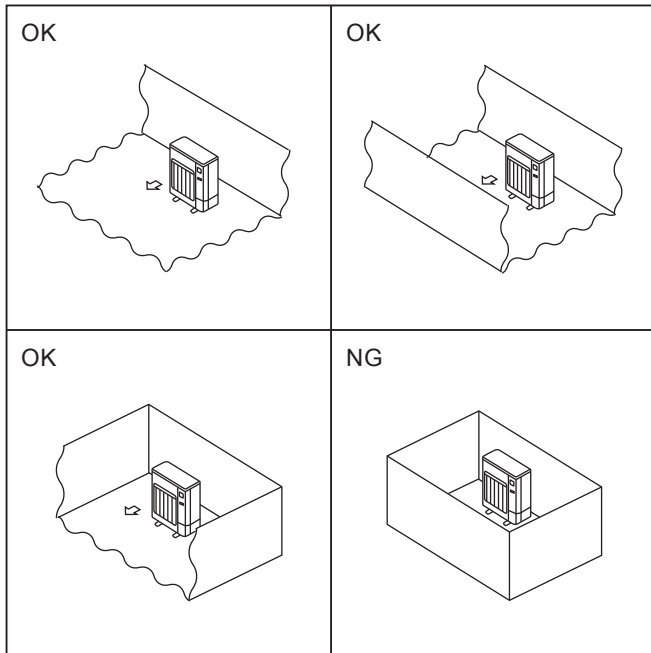


Fig. 1-2

1.2. Choosing the outdoor unit installation location

- R32 is heavier than air—as well as other refrigerants—so tends to accumulate at the base (in the vicinity of the floor). If R32 accumulates around base, it may reach a flammable concentration in case room is small. To avoid ignition, maintaining a safe work environment is required by ensuring appropriate ventilation, refraining from using of flames until the work environment can be improved by ensuring appropriate ventilation.
- Avoid locations exposed to direct sunlight or other sources of heat.
- Select a location from which noise emitted by the unit will not inconvenience neighbors.
- Select a location permitting easy wiring and pipe access to the power source and indoor unit.
- Avoid locations where combustible gases may leak, be produced, flow, or accumulate.
- Note that water may drain from the unit during operation.
- Select a level location that can bear the weight and vibration of the unit.
- Avoid locations where the unit can be covered by snow. In areas where heavy snow fall is anticipated, special precautions such as raising the installation location or installing a hood on the air intake must be taken to prevent the snow from blocking the air intake or blowing directly against it. This can reduce the airflow and a malfunction may result.
- Avoid locations exposed to oil, steam, or sulfuric gas.
- Use the transportation handles of the outdoor unit to transport the unit. If the unit is carried from the bottom, hands or fingers may be pinched.
- Refrigerant pipes connection shall be accessible for maintenance purposes.
- ⓪ Install outdoor units in a place where at least one of the four sides is open, and in a sufficiently large space without depressions. (Fig. 1-2)

⚠ CAUTION:

- **Perform grounding.**
Do not connect the ground wire to a gas pipe, water pipe arrester or telephone ground wire. Defective grounding could cause an electric shock.
- **Do not install the unit in a place where an inflammable gas leaks.**
If gas leaks and accumulates in the area surrounding the unit, it could cause an explosion.
- **Install a ground leakage breaker depending on the installation place (where it is humid).**
If a ground leakage breaker is not installed, it could cause an electric shock.
- **Perform the drainage/piping work securely according to the installation manual.**
If there is a defect in the drainage/piping work, water could drop from the unit and household goods could be wet and damaged.
- **Fasten a flare nut with a torque wrench as specified in this manual.**
When fastened too tight, a flare nut may be broken after a long period and cause a leakage of refrigerant.

(mm)

1.3. Outline dimensions (Outdoor unit) (Fig. 1-3)

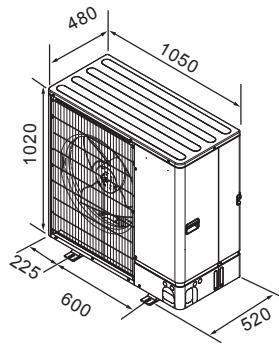


Fig. 1-3

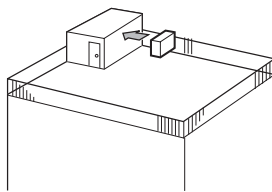


Fig. 1-4

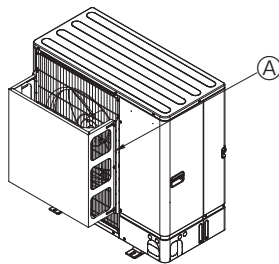


Fig. 1-5

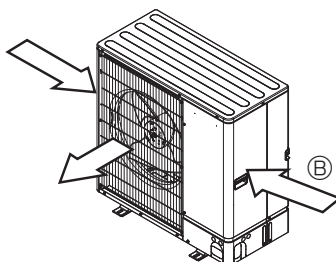


Fig. 1-6

1.4. Ventilation and service space

1.4.1. Windy location installation

When installing the outdoor unit on a rooftop or other location unprotected from the wind, situate the air outlet of the unit so that it is not directly exposed to strong winds. Strong wind entering the air outlet may impede the normal airflow and a malfunction may result.

The following shows three examples of precautions against strong winds.

- ① Face the air outlet towards the nearest available wall about 35 cm away from the wall. (Fig. 1-4)
- ② Install an optional air guide if the unit is installed in a location where strong winds from a typhoon, etc. may directly enter the air outlet. (Fig. 1-5)
 - Ⓐ Air outlet guide
- ③ Position the unit so that the air outlet blows perpendicularly to the seasonal wind direction, if possible. (Fig. 1-6)
 - Ⓑ Wind direction

1.4.2. When installing a single outdoor unit (Refer to the last page)

Minimum dimensions are as follows, except for Max., meaning Maximum dimensions, indicated.

Refer to the figures for each case.

- ① Obstacles at rear only (Fig. 1-7)
- ② Obstacles at rear and above only (Fig. 1-8)
 - Do not install the optional air outlet guides for upward airflow.
- ③ Obstacles at rear and sides only (Fig. 1-9)
- ④ Obstacles at front only (Fig. 1-10)
- ⑤ Obstacles at front and rear only (Fig. 1-11)
- ⑥ Obstacles at rear, sides, and above only (Fig. 1-12)
 - Do not install the optional air outlet guides for upward airflow.

1.4.3. When installing multiple outdoor units (Refer to the last page)

Leave 50 mm space or more between the units.

Refer to the figures for each case.

- ① Obstacles at rear only (Fig. 1-13)
- ② Obstacles at rear and above only (Fig. 1-14)
 - No more than 3 units must be installed side by side. In addition, leave space as shown.
 - Do not install the optional air outlet guides for upward airflow.
- ③ Obstacles at front only (Fig. 1-15)
- ④ Obstacles at front and rear only (Fig. 1-16)
- ⑤ Single parallel unit arrangement (Fig. 1-17)
 - * When using an optional air outlet guide installed for upward airflow, the clearance is 500 mm or more.
- ⑥ Multiple parallel unit arrangement (Fig. 1-18)
 - * When using an optional air outlet guide installed for upward airflow, the clearance is 1000 mm or more.
- ⑦ Stacked unit arrangement (Fig. 1-19)
 - The units can be stacked up to two units high.
 - No more than 2 stacked units must be installed side by side. In addition, leave space as shown.

1.5. Minimum installation area

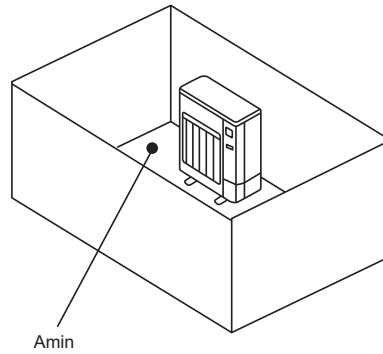
If you unavoidably install a unit in a space where all four sides are blocked or there are depressions, confirm that one of these situations (A, B or C) is satisfied.

Note: These countermeasures are for keeping safety not for specification guarantee.

A) Secure sufficient installation space (minimum installation area A_{min}).

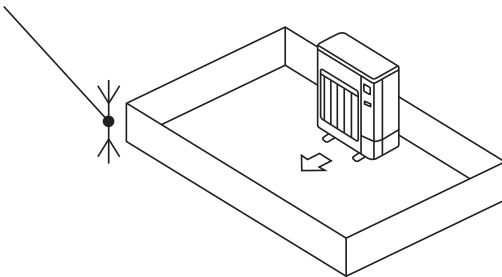
Install in a space with an installation area of A_{min} or more, corresponding to refrigerant quantity M (factory-charged refrigerant + locally added refrigerant).

M [kg]	A_{min} [m ²]
1.0	12
1.5	17
2.0	23
2.5	28
3.0	34
3.5	39
4.0	45
4.5	50
5.0	56
5.5	62
6.0	67
6.5	73
7.0	78
7.5	84

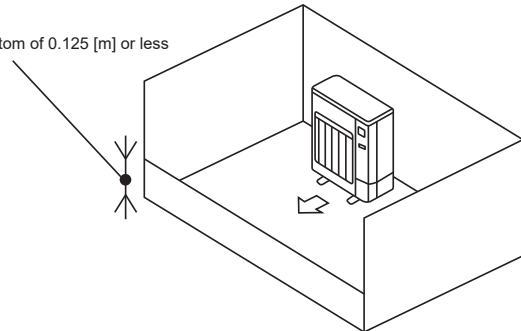


B) Install in a space with a depression height of ≤ 0.125 [m].

Height from the bottom of 0.125 [m] or less



Height from the bottom of 0.125 [m] or less

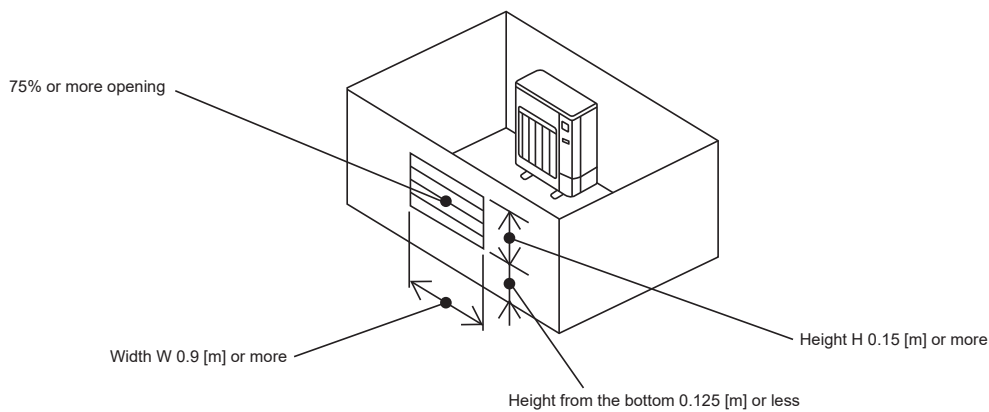


C) Create an appropriate ventilation open area.

Make sure that the width of the open area is 0.9 [m] or more and the height of the open area is 0.15 [m] or more.

However, the height from the bottom of the installation space to the bottom edge of the open area should be 0.125 [m] or less.

Open area should be 75% or more opening.



UNIT : mm

Outdoor unit

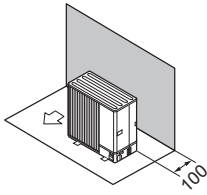


Fig. 1-7

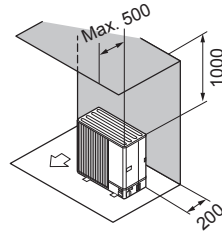


Fig. 1-8

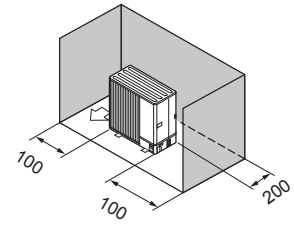


Fig. 1-9

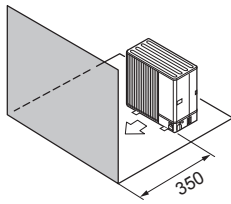


Fig. 1-10

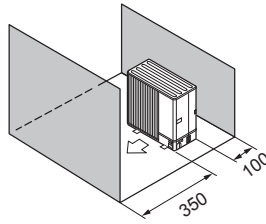


Fig. 1-11

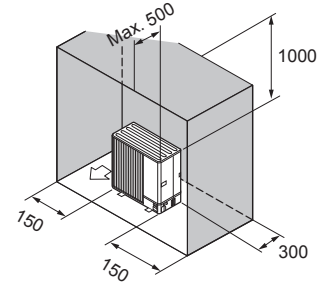


Fig. 1-12

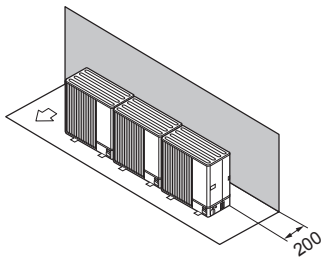


Fig. 1-13

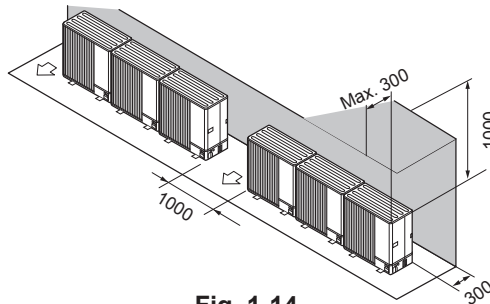


Fig. 1-14

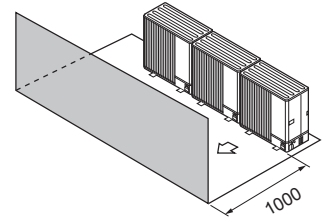


Fig. 1-15

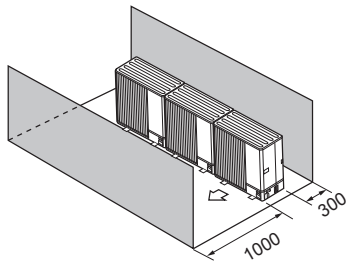


Fig. 1-16

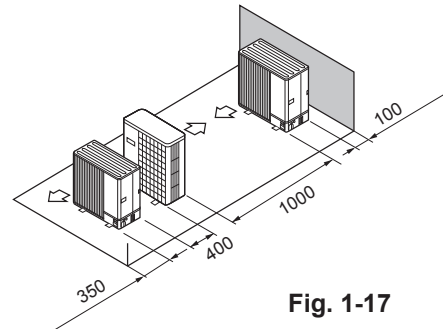


Fig. 1-17

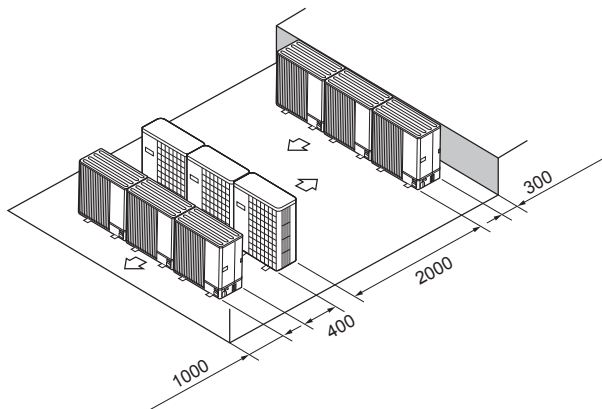


Fig. 1-18

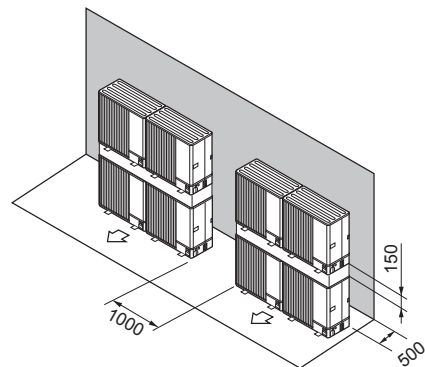
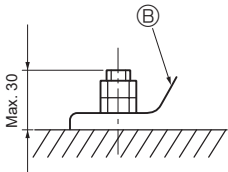
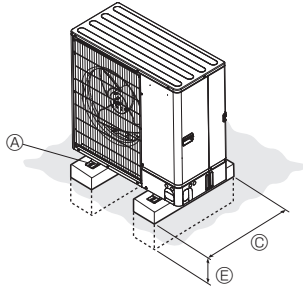


Fig. 1-19

2. Installation diagram

Outdoor unit

(mm)



- Ⓐ M10 (3/8") bolt
- Ⓑ Base
- Ⓒ As long as possible.
- Ⓓ Vent
- Ⓔ Set deep in the ground

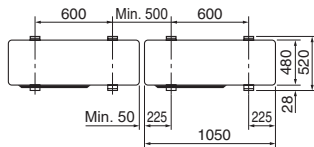
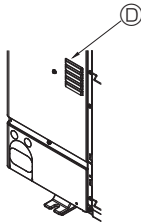


Fig. 2-1

- Be sure to install the unit in a sturdy, level surface to prevent rattling noises during operation. (Fig. 2-1)

<Foundation specifications>

Foundation bolt	M10 (3/8")
Thickness of concrete	120 mm
Length of bolt	70 mm
Weight-bearing capacity	320 kg

- Make sure that the length of the foundation bolt is within 30 mm of the bottom surface of the base.
- Secure the base of the unit firmly with four-M10 foundation bolts in sturdy locations.

Installing the outdoor unit

- Do not block the vent. If the vent is blocked, operation will be hindered and breakdown may result.
- In addition to the unit base, use the installation holes on the back of the unit to attach wires, etc., if necessary to install the unit. Use self-tapping screws ($\phi 5 \times 15$ mm or less) and install on site.

⚠ WARNING:

- The unit must be securely installed on a structure that can sustain its weight. If the unit is mounted on an unstable structure, it may fall down and cause damage or injuries.
- The unit must be installed according to the instructions in order to minimize the risk of damage from earthquakes, typhoons, or strong winds. An incorrectly installed unit may fall down and cause damage or injuries.

⚠ CAUTION:

- Install the unit on a rigid structure to prevent excessive operation sound or vibration.

Contents

1	Combination table	B-3
2	Specifications	B-7
	2.1. Cylinder unit	B-7
	2.2. Hydrobox	B-17
	2.3. Ground source heat pump (GSHP)	B-23
	2.4. Water to Water Heat Pump (WTW)	B-24
3	Performance data	B-25
	3.1. Combination Performance	B-25
	3.2. Heat time data (DHW mode)	B-37
	3.3. Ground source heat pump (GSHP)	B-38
	3.4. Water to Water Heat Pump (WTW)	B-39
	3.5. Noise criterion curves	B-40
4	Cylinder unit	B-42
	4.1. Outlines and dimensions	B-42
	4.2. Wiring diagrams	B-47
	4.3. Dip switch functions	B-55
	4.4. Field wiring	B-56
	4.5. Water circuit diagrams	B-66
	4.6. Installation	B-73
	4.7. System Set Up	B-81
	4.8. Service and Maintenance	B-97
5	Hydrobox	B-109
	5.1. Outlines and dimensions	B-109
	5.2. Wiring diagrams	B-114
	5.3. Dip switch functions	B-119
	5.4. Field wiring	B-120
	5.5. Water circuit diagrams	B-127
	5.6. Installation	B-130
	5.7. System Set Up	B-137
	5.8. Service and Maintenance	B-153
6	Ground source heat pump (GSHP)	B-163
	6.1. Outlines and dimensions	B-163
	6.2. Wiring diagrams	B-165
	6.3. Dip switch functions	B-166
	6.4. Field wiring	B-167
	6.5. Water circuit diagrams	B-174
	6.6. Installation	B-177
	6.7. System Set Up	B-184
	6.8. Service and Maintenance	B-206
	6.9. Supplementary information	B-218

Contents

7	Water to Water Heat Pump (WTW)	B-219
7.1.	Outlines and dimensions.....	B-219
7.2.	Wiring diagrams	B-221
7.3.	DIP Switch Function(FTC)	B-222
7.4.	Field wiring.....	B-223
7.5.	Water circuit diagrams	B-231
7.6.	Installation.....	B-235
7.7	System Set Up	B-244
7.8	Service and Maintenance	B-266
7.9.	Supplementary information	B-278

1 Combination table

Split indoor/outdoor unit combination		R32																R410A															
		POWER INVERTER												ZUBADAN				POWER INVERTER															
		SUZ-SWM40VA	SUZ-SWM60VA	SUZ-SWM80VA	SUZ-SWM30VA	SUZ-SHWM30VAH	SUZ-SWM40VA2(-SC)	SUZ-SHWM40VAH(-SC)	SUZ-SWM60VA2(-SC)	SUZ-SHWM60VAH(SC)	SUZ-SWM80VA2	SUZ-SWM80VAH2	SUZ-SWM100VA	SUZ-SWM100VAH	PUD-SWM60VAA	PUD-SWM80VYAA	PUD-SWM100VYAA	PUD-SWM120VYAA	PUD-SHWM60VAA	PUD-SHWM80VYAA	PUD-SHWM100VYAA	PUD-SHWM120VYAA	PUD-SHWM140VYAA	PUHZ-SW75VYAA	PUHZ-SW100VYAA	PUHZ-SW120VYHA	PUHZ-SW160YKA	PUHZ-SW200YKA					
Heating only Hydrobox	EHSD-MED	●	●	●	●	●	●	●	●	●	●	●	●	●	●	●	●	●	●	●	●	●	●										
	EHSD-VM2D	●	●	●	●	●	●	●	●	●	●	●	●	●	●	●	●	●	●	●	●	●	●										
	EHSD-VM6D	●	●	●	●	●	●	●	●	●	●	●	●	●	●	●	●	●	●	●	●	●	●										
	EHSD-VM9D	●	●	●	●	●	●	●	●	●	●	●	●	●	●	●	●	●	●	●	●	●	●										
	EHSD-VM9ED	●	●	●	●	●	●	●	●	●	●	●	●	●	●	●	●	●	●	●	●	●	●										
	EHSD-TM9D	●	●	●	●	●	●	●	●	●	●	●	●	●	●	●	●	●	●	●	●	●	●										
	EHSC-MED																								●	●							
	EHSC-VM2D																									●	●						
	EHSC-VM6D																										●	●					
	EHSC-VM9D																											●	●				
	EHSC-VM9ED																												●	●			
	EHSC-TM9D																													●	●		
	EHSE-VM9ED																													●	●		
	EHSE-MED																													●	●		
Reversible Hydrobox	ERSD-MED	●	●	●	●	●	●	●	●	●	●	●	●	▲	▲	▲	▲	▲	▲	▲	▲	▲	▲	●									
	ERSD-VM2D	●	●	●	●	●	●	●	●	●	●	●	●	▲	▲	▲	▲	▲	▲	▲	▲	▲	▲	●									
	ERSD-VM6D	●	●	●	●	●	●	●	●	●	●	●	●	▲	▲	▲	▲	▲	▲	▲	▲	▲	▲	●									
	ERSD-VM9D	●	●	●	●	●	●	●	●	●	●	●	●	▲	▲	▲	▲	▲	▲	▲	▲	▲	▲	●									
	ERSC-MED																									●	●						
	ERSC-VM2D																										●	●					
	ERSC-VM6D																											●	●				
	ERSC-VM9D																												●	●			
	ERSE-VM9ED																													●	●		
	ERSE-MED																													●	●		

- : Combination is available.
- ▲: Combination is possible but cooling function is still not available.
- Blank: Combination is NOT available.

1 Combination table

Split indoor/outdoor unit combination		R410A				ATA/ATW Hybrid system								
		ZUBADAN				Mr. SLIM+	PUMY					PXZ (R32)		
		PUHZ-SHW80V/YAA	PUHZ-SHW112V/YAA	PUHZ-SHW140YHA	PUHZ-SHW230YKA2		PUHZ-FRP71VHA2	PUMY-P12VKM5	PUMY-P125VKM5	PUMY-P140VKM5	PUMY-P12YKM(E)4	PUMY-P125YKM(E)4	PUMY-P140YKM(E)4	PXZ-4F75VG
Heating only Cylinder	EHST17D-VM2D												●	●
	EHST17D-YM9D												●	●
	EHST20D-MED													
	EHST20D-VM2D												●	●
	EHST20D-VM6D												●	●
	EHST20D-YM9D												●	●
	EHST20D-YM9ED												●	●
	EHST20D-TM9D												●	●
	EHST30D-MED													
	EHST30D-VM6ED												●	●
	EHST30D-YM9ED												●	●
	EHST30D-TM9ED												●	●
	EHST20C-MED	●	●	●		●								
	EHST20C-VM2D	●	●	●		●	●	●	●	●	●	●		
	EHST20C-VM6D	●	●	●		●	●	●	●	●	●	●		
	EHST20C-YM9D	●	●	●		●	●	●	●	●	●	●		
	EHST20C-YM9ED	●	●	●		●	●	●	●	●	●	●		
	EHST20C-TM9D	●	●	●		●	●	●	●	●	●	●		
	EHST30C-MED	●	●	●										
	EHST30C-VM6ED	●	●	●										
EHST30C-YM9ED	●	●	●											
EHST30C-TM9ED	●	●	●											
Reversible Cylinder	ERST17D-VM2D												▲	▲
	ERST17D-VM2BD													
	ERST17D-VM6D												▲	▲
	ERST17D-VM6BD													
	ERST17D-YM9BD													
	ERST20D-VM2D												▲	▲
	ERST20D-VM6D												▲	▲
	ERST20D-YM9D												▲	▲
	ERST30D-VM2ED												▲	▲
	ERST30D-VM6ED												▲	▲
	ERST30D-YM9ED												▲	▲
	ERST20C-VM2D	●	●	●										
	ERST20C-VM6D	●	●	●										
	ERST20C-YM9D	●	●	●										
	ERST30C-VM2ED	●	●	●										
	ERST30C-VM6ED	●	●	●										
	ERST30C-YM9ED	●	●	●										

- : Combination is available.
- ▲: Combination is possible but cooling function is still not available.
- Blank: Combination is NOT available.

1 Combination table

Cylinder unit
Hydrobox/GSHP/WTW

Split indoor/outdoor unit combination	R410A				ATA/ATW Hybrid system								
	ZUBADAN				Mr. SLIM	PUMY					PXZ (R32)		
	PUHZ-SHW80V/YAA	PUHZ-SHW112V/YAA	PUHZ-SHW140YHA	PUHZ-SHW230YKA2	PUHZ-FRP71VHA2	PUMY-P112V/KM5	PUMY-P125V/KM5	PUMY-P140V/KM5	PUMY-P112Y/KM(E)4	PUMY-P125Y/KM(E)4	PUMY-P140Y/KM(E)4	PXZ-4F75/G	PXZ-5F85/G
EHSD-MED													
EHSD-VM2D												●	●
EHSD-VM6D												●	●
EHSD-YM9D												●	●
EHSD-YM9ED												●	●
EHSD-TM9D												●	●
EHSC-MED	●	●	●		●								
EHSC-VM2D	●	●	●		●	●	●	●	●	●	●		
EHSC-VM6D	●	●	●		●	●	●	●	●	●	●		
EHSC-YM9D	●	●	●		●	●	●	●	●	●	●		
EHSC-YM9ED	●	●	●		●	●	●	●	●	●	●		
EHSC-TM9D	●	●	●		●	●	●	●	●	●	●		
EHSE-YM9ED				●									
EHSE-MED				●									
ERSD-MED													
ERSD-VM2D												▲	▲
ERSD-VM6D												▲	▲
ERSD-YM9D												▲	▲
ERSC-MED	●	●	●										
ERSC-VM2D	●	●	●										
ERSC-VM6D	●	●	●										
ERSC-YM9D	●	●	●										
ERSE-YM9ED				●									
ERSE-MED				●									

●: Combination is available.

▲: Combination is possible but cooling function is still not available.

Blank: Combination is NOT available.

Packaged indoor/outdoor unit combination	R32				
	POWER INVERTER				ZUBADAN
	PUZ-WM50VHA	PUZ-WM60VAA	PUZ-WM85V/YAA	PUZ-WM112V/YAA	PUZ-HWM140V/YHA
EHPT17X-VM2D	●	●	●		
EHPT17X-VM6D	●	●	●		
EHPT17X-YM9D	●	●	●		
EHPT20X-MED	●	●	●	●	●
EHPT20X-VM6D	●	●	●	●	●
EHPT20X-YM9D	●	●	●	●	●
EHPT20X-YM9ED	●	●	●	●	●
EHPT20X-TM9D	●	●	●	●	●
EHPT20X-MHEDW	●	●	●	●	●
EHPT30X-MED			●	●	●
EHPT30X-YM9ED			●	●	●
ERPT17X-VM2D	●	●	●		
ERPT20X-VM2D	●	●	●	●	●
ERPT20X-MD	●	●	●	●	●
ERPT20X-VM6D	●	●	●	●	●
ERPT30X-VM2ED			●	●	●
ERPT30X-VM6ED			●	●	●
EHPX-VM2D	●	●	●	●	●
EHPX-VM6D	●	●	●	●	●
EHPX-YM9D	●	●	●	●	●
EHPX-MED	●	●	●	●	●
EHPX-YM9ED	●	●	●	●	●
ERPX-MD	●	●	●	●	●
ERPX-VM2D	●	●	●	●	●
ERPX-VM6D	●	●	●	●	●
ERPX-YM9D	●	●	●	●	●

●: Combination is available.

Blank: Combination is NOT available.

2 Specifications

2.1. Cylinder unit

Model name			EHST17D-VM2D	EHST17D-YM9D	EHST20D-MED	EHST20D-VM2D	EHST20D-VM6D	EHST20D-YM9D		
Dimensions	Without package	Height	mm	1400	1400	1600	1600	1600	1600	
		Width	mm	595	595	595	595	595	595	
		Depth	mm	680	680	680	680	680	680	
	With package	Height	mm	1670	1670	1850	1850	1850	1850	
		Width	mm	660	660	660	660	660	660	
		Depth	mm	800	800	800	800	800	800	
Casing	Munsell	-	6.2PB 9/0.9	6.2PB 9/0.9	6.2PB 9/0.9	6.2PB 9/0.9	6.2PB 9/0.9	6.2PB 9/0.9		
	RAL code	-	260 90 05	260 90 05	260 90 05	260 90 05	260 90 05	260 90 05		
	Material	-	Pre-coated metal	Pre-coated metal	Pre-coated metal	Pre-coated metal	Pre-coated metal	Pre-coated metal		
Product weight (empty)	kg	93	96	93	99	100	102			
Product weight (full)	kg	269	274	299	305	306	310			
Gross weight	kg	109	111	110	116	117	119			
Water volume of heating circuit in the unit *1	L	3.4	5.7	3.5	3.5	3.5	5.8			
Type of Installation	-	Floor standing	Floor standing	Floor standing	Floor standing	Floor standing	Floor standing			
Electrical data	Control board *2 (Including 4 pumps)	Power supply	Ph	~N	~N	~N	~N	~N	~N	
			V	230	230	230	230	230	230	
			Hz	50	50	50	50	50	50	
		Input	kW	0.30	0.30	0.30	0.30	0.30	0.30	
			Current	A	1.95	1.95	1.95	1.95	1.95	1.95
			Breaker	A	10	10	10	10	10	10
	Booster heater	Power supply	Ph	~N	3~	-	~N	~N	3~	
			V	230	400	-	230	230	400	
			Hz	50	50	-	50	50	50	
		Capacity	kW	2	3+6	-	2	2+4	3+6	
		Heater step	-	1	3	-	1	3	3	
		Current	A	9	13	-	9	26	13	
	Immersion heater	Power supply	Ph	-	-	-	-	-	-	
			V	-	-	-	-	-	-	
			Hz	-	-	-	-	-	-	
		Capacity	kW	-	-	-	-	-	-	
		Current	A	-	-	-	-	-	-	
		Breaker	A	-	-	-	-	-	-	
	Water circulation pump (Primary circuit)	Type	-	DC motor	DC motor	DC motor	DC motor	DC motor	DC motor	
			Input (10/20/max L/min)*3	Speed 1	W	10/13/14	10/13/14	10/13/15	10/13/15	10/13/15
			Speed 2	W	16/21/24	16/21/24	16/21/27	16/21/27	16/21/27	16/21/27
			Speed 3	W	24/32/36	24/32/36	24/32/42	24/32/42	24/32/42	24/32/42
			Speed 4	W	34/46/54	34/46/54	34/46/58	34/46/58	34/46/58	34/46/58
		Performance curve: please refer to section 4.6.4	Current (10/20/max L/min)*3	Speed 5	W	47/58/60	47/58/60	47/58/60	47/58/60	47/58/60
Speed 1				A	0.2/0.2/0.3	0.2/0.2/0.3	0.2/0.2/0.3	0.2/0.2/0.3	0.2/0.2/0.3	
Speed 2				A	0.2/0.3/0.4	0.2/0.3/0.4	0.2/0.3/0.4	0.2/0.3/0.4	0.2/0.3/0.4	
Speed 3				A	0.3/0.4/0.5	0.3/0.4/0.5	0.3/0.4/0.5	0.3/0.4/0.5	0.3/0.4/0.5	
Speed 4				A	0.4/0.5/0.6	0.4/0.5/0.6	0.4/0.5/0.6	0.4/0.5/0.6	0.4/0.5/0.6	
Water circulation pump (DHW circuit)	Input	Speed I	W	55	55	55	55	55		
		Speed II (Default setting)	W	69	69	69	69	69		
		Speed III	W	80	80	80	80	80		
	Current	Speed I	A	0.25	0.25	0.25	0.25	0.25		
		Speed II (Default setting)	A	0.31	0.31	0.31	0.31	0.31		
		Speed III	A	0.34	0.34	0.34	0.34	0.34		
	Flow rate	Speed I	L/min	13.5	13.5	13.5	13.5	13.5		
		Speed II (Default setting)	L/min	19.0	19.0	19.0	19.0	19.0		
		Speed III	L/min	22.9	22.9	22.9	22.9	22.9		
	Flow rate	Primary circuit	Max.*4	L/min	25.8	25.8	36.9	36.9	36.9	
Min.*5			L/min	5.0	5.0	5.0	5.0	5.0		
Heat exchanger	Refrigerant - Primary circuit water	-	MWA1-44DM	MWA1-44DM	MWA1-44DM	MWA1-44DM	MWA1-44DM			
	Primary circuit water - Domestic hot water	-	CBH18-18H	CBH18-18H	CBH18-18H	CBH18-18H	CBH18-18H			
Domestic hot water tank	Volume	L	170	170	200	200	200			
	Material	-	Duplex 2304 stainless steel (EN10088)	Duplex 2304 stainless steel (EN10088)	Duplex 2304 stainless steel (EN10088)	Duplex 2304 stainless steel (EN10088)	Duplex 2304 stainless steel (EN10088)			
	Declared load profile	-	L	L	L	L	L			
		Average climate	η _{wh} (water heating efficiency) *6	-	135 to 148	135~148	141 to 159	141 to 159	141 to 159	
		P _{st} (standby power input) *6	kW	0.026 to 0.039	0.026~0.039	0.024 to 0.035	0.024 to 0.035	0.024 to 0.035		
		Water heater energy efficiency class	-	A+	A+	A+	A+	A+		
Heat loss *7	kWh/24hr	1.65	1.65	1.89	1.89	1.89				
Expansion vessel (Primary circuit)	Volume	L	12	12	-	12	12			
	Charge pressure	MPa	0.1	0.1	-	0.1	0.1			
Safety device	Primary circuit	Control thermostat	°C	1 to 80	1~80	1 to 80	1 to 80	1 to 80		
		Pressure relief valve	MPa	0.3	0.3	0.3	0.3	0.3		
		Flow sensor (Min. flow)	L/min	5.0	5.0	5.0	5.0	5.0		
		BH manual reset thermostat	°C	90	90	-	90	90		
		BH thermal Cut Off	°C	121	121	-	121	121		
	DHW tank	Control thermostat	°C	75	75	75	75	75		
		IH manual reset thermostat	°C	-	-	-	-	-		
		Temperature & pressure relief valve	°C	-	-	-	-	-		
		MPa	1.0	1.0	1.0	1.0	1.0			
		MPa	0.1	0.1	0.1	0.1	0.1			
Connections	Water	Primary circuit	mm	φ28	φ28	φ28	φ28			
		DHW circuit	mm	φ22	φ22	φ22	φ22			
	Refrigerant	Gas	mm	φ12.7	φ12.7	φ12.7	φ12.7			
		Liquid	mm	φ6.35	φ6.35	φ6.35	φ6.35			
Refrigerant *8	-	R32/R410A	R32/R410A	R32/R410A	R32/R410A	R32/R410A				
	Guaranteed operating range *9	Ambient	°C	0 to 35	0~35	0 to 35	0 to 35			
	%RH	≤80	≤80	≤80	≤80	≤80				
Operating range	Heating	Room temperature	°C	10 to 30	10~30	10 to 30	10 to 30			
		Flow temperature	°C	20 to 60	20~60	20 to 60	20 to 60			
	Cooling	Room temperature	°C	-	-	-	-			
		Flow temperature	°C	-	-	-	-			
DHW *10	°C	40 to 60	40~60	40 to 60	40 to 60	40 to 60				
	°C	60 to 70	60~70	60 to 70	60 to 70	60 to 70				
Sound power level (PWL)	dB(A)	41	41	41	41	41				

*1 Volume of sanitary water circuit, primary DHW circuit (from 3-way valve to confluent point with Heating circuit), piping to Expansion vessel, and Expansion vessel is not included in this value.
 *2 When powered from independent source.
 *3 Allowable flow rate range differs depending on connected outdoor unit. Please refer to section 4.6.4.
 *4 If the water flow rate range exceeds maximum, the flow speed will be greater than 2.0 m/s, which could corrode the pipes.
 *5 If the water flow is less than the minimum, the flow error will be activated.

*6 Hot water performance differs depending on connected outdoor unit.
 *7 24h temperature decay at top of the tank from 65degC at ambient temperature 20degC (BS EN 12897)
 *8 Refrigerant of outdoor unit connected to cylinder unit.
 *9 The environment must be frost-free.
 *10 For the model without both booster heater and immersion heater, the max. hot water temperature is [Max. outlet water of outdoor unit -3°C]. For the max. outlet of outdoor unit spec table.

2 Specifications

Model name			EHST20D-YM9ED	EHST20D-TM9D	EHST30D-MED	EHST30D-VM6ED	EHST30D-YM9ED	EHST30D-TM9ED		
Dimensions	Without package	Height	mm	1600	1600	2050	2050	2050	2050	
		Width	mm	595	595	595	595	595	595	
		Depth	mm	680	680	680	680	680	680	
	With package	Height	mm	1850	1850	2320	2320	2320	2320	
		Width	mm	660	660	660	660	660	660	
		Depth	mm	800	800	800	800	800	800	
Casing	Munsell	-	6.2PB 9/0.9	6.2PB 9/0.9	6.2PB 9/0.9	6.2PB 9/0.9	6.2PB 9/0.9	6.2PB 9/0.9		
	RAL code	-	260 90 05	260 90 05	260 90 05	260 90 05	260 90 05	260 90 05		
	Material	-	Pre-coated metal	Pre-coated metal	Pre-coated metal	Pre-coated metal	Pre-coated metal	Pre-coated metal		
Product weight (empty)		kg	96	102	113	115	117	117		
Product weight (full)		kg	305	310	420	422	426	426		
Gross weight		kg	113	119	132	135	136	136		
Water volume of heating circuit in the unit *1		L	5.8	5.8	3.9	3.9	6.2	6.2		
Type of Installation		-	Floor standing	Floor standing	Floor standing	Floor standing	Floor standing	Floor standing		
Electrical data	Control board *2 (Including 4 pumps)	Power supply	Ph	~N	~N	~N	~N	~N	~N	
			V	230	230	230	230	230	230	
			Hz	50	50	50	50	50	50	
		Input	kW	0.30	0.30	0.30	0.30	0.30	0.30	
			Current	A	1.95	1.95	1.95	1.95	1.95	1.95
			Breaker	A	10	10	10	10	10	10
	Booster heater	Power supply	Ph	3~	3~	-	-	3~	3~	
			V	400	230	-	230	400	230	
			Hz	50	50	-	50	50	50	
		Capacity	kW	3+6	3+6	-	2+4	3+6	3+6	
			Heater step	-	3	3	-	3	3	
			Current	A	13	23	-	26	13	23
	Breaker	A	16	32	-	32	16	32		
		Immersion heater	Power supply	Ph	-	-	-	-	-	-
				V	-	-	-	-	-	-
	Hz			-	-	-	-	-	-	
	Capacity		kW	-	-	-	-	-	-	
			Current	A	-	-	-	-	-	
Breaker			A	-	-	-	-	-		
Water circulation pump (Primary circuit)	Type	-	DC motor	DC motor	DC motor	DC motor	DC motor	DC motor		
		Input (10/20/max L/min)*3	Speed 1	W	10/13/15	10/13/15	10/13/15	10/13/15	10/13/15	
			Speed 2	W	16/21/27	16/21/27	16/21/27	16/21/27	16/21/27	
			Speed 3	W	24/32/42	24/32/42	24/32/42	24/32/42	24/32/42	
			Speed 4	W	34/46/58	34/46/58	34/46/58	34/46/58	34/46/58	
	Speed 5		W	47/58/60	47/58/60	47/58/60	47/58/60	47/58/60		
	Performance curve: please refer to section 4.6.4	Current (10/20/max L/min)*3	Speed 1	A	0.2/0.2/0.3	0.2/0.2/0.3	0.2/0.2/0.3	0.2/0.2/0.3	0.2/0.2/0.3	
			Speed 2	A	0.2/0.3/0.4	0.2/0.3/0.4	0.2/0.3/0.4	0.2/0.3/0.4	0.2/0.3/0.4	
			Speed 3	A	0.3/0.4/0.5	0.3/0.4/0.5	0.3/0.4/0.5	0.3/0.4/0.5	0.3/0.4/0.5	
			Speed 4	A	0.4/0.5/0.6	0.4/0.5/0.6	0.4/0.5/0.6	0.4/0.5/0.6	0.4/0.5/0.6	
Speed 5			A	0.5/0.6/0.6	0.5/0.6/0.6	0.5/0.6/0.6	0.5/0.6/0.6	0.5/0.6/0.6		
Water circulation pump (DHW circuit)	Input	Speed I	W	55	55	58	58	58		
		Speed II (Default setting)	W	69	69	72	72	72		
		Speed III	W	80	80	83	83	83		
	Current	Speed I	A	0.25	0.25	0.27	0.27	0.27		
		Speed II (Default setting)	A	0.31	0.31	0.33	0.33	0.33		
		Speed III	A	0.34	0.34	0.36	0.36	0.36		
Flow rate	Speed I	L/min	13.5	13.5	14.5	14.5	14.5			
	Speed II (Default setting)	L/min	19.0	19.0	21.0	21.0	21.0			
	Speed III	L/min	22.9	22.9	25.2	25.2	25.2			
Flow rate	Primary circuit	Max.*4	L/min	36.9	36.9	36.9	36.9	36.9		
		Min.*5	L/min	5.0	5.0	5.0	5.0	5.0		
Heat exchanger	Refrigerant - Primary circuit water	-	MWA1-44DM	MWA1-44DM	MWA1-44DM	MWA1-44DM	MWA1-44DM	MWA1-44DM		
	Primary circuit water - Domestic hot water	-	CBH18-18H	CBH18-18H	CBH18-24H	CBH18-24H	CBH18-24H	CBH18-24H		
Domestic hot water tank	Volume	L	200	200	300	300	300	300		
	Material	-	Duplex 2304 stainless steel (EN10088)	Duplex 2304 stainless steel (EN10088)	Duplex 2304 stainless steel (EN10088)	Duplex 2304 stainless steel (EN10088)	Duplex 2304 stainless steel (EN10088)	Duplex 2304 stainless steel (EN10088)		
	Declared load profile	-	L	L	XL	XL	XL	XL		
		Average climate	η_{wh} (water heating efficiency) *6	-	141 to 159	141 to 159	119 to 128	119 to 128	119 to 128	
			P_{st} (standby power input) *6	kW	0.024 to 0.035	0.024 to 0.035	0.026 to 0.041	0.026 to 0.041	0.026 to 0.041	
		Water heater energy efficiency class	-	A+	A+	A or A+	A or A+	A or A+		
Heat loss *7	kWh/24hr	1.89	1.89	2.27	2.27	2.27	2.27			
Expansion vessel (Primary circuit)	Volume	L	-	12	-	-	-			
	Charge pressure	MPa	-	0.1	-	-	-			
Safety device	Primary circuit	Control thermistor	°C	1 to 80	1 to 80	1 to 80	1 to 80	1 to 80		
		Pressure relief valve	MPa	0.3	0.3	0.3	0.3	0.3		
		Flow sensor (Min. flow)	L/min	5.0	5.0	5.0	5.0	5.0		
		BH manual reset thermostat	°C	90	90	-	90	90		
		BH thermal Cut Off	°C	121	121	-	121	121		
		DHW tank	Control thermistor	°C	75	75	75	75	75	
	IH manual reset thermostat		°C	-	-	-	-	-		
	Temperature & pressure relief valve		°C	-	-	-	-	-		
	MPa		1.0	1.0	1.0	1.0	1.0			
	Connections	Water	Primary circuit	mm	φ28	φ28	φ28	φ28	φ28	
DHW circuit			mm	φ22	φ22	φ22	φ22	φ22		
Refrigerant		Gas	mm	φ12.7	φ12.7	φ12.7	φ12.7	φ12.7		
		Liquid	mm	φ6.35	φ6.35	φ6.35	φ6.35	φ6.35		
Refrigerant *8	-	R32/R410A	R32/R410A	R32/R410A	R32/R410A	R32/R410A	R32/R410A			
	Guaranteed operating range *9	°C	0 to 35	0 to 35	0 to 35	0 to 35	0 to 35			
Operating range	Ambient	%RH	≤80	≤80	≤80	≤80	≤80			
		Outdoor temperature	°C	-	-	-	-	-		
	Heating	Room temperature	°C	10 to 30	10 to 30	10 to 30	10 to 30	10 to 30		
		Flow temperature	°C	20 to 60	20 to 60	20 to 60	20 to 60	20 to 60		
	Cooling	Room temperature	°C	-	-	-	-	-		
		Flow temperature	°C	-	-	-	-	-		
DHW *10	°C	40 to 60	40 to 60	40 to 60	40 to 60	40 to 60				
	Legionella prevention *10	°C	60 to 70	60 to 70	60 to 70	60 to 70	60 to 70			
Sound power level (PWL)		dB(A)	41	41	41	41	41			

*1 Volume of sanitary water circuit, primary DHW circuit (from 3-way valve to confluent point with Heating circuit), piping to Expansion vessel, and Expansion vessel is not included in this value.

*2 When powered from independent source.

*3 Allowable flow rate range differs depending on connected outdoor unit. Please refer to section 4.6.4.

*4 If the water flow rate range exceeds maximum, the flow speed will be greater than 2.0 m/s, which could corrode the pipes.

*5 If the water flow is less than the minimum, the flow error will be activated.

*6 Hot water performance differs depending on connected outdoor unit.

*7 24h temperature decay at top of the tank from 65degC at ambient temperature 20degC (BS EN 12897)

*8 Refrigerant of outdoor unit connected to cylinder unit.

*9 The environment must be frost-free.

*10 For the model without both booster heater and immersion heater, the max. hot water temperature is [Max. outlet water of outdoor unit -3°C]. For the max. outlet of outdoor unit spec table.

2 Specifications

Model name			EHST20C-MED	EHST20C-VM2D	EHST20C-VM6D	EHST20C-YM9D	EHST20C-YM9ED	EHST20C-TM9D	
Dimensions	Without package	Height	mm	1600	1600	1600	1600	1600	
		Width	mm	595	595	595	595	595	
		Depth	mm	680	680	680	680	680	
	With package	Height	mm	1850	1850	1850	1850	1850	
		Width	mm	660	660	660	660	660	
		Depth	mm	800	800	800	800	800	
Casing	Munsell	-	6.2PB 9/0.9	6.2PB 9/0.9	6.2PB 9/0.9	6.2PB 9/0.9	6.2PB 9/0.9	6.2PB 9/0.9	
	RAL code	-	260 90 05	260 90 05	260 90 05	260 90 05	260 90 05	260 90 05	
	Material	-	Pre-coated metal	Pre-coated metal	Pre-coated metal	Pre-coated metal	Pre-coated metal	Pre-coated metal	
Product weight (empty)	kg	103	110	110	112	107	112		
Product weight (full)	kg	310	317	318	322	316	322		
Gross weight	kg	120	127	127	129	124	129		
Water volume of heating circuit in the unit *1	L	4.6	4.6	4.6	6.9	6.9	6.9		
Type of Installation	-	Floor standing	Floor standing	Floor standing	Floor standing	Floor standing	Floor standing		
Electrical data	Control board *2 (Including 4 pumps)	Power supply	Ph	~N	~N	~N	~N	~N	
			V	230	230	230	230	230	
			Hz	50	50	50	50	50	
			Input	kW	0.30	0.30	0.30	0.30	0.30
			Current	A	1.95	1.95	1.95	1.95	1.95
			Breaker	A	10	10	10	10	10
		Booster heater	Power supply	Ph	-	~N	~N	3~	3~
				V	-	230	230	400	400
				Hz	-	50	50	50	50
			Capacity	kW	-	2	2+4	3+6	3+6
			Heater step	-	-	1	3	3	3
			Current	A	-	9	26	13	13
	Immersion heater	Power supply	Ph	-	-	-	-	-	
			V	-	-	-	-	-	
			Hz	-	-	-	-	-	
		Capacity	kW	-	-	-	-	-	
		Current	A	-	-	-	-	-	
		Breaker	A	-	-	-	-	-	
	Water circulation pump (Primary circuit)	Type	-	DC motor	DC motor	DC motor	DC motor	DC motor	
			Input (10/20/max L/min)*3	Speed 1	W	10/13/15	10/13/15	10/13/15	10/13/15
			Speed 2	W	16/21/27	16/21/27	16/21/27	16/21/27	16/21/27
			Speed 3	W	24/32/42	24/32/42	24/32/42	24/32/42	24/32/42
			Speed 4	W	34/46/58	34/46/58	34/46/58	34/46/58	34/46/58
			Speed 5	W	47/58/60	47/58/60	47/58/60	47/58/60	47/58/60
Performance curve: please refer to section 4.6.4		Current (10/20/max L/min)*3	Speed 1	A	0.2/0.2/0.3	0.2/0.2/0.3	0.2/0.2/0.3	0.2/0.2/0.3	
			Speed 2	A	0.2/0.3/0.4	0.2/0.3/0.4	0.2/0.3/0.4	0.2/0.3/0.4	
			Speed 3	A	0.3/0.4/0.5	0.3/0.4/0.5	0.3/0.4/0.5	0.3/0.4/0.5	
			Speed 4	A	0.4/0.5/0.6	0.4/0.5/0.6	0.4/0.5/0.6	0.4/0.5/0.6	
			Speed 5	A	0.5/0.6/0.6	0.5/0.6/0.6	0.5/0.6/0.6	0.5/0.6/0.6	
			Water circulation pump (DHW circuit)	Input	Speed I	W	58	58	58
Speed II (Default setting)	W	72			72	72	72		
Speed III	W	83			83	83	83		
Current	Speed I	A			0.27	0.27	0.27	0.27	
Speed II (Default setting)	A	0.33			0.33	0.33	0.33		
Speed III	A	0.36			0.36	0.36	0.36		
Flow rate	Speed I	L/min		14.5	14.5	14.5	14.5		
	Speed II (Default setting)	L/min		21.0	21.0	21.0	21.0		
	Speed III	L/min		25.2	25.2	25.2	25.2		
	Flow rate	Primary circuit		Max.*4	L/min	36.9	36.9	36.9	36.9
		Min.*5		L/min	5.0	5.0	5.0	5.0	
	Heat exchanger	Refrigerant - Primary circuit water		-	MWA2-38PA-4	MWA2-38PA-4	MWA2-38PA-4	MWA2-38PA-4	
Primary circuit water - Domestic hot water		-	CBH18-24H	CBH18-24H	CBH18-24H	CBH18-24H			
Domestic hot water tank	Volume	L	200	200	200	200			
	Material	-	Duplex 2304 stainless steel (EN10088)	Duplex 2304 stainless steel (EN10088)	Duplex 2304 stainless steel (EN10088)	Duplex 2304 stainless steel (EN10088)			
	Declared load profile	Average climate	η_{wh} (water heating efficiency) *6	-	L	L	L		
		P_{st} (standby power input) *6	kW	0.035	0.035	0.035	0.035		
		Water heater energy efficiency class	-	A+	A+	A+	A+		
		Heat loss *7	kWh/24hr	1.89	1.89	1.89	1.89		
Expansion vessel (Primary circuit)	Volume	L	-	12	12	12			
	Charge pressure	MPa	-	0.1	0.1	0.1			
	Safety device	Primary circuit	Control thermistor	°C	1 to 80	1 to 80	1 to 80	1 to 80	
Pressure relief valve			MPa	0.3	0.3	0.3	0.3		
Flow sensor (Min. flow)			L/min	5.0	5.0	5.0	5.0		
BH manual reset thermostat			°C	-	90	90	90		
BH thermal Cut Off			°C	-	121	121	121		
DHW tank			Control thermistor	°C	75	75	75	75	
		IH manual reset thermostat	°C	-	-	-	-		
		Temperature & pressure relief valve	°C	-	-	-	-		
		MPa	1.0	1.0	1.0	1.0			
		Connections	Water	Primary circuit	mm	\varnothing 28	\varnothing 28	\varnothing 28	\varnothing 28
				DHW circuit	mm	\varnothing 22	\varnothing 22	\varnothing 22	\varnothing 22
Refrigerant			Gas	mm	\varnothing 15.88	\varnothing 15.88	\varnothing 15.88	\varnothing 15.88	
	Liquid	mm	\varnothing 9.52	\varnothing 9.52	\varnothing 9.52	\varnothing 9.52			
Refrigerant *8	Guaranteed operating range *9	Ambient	°C	R410A	R410A	R410A	R410A		
		%RH	0 to 35	0 to 35	0 to 35	0 to 35			
	Operating range	Heating	Room temperature	°C	10 to 30	10 to 30	10 to 30	10 to 30	
			Flow temperature	°C	20 to 60	20 to 60	20 to 60	20 to 60	
		Cooling	Room temperature	°C	-	-	-	-	
			Flow temperature	°C	-	-	-	-	
DHW *10	°C	40 to 60	40 to 60	40 to 60	40 to 60				
	°C	60 to 70	60 to 70	60 to 70	60 to 70				
Sound power level (PWL)	dB(A)	40	40	40	40				

*1 Volume of sanitary water circuit, primary DHW circuit (from 3-way valve to confluent point with Heating circuit), piping to Expansion vessel, and Expansion vessel is not included in this value.
 *2 When powered from independent source.
 *3 Allowable flow rate range differs depending on connected outdoor unit. Please refer to section 4.6.4.
 *4 If the water flow rate range exceeds maximum, the flow speed will be greater than 2.0 m/s, which could corrode the pipes.
 *5 If the water flow is less than the minimum, the flow error will be activated.

*6 Hot water performance differs depending on connected outdoor unit.
 *7 24h temperature decay at top of the tank from 55degC at ambient temperature 20degC (BS EN 12897)
 *8 Refrigerant of outdoor unit connected to cylinder unit.
 *9 The environment must be frost-free.
 *10 For the model without both booster heater and immersion heater, the max. hot water temperature is [Max. outlet water of outdoor unit -3°C]. For the max. outlet of outdoor unit spec table.

2 Specifications

Model name				EHST30C-MED	EHST30C-VM6ED	EHST30C-YM9ED	EHST30C-TM9ED		
Dimensions	Without package	Height	mm	2050	2050	2050	2050		
		Width	mm	595	595	595	595		
		Depth	mm	680	680	680	680		
	With package	Height	mm	2320	2320	2320	2320		
		Width	mm	660	660	660	660		
		Depth	mm	800	800	800	800		
Casing	Munsell	-	6.2PB 9/0.9	6.2PB 9/0.9	6.2PB 9/0.9	6.2PB 9/0.9			
	RAL code	-	260 90 05	260 90 05	260 90 05	260 90 05			
	Material	-	Pre-coated metal	Pre-coated metal	Pre-coated metal	Pre-coated metal			
Product weight (empty)			kg	120	122	124	124		
Product weight (full)			kg	428	430	434	434		
Gross weight			kg	139	141	143	143		
Water volume of heating circuit in the unit *1			L	5.0	5.0	7.3	7.3		
Type of Installation			-	Floor standing	Floor standing	Floor standing	Floor standing		
Electrical data	Control board *2 (Including 4 pumps)	Power supply	Ph	~N	~N	~N	~N		
			V	230	230	230	230		
			Hz	50	50	50	50		
		Input	kW	0.30	0.30	0.30	0.30		
			Current	A	1.95	1.95	1.95	1.95	
			Breaker	A	10	10	10	10	
	Booster heater	Power supply	Ph	-	~N	3~	3~		
			V	-	230	400	230		
			Hz	-	50	50	50		
		Capacity	kW	-	2+4	3+6	3+6		
			Heater step	-	3	3	3		
			Current	A	-	26	13	23	
	Immersion heater	Power supply	Ph	-	-	-	-		
			V	-	-	-	-		
			Hz	-	-	-	-		
		Capacity	kW	-	-	-	-		
			Current	A	-	-	-		
			Breaker	A	-	-	-		
	Water circulation pump (Primary circuit)	Type	-	DC motor	DC motor	DC motor	DC motor		
			Input (10/20/max L/min)*3	Speed 1	W	10/13/15	10/13/15	10/13/15	10/13/15
				Speed 2	W	16/21/27	16/21/27	16/21/27	16/21/27
				Speed 3	W	24/32/42	24/32/42	24/32/42	24/32/42
				Speed 4	W	34/46/58	34/46/58	34/46/58	34/46/58
				Speed 5	W	47/58/60	47/58/60	47/58/60	47/58/60
Current (10/20/max L/min)*3		Speed 1	A	0.2/0.2/0.3	0.2/0.2/0.3	0.2/0.2/0.3	0.2/0.2/0.3		
		Speed 2	A	0.2/0.3/0.4	0.2/0.3/0.4	0.2/0.3/0.4	0.2/0.3/0.4		
		Speed 3	A	0.3/0.4/0.5	0.3/0.4/0.5	0.3/0.4/0.5	0.3/0.4/0.5		
		Speed 4	A	0.4/0.5/0.6	0.4/0.5/0.6	0.4/0.5/0.6	0.4/0.5/0.6		
		Speed 5	A	0.5/0.6/0.6	0.5/0.6/0.6	0.5/0.6/0.6	0.5/0.6/0.6		
		Water circulation pump (DHW circuit)	Input	Speed I	W	58	58	58	58
Speed II (Default setting)	W			72	72	72	72		
Speed III	W			83	83	83	83		
Current	Speed I		A	0.27	0.27	0.27	0.27		
	Speed II (Default setting)		A	0.33	0.33	0.33	0.33		
	Speed III		A	0.36	0.36	0.36	0.36		
Flow rate	Speed I		L/min	14.5	14.5	14.5	14.5		
	Speed II (Default setting)		L/min	21.0	21.0	21.0	21.0		
	Speed III		L/min	25.2	25.2	25.2	25.2		
Flow rate	Primary circuit		Max.*4	L/min	36.9	36.9	36.9	36.9	
			Min.*5	L/min	5.0	5.0	5.0	5.0	
Heat exchanger	Refrigerant - Primary circuit water		-	MWA2-38PA-4	MWA2-38PA-4	MWA2-38PA-4	MWA2-38PA-4		
	Primary circuit water - Domestic hot water		-	CBH18-24H	CBH18-24H	CBH18-24H	CBH18-24H		
Domestic hot water tank	Volume		L	300	300	300	300		
	Material		-	Duplex 2304 stainless steel (EN10088)	Duplex 2304 stainless steel (EN10088)	Duplex 2304 stainless steel (EN10088)	Duplex 2304 stainless steel (EN10088)		
	Declared load profile		-	XL	XL	XL	XL		
	Average climate	η_{wh} (water heating efficiency) *6	-	117 to 119	117 to 119	117 to 119	117 to 119		
		P_{st} (standby power input) *6	kW	0.041 to 0.043	0.041 to 0.043	0.041 to 0.043	0.041 to 0.043		
		Water heater energy efficiency class	-	A	A	A	A		
Heat loss *7		kWh/24hr	2.27	2.27	2.27	2.27			
Expansion vessel (Primary circuit)	Volume		L	-	-	-	-		
	Charge pressure		MPa	-	-	-	-		
Safety device	Primary circuit	Control thermistor	°C	1 to 80	1 to 80	1 to 80	1 to 80		
		Pressure relief valve	MPa	0.3	0.3	0.3	0.3		
		Flow sensor (Min. flow)	L/min	5.0	5.0	5.0	5.0		
		BH manual reset thermostat	°C	-	-	90	90		
		BH thermal Cut Off	°C	-	-	121	121		
	DHW tank	Control thermistor	°C	75	75	75	75		
		IH manual reset thermostat	°C	-	-	-	-		
		Temperature & pressure relief valve	°C	-	-	-	-		
			MPa	1.0	1.0	1.0	1.0		
			mm	φ28	φ28	φ28	φ28		
Connections	Water	Primary circuit	mm	φ28	φ28	φ28	φ28		
		DHW circuit	mm	φ22	φ22	φ22	φ22		
	Refrigerant	Gas	mm	φ15.88	φ15.88	φ15.88	φ15.88		
Liquid		mm	φ9.52	φ9.52	φ9.52	φ9.52			
Refrigerant *8			-	R410A	R410A	R410A	R410A		
Guaranteed operating range *9	Ambient	°C	0 to 35	0 to 35	0 to 35	0 to 35			
		%RH	≤ 80	≤ 80	≤ 80	≤ 80			
	Outdoor temperature	Heating	°C	See outdoor unit spec table					
		Cooling	°C	-	-	-	-		
Operating range	Heating	Room temperature	°C	10 to 30	10 to 30	10 to 30	10 to 30		
		Flow temperature	°C	20 to 60	20 to 60	20 to 60	20 to 60		
	Cooling	Room temperature	°C	-	-	-	-		
		Flow temperature	°C	-	-	-	-		
	DHW *10	°C	40 to 60	40 to 60	40 to 60	40 to 60			
		Legionella prevention *10	°C	60 to 70	60 to 70	60 to 70	60 to 70		
Sound power level (PWL)			dB(A)	40	40	40	40		

*1 Volume of sanitary water circuit, primary DHW circuit (from 3-way valve to confluent point with Heating circuit), piping to Expansion vessel, and Expansion vessel is not included in this value.

*2 When powered from independent source.

*3 Allowable flow rate range differs depending on connected outdoor unit. Please refer to section 4.6.4.

*4 If the water flow rate range exceeds maximum, the flow speed will be greater than 2.0 m/s, which could corrode the pipes.

*5 If the water flow is less than the minimum, the flow error will be activated.

*6 Hot water performance differs depending on connected outdoor unit.

*7 24h temperature decay at top of the tank from 55degC at ambient temperature 20degC (BS EN 12897)

*8 Refrigerant of outdoor unit connected to cylinder unit.

*9 The environment must be frost-free.

*10 For the model without both booster heater and immersion heater, the max. hot water temperature is [Max. outlet water of outdoor unit -3°C]. For the max. outlet of outdoor unit spec table.

2 Specifications

Cylinder unit/
Hydrobox/GSHP/WTW

Model name			ERST17D-VM2D	ERST17D-VM6D	ERST20D-VM2D	ERST20D-VM6D	ERST20D-VM9D	ERST30D-VM2ED		
Dimensions	Without package	Height	mm	1400	1400	1600	1600	1600	2050	
		Width	mm	595	595	595	595	595	595	
		Depth	mm	680	680	680	680	680	680	
	With package	Height	mm	1670	1670	1850	1850	1850	2320	
		Width	mm	660	660	660	660	660	660	
		Depth	mm	800	800	800	800	800	800	
Casing	Munsell	-	6.2PB 9/0.9	6.2PB 9/0.9	6.2PB 9/0.9	6.2PB 9/0.9	6.2PB 9/0.9	6.2PB 9/0.9		
	RAL code	-	260 90 05	260 90 05	260 90 05	260 90 05	260 90 05	260 90 05		
	Material	-	Pre-coated metal	Pre-coated metal	Pre-coated metal	Pre-coated metal	Pre-coated metal	Pre-coated metal		
Product weight (empty)		kg	94	94	100	100	102	115		
Product weight (full)		kg	269	273	306	306	310	422		
Gross weight		kg	109	110	117	117	119	134		
Water volume of heating circuit in the unit *1		L	3.4	5.7	3.5	3.5	5.8	3.9		
Type of Installation		-	Floor standing	Floor standing	Floor standing	Floor standing	Floor standing	Floor standing		
Electrical data	Control board *2 (Including 4 pumps)	Power supply	Ph	~N	~N	~N	~N	~N	~N	
			V	230	230	230	230	230	230	
			Hz	50	50	50	50	50	50	
		Input	kW	0.30	0.30	0.30	0.30	0.30	0.30	
			A	1.95	1.95	1.95	1.95	1.95	1.95	
			Breaker	A	10	10	10	10	10	10
	Booster heater	Power supply	Ph	~N	~N	~N	~N	3~	~N	
			V	230	230	230	230	400	230	
			Hz	50	50	50	50	50	50	
		Capacity	kW	2	2+4	2	2+4	3+6	2	
			Heater step	-	1	3	1	3	3	1
			Current	A	9	26	9	26	13	9
	Breaker	A	16	32	16	32	16	16		
		Immersion heater	Power supply	Ph	-	-	-	-	-	-
				V	-	-	-	-	-	-
	Hz			-	-	-	-	-	-	
	Capacity		kW	-	-	-	-	-	-	
			Current	A	-	-	-	-	-	
			Breaker	A	-	-	-	-	-	
	Water circulation pump (Primary circuit)	Type	-	DC motor	DC motor	DC motor	DC motor	DC motor	DC motor	
			Input (10/20/max L/min)*3	Speed 1	W	10/13/14	10/13/14	10/13/15	10/13/15	10/13/15
				Speed 2	W	16/21/24	16/21/24	16/21/27	16/21/27	16/21/27
				Speed 3	W	24/32/36	24/32/36	24/32/42	24/32/42	24/32/42
				Speed 4	W	34/46/54	34/46/54	34/46/58	34/46/58	34/46/58
Speed 5		W		47/58/60	47/58/60	47/58/60	47/58/60	47/58/60		
Performance curve: please refer to section 4.6.4		Current (10/20/max L/min)*3	Speed 1	A	0.2/0.2/0.3	0.2/0.2/0.3	0.2/0.2/0.3	0.2/0.2/0.3	0.2/0.2/0.3	
			Speed 2	A	0.2/0.3/0.4	0.2/0.3/0.4	0.2/0.3/0.4	0.2/0.3/0.4	0.2/0.3/0.4	
			Speed 3	A	0.3/0.4/0.5	0.3/0.4/0.5	0.3/0.4/0.5	0.3/0.4/0.5	0.3/0.4/0.5	
			Speed 4	A	0.4/0.5/0.6	0.4/0.5/0.6	0.4/0.5/0.6	0.4/0.5/0.6	0.4/0.5/0.6	
	Speed 5		A	0.5/0.6/0.6	0.5/0.6/0.6	0.5/0.6/0.6	0.5/0.6/0.6	0.5/0.6/0.6		
Water circulation pump (DHW circuit)	Input	Speed I	W	55	55	55	55	58		
		Speed II (Default setting)	W	69	69	69	69	72		
		Speed III	W	80	80	80	80	83		
	Current	Speed I	A	0.25	0.25	0.25	0.25	0.27		
		Speed II (Default setting)	A	0.31	0.31	0.31	0.31	0.33		
		Speed III	A	0.34	0.34	0.34	0.34	0.36		
	Flow rate	Speed I	L/min	13.5	13.5	13.5	13.5	14.5		
		Speed II (Default setting)	L/min	19.0	19.0	19.0	19.0	21.0		
		Speed III	L/min	22.9	22.9	22.9	22.9	25.2		
	Flow rate	Primary circuit	Max.*4	L/min	25.8	25.8	36.9	36.9	36.9	
Min.*5			L/min	5.0	5.0	5.0	5.0	5.0		
Heat exchanger	Refrigerant - Primary circuit water	-	MWA1-44DM	MWA1-44DM	MWA1-44DM	MWA1-44DM	MWA1-44DM	MWA1-44DM		
	Primary circuit water - Domestic hot water	-	CBH18-18H	CBH18-18H	CBH18-18H	CBH18-18H	CBH18-18H	CBH18-24H		
Domestic hot water tank	Volume	L	170	170	200	200	200	300		
	Material	-	Duplex 2304 stainless steel (EN10088)	Duplex 2304 stainless steel (EN10088)	Duplex 2304 stainless steel (EN10088)	Duplex 2304 stainless steel (EN10088)	Duplex 2304 stainless steel (EN10088)	Duplex 2304 stainless steel (EN10088)		
	Declared load profile	-	L	L	L	L	L	XL		
	Average climate	η_{th} (water heating efficiency) *6	-	135 to 148	135~148	141 to 159	141~159	141~159	119 to 128	
		P_{stb} (standby power input) *6	kW	0.026 to 0.039	0.026~0.039	0.024 to 0.035	0.024~0.035	0.024~0.035	0.026 to 0.041	
		Water heater energy efficiency class	-	A+	A+	A+	A+	A+	A or A+	
Heat loss *7	kWh/24hr	1.65	1.65	1.89	1.89	1.89	2.27			
Expansion vessel (Primary circuit)	Volume	L	12	12	12	12	12	-		
	Charge pressure	MPa	0.1	0.1	0.1	0.1	0.1	-		
Safety device	Primary circuit	Control thermistor	°C	1 to 80	1~80	1 to 80	1~80	1~80	1 to 80	
		Pressure relief valve	MPa	0.3	0.3	0.3	0.3	0.3	0.3	
		Flow sensor (Min. flow)	L/min	5.0	5.0	5.0	5.0	5.0	5.0	
		BH manual reset thermostat	°C	90	90	90	90	90	90	
		BH thermal Cut Off	°C	121	121	121	121	121	121	
	DHW tank	Control thermistor	°C	75	75	75	75	75	75	
		IH manual reset thermostat	°C	-	-	-	-	-	-	
		Temperature & pressure relief valve	°C	-	-	-	-	-	-	
		MPa	1.0	1.0	1.0	1.0	1.0	1.0		
		MPa	1.0	1.0	1.0	1.0	1.0	1.0		
Connections	Water	Primary circuit	mm	φ28	φ28	φ28	φ28	φ28		
		DHW circuit	mm	φ22	φ22	φ22	φ22	φ22		
	Refrigerant	Gas	mm	φ12.7	φ12.7	φ12.7	φ12.7	φ12.7		
		Liquid	mm	φ6.35	φ6.35	φ6.35	φ6.35	φ6.35		
Refrigerant *8	-	R32/R410A	R32/R410A	R32/R410A	R32/R410A	R32/R410A	R32/R410A			
Guaranteed operating range *9	Ambient	°C	0 to 35	0~35	0 to 35	0~35	0~35	0 to 35		
		%RH	≤80	≤80	≤80	≤80	≤80	≤80		
	Outdoor temperature	Heating	°C	See outdoor unit spec table						
Operating range	Heating	Room temperature	°C	10 to 46	10~46	10 to 46	10~46	10~46	10 to 46	
		Flow temperature	°C	10 to 30	10~30	10 to 30	10~30	10~30	10 to 30	
		Water temperature	°C	20 to 60	20~60	20 to 60	20~60	20~60	20 to 60	
	Cooling	Room temperature	°C	-	-	-	-	-	-	
		Flow temperature	°C	5 to 25	5~25	5 to 25	5~25	5~25	5 to 25	
		Water temperature	°C	40 to 60	40~60	40 to 60	40~60	40~60	40 to 60	
DHW *10	°C	60 to 70	60~70	60 to 70	60~70	60~70	60 to 70			
Legionella prevention *10	°C	60 to 70	60~70	60 to 70	60~70	60~70	60 to 70			
Sound power level (PWL)	dB(A)	41	41	41	41	41	41			

*1 Volume of sanitary water circuit, primary DHW circuit (from 3-way valve to confluent point with Heating circuit), piping to Expansion vessel, and Expansion vessel is not included in this value.
 *2 When powered from independent source.
 *3 Allowable flow rate range differs depending on connected outdoor unit. Please refer to section 4.6.4.
 *4 If the water flow rate range exceeds maximum, the flow speed will be greater than 2.0 m/s, which could corrode the pipes.
 *5 If the water flow is less than the minimum, the flow error will be activated.
 *6 Hot water performance differs depending on connected outdoor unit.
 *7 24h temperature decay at top of the tank from 65degC at ambient temperature 20degC (BS EN 12897)
 *8 Refrigerant of outdoor unit connected to cylinder unit.
 *9 The environment must be frost-free.
 *10 For the model without both booster heater and immersion heater, the max. hot water temperature is [Max. outlet water of outdoor unit -3°C]. For the max. outlet of outdoor unit spec table.

2 Specifications

Model name			ERST20C-VM2D	ERST20C-VM6D	ERST20C-VM9D	ERST30C-VM2ED	ERST30D-VM6ED	ERST30D-VM9ED	
Dimensions	Without package	Height	mm	1600	1600	1600	2050	2050	
		Width	mm	595	595	595	595	595	
		Depth	mm	680	680	680	680	680	
	With package	Height	mm	1850	1850	1850	2320	2320	
		Width	mm	660	660	660	660	660	
		Depth	mm	800	800	800	800	800	
Casing	Munsell	-	6.2PB 9/0.9	6.2PB 9/0.9	6.2PB 9/0.9	6.2PB 9/0.9	6.2PB 9/0.9	6.2PB 9/0.9	
	RAL code	-	260 90 05	260 90 05	260 90 05	260 90 05	260 90 05	260 90 05	
	Material	-	Pre-coated metal	Pre-coated metal	Pre-coated metal	Pre-coated metal	Pre-coated metal	Pre-coated metal	
Product weight (empty)		kg	100	111	112	120	116	117	
Product weight (full)		kg	317	318	322	428	423	426	
Gross weight		kg	127	128	129	139	135	137	
Water volume of heating circuit in the unit *1		L	4.6	4.6	6.9	5.0	3.9	6.2	
Type of Installation		-	Floor standing	Floor standing	Floor standing	Floor standing	Floor standing	Floor standing	
Electrical data	Control board *2 (Including 4 pumps)	Power supply	Ph	~N	~N	~N	~N	~N	
			V	230	230	230	230	230	
			Hz	50	50	50	50	50	
		Input	kW	0.30	0.30	0.30	0.30	0.30	
			Current	A	1.95	1.95	1.95	1.95	1.95
			Breaker	A	10	10	10	10	10
	Booster heater	Power supply	Ph	~N	~N	3~	~N	~N	
			V	230	230	400	230	230	
			Hz	50	50	50	50	50	
		Capacity	kW	2	2+4	3+6	2	2+4	
			Heater step	-	1	3	3	1	
			Current	A	9	26	13	9	
	Breaker	A	16	32	16	16	32		
		Capacity	kW	2	2+4	3+6	2	2+4	
		Heater step	-	1	3	3	1		
	Immersion heater	Power supply	Ph	-	-	-	-	-	
			V	-	-	-	-	-	
			Hz	-	-	-	-	-	
		Capacity	kW	-	-	-	-	-	
			Current	A	-	-	-	-	
			Breaker	A	-	-	-	-	
	Water circulation pump (Primary circuit)	Type	-	DC motor	DC motor	DC motor	DC motor	DC motor	
			Input (10/20/max L/min)*3	Speed 1	W	10/13/15	10/13/15	10/13/15	10/13/15
				Speed 2	W	16/21/27	16/21/27	16/21/27	16/21/27
Speed 3				W	24/32/42	24/32/42	24/32/42	24/32/42	
Speed 4				W	34/46/58	34/46/58	34/46/58	34/46/58	
Speed 5		W		47/58/60	47/58/60	47/58/60	47/58/60		
Current (10/20/max L/min)*3		Speed 1	A	0.2/0.2/0.3	0.2/0.2/0.3	0.2/0.2/0.3	0.2/0.2/0.3		
		Speed 2	A	0.2/0.3/0.4	0.2/0.3/0.4	0.2/0.3/0.4	0.2/0.3/0.4		
	Speed 3	A	0.3/0.4/0.5	0.3/0.4/0.5	0.3/0.4/0.5	0.3/0.4/0.5			
Water circulation pump (DHW circuit)	Input	Speed I	W	58	58	58	58		
		Speed II (Default setting)	W	72	72	72	72		
		Speed III	W	83	83	83	83		
	Current	Speed I	A	0.27	0.27	0.27	0.27		
		Speed II (Default setting)	A	0.33	0.33	0.33	0.33		
		Speed III	A	0.36	0.36	0.36	0.36		
	Flow rate	Speed I	L/min	14.5	14.5	14.5	14.5		
		Speed II (Default setting)	L/min	21.0	21.0	21.0	21.0		
Speed III		L/min	25.2	25.2	25.2	25.2			
Flow rate	Primary circuit	Max.*4	L/min	36.9	36.9	36.9	36.9		
	Min.*5	L/min	5.0	5.0	5.0	5.0			
Heat exchanger	Refrigerant - Primary circuit water	-	MWA2-38PA-4	MWA2-38PA-4	MWA2-38PA-4	MWA2-38PA-4	MWA1-44DM		
	Primary circuit water - Domestic hot water	-	CBH18-24H	CBH18-24H	CBH18-24H	CBH18-24H	CBH18-24H		
Domestic hot water tank	Volume	L	200	200	200	300	300		
	Material	-	Duplex 2304 stainless steel (EN10088)	Duplex 2304 stainless steel (EN10088)	Duplex 2304 stainless steel (EN10088)	Duplex 2304 stainless steel (EN10088)	Duplex 2304 stainless steel (EN10088)		
	Declared load profile	Average climate	η_{wh} (water heating efficiency) *6	-	139 to 145	139-145	139-145	117 to 119	
		P_{st} (standby power input) *6	kW	0.035	0.035	0.035	0.041 to 0.043	0.026-0.041	
		Water heater energy efficiency class	-	A+	A+	A+	A	A-A+	
		Heat loss *7	kWh/24hr	1.89	1.89	1.89	2.27	2.27	
Expansion vessel (Primary circuit)	Volume	L	12	12	12	-	-		
	Charge pressure	MPa	0.1	0.1	0.1	-	-		
Safety device	Primary circuit	Control thermistor	°C	1 to 80	1~80	1~80	1 to 80		
		Pressure relief valve	MPa	0.3	0.3	0.3	0.3		
		Flow sensor (Min. flow)	L/min	5.0	5.0	5.0	5.0		
		BH manual reset thermostat	°C	90	90	90	90		
		BH thermal Cut Off	°C	121	121	121	121		
	DHW tank	Control thermistor	°C	75	75	75	75		
		IH manual reset thermostat	°C	-	-	-	-		
		Temperature & pressure relief valve	°C	-	-	-	-		
			MPa	1.0	1.0	1.0	1.0		
			mm	φ28	φ28	φ28	φ28		
Connections	Water	Primary circuit	mm	φ28	φ28	φ28	φ28		
		DHW circuit	mm	φ22	φ22	φ22	φ22		
	Refrigerant	Gas	mm	φ15.88	φ15.88	φ15.88	φ12.7		
Liquid		mm	φ9.52	φ9.52	φ9.52	φ6.35			
Refrigerant *8		-	R410A	R410A	R410A	R32/R410A			
Guaranteed operating range *9	Ambient	°C	0 to 35	0~35	0~35	0 to 35			
		%RH	≤80	≤80	≤80	≤80			
	Outdoor temperature	Heating	°C	-	-	-	-		
		Cooling	°C	10 to 46	10~46	10~46	10 to 46		
Operating range	Heating	Room temperature	°C	10 to 30	10~30	10 to 30			
		Flow temperature	°C	20 to 60	20~60	20 to 60			
		Room temperature	°C	-	-	-			
	Cooling	Room temperature	°C	5 to 25	5~25	5 to 25			
		Flow temperature	°C	40 to 60	40~60	40 to 60			
		DHW *10	°C	60 to 70	60~70	60 to 70			
Legionella prevention *10		°C	60 to 70	60~70	60 to 70				
Sound power level (PWL)		dB(A)	40	40	40	41			

*1 Volume of sanitary water circuit, primary DHW circuit (from 3-way valve to confluent point with Heating circuit), piping to Expansion vessel, and Expansion vessel is not included in this value.
 *2 When powered from independent source.
 *3 Allowable flow rate range differs depending on connected outdoor unit. Please refer to section 4.6.4.
 *4 If the water flow rate range exceeds maximum, the flow speed will be greater than 2.0 m/s, which could corrode the pipes.
 *5 If the water flow is less than the minimum, the flow error will be activated.

*6 Hot water performance differs depending on connected outdoor unit.
 *7 24h temperature decay at top of the tank from 65degC at ambient temperature 20degC (BS EN 12897)
 *8 Refrigerant of outdoor unit connected to cylinder unit.
 *9 The environment must be frost-free.
 *10 For the model without both booster heater and immersion heater, the max. hot water temperature is [Max. outlet water of outdoor unit -3°C]. For the max. outlet of outdoor unit spec table.

2 Specifications

Model name				EHP17X-VM2D	EHP17X-VM6D	EHP17X-VM9D	ERPT17X-VM2D	EHP17X-MED	EHP17X-VM6D		
Dimensions	Without package	Height	mm	1400	1400	1400	1400	1600	1600		
		Width	mm	595	595	595	595	595	595		
		Depth	mm	680	680	680	680	680	680		
	With package	Height	mm	1670	1670	1670	1670	1850	1850		
		Width	mm	660	660	660	660	660	660		
		Depth	mm	800	800	800	800	800	800		
Casing	Munsell		-	6.2PB 9/0.9	6.2PB 9/0.9	6.2PB 9/0.9	6.2PB 9/0.9	6.2PB 9/0.9	6.2PB 9/0.9		
	RAL code		-	260 90 05	260 90 05	260 90 05	260 90 05	260 90 05	260 90 05		
	Material		-	Pre-coated metal	Pre-coated metal	Pre-coated metal	Pre-coated metal	Pre-coated metal	Pre-coated metal		
Product weight (empty)			kg	86	87	89	87	87	94		
Product weight (full)			kg	262	263	267	262	293	301		
Gross weight			kg	102	103	104	102	104	111		
Water volume of heating circuit in the unit *1			L	3.2	3.2	5.5	3.2	3.7	3.7		
Type of Installation			-	Floor standing	Floor standing	Floor standing	Floor standing	Floor standing	Floor standing		
Electrical data	Control board *2 (Including 4 pumps)	Power supply	Ph	~N	~N	~N	~N	~N	~N		
			V	230	230	230	230	230	230		
			Hz	50	50	50	50	50	50		
		Input	kW	0.30	0.30	0.30	0.30	0.30	0.30		
			Current	A	1.95	1.95	1.95	1.95	1.95	1.95	
			Breaker	A	10	10	10	10	10	10	
	Booster heater	Power supply	Ph	~N	~N	3~	~N	-	~N		
			V	230	230	400	230	-	230		
			Hz	50	50	50	50	-	50		
		Capacity	kW	2	2+4	3+6	2	-	2+4		
			Heater step	-	1	3	1	-	3		
			Current	A	9	26	13	9	-	26	
	Breaker	A	16	32	16	16	-	32			
		Immersion heater	Power supply	Ph	-	-	-	-	-		
				V	-	-	-	-	-		
	Hz			-	-	-	-	-			
	Capacity	kW	-	-	-	-	-	-			
		Current	A	-	-	-	-	-			
		Breaker	A	-	-	-	-	-			
	Water circulation pump (Primary circuit)	Type		-	DC motor	DC motor	DC motor	DC motor	DC motor	DC motor	
			Input (10/20/max L/min)*3	Speed 1	W	10/13/14	10/13/14	10/13/14	10/13/14	10/13/15	10/13/15
				Speed 2	W	16/21/24	16/21/24	16/21/24	16/21/24	16/21/27	16/21/27
				Speed 3	W	24/32/36	24/32/36	24/32/36	24/32/36	24/32/42	24/32/42
				Speed 4	W	34/46/54	34/46/54	34/46/54	34/46/54	34/46/58	34/46/58
Speed 5		W		47/58/60	47/58/60	47/58/60	47/58/60	47/58/60	47/58/60		
Performance curve: please refer to section 4.6.4		Current (10/20/max L/min)*3	Speed 1	A	0.2/0.2/0.3	0.2/0.2/0.3	0.2/0.2/0.3	0.2/0.2/0.3	0.2/0.2/0.3	0.2/0.2/0.3	
			Speed 2	A	0.2/0.3/0.4	0.2/0.3/0.4	0.2/0.3/0.4	0.2/0.3/0.4	0.2/0.3/0.4	0.2/0.3/0.4	
			Speed 3	A	0.3/0.4/0.5	0.3/0.4/0.5	0.3/0.4/0.5	0.3/0.4/0.5	0.3/0.4/0.5	0.3/0.4/0.5	
			Speed 4	A	0.4/0.5/0.6	0.4/0.5/0.6	0.4/0.5/0.6	0.4/0.5/0.6	0.4/0.5/0.6	0.4/0.5/0.6	
	Speed 5		A	0.5/0.6/0.6	0.5/0.6/0.6	0.5/0.6/0.6	0.5/0.6/0.6	0.5/0.6/0.6	0.5/0.6/0.6		
Water circulation pump (DHW circuit)	Input	Speed I	W	55	55	55	55	58	58		
		Speed II (Default setting)	W	69	69	69	69	72	72		
		Speed III	W	80	80	80	80	83	83		
	Current	Speed I	A	0.25	0.25	0.25	0.25	0.27	0.27		
		Speed II (Default setting)	A	0.31	0.31	0.31	0.31	0.33	0.33		
		Speed III	A	0.34	0.34	0.34	0.34	0.36	0.36		
	Flow rate	Speed I	L/min	13.5	13.5	13.5	13.5	14.5	14.5		
		Speed II (Default setting)	L/min	19.0	19.0	19.0	19.0	21.0	21.0		
		Speed III	L/min	22.9	22.9	22.9	22.9	25.2	25.2		
Flow rate	Primary circuit	Max.*4	L/min	25.8	25.8	25.8	25.8	36.9	36.9		
		Min.*5	L/min	5.0	5.0	5.0	5.0	5.0	5.0		
Heat exchanger	Refrigerant - Primary circuit water		-	-	-	-	-	-			
	Primary circuit water - Domestic hot water		-	CBH18-18H	CBH18-18H	CBH18-18H	CBH18-18H	CBH18-24H	CBH18-24H		
Domestic hot water tank	Volume	L	170	170	170	170	200	200			
	Material		-	Duplex 2304 stainless steel (EN10088)	Duplex 2304 stainless steel (EN10088)	Duplex 2304 stainless steel (EN10088)	Duplex 2304 stainless steel (EN10088)	Duplex 2304 stainless steel (EN10088)	Duplex 2304 stainless steel (EN10088)		
	Declared load profile	Average climate	η_{wh} (water heating efficiency) *6	-	120	120	120	120	135 to 148	135 to 148	
		P_{stb} (standby power input) *6	kW	0.039	0.039	0.039	0.039	0.035 to 0.037	0.035 to 0.037		
		Water heater energy efficiency class		-	A+	A+	A+	A+	A+		
		Heat loss *7	kWh/24hr	1.65	1.65	1.65	1.65	1.89	1.89		
		Volume	L	12	12	12	12	-	12		
Expansion vessel (Primary circuit)	Charge pressure	MPa	0.1	0.1	0.1	0.1	-	0.1			
	Safety device	Primary circuit	Control thermistor	°C	1 to 80	1 to 80	1 to 80	1 to 80	1 to 80	1 to 80	
Pressure relief valve			MPa	0.3	0.3	0.3	0.3	0.3	0.3		
Flow sensor (Min. flow)			L/min	5.0	5.0	5.0	5.0	5.0	5.0		
BH manual reset thermostat			°C	90	90	90	90	-	90		
BH thermal Cut Off			°C	121	121	121	121	-	121		
DHW tank		Control thermistor	°C	75	75	75	75	75	75		
		IH manual reset thermostat	°C	-	-	-	-	-	-		
		Temperature & pressure relief valve	°C	-	-	-	-	-	-		
			MPa	1.0	1.0	1.0	1.0	1.0	1.0		
			mm	φ28	φ28	φ28	φ28	φ28	φ28		
Connections	Water	Primary circuit	mm	φ28	φ28	φ28	φ28	φ28	φ28		
		DHW circuit	mm	φ22	φ22	φ22	φ22	φ22	φ22		
	Refrigerant	Gas	mm	-	-	-	-	-	-		
Liquid		mm	-	-	-	-	-	-			
Refrigerant *8	Guaranteed operating range *9	Ambient	°C	0 to 35	0 to 35	0 to 35	0 to 35	0 to 35	0 to 35		
			%RH	≤80	≤80	≤80	≤80	≤80	≤80		
	Outdoor temperature	Heating	°C	-	-	-	10 to 46	-	-		
		Cooling	°C	-	-	-	-	-	-		
Operating range	Heating	Room temperature	°C	10 to 30	10 to 30	10 to 30	10 to 30	10 to 30			
		Flow temperature	°C	20 to 60	20 to 60	20 to 60	20 to 60	20 to 60			
		Room temperature	°C	-	-	-	-	-			
	Cooling	Room temperature	°C	-	-	-	5 to 25	-			
		Flow temperature	°C	-	-	-	-	-			
		DHW *10	°C	40 to 60	40 to 60	40 to 60	40 to 60	40 to 60			
Legionella prevention *10	°C	60 to 70	60 to 70	60 to 70	60 to 70	60 to 70	60 to 70				
	dB(A)	40	40	40	40	40	40				

*1 Volume of sanitary water circuit, primary DHW circuit (from 3-way valve to confluent point with Heating circuit), piping to Expansion vessel, and Expansion vessel is not included in this value.
 *2 When powered from independent source.
 *3 Allowable flow rate range differs depending on connected outdoor unit. Please refer to section 4.6.4.
 *4 If the water flow rate range exceeds maximum, the flow speed will be greater than 2.0 m/s, which could corrode the pipes.
 *5 If the water flow is less than the minimum, the flow error will be activated.

*6 Hot water performance differs depending on connected outdoor unit.
 *7 24h temperature decay at top of the tank from 85degC at ambient temperature 20degC (BS EN 12897)
 *8 Refrigerant of outdoor unit connected to cylinder unit.
 *9 The environment must be frost-free.
 *10 For the model without both booster heater and immersion heater, the max. hot water temperature is [Max. outlet water of outdoor unit -3°C]. For the max. outlet of outdoor unit spec table.

2 Specifications

Cylinder unit
Hydrobox/GSHP/WTW

Model name				EHPT20X-YM9D	EHPT20X-YM9ED	EHPT20X-TM9D	EHPT20X-MHEDW	ERPT20X-MD	ERPT20X-VM2D	
Dimensions	Without package	Height	mm	1600	1600	1600	1600	1600	1600	
		Width	mm	595	595	595	595	595	595	
		Depth	mm	680	680	680	680	680	680	
	With package	Height	mm	1850	1850	1850	1850	1850	1850	
		Width	mm	660	660	660	660	660	660	
		Depth	mm	800	800	800	800	800	800	
Casing	Munsell	-	6.2PB 9/0.9	6.2PB 9/0.9	6.2PB 9/0.9	6.2PB 9/0.9	6.2PB 9/0.9	6.2PB 9/0.9		
	RAL code	-	260 90 05	260 90 05	260 90 05	260 90 05	260 90 05	260 90 05		
	Material	-	Pre-coated metal	Pre-coated metal	Pre-coated metal	Pre-coated metal	Pre-coated metal	Pre-coated metal		
Product weight (empty)	kg		96	90	96	94	93	94		
Product weight (full)	kg		304	299	304	300	299	300		
Gross weight	kg		113	107	113	111	110	111		
Water volume of heating circuit in the unit *1	L		6.0	6.0	6.0	3.7	3.7	3.7		
Type of installation	-		Floor standing	Floor standing	Floor standing	Floor standing	Floor standing	Floor standing		
Electrical data	Control board *2 (Including 4 pumps)	Power supply	Ph	~N	~N	~N	~N	~N	~N	
			V	230	230	230	230	230	230	
			Hz	50	50	50	50	50	50	
		Input	kW	0.30	0.30	0.30	0.30	0.30	0.30	
		Current	A	1.95	1.95	1.95	1.95	1.95	1.95	
		Breaker	A	10	10	10	10	10	10	
	Booster heater	Power supply	Ph	3~	3~	3~	-	-	~N	
			V	400	400	230	-	-	230	
			Hz	50	50	50	-	-	50	
		Capacity	kW	3+6	3+6	3+6	-	-	2	
		Heater step	-	3	3	3	-	-	1	
		Current	A	13	13	23	-	-	9	
	Immersion heater	Power supply	Ph	-	-	-	~N	-	-	
			V	-	-	-	230	-	-	
			Hz	-	-	-	50	-	-	
		Capacity	kW	-	-	-	3	-	-	
		Current	A	-	-	-	13	-	-	
		Breaker	A	-	-	-	16	-	-	
	Water circulation pump (Primary circuit)	Type	-	DC motor	DC motor	DC motor	DC motor	DC motor	DC motor	
			Input (10/20/max L/min)*3	Speed 1	W	10/13/15	10/13/15	10/13/15	10/13/15	10/13/15
				Speed 2	W	16/21/27	16/21/27	16/21/27	16/21/27	16/21/27
				Speed 3	W	24/32/42	24/32/42	24/32/42	24/32/42	24/32/42
				Speed 4	W	34/46/58	34/46/58	34/46/58	34/46/58	34/46/58
		Performance curve: please refer to section 4.6.4	Speed 5	W	47/58/60	47/58/60	47/58/60	47/58/60	47/58/60	
Current (10/20/max L/min)*3			Speed 1	A	0.2/0.2/0.3	0.2/0.2/0.3	0.2/0.2/0.3	0.2/0.2/0.3	0.2/0.2/0.3	
			Speed 2	A	0.2/0.3/0.4	0.2/0.3/0.4	0.2/0.3/0.4	0.2/0.3/0.4	0.2/0.3/0.4	
			Speed 3	A	0.3/0.4/0.5	0.3/0.4/0.5	0.3/0.4/0.5	0.3/0.4/0.5	0.3/0.4/0.5	
	Speed 4	A	0.4/0.5/0.6	0.4/0.5/0.6	0.4/0.5/0.6	0.4/0.5/0.6	0.4/0.5/0.6			
Water circulation pump (DHW circuit)	Input	Speed I	W	58	58	58	58	58		
		Speed II (Default setting)	W	72	72	72	72	72		
		Speed III	W	83	83	83	83	83		
	Current	Speed I	A	0.27	0.27	0.27	0.27	0.27		
		Speed II (Default setting)	A	0.33	0.33	0.33	0.33	0.33		
		Speed III	A	0.36	0.36	0.36	0.36	0.36		
	Flow rate	Speed I	L/min	14.5	14.5	14.5	14.5	14.5		
		Speed II (Default setting)	L/min	21.0	21.0	21.0	21.0	21.0		
		Speed III	L/min	25.2	25.2	25.2	25.2	25.2		
Flow rate	Primary circuit	Max.*4	L/min	36.9	36.9	36.9	36.9	36.9		
		Min.*5	L/min	5.0	5.0	5.0	5.0	5.0		
Heat exchanger	Refrigerant - Primary circuit water	-	-	-	-	-	-	-		
	Primary circuit water - Domestic hot water	-	CBH18-24H	CBH18-24H	CBH18-24H	CBH18-24H	CBH18-24H	CBH18-24H		
Domestic hot water tank	Volume	L	200	200	200	200	200	200		
	Material	-	Duplex 2304 stainless steel (EN10088)	Duplex 2304 stainless steel (EN10088)	Duplex 2304 stainless steel (EN10088)	Duplex 2304 stainless steel (EN10088)	Duplex 2304 stainless steel (EN10088)	Duplex 2304 stainless steel (EN10088)		
	Declared load profile	-	L	L	L	L	L	L		
	Average climate	η_{wh} (water heating efficiency) *6	-	135 to 148	135 to 148	135 to 148	135 to 148	135 to 148	135 to 148	
		P_{st} (standby power input) *6	kW	0.035 to 0.037	0.035 to 0.037	0.035 to 0.037	0.035 to 0.037	0.035 to 0.037	0.035 to 0.037	
	Water heater energy efficiency class	-	A+	A+	A+	A+	A+	A+		
Heat loss *7	kWh/24hr	1.89	1.89	1.89	1.89	1.89	1.89			
Expansion vessel (Primary circuit)	Volume	L	12	-	12	-	12	12		
	Charge pressure	MPa	0.1	-	0.1	-	0.1	0.1		
Safety device	Primary circuit	Control thermistor	°C	1 to 80	1 to 80	1 to 80	1 to 80	1 to 80	1 to 80	
		Pressure relief valve	MPa	0.3	0.3	0.3	0.3	0.3	0.3	
		Flow sensor (Min. flow)	L/min	5.0	5.0	5.0	5.0	5.0	5.0	
		BH manual reset thermostat	°C	90	90	90	-	-	90	
		BH thermal Cut Off	°C	121	121	121	-	-	121	
	DHW tank	Control thermistor	°C	75	75	75	75	75	75	
		IH manual reset thermostat	°C	-	-	-	85	-	-	
		Temperature & pressure relief valve	°C	-	-	-	90	-	-	
			MPa	1.0	1.0	1.0	0.7	1.0	1.0	
			mm	φ28	φ28	φ28	φ28	φ28	φ28	
Connections	Water	Primary circuit	mm	φ28	φ28	φ28	φ28	φ28		
		DHW circuit	mm	φ22	φ22	φ22	φ22	φ22		
	Refrigerant	Gas	mm	-	-	-	-	-		
		Liquid	mm	-	-	-	-	-		
Refrigerant *8	-	R32	R32	R32	R32	R32	R32			
Guaranteed operating range *9	Ambient	°C	0 to 35	0 to 35	0 to 35	0 to 35	0 to 35	0 to 35		
		%RH	≤80	≤80	≤80	≤80	≤80	≤80		
	Outdoor temperature	Heating	°C	-	-	-	-	10 to 46	10 to 46	
Operating range	Heating	Room temperature	°C	10 to 30	10 to 30	10 to 30	10 to 30	10 to 30		
		Flow temperature	°C	20 to 60	20 to 60	20 to 60	20 to 60	20 to 60		
	Cooling	Room temperature	°C	-	-	-	-	-		
		Flow temperature	°C	-	-	-	-	5 to 25	5 to 25	
	DHW *10	°C	40 to 60	40 to 60	40 to 60	40 to 60	40 to 60	40 to 60		
		Legionella prevention *10	°C	60 to 70	60 to 70	60 to 70	60 to 70	60 to 70	60 to 70	
Sound power level (PWL)	dB(A)	40	40	40	40	40	40			

*1 Volume of sanitary water circuit, primary DHW circuit (from 3-way valve to confluent point with Heating circuit), piping to Expansion vessel, and Expansion vessel is not included in this value.
 *2 When powered from independent source.
 *3 Allowable flow rate range differs depending on connected outdoor unit. Please refer to section 4.6.4.
 *4 If the water flow rate range exceeds maximum, the flow speed will be greater than 2.0 m/s, which could corrode the pipes.
 *5 If the water flow is less than the minimum, the flow error will be activated.

*6 Hot water performance differs depending on connected outdoor unit.
 *7 24h temperature decay at top of the tank from 65degC at ambient temperature 20degC (BS EN 12897)
 *8 Refrigerant of outdoor unit connected to cylinder unit.
 *9 The environment must be frost-free.
 *10 For the model without both booster heater and immersion heater, the max. hot water temperature is [Max. outlet water of outdoor unit -3°C]. For the max. outlet of outdoor unit spec table.

2 Specifications

Model name			ERPT20X-VM6D	EHPT30X-MED	EHPT30X-YM9ED	ERPT30X-VM2ED	ERPT30X-VM6ED		
Dimensions	Without package	Height	mm	1600	2050	2050	2050	2050	
		Width	mm	595	595	595	595	595	
		Depth	mm	680	680	680	680	680	
	With package	Height	mm	1850	2320	2320	2320	2320	
		Width	mm	660	660	660	660	660	
		Depth	mm	800	800	800	800	800	
Casing	Munsell	-	6.2PB 9/0.9	6.2PB 9/0.9	6.2PB 9/0.9	6.2PB 9/0.9	6.2PB 9/0.9		
	RAL code	-	260 90 05	260 90 05	260 90 05	260 90 05	260 90 05		
	Material	-	Pre-coated metal	Pre-coated metal	Pre-coated metal	Pre-coated metal	Pre-coated metal		
Product weight (empty)		kg	95	106	110	107	108		
Product weight (full)		kg	301	413	419	414	415		
Gross weight		kg	112	125	129	126	127		
Water volume of heating circuit in the unit *1		L	3.7	4.4	6.7	4.4	4.4		
Type of Installation		-	Floor standing	Floor standing	Floor standing	Floor standing	Floor standing		
Electrical data	Control board *2 (Including 4 pumps)	Power supply	Ph	~N	~N	~N	~N	~N	
			V	230	230	230	230	230	
			Hz	50	50	50	50	50	
		Input	kW	0.30	0.30	0.30	0.30	0.30	
			Current	A	1.95	1.95	1.95	1.95	1.95
			Breaker	A	10	10	10	10	10
	Booster heater	Power supply	Ph	~N	-	3~	~N	~N	
			V	230	-	400	230	230	
			Hz	50	-	50	50	50	
		Capacity	kW	2+4	-	3+6	2	2+4	
		Heater step	-	3	-	3	1	3	
		Current	A	26	-	13	9	26	
	Immersion heater	Power supply	Ph	-	-	-	-	-	
			V	-	-	-	-	-	
			Hz	-	-	-	-	-	
		Capacity	kW	-	-	-	-	-	
		Current	A	-	-	-	-	-	
		Breaker	A	-	-	-	-	-	
Water circulation pump (Primary circuit)	Type	-	DC motor	DC motor	DC motor	DC motor	DC motor		
		Input (10/20/max L/min)*3	Speed 1	W	10/13/15	10/13/15	10/13/15	10/13/15	
			Speed 2	W	16/21/27	16/21/27	16/21/27	16/21/27	
			Speed 3	W	24/32/42	24/32/42	24/32/42	24/32/42	
			Speed 4	W	34/46/58	34/46/58	34/46/58	34/46/58	
	Speed 5	W	47/58/60	47/58/60	47/58/60	47/58/60			
	Performance curve: please refer to section 4.6.4	Current (10/20/max L/min)*3	Speed 1	A	0.2/0.2/0.3	0.2/0.2/0.3	0.2/0.2/0.3	0.2/0.2/0.3	
			Speed 2	A	0.2/0.3/0.4	0.3/0.4/0.5	0.3/0.4/0.5	0.3/0.4/0.5	
			Speed 3	A	0.3/0.4/0.5	0.4/0.5/0.7	0.4/0.5/0.7	0.4/0.5/0.7	
			Speed 4	A	0.4/0.5/0.6	0.6/0.8/1.0	0.6/0.8/1.0	0.6/0.8/1.0	
Speed 5			A	0.5/0.6/0.6	0.9/1.1/1.4	0.9/1.1/1.4	0.9/1.1/1.4		
Water circulation pump (DHW circuit)	Input	Speed I	W	58	58	58	58		
		Speed II (Default setting)	W	72	72	72	72		
		Speed III	W	83	83	83	83		
	Current	Speed I	A	0.27	0.27	0.27	0.27		
		Speed II (Default setting)	A	0.33	0.33	0.33	0.33		
		Speed III	A	0.36	0.36	0.36	0.36		
	Flow rate	Speed I	L/min	14.5	14.5	14.5	14.5		
		Speed II (Default setting)	L/min	21.0	21.0	21.0	21.0		
		Speed III	L/min	25.2	25.2	25.2	25.2		
Flow rate	Primary circuit	Max.*4	L/min	36.9	36.9	36.9	36.9		
	Min.*5	L/min	5.0	5.0	5.0	5.0			
Heat exchanger	Refrigerant - Primary circuit water	-	-	-	-	-	-		
	Primary circuit water - Domestic hot water	-	CBH18-24H	CBH18-24H	CBH18-24H	CBH18-24H	CBH18-24H		
Domestic hot water tank	Volume	L	200	300	300	300	300		
	Material	-	Duplex 2304 stainless steel (EN10088)	Duplex 2304 stainless steel (EN10088)	Duplex 2304 stainless steel (EN10088)	Duplex 2304 stainless steel (EN10088)	Duplex 2304 stainless steel (EN10088)		
	Declared load profile	-	L	XL	XL	XL	XL		
	Average climate	η_{wh} (water heating efficiency) *6	-	135 to 148	120	120	120	120	
		P_{sc} (standby power input) *6	kW	0.035 to 0.037	0.040 to 0.042	0.040 to 0.042	0.040 to 0.042	0.040 to 0.042	
		Water heater energy efficiency class	-	A+	A	A	A	A	
Heat loss *7	kWh/24hr	1.89	2.27	2.27	2.27	2.27			
Expansion vessel (Primary circuit)	Volume	L	12	-	-	-	-		
	Charge pressure	MPa	0.1	-	-	-	-		
Safety device	Primary circuit	Control thermostat	°C	1 to 80	1 to 80	1 to 80	1 to 80	1-80	
		Pressure relief valve	MPa	0.3	0.3	0.3	0.3	0.3	
		Flow sensor (Min. flow)	L/min	5.0	5.0	5.0	5.0	5.0	
		BH manual reset thermostat	°C	90	-	90	90	90	
		BH thermal Cut Off	°C	121	-	121	121	121	
	DHW tank	Control thermostat	°C	75	75	75	75	75	
		IH manual reset thermostat	°C	-	-	-	-	-	
		Temperature & pressure relief valve	°C	-	-	-	-	-	
			MPa	1.0	1.0	1.0	1.0	1.0	
			mm	φ28	φ28	φ28	φ28	φ28	
Connections	Water	Primary circuit	mm	φ28	φ28	φ28	φ28		
		DHW circuit	mm	φ22	φ22	φ22	φ22		
	Refrigerant	Gas	mm	-	-	-	-		
		Liquid	mm	-	-	-	-		
Refrigerant *8	Guaranteed operating range *9	Ambient	°C	0 to 35	0 to 35	0 to 35	0 to 35		
			%RH	≤80	≤80	≤80	≤80		
		Outdoor temperature	Heating	°C	See outdoor unit spec table				
	Operating range	Heating	Room temperature	°C	10 to 30	10 to 30	10 to 30	10-30	
			Flow temperature	°C	20 to 60	20 to 60	20 to 60	20-60	
		Cooling	Room temperature	°C	-	-	-	-	
Flow temperature	°C		5 to 25	-	-	5 to 25	5-25		
DHW *10		°C	40 to 60	40 to 60	40 to 60	40 to 60			
	Legionella prevention *10	°C	60 to 70	60 to 70	60 to 70	60 to 70			
Sound power level (PWL)		dB(A)	40	40	40	40	40		

*1 Volume of sanitary water circuit, primary DHW circuit (from 3-way valve to confluent point with Heating circuit), piping to Expansion vessel, and Expansion vessel is not included in this value.
 *2 When powered from independent source.
 *3 Allowable flow rate range differs depending on connected outdoor unit. Please refer to section 4.6.4.
 *4 If the water flow rate range exceeds maximum, the flow speed will be greater than 2.0 m/s, which could corrode the pipes.
 *5 If the water flow is less than the minimum, the flow error will be activated.

*6 Hot water performance differs depending on connected outdoor unit.
 *7 24h temperature decay at top of the tank from 55degC at ambient temperature 20degC (BS EN 12897)
 *8 Refrigerant of outdoor unit connected to cylinder unit.
 *9 The environment must be frost-free.
 *10 For the model without both booster heater and immersion heater, the max. hot water temperature is [Max. outlet water of outdoor unit -3°C]. For the max. outlet of outdoor unit spec table.

2 Specifications

Model name				ERST17D-VM2BD	ERST17D-VM6BD	ERST17D-VM9BD	
Dimensions	Without package	Height	mm	1750	1750	1750	
		Width	mm	595	595	595	
		Depth	mm	680	680	680	
	With package	Height	mm	2020	2020	2020	
		Width	mm	660	660	660	
		Depth	mm	800	800	800	
Casing	Munsell	-	6.2PB 9/0.9	6.2PB 9/0.9	6.2PB 9/0.9		
	RAL code	-	260 90 05	260 90 05	260 90 05		
	Material	-	Pre-coated metal	Pre-coated metal	Pre-coated metal		
Product weight (empty)		kg	116	116	118		
Product weight (full)		kg	293	293	297		
Gross weight		kg	134	135	136		
Water volume of heating circuit in the unit *1		L	4.3	4.3	6.2		
Type of installation		-	Floor standing	Floor standing	Floor standing		
Electrical data	Control board *2 (Including 4 pumps)	Power supply	Ph	~N	~N	~N	
			V	230	230	230	
			Hz	50	50	50	
		Input	kW	0.30	0.30	0.30	
		Current	A	1.95	1.95	1.95	
		Breaker	A	10	10	10	
	Booster heater	Power supply	Ph	~N	~N	3~	
			V	230	230	400	
			Hz	50	50	50	
		Capacity	kW	2	2+4	3+6	
		Heater step	-	1	3	3	
		Current	A	9	26	13	
	Immersion heater	Power supply	Ph	-	-	-	
			V	-	-	-	
			Hz	-	-	-	
		Capacity	kW	-	-	-	
		Current	A	-	-	-	
		Breaker	A	-	-	-	
Water circulation pump (Primary circuit)	Type	-	DC motor	DC motor	DC motor		
		Input (10/20/max L/min)*3	Speed 1	W	10/13/14	10/13/14	10/13/14
			Speed 2	W	16/21/24	16/21/24	16/21/24
			Speed 3	W	24/32/36	24/32/36	24/32/36
			Speed 4	W	34/46/54	34/46/54	34/46/54
			Speed 5	W	47/58/60	47/58/60	47/58/60
	Current (10/20/max L/min)*3	Speed 1	A	0.2/0.2/0.3	0.2/0.2/0.3	0.2/0.2/0.3	
		Speed 2	A	0.2/0.3/0.4	0.2/0.3/0.4	0.2/0.3/0.4	
		Speed 3	A	0.3/0.4/0.5	0.3/0.4/0.5	0.3/0.4/0.5	
		Speed 4	A	0.4/0.5/0.6	0.4/0.5/0.6	0.4/0.5/0.6	
		Speed 5	A	0.5/0.6/0.6	0.5/0.6/0.6	0.5/0.6/0.6	
		Water circulation pump (DHW circuit)	Input	Speed I	W	55	55
Speed II (Default setting)	W			69	69	69	
Speed III	W			80	80	80	
Current	Speed I		A	0.25	0.25	0.25	
	Speed II (Default setting)		A	0.31	0.31	0.31	
	Speed III		A	0.34	0.34	0.34	
Flow rate	Speed I		L/min	13.5	13.5	13.5	
	Speed II (Default setting)		L/min	19.0	19.0	19.0	
	Speed III		L/min	22.9	22.9	22.9	
Water circulation pump (Zone1/ Zone2 circuit)	Input (0/10/20L/min)		Speed CC1 (Min)	W	14/22/25	14/22/25	14/22/25
			Speed CC4 (Max)	W	28/43/52	28/43/52	28/43/52
	Current (Max)		A	0.52	0.52	0.52	
Flow rate	Primary circuit	Max.*4	L/min	25.8	25.8	25.8	
		Min.*5	L/min	5.0	5.0	5.0	
Heat exchanger	Refrigerant - Primary circuit water	-	MWA1-44-DM	MWA1-44-DM	MWA1-44-DM		
	Primary circuit water - Domestic hot water	-	CBH18-18H	CBH18-18H	CBH18-18H		
Domestic hot water tank	Volume	L	170	170	170		
	Material	-	Duplex 2304 stainless steel (EN10088)				
	Declared load profile	-	L	L	L		
	Average climate	η_{wh} (water heating efficiency) *6	-	135 to 148	135 to 148	135 to 148	
		P_{es} (standby power input) *6	kW	0.026 to 0.039	0.026 to 0.039	0.026 to 0.039	
		Water heater energy efficiency class	-	A+	A+	A+	
Heat loss *7		kWh/24hr	1.65	1.65	1.65		
Expansion vessel (Primary circuit)	Volume	L	12	12	12		
	Charge pressure	MPa	0.1	0.1	0.1		
Safety device	Primary circuit	Control thermistor	°C	1~80	1~80	1~80	
		Pressure relief valve	MPa	0.3	0.3	0.3	
		Flow sensor (Min. flow)	L/min	5.0	5.0	5.0	
		BH manual reset thermostat	°C	90	90	90	
		BH thermal Cut Off	°C	121	121	121	
	DHW tank	Control thermistor	°C	75	75	75	
		IH manual reset thermostat	°C	-	-	-	
		Temperature & pressure relief valve	°C	-	-	-	
			MPa	1.0	1.0	1.0	
			MPa	1.0	1.0	1.0	
Connections	Water	Primary circuit	mm	G1 female	G1 female	G1 female	
		DHW circuit	mm	G3/4 female	G3/4 female	G3/4 female	
	Refrigerant	Gas	mm	φ12.7	φ12.7	φ12.7	
		Liquid	mm	φ6.35	φ6.35	φ6.35	
Refrigerant *8	-	R32/R410A	R32/R410A	R32/R410A			
Guaranteed operating range *9	Ambient	°C	0 to 35	0 to 35	0 to 35		
		%RH	≤80	≤80	≤80		
	Outdoor temperature	Heating	°C	See outdoor unit spec table			
		Cooling	°C	See outdoor unit spec table			
Operating range	Heating	Room temperature	°C	10 to 30	10 to 30	10 to 30	
		Flow temperature	°C	20 to 60	20 to 60	20 to 60	
	Cooling	Room temperature	°C	-	-	-	
		Flow temperature	°C	5 to 25	5 to 25	5 to 25	
	DHW *10	°C	40 to 60	40 to 60	40 to 60		
	Legionella prevention *10	°C	60 to 70	60 to 70	60 to 70		
Sound power level (PWL)		dB(A)	41	41	41		

*1 Volume of sanitary water circuit, primary DHW circuit (from 3-way valve to confluent point with Heating circuit), piping to Expansion vessel, and Expansion vessel is not included in this value.

*2 When powered from independent source.

*3 Allowable flow rate range differs depending on connected outdoor unit. Please refer to section 4.6.4.

*4 If the water flow rate range exceeds maximum, the flow speed will be greater than 2.0 m/s, which could corrode the pipes.

*5 If the water flow is less than the minimum, the flow error will be activated.

*6 Hot water performance differs depending on connected outdoor unit.

*7 24h temperature decay at top of the tank from 65degC at ambient temperature 20degC (BS EN 12897)

*8 Refrigerant of outdoor unit connected to cylinder unit.

*9 The environment must be frost-free.

*10 For the model without both booster heater and immersion heater, the max. hot water temperature is [Max. outlet water of outdoor unit -3°C]. For the max. outlet of outdoor unit spec table.

2 Specifications

2.2. Hydrobox

Model name				EHSD-MED	EHSD-VM2D	EHSD-VM6D	EHSD-YM9D	EHSD-YM9ED	EHSD-TM9D	
Dimensions	Without package	Height	mm	800	800	800	800	800	800	
		Width	mm	530	530	530	530	530	530	
		Depth	mm	360	360	360	360	360	360	
	With package	Height	mm	560	560	560	560	560	560	
		Width	mm	600	600	600	600	600	600	
		Depth	mm	990	990	990	990	990	990	
Casing	Munsell	-	6.2PB 9/0.9	6.2PB 9/0.9	6.2PB 9/0.9	6.2PB 9/0.9	6.2PB 9/0.9	6.2PB 9/0.9	6.2PB 9/0.9	
	RAL code	-	260 90 05	260 90 05	260 90 05	260 90 05	260 90 05	260 90 05	260 90 05	
	Material	-	Pre-coated metal	Pre-coated metal	Pre-coated metal	Pre-coated metal	Pre-coated metal	Pre-coated metal	Pre-coated metal	
Product weight (empty)		kg	36	43	44	44	40	44		
Product weight (full)		kg	38	48	49	49	45	49		
Gross weight		kg	49	55	57	57	53	57		
Water volume of heating circuit in the unit *1		L	1.7	5.2	5.2	5.2	5.2	5.2		
Type of Installation		-	Wall mounted	Wall mounted	Wall mounted	Wall mounted	Wall mounted	Wall mounted		
Electrical data	Control board *2 (Including 3 pumps)	Power supply	Ph	~N	~N	~N	~N	~N	~N	
			V	230	230	230	230	230	230	
			Hz	50	50	50	50	50	50	
		Input	kW	0.30	0.30	0.30	0.30	0.30	0.30	
			Current	A	1.95	1.95	1.95	1.95	1.95	
			Breaker	A	10	10	10	10	10	
		Booster heater	Power supply	Ph	-	~N	~N	3~	3~	3~
				V	-	230	230	400	400	230
				Hz	-	50	50	50	50	50
			Capacity	kW	-	2	2+4	3+6	3+6	3+6
			Heater step	-	-	1	3	3	3	3
			Current	A	-	9	26	13	13	23
	Immersion heater	Power supply	Ph	-	-	-	-	-	-	
			V	-	-	-	-	-	-	
			Hz	-	-	-	-	-	-	
		Capacity	kW	-	-	-	-	-	-	
		Current	A	-	-	-	-	-	-	
		Breaker	A	-	-	-	-	-	-	
	Water circulation pump (Primary circuit)	Type	-	DC motor	DC motor	DC motor	DC motor	DC motor	DC motor	
			Input	W	10/13/15	10/13/15	10/13/15	10/13/15	10/13/15	
			Speed 1	W	16/21/27	16/21/27	16/21/27	16/21/27	16/21/27	
			Speed 2	W	24/32/42	24/32/42	24/32/42	24/32/42	24/32/42	
			Speed 3	W	34/46/58	34/46/58	34/46/58	34/46/58	34/46/58	
			Speed 4	W	47/58/60	47/58/60	47/58/60	47/58/60	47/58/60	
Performance curve: please refer to section 5.6.4		Current (10/20/max L/min)*3	Speed 1	A	0.2/0.2/0.3	0.2/0.2/0.3	0.2/0.2/0.3	0.2/0.2/0.3	0.2/0.2/0.3	
			Speed 2	A	0.2/0.3/0.4	0.2/0.3/0.4	0.2/0.3/0.4	0.2/0.3/0.4	0.2/0.3/0.4	
			Speed 3	A	0.3/0.4/0.5	0.3/0.4/0.5	0.3/0.4/0.5	0.3/0.4/0.5	0.3/0.4/0.5	
			Speed 4	A	0.4/0.5/0.6	0.4/0.5/0.6	0.4/0.5/0.6	0.4/0.5/0.6	0.4/0.5/0.6	
			Speed 5	A	0.5/0.6/0.6	0.5/0.6/0.6	0.5/0.6/0.6	0.5/0.6/0.6	0.5/0.6/0.6	
			Speed I	W	-	-	-	-	-	
Water circulation pump (DHW circuit)	Input	Speed II (Default setting)	W	-	-	-	-	-		
		Speed III	W	-	-	-	-	-		
		Current	A	-	-	-	-	-		
	Flow rate	Speed I	L/min	-	-	-	-	-		
		Speed II (Default setting)	L/min	-	-	-	-	-		
		Speed III	L/min	-	-	-	-	-		
Flow rate	Primary circuit	Max.*4	L/min	36.9	36.9	36.9	36.9	36.9		
	Min.*5	L/min	5.0	5.0	5.0	5.0	5.0			
Heat exchanger	Refrigerant - Primary circuit water	-	MWA1-44DM	MWA1-44DM	MWA1-44DM	MWA1-44DM	MWA1-44DM	MWA1-44DM		
	Primary circuit water - Domestic hot water	-	-	-	-	-	-	-		
Domestic hot water tank	Volume	L	-	-	-	-	-	-		
	Material	-	-	-	-	-	-	-		
	Declared load profile	-	-	-	-	-	-	-		
	Average climate	η _{wh} (water heating efficiency)*6	-	-	-	-	-	-		
		P _{es} (standby power input)*6	kW	-	-	-	-	-		
		Water heater energy efficiency class	-	-	-	-	-	-		
Heat loss *7	kWh/24hr	-	-	-	-	-	-			
Expansion vessel (Primary circuit)	Volume	L	-	10	10	10	-	10		
	Charge pressure	MPa	-	0.1	0.1	0.1	-	0.1		
Safety device	Primary circuit	Control thermistor	°C	1 to 80	1 to 80	1 to 80	1 to 80	1 to 80		
		Pressure relief valve	MPa	0.3	0.3	0.3	0.3	0.3		
		Flow sensor (Min. flow)	L/min	5.0	5.0	5.0	5.0	5.0		
		BH manual reset thermostat	°C	-	90	90	90	90		
		BH thermal Cut Off	°C	-	121	121	121	121		
		DHW tank	Control thermistor	°C	-	-	-	-	-	
	IH manual reset thermostat		°C	-	-	-	-	-		
	Temperature & pressure relief valve		°C	-	-	-	-	-		
	MPa		-	-	-	-	-			
	Connections	Water	Primary circuit	mm	φ28	φ28	φ28	φ28	φ28	
DHW circuit			mm	-	-	-	-	-		
Refrigerant		Gas	mm	φ12.7	φ12.7	φ12.7	φ12.7	φ12.7		
		Liquid	mm	φ6.35	φ6.35	φ6.35	φ6.35	φ6.35		
Refrigerant *8	-	R32/R410A	R32/R410A	R32/R410A	R32/R410A	R32/R410A	R32/R410A			
Guaranteed operating range *9	Ambient	°C	0 to 35	0 to 35	0 to 35	0 to 35	0 to 35			
		%RH	≤ 80	≤ 80	≤ 80	≤ 80	≤ 80			
	Outdoor temperature	Heating	°C	-	-	-	-	-		
		Cooling	°C	-	-	-	-	-		
Operating range	Heating	Room temperature	°C	10 to 30	10 to 30	10 to 30	10 to 30			
		Flow temperature	°C	20 to 60	20 to 60	20 to 60	20 to 60			
	Cooling	Room temperature	°C	-	-	-	-			
		Flow temperature	°C	-	-	-	-			
DHW *10	°C	-	-	-	-	-				
	°C	-	-	-	-	-				
Sound power level (PWL)	dB(A)	41	41	41	41	41	41			

*1 Volume of sanitary water circuit, primary DHW circuit (from 3-way valve to confluent point with Heating circuit), piping to Expansion vessel, and Expansion vessel is not included in this value.
 *2 When powered from independent source.
 *3 Allowable flow rate range differs depending on connected outdoor unit. Please refer to section 5.6.4.
 *4 If the water flow rate range exceeds maximum, the flow speed will be greater than 2.0 m/s, which could corrode the pipes.
 *5 If the water flow is less than the minimum, the flow error will be activated.

*6 Hot water performance differs depending on connected outdoor unit.
 *7 24h temperature decay at top of the tank from 65degC at ambient temperature 20degC (BS EN 12897)
 *8 Refrigerant of outdoor unit connected to cylinder unit.
 *9 The environment must be frost-free.
 *10 For the model without both booster heater and immersion heater, the max. hot water temperature is [Max. outlet water of outdoor unit -3°C]. For the max. outlet of outdoor unit spec table.

2 Specifications

Model name				EHSC-MED	EHSC-VM2D	EHSC-VM6D	EHSC-YM9D	EHSC-YM9ED	EHSC-TM9D	
Dimensions	Without package	Height	mm	800	800	800	800	800	800	
		Width	mm	530	530	530	530	530	530	
		Depth	mm	360	360	360	360	360	360	
	With package	Height	mm	560	560	560	560	560	560	
		Width	mm	600	600	600	600	600	600	
		Depth	mm	990	990	990	990	990	990	
Casing	Munsell	-	6.2PB 9/0.9	6.2PB 9/0.9	6.2PB 9/0.9	6.2PB 9/0.9	6.2PB 9/0.9	6.2PB 9/0.9	6.2PB 9/0.9	
	RAL code	-	260 90 05	260 90 05	260 90 05	260 90 05	260 90 05	260 90 05	260 90 05	
	Material	-	Pre-coated metal	Pre-coated metal	Pre-coated metal	Pre-coated metal	Pre-coated metal	Pre-coated metal	Pre-coated metal	
Product weight (empty)		kg	40	47	48	48	43	48		
Product weight (full)		kg	42	53	54	54	50	54		
Gross weight		kg	53	60	61	61	57	61		
Water volume of heating circuit in the unit *1		L	2.6	6.1	6.1	6.1	6.1	6.1		
Type of Installation		-	Wall mounted	Wall mounted	Wall mounted	Wall mounted	Wall mounted	Wall mounted		
Electrical data	Control board *2 (Including 3 pumps)	Power supply	Ph	~N	~N	~N	~N	~N	~N	
			V	230	230	230	230	230	230	
			Hz	50	50	50	50	50	50	
		Input	kW	0.30	0.30	0.30	0.30	0.30	0.30	
			Current	A	1.95	1.95	1.95	1.95	1.95	
			Breaker	A	10	10	10	10	10	
	Booster heater	Power supply	Ph	-	~N	~N	3~	3~	3~	
			V	-	230	230	400	400	230	
			Hz	-	50	50	50	50	50	
		Capacity	kW	-	2	2+4	3+6	3+6	3+6	
			Heater step	-	-	1	3	3	3	
			Current	A	-	9	26	13	13	23
	Breaker	A	-	16	32	16	16	32		
		Immersion heater	Power supply	Ph	-	-	-	-	-	-
				V	-	-	-	-	-	-
	Hz			-	-	-	-	-	-	
	Capacity		kW	-	-	-	-	-	-	
			Current	A	-	-	-	-	-	
			Breaker	A	-	-	-	-	-	
	Water circulation pump (Primary circuit)	Type	-	DC motor	DC motor	DC motor	DC motor	DC motor	DC motor	
			Input (10/20/max L/min)*3	Speed 1	W	10/13/15	10/13/15	10/13/15	10/13/15	10/13/15
				Speed 2	W	16/21/27	16/21/27	16/21/27	16/21/27	16/21/27
				Speed 3	W	24/32/42	24/32/42	24/32/42	24/32/42	24/32/42
				Speed 4	W	34/46/58	34/46/58	34/46/58	34/46/58	34/46/58
Speed 5				W	47/58/60	47/58/60	47/58/60	47/58/60	47/58/60	
Current (10/20/max L/min)*3	Speed 1	A	0.2/0.2/0.3	0.2/0.2/0.3	0.2/0.2/0.3	0.2/0.2/0.3	0.2/0.2/0.3			
	Speed 2	A	0.2/0.3/0.4	0.2/0.3/0.4	0.2/0.3/0.4	0.2/0.3/0.4	0.2/0.3/0.4			
	Speed 3	A	0.3/0.4/0.5	0.3/0.4/0.5	0.3/0.4/0.5	0.3/0.4/0.5	0.3/0.4/0.5			
	Speed 4	A	0.4/0.5/0.6	0.4/0.5/0.6	0.4/0.5/0.6	0.4/0.5/0.6	0.4/0.5/0.6			
	Speed 5	A	0.5/0.6/0.6	0.5/0.6/0.6	0.5/0.6/0.6	0.5/0.6/0.6	0.5/0.6/0.6			
Water circulation pump (DHW circuit)	Input	Speed I	W	-	-	-	-	-		
		Speed II (Default setting)	W	-	-	-	-	-		
		Speed III	W	-	-	-	-	-		
	Current	Speed I	A	-	-	-	-	-		
		Speed II (Default setting)	A	-	-	-	-	-		
		Speed III	A	-	-	-	-	-		
Flow rate	Speed I	L/min	-	-	-	-	-			
	Speed II (Default setting)	L/min	-	-	-	-	-			
	Speed III	L/min	-	-	-	-	-			
Flow rate	Primary circuit	Max.*4	L/min	36.9	36.9	36.9	36.9	36.9		
		Min.*5	L/min	5.0	5.0	5.0	5.0	5.0		
Heat exchanger	Refrigerant - Primary circuit water	-	MWA2-38PA-4	MWA2-38PA-4	MWA2-38PA-4	MWA2-38PA-4	MWA2-38PA-4	MWA2-38PA-4		
	Primary circuit water - Domestic hot water	-	-	-	-	-	-	-		
Domestic hot water tank	Volume	L	-	-	-	-	-	-		
	Material	-	-	-	-	-	-	-		
	Declared load profile	-	-	-	-	-	-	-		
	Average climate	η_{wh} (water heating efficiency)*6	-	-	-	-	-	-		
		P_{sc} (standby power input)*6	kW	-	-	-	-	-		
Water heater energy efficiency class	-	-	-	-	-	-	-			
Heat loss *7	kWh/24hr	-	-	-	-	-	-			
Expansion vessel (Primary circuit)	Volume	L	-	10	10	10	-	10		
	Charge pressure	MPa	-	0.1	0.1	0.1	-	0.1		
Safety device	Primary circuit	Control thermistor	°C	1 to 80	1 to 80	1 to 80	1 to 80	1 to 80		
		Pressure relief valve	MPa	0.3	0.3	0.3	0.3	0.3		
		Flow sensor (Min. flow)	L/min	5.0	5.0	5.0	5.0	5.0		
	DHW tank	BH manual reset thermostat	°C	-	90	90	90	90		
		BH thermal Cut Off	°C	-	121	121	121	121		
		Control thermistor	°C	-	-	-	-	-		
Temperature & pressure relief valve	°C	-	-	-	-	-	-			
	MPa	-	-	-	-	-	-			
	MPa	-	-	-	-	-	-			
Connections	Water	Primary circuit	mm	φ28	φ28	φ28	φ28	φ28		
		DHW circuit	mm	-	-	-	-	-		
	Refrigerant	Gas	mm	φ15.88	φ15.88	φ15.88	φ15.88	φ15.88		
		Liquid	mm	φ9.52	φ9.52	φ9.52	φ9.52	φ9.52		
Refrigerant *8		-	R410A	R410A	R410A	R410A	R410A			
Guaranteed operating range *9	Ambient	°C	0 to 35	0 to 35	0 to 35	0 to 35	0 to 35			
		%RH	≤80	≤80	≤80	≤80	≤80			
Operating range	Heating	Heating	°C	-	-	-	-	-		
		Cooling	°C	-	-	-	-	-		
	Room temperature	°C	10 to 30	10 to 30	10 to 30	10 to 30	10 to 30			
		°C	20 to 60	20 to 60	20 to 60	20 to 60	20 to 60			
	Cooling	Room temperature	°C	-	-	-	-	-		
		Flow temperature	°C	-	-	-	-	-		
DHW *10	°C	-	-	-	-	-				
	Legionella prevention *10	°C	-	-	-	-				
Sound power level (PWL)		dB(A)	40	40	40	40	40			

*1 Volume of sanitary water circuit, primary DHW circuit (from 3-way valve to confluent point with Heating circuit), piping to Expansion vessel, and Expansion vessel is not included in this value.
 *2 When powered from independent source.
 *3 Allowable flow rate range differs depending on connected outdoor unit. Please refer to section 5.6.4.
 *4 If the water flow rate range exceeds maximum, the flow speed will be greater than 2.0 m/s, which could corrode the pipes.
 *5 If the water flow is less than the minimum, the flow error will be activated.

*6 Hot water performance differs depending on connected outdoor unit.
 *7 24h temperature decay at top of the tank from 65degC at ambient temperature 20degC (BS EN 12897)
 *8 Refrigerant of outdoor unit connected to cylinder unit.
 *9 The environment must be frost-free.
 *10 For the model without both booster heater and immersion heater, the max. hot water temperature is [Max. outlet water of outdoor unit -3°C]. For the max. outlet of outdoor unit spec table.

2 Specifications

Model name			EHSE-YM9ED	EHSE-MED	ERSD-MED	ERSD-VM2D	ERSC-MED	ERSC-VM2D			
Dimensions	Without package	Height	mm	950	950	800	800	800	800		
		Width	mm	600	600	530	530	530	530		
		Depth	mm	360	360	360	360	360	360		
	With package	Height	mm	560	560	560	560	560	560		
		Width	mm	690	690	600	600	600	600		
		Depth	mm	1150	1150	990	990	990	990		
Casing	Munsell	-	6.2PB 9/0.9	6.2PB 9/0.9	6.2PB 9/0.9	6.2PB 9/0.9	6.2PB 9/0.9	6.2PB 9/0.9			
	RAL code	-	260 90 05	260 90 05	260 90 05	260 90 05	260 90 05	260 90 05			
	Material	-	Pre-coated metal	Pre-coated metal	Pre-coated metal	Pre-coated metal	Pre-coated metal	Pre-coated metal			
Product weight (empty)		kg	63	61	38	44	41	48			
Product weight (full)		kg	73	71	39	50	44	54			
Gross weight		kg	78	76	51	58	54	61			
Water volume of heating circuit in the unit *1		L	10.0	10.0	1.7	5.2	2.6	6.1			
Type of Installation		-	Wall mounted	Wall mounted	Wall mounted	Wall mounted	Wall mounted	Wall mounted			
Electrical data	Control board *2 (Including 3 pumps)	Power supply	Ph	-	~N	~N	~N	~N	~N		
			V	230	230	230	230	230	230		
			Hz	50	50	50	50	50	50		
		Input	kW	0.34	0.34	0.30	0.30	0.30	0.30		
			Current	A	2.56	2.56	1.95	1.95	1.95	1.95	
			Breaker	A	10	10	10	10	10	10	
	Booster heater	Power supply	Ph	3~	-	-	~N	-	~N		
			V	400	-	-	230	-	230		
			Hz	50	-	-	50	-	50		
		Capacity	kW	3+6	-	-	2	-	2		
		Heater step	-	3	-	-	1	-	1		
		Current	A	13	-	-	9	-	9		
	Immersion heater	Power supply	Ph	-	-	-	-	-	-		
			V	-	-	-	-	-	-		
			Hz	-	-	-	-	-	-		
		Capacity	kW	-	-	-	-	-	-		
		Current	A	-	-	-	-	-	-		
		Breaker	A	-	-	-	-	-	-		
	Water circulation pump (Primary circuit)	Type	-	DC motor	DC motor	DC motor	DC motor	DC motor	DC motor		
			Input (10/20/max L/min)*3	Speed 1	W	31/37/38	31/37/38	10/13/15	10/13/15	10/13/15	10/13/15
				Speed 2	W	51/63/38	51/63/38	16/21/27	16/21/27	16/21/27	16/21/27
				Speed 3	W	75/94/105	75/94/105	24/32/42	24/32/42	24/32/42	24/32/42
				Speed 4	W	106/134/153	106/134/153	34/46/58	34/46/58	34/46/58	34/46/58
				Speed 5	W	148/180/180	148/180/180	47/58/60	47/58/60	47/58/60	47/58/60
Performance curve: please refer to section 5.6.4	Current (10/20/max L/min)*3	Speed 1	A	0.3/0.3/0.3	0.3/0.3/0.3	0.2/0.2/0.3	0.2/0.2/0.3	0.2/0.2/0.3	0.2/0.2/0.3		
		Speed 2	A	0.4/0.5/0.5	0.4/0.5/0.5	0.2/0.3/0.4	0.2/0.3/0.4	0.2/0.3/0.4	0.2/0.3/0.4		
		Speed 3	A	0.6/0.7/0.8	0.6/0.7/0.8	0.3/0.4/0.5	0.3/0.4/0.5	0.3/0.4/0.5	0.3/0.4/0.5		
		Speed 4	A	0.9/1.1/1.2	0.9/1.1/1.2	0.4/0.5/0.6	0.4/0.5/0.6	0.4/0.5/0.6	0.4/0.5/0.6		
		Speed 5	A	1.2/1.4/1.4	1.2/1.4/1.4	0.5/0.6/0.6	0.5/0.6/0.6	0.5/0.6/0.6	0.5/0.6/0.6		
		Water circulation pump (DHW circuit)	Input	Speed I	W	-	-	-	-	-	-
Speed II (Default setting)	W			-	-	-	-	-	-		
Speed III	W			-	-	-	-	-	-		
Current	Speed I		A	-	-	-	-	-	-		
	Speed II (Default setting)		A	-	-	-	-	-	-		
	Speed III		A	-	-	-	-	-	-		
Flow rate	Speed I		L/min	-	-	-	-	-	-		
	Speed II (Default setting)		L/min	-	-	-	-	-	-		
	Speed III		L/min	-	-	-	-	-	-		
Flow rate	Primary circuit	Max.*4	L/min	61.5	61.5	36.9	36.9	36.9	36.9		
	Min.*5	L/min	5.0	5.0	5.0	5.0	5.0	5.0			
Heat exchanger	Refrigerant - Primary circuit water	-	MWA2-72PA	MWA2-72PA	MWA1-44DM	MWA1-44DM	MWA2-38PA-4	MWA2-38PA-4			
	Primary circuit water - Domestic hot water	-	-	-	-	-	-	-			
Domestic hot water tank	Volume	L	-	-	-	-	-	-			
	Material	-	-	-	-	-	-	-			
	Declared load profile	-	-	-	-	-	-	-			
	Average climate	η_{wh} (water heating efficiency)*6	-	-	-	-	-	-	-		
		P_{es} (standby power input)*6	kW	-	-	-	-	-	-		
Water heater energy efficiency class	-	-	-	-	-	-	-				
Heat loss *7	kWh/24hr	-	-	-	-	-	-				
Expansion vessel (Primary circuit)	Volume	L	-	-	-	10	-	10			
	Charge pressure	MPa	-	-	-	0.1	-	0.1			
Safety device	Primary circuit	Control thermistor	°C	1 to 80	1 to 80	1 to 80	1 to 80	1 to 80	1 to 80		
		Pressure relief valve	MPa	0.3	0.3	0.3	0.3	0.3	0.3		
		Flow sensor (Min. flow)	L/min	5.0	5.0	5.0	5.0	5.0	5.0		
		BH manual reset thermostat	°C	90	-	-	90	-	90		
		BH thermal Cut Off	°C	121	-	-	121	-	121		
		DHW tank	Control thermistor	°C	-	-	-	-	-	-	
	IH manual reset thermostat		°C	-	-	-	-	-	-		
	Temperature & pressure relief valve		MPa	-	-	-	-	-	-		
	-		MPa	-	-	-	-	-	-		
	Connections	Water	Primary circuit	mm	G1-1/2-B	G1-1/2-B	G1-B	G1-B	G1-B	G1-B	
DHW circuit			mm	-	-	-	-	-	-		
Refrigerant		Gas	mm	φ25.4(Brazing)	φ25.4(Brazing)	φ12.7	φ12.7	φ15.88	φ15.88		
		Liquid	mm	φ9.52	φ9.52	φ6.35	φ6.35	φ9.52	φ9.52		
Refrigerant *8		-	R410A	R410A	R32/R410A	R32/R410A	R410A	R410A			
Guaranteed operating range *9	Ambient	°C	0 to 35	0 to 35	0 to 35	0 to 35	0 to 35	0 to 35			
		%RH	≤80	≤80	≤80	≤80	≤80	≤80			
	Outdoor temperature	Heating	°C	-	-	10 to 46	10 to 46	10 to 46	10 to 46		
Operating range	Heating	Room temperature	°C	10 to 30	10 to 30	10 to 30	10 to 30	10 to 30	10 to 30		
		Flow temperature	°C	20 to 60	20 to 60	20 to 60	20 to 60	20 to 60	20 to 60		
	Cooling	Room temperature	°C	-	-	-	-	-	-		
		Flow temperature	°C	-	-	5 to 25	5 to 25	5 to 25	5 to 25		
	DHW *10	°C	-	-	-	-	-	-			
	Legionella prevention *10	°C	-	-	-	-	-	-			
Sound power level (PWL)		dB(A)	45	45	41	41	40	40			

*1 Volume of sanitary water circuit, primary DHW circuit (from 3-way valve to confluent point with Heating circuit), piping to Expansion vessel, and Expansion vessel is not included in this value.
 *2 When powered from independent source.
 *3 Allowable flow rate range differs depending on connected outdoor unit. Please refer to section 5.6.4.
 *4 If the water flow rate range exceeds maximum, the flow speed will be greater than 2.0 m/s, which could corrode the pipes.
 *5 If the water flow is less than the minimum, the flow error will be activated.

*6 Hot water performance differs depending on connected outdoor unit.
 *7 24h temperature decay at top of the tank from 65degC at ambient temperature 20degC (BS EN 12897)
 *8 Refrigerant of outdoor unit connected to cylinder unit.
 *9 The environment must be frost-free.
 *10 For the model without both booster heater and immersion heater, the max. hot water temperature is [Max. outlet water of outdoor unit -3°C]. For the max. outlet of outdoor unit spec table.

2 Specifications

Model name				ERSD-VM6D	ERSD-YM9D	ERSC-VM6D	ERSC-YM9D	ERSE-YM9ED	ERSE-MED	
Dimensions	Without package	Height	mm	800	800	800	800	950	950	
		Width	mm	530	530	530	530	600	600	
		Depth	mm	360	360	360	360	360	360	
	With package	Height	mm	560	560	560	560	560	560	
		Width	mm	600	600	600	600	690	690	
		Depth	mm	990	990	990	990	1150	1150	
Casing	Munsell	-	6.2PB 9/0.9	6.2PB 9/0.9	6.2PB 9/0.9	6.2PB 9/0.9	6.2PB 9/0.9	6.2PB 9/0.9	6.2PB 9/0.9	
	RAL code	-	260 90 05	260 90 05	260 90 05	260 90 05	260 90 05	260 90 05	260 90 05	
	Material	-	Pre-coated metal	Pre-coated metal	Pre-coated metal	Pre-coated metal	Pre-coated metal	Pre-coated metal	Pre-coated metal	
Product weight (empty)		kg	43	44	48	48	64	62		
Product weight (full)		kg	49	50	54	55	74	72		
Gross weight		kg	57	58	61	62	79	77		
Water volume of heating circuit in the unit *1		L	5.2	5.2	6.1	6.1	10.0	10.0		
Type of installation		-	Wall mounted	Wall mounted	Wall mounted	Wall mounted	Wall mounted	Wall mounted		
Electrical data	Control board *2 (Including 3 pumps)	Power supply	Ph	~N	~N	~N	~N	~N	~N	
			V	230	230	230	230	230	230	
			Hz	50	50	50	50	50	50	
		Input	kW	0.30	0.30	0.30	0.30	0.34	0.34	
			Current	A	1.95	1.95	1.95	1.95	2.56	2.56
			Breaker	A	10	10	10	10	10	10
	Booster heater	Power supply	Ph	~N	3~	~N	3~	3~	-	
			V	230	400	230	400	400	-	
			Hz	50	50	50	50	50	-	
		Capacity	kW	2+4	3+6	2+4	3+6	3+6	-	
		Heater step	-	-	3	-	3	3	-	
		Current	A	26	13	26	13	13	-	
	Immersion heater	Power supply	Ph	-	-	-	-	-	-	
			V	-	-	-	-	-	-	
			Hz	-	-	-	-	-	-	
		Capacity	kW	-	-	-	-	-	-	
		Current	A	-	-	-	-	-	-	
		Breaker	A	-	-	-	-	-	-	
	Water circulation pump (Primary circuit)	Type	Speed 1	W	10/13/15	10/13/15	10/13/15	10/13/15	31/37/38	31/37/38
			Speed 2	W	16/21/27	16/21/27	16/21/27	16/21/27	51/63/38	51/63/38
			Speed 3	W	24/32/42	24/32/42	24/32/42	24/32/42	75/94/105	75/94/105
			Speed 4	W	34/46/58	34/46/58	34/46/58	34/46/58	106/134/153	106/134/153
			Speed 5	W	47/58/60	47/58/60	47/58/60	47/58/60	148/180/180	148/180/180
			Current	A	0.2/0.2/0.3	0.2/0.2/0.3	0.2/0.2/0.3	0.2/0.2/0.3	0.3/0.3/0.3	0.3/0.3/0.3
Performance curve: please refer to section 5.6.4	Speed 1	Speed 2	A	0.2/0.3/0.4	0.2/0.3/0.4	0.2/0.3/0.4	0.2/0.3/0.4	0.4/0.5/0.5	0.4/0.5/0.5	
		Speed 3	A	0.3/0.4/0.5	0.3/0.4/0.5	0.3/0.4/0.5	0.3/0.4/0.5	0.6/0.7/0.8	0.6/0.7/0.8	
		Speed 4	A	0.4/0.5/0.6	0.4/0.5/0.6	0.4/0.5/0.6	0.4/0.5/0.6	0.9/1.1/1.2	0.9/1.1/1.2	
		Speed 5	A	0.5/0.6/0.6	0.5/0.6/0.6	0.5/0.6/0.6	0.5/0.6/0.6	1.2/1.4/1.4	1.2/1.4/1.4	
		Speed I	W	-	-	-	-	-	-	
		Speed II (Default setting)	W	-	-	-	-	-	-	
Water circulation pump (DHW circuit)	Current	Speed III	W	-	-	-	-	-	-	
		Speed I	A	-	-	-	-	-	-	
		Speed II (Default setting)	A	-	-	-	-	-	-	
	Flow rate	Speed III	A	-	-	-	-	-	-	
		Speed I	L/min	-	-	-	-	-	-	
		Speed II (Default setting)	L/min	-	-	-	-	-	-	
Flow rate	Speed III	L/min	-	-	-	-	-	-		
	Max.*4	L/min	36.9	36.9	36.9	36.9	61.5	61.5		
	Min.*5	L/min	5.0	5.0	5.0	5.0	5.0	5.0		
Heat exchanger	Refrigerant - Primary circuit water	-	MWA1-44DM	MWA1-44DM	MWA2-38PA-4	MWA2-38PA-4	MWA2-72PA	MWA2-72PA		
	Primary circuit water - Domestic hot water	-	-	-	-	-	-	-		
Domestic hot water tank	Volume	L	-	-	-	-	-	-		
	Material	-	-	-	-	-	-	-		
	Declared load profile	-	-	-	-	-	-	-		
	Average climate	η_{wh} (water heating efficiency)*6	-	-	-	-	-	-	-	
		P_{st} (standby power input)*6	kW	-	-	-	-	-	-	
		Water heater energy efficiency class	-	-	-	-	-	-	-	
Heat loss *7		kWh/24hr	-	-	-	-	-	-		
Expansion vessel (Primary circuit)	Volume	L	10	10	10	10	-	-		
	Charge pressure	MPa	0.1	0.1	0.1	0.1	-	-		
Safety device	Primary circuit	Control thermistor	°C	1~80	1~80	1~80	1~80	1 to 80	1 to 80	
		Pressure relief valve	MPa	0.3	0.3	0.3	0.3	0.3	0.3	
		Flow sensor (Min. flow)	L/min	5.0	5.0	5.0	5.0	5.0	5.0	
		BH manual reset thermostat	°C	90	90	90	90	90	-	
		BH thermal Cut Off	°C	121	121	121	121	121	-	
		DHW tank	Control thermistor	°C	-	-	-	-	-	-
	IH manual reset thermostat		°C	-	-	-	-	-	-	
	Temperature & pressure relief valve		°C	-	-	-	-	-	-	
	MPa		-	-	-	-	-	-	-	
	Connections	Water	Primary circuit	mm	G1-A	G1-A	G1-A	G1-A	G1-1/2 -B	G1-1/2 -B
DHW circuit			mm	-	-	-	-	-	-	
Refrigerant		Gas	mm	φ12.7	φ12.7	φ15.88	φ15.88	φ25.4(Brazing)	φ25.4(Brazing)	
		Liquid	mm	φ6.35	φ6.35	φ9.52	φ9.52	φ9.52	φ9.52	
Refrigerant *8	-	-	R32/R410A	R32/R410A	R410A	R410A	R410A	R410A		
	Guaranteed operating range *9	Ambient	°C	0~35	0~35	0~35	0~35	0 to 35	0 to 35	
Operating range	Heating	Outdoor temperature	Heating	°C	≤80	≤80	≤80	≤80	≤80	
			Cooling	°C	10 to 46	10 to 46	10 to 46	10 to 46	10 to 46	
		Room temperature	Room temperature	°C	10~30	10~30	10~30	10~30	10 to 30	
			Flow temperature	°C	20~60	20~60	20~60	20~60	20 to 60	
	Cooling	Room temperature	Room temperature	°C	-	-	-	-	-	
			Flow temperature	°C	5~25	5~25	5~25	5~25	5 to 25	
		DHW *10	°C	-	-	-	-	-	-	
		Legionella prevention *10	°C	-	-	-	-	-	-	
Sound power level (PWL)		dB(A)	41	41	40	40	45	45		

*1 Volume of sanitary water circuit, primary DHW circuit (from 3-way valve to confluent point with Heating circuit), piping to Expansion vessel, and Expansion vessel is not included in this value.
 *2 When powered from independent source.
 *3 Allowable flow rate range differs depending on connected outdoor unit. Please refer to section 5.6.4.
 *4 If the water flow rate range exceeds maximum, the flow speed will be greater than 2.0 m/s, which could corrode the pipes.
 *5 If the water flow is less than the minimum, the flow error will be activated.

*6 Hot water performance differs depending on connected outdoor unit.
 *7 24h temperature decay at top of the tank from 65degC at ambient temperature 20degC (BS EN 12897)
 *8 Refrigerant of outdoor unit connected to cylinder unit.
 *9 The environment must be frost-free.
 *10 For the model without both booster heater and immersion heater, the max. hot water temperature is [Max. outlet water of outdoor unit -3°C]. For the max. outlet of outdoor unit spec table.

2 Specifications

Cylinder unit/
Hydrobox/GSHP/WTW

Model name			EHPX-MED	EHPX-VM2D	EHPX-VM6D	EHPX-VM9D	EHPX-VM9ED		
Dimensions	Without package	Height	mm	800	800	800	800	800	
		Width	mm	530	530	530	530	530	
		Depth	mm	360	360	360	360	360	
	With package	Height	mm	560	560	560	560	560	
		Width	mm	600	600	600	600	600	
		Depth	mm	990	990	990	990	990	
Casing	Munsell	-	6.2PB 9/0.9	6.2PB 9/0.9	6.2PB 9/0.9	6.2PB 9/0.9	6.2PB 9/0.9		
	RAL code	-	260 90 05	260 90 05	260 90 05	260 90 05	260 90 05		
	Material	-	Pre-coated metal	Pre-coated metal	Pre-coated metal	Pre-coated metal	Pre-coated metal		
Product weight (empty)		kg	25	32	33	33	28		
Product weight (full)		kg	26	36	37	38	32		
Gross weight		kg	38	45	46	46	41		
Water volume of heating circuit in the unit *1		L	1.0	4.5	4.5	4.5	4.5		
Type of Installation		-	Wall mounted	Wall mounted	Wall mounted	Wall mounted	Wall mounted		
Electrical data	Control board *2 (Including 3 pumps)	Power supply	Ph	~N	~N	~N	~N	~N	
			V	230	230	230	230	230	
			Hz	50	50	50	50	50	
		Input	kW	0.30	0.30	0.30	0.30	0.30	
			Current	A	1.95	1.95	1.95	1.95	1.95
			Breaker	A	10	10	10	10	10
	Booster heater	Power supply	Ph	-	~N	~N	3~	3~	
			V	-	230	230	400	400	
			Hz	-	50	50	50	50	
		Capacity	kW	-	2	2+4	3+6	3+6	
		Heater step	-	-	1	3	3	3	
		Current	A	-	9	26	13	13	
	Immersion heater	Power supply	Ph	-	-	-	-	-	
			V	-	-	-	-	-	
			Hz	-	-	-	-	-	
		Capacity	kW	-	-	-	-	-	
		Current	A	-	-	-	-	-	
		Breaker	A	-	-	-	-	-	
	Water circulation pump (Primary circuit)	Type	Speed 1	W	10/13/15	10/13/15	10/13/15	10/13/15	10/13/15
			Speed 2	W	16/21/27	16/21/27	16/21/27	16/21/27	16/21/27
			Speed 3	W	24/32/42	24/32/42	24/32/42	24/32/42	24/32/42
			Speed 4	W	34/46/58	34/46/58	34/46/58	34/46/58	34/46/58
			Speed 5	W	47/58/60	47/58/60	47/58/60	47/58/60	47/58/60
			Current	A	0.2/0.2/0.3	0.2/0.2/0.3	0.2/0.2/0.3	0.2/0.2/0.3	0.2/0.2/0.3
Performance curve: please refer to section 5.6.4	Speed 1	Speed 2	A	0.2/0.3/0.4	0.2/0.3/0.4	0.2/0.3/0.4	0.2/0.3/0.4	0.2/0.3/0.4	
		Speed 3	A	0.3/0.4/0.5	0.3/0.4/0.5	0.3/0.4/0.5	0.3/0.4/0.5	0.3/0.4/0.5	
		Speed 4	A	0.4/0.5/0.6	0.4/0.5/0.6	0.4/0.5/0.6	0.4/0.5/0.6	0.4/0.5/0.6	
		Speed 5	A	0.5/0.6/0.6	0.5/0.6/0.6	0.5/0.6/0.6	0.5/0.6/0.6	0.5/0.6/0.6	
		Speed I	W	-	-	-	-	-	
		Speed II (Default setting)	W	-	-	-	-	-	
Water circulation pump (DHW circuit)	Current	Speed III	W	-	-	-	-	-	
		Speed I	A	-	-	-	-	-	
		Speed II (Default setting)	A	-	-	-	-	-	
	Flow rate	Speed III	A	-	-	-	-	-	
		Speed I	L/min	-	-	-	-	-	
		Speed II (Default setting)	L/min	-	-	-	-	-	
Flow rate	Speed III	L/min	-	-	-	-	-		
	Max.*4	L/min	36.9	36.9	36.9	36.9	36.9		
	Min.*5	L/min	5.0	5.0	5.0	5.0	5.0		
Heat exchanger	Refrigerant - Primary circuit water	-	-	-	-	-	-		
	Primary circuit water - Domestic hot water	-	-	-	-	-	-		
Domestic hot water tank	Volume	L	-	-	-	-	-		
	Material	-	-	-	-	-	-		
	Declared load profile	-	-	-	-	-	-		
	Average climate	η_{wh} (water heating efficiency)*6	-	-	-	-	-		
		P_{es} (standby power input)*6	kW	-	-	-	-		
		Water heater energy efficiency class	-	-	-	-	-		
Heat loss *7	kWh/24hr	-	-	-	-	-			
Expansion vessel (Primary circuit)	Volume	L	-	10	10	10	-		
	Charge pressure	MPa	-	0.1	0.1	0.1	-		
Safety device	Primary circuit	Control thermistor	°C	1 to 80	1 to 80	1 to 80	1 to 80	1 to 80	
		Pressure relief valve	MPa	0.3	0.3	0.3	0.3	0.3	
		Flow sensor (Min. flow)	L/min	5.0	5.0	5.0	5.0	5.0	
		BH manual reset thermostat	°C	-	90	90	90	90	
		BH thermal Cut Off	°C	-	121	121	121	121	
		Control thermistor	°C	-	-	-	-	-	
	DHW tank	IH manual reset thermostat	°C	-	-	-	-	-	
		Temperature & pressure relief valve	°C	-	-	-	-	-	
			MPa	-	-	-	-	-	
			mm	-	-	-	-	-	
Connections	Water	Primary circuit	mm	φ28	φ28	φ28	φ28	φ28	
		DHW circuit	mm	-	-	-	-	-	
	Refrigerant	Gas	mm	-	-	-	-	-	
		Liquid	mm	-	-	-	-	-	
Refrigerant *8		-	R32	R32	R32	R32	R32		
Guaranteed operating range *9	Ambient	°C	0~35	0~35	0~35	0~35	0~35		
		%RH	≤80	≤80	≤80	≤80	≤80		
	Outdoor temperature	Heating	°C	See outdoor unit spec table					
Operating range	Heating	Room temperature	°C	10 to 30	10 to 30	10 to 30	10 to 30	10 to 30	
		Flow temperature	°C	20 to 60	20 to 60	20 to 60	20 to 60	20 to 60	
	Cooling	Room temperature	°C	-	-	-	-	-	
		Flow temperature	°C	-	-	-	-	-	
	DHW *10	°C	-	-	-	-	-		
	Legionella prevention *10	°C	-	-	-	-	-		
Sound power level (PWL)		dB(A)	40	40	40	40	40		

*1 Volume of sanitary water circuit, primary DHW circuit (from 3-way valve to confluent point with Heating circuit), piping to Expansion vessel, and Expansion vessel is not included in this value.
 *2 When powered from independent source.
 *3 Allowable flow rate range differs depending on connected outdoor unit. Please refer to section 5.6.4.
 *4 If the water flow rate range exceeds maximum, the flow speed will be greater than 2.0 m/s, which could corrode the pipes.
 *5 If the water flow is less than the minimum, the flow error will be activated.

*6 Hot water performance differs depending on connected outdoor unit.
 *7 24h temperature decay at top of the tank from 55degC at ambient temperature 20degC (BS EN 12897)
 *8 Refrigerant of outdoor unit connected to cylinder unit.
 *9 The environment must be frost-free.
 *10 For the model without both booster heater and immersion heater, the max. hot water temperature is [Max. outlet water of outdoor unit -3°C]. For the max. outlet of outdoor unit spec table.

2 Specifications

Model name				ERPX-MD	ERPX-VM2D	ERPX-VM6D	ERPX-VM9D		
Dimensions	Without package	Height	mm	800	800	800	800		
		Width	mm	530	530	530	530		
		Depth	mm	360	360	360	360		
	With package	Height	mm	560	560	560	560		
		Width	mm	600	600	600	600		
		Depth	mm	990	990	990	990		
Casing	Munsell	-	6.2PB 9/0.9	6.2PB 9/0.9	6.2PB 9/0.9	6.2PB 9/0.9			
	RAL code	-	260 90 05	260 90 05	260 90 05	260 90 05			
	Material	-	Pre-coated metal	Pre-coated metal	Pre-coated metal	Pre-coated metal			
Product weight (empty)			kg	30	33	34	35		
Product weight (full)			kg	31	37	38	39		
Gross weight			kg	44	46	47	48		
Water volume of heating circuit in the unit *1			L	1.0	4.5	4.5	4.5		
Type of Installation			-	Wall mounted	Wall mounted	Wall mounted	Wall mounted		
Electrical data	Control board *2 (Including 3 pumps)	Power supply	Ph	~N	~N	~N	~N		
			V	230	230	230	230		
			Hz	50	50	50	50		
		Input	kW	0.30	0.30	0.30	0.30		
			Current	A	1.95	1.95	1.95	1.95	
			Breaker	A	10	10	10	10	
	Booster heater	Power supply	Ph	-	~N	~N	3~		
			V	-	230	230	400		
			Hz	-	50	50	50		
		Capacity	kW	-	2	2+4	3+6		
		Heater step	-	-	1	-	3		
		Current	A	-	9	26	13		
	Immersion heater	Power supply	Ph	-	-	-	-		
			V	-	-	-	-		
			Hz	-	-	-	-		
		Capacity	kW	-	-	-	-		
		Current	A	-	-	-	-		
		Breaker	A	-	-	-	-		
	Water circulation pump (Primary circuit)	Type	-	DC motor	DC motor	DC motor	DC motor		
			Input (10/20/max L/min)*3	Speed 1	W	10/13/15	10/13/15	10/13/15	10/13/15
				Speed 2	W	16/21/27	16/21/27	16/21/27	16/21/27
Speed 3				W	24/32/42	24/32/42	24/32/42	24/32/42	
Speed 4				W	34/46/58	34/46/58	34/46/58	34/46/58	
Speed 5				W	47/58/60	47/58/60	47/58/60	47/58/60	
Performance curve: please refer to section 5.6.4	Current (10/20/max L/min)*3	Speed 1	A	0.2/0.2/0.3	0.2/0.2/0.3	0.2/0.2/0.3	0.2/0.2/0.3		
		Speed 2	A	0.2/0.3/0.4	0.2/0.3/0.4	0.2/0.3/0.4	0.2/0.3/0.4		
		Speed 3	A	0.3/0.4/0.5	0.3/0.4/0.5	0.3/0.4/0.5	0.3/0.4/0.5		
		Speed 4	A	0.4/0.5/0.6	0.4/0.5/0.6	0.4/0.5/0.6	0.4/0.5/0.6		
		Speed 5	A	0.5/0.6/0.6	0.5/0.6/0.6	0.5/0.6/0.6	0.5/0.6/0.6		
		Water circulation pump (DHW circuit)	Input	Speed I	W	-	-	-	-
Speed II (Default setting)	W			-	-	-	-		
Speed III	W			-	-	-	-		
Current	Speed I		A	-	-	-	-		
	Speed II (Default setting)		A	-	-	-	-		
	Speed III		A	-	-	-	-		
Flow rate	Speed I	L/min	-	-	-	-			
	Speed II (Default setting)	L/min	-	-	-	-			
	Speed III	L/min	-	-	-	-			
Flow rate	Primary circuit	Max.*4	L/min	36.9	36.9	36.9	36.9		
		Min.*5	L/min	5.0	5.0	5.0	5.0		
Heat exchanger	Refrigerant - Primary circuit water	-	-	-	-	-			
	Primary circuit water - Domestic hot water	-	-	-	-	-			
Domestic hot water tank	Volume	L	-	-	-	-			
	Material	-	-	-	-	-			
	Declared load profile	-	-	-	-	-			
	Average climate	η_{wh} (water heating efficiency)*6	-	-	-	-	-		
		P_{as} (standby power input)*6	kW	-	-	-	-		
		Water heater energy efficiency class	-	-	-	-	-		
Heat loss *7		kWh/24hr	-	-	-	-			
Expansion vessel (Primary circuit)	Volume	L	10	10	10	10			
	Charge pressure	MPa	0.1	0.1	0.1	0.1			
Safety device	Primary circuit	Control thermistor	°C	1~80	1~80	1~80	1~80		
		Pressure relief valve	MPa	0.3	0.3	0.3	0.3		
		Flow sensor (Min. flow)	L/min	5.0	5.0	5.0	5.0		
		BH manual reset thermostat	°C	90	90	90	90		
		BH thermal Cut Off	°C	121	121	121	121		
		DHW tank	Control thermistor	°C	-	-	-	-	
	IH manual reset thermostat		°C	-	-	-	-		
	Temperature & pressure relief valve		°C	-	-	-	-		
			MPa	-	-	-	-		
	Connections	Water	Primary circuit	mm	G1-A	G1-A	G1-A	G1-A	
DHW circuit			mm	-	-	-	-		
Refrigerant		Gas	mm	-	-	-	-		
		Liquid	mm	-	-	-	-		
Refrigerant *8	-	Water	Water	Water	Water				
Guaranteed operating range *9	Ambient	°C	0~35	0~35	0~35	0~35			
		%RH	≤80	≤80	≤80	≤80			
	Outdoor temperature	Heating	°C	See outdoor unit spec table					
Cooling		°C	10 to 46	10 to 46	10 to 46	10 to 46			
Operating range	Heating	Room temperature	°C	10~30	10~30	10~30	10~30		
		Flow temperature	°C	20~60	20~60	20~60	20~60		
	Cooling	Room temperature	°C	-	-	-	-		
		Flow temperature	°C	5~25	5~25	5~25	5~25		
	DHW *10	°C	-	-	-	-			
	Legionella prevention *10	°C	-	-	-	-			
Sound power level (PWL)	-	dB(A)	40	40	40	40			

*1 Volume of sanitary water circuit, primary DHW circuit (from 3-way valve to confluent point with Heating circuit), piping to Expansion vessel, and Expansion vessel is not included in this value.
 *2 When powered from independent source.
 *3 Allowable flow rate range differs depending on connected outdoor unit. Please refer to section 5.6.4.
 *4 If the water flow rate range exceeds maximum, the flow speed will be greater than 2.0 m/s, which could corrode the pipes.
 *5 If the water flow is less than the minimum, the flow error will be activated.

*6 Hot water performance differs depending on connected outdoor unit.
 *7 24h temperature decay at top of the tank from 65degC at ambient temperature 20degC (BS EN 12897)
 *8 Refrigerant of outdoor unit connected to cylinder unit.
 *9 The environment must be frost-free.
 *10 For the model without both booster heater and immersion heater, the max. hot water temperature is [Max. outlet water of outdoor unit -3°C]. For the max. outlet of outdoor unit spec table.

2 Specifications

2.3. Ground source heat pump (GSHP)

Model name			EHGT17D-YM9ED		
Dimensions	Height	mm	1750		
	Width	mm	595		
	Depth	mm	680		
Casing	Munsell	-	6.2PB 9/0.9		
	RAL code	-	260 90 05		
	Material	-	Pre-coated metal		
Product weight (empty)		kg	181		
Product weight (full)		kg	360		
Gross weight		kg	198		
Water volume of heating circuit in the unit *1		L	5.47		
Brine volume of brine circuit in the unit		L	3.11		
Type of Installation		-	Floor standing		
Electrical data	Heat pump (exclude booster heater)	Power supply	Ph	3N~	
			V	400	
			Hz	50	
		Breaker	A	16	
	Booster heater	Power supply	Ph	3~	
			V	400	
			Hz	50	
		Capacity	kW	9	
		Heater step	-	3	
		Breaker	A	13	
	Immersion heater	Power supply	Ph	-	
			V	-	
			Hz	-	
		Capacity	kW	-	
Current		A	-		
Breaker		A	-		
Water circulation pump (Primary circuit)	Type			DC motor	
		Input (10/20/max L/min)	Speed 1	10/13/15	
			Speed 2	16/21/27	
			Speed 3	24/32/42	
			Speed 4	34/46/58	
			Speed 5	47/58/60	
	Performance curve: please refer to section 4.6.4	Current (10/20/max L/min)	Speed 1	0.2/0.2/0.3	
			Speed 2	0.2/0.3/0.4	
			Speed 3	0.3/0.4/0.5	
			Speed 4	0.4/0.5/0.6	
			Speed 5	0.5/0.6/0.6	
Water circulation pump (DHW circuit)	Input	Speed I	55		
		Speed II (Default setting)	69		
		Speed III	80		
	Current	Speed I	0.25		
		Speed II (Default setting)	0.31		
		Speed III	0.34		
	Flow rate	Speed I	13.5		
		Speed II (Default setting)	19.0		
		Speed III	22.9		
Flow rate	Primary circuit	Max.*2	L/min 27.7		
		Min.*3	L/min 7.1		
Heat exchanger	Brine circuit - Refrigerant		-	MWA1-70PA	
	Refrigerant - Primary circuit water		-	MWA1-44PA	
	Primary circuit water - Domestic hot water		-	CBH18-18H	
Domestic hot water tank	Volume		L	170	
	Material		-	Duplex 2304 stainless steel (EN10088)	
	Declared load profile		-	L	
	Average climate	η_{wh} (water heating efficiency)		-	134
		Water heater energy efficiency class		-	A+
Expansion vessel (Primary circuit)	Volume		L	-	
	Charge pressure		MPa	-	
Safety device	Primary circuit	Control thermistor	°C	1 to 80	
		Pressure relief valve	MPa	0.3	
		Flow sensor (Min. flow)	L/min	5.0	
		BH manual reset thermostat	°C	90	
		BH thermal Cut Off	°C	121	
		DHW tank	°C	40 to 70	
	DHW tank	IH manual reset thermostat	°C	-	
		Temperature & pressure relief valve	°C	-	
			MPa	-	
			°C	-8 to 30	
Brine circuit	Flow switch (Min. flow)	L/min	5.5		
	Control thermistor (High)	°C	-20 to 125		
Refrigerant circuit	Control thermistor (Low)	°C	-40 to 90		
	Pressure switch	MPa	4.14 ± 0.1		
	Pressure sensor	MPa	0 to 5.0		
Connections	Water	Primary circuit	mm	φ28	
		DHW circuit	mm	φ22	
	Brine	mm	φ28		
Refrigerant		-	R32		
Guaranteed operating range *4	Ambient		°C	0 to 35	
			%RH	≤ 80	
Operating range	Heating	Room temperature	°C	10 to 30	
		Flow temperature	°C	20 to 60	
	DHW		°C	40 to 60	
	Legionella prevention		°C	60 to 70	
Sound power level		dB(A)	42		

*1 Volume of sanitary water circuit is not included in this value.

*2 If the water flow rate exceeds maximum, the flow speed will be greater than 2.0 m/s, which could corrode the pipes.

*3 If the water flow is less than the minimum, the flow error will be activated.

*4 The environment must be frost-free.

2 Specifications

2.4 Water to Water Heat Pump (WTW)

Model name			EHW17D-MHEDW		
Dimensions	Height	mm	1750		
	Width	mm	595		
	Depth	mm	680		
Casing	Munsell	-	6.2PB 9/0.9		
	RAL code	-	260 90 05		
	Material	-	Pre-coated metal		
Product weight (empty)		kg	166		
Product weight (full)		kg	345		
Gross weight		kg	183		
Water volume of heating circuit in the unit *1		L	5.47		
Brine/Water volume of ambient loop circuit in the unit		L	3.16		
Type of Installation		-	Floor standing		
Electrical data	Heat pump (exclude immersion heater)	Power supply	Ph	~N	
			V	230	
			Hz	50	
	Booster heater	Power supply	Ph	-	
			V	-	
			Hz	-	
			Capacity	kW	-
			Heater step	-	-
			Current	A	-
	Immersion heater	Power supply	Ph	~N	
			V	230	
			Hz	50	
			Capacity	kW	3
			Current	A	13
			Breaker	A	16
Water circulation pump (Primary circuit)	Type	DC motor			
		Input (10/20/max L/min)	Speed 1	10/13/15	
			Speed 2	16/21/27	
			Speed 3	24/32/42	
			Speed 4	34/46/58	
			Speed 5	47/58/60	
	Current (10/20/max L/min)	Speed 1	0.2/0.2/0.3		
		Speed 2	0.2/0.3/0.4		
		Speed 3	0.3/0.4/0.5		
		Speed 4	0.4/0.5/0.6		
		Speed 5	0.5/0.6/0.6		
Water circulation pump (DHW circuit)	Input	Speed I	55		
		Speed II (Default setting)	69		
		Speed III	80		
	Current	Speed I	0.25		
		Speed II (Default setting)	0.31		
		Speed III	0.34		
	Flow rate	Speed I	13.5		
		Speed II (Default setting)	19.0		
		Speed III	22.9		
Flow rate	Primary circuit	Max.*2	L/min 27.7		
		Min.*3	L/min 7.1		
	Ambient loop	Max.*2	L/min 24.0		
		Min.*3	L/min 7.2		
	Heat exchanger	Ambient loop circuit - Refrigerant	-	MWA1-70PA	
		Refrigerant - Primary circuit water	-	MWA1-44PA	
Primary circuit water - Domestic hot water		-	CBH18-18H		
Domestic hot water tank	Volume	L	170		
	Material	-	Duplex 2101 stainless steel (EN10088)		
	Declared load profile	-	L		
	Average climate	η_{wh} (water heating efficiency)	-	171	
Expansion vessel (Primary circuit)	Volume	L	-		
	Charge pressure	MPa	-		
Safety device	Primary circuit	Control thermistor	°C	1 to 80	
		Pressure relief valve	MPa	0.3	
		Flow sensor (Min. flow)	L/min	5.0	
		BH manual reset thermostat	°C	-	
		BH thermal Cut Off	°C	-	
		DHW tank	Control thermistor	°C	40 to 70
	IH manual reset thermostat		°C	85	
	Temperature & pressure relief valve		°C	90	
			MPa	0.7	
	Ambient loop	Control thermistor	°C	10 to 30	
Flow switch (Min. flow)		L/min	5.5		
Refrigerant circuit	Control thermistor (High)	°C	-20 to 125		
	Control thermistor (Low)	°C	-40 to 90		
	Pressure switch	MPa	4.14 ± 0.1		
	Pressure sensor	MPa	0 to 5.0		
Connections	Water	Primary circuit	mm	φ28	
		DHW circuit	mm	φ22	
	Ambient loop	mm	φ22		
Refrigerant	-	-	R32		
Guaranteed operating range	Ambient *4	°C	0 to 35		
	Water inlet temperature (Ambient loop)	%RH	≤80		
	Min. Water outlet temperature (Ambient loop)	°C	10 to 30		
Operating range	Heating	Room temperature	°C	10 to 30	
		Flow temperature	°C	20 to 60	
	DHW	Room temperature	°C	40 to 60	
		Flow temperature	°C	60 to 70	
Sound power level		dB(A)	38		

*1 Volume of sanitary water circuit is not included in this value.

*2 If the water flow rate exceeds maximum, the flow speed will be greater than 2.0 m/s, which could corrode the pipes.

*3 If the water flow is less than the minimum, the flow error will be activated.

*4 The environment must be frost-free.

3 Performance data

3.1 Combination performance

■ Packaged type

			Cylinder unit														Hydrobox												
			ERPT17X-VM2D	ERPT20X-VM2D	ERPT20X-MD	ERPT20X-VM6D	ERPT30X-VM2ED	ERPT30X-VM6ED	EHPT17X-VM2D	EHPT17X-VM6D	EHPT17X-VM9D	EHPT20X-MED	EHPT20X-VM6D	EHPT20X-VM9D	EHPT20X-VM9ED	EHPT20X-TM9D	EHPT20X-MHEDW	EHPT30X-MED	EHPT30X-VM9ED	ERPX-MD	ERPX-VM2D	ERPX-VM6D	ERPX-VM9D	EHPX-VM2D	EHPX-VM6D	EHPX-VM9D	EHPX-MED	EHPX-VM9ED	
Outdoor unit			PUZ-WM50VHA(-BS)																										
Heating A7/W35	Capacity	kW	5.00	-	-	-	-	-	-	-	5.00	-	-	-	-	-	-	-	-	-	-	-	-	-	-	-	-	5.00	
	COP	-	5.00	-	-	-	-	-	-	-	5.00	-	-	-	-	-	-	-	-	-	-	-	-	-	-	-	-	5.00	
	Power input(*)	kW	1.00	-	-	-	-	-	-	-	-	1.00	-	-	-	-	-	-	-	-	-	-	-	-	-	-	-	1.00	
Heating A7/W45	Capacity	kW	5.00	-	-	-	-	-	-	-	5.00	-	-	-	-	-	-	-	-	-	-	-	-	-	-	-	-	5.00	
	COP	-	3.87	-	-	-	-	-	-	-	3.87	-	-	-	-	-	-	-	-	-	-	-	-	-	-	-	-	3.87	
	Power input(*)	kW	1.29	-	-	-	-	-	-	-	1.29	-	-	-	-	-	-	-	-	-	-	-	-	-	-	-	-	1.29	
Heating A2/W35	Capacity	kW	5.00	-	-	-	-	-	-	-	5.00	-	-	-	-	-	-	-	-	-	-	-	-	-	-	-	-	5.00	
	COP	-	3.70	-	-	-	-	-	-	-	3.70	-	-	-	-	-	-	-	-	-	-	-	-	-	-	-	-	3.70	
	Power input(*)	kW	1.35	-	-	-	-	-	-	-	1.35	-	-	-	-	-	-	-	-	-	-	-	-	-	-	-	-	1.35	
Cooling A35/W7	Capacity	kW	4.50	-	-	-	-	-	-	-	-	-	-	-	-	-	-	-	-	-	-	4.50	-	-	-	-	-	-	
	EER	-	3.40	-	-	-	-	-	-	-	-	-	-	-	-	-	-	-	-	-	-	3.40	-	-	-	-	-	-	
	Power input(*)	kW	1.32	-	-	-	-	-	-	-	-	-	-	-	-	-	-	-	-	-	-	1.32	-	-	-	-	-	-	
Cooling A35/W18	Capacity	kW	4.50	-	-	-	-	-	-	-	-	-	-	-	-	-	-	-	-	-	-	4.50	-	-	-	-	-	-	
	EER	-	5.00	-	-	-	-	-	-	-	-	-	-	-	-	-	-	-	-	-	-	5.00	-	-	-	-	-	-	
	Power input(*)	kW	0.90	-	-	-	-	-	-	-	-	-	-	-	-	-	-	-	-	-	-	0.90	-	-	-	-	-	-	
Outdoor unit			PUZ-WM60VAA(-BS)																										
Heating A7/W35	Capacity	kW	6.00	-	-	-	-	-	-	-	6.00	-	-	-	-	-	-	-	-	-	-	-	-	-	-	-	-	6.00	
	COP	-	5.06	-	-	-	-	-	-	-	5.06	-	-	-	-	-	-	-	-	-	-	-	-	-	-	-	-	5.06	
	Power input(*)	kW	1.19	-	-	-	-	-	-	-	1.19	-	-	-	-	-	-	-	-	-	-	-	-	-	-	-	-	1.19	
Heating A7/W45	Capacity	kW	6.00	-	-	-	-	-	-	-	6.00	-	-	-	-	-	-	-	-	-	-	-	-	-	-	-	-	6.00	
	COP	-	3.90	-	-	-	-	-	-	-	3.90	-	-	-	-	-	-	-	-	-	-	-	-	-	-	-	-	3.90	
	Power input(*)	kW	1.54	-	-	-	-	-	-	-	1.54	-	-	-	-	-	-	-	-	-	-	-	-	-	-	-	-	1.54	
Heating A2/W35	Capacity	kW	6.00	-	-	-	-	-	-	-	6.00	-	-	-	-	-	-	-	-	-	-	-	-	-	-	-	-	6.00	
	COP	-	3.75	-	-	-	-	-	-	-	3.75	-	-	-	-	-	-	-	-	-	-	-	-	-	-	-	-	3.75	
	Power input(*)	kW	1.60	-	-	-	-	-	-	-	1.60	-	-	-	-	-	-	-	-	-	-	-	-	-	-	-	-	1.60	
Cooling A35/W7	Capacity	kW	6.00	-	-	-	-	-	-	-	-	-	-	-	-	-	-	-	-	-	-	6.00	-	-	-	-	-	-	
	EER	-	3.30	-	-	-	-	-	-	-	-	-	-	-	-	-	-	-	-	-	-	3.30	-	-	-	-	-	-	
	Power input(*)	kW	1.82	-	-	-	-	-	-	-	-	-	-	-	-	-	-	-	-	-	-	1.82	-	-	-	-	-	-	
Cooling A35/W18	Capacity	kW	6.00	-	-	-	-	-	-	-	-	-	-	-	-	-	-	-	-	-	-	6.00	-	-	-	-	-	-	
	EER	-	4.45	-	-	-	-	-	-	-	-	-	-	-	-	-	-	-	-	-	-	4.45	-	-	-	-	-	-	
	Power input(*)	kW	1.35	-	-	-	-	-	-	-	-	-	-	-	-	-	-	-	-	-	-	1.35	-	-	-	-	-	-	
Outdoor unit			PUZ-WM85VAA(-BS)																										
Heating A7/W35	Capacity	kW	-	-	-	-	-	-	-	-	-	-	-	-	-	-	-	-	-	-	-	-	-	-	-	-	-	8.50	
	COP	-	-	-	-	-	-	-	-	-	-	-	-	-	-	-	-	-	-	-	-	-	-	-	-	-	-	4.80	
	Power input(*)	kW	-	-	-	-	-	-	-	-	-	-	-	-	-	-	-	-	-	-	-	-	-	-	-	-	-	1.77	
Heating A7/W45	Capacity	kW	-	-	-	-	-	-	-	-	-	-	-	-	-	-	-	-	-	-	-	-	-	-	-	-	-	8.50	
	COP	-	-	-	-	-	-	-	-	-	-	-	-	-	-	-	-	-	-	-	-	-	-	-	-	-	-	3.70	
	Power input(*)	kW	-	-	-	-	-	-	-	-	-	-	-	-	-	-	-	-	-	-	-	-	-	-	-	-	-	2.30	
Heating A2/W35	Capacity	kW	-	-	-	-	-	-	-	-	-	-	-	-	-	-	-	-	-	-	-	-	-	-	-	-	-	8.50	
	COP	-	-	-	-	-	-	-	-	-	-	-	-	-	-	-	-	-	-	-	-	-	-	-	-	-	-	3.51	
	Power input(*)	kW	-	-	-	-	-	-	-	-	-	-	-	-	-	-	-	-	-	-	-	-	-	-	-	-	-	2.42	
Cooling A35/W7	Capacity	kW	-	-	7.50	-	-	-	-	-	-	-	-	-	-	-	-	-	-	-	-	-	7.50	-	-	-	-	-	
	EER	-	-	-	3.15	-	-	-	-	-	-	-	-	-	-	-	-	-	-	-	-	-	3.15	-	-	-	-	-	
	Power input(*)	kW	-	-	2.38	-	-	-	-	-	-	-	-	-	-	-	-	-	-	-	-	-	2.38	-	-	-	-	-	
Cooling A35/W18	Capacity	kW	-	-	7.50	-	-	-	-	-	-	-	-	-	-	-	-	-	-	-	-	-	7.50	-	-	-	-	-	
	EER	-	-	-	4.90	-	-	-	-	-	-	-	-	-	-	-	-	-	-	-	-	-	4.90	-	-	-	-	-	
	Power input(*)	kW	-	-	1.53	-	-	-	-	-	-	-	-	-	-	-	-	-	-	-	-	-	1.53	-	-	-	-	-	
Outdoor unit			PUZ-WM85YAA(-BS)																										
Heating A7/W35	Capacity	kW	-	-	-	-	-	-	-	-	-	-	-	-	-	-	-	-	-	-	-	-	-	-	-	-	-	8.50	
	COP	-	-	-	-	-	-	-	-	-	-	-	-	-	-	-	-	-	-	-	-	-	-	-	-	-	-	4.70	
	Power input(*)	kW	-	-	-	-	-	-	-	-	-	-	-	-	-	-	-	-	-	-	-	-	-	-	-	-	-	1.81	
Heating A7/W45	Capacity	kW	-	-	-	-	-	-	-	-	-	-	-	-	-	-	-	-	-	-	-	-	-	-	-	-	-	8.50	
	COP	-	-	-	-	-	-	-	-	-	-	-	-	-	-	-	-	-	-	-	-	-	-	-	-	-	-	3.70	
	Power input(*)	kW	-	-	-	-	-	-	-	-	-	-	-	-	-	-	-	-	-	-	-	-	-	-	-	-	-	2.30	
Heating A2/W35	Capacity	kW	-	-	-	-	-	-	-	-	-	-	-	-	-	-	-	-	-	-	-	-	-	-	-	-	-	11.20	
	COP	-	-	-	-	-	-	-	-	-	-	-	-	-	-	-	-	-	-	-	-	-	-	-	-	-	-	3.44	
	Power input(*)	kW	-	-	-	-	-	-	-	-	-	-	-	-	-	-	-	-	-	-	-	-	-	-	-	-	-	3.26	
Cooling A35/W7	Capacity	kW	-	-	7.50	-	-	-	-	-	-	-	-	-	-	-	-	-	-	-	-	-	7.50	-	-	-	-	-	
	EER	-	-	-	3.15	-	-	-	-	-	-	-	-	-	-	-	-	-	-	-	-	-	3.15	-	-	-	-	-	
	Power input(*)	kW	-	-	3.28	-	-	-	-	-	-	-	-	-	-	-	-	-	-	-	-	-	3.28	-	-	-	-	-	
Cooling A35/W18	Capacity	kW	-	-	7.50	-	-	-	-	-	-	-	-	-	-	-	-	-	-	-	-	-	7.50	-	-	-	-	-	
	EER	-	-	-	4.90	-	-	-	-	-	-	-	-	-	-	-	-	-	-	-	-	-	4.90	-	-	-	-	-	
	Power input(*)	kW	-	-	1.53	-	-	-	-	-	-	-	-	-	-	-	-	-	-	-	-	-	1.53	-	-	-	-	-	

Note: "Power input" in the above table are values that contains the "pump input (Based on EN 14511)".

Heating A7W35: Heating outside air DB 7°C/WB 6°C, Water outlet temperature 35°C (ΔT=5°C)
 A7W45: Heating outside air DB 7°C/WB 6°C, Water outlet temperature 45°C (ΔT=5°C)
 A2W35: Heating outside air DB 2°C/WB 1°C, Water outlet temperature 35°C (ΔT

3 Performance data

			Cylinder unit														Hydrobox													
			ERPT17X-VM2D	ERPT20X-VM2D	ERPT20X-MD	ERPT20X-VM6D	ERPT30X-VM2ED	ERPT30X-VM6ED	EHPT17X-VM2D	EHPT17X-VM6D	EHPT17X-VM9D	EHPT20X-MED	EHPT20X-VM6D	EHPT20X-VM9D	EHPT20X-VM9ED	EHPT20X-TM9D	EHPT20X-MHEDW	EHPT30X-MED	EHPT30X-VM9ED	ERPX-MD	ERPX-VM2D	ERPX-VM6D	ERPX-VM9D	EHPX-VM2D	EHPX-VM6D	EHPX-VM9D	EHPX-MED	EHPX-VM9ED		
Outdoor unit			PUZ-WM112VAA/YAA(-BS)																											
Heating A7/W35	Capacity	kW	-	11.20	-	-	-	-	-	-	-	-	-	-	-	-	-	-	-	-	-	-	-	-	-	-	-	-	11.20	
	COP	-	-	4.70	-	-	-	-	-	-	-	-	-	-	-	-	-	-	-	-	-	-	-	-	-	-	-	-	4.70	
	Power input(*)	kW	-	2.38	-	-	-	-	-	-	-	-	-	-	-	-	-	-	-	-	-	-	-	-	-	-	-	-	2.38	
Heating A7/W45	Capacity	kW	-	11.20	-	-	-	-	-	-	-	-	-	-	-	-	-	-	-	-	-	-	-	-	-	-	-	11.20		
	COP	-	-	3.70	-	-	-	-	-	-	-	-	-	-	-	-	-	-	-	-	-	-	-	-	-	-	-	3.70		
	Power input(*)	kW	-	3.03	-	-	-	-	-	-	-	-	-	-	-	-	-	-	-	-	-	-	-	-	-	-	-	3.03		
Heating A2/W35	Capacity	kW	-	11.20	-	-	-	-	-	-	-	-	-	-	-	-	-	-	-	-	-	-	-	-	-	-	-	11.20		
	COP	-	-	3.44	-	-	-	-	-	-	-	-	-	-	-	-	-	-	-	-	-	-	-	-	-	-	-	3.44		
	Power input(*)	kW	-	3.26	-	-	-	-	-	-	-	-	-	-	-	-	-	-	-	-	-	-	-	-	-	-	-	3.26		
Cooling A35/W7	Capacity	kW	-	10.00	-	-	-	-	-	-	-	-	-	-	-	-	-	-	-	-	-	-	-	-	-	-	-	10.00		
	EER	-	-	3.25	-	-	-	-	-	-	-	-	-	-	-	-	-	-	-	-	-	-	-	-	-	-	-	3.25		
	Power input(*)	kW	-	3.08	-	-	-	-	-	-	-	-	-	-	-	-	-	-	-	-	-	-	-	-	-	-	-	3.08		
Cooling A35/W18	Capacity	kW	-	10.00	-	-	-	-	-	-	-	-	-	-	-	-	-	-	-	-	-	-	-	-	-	-	-	10.00		
	EER	-	-	4.80	-	-	-	-	-	-	-	-	-	-	-	-	-	-	-	-	-	-	-	-	-	-	-	4.80		
	Power input(*)	kW	-	2.08	-	-	-	-	-	-	-	-	-	-	-	-	-	-	-	-	-	-	-	-	-	-	-	2.08		
Outdoor unit			PUZ-HWM140VHA/YHA(-BS)																											
Heating A7/W35	Capacity	kW	-	14.00	-	-	-	-	-	-	-	-	-	-	-	-	-	-	-	-	-	-	-	-	-	-	-	14.00		
	COP	-	-	4.46	-	-	-	-	-	-	-	-	-	-	-	-	-	-	-	-	-	-	-	-	-	-	-	4.46		
	Power input(*)	kW	-	3.14	-	-	-	-	-	-	-	-	-	-	-	-	-	-	-	-	-	-	-	-	-	-	-	3.14		
Heating A7/W45	Capacity	kW	-	14.0	-	-	-	-	-	-	-	-	-	-	-	-	-	-	-	-	-	-	-	-	-	-	-	14.0		
	COP	-	-	3.50	-	-	-	-	-	-	-	-	-	-	-	-	-	-	-	-	-	-	-	-	-	-	-	3.50		
	Power input(*)	kW	-	4.00	-	-	-	-	-	-	-	-	-	-	-	-	-	-	-	-	-	-	-	-	-	-	-	4.00		
Heating A2/W35	Capacity	kW	-	14.00	-	-	-	-	-	-	-	-	-	-	-	-	-	-	-	-	-	-	-	-	-	-	-	14.00		
	COP	-	-	3.15	-	-	-	-	-	-	-	-	-	-	-	-	-	-	-	-	-	-	-	-	-	-	-	3.15		
	Power input(*)	kW	-	4.44	-	-	-	-	-	-	-	-	-	-	-	-	-	-	-	-	-	-	-	-	-	-	-	4.44		
Cooling A35/W7	Capacity	kW	-	11.90	-	-	-	-	-	-	-	-	-	-	-	-	-	-	-	-	-	-	-	-	-	-	-	11.90		
	EER	-	-	3.00	-	-	-	-	-	-	-	-	-	-	-	-	-	-	-	-	-	-	-	-	-	-	-	3.00		
	Power input(*)	kW	-	3.97	-	-	-	-	-	-	-	-	-	-	-	-	-	-	-	-	-	-	-	-	-	-	-	3.97		
Cooling A35/W18	Capacity	kW	-	11.10	-	-	-	-	-	-	-	-	-	-	-	-	-	-	-	-	-	-	-	-	-	-	-	11.10		
	EER	-	-	4.10	-	-	-	-	-	-	-	-	-	-	-	-	-	-	-	-	-	-	-	-	-	-	-	4.10		
	Power input(*)	kW	-	2.71	-	-	-	-	-	-	-	-	-	-	-	-	-	-	-	-	-	-	-	-	-	-	-	2.71		

Note: "Power input" in the above table are values that contains the "pump input (Based on EN 14511)".

Heating A7W35: Heating outside air DB 7°C/WB 6°C, Water outlet temperature 35°C (ΔT=5°C)
 A7W45: Heating outside air DB 7°C/WB 6°C, Water outlet temperature 45°C (ΔT=5°C)
 A2W35: Heating outside air DB 2°C/WB 1°C, Water outlet temperature 35°C (ΔT=5°C)
 Cooling A35/W7: Cooling outside air DB 35°C, Water outlet temperature 7°C (ΔT=5°C)
 A35/W18: Cooling outside air DB 35°C, Water outlet temperature 18°C (ΔT=5°C)

3 Performance data

Split type

			Cylinder unit														Hydrobox																			
			ERST17D-VM2D	ERST17D-VM2BD	ERST17D-VM6D	ERST17D-VM6BD	ERST17D-VM9BD	ERST20D-VM2D	ERST20D-VM6D	ERST20D-VM9D	ERST30D-VM2ED	ERST30D-VM6ED	ERST30D-VM9ED	EHST17D-VM2D	EHST17D-VM9D	EHST20D-MED	EHST20D-VM2D	EHST20D-VM6D	EHST20D-VM9D	EHST20D-VM9ED	EHST20D-TM9D	EHST30D-MED	EHST30D-VM6ED	EHST30D-VM9ED	EHST30D-TM9ED	ERSD-MED	ERSD-VM2D	ERSD-VM6D	ERSD-VM9D	EHSD-MED	EHSD-VM2D	EHSD-VM6D	EHSD-VM9D	EHSD-VM9ED	EHSD-TM9D	
Outdoor unit			SUZ-SWM40VA																																	
Heating A7/W35	Capacity	kW																																4.00		
	COP	-																																5.20		
	Power input(*)	kW																																0.77		
Heating A7/W45	Capacity	kW																																4.00		
	COP	-																																3.70		
	Power input(*)	kW																																1.08		
Heating A2/W35	Capacity	kW																																4.00		
	COP	-																																3.90		
	Power input(*)	kW																																1.03		
Cooling A35/W7	Capacity	kW											4.50										4.50													
	EER	-											3.29										3.29													
	Power input(*)	kW											1.37										1.37													
Cooling A35/W18	Capacity	kW											5.60										5.60													
	EER	-											4.97										4.97													
	Power input(*)	kW											1.13										1.13													
Outdoor unit			SUZ-SWM60VA																																	
Heating A7/W35	Capacity	kW																																6.00		
	COP	-																																4.86		
	Power input(*)	kW																																1.23		
Heating A7/W45	Capacity	kW																																6.00		
	COP	-																																3.61		
	Power input(*)	kW																																1.66		
Heating A2/W35	Capacity	kW																																5.00		
	COP	-																																3.33		
	Power input(*)	kW																																1.50		
Cooling A35/W7	Capacity	kW											5.00										5.00													
	EER	-											3.02										3.02													
	Power input(*)	kW											1.66										1.66													
Cooling A35/W18	Capacity	kW											6.00										6.00													
	EER	-											4.88										4.88													
	Power input(*)	kW											1.23										1.23													
Outdoor unit			SUZ-SWM80VA																																	
Heating A7/W35	Capacity	kW																																7.50		
	COP	-																																4.70		
	Power input(*)	kW																																1.60		
Heating A7/W45	Capacity	kW																																7.50		
	COP	-																																3.60		
	Power input(*)	kW																																2.08		
Heating A2/W35	Capacity	kW																																6.50		
	COP	-																																3.40		
	Power input(*)	kW																																1.91		
Cooling A35/W7	Capacity	kW											5.40										5.40													
	EER	-											3.00										3.00													
	Power input(*)	kW											1.80										1.80													
Cooling A35/W18	Capacity	kW											6.30										6.30													
	EER	-											4.80										4.80													
	Power input(*)	kW											1.31										1.31													
Outdoor unit			PUHZ-SW75VAA/YAA(-BS)																																	
Heating A7/W35	Capacity	kW																																8.00		
	COP	-																																4.40		
	Power input(*)	kW																																1.82		
Heating A7/W45	Capacity	kW																																8.00		
	COP	-																																3.40		
	Power input(*)	kW																																2.35		
Heating A2/W35	Capacity	kW																																7.50		
	COP	-																																3.40		
	Power input(*)	kW																																2.21		
Cooling A35/W7	Capacity	kW											7.10										7.10													
	EER	-											2.70										2.70													
	Power input(*)	kW											2.63										2.63													
Cooling A35/W18	Capacity	kW											7.10										7.10													
	EER	-											4.43										4.43													
	Power input(*)	kW											1.60										1.60													

* The pump input value is not included.

Heating A7/W35: Heating outside air DB 7°C/WB 6°C, Water outlet temperature 35°C (ΔT=5°C)

A7/W45: Heating outside air DB 7°C/WB 6°C, Water outlet temperature 45°C (ΔT=5°C)

A2/W35: Heating outside air DB 2°C/WB 1°C, Water outlet temperature 35°C (ΔT=5°C)

Cooling A35/W7: Cooling outside air DB 35°C, Water outlet temperature 7°C (ΔT=5°C)

A35/W18: Cooling outside air DB 35°C, Water outlet temperature 18°C (ΔT=5°C)

3 Performance data

			Cylinder unit															Hydrobox																	
			ERST17D-VM2D	ERST17D-VM2BD	ERST17D-VM6D	ERST17D-VM68D	ERST17D-VM98D	ERST20D-VM2D	ERST20D-VM6D	ERST20D-VM9D	ERST30D-VM2ED	ERST30D-VM6ED	ERST30D-VM9ED	EHST17D-VM2D	EHST17DYM9D	EHST20D-MED	EHST20D-VM2D	EHST20D-VM6D	EHST20D-VM9D	EHST20D-VM9ED	EHST20D-TM9D	EHST30D-MED	EHST30D-VM6ED	EHST30D-VM9ED	EHST30D-TM9ED	ERSD-MED	ERSD-VM2D	ERSD-VM6D	ERSD-VM9D	EHSD-MED	EHSD-VM2D	EHSD-VM6D	EHSD-VM9D	EHSD-VM9ED	EHSD-TM9D
Outdoor unit			SUZ-SWM30VA																																
Heating A7/W35	Capacity	kW	3.00																																
	COP	-	5.11																																
	Power input(*)	kW	0.59																																
Heating A7/W45	Capacity	kW	3.00																																
	COP	-	3.67																																
	Power input(*)	kW	0.82																																
Heating A2/W35	Capacity	kW	3.00																																
	COP	-	3.96																																
	Power input(*)	kW	0.76																																
Cooling A35/W7	Capacity	kW	3.50										-										3.50			-									
	EER	-	3.52										-										3.52			-									
	Power input(*)	kW	0.99										-										0.99			-									
Cooling A35/W18	Capacity	kW	3.50										-										3.50			-									
	EER	-	5.51										-										5.51			-									
	Power input(*)	kW	0.64										-										0.64			-									
Outdoor unit			SUZ-SHWM30VAH																																
Heating A7/W35	Capacity	kW	3.00																																
	COP	-	5.11																																
	Power input(*)	kW	0.59																																
Heating A7/W45	Capacity	kW	3.00																																
	COP	-	3.67																																
	Power input(*)	kW	0.82																																
Heating A2/W35	Capacity	kW	3.00																																
	COP	-	3.67																																
	Power input(*)	kW	0.82																																
Cooling A35/W7	Capacity	kW	3.50										-										3.50			-									
	EER	-	3.52										-										3.52			-									
	Power input(*)	kW	0.99										-										0.99			-									
Cooling A35/W18	Capacity	kW	3.50										-										3.50			-									
	EER	-	5.51										-										5.51			-									
	Power input(*)	kW	0.64										-										0.64			-									
Outdoor unit			SUZ-SWM40VA2(-SC)																																
Heating A7/W35	Capacity	kW	3.00																																
	COP	-	5.11																																
	Power input(*)	kW	0.59																																
Heating A7/W45	Capacity	kW	3.00																																
	COP	-	3.67																																
	Power input(*)	kW	0.82																																
Heating A2/W35	Capacity	kW	4.00																																
	COP	-	3.90																																
	Power input(*)	kW	1.03																																
Cooling A35/W7	Capacity	kW	4.50										-										4.50			-									
	EER	-	3.31										-										3.31			-									
	Power input(*)	kW	1.36										-										1.36			-									
Cooling A35/W18	Capacity	kW	5.60										-										5.60			-									
	EER	-	4.71										-										4.71			-									
	Power input(*)	kW	1.19										-										1.19			-									
Outdoor unit			SUZ-SHWM40VAH(-SC)																																
Heating A7/W35	Capacity	kW	3.00																																
	COP	-	4.77																																
	Power input(*)	kW	0.63																																
Heating A7/W45	Capacity	kW	3.00																																
	COP	-	3.08																																
	Power input(*)	kW	0.97																																
Heating A2/W35	Capacity	kW	4.00																																
	COP	-	3.61																																
	Power input(*)	kW	1.11																																
Cooling A35/W7	Capacity	kW	4.50										-										4.50			-									
	EER	-	3.33										-										3.33			-									
	Power input(*)	kW	1.35										-										1.35			-									
Cooling A35/W18	Capacity	kW	5.60										-										5.60			-									
	EER	-	4.70										-										4.70			-									
	Power input(*)	kW	1.19										-										1.19			-									

* The pump input value is not included.

Heating A7/W35: Heating outside air DB 7°C/WB 6°C, Water outlet temperature 35°C (ΔT=5°C)

A7/W45: Heating outside air DB 7°C/WB 6°C, Water outlet temperature 45°C (ΔT=5°C)

A2/W35: Heating outside air DB 2°C/WB 1°C, Water outlet temperature 35°C (ΔT=5°C)

Cooling A35/W7: Cooling outside air DB 35°C, Water outlet temperature 7°C (ΔT=5°C)

A35/W18: Cooling outside air DB 35°C, Water outlet temperature 18°C (ΔT=5°C)

3 Performance data

	Cylinder unit														Hydrobox																				
	ERST17D-VM2D	ERST17D-VM2BD	ERST17D-VM6D	ERST17D-VM6BD	ERST17D-VM9BD	ERST20D-VM2D	ERST20D-VM6D	ERST20D-VM9D	ERST30D-VM2ED	ERST30D-VM6ED	ERST30D-VM9ED	EHST17D-VM2D	EHST17D-VM9D	EHST20D-MED	EHST20D-VM2D	EHST20D-VM6D	EHST20D-VM9D	EHST20D-VM9ED	EHST20D-TM9D	EHST30D-MED	EHST30D-VM6ED	EHST30D-VM9ED	EHST30D-TM9ED	ERSD-MED	ERSD-VM2D	ERSD-VM6D	ERSD-VM9D	EHSD-MED	EHSD-VM2D	EHSD-VM6D	EHSD-VM9D	EHSD-VM9ED	EHSD-TM9D		
Outdoor unit		SUZ-SWM60VA2(-SC)																																	
Heating A7/W35	Capacity	kW	5.00																																
	COP	-	4.85																																
	Power input(*)	kW	1.03																																
Heating A7/W45	Capacity	kW	5.00																																
	COP	-	3.23																																
	Power input(*)	kW	1.55																																
Heating A2/W35	Capacity	kW	6.00																																
	COP	-	3.62																																
	Power input(*)	kW	1.66																																
Cooling A35/W7	Capacity	kW	5.00																				5.00												
	EER	-	3.18																				3.18												
	Power input(*)	kW	1.57																				1.57												
Cooling A35/W18	Capacity	kW	6.00																				6.00												
	EER	-	4.65																				4.65												
	Power input(*)	kW	1.29																				1.29												
Outdoor unit		SUZ-SHW60VAH(SC)																																	
Heating A7/W35	Capacity	kW	5.00																																
	COP	-	4.95																																
	Power input(*)	kW	1.01																																
Heating A7/W45	Capacity	kW	5.00																																
	COP	-	3.59																																
	Power input(*)	kW	1.39																																
Heating A2/W35	Capacity	kW	6.00																																
	COP	-	3.47																																
	Power input(*)	kW	1.73																																
Cooling A35/W7	Capacity	kW	6.00																				6.00												
	EER	-	3.28																				3.28												
	Power input(*)	kW	1.83																				1.83												
Cooling A35/W18	Capacity	kW	6.00																				6.00												
	EER	-	5.21																				5.21												
	Power input(*)	kW	1.15																				1.15												
Outdoor unit		SUZ-SWM80VA2																																	
Heating A7/W35	Capacity	kW	6.00																																
	COP	-	5.10																																
	Power input(*)	kW	1.18																																
Heating A7/W45	Capacity	kW	6.00																																
	COP	-	3.57																																
	Power input(*)	kW	1.68																																
Heating A2/W35	Capacity	kW	7.50																																
	COP	-	3.50																																
	Power input(*)	kW	2.14																																
Cooling A35/W7	Capacity	kW	6.70																				6.70												
	EER	-	3.20																				3.20												
	Power input(*)	kW	2.09																				2.09												
Cooling A35/W18	Capacity	kW	6.70																				6.70												
	EER	-	5.06																				5.06												
	Power input(*)	kW	1.32																				1.32												
Outdoor unit		SUZ-SWM80VAH2																																	
Heating A7/W35	Capacity	kW	6.00																																
	COP	-	5.10																																
	Power input(*)	kW	1.18																																
Heating A7/W45	Capacity	kW	6.00																																
	COP	-	3.57																																
	Power input(*)	kW	1.68																																
Heating A2/W35	Capacity	kW	7.50																																
	COP	-	3.31																																
	Power input(*)	kW	2.27																																
Cooling A35/W7	Capacity	kW	6.70																				6.70												
	EER	-	3.20																				3.20												
	Power input(*)	kW	2.09																				2.09												
Cooling A35/W18	Capacity	kW	6.70																				6.70												
	EER	-	5.06																				5.06												
	Power input(*)	kW	1.32																				1.32												

* The pump input value is not included.

Heating A7/W35: Heating outside air DB 7°C/WB 6°C, Water outlet temperature 35°C (ΔT=5°C)
 A7/W45: Heating outside air DB 7°C/WB 6°C, Water outlet temperature 45°C (ΔT=5°C)
 A2/W35: Heating outside air DB 2°C/WB 1°C, Water outlet temperature 35°C (ΔT=5°C)
 Cooling A35/W7: Cooling outside air DB 35°C, Water outlet temperature 7°C (ΔT=5°C)
 A35/W18: Cooling outside air DB 35°C, Water outlet temperature 18°C (ΔT=5°C)

3 Performance data

			Cylinder unit															Hydrobox																	
			ERST17D-VM2D	ERST17D-VM2BD	ERST17D-VM6D	ERST17D-VM6BD	ERST17D-VM9BD	ERST20D-VM2D	ERST20D-VM6D	ERST20D-VM9D	ERST30D-VM2ED	ERST30D-VM6ED	ERST30D-VM9ED	EHST17D-VM2D	EHST17DYM9D	EHST20D-MED	EHST20D-VM2D	EHST20D-VM6D	EHST20D-VM9D	EHST20D-VM9ED	EHST20D-TM9D	EHST30D-MED	EHST30D-VM6ED	EHST30D-VM9ED	EHST30D-TM9ED	ERSD-MED	ERSD-VM2D	ERSD-VM6D	ERSD-VM9D	EHSD-MED	EHSD-VM2D	EHSD-VM6D	EHSD-VM9D	EHSD-VM9ED	EHSD-TM9D
Outdoor unit			SUZ-SWM100VA																																
Heating A7/W35	Capacity	kW	7.50																																
	COP	-	4.85																																
	Power input(*)	kW	1.55																																
Heating A7/W45	Capacity	kW	7.50																																
	COP	-	3.44																																
	Power input(*)	kW	2.18																																
Heating A2/W35	Capacity	kW	9.00																																
	COP	-	3.12																																
	Power input(*)	kW	2.88																																
Cooling A35/W7	Capacity	kW	7.30																				7.30												
	EER	-	3.00																				3.00												
	Power input(*)	kW	2.43																				2.43												
Cooling A35/W18	Capacity	kW	8.10																				8.10												
	EER	-	4.44																				4.44												
	Power input(*)	kW	1.82																				1.82												
Outdoor unit			SUZ-SWM100VAH																																
Heating A7/W35	Capacity	kW	7.50																																
	COP	-	4.85																																
	Power input(*)	kW	1.55																																
Heating A7/W45	Capacity	kW	7.50																																
	COP	-	3.44																																
	Power input(*)	kW	2.18																																
Heating A2/W35	Capacity	kW	9.00																																
	COP	-	3.00																																
	Power input(*)	kW	3.00																																
Cooling A35/W7	Capacity	kW	7.30																				7.30												
	EER	-	3.00																				3.00												
	Power input(*)	kW	2.43																				2.43												
Cooling A35/W18	Capacity	kW	8.10																				8.10												
	EER	-	4.44																				4.44												
	Power input(*)	kW	1.82																				1.82												

* The pump input value is not included.

Heating A7W35: Heating outside air DB 7°C/WB 6°C, Water outlet temperature 35°C (ΔT=5°C)

A7W45: Heating outside air DB 7°C/WB 6°C, Water outlet temperature 45°C (ΔT=5°C)

A2W35: Heating outside air DB 2°C/WB 1°C, Water outlet temperature 35°C (ΔT=5°C)

Cooling A35/W7: Cooling outside air DB 35°C, Water outlet temperature 7°C (ΔT=5°C)

A35/W18: Cooling outside air DB 35°C, Water outlet temperature 18°C (ΔT=5°C)

3 Performance data

	Cylinder unit														Hydrobox																
	ERST20C-VM2D	ERST20C-VM6D	ERST20C-VM9D	ERST30C-VM2ED	ERST30C-VM6ED	ERST30C-VM9ED	EHST20C-MED	EHST20C-VM2D	EHST20C-VM6D	EHST20C-VM9D	EHST20C-VM9ED	EHST20C-TM9D	EHST30C-MED	EHST30C-VM6ED	EHST30C-VM9ED	EHST30C-TM9ED	ERSC-MED	ERSC-VM2D	ERSC-VM6D	ERSC-VM9D	EHSC-MED	EHSC-VM2D	EHSC-VM6D	EHSC-VM9D	EHSC-VM9ED	EHSC-TM9D					
Outdoor unit		PUHZ-SW100VAA/YAA(-BS)																													
Heating A7/W35	Capacity	kW																									11.20				
	COP	-																									4.45				
	Power input(*)	kW																									2.51				
Heating A7/W45	Capacity	kW																									11.20				
	COP	-																									3.42				
	Power input(*)	kW																									3.28				
Heating A2/W35	Capacity	kW																									10.00				
	COP	-																									3.32				
	Power input(*)	kW																									3.01				
Cooling A35/W7	Capacity	kW	9.10														-			9.10			-								
	EER	-	2.75														-			2.75			-								
	Power input(*)	kW	3.31														-			3.31			-								
Cooling A35/W18	Capacity	kW	10.00														-			10.00			-								
	EER	-	4.35														-			4.35			-								
	Power input(*)	kW	2.30														-			2.30			-								
Outdoor unit		PUHZ-SW120VHA/YHA(-BS)																													
Heating A7/W35	Capacity	kW																									16.00				
	COP	-																									4.10				
	Power input(*)	kW																									3.90				
Heating A7/W45	Capacity	kW																									16.00				
	COP	-																									3.23				
	Power input(*)	kW																									4.95				
Heating A2/W35	Capacity	kW																									12.00				
	COP	-																									3.24				
	Power input(*)	kW																									3.70				
Cooling A35/W7	Capacity	kW	12.50														-			12.50			-								
	EER	-	2.32														-			2.32			-								
	Power input(*)	kW	5.39														-			5.39			-								
Cooling A35/W18	Capacity	kW	14.00														-			14.00			-								
	EER	-	4.08														-			4.08			-								
	Power input(*)	kW	3.43														-			3.43			-								
Outdoor unit		PUHZ-FRP71VHA2																													
Heating A7/W35	Capacity	kW	-														8.00			-			8.00								
	COP	-	-														4.08			-			4.08								
	Power input(*)	kW	-														1.96			-			1.96								
Heating A7/W45	Capacity	kW	-														8.00			-			8.00								
	COP	-	-														3.22			-			3.22								
	Power input(*)	kW	-														2.48			-			2.48								
Heating A2/W35	Capacity	kW	-														7.50			-			7.50								
	COP	-	-														2.83			-			2.83								
	Power input(*)	kW	-														2.65			-			2.65								
Cooling A35/W7	Capacity	kW																									-				
	EER	-																									-				
	Power input(*)	kW																									-				
Cooling A35/W18	Capacity	kW																									-				
	EER	-																									-				
	Power input(*)	kW																									-				

* The pump input value is not included.
 Heating A7W35: Heating outside air DB 7°C/WB 6°C, Water outlet temperature 35°C (ΔT=5°C)
 A7W45: Heating outside air DB 7°C/WB 6°C, Water outlet temperature 45°C (ΔT=5°C)
 A2W35: Heating outside air DB 2°C/WB 1°C, Water outlet temperature 35°C (ΔT=5°C)
 Cooling A35/W7: Cooling outside air DB 35°C, Water outlet temperature 7°C (ΔT=5°C)
 A35/W18: Cooling outside air DB 35°C, Water outlet temperature 18°C (ΔT=5°C)

Cylinder unit/
Hydrobox/GSHP/W/TW

3 Performance data

			Cylinder unit															Hydrobox																		
			ERST17D-VM2D	ERST17D-VM2BD	ERST17D-VM6D	ERST17D-VM6BD	ERST17D-VM9BD	ERST20D-VM2D	ERST20D-VM6D	ERST20D-VM9D	ERST30D-VM2ED	ERST30D-VM6ED	ERST30D-VM9ED	EHST17D-VM2D	EHST17D-VM9D	EHST20D-MED	EHST20D-VM2D	EHST20D-VM6D	EHST20D-VM9D	EHST20D-VM9ED	EHST20D-TM9D	EHST30D-MED	EHST30D-VM6ED	EHST30D-VM9ED	EHST30D-TM9ED	ERSD-MED	ERSD-VM2D	ERSD-VM6D	ERSD-VM9D	EHSD-MED	EHSD-VM2D	EHSD-VM6D	EHSD-VM9D	EHSD-VM9ED	EHSD-TM9D	
Outdoor unit			PUD-SWM60VAA(-BS)																																	
Heating A7/W35	Capacity	kW																															5.00			
	COP	-																															4.76			
	Power input(*)	kW																															1.05			
Heating A7/W45	Capacity	kW																															5.00			
	COP	-																															3.60			
	Power input(*)	kW																															1.39			
Heating A2/W35	Capacity	kW																															6.00			
	COP	-																															3.60			
	Power input(*)	kW																															1.67			
Cooling A35/W7	Capacity	kW																															-			
	EER	-																															-			
	Power input(*)	kW																															-			
Cooling A35/W18	Capacity	kW																															-			
	EER	-																															-			
	Power input(*)	kW																															-			
Outdoor unit			PUD-SWM80VAA/YAA(-BS)																																	
Heating A7/W35	Capacity	kW																															6.00			
	COP	-																															4.76			
	Power input(*)	kW																															1.26			
Heating A7/W45	Capacity	kW																															6.00			
	COP	-																															3.65			
	Power input(*)	kW																															1.64			
Heating A2/W35	Capacity	kW																															8.00			
	COP	-																															3.55			
	Power input(*)	kW																															2.25			
Cooling A35/W7	Capacity	kW																															-			
	EER	-																															-			
	Power input(*)	kW																															-			
Cooling A35/W18	Capacity	kW																															-			
	EER	-																															-			
	Power input(*)	kW																															-			
Outdoor unit			PUD-SWM100VAA/YAA(-BS)																																	
Heating A7/W35	Capacity	kW	-	-	-	8.00	-	-	-	-	-	-	-	-	-	-	-	-	-	-	-	-	-	-	-	-	-	-	-	-	-	-	-	-	-	8.00
	COP	-	-	-	-	5.00	-	-	-	-	-	-	-	-	-	-	-	-	-	-	-	-	-	-	-	-	-	-	-	-	-	-	-	-	-	5.00
	Power input(*)	kW	-	-	-	1.60	-	-	-	-	-	-	-	-	-	-	-	-	-	-	-	-	-	-	-	-	-	-	-	-	-	-	-	-	-	1.60
Heating A7/W45	Capacity	kW	-	-	-	8.00	-	-	-	-	-	-	-	-	-	-	-	-	-	-	-	-	-	-	-	-	-	-	-	-	-	-	-	-	-	8.00
	COP	-	-	-	-	3.60	-	-	-	-	-	-	-	-	-	-	-	-	-	-	-	-	-	-	-	-	-	-	-	-	-	-	-	-	-	3.60
	Power input(*)	kW	-	-	-	2.22	-	-	-	-	-	-	-	-	-	-	-	-	-	-	-	-	-	-	-	-	-	-	-	-	-	-	-	-	-	2.22
Heating A2/W35	Capacity	kW	-	-	-	10.00	-	-	-	-	-	-	-	-	-	-	-	-	-	-	-	-	-	-	-	-	-	-	-	-	-	-	-	-	-	10.00
	COP	-	-	-	-	3.30	-	-	-	-	-	-	-	-	-	-	-	-	-	-	-	-	-	-	-	-	-	-	-	-	-	-	-	-	-	3.30
	Power input(*)	kW	-	-	-	3.03	-	-	-	-	-	-	-	-	-	-	-	-	-	-	-	-	-	-	-	-	-	-	-	-	-	-	-	-	3.03	
Cooling A35/W7	Capacity	kW																															-			
	EER	-																															-			
	Power input(*)	kW																															-			
Cooling A35/W18	Capacity	kW																															-			
	EER	-																															-			
	Power input(*)	kW																															-			
Outdoor unit			PUD-SWM120VAA/YAA(-BS)																																	
Heating A7/W35	Capacity	kW	-	-	-	10.00	-	-	-	-	-	-	-	-	-	-	-	-	-	-	-	-	-	-	-	-	-	-	-	-	-	-	-	-	10.00	
	COP	-	-	-	-	4.70	-	-	-	-	-	-	-	-	-	-	-	-	-	-	-	-	-	-	-	-	-	-	-	-	-	-	-	-	4.70	
	Power input(*)	kW	-	-	-	2.13	-	-	-	-	-	-	-	-	-	-	-	-	-	-	-	-	-	-	-	-	-	-	-	-	-	-	-	-	2.13	
Heating A7/W45	Capacity	kW	-	-	-	10.00	-	-	-	-	-	-	-	-	-	-	-	-	-	-	-	-	-	-	-	-	-	-	-	-	-	-	-	-	10.00	
	COP	-	-	-	-	3.40	-	-	-	-	-	-	-	-	-	-	-	-	-	-	-	-	-	-	-	-	-	-	-	-	-	-	-	-	3.40	
	Power input(*)	kW	-	-	-	2.94	-	-	-	-	-	-	-	-	-	-	-	-	-	-	-	-	-	-	-	-	-	-	-	-	-	-	-	-	2.94	
Heating A2/W35	Capacity	kW	-	-	-	12.00	-	-	-	-	-	-	-	-	-	-	-	-	-	-	-	-	-	-	-	-	-	-	-	-	-	-	-	-	12.00	
	COP	-	-	-	-	3.24	-	-	-	-	-	-	-	-	-	-	-	-	-	-	-	-	-	-	-	-	-	-	-	-	-	-	-	-	3.24	
	Power input(*)	kW	-	-	-	3.70	-	-	-	-	-	-	-	-	-	-	-	-	-	-	-	-	-	-	-	-	-	-	-	-	-	-	-	3.70		
Cooling A35/W7	Capacity	kW																															-			
	EER	-																															-			
	Power input(*)	kW																															-			
Cooling A35/W18	Capacity	kW																															-			
	EER	-																															-			
	Power input(*)	kW																															-			

* The pump input value is not included.

Heating A7W35: Heating outside air DB 7°C/WB 6°C, Water outlet temperature 35°C (ΔT=5°C)

A7W45: Heating outside air DB 7°C/WB 6°C, Water outlet temperature 45°C (ΔT=5°C)

A2W35: Heating outside air DB 2°C/WB 1°C, Water outlet temperature 35°C (ΔT=5°C)

Cooling A35/W7: Cooling outside air DB 35°C, Water outlet temperature 7°C (ΔT=5°C)

A35/W18: Cooling outside air DB 35°C, Water outlet temperature 18°C (ΔT=5°C)

3 Performance data

			Cylinder unit														Hydrobox																					
			ERST17D-VM2D	ERST17D-VM2BD	ERST17D-VM6D	ERST17D-VM6BD	ERST17D-VM9BD	ERST20D-VM2D	ERST20D-VM6D	ERST20D-VM9D	ERST30D-VM2ED	ERST30D-VM6ED	ERST30D-VM9ED	EHST17D-VM2D	EHST17D-VM9D	EHST20D-MED	EHST20D-VM2D	EHST20D-VM6D	EHST20D-VM9D	EHST20D-VM9ED	EHST20D-TM9D	EHST30D-MED	EHST30D-VM6ED	EHST30D-VM9ED	EHST30D-TM9ED	ERSD-MED	ERSD-VM2D	ERSD-VM6D	ERSD-VM9D	EHSD-MED	EHSD-VM2D	EHSD-VM6D	EHSD-VM9D	EHSD-VM9ED	EHSD-TM9D			
Outdoor unit			PUD-SHWM60VAA(-BS)																																			
Heating A7/W35	Capacity	kW	5.00																																			
	COP	-	4.99																																			
	Power input(*)	kW	1.00																																			
Heating A7/W45	Capacity	kW	5.00																																			
	COP	-	3.60																																			
	Power input(*)	kW	1.39																																			
Heating A2/W35	Capacity	kW	6.00																																			
	COP	-	3.80																																			
	Power input(*)	kW	1.58																																			
Cooling A35/W7	Capacity	kW	-																																			
	EER	-	-																																			
	Power input(*)	kW	-																																			
Cooling A35/W18	Capacity	kW	-																																			
	EER	-	-																																			
	Power input(*)	kW	-																																			
Outdoor unit			PUD-SHWM80VAA/YAA(-BS)																																			
Heating A7/W35	Capacity	kW	6.00																																			
	COP	-	5.03																																			
	Power input(*)	kW	1.19																																			
Heating A7/W45	Capacity	kW	6.00																																			
	COP	-	3.65																																			
	Power input(*)	kW	1.64																																			
Heating A2/W35	Capacity	kW	8.00																																			
	COP	-	3.75																																			
	Power input(*)	kW	2.13																																			
Cooling A35/W7	Capacity	kW	-																																			
	EER	-	-																																			
	Power input(*)	kW	-																																			
Cooling A35/W18	Capacity	kW	-																																			
	EER	-	-																																			
	Power input(*)	kW	-																																			
Outdoor unit			PUD-SHWM100VAA/YAA(-BS)																																			
Heating A7/W35	Capacity	kW	-	-	-	8.00	-	-	-	-	-	-	-	-	-	-	-	-	-	-	-	-	-	-	-	-	-	-	-	-	-	-	-	-	-	-	8.00	
	COP	-	-	-	-	5.00	-	-	-	-	-	-	-	-	-	-	-	-	-	-	-	-	-	-	-	-	-	-	-	-	-	-	-	-	-	-	5.00	
	Power input(*)	kW	-	-	-	1.60	-	-	-	-	-	-	-	-	-	-	-	-	-	-	-	-	-	-	-	-	-	-	-	-	-	-	-	-	-	-	-	1.60
Heating A7/W45	Capacity	kW	-	-	-	8.00	-	-	-	-	-	-	-	-	-	-	-	-	-	-	-	-	-	-	-	-	-	-	-	-	-	-	-	-	-	-	8.00	
	COP	-	-	-	-	3.65	-	-	-	-	-	-	-	-	-	-	-	-	-	-	-	-	-	-	-	-	-	-	-	-	-	-	-	-	-	-	-	3.65
	Power input(*)	kW	-	-	-	2.19	-	-	-	-	-	-	-	-	-	-	-	-	-	-	-	-	-	-	-	-	-	-	-	-	-	-	-	-	-	-	-	2.19
Heating A2/W35	Capacity	kW	-	-	-	10.00	-	-	-	-	-	-	-	-	-	-	-	-	-	-	-	-	-	-	-	-	-	-	-	-	-	-	-	-	-	-	10.00	
	COP	-	-	-	-	3.45	-	-	-	-	-	-	-	-	-	-	-	-	-	-	-	-	-	-	-	-	-	-	-	-	-	-	-	-	-	-	-	3.45
	Power input(*)	kW	-	-	-	2.90	-	-	-	-	-	-	-	-	-	-	-	-	-	-	-	-	-	-	-	-	-	-	-	-	-	-	-	-	-	-	-	2.90
Cooling A35/W7	Capacity	kW	-																																			
	EER	-	-																																			
	Power input(*)	kW	-																																			
Cooling A35/W18	Capacity	kW	-																																			
	EER	-	-																																			
	Power input(*)	kW	-																																			
Outdoor unit			PUD-SHWM120VAA/YAA(-BS)																																			
Heating A7/W35	Capacity	kW	-	-	-	10.00	-	-	-	-	-	-	-	-	-	-	-	-	-	-	-	-	-	-	-	-	-	-	-	-	-	-	-	-	-	-	10.00	
	COP	-	-	-	-	4.80	-	-	-	-	-	-	-	-	-	-	-	-	-	-	-	-	-	-	-	-	-	-	-	-	-	-	-	-	-	-	-	4.80
	Power input(*)	kW	-	-	-	2.08	-	-	-	-	-	-	-	-	-	-	-	-	-	-	-	-	-	-	-	-	-	-	-	-	-	-	-	-	-	-	-	2.08
Heating A7/W45	Capacity	kW	-	-	-	10.00	-	-	-	-	-	-	-	-	-	-	-	-	-	-	-	-	-	-	-	-	-	-	-	-	-	-	-	-	-	-	10.00	
	COP	-	-	-	-	3.40	-	-	-	-	-	-	-	-	-	-	-	-	-	-	-	-	-	-	-	-	-	-	-	-	-	-	-	-	-	-	-	3.40
	Power input(*)	kW	-	-	-	2.94	-	-	-	-	-	-	-	-	-	-	-	-	-	-	-	-	-	-	-	-	-	-	-	-	-	-	-	-	-	-	-	2.94
Heating A2/W35	Capacity	kW	-	-	-	12.00	-	-	-	-	-	-	-	-	-	-	-	-	-	-	-	-	-	-	-	-	-	-	-	-	-	-	-	-	-	-	12.00	
	COP	-	-	-	-	3.30	-	-	-	-	-	-	-	-	-	-	-	-	-	-	-	-	-	-	-	-	-	-	-	-	-	-	-	-	-	-	-	3.30
	Power input(*)	kW	-	-	-	3.64	-	-	-	-	-	-	-	-	-	-	-	-	-	-	-	-	-	-	-	-	-	-	-	-	-	-	-	-	-	-	3.64	
Cooling A35/W7	Capacity	kW	-																																			
	EER	-	-																																			
	Power input(*)	kW	-																																			
Cooling A35/W18	Capacity	kW	-																																			
	EER	-	-																																			
	Power input(*)	kW	-																																			

* The pump input value is not included.

Heating A7/W35: Heating outside air DB 7°C/WB 6°C, Water outlet temperature 35°C (ΔT=5°C)

A7/W45: Heating outside air DB 7°C/WB 6°C, Water outlet temperature 45°C (ΔT=5°C)

A2/W35: Heating outside air DB 2°C/WB 1°C, Water outlet temperature 35°C (ΔT=5°C)

Cooling A35/W7: Cooling outside air DB 35°C, Water outlet temperature 7°C (ΔT=5°C)

A35/W18: Cooling outside air DB 35°C, Water outlet temperature 18°C (ΔT=5°C)

3 Performance data

 Cylinder unit
Hydrobox/GSHP/WTW

			Cylinder unit															Hydrobox																		
			ERST17D-VM2D	ERST17D-VM2BD	ERST17D-VM6D	ERST17D-VM6BD	ERST17D-VM9BD	ERST20D-VM2D	ERST20D-VM6D	ERST20D-VM9D	ERST30D-VM2ED	ERST30D-VM6ED	ERST30D-VM9ED	EHST17D-VM2D	EHST17D-VM9D	EHST20D-MED	EHST20D-VM2D	EHST20D-VM6D	EHST20D-VM9D	EHST20D-VM9ED	EHST20D-TM9D	EHST30D-MED	EHST30D-VM6ED	EHST30D-VM9ED	EHST30D-TM9ED	ERSD-MED	ERSD-VM2D	ERSD-VM6D	ERSD-VM9D	EHSD-MED	EHSD-VM2D	EHSD-VM6D	EHSD-VM9D	EHSD-VM9ED	EHSD-TM9D	
Outdoor unit			PUD-SHWM140VAA/YAA(-BS)																																	
Heating A7/W35	Capacity	kW																12.00																		
	COP	-																4.70																		
	Power input(*)	kW																2.55																		
Heating A7/W45	Capacity	kW																12.00																		
	COP	-																3.20																		
	Power input(*)	kW																3.75																		
Heating A2/W35	Capacity	kW																14.00																		
	COP	-																3.05																		
	Power input(*)	kW																4.59																		
Cooling A35/W7	Capacity	kW																																		
	EER	-																																		
	Power input(*)	kW																																		
Cooling A35/W18	Capacity	kW																																		
	EER	-																																		
	Power input(*)	kW																																		
Outdoor unit			PXZ-4F75VG																																	
Heating A7/W35	Capacity	kW	7.50	-	7.50	-			7.50	-			7.50	-			7.50	-			7.50	-			7.50	-			7.50	-			7.50	-		
	COP	-	4.17	-	4.17	-			4.17	-			4.17	-			4.17	-			4.17	-			4.17	-			4.17	-			4.17	-		
	Power input(*)	kW	1.80	-	1.80	-			1.80	-			1.80	-			1.80	-			1.80	-			1.80	-			1.80	-			1.80	-		
Heating A7/W45	Capacity	kW	7.50	-	7.50	-			7.50	-			7.50	-			7.50	-			7.50	-			7.50	-			7.50	-			7.50	-		
	COP	-	3.32	-	3.32	-			3.32	-			3.32	-			3.32	-			3.32	-			3.32	-			3.32	-			3.32	-		
	Power input(*)	kW	2.26	-	2.26	-			2.26	-			2.26	-			2.26	-			2.26	-			2.26	-			2.26	-			2.26	-		
Heating A2/W35	Capacity	kW	6.80	-	6.80	-			6.80	-			6.80	-			6.80	-			6.80	-			6.80	-			6.80	-			6.80	-		
	COP	-	2.80	-	2.80	-			2.80	-			2.80	-			2.80	-			2.80	-			2.80	-			2.80	-			2.80	-		
	Power input(*)	kW	2.43	-	2.43	-			2.43	-			2.43	-			2.43	-			2.43	-			2.43	-			2.43	-			2.43	-		
Cooling A35/W7	Capacity	kW																																		
	EER	-																																		
	Power input(*)	kW																																		
Cooling A35/W18	Capacity	kW																																		
	EER	-																																		
	Power input(*)	kW																																		
Outdoor unit			PXZ-5F85VG																																	
Heating A7/W35	Capacity	kW	8.50	-	8.50	-			8.50	-			8.50	-			8.50	-			8.50	-			8.50	-			8.50	-			8.50	-		
	COP	-	4.34	-	4.34	-			4.34	-			4.34	-			4.34	-			4.34	-			4.34	-			4.34	-			4.34	-		
	Power input(*)	kW	1.96	-	1.96	-			1.96	-			1.96	-			1.96	-			1.96	-			1.96	-			1.96	-			1.96	-		
Heating A7/W45	Capacity	kW	8.50	-	8.50	-			8.50	-			8.50	-			8.50	-			8.50	-			8.50	-			8.50	-			8.50	-		
	COP	-	3.48	-	3.48	-			3.48	-			3.48	-			3.48	-			3.48	-			3.48	-			3.48	-			3.48	-		
	Power input(*)	kW	2.45	-	2.45	-			2.45	-			2.45	-			2.45	-			2.45	-			2.45	-			2.45	-			2.45	-		
Heating A2/W35	Capacity	kW	7.80	-	7.80	-			7.80	-			7.80	-			7.80	-			7.80	-			7.80	-			7.80	-			7.80	-		
	COP	-	3.00	-	3.00	-			3.00	-			3.00	-			3.00	-			3.00	-			3.00	-			3.00	-			3.00	-		
	Power input(*)	kW	2.60	-	2.60	-			2.60	-			2.60	-			2.60	-			2.60	-			2.60	-			2.60	-			2.60	-		
Cooling A35/W7	Capacity	kW																																		
	EER	-																																		
	Power input(*)	kW																																		
Cooling A35/W18	Capacity	kW																																		
	EER	-																																		
	Power input(*)	kW																																		

* The pump input value is not included.

Heating A7/W35: Heating outside air DB 7°C/WB 6°C, Water outlet temperature 35°C (ΔT=5°C)

A7/W45: Heating outside air DB 7°C/WB 6°C, Water outlet temperature 45°C (ΔT=5°C)

A2/W35: Heating outside air DB 2°C/WB 1°C, Water outlet temperature 35°C (ΔT=5°C)

Cooling A35/W7: Cooling outside air DB 35°C, Water outlet temperature 7°C (ΔT=5°C)

A35/W18: Cooling outside air DB 35°C, Water outlet temperature 18°C (ΔT=5°C)

3 Performance data

	Cylinder unit														Hydrobox														
	ERST20C-VM2D	ERST20C-VM6D	ERST20C-VM9D	ERST30C-VM2ED	ERST30C-VM6ED	ERST30C-VM9ED	EHST20C-MED	EHST20C-VM2D	EHST20C-VM6D	EHST20C-VM9D	EHST20C-VM9ED	EHST20C-TM9D	EHST30C-MED	EHST30C-VM6ED	EHST30C-VM9ED	EHST30C-TM9ED	ERSC-MED	ERSC-VM2D	ERSC-VM6D	ERSC-VM9D	EHSC-MED	EHSC-VM2D	EHSC-VM6D	EHSC-VM9D	EHSC-VM9ED	EHSC-TM9D			
Outdoor unit		PUHZ-SHW80VAA/YAA(-BS)																											
Heating A7/W35	Capacity	kW																								8.00			
	COP	-																								4.65			
	Power input(*)	kW																								1.72			
Heating A7/W45	Capacity	kW																								8.00			
	COP	-																								3.42			
	Power input(*)	kW																								2.34			
Heating A2/W35	Capacity	kW																								8.00			
	COP	-																								3.55			
	Power input(*)	kW																								2.25			
Cooling A35/W7	Capacity	kW	7.10																					-		7.10			
	EER	-	3.31																					-		3.31			
	Power input(*)	kW	2.15																					-		2.15			
Cooling A35/W18	Capacity	kW	7.10																					-		7.10			
	EER	-	4.52																					-		4.52			
	Power input(*)	kW	1.57																					-		1.57			
Outdoor unit		PUHZ-SHW112VAA/YAA(-BS)																											
Heating A7/W35	Capacity	kW																								11.20			
	COP	-																								4.46			
	Power input(*)	kW																								2.51			
Heating A7/W45	Capacity	kW																								11.20			
	COP	-																								3.42			
	Power input(*)	kW																								3.27			
Heating A2/W35	Capacity	kW																								11.20			
	COP	-																								3.22			
	Power input(*)	kW																								3.48			
Cooling A35/W7	Capacity	kW	10.00																					-		10.00			
	EER	-	2.83																					-		2.83			
	Power input(*)	kW	3.53																					-		3.53			
Cooling A35/W18	Capacity	kW	10.00																					-		10.00			
	EER	-	4.74																					-		4.74			
	Power input(*)	kW	2.11																					-		2.11			
Outdoor unit		PUHZ-SHW140YHA(-BS)																											
Heating A7/W35	Capacity	kW																								14.00			
	COP	-																								4.22			
	Power input(*)	kW																								3.32			
Heating A7/W45	Capacity	kW																								14.00			
	COP	-																								3.28			
	Power input(*)	kW																								4.27			
Heating A2/W35	Capacity	kW																								14.00			
	COP	-																								2.96			
	Power input(*)	kW																								4.73			
Cooling A35/W7	Capacity	kW	12.50																					-		12.50			
	EER	-	2.17																					-		2.17			
	Power input(*)	kW	5.76																					-		5.76			
Cooling A35/W18	Capacity	kW	12.50																					-		12.50			
	EER	-	4.26																					-		4.26			
	Power input(*)	kW	2.93																					-		2.93			

* The pump input value is not included.

Heating A7W35: Heating outside air DB 7°C/WB 6°C, Water outlet temperature 35°C (ΔT=5°C)

A7W45: Heating outside air DB 7°C/WB 6°C, Water outlet temperature 45°C (ΔT=5°C)

A2W35: Heating outside air DB 2°C/WB 1°C, Water outlet temperature 35°C (ΔT=5°C)

Cooling A35/W7: Cooling outside air DB 35°C, Water outlet temperature 7°C (ΔT=5°C)

A35/W18: Cooling outside air DB 35°C, Water outlet temperature 18°C (ΔT=5°C)

3 Performance data

Cylinder unit
Hydrobox/GSHP/WTW

			Hydrobox			
			ERSE-YM9ED	ERSE-MED	EHSE-YM9ED	EHSE-MED
Outdoor unit			PUHZ-SW160YKA(-BS)			
Heating A7/W35	Capacity	kW	22.00			
	COP	-	4.20			
	Power input(*)	kW	5.24			
Heating A7/W45	Capacity	kW	22.00			
	COP	-	3.20			
	Power input(*)	kW	6.88			
Heating A2/W35	Capacity	kW	16.00			
	COP	-	3.11			
	Power input(*)	kW	5.14			
Cooling A35/W7	Capacity	kW	16.00	-	-	
	EER	-	2.76	-	-	
	Power input(*)	kW	5.80	-	-	
Cooling A35/W18	Capacity	kW	18.00	-	-	
	EER	-	4.56	-	-	
	Power input(*)	kW	3.95	-	-	
Outdoor unit			PUHZ-SW200YKA(-BS)			
Heating A7/W35	Capacity	kW	25.00			
	COP	-	4.00			
	Power input(*)	kW	6.25			
Heating A7/W45	Capacity	kW	25.00			
	COP	-	3.10			
	Power input(*)	kW	8.06			
Heating A2/W35	Capacity	kW	20.00			
	COP	-	2.80			
	Power input(*)	kW	7.14			
Cooling A35/W7	Capacity	kW	20.00	-	-	
	EER	-	2.25	-	-	
	Power input(*)	kW	8.89	-	-	
Cooling A35/W18	Capacity	kW	22.00	-	-	
	EER	-	4.10	-	-	
	Power input(*)	kW	5.37	-	-	
Outdoor unit			PUHZ-SHW230YKA2			
Heating A7/W35	Capacity	kW	23.00			
	COP	-	3.65			
	Power input(*)	kW	6.31			
Heating A7/W45	Capacity	kW	23.00			
	COP	-	3.02			
	Power input(*)	kW	7.62			
Heating A2/W35	Capacity	kW	23.00			
	COP	-	2.37			
	Power input(*)	kW	9.71			
Cooling A35/W7	Capacity	kW	20.00	-	-	
	EER	-	2.22	-	-	
	Power input(*)	kW	9.01	-	-	
Cooling A35/W18	Capacity	kW	20.00	-	-	
	EER	-	3.55	-	-	
	Power input(*)	kW	5.63	-	-	

			Cylinder unit					Hydrobox				
			EHST20C-VM2D	EHST20C-VM6D	EHST20C-VM9D	EHST20C-YM9ED	EHST20C-TM9D	EHSC-VM2D	EHSC-VM6D	EHSC-VM9D	EHSC-YM9ED	EHSC-TM9D
Outdoor unit			PUMY-P112VKM5/YKM(E)4(-BS)									
Heating A7/W35	Capacity	kW	12.50									
	COP	-	4.08									
	Power input(*)	kW	3.06									
Heating A7/W45	Capacity	kW	12.50									
	COP	-	3.06									
	Power input(*)	kW	4.08									
Heating A2/W35	Capacity	kW	10.00									
	COP	-	2.86									
	Power input(*)	kW	3.50									
Outdoor unit			PUMY-P125VKM5/YKM(E)4(-BS)									
Heating A7/W35	Capacity	kW	12.50									
	COP	-	4.08									
	Power input(*)	kW	3.06									
Heating A7/W45	Capacity	kW	12.50									
	COP	-	3.06									
	Power input(*)	kW	4.08									
Heating A2/W35	Capacity	kW	10.00									
	COP	-	2.86									
	Power input(*)	kW	3.50									
Outdoor unit			PUMY-P140VKM5/YKM(E)4(-BS)									
Heating A7/W35	Capacity	kW	12.50									
	COP	-	4.08									
	Power input(*)	kW	3.06									
Heating A7/W45	Capacity	kW	12.50									
	COP	-	3.06									
	Power input(*)	kW	4.08									
Heating A2/W35	Capacity	kW	10.00									
	COP	-	2.86									
	Power input(*)	kW	3.50									

* The pump input value is not included.
 Heating A7W35: Heating outside air DB 7°C/WB 6°C, Water outlet temperature 35°C (ΔT=5°C)
 A7W45: Heating outside air DB 7°C/WB 6°C, Water outlet temperature 45°C (ΔT=5°C)
 A2W35: Heating outside air DB 2°C/WB 1°C, Water outlet temperature 35°C (ΔT=5°C)
 Cooling A35/W7: Cooling outside air DB 35°C, Water outlet temperature 7°C (ΔT=5°C)
 A35/W18: Cooling outside air DB 35°C, Water outlet temperature 18°C (ΔT=5°C)

* The pump input value is not included.
 Heating A7W35: Heating outside air DB 7°C/WB 6°C, Water outlet temperature 35°C (ΔT=5°C)
 A7W45: Heating outside air DB 7°C/WB 6°C, Water outlet temperature 45°C (ΔT=5°C)
 A2W35: Heating outside air DB 2°C/WB 1°C, Water outlet temperature 35°C (ΔT=5°C)
 Cooling A35/W7: Cooling outside air DB 35°C, Water outlet temperature 7°C (ΔT=5°C)
 A35/W18: Cooling outside air DB 35°C, Water outlet temperature 18°C (ΔT=5°C)

3 Performance data

3.2 Heat time data (DHW mode)

Heat time (min)	170L			200L			300L		
	Ambient temperature [°C]			Ambient temperature [°C]			Ambient temperature [°C]		
	2	7	14	2	7	14	2	7	14
PUZ-WM50VHA(-BS)	111	102	102	130	120	120	-	-	-
PUZ-WM60VAA(-BS)	94	85	81	110	100	95	-	-	-
PUZ-WM85V/YAA(-BS)	68	64	60	80	75	70	120	113	105
PUZ-WM112V/YAA(-BS)	-	-	-	65	60	55	98	90	83
PUZ-HWM140V/YHA(-BS)	-	-	-	56	56	51	84	84	76
SUZ-SWM40VA	111	102	102	130	120	120	226	182	151
SUZ-SWM60VA	102	94	85	120	110	100	175	152	143
SUZ-SWM80VA	94	81	77	110	95	90	165	143	135
SUZ-SWM30VA	98	87	84	115	102	99	173	153	149
SUZ-SHWM30VAH	98	87	84	115	102	99	173	153	149
SUZ-SWM40VA2(-SC)	98	87	84	115	102	99	173	153	149
SUZ-SHWM40VAH(-SC)	112	95	76	132	112	89	198	168	134
SUZ-SWM60VA2(-SC)	112	95	76	132	112	89	198	168	134
SUZ-SHWM60VAH(-SC)	76	61	60	89	72	71	134	108	107
SUZ-SWM80VA2	76	61	60	89	72	71	134	108	107
SUZ-SWM80VAH2	76	61	60	89	72	71	134	108	107
SUZ-SWM100VA	76	61	60	89	72	71	134	108	107
SUZ-SWM100VAH	76	61	60	89	72	71	134	108	107
PUHZ-SW75V/YAA(-BS)	98	85	81	115	100	95	173	150	143
PUHZ-SW100V/YAA(-BS)	85	77	68	100	90	80	150	135	120
PUHZ-SW120V/YHA(-BS)	-	-	-	85	75	70	128	113	105
PUHZ-SHW80VAA(-BS)	-	-	-	80	70	65	120	105	98
PUHZ-SHW112V/YAA(-BS)	-	-	-	60	60	55	90	90	83
PUHZ-SHW140YHA(-BS)	-	-	-	50	50	45	75	75	68
PUD-S(H)WM60VAA(-BS)	81	72	68	95	85	80	143	128	120
PUD-S(H)WM80V/YAA(-BS)	68	60	55	80	70	65	120	105	98
PUD-S(H)WM100V/YAA(-BS)	-	-	-	70	65	60	105	98	90
PUD-S(H)WM120V/YAA(-BS)	-	-	-	60	55	51	90	83	76
PUD-SHWM140V/YAA(-BS)	-	-	-	53	50	45	80	75	68
PXZ-4F75VG	108	79	72	127	93	85	191	140	127
PXZ-5F85VG	98	77	70	115	90	82	173	135	124
PUHZ-FRP71VHA2	-	-	-	122	100	95	-	-	-
PUMY-P112/125/140VKM5/YKM(E)4(-BS)	-	-	-	115	110	95	-	-	-

 Cylinder unit/
Hydrobox/GSHP/WTW

Heat time (min)	170L	
	Brine inlet temp. [°C]	
	0	
EHGT17D-YM9ED	75	

Heat time (min)	170L	
	Water inlet temp. [°C]	
	10	
EHWT17D-MHEDW	105	

<Note>

- Mitsubishi's domestic hot water tank
- Time to raise DHW tank temperature 15-55[°C]
- Reheat time is half of this heat time

3 Performance data

3.3 Ground source heat pump (GSHP)

■ EHGT17D-YM9ED

Water Flow rate 14.3L/min
Brine flow rate 21.6L/min

Capacity	Brine inlet temp. °C	COP								
		Outlet water temp.								
		20	25	30	35	40	45	50	55	60
200% (10kW)	-7	-	-	-	-	-	-	-	-	-
	-5	-	-	-	-	-	-	-	-	-
	-2	6.10	5.56	4.77	4.27	3.85	3.36	-	-	-
	0	6.70	5.91	5.04	4.48	4.02	3.49	2.76	2.55	2.36
	2	7.07	6.30	5.34	4.71	4.21	3.64	2.87	2.64	2.44
	5	7.56	6.99	5.86	5.10	4.52	3.87	3.05	2.79	2.57
	10	8.48	8.04	6.94	5.92	5.14	4.33	3.40	3.08	2.81
	15	9.19	8.42	7.56	6.82	5.91	4.88	3.82	3.43	3.10
	20	9.89	9.03	8.44	7.98	6.90	5.51	4.35	3.85	3.44
25	-	-	9.05	8.76	7.94	6.21	5.03	4.38	3.86	
150% (7.5kW)	-7	-	-	-	-	-	-	-	-	-
	-5	5.94	5.25	4.51	4.03	-	-	-	-	-
	-2	6.39	5.75	4.89	4.33	3.89	3.38	2.65	2.44	2.25
	0	6.90	6.14	5.18	4.56	4.07	3.52	2.76	2.53	2.33
	2	7.49	6.58	5.50	4.81	4.27	3.67	2.87	2.62	2.41
	5	7.62	7.35	6.06	5.24	4.60	3.92	3.05	2.77	2.54
	10	9.07	8.61	7.27	6.11	5.26	4.41	3.41	3.07	2.78
	15	9.68	9.24	9.00	7.13	6.11	4.99	3.85	3.42	3.07
	20	10.2	9.99	9.47	8.48	7.22	5.69	4.41	3.86	3.43
25	-	-	10.3	9.54	8.12	6.43	5.13	4.42	3.86	
100% (5.0kW)	-7	-	-	-	-	-	-	-	-	-
	-5	6.31	5.41	4.60	4.08	3.67	3.19	2.47	2.26	2.08
	-2	7.07	5.96	5.00	4.40	3.92	3.46	2.61	2.39	2.19
	0	7.68	6.38	5.31	4.78	4.11	3.69	2.72	2.47	2.26
	2	8.40	6.87	5.66	4.98	4.32	3.77	2.83	2.57	2.34
	5	9.73	7.75	6.27	5.36	4.67	3.95	3.02	2.72	2.47
	10	10.4	8.76	7.62	6.32	5.39	4.47	3.39	3.02	2.71
	15	10.8	10.3	9.12	7.65	6.33	5.11	3.84	3.39	3.01
	20	-	-	-	-	-	-	-	-	-
25	-	-	-	-	-	-	-	-	-	
50% (2.5kW)	-7	6.17	5.26	4.46	3.94	3.52	3.04	2.29	2.08	1.89
	-5	6.65	5.61	4.71	4.14	3.68	3.16	2.38	2.15	1.95
	-2	7.52	6.22	5.15	4.48	3.95	3.37	2.53	2.27	2.05
	0	8.22	6.70	5.49	4.81	4.15	3.71	2.63	2.36	2.12
	2	-	-	-	-	-	3.80	2.75	2.45	2.20
	5	-	-	-	-	-	-	2.94	2.60	2.32
	10	-	-	-	-	-	-	-	-	-
	15	-	-	-	-	-	-	-	-	-
	20	-	-	-	-	-	-	-	-	-
25	-	-	-	-	-	-	-	-	-	

With 38% propylene glycol. The pump input value is not included.

Cylinder unit
Hydrobox/GSHP/WTW

3 Performance data

3.4 Water to Water Heat Pump (WTW)

■ EHWT17D-MHEDW

Flow rate

Ambient loop: 19.2 L/min Heating: 12.4 L/min

W10W35

Capacity		COP
%	kW	
100%	6.5	5.7
75%	4.8	5.9
50%	3.2	5.7
25%	1.6	4.2

W10W45

Capacity		COP
%	kW	
100%	6.3	4.3
75%	4.7	4.4
50%	3.1	4.1
25%	1.5	2.8

W10W55

Capacity		COP
%	kW	
100%	5.9	3.0
75%	4.4	3.1
50%	2.9	2.6
25%	1.4	1.6

Ambient loop: 14.4 L/min Heating: 12.4 L/min

W15W35

Capacity		COP
%	kW	
100%	7.4	6.4
75%	5.5	7.2
50%	3.7	6.6
25%	1.8	4.7

W15W45

Capacity		COP
%	kW	
100%	7.1	4.8
75%	5.3	5.2
50%	3.5	4.5
25%	1.7	3.1

W15W55

Capacity		COP
%	kW	
100%	6.7	3.5
75%	5.0	3.5
50%	3.3	2.9
25%	1.6	1.8

Ambient loop: 9.6 L/min Heating: 12.4 L/min

W20W35

Capacity		COP
%	kW	
100%	7.5	6.8
75%	5.6	7.6
50%	3.7	7.2
25%	1.8	6.0

W20W45

Capacity		COP
%	kW	
100%	7.3	5.2
75%	5.4	5.4
50%	3.6	4.8
25%	1.8	3.4

W20W55

Capacity		COP
%	kW	
100%	7.0	3.8
75%	5.2	3.7
50%	3.5	3.2
25%	1.7	2.2

Ambient loop: 9.6 L/min Heating: 12.4 L/min

W25W35

Capacity		COP
%	kW	
100%	8.3	8.4
75%	6.2	9.3
50%	4.1	9.2
25%	2.0	9.1

W25W45

Capacity		COP
%	kW	
100%	8.1	5.9
75%	6.0	6.9
50%	4.0	6.3
25%	2.0	4.2

W25W55

Capacity		COP
%	kW	
100%	7.8	4.3
75%	5.8	5.1
50%	3.9	4.6
25%	1.9	2.9

COP contains the "pump input (Based on EN 14511)"

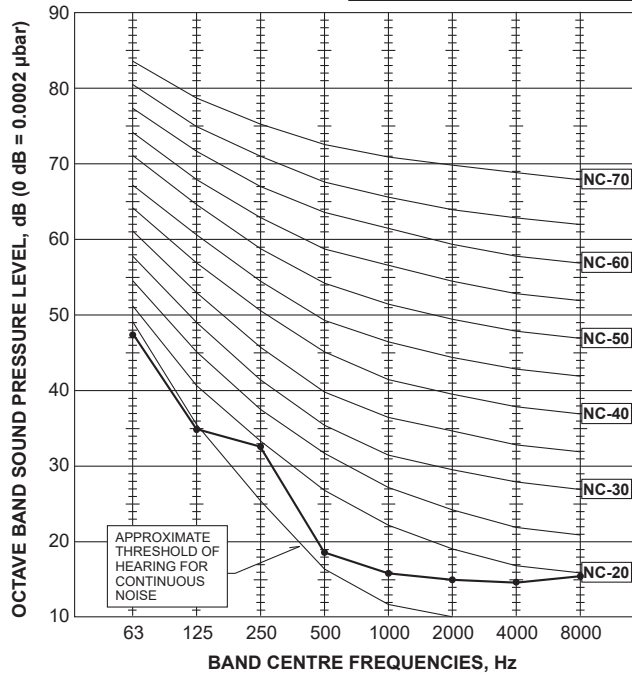
100%: MAX Capacity

3 Performance data

3.5 Noise criterion curves

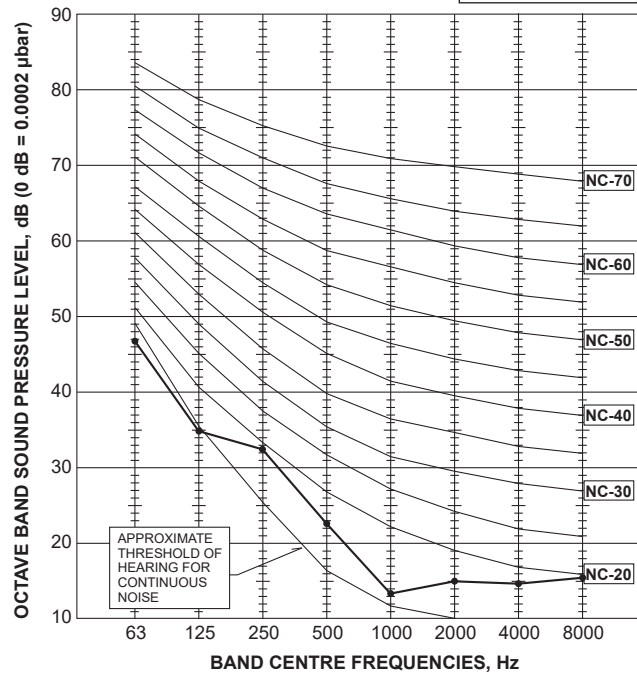
■ Cylinder unit

Pump speed (primary circuit): 5
 Pump speed (sanitary circuit): 2
 Flow rate: 20L/min
 SPL: 29dB



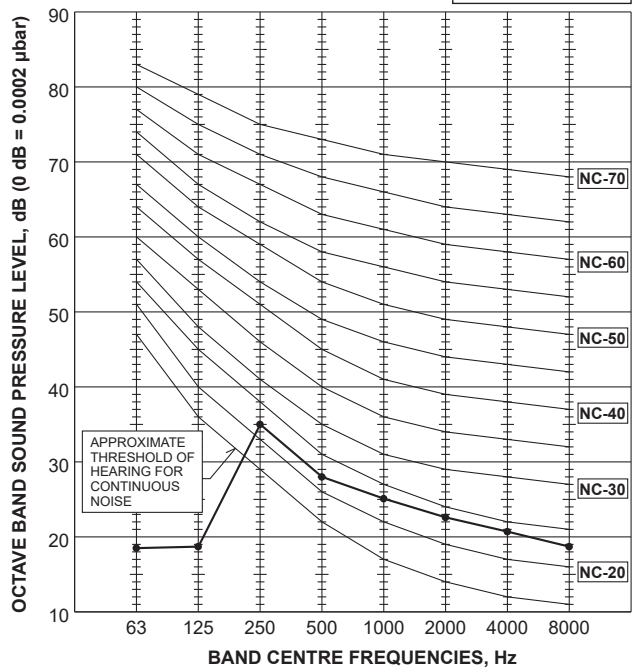
■ Hydrobox

Pump speed: 5
 Flow rate: 20L/min
 SPL: 29dB



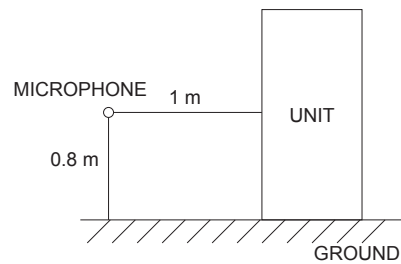
■ Ground source heat pump (GSHP)

Pump speed: 5
 Flow rate: 20L/min
 SPL: 30dB

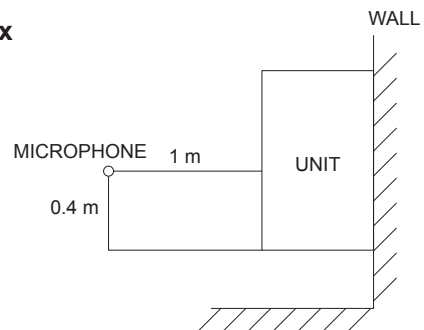


■ Cylinder unit

Ground source heat pump (GSHP)
 Water to Water heat pump (WTW)

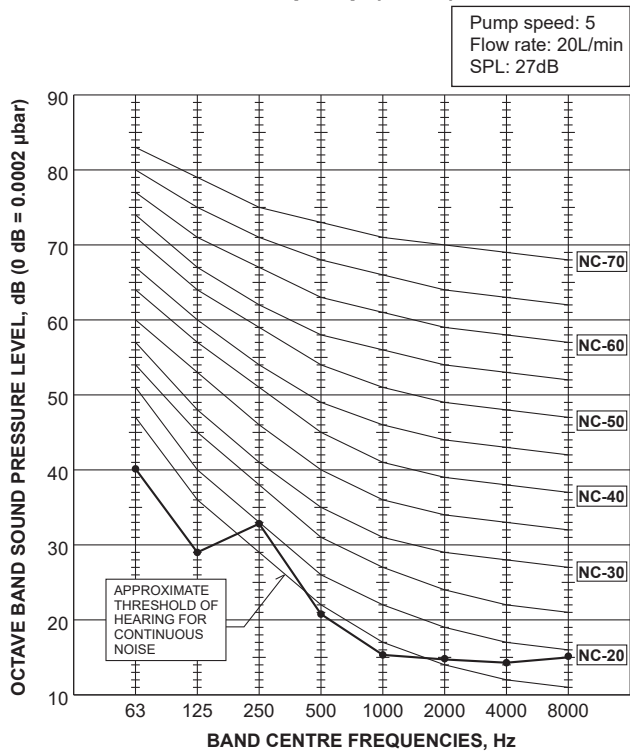


■ Hydrobox



3 Performance data

Water to Water heat pump (WTW)



4 Cylinder unit

4.1 Outlines and dimensions

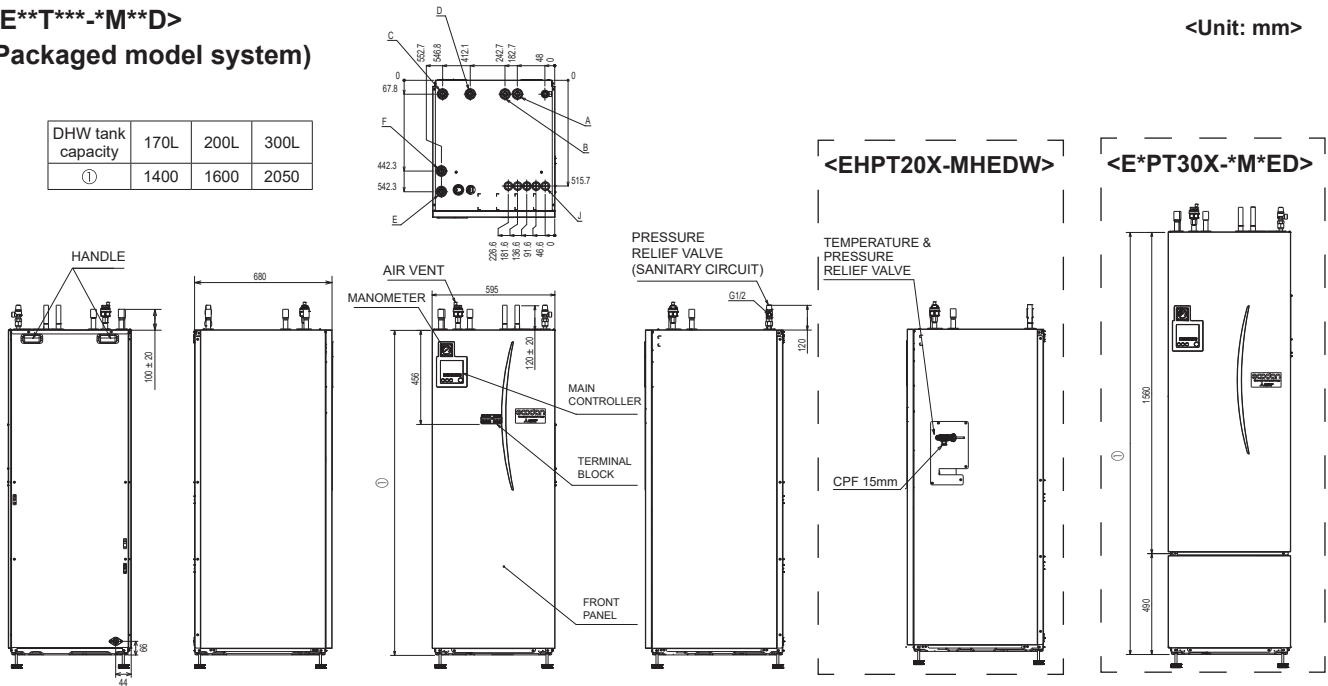
■ Technical Drawings

<E**T***-M**D>

(Packaged model system)

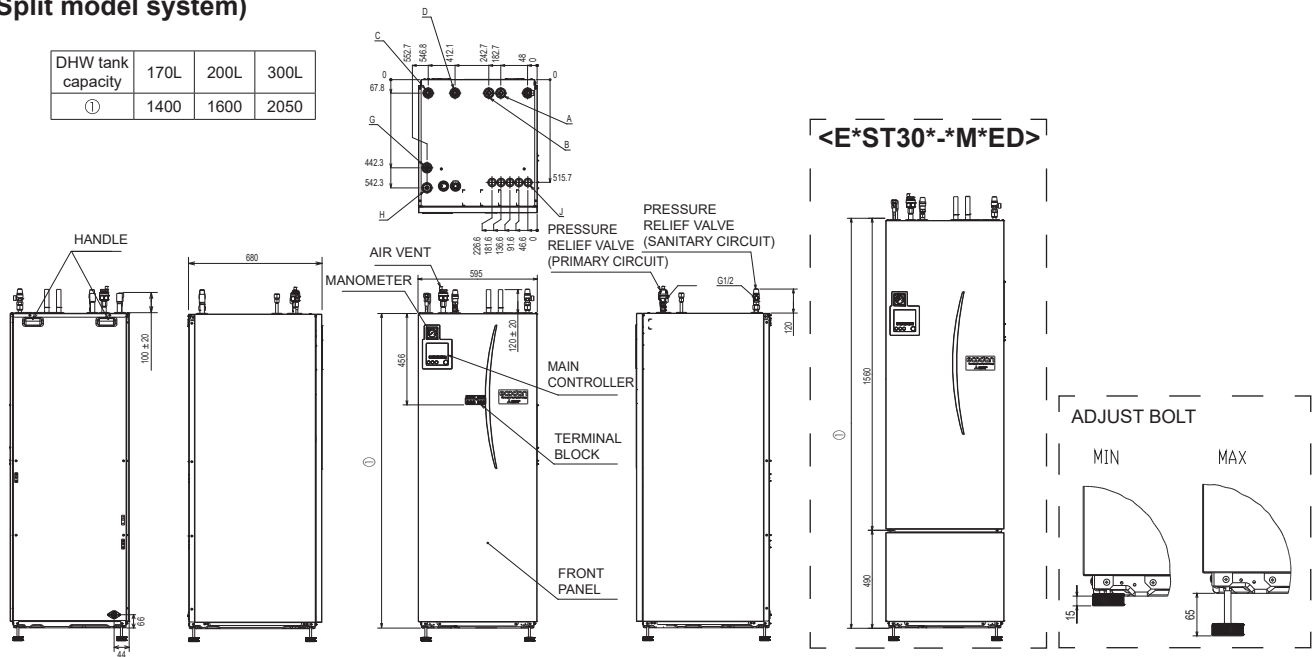
<Unit: mm>

DHW tank capacity	170L	200L	300L
①	1400	1600	2050



(Split model system)

DHW tank capacity	170L	200L	300L
①	1400	1600	2050

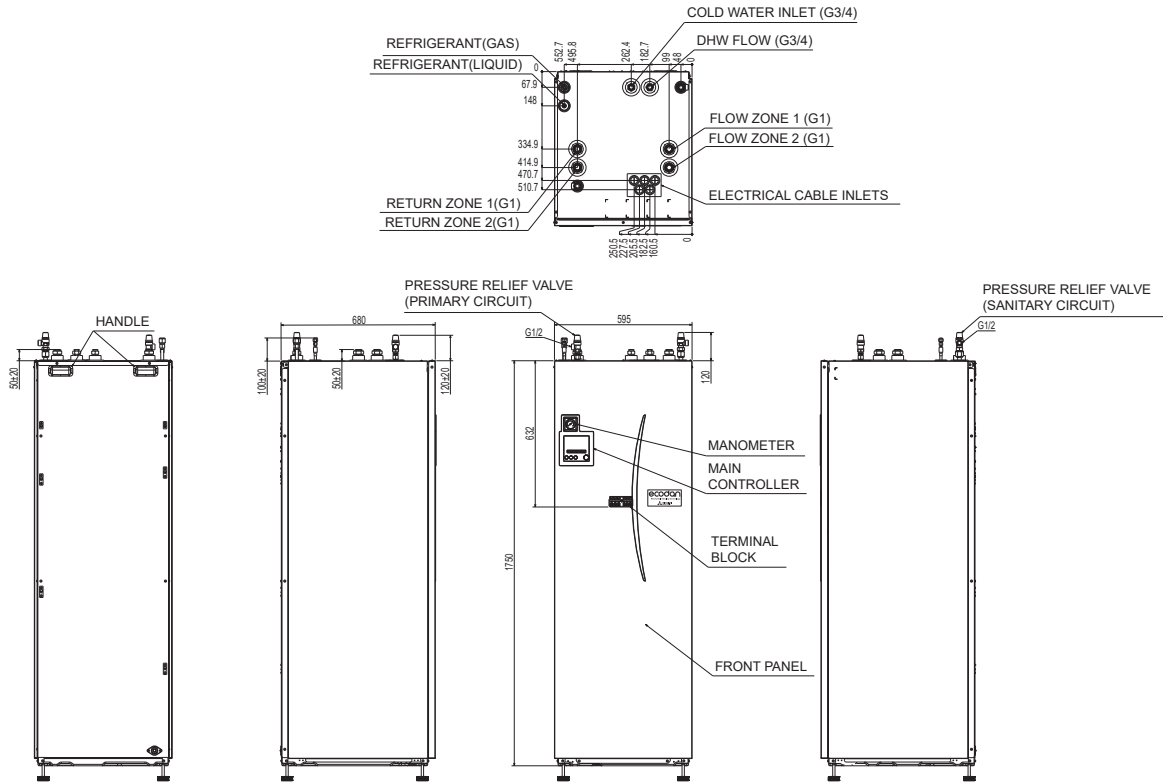


Letter	Pipe description	Connection size/type	
A	DHW outlet connection	22 mm/Compression	
B	Cold water inlet connection	22 mm/Compression	
C	Space heating/cooling RETURN connection	28 mm/Compression	
D	Space heating/cooling FLOW connection	28 mm/Compression	
E	Flow connection FROM heat pump (No plate heat exchanger)	28 mm/Compression	
F	Return connection TO heat pump (No plate heat exchanger)	28 mm/Compression	
G	Refrigerant (GAS) (With plate heat exchanger)	12.7 mm/Flare (E*ST**D-*) 15.88 mm/Flare (E*ST**C-*)	Warning • Refrigerant pipes connection shall be accessible for maintenance purposes. • In case of reconnecting the refrigerant pipes after detaching, make the flared part of pipe re-fabricated.
H	Refrigerant (LIQUID) (With plate heat exchanger)	6.35 mm/Flare (E*ST**D-*) 9.52 mm/Flare (E*ST**C-*)	
J	Electrical cable inlets ① ② ③ ④ ⑤	For inlets ①, ② and ③, run low-voltage wires including external input wires and thermistor wires. For inlets ④ and ⑤, run high-voltage wires including power cable, indoor-outdoor cable, and external output wires. *For a wireless receiver (option) cable and ecodan Wi-Fi interface (option) cable, use inlet ①.	

<Table 4.1.1>

4 Cylinder unit

(Split model 2 zone system)



Electrical cable inlets

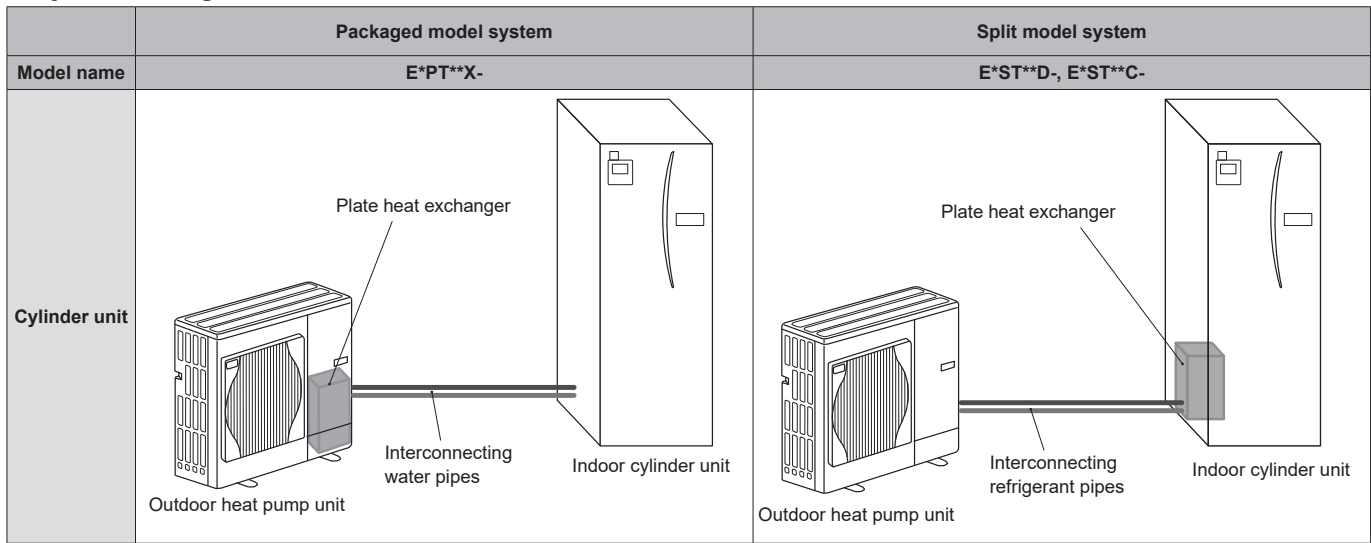


For inlets ①, ② and ③, run low-voltage wires including external input wires and thermistor wires. For inlets ④ and ⑤, run high-voltage wires including power cable, indoor-outdoor cable, and external output wires.

*For a wireless receiver (option) cable and ecodan Wi-Fi interface (option) cable, use inlet ①.

4 Cylinder unit

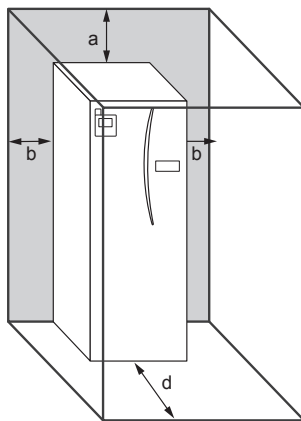
System configuration



Service access diagrams

Service access	
Parameter	Dimension (mm)
a	300*
b	150
c (distance behind unit not visible in <Figure 4.1.1>)	10
d	500

Sufficient space MUST be left for the provision of discharge pipework as detailed in National and Local Building Regulations.



* An additional 300 mm of space (total 600 mm) is required, when installing the optional 2-zone kit (PAC-TZ02-E) on top of the cylinder unit.

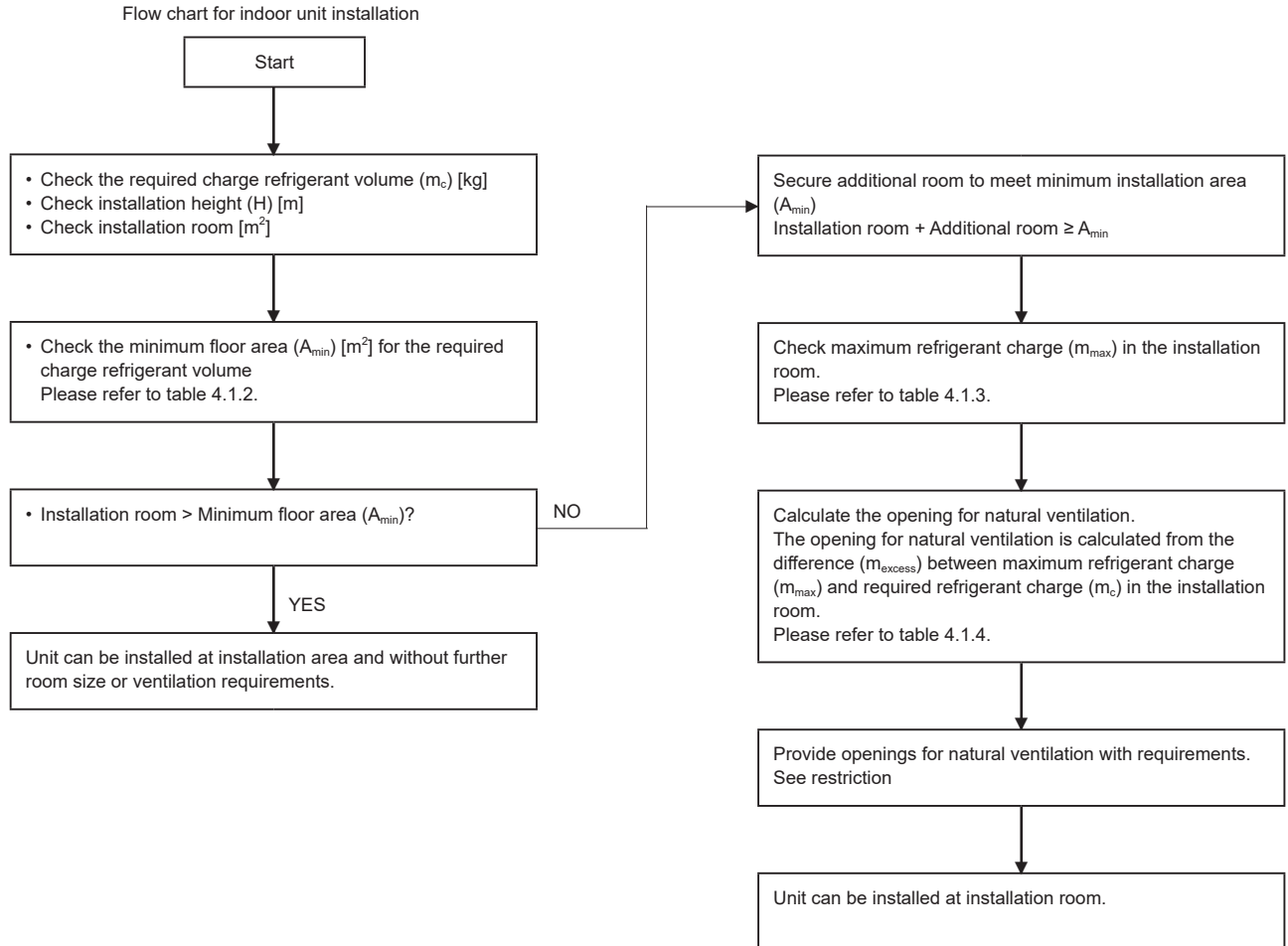
<Figure 4.1.1>
Service access

The cylinder unit must be located indoors and in a frost-free environment, for example in a utility room, to minimise heat loss from stored water.

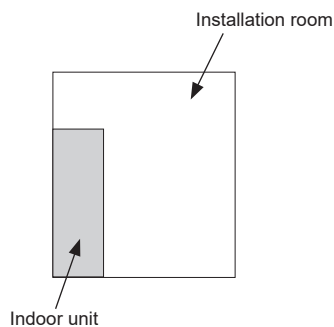
4 Cylinder unit

Indoor unit installation requirements for R32 refrigerant

- If the total refrigerant charge in the system is < 1.84 kg, no additional minimum floor area is required.
- If the total refrigerant charge in the system is ≥ 1.84 kg, minimum floor area requirements are complied according to the below flow chart.
- Charges above 2.4 kg are not allowed in the unit.

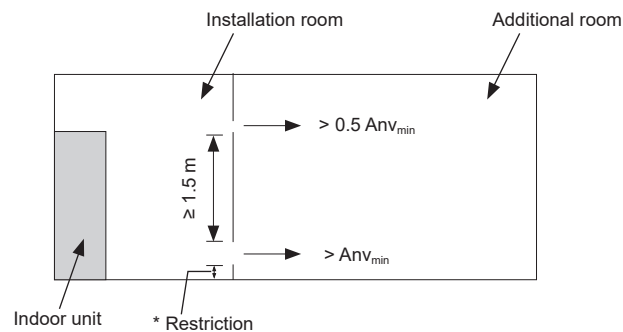


Cylinder unit:



Cylinder unit:

In case of natural ventilation



* Restriction for ventilation

When the openings for connected rooms and natural ventilation are required, the following conditions shall be applied.

- The area of any openings above 300 mm from the floor shall not be considered in determining compliance with minimum opening for natural ventilation ($An_{v_{min}}$).
- At least 50% of the required opening area $An_{v_{min}}$ shall be below 200 mm from the floor.
- The bottom of the lowest openings shall not be higher than the point of release when the unit is installed and not more than 100 mm from the floor.
- Openings are permanent openings which cannot be closed.
- The height of the openings between the wall and floor which connect the rooms are not less than 20 mm.
- A second higher opening shall be provided. The total size of second opening shall not be less than 50% of minimum opening area for $An_{v_{min}}$ and shall be at least 1.5 m above the floor.

4 Cylinder unit

Indoor unit installation requirements for R32 refrigerant

Minimum floor area: Indoor unit - Cylinder unit

m_c [kg]	Minimum floor area (A_{min}) [m ²]			
	E*ST17D	E*ST20D	ERST17D-*M*BD	E*ST30D
	H = 1400 mm	H = 1600 mm	H = 1600 mm	H = 2050 mm
< 1.84	-	-	-	-
1.84	5.8	5.0	5.0	3.9
1.9	5.9	5.2	5.2	4.1
2.0	6.3	5.5	5.5	4.3
2.1	6.9	5.8	5.8	4.5
2.2	7.6	6.0	6.0	4.7
2.3	8.3	6.4	6.4	4.9
2.4	9.0	6.9	6.9	5.1

<Table 4.1.2>

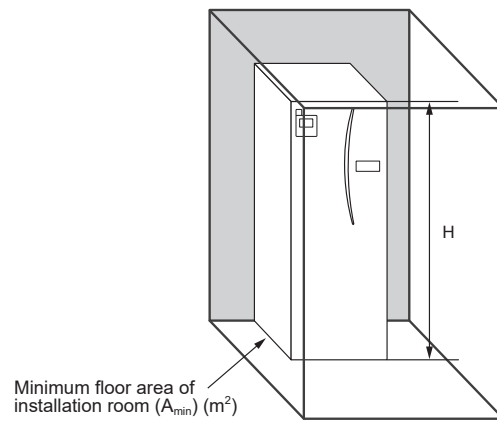
- If the total refrigerant charge in the system is < 1.84 kg, no additional minimum floor area is required.
- Charges above 2.4 kg are not allowed in the unit.
- For intermediate refrigerant charges, use the row with the higher value. Example: If the refrigerant charge is 2.04 kg, use the row of 2.1 kg.
- The value of installation height (H) is considered above value to comply to IEC60335-2-40: 2018

Maximum refrigerant charge allowed in the room: Cylinder unit

Installation room [m ²]	Maximum refrigerant charge in a room (m_{max}) [kg]			
	E*ST17D	E*ST20D	ERST17D-*M*BD	E*ST30D
	H = 1400 mm	H = 1600 mm	H = 1600 mm	H = 2050 mm
1	1.83	1.83	1.83	1.83
2	1.83	1.83	1.83	1.83
3	1.83	1.83	1.83	1.83
4	1.83	1.83	1.83	1.88
5	1.83	1.84	1.84	2.36
6	1.93	2.21	2.21	2.4
7	2.11	2.4	2.4	2.4
8	2.26	2.4	2.4	2.4
9	2.39	2.4	2.4	2.4
10	2.4	2.4	2.4	2.4

<Table 4.1.3>

- For intermediate floor areas, use the row with the lower value. Example: If the floor area is 5.4 m², use the row of 5 m².
- The value of installation height (H) is considered above value to comply to IEC60335-2-40: 2018



Minimum venting opening area for natural ventilation: Cylinder unit

m_c [kg]	m_{max} [kg]	m_{excess} [kg] = $m_c - m_{max}$	Minimum opening for natural ventilation ($An_{v,min}$) [cm ²]			
			E*ST17D	E*ST20D	ERST17D-*M*BD	E*ST30D
2.4	1.84	0.56	149	139	139	123
2.4	1.9	0.5	133	124	124	110
2.4	2.0	0.4	107	100	100	88
2.4	2.1	0.3	82	75	75	66
2.4	2.2	0.2	56	50	50	44
2.4	2.3	0.1	29	25	25	22

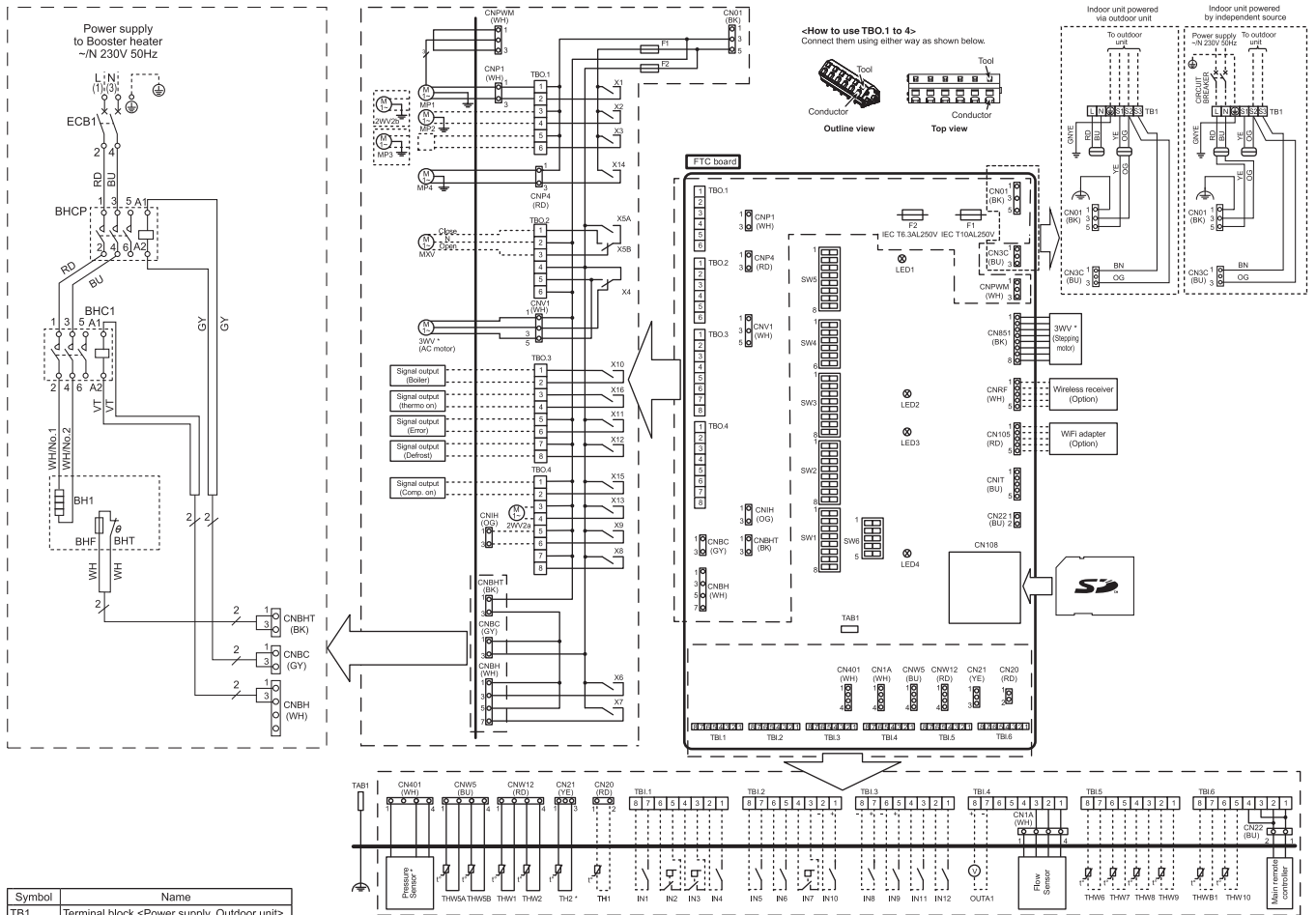
<Table 4.1.4>

- For intermediate m_{excess} values, the value that corresponds to the higher m_{excess} value from the table is considered.
Example:
 $m_{excess} = 0.44$ kg, the value that corresponds to $m_{excess} = 0.5$ kg is considered.
- The value of installation height (H) is considered above value to comply to IEC60335-2-40: 2018

4 Cylinder unit

4.2 Wiring diagrams

E**T***-VM2(E)D



Symbol	Name
TB1	Terminal block <Power supply, Outdoor unit>
ECB1	Earth leakage circuit breaker for booster heater
ECB2	Earth leakage circuit breaker for immersion heater
MP1	Water circulation pump 1(Space heating and DHW)
MP2	Water circulation pump 2 (Space heating for Zone1)(Local supply)
MP3	Water circulation pump 3 (Space heating for Zone2)(Local supply)
MP4	Water circulation pump 4 (DHW)
3WV	3-way valve (AC motor) (E*PT120/30D-M**D, E*ST**C/30D-M**D) 3-way valve (Stepping motor) (E*PT17X-M**D, E*ST17/20D-M**D)
2WV2a	2-way valve (For Zone 1)(Local supply)
2WV2b	2-way valve (For Zone 2)(Local supply)
MXV	Mixing valve (Local supply)
IHT	Thermostat (fixed temp.) for immersion heater
IH	Immersion heater
IHC	Contact for immersion heater
TH1	Thermistor (Room temp.)(Option)
TH2	Thermistor (Ref. liquid temp.)
THW1	Thermistor (Flow water temp.)
THW2	Thermistor (Return water temp.)
THW5A	Thermistor (DHW tank upper water temp.)
THW5B	Thermistor (DHW tank lower water temp.)
THW6	Thermistor (Zone1 flow temp.)(Option)
THW7	Thermistor (Zone1 return temp.)(Option)
THW8	Thermistor (Zone2 flow temp.)(Option)
THW9	Thermistor (Zone2 return temp.)(Option)
THW10	Thermistor (Mixing tank temp.)(Option)
THWB1	Thermistor (Boiler flow temp.)(Option)
IN1	Room thermostat 1 (Local supply)
IN2	Flow switch 1 (Local supply)
IN3	Flow switch 2 (Local supply)
IN4	Demand control (Local supply)
IN5	Outdoor thermostat (Local supply)
IN6	Room thermostat 2 (Local supply)
IN7	Flow switch 3 (Local supply)
IN8	Electric energy meter 1 (Local supply)
IN9	Electric energy meter 2 (Local supply)
IN10	Heat meter (Local supply)
IN11	Smart grid ready input (Local supply)
IN12	Flow sensor
INA1	Flow sensor
FLOW TEMP. CONTROLLER (FTC)	
TBO.1-4	Terminal block <Outputs>
TBI.1-6	Terminal block <Signal Inputs, Thermistor>
F1	Fuse (IEC T10AL250V)
F2	Fuse (IEC T6.3AL250V)
SW1-6	DIP switch *See Table 3
X1-16	Relay
LED1	Power supply (FTC)
LED2	Power supply (Main remote controller)
LED3	Communication (FTC-Outdoor unit)
LED4	Reading or writing data to SD card
CNPWM	Pump speed control signal for MP1
CN108	SD card connector

1. Symbols used in wiring diagram are, □ : connector, □□ : terminal block. Function with asterisk (*) may not be available depending on model types.
2. Indoor unit and outdoor unit connecting wires have polarities, make sure to match terminal numbers (S1, S2, S3) for correct wirings.
3. Since the outdoor unit side electric wiring may change, be sure to check the outdoor unit electric wiring diagram for service.
4. Refer to the installation manual for the water circulation diagrams of the models other than shown below.

Name	Terminal block	Connector	Item	OFF (Open)	ON (Short)
IN1	TBI.1 7-8	—	Room thermostat 1 input *1	Refer to SW2-1 in <Table 4.3,1DIP Switch Functions>	
IN2	TBI.1 5-6	—	Flow switch 1 input	Refer to SW2-2 in <Table 4.3,1DIP Switch Functions>	
IN3	TBI.1 3-4	—	Flow switch 2 input (Zone1)	Refer to SW3-2 in <Table 4.3,1DIP Switch Functions>	
IN4	TBI.1 1-2	—	Demand control input	Normal	Heat source OFF/Boiler operation *3
IN5	TBI.2 7-8	—	Outdoor thermostat input *2	Standard operation	Heater operation/Boiler operation *3
IN6	TBI.2 5-6	—	Room thermostat 2 input *1	Refer to SW3-1 in <Table 4.3,1DIP Switch Functions>	
IN7	TBI.2 3-4	—	Flow switch 3 input (Zone2)	Refer to SW3-2 in <Table 4.3,1DIP Switch Functions>	
IN8	TBI.3 7-8	—	Electric energy meter 1		
IN9	TBI.3 5-6	—	Electric energy meter 2		
IN10	TBI.2 1-2	—	Heat meter	Refer to installation manual.	
IN11	TBI.3 3-4	—	Smart grid ready		
IN12	TBI.3 1-2	—	input		
INA1	TBI.4 1-3	CN1A	Flow sensor		

- *1. Set the ON/OFF cycle time of the room thermostat for 10 minutes or more; otherwise the compressor may be damaged.
- *2. If using outdoor thermostat for controlling operation of heaters, the lifetime of the heaters and related parts may be reduced.
- *3. To turn on the boiler operation, use the main remote controller to select "Boiler" in "External input setting" screen in the service menu.

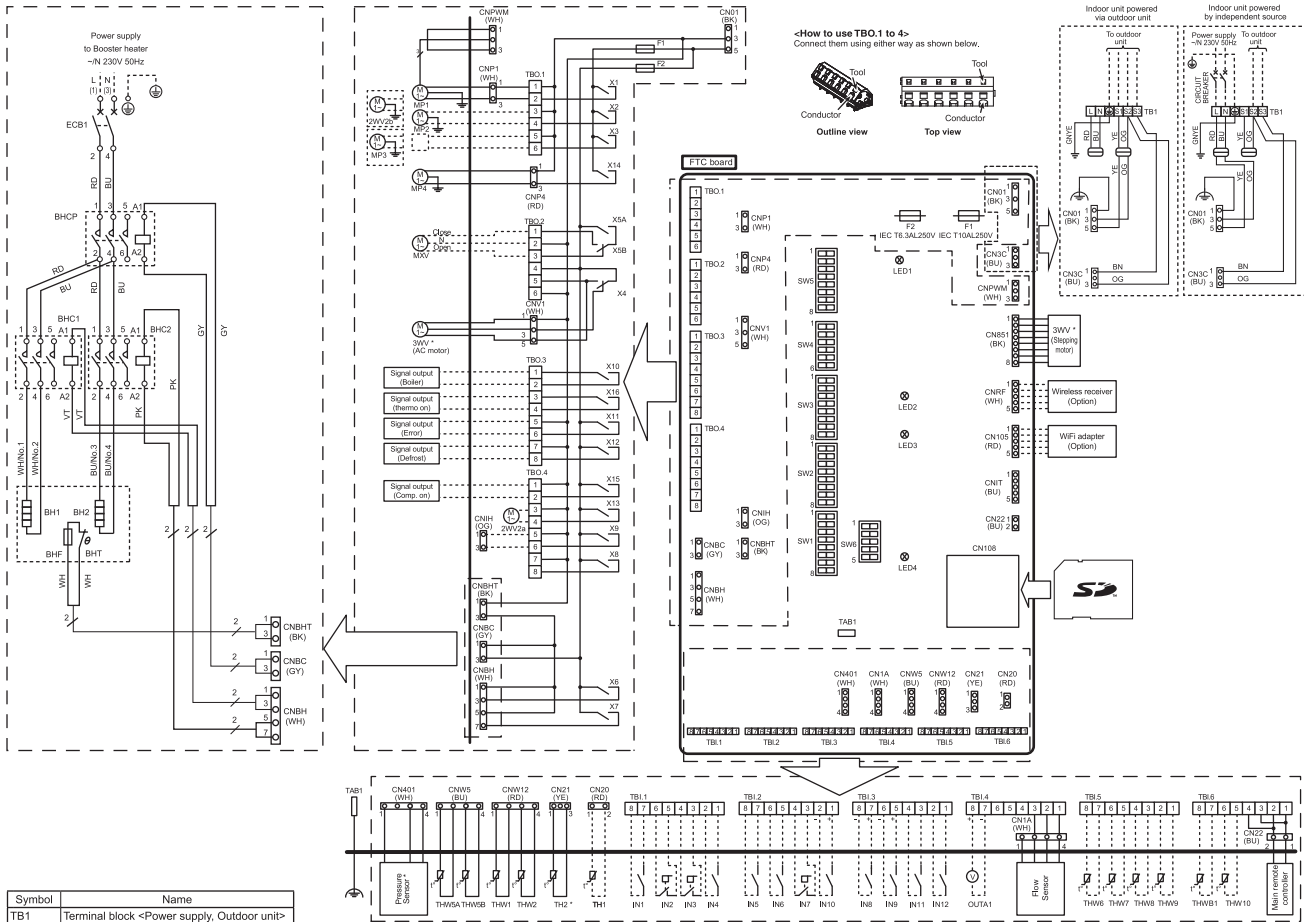
Name	Terminal block	Connector	Item	OFF	ON
OUT1	TBO.1 1-2	CNP1	Water circulation pump 1 output (Space heating/cooling & DHW)	OFF	ON
OUT2	TBO.1 3-4	—	Water circulation pump 2 output (Space heating/cooling for Zone1)	OFF	ON
OUT3	TBO.1 5-6	—	Water circulation pump 3 output (Space heating/cooling for Zone2) *1 2-way valve 2b output *2	OFF	ON
OUT4	TBO.2 4-6	CNV1	3-way valve (2-way valve) output	Heating	DHW
OUT5	TBO.2 1-2	—	Mixing valve output *1	Stop	Close
OUT6	TBO.2 2-3	—	Mixing valve output *1	Open	Open
OUT7	—	ONH13	Booster heater 1 output	OFF	ON
OUT8	—	ONH57	Booster heater 2 output	OFF	ON
OUT9	TBO.4 7-8	—	Cooling signal output	OFF	ON
OUT10	TBO.4 5-6	CNIH	Immersion heater output	OFF	ON
OUT11	TBO.3 1-2	—	Boiler output	OFF	ON
OUT12	TBO.3 5-6	—	Error output	Normal	Error
OUT13	TBO.3 7-8	—	Defrost output	Normal	Defrost
OUT14	TBO.4 3-4	—	2-way valve 2a output *2	OFF	ON
OUT15	—	CNP4	Water circulation pump 4 output (DHW)	OFF	ON
OUT16	TBO.4 1-2	—	Comp. ON signal	OFF	ON
OUT17	TBO.3 3-4	—	Thermo ON signal	OFF	ON
OUTA1	TBI.4 7-8	—	Analog output	0V-10V	

Do not connect to the terminals that are indicated as "—" in the "Terminal block" field.
*1. For 2-zone temperature control.
*2. For 2-zone valve ON/OFF control.

4 Cylinder unit

E**T***-VM6(E)D

Cylinder unit
Hydrobox/GSHP/WTW



Symbol	Name
TB1	Terminal block <Power supply, Outdoor unit>
ECB1	Earth leakage circuit breaker for booster heater
ECB2	Earth leakage circuit breaker for immersion heater
MP1	Water circulation pump 1(Space heating and DHW)
MP2	Water circulation pump 2 (Space heating for Zone1)(Local supply)
MP3	Water circulation pump 3 (Space heating for Zone2)(Local supply)
MP4	Water circulation pump 4 (DHW)
3WV	3-way valve (AC motor) (E*PT20/30X-M**D*, E*ST**C/30D-M**D) 3-way valve (Stepping motor) (E*PT17X-M**D*, E*ST17/20D-M**D)
2WV2a	2-way valve (For Zone 1)(Local supply)
2WV2b	2-way valve (For Zone 2)(Local supply)
MXV	Mixing valve (Local supply)
IHT	Thermostat (fixed temp.) for immersion heater
IH	Immersion heater
IHC	Contact for immersion heater
TH1	Thermistor (Room temp.)(Option)
TH2	Thermistor (Ref. liquid temp.)
THW1	Thermistor (Flow water temp.)
THW2	Thermistor (Return water temp.)
THW5A	Thermistor (DHW tank upper water temp.)
THW5B	Thermistor (DHW tank lower water temp.)
THW6	Thermistor (Zone1 flow temp.)(Option)
THW7	Thermistor (Zone1 return temp.)(Option)
THW8	Thermistor (Zone2 flow temp.)(Option)
THW9	Thermistor (Zone2 return temp.)(Option)
THW10	Thermistor (Mixing tank temp.)(Option)
THWB1	Thermistor (Boiler flow temp.)(Option)
IN1	Room thermostat 1 (Local supply)
IN2	Flow switch 1 (Local supply)
IN3	Flow switch 2 (Local supply)
IN4	Demand control (Local supply)
IN5	Outdoor thermostat (Local supply)
IN6	Room thermostat 2 (Local supply)
IN7	Flow switch 3 (Local supply)
IN8	Electric energy meter 1 (Local supply)
IN9	Electric energy meter 2 (Local supply)
IN10	Heat meter (Local supply)
IN11	Smart grid ready input (Local supply)
IN12	Smart grid ready input (Local supply)
INA1	Flow sensor
FLOW TEMP. CONTROLLER (FTC)	
TBO.1-4	Terminal block <Outputs>
TBI.1-6	Terminal block <Signal Inputs, Thermistor>
F1	Fuse (IEC T10AL250V)
F2	Fuse (IEC T6.3AL250V)
SW1-6	DIP switch *See Table 3
X1-16	Relay
LED1	Power supply (FTC)
LED2	Power supply (Main remote controller)
LED3	Communication (FTC-Outdoor unit)
LED4	Reading or writing data to SD card
CNPWM	Pump speed control signal for MP1
CNT108	SD card connector

1. Symbols used in wiring diagram are: : connector, : terminal block. Function with asterisk (*) may not be available depending on model types.
2. Indoor unit and outdoor unit connecting wires have polarities, make sure to match terminal numbers (S1, S2, S3) for correct wirings.
3. Since the outdoor unit side electric wiring may change, be sure to check the outdoor unit electric wiring diagram for service.
4. Refer to the installation manual for the water circulation diagrams of the models other than shown below.

Table 1 Signal Inputs

Name	Terminal block	Connector	Item	OFF (Open)	ON (Short)
IN1	TBI.1	7-8	Room thermostat 1 input *1	Refer to SW2-1 in <Table 4.3.1DIP Switch Functions>	
IN2	TBI.1	5-6	Flow switch 1 input	Refer to SW2-2 in <Table 4.3.1DIP Switch Functions>	
IN3	TBI.1	3-4	Flow switch 2 input (Zone1)	Refer to SW3-2 in <Table 4.3.1DIP Switch Functions>	
IN4	TBI.1	1-2	Demand control input	Normal	Heat source OFF/Boiler operation *3
IN5	TBI.2	7-8	Outdoor thermostat input	Standard operation	Heater operation/Boiler operation *3
IN6	TBI.2	5-6	Room thermostat 2 input *1	Refer to SW3-1 in <Table 4.3.1DIP Switch Functions>	
IN7	TBI.2	3-4	Flow switch 3 input (Zone2)	Refer to SW3-2 in <Table 4.3.1DIP Switch Functions>	
IN8	TBI.3	7-8	Electric energy meter 1		
IN9	TBI.3	5-6	Electric energy meter 2		
IN10	TBI.2	1-2	Heat meter		
IN11	TBI.3	3-4	Smart grid ready		
IN12	TBI.3	1-2	input		
INA1	TBI.4	1-3	CNV1A Flow sensor		

- *1. Set the ON/OFF cycle time of the room thermostat for 10 minutes or more; otherwise the compressor may be damaged.
- *2. If using outdoor thermostat for controlling operation of heaters, the lifetime of the heaters and related parts may be reduced.
- *3. To turn on the boiler operation, use the main remote controller to select "Boiler" in "External input setting" screen in the service menu.

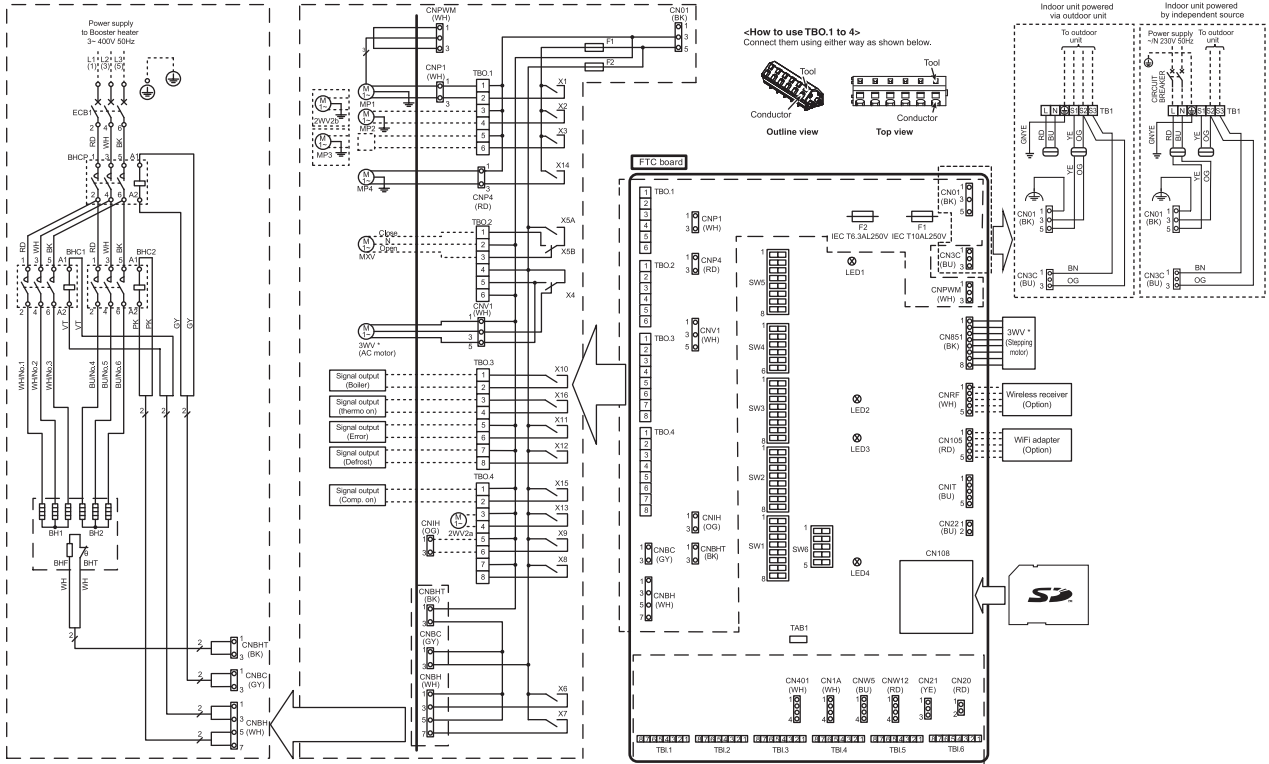
Table 2 Outputs

Name	Terminal block	Connector	Item	OFF	ON
OUT1	TBO.1	1-2	CNP1 Water circulation pump 1 output (Space heating/cooling & DHW)	OFF	ON
OUT2	TBO.1	3-4	Water circulation pump 2 output (Space heating/cooling for Zone1)	OFF	ON
OUT3	TBO.1	5-6	Water circulation pump 3 output (Space heating/cooling for Zone2) *1	OFF	ON
OUT4	TBO.2	4-6	CNV1 3-way valve (2-way valve) output	Heating	DHW
		CN851	3-way valve output		
OUT5	TBO.2	1-2	Mixing valve output *1	Stop	Close
		TBO.2	2-3		Open
OUT6		CNH13	Booster heater 1 output	OFF	ON
OUT7		CNH15	Booster heater 2 output	OFF	ON
OUT8	TBO.4	7-8	Cooling signal output	OFF	ON
OUT9	TBO.4	5-6	CNIH Immersion heater output	OFF	ON
OUT10	TBO.3	1-2	Boiler output	OFF	ON
OUT11	TBO.3	5-6	Error output	Normal	Error
OUT12	TBO.3	7-8	Defrost output	Normal	Defrost
OUT13	TBO.4	3-4	2-way valve 2a output *2	OFF	ON
OUT14		CNP4	Water circulation pump 4 output (DHW)	OFF	ON
OUT15	TBO.4	1-2	Comp. ON signal	OFF	ON
OUT16	TBO.3	3-4	Thermo ON signal	OFF	ON
OUTA1	TBI.4	7-8	Analog output		0V-10V

Do not connect to the terminals that are indicated as "-" in the "Terminal block" field.
 *1. For 2-zone temperature control.
 *2. For 2-zone valve ON/OFF control.

4 Cylinder unit

EH*T***-YM9(E)D



Symbol	Name
TB1	Terminal block <Power supply, Outdoor unit>
ECB1	Earth leakage circuit breaker for booster heater
ECB2	Earth leakage circuit breaker for immersion heater
MP1	Water circulation pump 1(Space heating and DHW)
MP2	Water circulation pump 2 (Space heating for Zone1)(Local supply)
MP3	Water circulation pump 3 (Space heating for Zone2)(Local supply)
MP4	Water circulation pump 4 (DHW)
3WV	3-way valve (AC motor)
2WV2a	2-way valve (For Zone 1)(Local supply)
2WV2b	2-way valve (For Zone 2)(Local supply)
MXV	Mixing valve (Local supply)
IHT	Thermostat (fixed temp.) for immersion heater
IH	Immersion heater
IHC	Contactor for immersion heater
TH1	Thermistor (Room temp.)(Option)
TH2	Thermistor (Ref. liquid temp.)
THW1	Thermistor (Flow water temp.)
THW2	Thermistor (Return water temp.)
THW5A	Thermistor (DHW tank upper water temp.)
THW5B	Thermistor (DHW tank lower water temp.)
THW6	Thermistor (Zone1 flow temp.)(Option)
THW7	Thermistor (Zone1 return temp.)(Option)
THW8	Thermistor (Zone2 flow temp.)(Option)
THW9	Thermistor (Zone2 return temp.)(Option)
THW10	Thermistor (Mixing tank temp.)(Option)
THWB1	Thermistor (Boiler flow temp.)(Option)
IN1	Room thermostat 1 (Local supply)
IN2	Flow switch 1 (Local supply)
IN3	Flow switch 2 (Local supply)
IN4	Demand control (Local supply)
IN5	Outdoor thermostat (Local supply)
IN6	Room thermostat 2 (Local supply)
IN7	Flow switch 3 (Local supply)
IN8	Electric energy meter 1 (Local supply)
IN9	Electric energy meter 2 (Local supply)
IN10	Heat meter (Local supply)
IN11	Smart grid ready input (Local supply)
IN12	Smart grid ready input (Local supply)
INA1	Flow sensor
FLOW TEMP. CONTROLLER (FTC)	
TBO.1-4	Terminal block <Outputs>
TB1.1-6	Terminal block <Signal Inputs, Thermistor>
F1	Fuse (IEC T10AL250V)
F2	Fuse (IEC T6.3AL250V)
SW1-6	DIP switch *See Table 3
X1-16	Relay
LED1	Power supply (FTC)
LED2	Power supply (Main remote controller)
LED3	Communication (FTC-Outdoor unit)
LED4	Reading or writing data to SD card
CNPWM	Pump speed control signal for MP1
CN108	SD card connector

- Symbols used in wiring diagram are, : connector, : terminal block. Function with asterisk (*) may not be available depending on model types.
- Indoor unit and outdoor unit connecting wires have polarities, make sure to match terminal numbers (S1, S2, S3) for correct wirings.
- Since the outdoor unit side electric wiring may change, be sure to check the outdoor unit electric wiring diagram for service.
- Refer to the installation manual for the water circulation diagrams of the models other than shown below.

Table 1 Signal Inputs

Name	Terminal block	Connector	Item	OFF (Open)	ON (Short)
IN1	TB1.1 7-8	—	Room thermostat 1 input *1	Refer to SW2-1 in <Table 4.3.1DIP Switch Functions>.	
IN2	TB1.1 5-6	—	Flow switch 1 input	Refer to SW2-2 in <Table 4.3.1DIP Switch Functions>.	
IN3	TB1.1 3-4	—	Flow switch 2 input (Zone1)	Refer to SW3-2 in <Table 4.3.1DIP Switch Functions>.	
IN4	TB1.1 1-2	—	Demand control input	Normal	Heat source OFF/ Boiler operation *3
IN5	TB1.2 7-8	—	Outdoor thermostat input *2	Standard operation	Heater operation/ Boiler operation *3
IN6	TB1.2 5-6	—	Room thermostat 2 input *1	Refer to SW3-1 in <Table 4.3.1DIP Switch Functions>.	
IN7	TB1.2 3-4	—	Flow switch 3 input (Zone2)	Refer to SW3-2 in <Table 4.3.1DIP Switch Functions>.	
IN8	TB1.3 7-8	—	Electric energy meter 1		
IN9	TB1.3 5-6	—	Electric energy meter 2		
IN10	TB1.2 1-2	—	Heat meter		
IN11	TB1.3 3-4	—	Smart grid ready input		
IN12	TB1.3 1-2	—	input		
INA1	TB1.4 1-3	CN1A	Flow sensor		

- Set the ON/OFF cycle time of the room thermostat for 10 minutes or more; otherwise the compressor may be damaged.
- If using outdoor thermostat for controlling operation of heaters, the lifetime of the heaters and related parts may be reduced.
- To turn on the boiler operation, use the main remote controller to select "Boiler" in "External input settings" screen in the service menu.

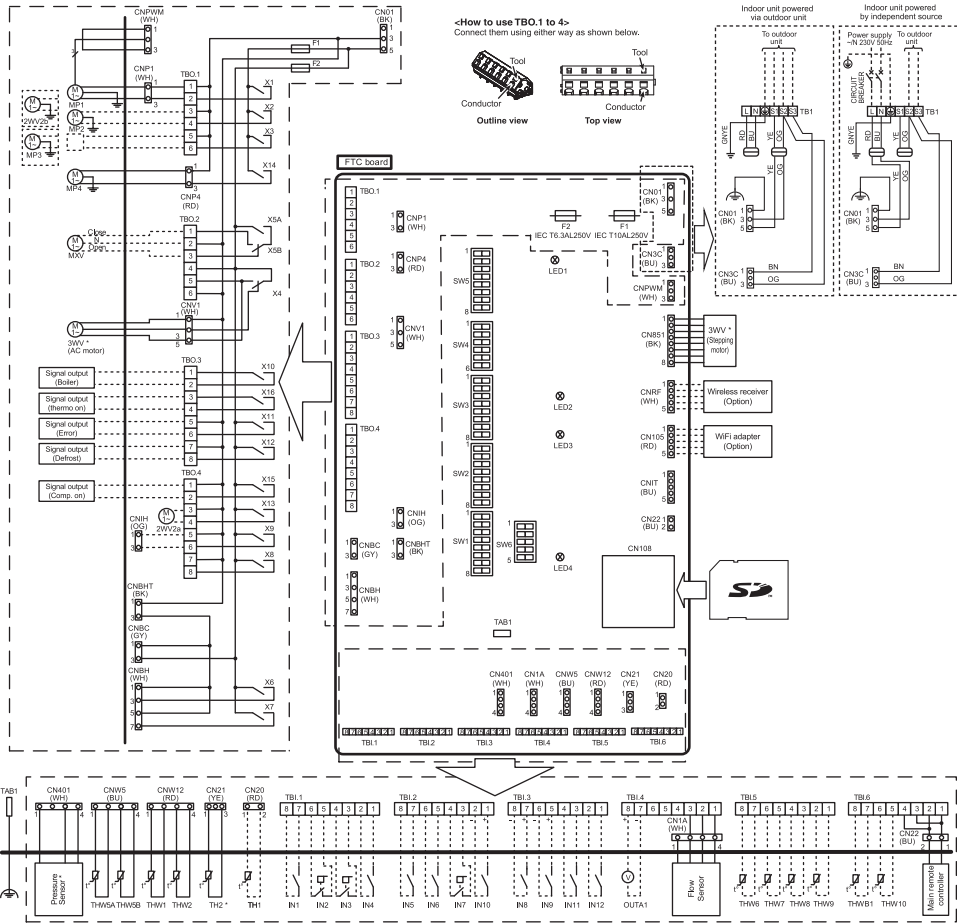
Table 2 Outputs

Name	Terminal block	Connector	Item	OFF	ON
OUT1	TBO.1 1-2	CNP1	Water circulation pump 1 output (Space heating/cooling & DHW)	OFF	ON
OUT2	TBO.1 3-4	—	Water circulation pump 2 output (Space heating/cooling for Zone1)	OFF	ON
OUT3	TBO.1 5-6	—	Water circulation pump 3 output (Space heating/cooling for Zone2) *1	OFF	ON
OUT4	TBO.2 4-6	CNV1	3-way valve (2-way valve) output	Heating	DHW
OUT5	TBO.2 1-2	CN851	3-way valve output		Close
OUT6	TBO.2 2-3	—	Mixing valve output *1	Stop	Open
OUT7	—	CNBH.13	Booster heater 1 output	OFF	ON
OUT8	—	CNBH.57	Booster heater 2 output	OFF	ON
OUT9	TBO.4 7-8	—	Cooling signal output	OFF	ON
OUT10	TBO.4 5-6	CNIH	Immersion heater output	OFF	ON
OUT11	TBO.3 1-2	—	Boiler output	OFF	ON
OUT12	TBO.3 5-6	—	Error output	Normal	Error
OUT13	TBO.3 7-8	—	Defrost output	Normal	Defrost
OUT14	TBO.4 3-4	—	2-way valve 2a output *2	OFF	ON
OUT15	—	CNP4	Water circulation pump 4 output (DHW)	OFF	ON
OUT16	TBO.4 1-2	—	Comp. ON signal	OFF	ON
OUT17	TBO.3 3-4	—	Thermo ON signal	OFF	ON
OUTA1	TB1.4 7-8	—	Analog output	0V-10V	

Do not connect to the terminals that are indicated as "—" in the "Terminal block" field.
 *1. For 2-zone temperature control.
 *2. For 2-zone valve ON/OFF control.

4 Cylinder unit

E**T***-M(E)D



Symbol	Name
TB1	Terminal block <Power supply, Outdoor unit>
ECB1	Earth leakage circuit breaker for booster heater
ECB2	Earth leakage circuit breaker for immersion heater
MP1	Water circulation pump 1(Space heating and DHW)
MP2	Water circulation pump 2 (Space heating for Zone1)(Local supply)
MP3	Water circulation pump 3 (Space heating for Zone2)(Local supply)
MP4	Water circulation pump 4 (DHW)
3WV	3-way valve (AC motor) (E*PT20/30D-M**D*, E*ST**C/30D-M**D) 3-way valve (Stepping motor) (E*PT17X-M**D*, E*ST17/20D-M**D)
2WV2a	2-way valve (For Zone 1)(Local supply)
2WV2b	2-way valve (For Zone 2)(Local supply)
MXV	Mixing valve (Local supply)
IHT	Thermostat (fixed temp.) for immersion heater
IH	Immersion heater
IHC	Contact for immersion heater
TH1	Thermistor (Room temp.)(Option)
TH2	Thermistor (Ref. liquid temp.)
THW1	Thermistor (Flow water temp.)
THW2	Thermistor (Return water temp.)
THW5A	Thermistor (DHW tank upper water temp.)
THW5B	Thermistor (DHW tank lower water temp.)
THW6	Thermistor (Zone1 flow temp.)(Option)
THW7	Thermistor (Zone1 return temp.)(Option)
THW8	Thermistor (Zone2 flow temp.)(Option)
THW9	Thermistor (Zone2 return temp.)(Option)
THW10	Thermistor (Mixing tank temp.)(Option)
THWB1	Thermistor (Boiler flow temp.)(Option)
IN1	Room thermostat 1 (Local supply)
IN2	Flow switch 1 (Local supply)
IN3	Flow switch 2 (Local supply)
IN4	Demand control (Local supply)
IN5	Outdoor thermostat (Local supply)
IN6	Room thermostat 2 (Local supply)
IN7	Flow switch 3 (Local supply)
IN8	Electric energy meter 1 (Local supply)
IN9	Electric energy meter 2 (Local supply)
IN10	Heat meter (Local supply)
IN11	Smart grid ready input (Local supply)
IN12	Smart grid ready input (Local supply)
INA1	Flow sensor
FLOW TEMP. CONTROLLER (FTC)	
TBO.1-4	Terminal block <Outputs>
TBI.1-6	Terminal block <Signal Inputs, Thermistor>
F1	Fuse (IEC T10AL250V)
F2	Fuse (IEC T6.3AL250V)
SW1-6	DIP switch *See Table 3
X1-16	Relay
LED1	Power supply (FTC)
LED2	Power supply (Main remote controller)
LED3	Communication (FTC-Outdoor unit)
LED4	Reading or writing data to SD card
CNPWM	Pump speed control signal for MP1
CN108	SD card connector

- Symbols used in wiring diagram are, : connector, : terminal block. Function with asterisk (*) may not be available depending on model types.
- Indoor unit and outdoor unit connecting wires have polarities, make sure to match terminal numbers (S1, S2, S3) for correct wirings.
- Since the outdoor unit side electric wiring may change, be sure to check the outdoor unit electric wiring diagram for service.
- Refer to the installation manual for the water circulation diagrams of the models other than shown below.

Table 1 Signal Inputs

Name	Terminal block	Connector	Item	OFF (Open)	ON (Short)
IN1	TBI.1 7-8	—	Room thermostat 1 input *1	Refer to SW2-1 in <Table 4.3,1DIP Switch Functions>.	
IN2	TBI.1 5-6	—	Flow switch 1 input	Refer to SW2-2 in <Table 4.3,1DIP Switch Functions>.	
IN3	TBI.1 3-4	—	Flow switch 2 input (Zone1)	Refer to SW3-2 in <Table 4.3,1DIP Switch Functions>.	
IN4	TBI.1 1-2	—	Demand control input	Normal	Heat source OFF/Boiler operation *3
IN5	TBI.2 7-8	—	Outdoor thermostat input *2	Standard operation	Heater operation/Boiler operation *3
IN6	TBI.2 5-6	—	Room thermostat 2 input *1	Refer to SW3-1 in <Table 4.3,1DIP Switch Functions>.	
IN7	TBI.2 3-4	—	Flow switch 3 input (Zone2)	Refer to SW3-2 in <Table 4.3,1DIP Switch Functions>.	
IN8	TBI.3 7-8	—	Electric energy meter 1		
IN9	TBI.3 5-6	—	Electric energy meter 2		
IN10	TBI.2 1-2	—	Heat meter		
IN11	TBI.3 3-4	—	Smart grid ready		
IN12	TBI.3 1-2	—	input		
INA1	TBI.4 1-3	CN1A	Flow sensor		

- Set the ON/OFF cycle time of the room thermostat for 10 minutes or more; otherwise the compressor may be damaged.
- If using outdoor thermostat for controlling operation of heaters, the lifetime of the heaters and related parts may be reduced.
- To turn on the boiler operation, use the main remote controller to select "Boiler" in "External input setting" screen in the service menu.

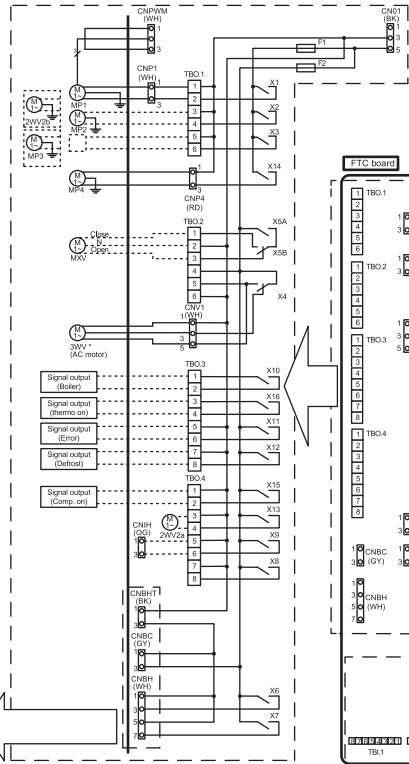
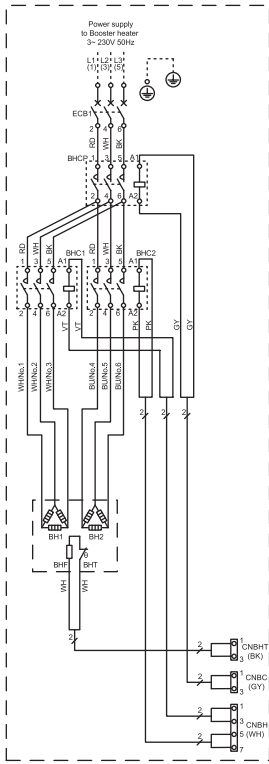
Table 2 Outputs

Name	Terminal block	Connector	Item	OFF	ON
OUT1	TBO.1 1-2	CNP1	Water circulation pump 1 output (Space heating/cooling & DHW)	OFF	ON
OUT2	TBO.1 3-4	—	Water circulation pump 2 output (Space heating/cooling for Zone1)	OFF	ON
OUT3	TBO.1 5-6	—	Water circulation pump 3 output (Space heating/cooling for Zone2) *1	OFF	ON
OUT4	TBO.2 4-6	CNV1	2-way valve 2b output *2		
	—	CN851	3-way valve output	Heating	DHW
OUT5	TBO.2 1-2	—	Mixing valve output *1	Stop	Close
	TBO.2 2-3	—		Open	Open
OUT6	—	CNB13	Booster heater 1 output	OFF	ON
OUT7	—	CNB57	Booster heater 2 output	OFF	ON
OUT8	TBO.4 7-8	—	Cooling signal output	OFF	ON
OUT9	TBO.4 5-6	CNIH	Immersion heater output	OFF	ON
OUT10	TBO.3 1-2	—	Boiler output	OFF	ON
OUT11	TBO.3 5-6	—	Error output	Normal	Error
OUT12	TBO.3 7-8	—	Defrost output	Normal	Defrost
OUT13	TBO.4 3-4	—	2-way valve 2a output *2	OFF	ON
OUT14	—	CNP4	Water circulation pump 4 output (DHW)	OFF	ON
OUT15	TBO.4 1-2	—	Comp. ON signal	OFF	ON
OUT16	TBO.3 3-4	—	Thermo ON signal	OFF	ON
OUTA1	TBI.4 7-8	—	Analog output		0V-10V

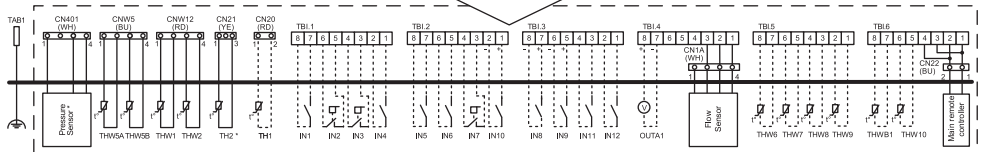
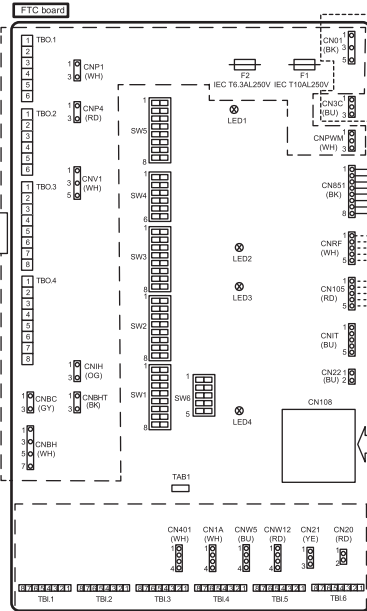
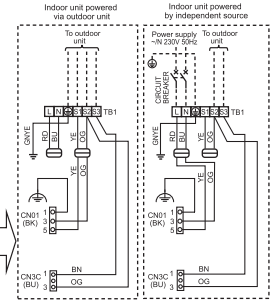
Do not connect to the terminals that are indicated as "—" in the "Terminal block" field.
 *1. For 2-zone temperature control.
 *2. For 2-zone valve ON/OFF control.

4 Cylinder unit

EH*T***-TM9(E)D



<How to use TBO.1 to 4>
Connect them using either way as shown below.



Symbol	Name
TB1	Terminal block <Power supply, Outdoor unit>
ECB1	Earth leakage circuit breaker for booster heater
ECB2	Earth leakage circuit breaker for immersion heater
MP1	Water circulation pump 1 (Space heating and DHW)
MP2	Water circulation pump 2 (Space heating for Zone1)(Local supply)
MP3	Water circulation pump 3 (Space heating for Zone2)(Local supply)
MP4	Water circulation pump 4 (DHW)
3WV	3-way valve (AC motor) (E*PT20/30X-M**D, E*ST**C30D-M**D) 3-way valve (Stepping motor) (E*PT17X-M**D, E*ST17/20D-M**D)
2WV2a	2-way valve (For Zone 1)(Local supply)
2WV2b	2-way valve (For Zone 2)(Local supply)
MXV	Mixing valve (Local supply)
IHT	Thermostat (fixed temp.) for immersion heater
IH	Immersion heater
IHC	Contact for immersion heater
TH1	Thermistor (Room temp.)(Option)
TH2	Thermistor (Ref. liquid temp.)
THW1	Thermistor (Flow water temp.)
THW2	Thermistor (Return water temp.)
THW5A	Thermistor (DHW tank upper water temp.)
THW5B	Thermistor (DHW tank lower water temp.)
THW6	Thermistor (Zone1 flow temp.)(Option)
THW7	Thermistor (Zone1 return temp.)(Option)
THW8	Thermistor (Zone2 flow temp.)(Option)
THW9	Thermistor (Zone2 return temp.)(Option)
THW10	Thermistor (Mixing tank temp.)(Option)
THWB1	Thermistor (Boiler flow temp.)(Option)
IN1	Room thermostat 1 (Local supply)
IN2	Flow switch 1 (Local supply)
IN3	Flow switch 2 (Local supply)
IN4	Demand control (Local supply)
IN5	Outdoor thermostat (Local supply)
IN6	Room thermostat 2 (Local supply)
IN7	Flow switch 3 (Local supply)
IN8	Electric energy meter 1 (Local supply)
IN9	Electric energy meter 2 (Local supply)
IN10	Heat meter (Local supply)
IN11	Smart grid ready input (Local supply)
IN12	Smart grid ready input (Local supply)
INA1	Flow sensor
FLOW TEMP. CONTROLLER (FTC)	
TBO.1-4	Terminal block <Outputs>
TBI.1-6	Terminal block <Signal inputs, Thermistor>
F1	Fuse (IEC T10AL250V)
F2	Fuse (IEC T6.3AL250V)
SW1-6	DIP switch *See Table 3
X1-16	Relay
LED1	Power supply (FTC)
LED2	Power supply (Main remote controller)
LED3	Communication (FTC-Outdoor unit)
LED4	Reading or writing data to SD card
CNPWM	Pump speed control signal for MP1
CN108	SD card connector

- Symbols used in wiring diagram are, : connector, : terminal block. Function with asterisk (*) may not be available depending on model types.
- Indoor unit and outdoor unit connecting wires have polarities, make sure to match terminal numbers (S1, S2, S3) for correct wiring.
- Since the outdoor unit side electric wiring may change, be sure to check the outdoor unit electric wiring diagram for service.
- Refer to the installation manual for the water circulation diagrams of the models other than shown below.

Table 1 Signal Inputs

Name	Terminal block	Connector	Item	OFF (Open)	ON (Short)
IN1	TBI.1 7-8	—	Room thermostat 1 input *1	Refer to SW2-1 in <Table 4.3,1DIP Switch Functions>	
IN2	TBI.1 5-6	—	Flow switch 1 input	Refer to SW2-2 in <Table 4.3,1DIP Switch Functions>	
IN3	TBI.1 3-4	—	Flow switch 2 input (Zone1)	Refer to SW3-2 in <Table 4.3,1DIP Switch Functions>	
IN4	TBI.1 1-2	—	Demand control input	Normal	Heat source OFF/Boiler operation *3
IN5	TBI.2 7-8	—	Outdoor thermostat input *2	Standard operation	Heater operation/Boiler operation *3
IN6	TBI.2 5-6	—	Room thermostat 2 input *1	Refer to SW3-1 in <Table 4.3,1DIP Switch Functions>	
IN7	TBI.2 3-4	—	Flow switch 3 input (Zone2)	Refer to SW3-2 in <Table 4.3,1DIP Switch Functions>	
IN8	TBI.3 7-8	—	Electric energy meter 1		
IN9	TBI.3 5-6	—	Electric energy meter 2		
IN10	TBI.2 1-2	—	Heat meter	Refer to installation manual.	
IN11	TBI.3 3-4	—	Smart grid ready input		
IN12	TBI.3 1-2	—	Smart grid ready input		
INA1	TBI.4 1-3	CN1A	Flow sensor		

- Set the ON/OFF cycle time of the room thermostat for 10 minutes or more, otherwise the compressor may be damaged.
- If using outdoor thermostat for controlling operation of heaters, the lifetime of the heaters and related parts may be reduced.
- To turn on the boiler operation, use the main remote controller to select "Boiler" in "External input setting" screen in the service menu.

Table 2 Outputs

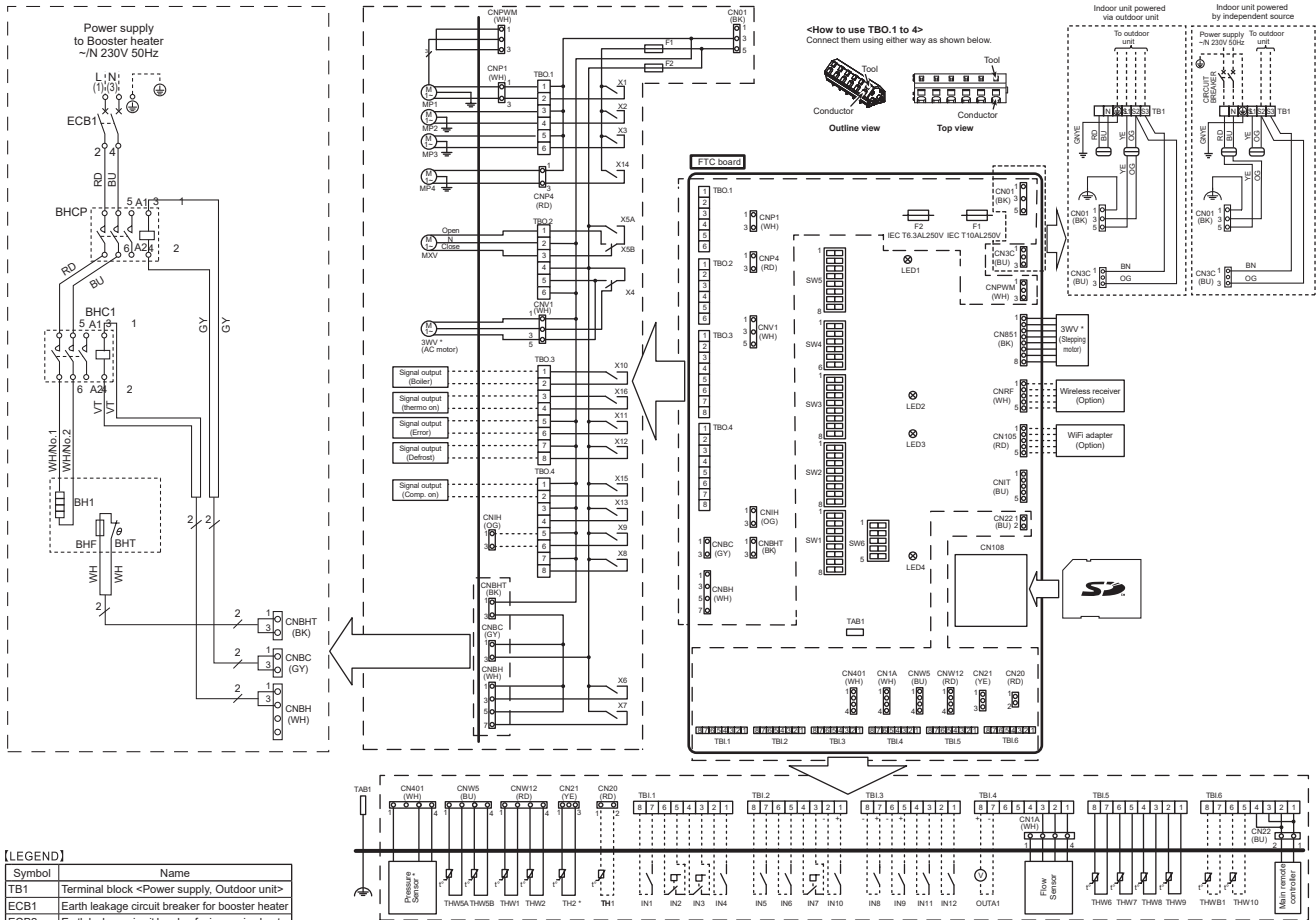
Name	Terminal block	Connector	Item	OFF	ON
OUT1	TBO.1 1-2	CNP1	Water circulation pump 1 output (Space heating/cooling & DHW)	OFF	ON
OUT2	TBO.1 3-4	—	Water circulation pump 2 output (Space heating/cooling for Zone1)	OFF	ON
OUT3	TBO.1 5-6	—	Water circulation pump 3 output (Space heating/cooling for Zone2)*1	OFF	ON
OUT4	TBO.2 4-6	CNV1	3-way valve (2-way valve) output	Heating	DHW
OUT5	TBO.2 1-2	CN851	3-way valve output		
OUT6	TBO.2 2-3	—	Mixing valve output *1	Stop	Close
OUT7	—	ONH1,3	Booster heater 1 output	OFF	ON
OUT8	—	ONH5,7	Booster heater 2 output	OFF	ON
OUT9	TBO.4 7-8	—	Cooling signal output	OFF	ON
OUT10	TBO.4 5-6	CNIH	Immersion heater output	OFF	ON
OUT11	TBO.3 1-2	—	Boiler output	OFF	ON
OUT12	TBO.3 5-6	—	Error output	Normal	Error
OUT13	TBO.3 7-8	—	Defrost output	Normal	Defrost
OUT14	TBO.4 3-4	—	2-way valve 2a output *2	OFF	ON
OUT15	—	CNP4	Water circulation pump 4 output (DHW)	OFF	ON
OUT16	TBO.4 1-2	—	Comp. ON signal	OFF	ON
OUT17	TBO.3 3-4	—	Thermo ON signal	OFF	ON
OUTA1	TBI.4 7-8	—	Analog output	0V-10V	

Do not connect to the terminals that are indicated as "—" in the "Terminal block" field.
*1. For 2-zone temperature control.
*2. For 2-zone valve ON/OFF control.

4 Cylinder unit

ER*T***-VM2BD

Cylinder unit
Hydrobox/GSHP/WTW



[LEGEND]

Symbol	Name
TB1	Terminal block <Power supply, Outdoor unit>
ECB1	Earth leakage circuit breaker for booster heater
ECB2	Earth leakage circuit breaker for immersion heater (Option)
MP1	Water circulation pump 1 (Space heating and DHW)
MP2	Water circulation pump 2 (Space heating for Zone1)
MP3	Water circulation pump 3 (Space heating for Zone2)
MP4	Water circulation pump 4 (DHW)
3WV	3-way valve (AC motor) (E*PT20/30X-M**D, E*ST**C/30D-M**D) 3-way valve (Stepping motor) (E*PT17X-M**D, E*ST17/20D-M**D)
MXV	Mixing valve
IHT	Thermostat (fixed temp.) for immersion heater (Option)
IH	Immersion heater (Option)
IHC	Contactor for immersion heater (Option)
TH1	Thermistor (Room temp.) (Option)
TH2	Thermistor (Ref. liquid temp.)
THW1	Thermistor (Flow water temp.)
THW2	Thermistor (Return water temp.)
THW5A	Thermistor (DHW tank upper water temp.)
THW5B	Thermistor (DHW tank lower water temp.)
THW6	Thermistor (Zone1 flow temp.)
THW7	Thermistor (Zone1 return temp.)
THW8	Thermistor (Zone2 flow temp.)
THW9	Thermistor (Zone2 return temp.)
THW10	Thermistor (Mixing tank temp.) (Option)
THWB1	Thermistor (Boiler flow temp.) (Option)
IN1	Room thermostat 1 (Local supply)
IN2	Flow switch 1 (Local supply)
IN3	Flow switch 2 (Local supply)
IN4	Demand control (Local supply)
IN5	Outdoor thermostat (Local supply)
IN6	Room thermostat 2 (Local supply)
IN7	Flow switch 3 (Local supply)
IN8	Electric energy meter 1 (Local supply)
IN9	Electric energy meter 2 (Local supply)
IN10	Heat meter (Local supply)
IN11	Smart grid ready input (Local supply)
IN12	Smart grid ready input (Local supply)
INA1	Flow sensor
FLOW TEMP. CONTROLLER (FTC)	
TBO.1-4	Terminal block <Outputs>
TBI.1-6	Terminal block <Signal Inputs, Thermistor>
F1	Fuse (IEC T10AL250V)
F2	Fuse (IEC T6.3AL250V)
SW1-6	DIP switch *See Table 3
X1-16	Relay
LED1	Power supply (FTC)
LED2	Power supply (Main remote controller)
LED3	Communication (FTC-Outdoor unit)
LED4	Reading or writing data to SD card
CNPWM	Pump speed control signal for MP1
CN108	SD card connector

- Symbols used in wiring diagram are, : connector, : terminal block. Function with asterisk (*) may not be available depending on model types.
- Indoor unit and outdoor unit connecting wires have polarities, make sure to match terminal numbers (S1, S2, S3) for correct wirings.
- Since the outdoor unit side electric wiring may change, be sure to check the outdoor unit electric wiring diagram for service.
- Refer to the installation manual for the water circulation diagrams of the models other than shown below.

Table 1 Signal Inputs

Name	Terminal block	Connector	Item	OFF (Open)	ON (Short)
IN1	TBI.1 7-8	—	Room thermostat 1 input *1	Refer to SW2-1 in <Table 4.3.1. DIP Switch Functions>	
IN2	TBI.1 5-6	—	Flow switch 1 input	Refer to SW2-2 in <Table 4.3.1. DIP Switch Functions>	
IN3	TBI.1 3-4	—	Flow switch 2 input (Zone1)	Refer to SW3-2 in <Table 4.3.1. DIP Switch Functions>	
IN4	TBI.1 1-2	—	Demand control input	Normal	Heat source OFF/Boiler operation *3
IN5	TBI.2 7-8	—	Outdoor thermostat input *2	Standard operation	Heater operation/Boiler operation *3
IN6	TBI.2 5-6	—	Room thermostat 2 input *1	Refer to SW3-1 in <Table 4.3.1. DIP Switch Functions>	
IN7	TBI.2 3-4	—	Flow switch 3 input (Zone2)	Refer to SW3-2 in <Table 4.3.1. DIP Switch Functions>	
IN8	TBI.3 7-8	—	Electric energy meter 1		
IN9	TBI.3 5-6	—	Electric energy meter 2		
IN10	TBI.2 1-2	—	Heat meter	Refer to installation manual.	
IN11	TBI.3 3-4	—	Smart grid ready input		
IN12	TBI.3 1-2	—	input		
INA1	TBI.4 1-3	CN1A	Flow sensor		

- Set the ON/OFF cycle time of the room thermostat for 10 minutes or more; otherwise the compressor may be damaged.
- If using outdoor thermostat for controlling operation of heaters, the lifetime of the heaters and related parts may be reduced.
- To turn on the boiler operation, use the main remote controller to select "Boiler" in "External input setting" screen in the service menu.

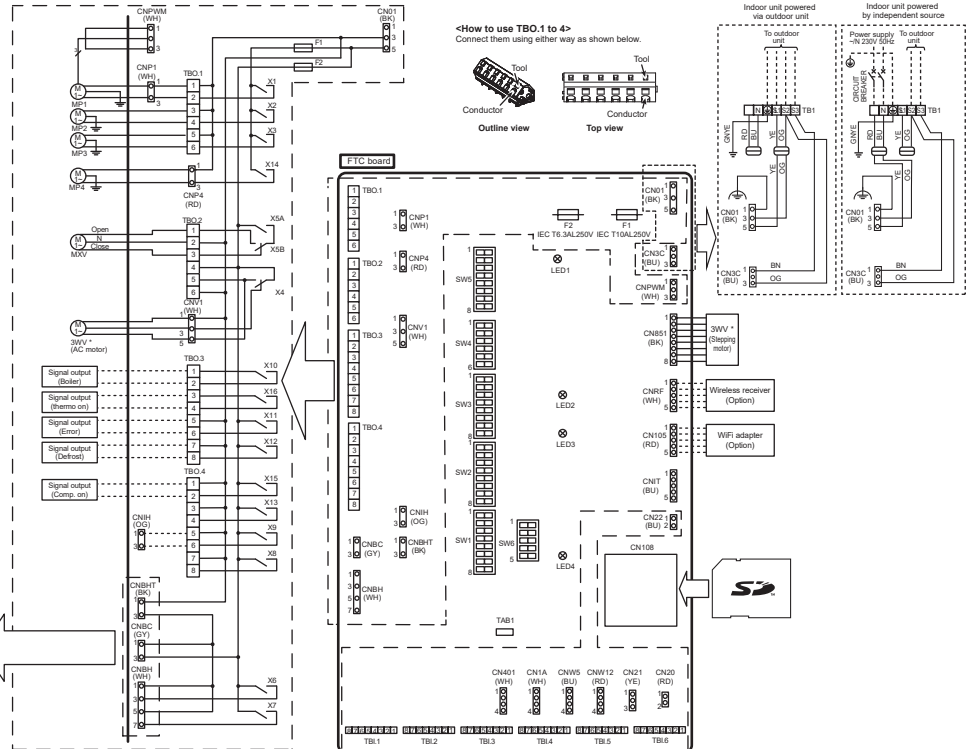
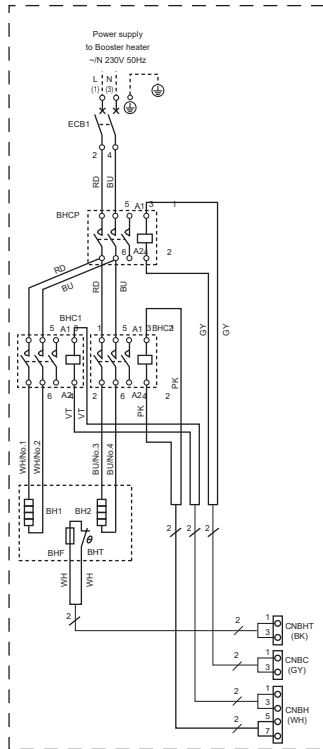
Table 2 Outputs

Name	Terminal block	Connector	Item	OFF	ON
OUT1	TBO.1 1-2	CNP1	Water circulation pump 1 output (Space heating/cooling & DHW)	OFF	ON
OUT2	TBO.1 3-4	—	Water circulation pump 2 output (Space heating/cooling for Zone1)	OFF	ON
OUT3	TBO.1 5-6	—	Water circulation pump 3 output (Space heating/cooling for Zone2) *1	OFF	ON
OUT4	TBO.2 4-6	CNV1	3-way valve (2-way valve) output	Heating	DHW
OUT5	TBO.2 1-2	—	3-way valve output		
OUT6	TBO.2 2-3	—	Mixing valve output *1	Stop	Close Open
OUT8	TBO.4 7-8	—	Booster heater 1 output	OFF	ON
OUT7	—	—	Booster heater 2 output	OFF	ON
OUT8	TBO.4 7-8	—	Cooling signal output	OFF	ON
OUT9	TBO.4 5-6	CNIH	Immersion heater output	OFF	ON
OUT10	TBO.3 1-2	—	Boiler output	OFF	ON
OUT11	TBO.3 5-6	—	Error output	Normal	Error
OUT12	TBO.3 7-8	—	Defrost output	Normal	Defrost
OUT13	TBO.4 3-4	—	2-way valve 2a output *2	OFF	ON
OUT14	—	CNP4	Water circulation pump 4 output (DHW)	OFF	ON
OUT15	TBO.4 1-2	—	Comp. ON signal	OFF	ON
OUT16	TBO.3 3-4	—	Thermo ON signal	OFF	ON
OUTA1	TBI.4 7-8	—	Analog output	0V-10V	

Do not connect to the terminals that are indicated as "—" in the "Terminal block" field.
*1. For 2-zone temperature control. *2. For 2-zone valve ON/OFF control.

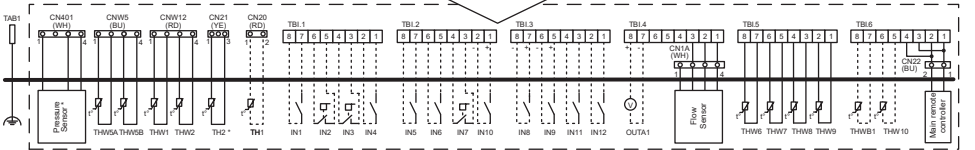
4 Cylinder unit

ER*T***-VM6BD



[LEGEND]

Symbol	Name
TB1	Terminal block <Power supply, Outdoor unit>
ECB1	Earth leakage circuit breaker for booster heater
ECB2	Earth leakage circuit breaker for immersion heater (Option)
MP1	Water circulation pump 1 (Space heating and DHW)
MP2	Water circulation pump 2 (Space heating for Zone1)
MP3	Water circulation pump 3 (Space heating for Zone2)
MP4	Water circulation pump 4 (DHW)
3WV	3-way valve (AC motor) (E*PT20/30X-M**D, E*ST**C/30D-M**D) 3-way valve (Stepping motor) (E*PT17X-M**D, E*ST17/20D-M**D)
MXV	Mixing valve
IHT	Thermostat (fixed temp.) for immersion heater (Option)
IH	Immersion heater (Option)
IHC	Contact for immersion heater (Option)
TH1	Thermistor (Room temp.) (Option)
TH2	Thermistor (Ref. liquid temp.)
THW1	Thermistor (Flow water temp.)
THW2	Thermistor (Return water temp.)
THW5A	Thermistor (DHW tank upper water temp.)
THW5B	Thermistor (DHW tank lower water temp.)
THW6	Thermistor (Zone1 flow temp.)
THW7	Thermistor (Zone1 return temp.)
THW8	Thermistor (Zone2 flow temp.)
THW9	Thermistor (Zone2 return temp.)
THW10	Thermistor (Mixing tank temp.) (Option)
THWB1	Thermistor (Boiler flow temp.) (Option)
IN1	Room thermostat 1 (Local supply)
IN2	Flow switch 1 (Local supply)
IN3	Flow switch 2 (Local supply)
IN4	Demand control (Local supply)
IN5	Outdoor thermostat (Local supply)
IN6	Room thermostat 2 (Local supply)
IN7	Flow switch 3 (Local supply)
IN8	Electric energy meter 1 (Local supply)
IN9	Electric energy meter 2 (Local supply)
IN10	Heat meter (Local supply)
IN11	Smart grid ready input (Local supply)
IN12	Smart grid ready input (Local supply)
INA1	Flow sensor
FLOW TEMP. CONTROLLER (FTC)	
TBO.1-4 Terminal block <Outputs>	
TB1.1-6	Terminal block <Signal Inputs, Thermistor>
F1	Fuse (IEC T10AL250V)
F2	Fuse (IEC T6.3AL250V)
SW1-6	DIP switch *See Table 3
X1-16	Relay
LED1	Power supply (FTC)
LED2	Power supply (Main remote controller)
LED3	Communication (FTC-Outdoor unit)
LED4	Reading or writing data to SD card
CNPWM	Pump speed control signal for MP1
CN108	SD card connector



- Symbols used in wiring diagram are: connector, terminal block. Function with asterisk (*) may not be available depending on model types.
- Indoor unit and outdoor unit connecting wires have polarities, make sure to match terminal numbers (S1, S2, S3) for correct wirings.
- Since the outdoor unit side electric wiring may change, be sure to check the outdoor unit electric wiring diagram for service.
- Refer to the installation manual for the water circulation diagrams of the models other than shown below.

Table 1 Signal Inputs

Name	Terminal block	Connector	Item	OFF (Open)	ON (Short)
IN1	TB1.1 7-8	—	Room thermostat 1 input *1	Refer to SW2-1 in <Table 4.3.1 DIP Switch Functions>	
IN2	TB1.1 5-6	—	Flow switch 1 input	Refer to SW2-2 in <Table 4.3.1 DIP Switch Functions>	
IN3	TB1.1 3-4	—	Flow switch 2 input (Zone1)	Refer to SW3-2 in <Table 4.3.1 DIP Switch Functions>	
IN4	TB1.1 1-2	—	Demand control input	Normal	Heat source OFF/Boiler operation *3
IN5	TB1.2 7-8	—	Outdoor thermostat input *2	Standard operation	Heater operation/Boiler operation *3
IN6	TB1.2 5-6	—	Room thermostat 2 input *1	Refer to SW3-1 in <Table 4.3.1 DIP Switch Functions>	
IN7	TB1.2 3-4	—	Flow switch 3 input (Zone2)	Refer to SW3-2 in <Table 4.3.1 DIP Switch Functions>	
IN8	TB1.3 7-8	—	Electric energy meter 1		
IN9	TB1.3 5-6	—	Electric energy meter 2		
IN10	TB1.2 1-2	—	Heat meter		
IN11	TB1.3 3-4	—	Smart grid ready		
IN12	TB1.3 1-2	—	input		
INA1	TB1.4 1-3	CN1A	Flow sensor		

- Set the ON/OFF cycle time of the room thermostat for 10 minutes or more; otherwise the compressor may be damaged.
- If using outdoor thermostat for controlling operation of heaters, the lifetime of the heaters and related parts may be reduced.
- To turn on the boiler operation, use the main remote controller to select "Boiler" in "External input setting" screen in the service menu.

Table 2 Outputs

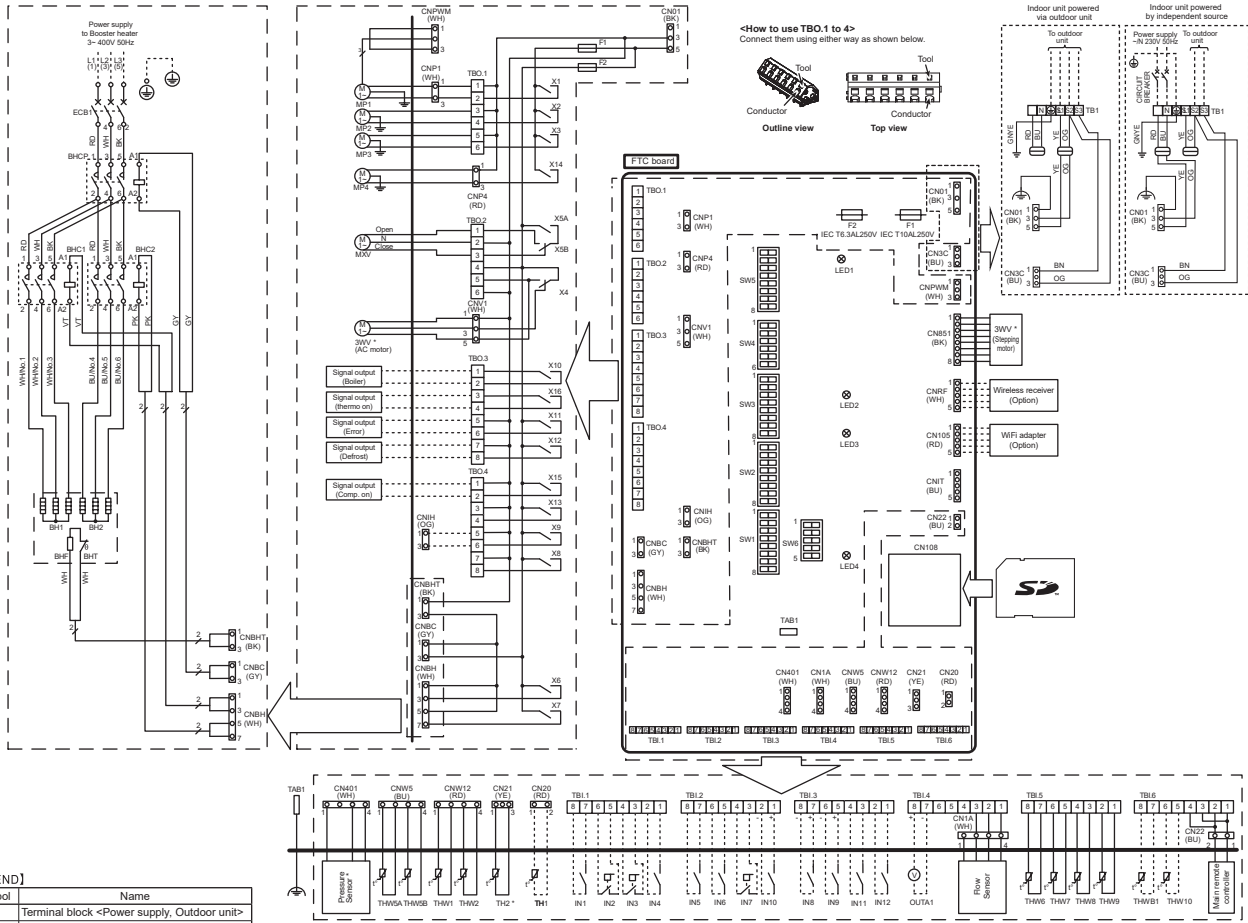
Name	Terminal block	Connector	Item	OFF	ON
OUT1	TBO.1 1-2	CNP1	Water circulation pump 1 output (Space heating/cooling & DHW)	OFF	ON
OUT2	TBO.1 3-4	—	Water circulation pump 2 output (Space heating/cooling for Zone1)	OFF	ON
OUT3	TBO.1 5-6	—	Water circulation pump 3 output (Space heating/cooling for Zone2) *1	OFF	ON
OUT4	TBO.2 4-6	CNP1	3-way valve (2-way valve) output	Heating	DHW
OUT5	TBO.2 1-2	—	Mixing valve output *1	Stop	Close
OUT6	TBO.2 2-3	—	Booster heater 1 output	OFF	ON
OUT7	—	DNH13	Booster heater 2 output	OFF	ON
OUT8	TBO.4 7-8	—	Cooling signal output	OFF	ON
OUT9	TBO.4 5-6	CNH1	Immersion heater output	OFF	ON
OUT10	TBO.3 1-2	—	Boiler output	OFF	ON
OUT11	TBO.3 5-6	—	Error output	Normal	Error
OUT12	TBO.3 7-8	—	Defrost output	Normal	Defrost
OUT13	TBO.4 3-4	—	2-way valve 2a output *2	OFF	ON
OUT14	—	CNP4	Water circulation pump 4 output (DHW)	OFF	ON
OUT15	TBO.4 1-2	—	Comp. ON signal	OFF	ON
OUT16	TBO.3 3-4	—	Thermo ON signal	OFF	ON
OUTA1	TB1.4 7-8	—	Analog output	0V-10V	

Do not connect to the terminals that are indicated as "—" in the "Terminal block" field.
 *1. For 2-zone temperature control. *2. For 2-zone valve ON/OFF control.

4 Cylinder unit

ER*T***-YM9BD

Cylinder unit
Hydrobox/GSHP/WTW



(LEGEND)

Symbol	Name
TB1	Terminal block <Power supply, Outdoor unit>
ECB1	Earth leakage circuit breaker for booster heater
ECB2	Earth leakage circuit breaker for immersion heater (Option)
MP1	Water circulation pump 1 (Space heating and DHW)
MP2	Water circulation pump 2 (Space heating for Zone1)
MP3	Water circulation pump 3 (Space heating for Zone2)
MP4	Water circulation pump 4 (DHW)
3WV	3-way valve (AC motor) (E*P T20/30X-M**D, E*ST-C/30D-M**D) 3-way valve (Stepping motor) (E*P T17X-M**D, E*ST17/20D-M**D)
MXV	Mixing valve
IHT	Thermostat (fixed temp.) for immersion heater (Option)
IH	Immersion heater (Option)
IHC	Contactor for immersion heater (Option)
TH1	Thermistor (Room temp.) (Option)
TH2	Thermistor (Ref. liquid temp.)
THW1	Thermistor (Flow water temp.)
THW2	Thermistor (Return water temp.)
THW5A	Thermistor (DHW tank upper water temp.)
THW5B	Thermistor (DHW tank lower water temp.)
THW6	Thermistor (Zone1 flow temp.)
THW7	Thermistor (Zone1 return temp.)
THW8	Thermistor (Zone2 flow temp.)
THW9	Thermistor (Zone2 return temp.)
THW10	Thermistor (Mixing tank temp.) (Option)
THWB1	Thermistor (Boiler flow temp.) (Option)
IN1	Room thermostat 1 (Local supply)
IN2	Flow switch 1 (Local supply)
IN3	Flow switch 2 (Local supply)
IN4	Demand control (Local supply)
IN5	Outdoor thermostat (Local supply)
IN6	Room thermostat 2 (Local supply)
IN7	Flow switch 3 (Local supply)
IN8	Electric energy meter 1 (Local supply)
IN9	Electric energy meter 2 (Local supply)
IN10	Heat meter (Local supply)
IN11	Smart grid ready input (Local supply)
IN12	Smart grid ready input (Local supply)
INA1	Flow sensor
FLOW TEMP. CONTROLLER (FTC)	
TBO.1-4	Terminal block <Outputs>
TBI.1-6	Terminal block <Signal Inputs, Thermistor>
F1	Fuse (IEC T10AL250V)
F2	Fuse (IEC T6.3AL250V)
SW1-6	DIP switch *See Table 3
X1-16	Relay
LED1	Power supply (FTC)
LED2	Power supply (Main remote controller)
LED3	Communication (FTC-Outdoor unit)
LED4	Reading or writing data to SD card
CNP1W	Pump speed control signal for MP1
CN108	SD card connector

1. Symbols used in wiring diagram are: []: connector, []: terminal block. Function with asterisk (*) may not be available depending on model types.
2. Indoor unit and outdoor unit connecting wires have polarities, make sure to match terminal numbers (S1, S2, S3) for correct wirings.
3. Since the outdoor unit side electric wiring may change, be sure to check the outdoor unit electric wiring diagram for service.
4. Refer to the installation manual for the water circulation diagrams of the models other than shown below.

Table 1 Signal Inputs

Name	Terminal block	Connector	Item	OFF (Open)	ON (Short)
IN1	TBI.1 7-8	—	Room thermostat 1 input *1	Refer to SW2-1 in < Table 4.3.1 DIP Switch Functions >.	
IN2	TBI.1 5-6	—	Flow switch 1 input	Refer to SW2-2 in < Table 4.3.1 DIP Switch Functions >.	
IN3	TBI.1 3-4	—	Flow switch 2 input (Zone1)	Refer to SW3-1 in < Table 4.3.1 DIP Switch Functions >.	
IN4	TBI.1 1-2	—	Demand control input	Normal	Heat source OFF/Boiler operation *3
IN5	TBI.2 7-8	—	Outdoor thermostat input *2	Standard operation	Heater operation/Boiler operation *3
IN6	TBI.2 5-6	—	Room thermostat 2 input *1	Refer to SW3-1 in < Table 4.3.1 DIP Switch Functions >.	
IN7	TBI.2 3-4	—	Flow switch 3 input (Zone2)	Refer to SW3-2 in < Table 4.3.1 DIP Switch Functions >.	
IN8	TBI.3 7-8	—	Electric energy meter 1		
IN9	TBI.3 5-6	—	Electric energy meter 2		
IN10	TBI.2 1-2	—	Heat meter	Refer to installation manual.	
IN11	TBI.3 3-4	—	Smart grid ready		
IN12	TBI.3 1-2	—	input		
INA1	TBI.4 1-3	CN1A	Flow sensor		

- *1. Set the ON/OFF cycle time of the room thermostat for 10 minutes or more; otherwise the compressor may be damaged.
- *2. If using outdoor thermostat for controlling operation of heaters, the lifetime of the heaters and related parts may be reduced.
- *3. To turn on the boiler operation, use the main remote controller to select "Boiler" in "External input setting" screen in the service menu.

Table 2 Outputs

Name	Terminal block	Connector	Item	OFF	ON
OUT1	TBO.1 1-2	CNP1	Water circulation pump 1 output (Space heating/cooling & DHW)	OFF	ON
OUT2	TBO.1 3-4	—	Water circulation pump 2 output (Space heating/cooling for Zone1)	OFF	ON
OUT3	TBO.1 5-6	—	Water circulation pump 3 output (Space heating/cooling for Zone2) *1	OFF	ON
OUT4	TBO.2 4-6	CNV1	3-way valve (2-way valve) output		
		CN851	3-way valve output	Heating	DHW
OUT5	TBO.2 1-2	—	Mixing valve output *1	Stop	Close
OUT6	TBO.2 2-3	—		Open	
OUT7	—	DNB13	Booster heater 1 output	OFF	ON
OUT8	—	DNB15	Booster heater 2 output	OFF	ON
OUT9	TBO.4 7-8	CNIH	Cooling signal output	OFF	ON
OUT10	TBO.4 5-6	CNIH	Immersion heater output	OFF	ON
OUT11	TBO.3 1-2	—	Boiler output	OFF	ON
OUT12	TBO.3 5-6	—	Error output	Normal	Error
OUT13	TBO.3 7-8	—	Defrost output	Normal	Defrost
OUT14	TBO.4 3-4	—	2-way valve 2a output *2	OFF	ON
OUT15	—	CNP4	Water circulation pump 4 output (DHW)	OFF	ON
OUT16	TBO.4 1-2	—	Comp. ON signal	OFF	ON
OUT17	TBO.3 3-4	—	Thermo ON signal	OFF	ON
OUTA1	TBI.4 7-8	—	Analog output	0V-10V	

Do not connect to the terminals that are indicated as "-" in the "Terminal block" field.
*1. For 2-zone temperature control. *2. For 2-zone valve ON/OFF control.

4 Cylinder unit

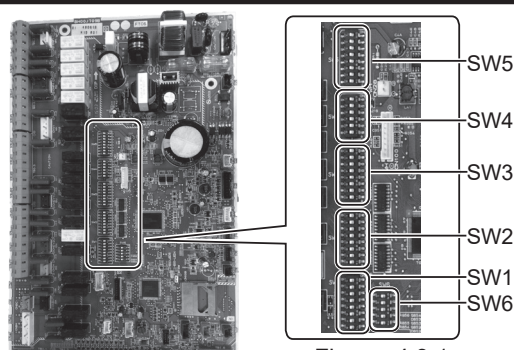
4.3 Dip switch functions

The DIP switch number is printed on the circuit board next to the relevant switches. The word ON is printed on the circuit board and on the DIP switch block itself. To move the switch you need to use a pin or the corner of a thin metal ruler or similar.

DIP switch settings are listed below in Table 4.3.1.

Only an authorised installer can change DIP switch setting under one's own responsibility according to the installation condition.

Make sure to turn off both indoor unit and outdoor unit power supplies before changing the switch settings.



<Figure 4.3.1>

DIP switch	Function	OFF	ON	Default settings: Indoor model name				
SW1	SW1-1 Boiler	WITHOUT Boiler	WITH Boiler	OFF				
	SW1-2 Heat pump maximum outlet water temperature	55°C	60°C	ON ¹				
	SW1-3 DHW tank	WITHOUT DHW tank	WITH DHW tank	ON				
	SW1-4 Immersion heater	WITHOUT Immersion heater	WITH Immersion heater	OFF: Except EHPT20X-MHEDW ON : EHPT20X-MHEDW				
	SW1-5 Booster heater	WITHOUT Booster heater	WITH Booster heater	OFF: E**T***-M**D* ON : E**T***-M 2/6/9*D				
	SW1-6 Booster heater function	For heating only	For heating and DHW	OFF: E**T***-M**D* ON : E**T***-M 2/6/9*D				
	SW1-7 Outdoor unit type	Split type	Packaged type	OFF: E*ST***-M**D ON : E*PT***-M**D*				
	SW1-8 Wireless remote controller	WITHOUT Wireless remote controller	WITH Wireless remote controller	OFF				
SW2	SW2-1 Room thermostat1 input (IN1) logic change	Zone1 operation stop at thermostat short	Zone1 operation stop at thermostat open	OFF				
	SW2-2 Flow switch1 input (IN2) logic change	Failure detection at short	Failure detection at open	OFF				
	SW2-3 Booster heater capacity restriction	Inactive	Active	OFF: Except E**T***-VM2*D ON : E**T***-VM2*D				
	SW2-4 Cooling mode function	Inactive	Active	OFF: EH*T***-M**D* ON : ER*T***-M**D				
	SW2-5 Automatic switch to backup heat source operation (When outdoor unit stops by error)	Inactive	Active ²	OFF				
	SW2-6 Mixing tank	WITHOUT Mixing tank	WITH Mixing tank	OFF: Except E*ST***-M*BD ON : E*ST***-M*BD				
	SW2-7 2-zone temperature control	Inactive	Active ³					
	SW2-8 Flow sensor	WITHOUT Flow sensor	WITH Flow sensor	ON				
SW3	SW3-1 Room thermostat 2 input (IN6) logic change	Zone2 operation stop at thermostat short	Zone2 operation stop at thermostat open	OFF				
	SW3-2 Flow switch 2 and 3 input logic change	Failure detection at short	Failure detection at open	OFF				
	SW3-3 3-way valve type	AC motor	Stepping motor	OFF: E*PT20/30X-M**D* E*ST**C/30D-*M**D ON : E*PT17X-*M**D* E*ST17/20D-*M**D				
	SW3-4 Electric energy meter	WITHOUT Electric energy meter	WITH Electric energy meter	OFF				
	SW3-5 Heating mode function ⁴	Inactive	Active	ON				
	SW3-6 2-zone valve ON/OFF control	Inactive	Active	OFF				
	SW3-7 Heat exchanger for DHW	Coil in tank	External plate HEX	ON				
	SW3-8 Heat meter	WITHOUT Heat meter	WITH Heat meter	OFF				
SW4	SW4-1	—	—	OFF				
	SW4-2	—	—	OFF				
	SW4-3	—	—	OFF				
	SW4-4 Indoor unit only operation (during installation work) ⁵	Inactive	Active	OFF				
	SW4-5 Emergency mode (Heater only operation)	Normal	Emergency mode (Heater only operation)	OFF ⁶				
	SW4-6 Emergency mode (Boiler operation)	Normal	Emergency mode (Boiler operation)	OFF ⁶				
SW5	SW5-1	—	—	OFF				
	SW5-2 Advanced auto adaptation	Inactive	Active	ON				
	SW5-3	Capacity code						
	SW5-4		SW5-3	SW5-4	SW5-5	SW5-6	SW5-7	
	SW5-5	E*ST**C-*M**D	ON	ON	ON	ON	OFF	
	SW5-6	E*ST**D-*M**D	ON	OFF	OFF	ON	OFF	
	SW5-7	E**T***X-*M**D*	OFF	OFF	OFF	OFF	OFF	
	SW5-8	—	—	—	—	—	—	OFF
SW6	SW6-1	—	—	OFF				
	SW6-2	—	—	OFF				
	SW6-3 Pressure sensor	Inactive	Active	OFF: Except E*ST**D-*M**D ON : E*ST**D-*M**D				
	SW6-4 Analog output signal	Inactive	Active	OFF				
	SW6-5	—	—	—	OFF			

<Table 4.3.1>

- Notes:
- *1. When the cylinder unit is connected with a PUMY-P and PXZ outdoor unit of which maximum outlet water temperature is 55°C, DIP SW1-2 must be changed to OFF.
 - *2. External output (OUT11) will be available. For safety reasons, this function is not available for certain errors. (In that case, system operation must be stopped and only the water circulation pump keeps running.)
 - *3. Active only when SW3-6 is set to OFF.
 - *4. This switch functions only when the cylinder unit is connected with a PUHZ-FRP outdoor unit. When another type of outdoor unit is connected, the heating mode function is active regardless of the fact that this switch is ON or OFF.
 - *5. Space heating and DHW can be operated only in indoor unit, like an electric heater. (Refer to "4.4.4 Indoor unit only operation".)
 - *6. If emergency mode is no longer required, return the switch to OFF position.

4 Cylinder unit

4.4 Field wiring

4.4.1 Electrical Connection

All electrical work should be carried out by a suitably qualified technician. Failure to comply with this could lead to electrocution, fire, and death. It will also invalidate product warranty. All wiring should be according to national wiring regulations.

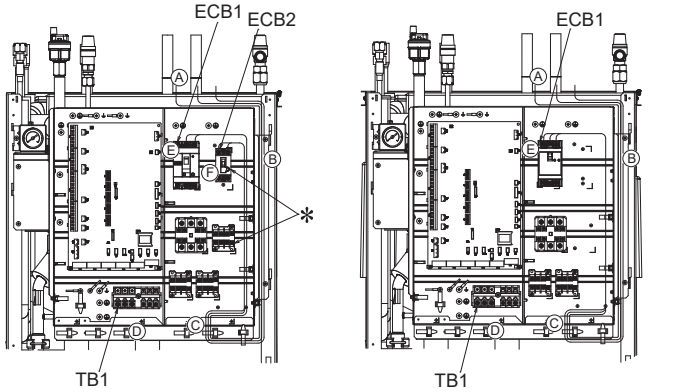
The cylinder unit can be powered in two ways.

1. Power cable is run from the outdoor unit to the cylinder unit.
2. Cylinder unit has independent power source

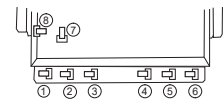
Connections should be made to the terminals indicated in the figures to the left below depending on the phase.

Booster heater and immersion heater should be connected independently from one another to dedicated power supplies.

Breaker abbreviation	Meaning
ECB1	Earth leakage circuit breaker for booster heater
ECB2	Earth leakage circuit breaker for immersion heater
TB1	Terminal block 1



- Ⓐ Locally supplied wiring should be inserted through the inlets situated on the top of the cylinder unit. (Refer to <Table 4.1.1>.)
- Ⓑ Wiring should be fed down the right hand side of the control and electrical box and clamped in place using clips provided.
- Ⓒ The wires should be inserted individually through the cable inlets as below.
 - ② Outputs wire
 - ③ Indoor-Outdoor wire
 - ⑤ Power line(B.H.)/ Power line(I.H.)(Option)
 - ⑦ Signal input wires
- Ⓓ Connect the outdoor unit – cylinder unit connecting cable to TB1.
- Ⓔ Connect the power cable for the booster heater to ECB1.
- Ⓕ If immersion heater is present, connect the power cable to ECB2.



- Avoid contact between wiring and parts (*).
- Make sure that ECB1 and ECB2 are ON.
- On completion of wiring ensure main remote controller cable is connected to the relay connector.

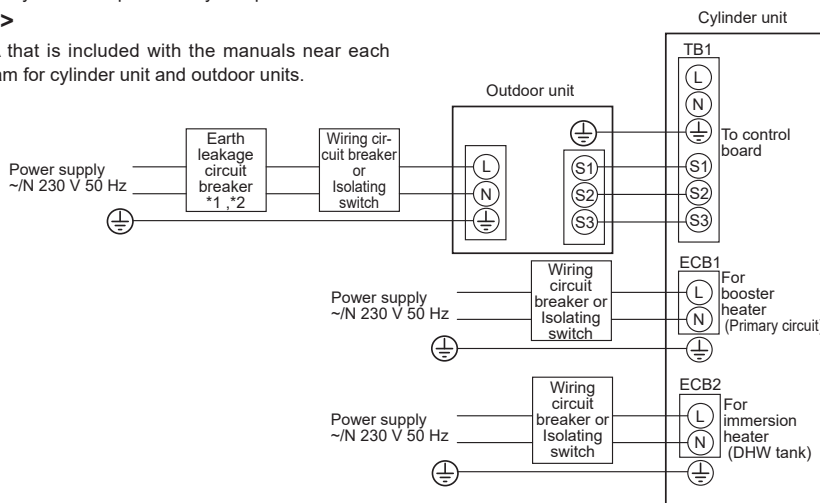
■ Option 1: Cylinder unit powered via outdoor unit

PXZ model is not available.

The model is Cylinder unit powered by independent source ONLY.

<1 phase>

Affix label A that is included with the manuals near each wiring diagram for cylinder unit and outdoor units.



- *1. If the installed earth leakage circuit breaker does not have an over-current protection function, install a breaker with that function along the same power line.
- *2. A breaker with at least 3.0 mm contact separation in each pole shall be provided. Use earth leakage breaker (NV). The breaker shall be provided to ensure disconnection of all active phase conductors of the supply.
- *3. Max. 45 m
If 2.5 mm² used, Max. 50 m
If 2.5 mm² used and S3 separated, Max. 80 m
- *4. The values given in the table above are not always measured against the ground value.

<Figure 4.4.1>
Electrical connections 1 phase

Description	Power supply	Capacity	Breaker	Wiring
Booster heater (Primary circuit)	~N 230 V 50 Hz	2 kW	16 A *2	2.5 mm ²
		6 kW	32 A *2	6.0 mm ²
Immersion heater (DHW tank)	~N 230 V 50 Hz	3 kW	16 A *2	2.5 mm ²

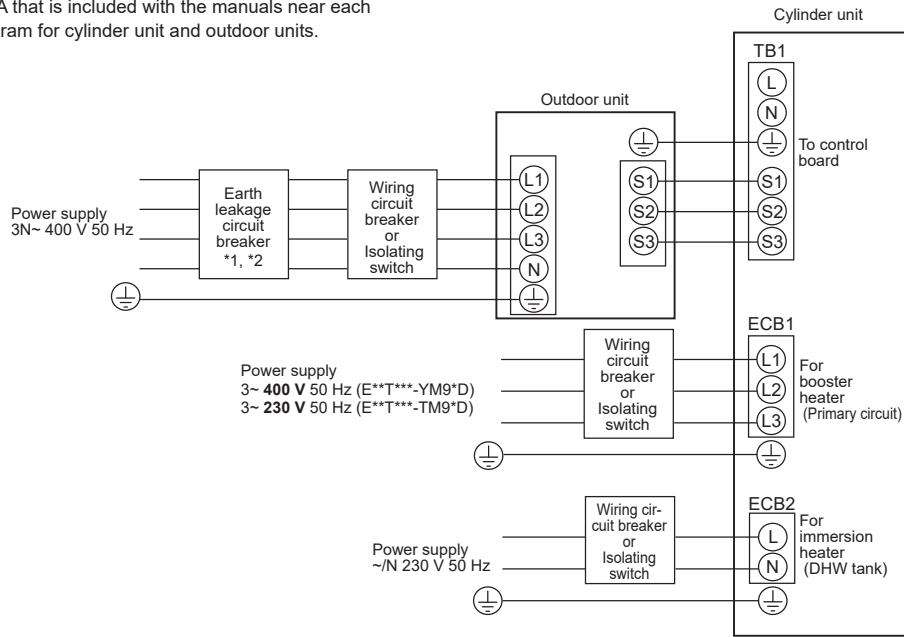
Wiring Wiring No. x size (mm ²)	Cylinder unit - Outdoor unit	*3	3 x 1.5 (polar)
	Cylinder unit - Outdoor unit earth	*3	1 x Min. 1.5
Circuit rating	Cylinder unit - Outdoor unit S1 - S2	*4	230 V AC
	Cylinder unit - Outdoor unit S2 - S3	*4	24 V DC

- Notes:
1. Wiring size must comply with the applicable local and national codes.
 2. Indoor unit/outdoor unit connecting cords shall not be lighter than polychloroprene sheathed flexible cord. (Design 60245 IEC 57)
Indoor unit power supply cords shall not be lighter than polychloroprene sheathed flexible cord. (Design 60227 IEC 53)
 3. Install an earth longer than other cables.
 4. Please keep enough output capacity of power supply for each heater. Insufficient power supply capacity might cause chattering.

4 Cylinder unit

<3 phase>

Affix label A that is included with the manuals near each wiring diagram for cylinder unit and outdoor units.



<Figure 4.4.2>
Electrical connections 3 phase

Description	Power supply	Capacity (Indoor unit Ref.)	Breaker	Wiring
Booster heater (Primary circuit)	3~ 400 V 50 Hz	9 kW	16 A *2	2.5 mm ²
	3~ 230 V 50 Hz	9 kW	32 A *2	6.0 mm ²
Immersion heater (DHW tank)	~/N 230 V 50 Hz	3 kW	16 A *2	2.5 mm ²

Wiring Wiring No. × size (mm ²)	Cylinder unit - Outdoor unit	*3	3 × 1.5 (polar)
	Cylinder unit - Outdoor unit earth	*3	1 × Min. 1.5
Circuit rating	Cylinder unit - Outdoor unit S1 - S2	*4	230 V AC
	Cylinder unit - Outdoor unit S2 - S3	*4	24 V DC

- *1. If the installed earth leakage circuit breaker does not have an over-current protection function, install a breaker with that function along the same power line.
- *2. A breaker with at least 3.0 mm contact separation in each pole shall be provided. Use earth leakage breaker (NV).
The breaker shall be provided to ensure disconnection of all active phase conductors of the supply.
- *3. Max. 45 m
If 2.5 mm² used, Max. 50 m
If 2.5 mm² used and S3 separated, Max. 80 m
- *4. The values given in the table above are not always measured against the ground value.

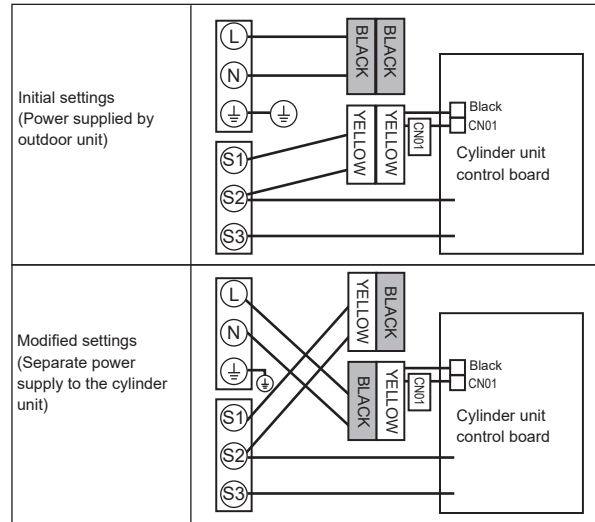
- Notes:**
1. Wiring size must comply with the applicable local and national codes.
 2. Indoor unit/outdoor unit connecting cords shall not be lighter than polychloroprene sheathed flexible cord. (Design 60245 IEC 57)
Indoor unit power supply cords shall not be lighter than polychloroprene sheathed flexible cord. (Design 60227 IEC 53)
 3. Install an earth longer than other cables.
 4. Please keep enough output capacity of power supply for each heater. Insufficient power supply capacity might cause chattering.

4 Cylinder unit

Option 2: Cylinder unit powered by independent source

If the cylinder unit and outdoor unit have separate power supplies, the following requirements MUST be carried out:

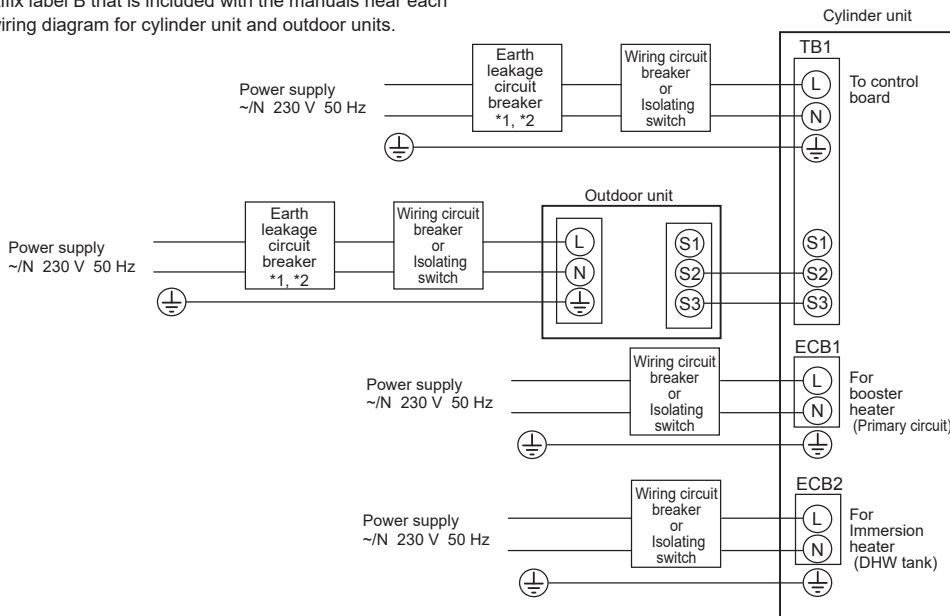
- Change the interconnected wiring in the control and electrical box of the cylinder unit (see Figure 4.4.3)
- Turn the outdoor unit DIP switch SW8-3 to ON
- Turn on the outdoor unit BEFORE the cylinder unit.
- Power by independent source is not available for particular models of outdoor unit model. For more detail, refer to the connecting outdoor unit Installation Manual.



<Figure 4.4.3>

<1 phase>

Affix label B that is included with the manuals near each wiring diagram for cylinder unit and outdoor units.



<Figure 4.4.4>
Electrical connections 1 phase

Description	Power supply	Capacity	Breaker	Wiring
Booster heater (Primary circuit)	~N 230 V 50 Hz	2 kW	16 A *2	2.5 mm ²
		6 kW	32 A *2	6.0 mm ²
Immersion heater (DHW tank)	~N 230 V 50 Hz	3 kW	16 A *2	2.5 mm ²

Cylinder unit power supply		~N 230 V 50 Hz		
Cylinder unit input capacity	*2	16 A		
Main switch (Breaker)				
Wiring Wiring No. × size (mm ²)	Cylinder unit power supply	2 × Min. 1.5		
	Cylinder unit power supply earth	1 × Min. 1.5		
	Cylinder unit - Outdoor unit	*3	2 × Min. 0.3	
	Cylinder unit - Outdoor unit earth		—	
Circuit rating	Cylinder unit L - N	*4	230 V AC	
	Cylinder unit - Outdoor unit S1 - S2	*4	—	
	Cylinder unit - Outdoor unit S2 - S3	*4	24 V DC	

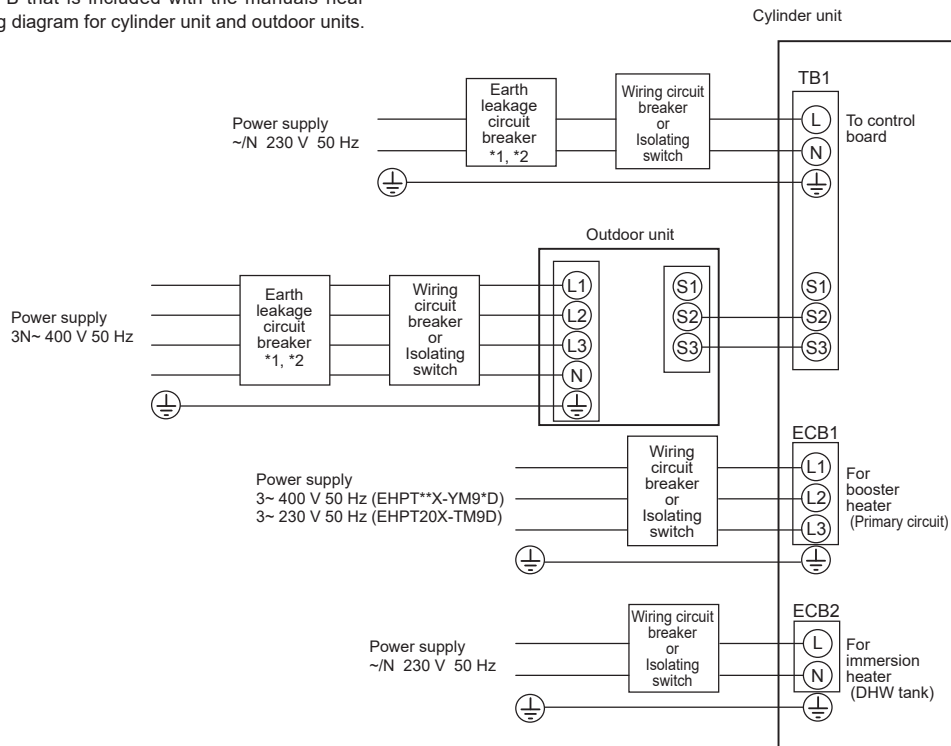
- *1. If the installed earth leakage circuit breaker does not have an over-current protection function, install a breaker with that function along the same power line.
- *2. A breaker with at least 3.0 mm contact separation in each pole shall be provided. Use earth leakage breaker (NV).
The breaker shall be provided to ensure disconnection of all active phase conductors of the supply.
- *3. Max. 120 m
- *4. The values given in the table above are not always measured against the ground value.

- Note:**
1. Wiring size must comply with the applicable local and national codes.
 2. Indoor unit/outdoor unit connecting cords shall not be lighter than polychloroprene sheathed flexible cord. (Design 60245 IEC 57)
Indoor unit power supply cords shall not be lighter than polychloroprene sheathed flexible cord. (Design 60227 IEC 53)
 3. Install an earth longer than other cables.
 4. Please keep enough output capacity of power supply for each heater. Insufficient power supply capacity might cause chattering.

4 Cylinder unit

<3 phase>

Affix label B that is included with the manuals near each wiring diagram for cylinder unit and outdoor units.



<Figure 4.4.5>
Electrical connections 3 phase

Description	Power supply	Capacity (Indoor unit Ref.)	Breaker	Wiring
Booster heater (Primary circuit)	3~ 400 V 50 Hz	9 kW	16 A *2	2.5 mm ²
	3~ 230 V 50 Hz	9 kW	32 A *2	6.0 mm ²
Immersion heater (DHW tank)	~N 230 V 50 Hz	3 kW	16 A *2	2.5 mm ²

Cylinder unit power supply		~N 230 V 50 Hz
Cylinder unit input capacity		
Main switch (Breaker)		*2 16 A
Wiring Wiring No. × size (mm ²)	Cylinder unit power supply	2 × Min. 1.5
	Cylinder unit power supply earth	1 × Min. 1.5
	Cylinder unit - Outdoor unit	*3 2 × Min. 0.3
	Cylinder unit - Outdoor unit earth	—
Circuit rating	Cylinder unit L - N	*4 230 V AC
	Cylinder unit - Outdoor unit S1 - S2	*4 —
	Cylinder unit - Outdoor unit S2 - S3	*4 24 V DC

*1. If the installed earth leakage circuit breaker does not have an over-current protection function, install a breaker with that function along the same power line.

*2. A breaker with at least 3.0 mm contact separation in each pole shall be provided. Use earth leakage breaker (NV).
The breaker shall be provided to ensure disconnection of all active phase conductors of the supply.

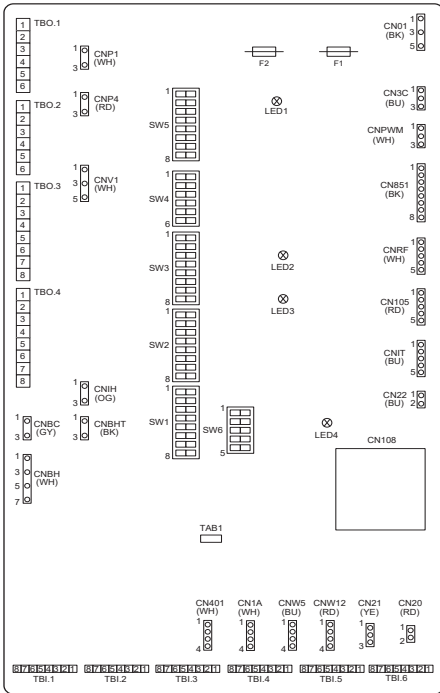
*3. Max. 120 m

*4. The values given in the table above are not always measured against the ground value.

- Note:**
1. Wiring size must comply with the applicable local and national codes.
 2. Indoor unit/outdoor unit connecting cords shall not be lighter than polychloroprene sheathed flexible cord. (Design 60245 IEC 57)
Indoor unit power supply cords shall not be lighter than polychloroprene sheathed flexible cord. (Design 60227 IEC 53)
 3. Install an earth longer than other cables.
 4. Please keep enough output capacity of power supply for each heater. Insufficient power supply capacity might cause chattering.

4 Cylinder unit

4.4.2 Connecting inputs/outputs



<Figure 4.4.6>

Wiring specification and local supply parts

Item	Name	Model and specifications
Signal input function	Signal input wire	Use sheathed vinyl coated cord or cable. Max. 30 m Wire type: CV, CVS or equivalent Wire size: Stranded wire 0.13 mm ² to 0.52 mm ² Solid wire: ø0.4 mm to ø0.8 mm
	Switch	Non-voltage "a" contact signals Remote switch: minimum applicable load 12 V DC, 1 mA

Note:
Stranded wire should be processed with insulation-covered bar terminal (DIN46228-4 standard compatible type).

Signal inputs

Name	Terminal block	Connector	Item	OFF (Open)	ON (Short)
IN1	TBI.1 7-8	—	Room thermostat 1 input *1	Refer to SW2-1 in <4.3 Dip switch functions>.	
IN2	TBI.1 5-6	—	Flow switch 1 input	Refer to SW2-2 in <4.3 Dip switch functions>.	
IN3	TBI.1 3-4	—	Flow switch 2 input (Zone1)	Refer to SW3-2 in <4.3 Dip switch functions>.	
IN4	TBI.1 1-2	—	Demand control input	Normal	Heat source OFF/ Boiler operation *3
IN5	TBI.2 7-8	—	Outdoor thermostat input *2	Standard operation	Heater operation/ Boiler operation *3
IN6	TBI.2 5-6	—	Room thermostat 2 input *1	Refer to SW3-1 in <4.3 Dip switch functions>.	
IN7	TBI.2 3-4	—	Flow switch 3 input (Zone2)	Refer to SW3-2 in <4.3 Dip switch functions>.	
IN8	TBI.3 7-8	—	Electric energy meter 1	*4	
IN9	TBI.3 5-6	—	Electric energy meter 2		
IN10	TBI.2 1-2	—	Heat meter	*5	
IN11	TBI.3 3-4	—			
IN12	TBI.3 1-2	—	Smart grid ready input		
INA1	TBI.4 1-3	CN1A	Flow sensor	—	—

- *1. Set the ON/OFF cycle time of the room thermostat for 10 minutes or more; otherwise the compressor may be damaged.
- *2. If using outdoor thermostat for controlling operation of heaters, the lifetime of the heaters and related parts may be reduced.
- *3. To turn on the boiler operation, use the main remote controller to select "Boiler" in "External input setting" screen in the service menu.
- *4. Connectable electric energy meter and heat meter
 - Pulse type Voltage free contact for 12 VDC detection by FTC (TBI.2 1pin ,TBI.3 5 and 7 pins have a positive voltage.)
 - Pulse duration Minimum ON time: 40 ms
Minimum OFF time: 100 ms
 - Possible unit of pulse 0.1 pulse/kWh 1 pulse/kWh 10 pulse/kWh
100 pulse/kWh 1000 pulse/kWh

Those values can be set by the main remote controller. (Refer to the menu tree in "Main remote controller".)

*5. As for the SG ready, refer to section 4.7.

Thermistor inputs

Name	Terminal block	Connector	Item	Optional part model
TH1	—	CN20	Thermistor (Room temp.) (Option)	PAC-SE41TS-E
TH2	—	CN21	Thermistor (Ref. liquid temp.)	—
THW1	—	CNW12 1-2	Thermistor (Flow water temp.)	—
THW2	—	CNW12 3-4	Thermistor (Return water temp.)	—
THW5A	—	CNW5 1-2	Thermistor (DHW tank upper water temp.)	—
THW5B	—	CNW5 3-4	Thermistor (DHW tank lower water temp.)	—
THW6	TBI.5 7-8	—	Thermistor (Zone1 flow water temp.) (Option) *1	PAC-TH011-E
THW7	TBI.5 5-6	—	Thermistor (Zone1 return water temp.) (Option) *1	
THW8	TBI.5 3-4	—	Thermistor (Zone2 flow water temp.) (Option) *1	PAC-TH011-E
THW9	TBI.5 1-2	—	Thermistor (Zone2 return water temp.) (Option) *1	
THWB1	TBI.6 7-8	—	Thermistor (Boiler flow water temp.) (Option) *1	PAC-TH012HT-E(5 m)/
THW10	TBI.6 5-6	—	Thermistor (Mixing tank water temp.) (Option) *1	PAC-TH012HTL-E(30 m)

Ensure to wire thermistor wirings away from the power line and/or OUT1 to 16 wirings.

*1. The maximum length of the thermistor wiring is 30 m.

The length of the optional thermistors are 5 m. If you need to splice and extend the wirings, following points must be carried out.

- 1) Connect the wirings by soldering.
- 2) Insulate each connecting point against dust and water. Stranded wire should be processed with insulation-covered bar terminal (DIN46228-4 standard compatible type).

4 Cylinder unit

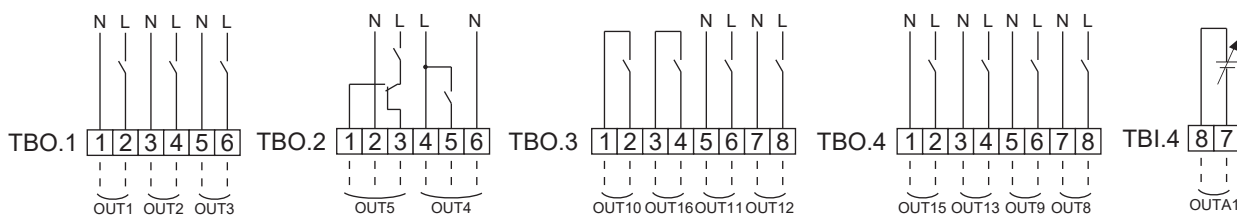
■ Outputs

Name	Terminal block	Connector	Item	OFF	ON	Signal/Max current	Max. total current
OUT1	TBO.1 1-2	CNP1	Water circulation pump 1 output (Space heating/cooling & DHW)	OFF	ON	230 V AC 1.0 A Max. (Inrush current 40 A Max.)	4.0 A (a)
OUT2	TBO.1 3-4	—	Water circulation pump 2 output (Space heating/cooling for Zone1)	OFF	ON	230 V AC 1.0 A Max. (Inrush current 40 A Max.)	
OUT3	TBO.1 5-6	—	Water circulation pump 3 output (Space heating/cooling for Zone2) *1 2-way valve 2b output *2	OFF	ON	230 V AC 1.0 A Max. (Inrush current 40 A Max.)	
OUT14	—	CNP4	Water circulation pump 4 output (DHW)	OFF	ON	230 V AC 1.0 A Max. (Inrush current 40 A Max.)	
OUT4	TBO.2 4-6	CNV1	3-way valve (2-way valve) output	Heating	DHW	230 V AC 0.1 A Max.	3.0 A (b)
	—	CN851	3-way valve output				
OUT5	TBO.2 1-2 TBO.2 2-3	—	Mixing valve output *1	Stop	Close Open	230 V AC 0.1 A Max.	
OUT6	—	CNBH 1-3	Booster heater 1 output	OFF	ON	230 V AC 0.5 A Max. (Relay)	
OUT7	—	CNBH 5-7	Booster heater 2 output	OFF	ON	230 V AC 0.5 A Max. (Relay)	
OUT8	TBO.4 7-8	—	Cooling signal output	OFF	ON	230 V AC 0.5 A Max.	
OUT9	TBO.4 5-6	CNIH	Immersion heater output	OFF	ON	230 V AC 0.5 A Max. (Relay)	
OUT11	TBO.3 5-6	—	Error output	Normal	Error	230 V AC 0.5 A Max.	
OUT12	TBO.3 7-8	—	Defrost output	Normal	Defrost	230 V AC 0.5 A Max.	
OUT13	TBO.4 3-4	—	2-way valve 2a output *2	OFF	ON	230 V AC 0.1 A Max.	
OUT15	TBO.4 1-2	—	Comp ON signal	OFF	ON	230 V AC 0.5 A Max.	
OUT10	TBO.3 1-2	—	Boiler output	OFF	ON	non-voltage contact ·220-240 V AC (30 V DC) ·0.5 A or less ·10 mA 5 V DC or more	—
OUT16	TBO.3 3-4	—	Heating/Cooling thermo ON signal	OFF	ON		—
OUTA1	TBI.4 7-8	—	Analog output	0 - 10 V		0 - 10 V DC 5 mA max.	—

Do not connect to the terminals that are indicated as “—” in the “Terminal block” field.

*1 For 2-zone temperature control.

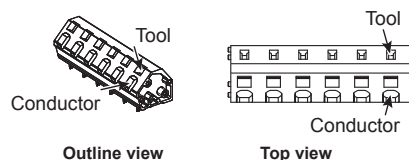
*2 For 2-zone valve ON/OFF control.



Wiring specification and local supply parts

Item	Name	Model and specifications
External output function	Outputs wire	Use sheathed vinyl coated cord or cable. Max. 30 m Wire type: CV, CVS or equivalent Wire size: Stranded wire 0.25 mm ² to 1.5 mm ² Solid wire: ø0.57 mm to ø1.2 mm

How to use TBO.1 to 4



Connect them using either way as shown above.

<Figure 4.4.7>

Notes:

- When the cylinder unit is powered via outdoor unit, the maximum grand total current of (a)+(b) is 3.0 A.
- Do not connect multiple water circulation pumps directly to each output (OUT1, OUT2, and OUT3). In such a case, connect them via (a) relay(s).
- Do not connect water circulation pumps to both TBO.1 1-2 and CNP1 at the same time.
- Connect an appropriate surge absorber to OUT10 (TBO.3 1-2) depending on the load at site.
- Stranded wire should be processed with insulation-covered bar terminal (DIN46228-4 standard compatible type).
- Use the same thing as the Signal input wire for OUTA1 wiring.

4 Cylinder unit

4.4.3 Wiring for 2-zone temperature control

Connect the pipe work and locally supplied parts according to the relevant circuit diagram shown "4.5.2 Local system".

<Mixing valve>

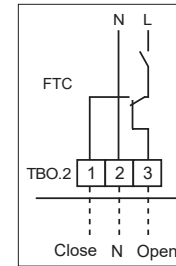
■ Except 2-zone cylinder

Connect the signal line to open Port A (hot water inlet port) to TBO. 2-3 (Open), the signal line to open Port B (cold water inlet port) to TBO. 2-1 (Close), and the neutral terminal wire to TBO. 2-2 (N).

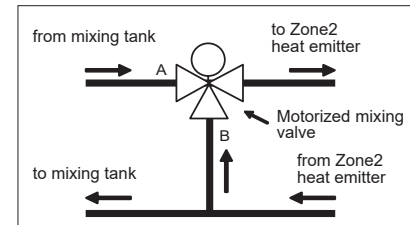
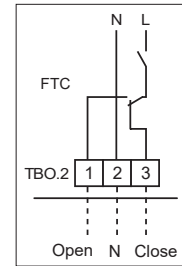
■ 2-zone cylinder

Connect the signal line to open Port A (hot water inlet port) to TBO. 2-3 (Close), the signal line to open Port B (cold water inlet port) to TBO. 2-1 (Open), and the neutral terminal wire to TBO. 2-2 (N).

Except 2-zone cylinder



2-zone cylinder



<Thermistor>

- Do not install the thermistors on the mixing tank.
- Install the Zone2 flow temp. thermistor (THW8) near the mixing valve.
- The maximum length of the thermistor wiring is 30 m.
- The length of the optional thermistors are 5 m. If you need to splice and extend the wirings, following points must be carried out.
 - 1) Connect the wirings by soldering.
 - 2) Insulate each connecting point against dust and water.

DIP Switch settings of Cylinder unit (Hydrobox)

Setting the following DIP switches are necessary for 2-zone control. (See the installation manual of Cylinder unit (Hydrobox) for more information.)

DIP switch	Function	OFF	ON	Setting when using 2-zone kit
SW2-6	Mixing tank	WITHOUT Mixing tank	WITH Mixing tank	ON
SW2-7	2-zone temperature control	Inactive	Active *	ON

* Active only when SW3-6 is set to OFF.

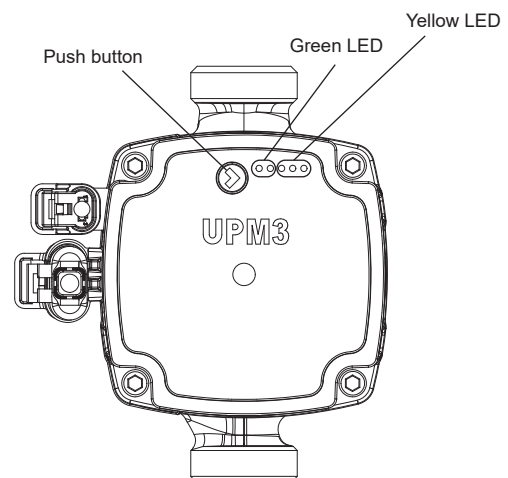
Specifications

Model name	PAC-TZ02-E
Dimension	265 mm × 383 mm × 383 mm
Weight	17 kg
Power supply	230 V/single phase/50 Hz from Cylinder unit (Hydrobox)
Sound pressure level	28 dB(A)
Sound power level	40 dB(A)
Pump2, 3	Max. 52 W/0.52 A
	Max. head 7.0 m ¹¹
Mixing valve	5 W
	Running time 90° 120s
Water flow rate range	Depend on outdoor unit

- Note:
- Max. flow rate is 36.9 L/min. If the flow rate exceeds 36.9L/min, pipes would be eroded.
 - The water flow rate between the Cylinder unit (Hydrobox) and the 2-zone kit must be greater than the total flow rate of Zone1 and Zone2.

Pump performance view

Display	Performance in % of MAX consumption
One green LED	0
Two green LED	0-25
Two green LED + one yellow LED	25-50
Two green LED + two yellow LED	50-75
Two green LED + three yellow LED	75-100



4 Cylinder unit

Pump setting selection

You can check the setting by pressing the push button.

If you press the button for 2 to 10 seconds, the user interface switches to "setting selection" if the user interface is unlocked.

You can change the settings as below table.

Mode	LED1 green	LED2 green	LED3 yellow	LED4 yellow	LED5 yellow
PP1	•		•		
PP2	•		•	•	
PP3	•		•	•	•
PP AA	•				
CP1		•	•		
CP2		•	•	•	
CP3		•	•	•	•
CP AA		•			
CC1			•		
CC2			•	•	
CC3			•	•	•

PP: Proportional Pressure

The head (pressure) is reduced at falling heat demand and increased at rising heat demand.

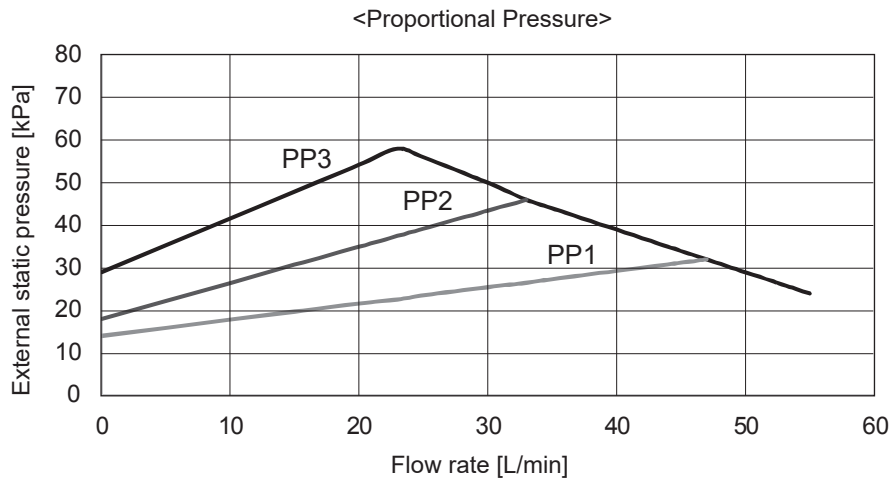
PP1: lowest proportional pressure curve

PP2: intermediate proportional pressure curve

PP3: highest proportional pressure curve

PP Auto Adapt: highest to lowest proportional pressure curve

The Auto Adapt function enables the circulator to adjust the pump performance automatically to the size of the system or the variations in load over time.



4 Cylinder unit

CP: Constant Pressure

The head (pressure) is kept constant, irrespective of the heat demand.

CP1: lowest constant pressure curve

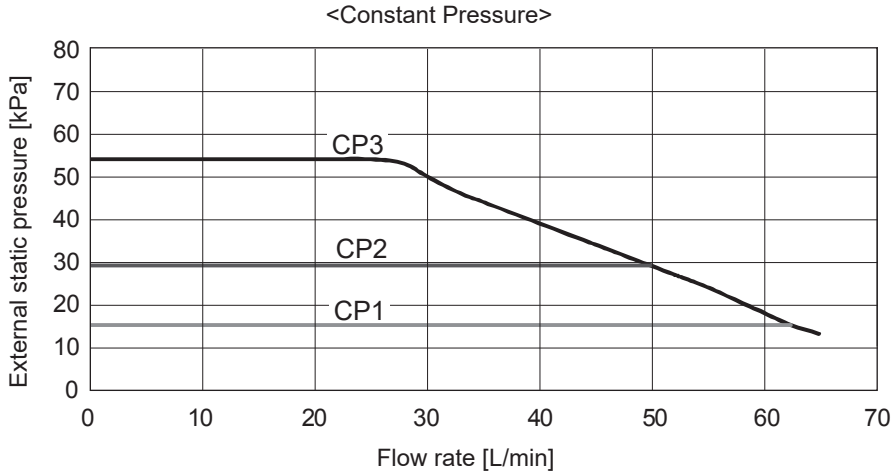
CP2: intermediate constant pressure curve

CP3: highest constant pressure curve

CP Auto Adapt: highest to lowest constant pressure curve

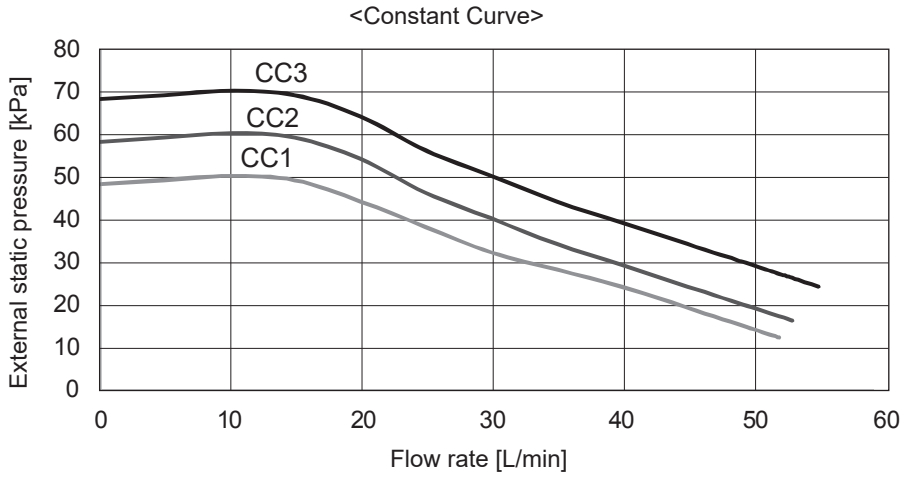
The Auto Adapt function enables the circulator to adjust the pump performance automatically to the size of the system or the variations in load over time.

Cylinder unit
Hydrobox/GSHP/WTW



CC: Constant Curve

The circulator runs on a constant curve.



4 Cylinder unit

4.4.4 Indoor unit only operation (during installation work)

In the case when DHW or heating operation is required prior to connection of the outdoor unit; i.e. during installation work, an electric heater in indoor unit (*1) can be used.

*1 Model with electric heater only.

1. To start operation
 - Check if the indoor unit power supply is OFF, and turn DIP switch 4-4 and 4-5 ON.
 - Turn ON the indoor unit power supply.
 2. To end operation*2
 - Turn OFF the indoor unit power supply.
 - Turn DIP switch 4-4 and 4-5 OFF.
- *2 When the indoor unit only operation is ended, ensure to check over the settings after outdoor unit is connected.

Note:

Prolonged running of this operation may affect the life of the electric heater.

4.4.5 Using SD memory card

The cylinder unit is equipped with an SD memory card interface in FTC.

Using an SD memory card can simplify main remote controller settings and can store operating logs. *1

*1 To edit main remote controller settings or to check operating data, an Ecodan service tool (for use with PC) is required.

<Handling precautions>

- (1) Use an SD memory card that complies with the SD standards. Check that the SD memory card has a logo on it of those shown to the right.
- (2) SD memory cards to the SD standards include SD, SDHC, mini SD, micro SD, and micro SDHC memory cards. The capacities are available up to 32 GB. Choose that with a maximum allowable temperature of 55°C.
- (3) When the SD memory card is a mini SD, mini SDHC, micro SD, or micro SDHC memory card, use an SD memory card converter adapter.
- (4) Before writing to the SD memory card, release the write-protect switch.



- (5) Before inserting or ejecting an SD memory card, make sure to power off the system. If an SD memory card is inserted or ejected with the system powered on, the stored data could be corrupted or the SD memory card be damaged. *An SD memory card is live for a short duration after the system is powered off. Before insertion or ejection wait until the LED lamps on the FTC control board are all off.
- (6) The read and write operations have been verified using the following SD memory cards, however, these operations are not always guaranteed as the specifications of these SD memory cards could change.

Manufacturer	Model	Tested in
Verbatim	#44015	Mar. 2012
SanDisk	SDSDB-002G-B35	Oct. 2011
Panasonic	RP-SDP04GE1K	Oct. 2011
Arvato	2GB PS8032 TSB 24nm MLC	Jun. 2012
Arvato	2GB PS8035 TSB A19nm MLC	Jul. 2014
SanDisk	SDSDUN-008G-G46	Oct. 2016
Verbatim	#43961	Oct. 2016
Verbatim	#44018	Oct. 2016
VANTASTEK	VSDHC08	Sep. 2017
RiTEK	RiDATA 8GB SDHC	Aug. 2021

Before using a new SD memory card (including the card that comes with the unit), always check that the SD memory card can be safely read and written to by the FTC controller.

<How to check read and write operations>

- a) Check for correct wiring of power supply to the system. For more details, refer to section 4.4.1.
(Do not power on the system at this point.)
- b) Insert an SD memory card.
- c) Power on the system.
- d) The LED4 lamp lights if the read and write operations are successfully completed. If the LED4 lamp continues blinking or does not light, the SD memory card cannot be read or written to by the FTC controller.

- (7) Make sure to follow the instruction and the requirement of the SD memory card's manufacturer.
- (8) Format the SD memory card if determined unreadable in step (6). This could make it readable.
Download an SD card formatter from the following site.
SD Association homepage: <https://www.sdcard.org/home/>
- (9) FTC supports FAT file system but not NTFS file system.
- (10) Mitsubishi Electric is not liable for any damages, in whole or in part, including failure of writing to an SD memory card, and corruption and loss of the saved data, or the like. Back up saved data as necessary.
- (11) Do not touch any electronic parts on the FTC control board when inserting or ejecting an SD memory card, or else the control board could fail.

Logos



Capacities

2 GB to 32 GB *2

SD speed classes

All

- The SD Logo is a trademark of SD-3C, LLC.
- The mini SD logo is a trademark of SD-3C, LLC.
- The micro SD logo is a trademark of SD-3C, LLC.

*2 A 2 GB SD memory card stores up to 30 days of operation logs.

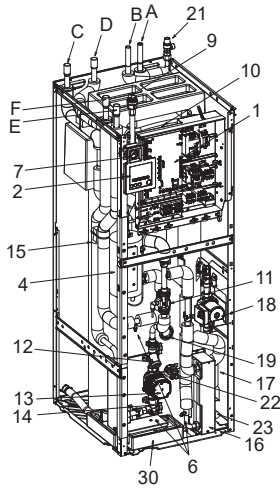
4 Cylinder unit

4.5 Water circuit diagrams

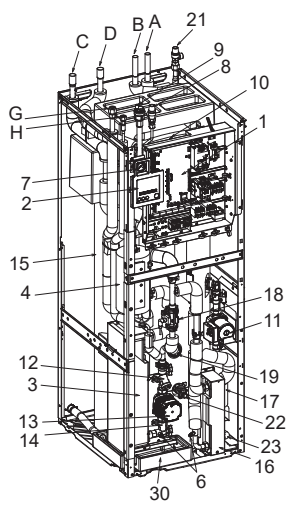
4.5.1 Component parts

<E**T***-M**D>

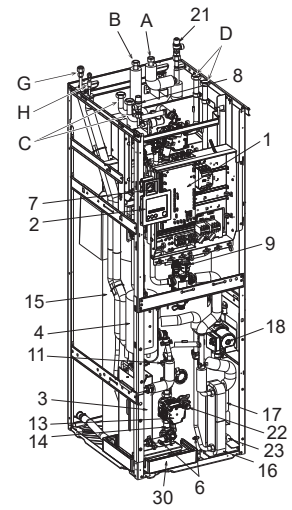
(Packaged model system)



(Split model system)



(Split model system)



<Figure 4.5.1>

Note:

For installation of all E**T***-M*ED* models, make sure to install a suitably sized primary-side expansion vessel. (See figure 4.5.7 and 4.5.8 for further guidance)

Cylinder unit
Hydrobox/GSHP/WTW

4 Cylinder unit

No.	Part name	EHST17/20D- *M*D	EHST20/30D- *M*ED	EHST20/30D- MED	EHST20C- *M*D	EHST20/30C- *M*ED	EHST20/30C- MED	ERST17/20D- *M*D	ERST17D- *M*BD	ERST30D- *M*ED
A	DHW outlet pipe	✓	✓	✓	✓	✓	✓	✓	✓	✓
B	Cold water inlet pipe	✓	✓	✓	✓	✓	✓	✓	✓	✓
C	Water pipe (Space heating/cooling return connection)	✓	✓	✓	✓	✓	✓	✓	✓	✓
D	Water pipe (Space heating/cooling flow connection)	✓	✓	✓	✓	✓	✓	✓	✓	✓
E	Water pipe (Flow from heat pump connection)	—	—	—	—	—	—	—	—	—
F	Water pipe (Return to heat pump connection)	—	—	—	—	—	—	—	—	—
G	Refrigerant pipe (Gas)	✓	✓	✓	✓	✓	✓	✓	✓	✓
H	Refrigerant pipe (Liquid)	✓	✓	✓	✓	✓	✓	✓	✓	✓
1	Control and electrical box	✓	✓	✓	✓	✓	✓	✓	✓	✓
2	Main remote controller	✓	✓	✓	✓	✓	✓	✓	✓	✓
3	Plate heat exchanger (Refrigerant - Water)	✓	✓	✓	✓	✓	✓	✓	✓	✓
4	Booster heater 1,2	✓	✓	—	✓	✓	—	✓	✓	✓
5	3-way valve	✓	✓	✓	✓	✓	✓	✓	✓	✓
6	Drain cock (Primary circuit)	✓	✓	✓	✓	✓	✓	✓	✓	✓
7	Manometer	✓	✓	✓	✓	✓	✓	✓	✓	✓
8	Pressure relief valve (3 bar)	✓	✓	✓ ^{*2, 3}	✓ ^{*2}	✓ ^{*2, 3}	✓ ^{*2, 3}	✓	✓	✓ ^{*3}
9	Automatic air vent	✓	✓	✓	✓	✓	✓	✓	✓	✓
10	Expansion vessel (Primary circuit)	✓	—	—	✓	—	—	✓	✓	—
11	Flow sensor	✓	✓	✓	✓	✓	✓	✓	✓	✓
12	Strainer valve	✓	✓	✓	✓	✓	✓	✓	✓	✓
13	Water circulation pump 1 (Primary circuit)	✓	✓	✓	✓	✓	✓	✓	✓	✓
14	Pump valve	✓	✓	✓	✓	✓	✓	✓	✓	✓
15	DHW tank	✓	✓	✓	✓	✓	✓	✓	✓	✓
16	Plate heat exchanger (Water - Water)	✓	✓	✓	✓	✓	✓	✓	✓	✓
17	Scale trap	✓	✓	✓	✓	✓	✓	✓	✓	✓
18	Water circulation pump (Sanitary circuit)	✓	✓	✓	✓	✓	✓	✓	✓	✓
19	Immersion heater	—	—	—	—	—	—	—	—	—
20	Temperature and pressure relief valve	—	—	—	—	—	—	—	—	—
21	Pressure relief valve (10 bar) (DHW Tank)	✓	✓	✓	✓	✓	✓	✓	✓	✓
22	Drain cock (DHW tank)	✓	✓	✓	✓	✓	✓	✓	✓	✓
23	Drain cock (Sanitary circuit)	✓	✓	✓	✓	✓	✓	✓	✓	✓
24	Flow water temp. thermistor (THW1)	✓	✓	✓	✓	✓	✓	✓	✓	✓
25	Return water temp. thermistor (THW2)	✓	✓	✓	✓	✓	✓	✓	✓	✓
26	DHW tank upper water temp. thermistor (THW5A)	✓	✓	✓	✓	✓	✓	✓	✓	✓
27	DHW tank lower water temp. thermistor (THW5B)	✓	✓	✓	✓	✓	✓	✓	✓	✓
28	Refrigerant liquid temp. thermistor (TH2)	✓	✓	✓	✓	✓	✓	✓	✓	✓
29	Pressure sensor	✓	✓	✓	—	—	—	✓	✓	✓
30	Drain pan	—	—	—	—	—	—	✓	✓	✓
31	Outdoor unit	—	—	—	—	—	—	—	—	—
32	Drain pipe (Local supply)	—	—	—	—	—	—	—	—	—
33	Back flow prevention device (Local supply)	—	—	—	—	—	—	—	—	—
34	Isolating valve (Local supply)	—	—	—	—	—	—	—	—	—
35	Magnetic filter (Local supply) (Recommended)	—	—	—	—	—	—	—	—	—
36	Strainer (Local supply)	—	—	—	—	—	—	—	—	—
37	Pressure relief valve (3 bar - In outdoor unit)	—	—	—	—	—	—	—	—	—
38	Inlet control group *1	—	—	—	—	—	—	—	—	—
39	Filling loop (Ball valves, check valves and flexible hose) *1	—	—	—	—	—	—	—	—	—
40	Potable expansion vessel *1	—	—	—	—	—	—	—	—	—
41	Air vent (Local supply)	—	—	—	—	—	—	—	—	—
42	Pressure relief valve (5 bar)	✓	—	—	✓	—	—	✓	✓	—
43	Water circulation pump 2 (Zone1)	—	—	—	—	—	—	—	✓	—
44	Water circulation pump 3 (Zone2)	—	—	—	—	—	—	—	✓	—
45	Mixing valve	—	—	—	—	—	—	—	✓	—
46	Magnetic filter	—	—	—	—	—	—	—	✓	—
47	Mud trap	—	—	—	—	—	—	—	✓	—
48	Flow zone1 water temp. thermistor (THW6)	—	—	—	—	—	—	—	✓	—
49	Return zone1 water temp. thermistor (THW7)	—	—	—	—	—	—	—	✓	—
50	Flow zone2 water temp. thermistor (THW8)	—	—	—	—	—	—	—	✓	—
51	Return zone2 water temp. thermistor (THW9)	—	—	—	—	—	—	—	✓	—
52	Header	—	—	—	—	—	—	—	✓	—

*1 Supplied with UK model ONLY. Please refer to PAC-WK02UK-E Installation Manual for more information on accessories.

*2 Attachment the part to the position of 3 bar PRV for E*ST20 series. (Refer to *b of the Figure 4.5.9)

*3 Attachment the part to the position of 3 bar PRV for E*ST30 series. (Refer to *b of the Figure 4.5.9)

<Table 4.5.1>

4 Cylinder unit

Cylinder unit
Hydrobox/GSHP/WTW

No.	Part name	ERST20C- *M*D	ERST30C- *M*ED	EHPT17/20X- *M*D	EHPT20/30X- *M*ED	EHPT20/30X- MED	ERPT17/20X- *M*D	ERPT20X- MD	ERPT30X- VM*ED	EHPT20X- MHEDW
A	DHW outlet pipe	✓	✓	✓	✓	✓	✓	✓	✓	✓
B	Cold water inlet pipe	✓	✓	✓	✓	✓	✓	✓	✓	✓
C	Water pipe (Space heating/cooling return connection)	✓	✓	✓	✓	✓	✓	✓	✓	✓
D	Water pipe (Space heating/cooling flow connection)	✓	✓	✓	✓	✓	✓	✓	✓	✓
E	Water pipe (Flow from heat pump connection)	—	—	✓	✓	✓	✓	✓	✓	✓
F	Water pipe (Return to heat pump connection)	—	—	✓	✓	✓	✓	✓	✓	✓
G	Refrigerant pipe (Gas)	✓	✓	—	—	—	—	—	—	—
H	Refrigerant pipe (Liquid)	✓	✓	—	—	—	—	—	—	—
1	Control and electrical box	✓	✓	✓	✓	✓	✓	✓	✓	✓
2	Main remote controller	✓	✓	✓	✓	✓	✓	✓	✓	✓
3	Plate heat exchanger (Refrigerant - Water)	✓	✓	—	—	—	—	—	—	—
4	Booster heater 1,2	✓	✓	✓	✓	—	✓	—	✓	—
5	3-way valve	✓	✓	✓	✓	✓	✓	✓	✓	✓
6	Drain cock (Primary circuit)	✓	✓	✓	✓	✓	✓	✓	✓	✓
7	Manometer	✓	✓	✓	✓	✓	✓	✓	✓	✓
8	Pressure relief valve (3 bar)	✓ ^{*2}	✓ ^{*3}	—	—	—	—	—	—	—
9	Automatic air vent	✓	✓	✓	✓	✓	✓	✓	✓	✓
10	Expansion vessel (Primary circuit)	✓	—	✓	—	—	✓	✓	—	—
11	Flow sensor	✓	✓	✓	✓	✓	✓	✓	✓	✓
12	Strainer valve	✓	✓	✓	✓	✓	✓	✓	✓	✓
13	Water circulation pump 1 (Primary circuit)	✓	✓	✓	✓	✓	✓	✓	✓	✓
14	Pump valve	✓	✓	✓	✓	✓	✓	✓	✓	✓
15	DHW tank	✓	✓	✓	✓	✓	✓	✓	✓	✓
16	Plate heat exchanger (Water - Water)	✓	✓	✓	✓	✓	✓	✓	✓	✓
17	Scale trap	✓	✓	✓	✓	✓	✓	✓	✓	✓
18	Water circulation pump (Sanitary circuit)	✓	✓	✓	✓	✓	✓	✓	✓	✓
19	Immersion heater	—	—	—	—	—	—	—	—	✓
20	Temperature and pressure relief valve	—	—	—	—	—	—	—	—	✓
21	Pressure relief valve (10 bar) (DHW Tank)	✓	✓	✓	✓	✓	✓	✓	✓	—
22	Drain cock (DHW tank)	✓	✓	✓	✓	✓	✓	✓	✓	✓
23	Drain cock (Sanitary circuit)	✓	✓	✓	✓	✓	✓	✓	✓	✓
24	Flow water temp. thermistor (THW1)	✓	✓	✓	✓	✓	✓	✓	✓	✓
25	Return water temp. thermistor (THW2)	✓	✓	✓	✓	✓	✓	✓	✓	✓
26	DHW tank upper water temp. thermistor (THW5A)	✓	✓	✓	✓	✓	✓	✓	✓	✓
27	DHW tank lower water temp. thermistor (THW5B)	✓	✓	✓	✓	✓	✓	✓	✓	✓
28	Refrigerant liquid temp. thermistor (TH2)	✓	✓	—	—	—	—	—	—	—
29	Pressure sensor	—	—	—	—	—	—	—	—	—
30	Drain pan	✓	✓	—	—	—	✓	✓	✓	—
31	Outdoor unit	—	—	—	—	—	—	—	—	—
32	Drain pipe (Local supply)	—	—	—	—	—	—	—	—	—
33	Back flow prevention device (Local supply)	—	—	—	—	—	—	—	—	—
34	Isolating valve (Local supply)	—	—	—	—	—	—	—	—	—
35	Magnetic filter (Local supply) (Recommended)	—	—	—	—	—	—	—	—	—
36	Strainer (Local supply)	—	—	—	—	—	—	—	—	—
37	Pressure relief valve (3 bar - In outdoor unit)	—	—	✓	✓	✓	✓	✓	✓	✓
38	Inlet control group *1	—	—	—	—	—	—	—	—	—
39	Filling loop (Ball valves, check valves and flexible hose) *1	—	—	—	—	—	—	—	—	—
40	Potable expansion vessel *1	—	—	—	—	—	—	—	—	—
41	Air vent (Local supply)	—	—	—	—	—	—	—	—	—
42	Pressure relief valve (5 bar)	✓	—	✓	—	—	✓	✓	—	—
43	Water circulation pump 2 (Zone1)	—	—	—	—	—	—	—	—	—
44	Water circulation pump 3 (Zone2)	—	—	—	—	—	—	—	—	—
45	Mixing valve	—	—	—	—	—	—	—	—	—
46	Magnetic filter	—	—	—	—	—	—	—	—	—
47	Mud trap	—	—	—	—	—	—	—	—	—
48	Flow zone1 water temp. thermistor (THW6)	—	—	—	—	—	—	—	—	—
49	Return zone1 water temp. thermistor (THW7)	—	—	—	—	—	—	—	—	—
50	Flow zone2 water temp. thermistor (THW8)	—	—	—	—	—	—	—	—	—
51	Return zone2 water temp. thermistor (THW9)	—	—	—	—	—	—	—	—	—
52	Header	—	—	—	—	—	—	—	—	—

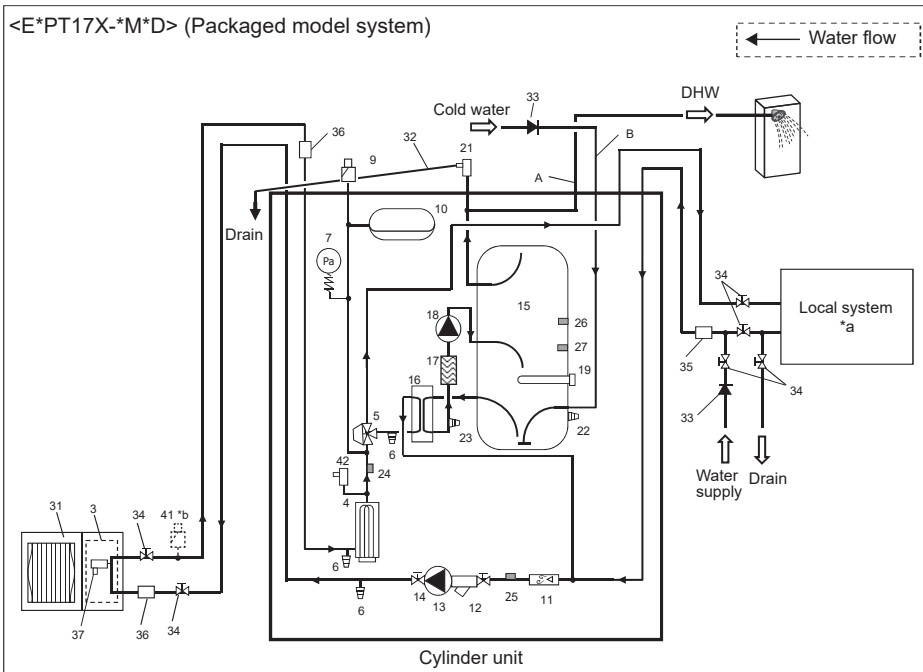
*1 Supplied with UK model ONLY. Please refer to PAC-WK02UK-E Installation Manual for more information on accessories.

*2 Attachment the part to the position of 3 bar PRV for E*ST20 series. (Refer to *b of the Figure 4.5.9)

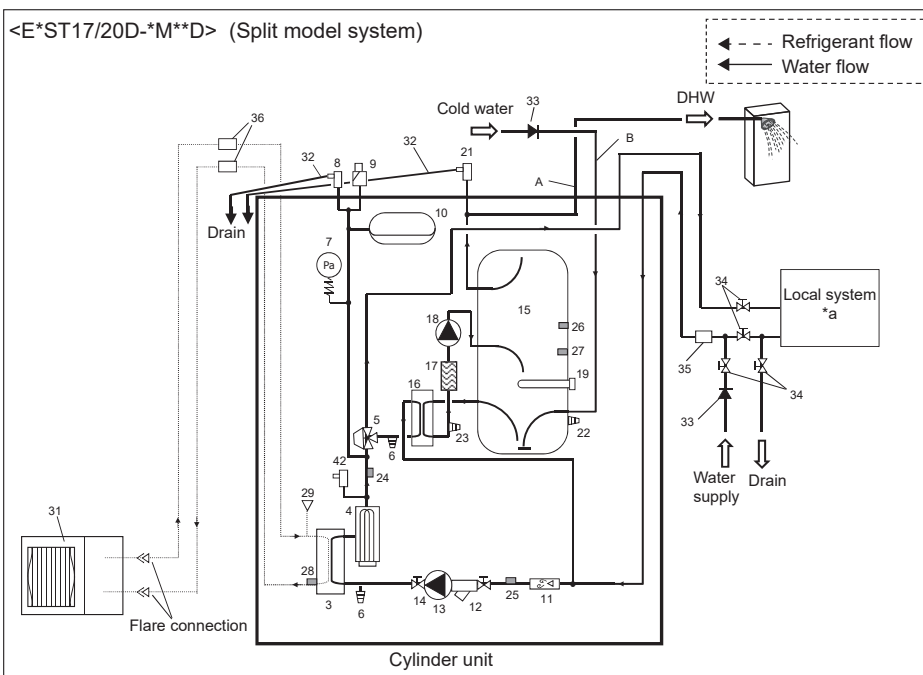
*3 Attachment the part to the position of 3 bar PRV for E*ST30 series. (Refer to *c of the Figure 4.5.9)

<Table 4.5.2>

4 Cylinder unit



<Figure 4.5.2>



<Figure 4.5.3>

*a Refer to the following section '4.5.2 Local system'.

*b If the outdoor unit is higher than the indoor unit, or if there is a location where air gets trapped in the upper part of the water pipe, consider adding this part.

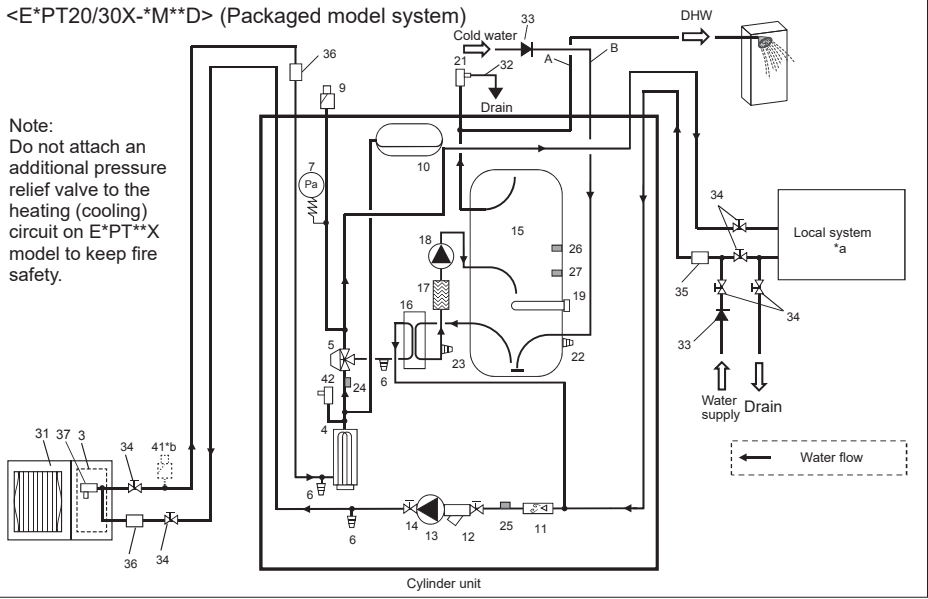
Note

- To enable draining of the cylinder unit an isolating valve should be positioned on both the inlet and outlet pipework.
- Be sure to install a strainer on the inlet pipework to the cylinder unit.
- Suitable drain pipework should be attached to the relief valve(s) instructed to be connected to it in Figure 4.5.2 and 4.5.3 in accordance with your country's regulations.
- A backflow prevention device must be installed on the cold water supply pipework (IEC 61770)
- When using components made from different metals or connecting pipes made of different metals insulate the joints to prevent any corrosive reaction taking place which may damage the pipework.)

4 Cylinder unit

<E*PT20/30X-*M**D> (Packaged model system)

Note:
Do not attach an additional pressure relief valve to the heating (cooling) circuit on E*PT**X model to keep fire safety.



<Figure 4.5.4>

Go to the Mitsubishi website to check the water circuit of other units and the component parts of each unit.

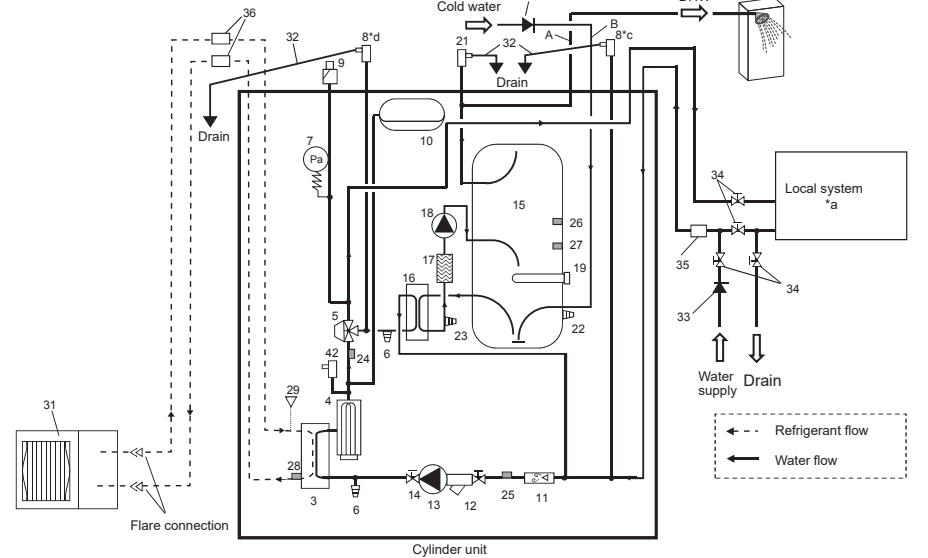
*a Refer to the following section [Local system].

*b If the outdoor unit is higher than the indoor unit, or if there is a location where air gets trapped in the upper part of the water pipe, consider adding this part.

*c E**T20 only

*d E**T30 only

<E*ST20C/30C/30D-*M**D> (Split model system)

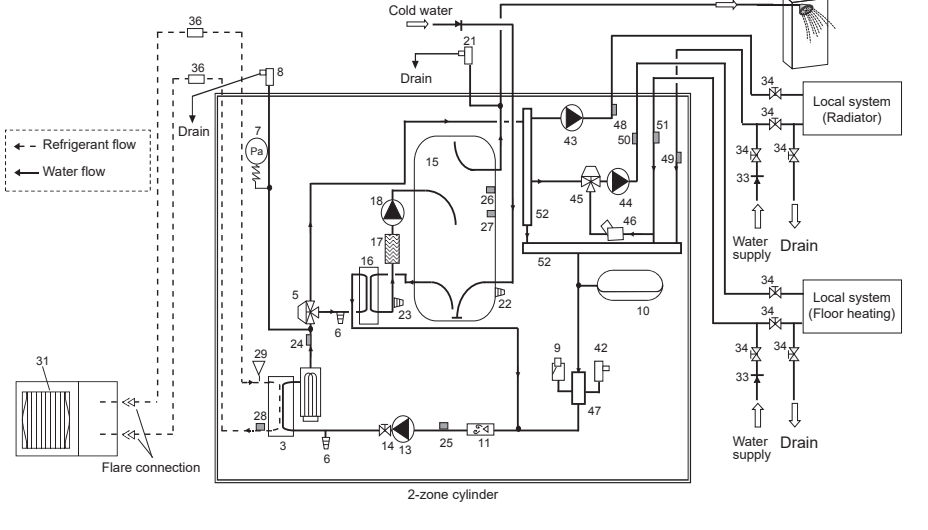


<Figure 4.5.5>

Notes

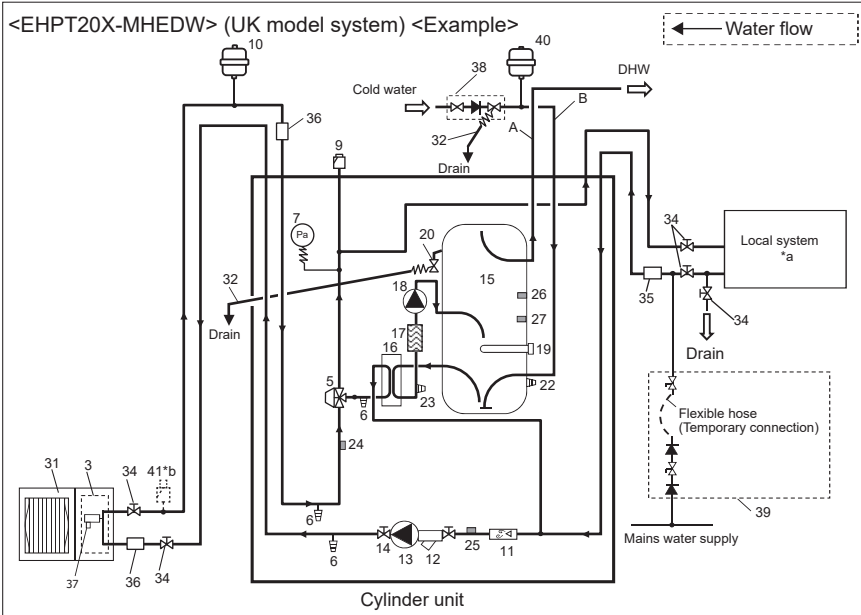
- To enable draining of the cylinder unit an isolating valve should be positioned on both the inlet and outlet pipework.
- Be sure to install a strainer on the inlet pipework to the cylinder unit.
- Suitable drain pipework should be attached to the relief valves instructed to be connected to it in Figures 4.5.4, 4.5.5 and 4.5.6 in accordance with your country's regulations.
- A backflow prevention device must be installed on the cold water supply pipework (IEC 61770)
- When using components made from different metals or connecting pipes made of different metals insulate the joints to prevent any corrosive reaction taking place which may damage the pipework.

<ERST17D-***BD> (Split model 2-zone system)



<Figure 4.5.6>

4 Cylinder unit

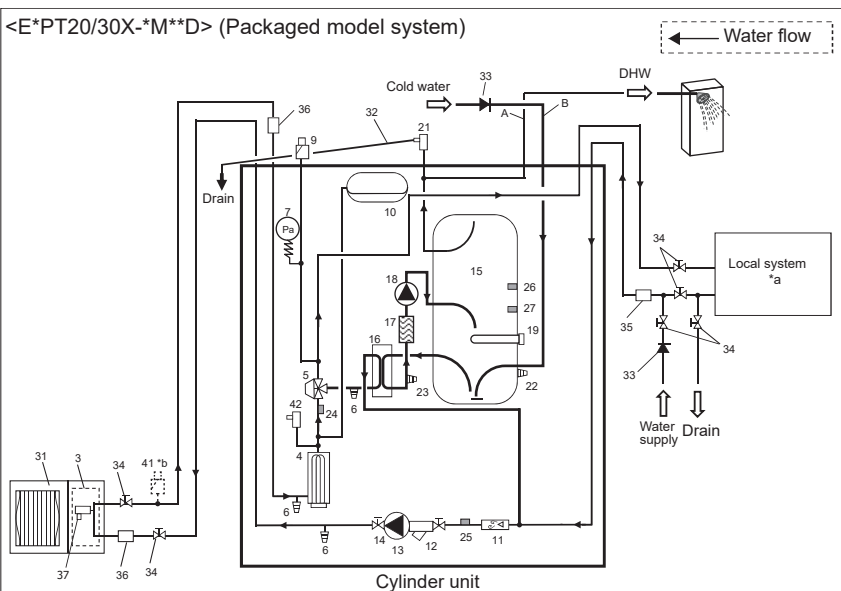


<Figure 4.5.7>

*a Refer to the following section '4.5.2 Local system'.

Note (Figure 4.5.7)

- To enable draining of the cylinder unit an isolating valve should be positioned on both the inlet and outlet pipework. No valve should be fitted between the expansion valve (item 38) and the cylinder unit (safety matter).
- For space heating (primary) circuit a suitable expansion vessel **MUST** be supplied and fitted by installer. (See figure 4.5.7)
- Be sure to install a strainer on the inlet pipework to the cylinder unit.
- Suitable drain pipework should be attached to the relief valve instructed to be connected to it in Figure 4.5.7 in accordance with your country's regulations.
- When using components made from different metals or connecting pipes made of different metals insulate the joints to prevent any corrosive reaction taking place which may damage any pipework.
- Filling loop's flexible hose must be removed following the filling procedure. Item provided with unit as loose accessory.
- Install the inlet control group (item 38) above the level of the T&P relief valve (item 20). This will ensure DHW tank will not require drain down to service/maintain the inlet control group.



<Figure 4.5.8>

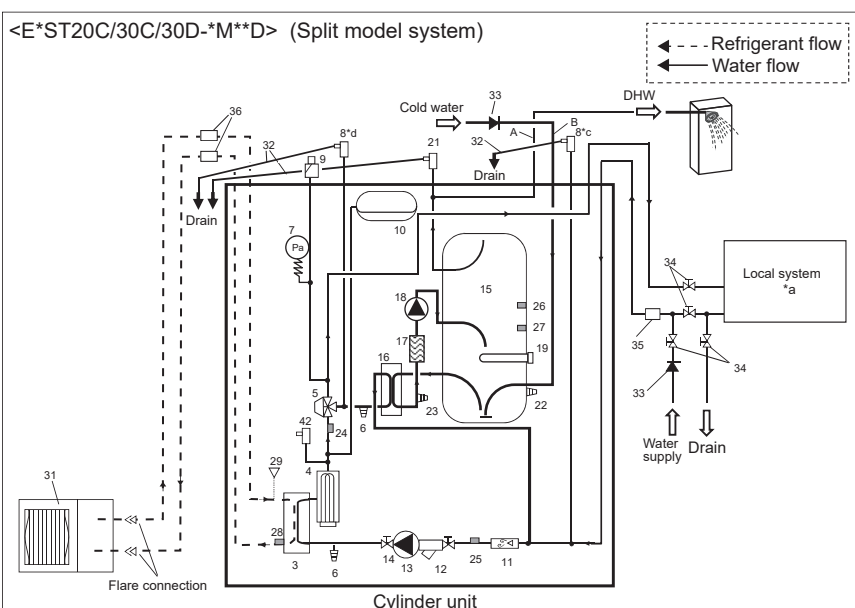
*a Refer to the following section '4.5.2 Local system'.

*b E**T20 only

*c E**T30 only

Note (Figure 4.5.8) (Figure 4.5.9)

- To enable draining of the cylinder unit an isolating valve should be positioned on both the inlet and outlet pipework.
- Be sure to install a strainer on the inlet pipework to the cylinder unit.
- Suitable drain pipework should be attached to the relief valve(s) instructed to be connected to it in Figure 4.5.8 and 4.5.9 in accordance with your country's regulations.
- A backflow prevention device must be installed on the cold water supply pipework (IEC 61770)
- When using components made from different metals or connecting pipes made of different metals insulate the joints to prevent any corrosive reaction taking place which may damage the pipework.

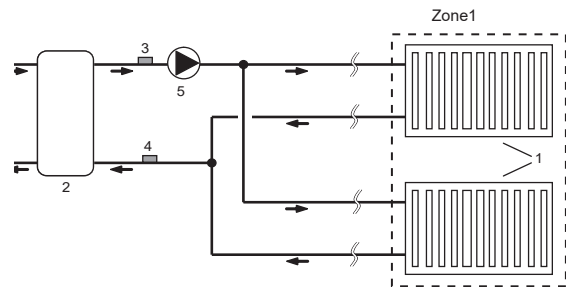
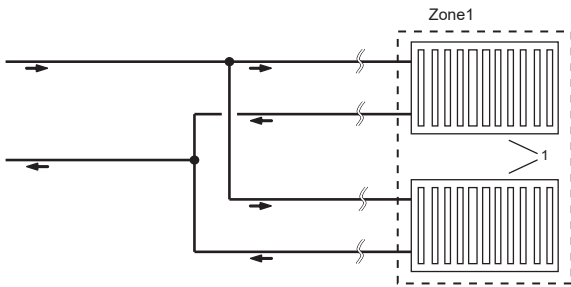


<Figure 4.5.9>

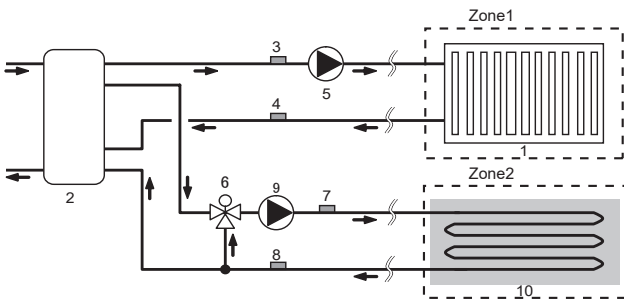
4 Cylinder unit

4.5.2 Local system

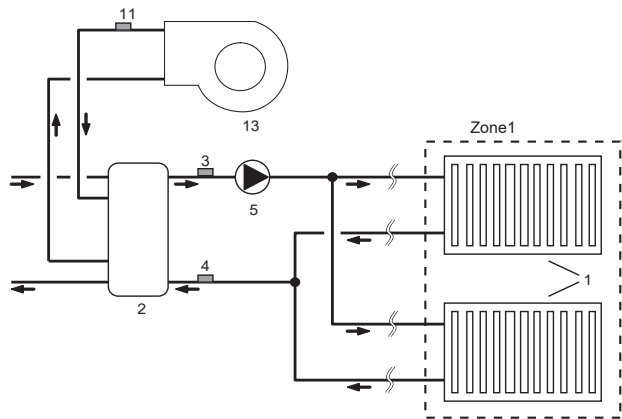
1-zone temperature control



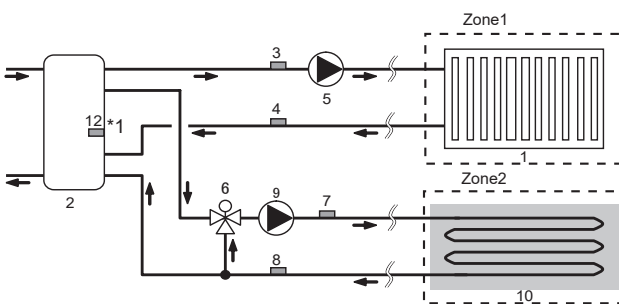
2-zone temperature control



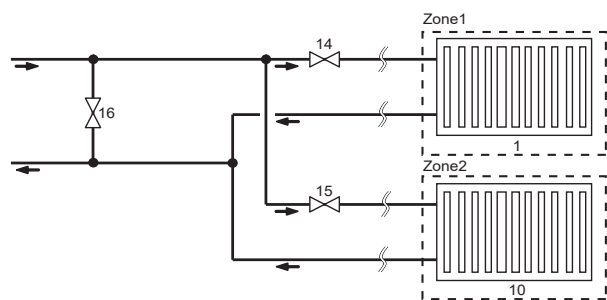
1-zone temperature control with boiler



2-zone temperature control & Buffer tank control



1-zone temperature control (2-zone valve ON/OFF control)



- 1. Zone1 heat emitters (e.g. radiator, fan coil unit) (local supply)
 - 2. Mixing tank (local supply)
 - 3. Zone1 flow water temp. thermistor (THW6)
 - 4. Zone1 return water temp. thermistor (THW7)
 - 5. Zone1 water circulation pump (local supply)
 - 6. Motorized mixing valve (local supply)
 - 7. Zone2 flow water temp. thermistor (THW8)
 - 8. Zone2 return water temp. thermistor (THW9)
 - 9. Zone2 water circulation pump (local supply)
- } Optional part : PAC-TH011-E
- } Optional part : PAC-TH011-E

- 10. Zone2 heat emitters (e.g. underfloor heating) (local supply)
 - 11. Boiler flow water temp. thermistor (THWB1)
 - 12. Mixing tank thermistor (THW10) *1
 - 13. Boiler (local supply)
 - 14. Zone1 2-way valve (local supply)
 - 15. Zone2 2-way valve (local supply)
 - 16. Bypass valve (local supply)
- } Optional part : PAC-TH012HT(L)-E

*1 ONLY Buffer tank control (heating/cooling) applies to "Smart grid ready".

4 Cylinder unit

4.6. Installation

<Preparation before the installation and service>

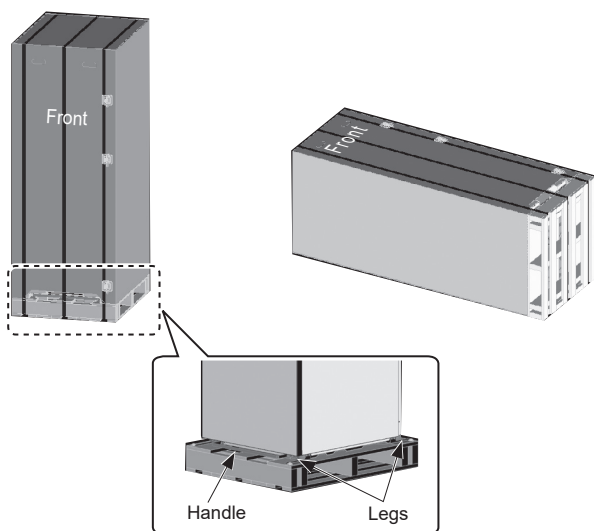
- Prepare the proper tools.
- Prepare the proper protection.
- Allow parts to cool before attempting any maintenance.
- Provide adequate ventilation.
- After stopping the operation of the system, turn off the power-supply breaker and remove the power plug.
- Discharge the capacitor before commencing work involving the electric parts.

<Precautions during service>

- Do not perform work involving electric parts with wet hands.
- Do not pour water or liquid into the electric parts.
- Do not touch the refrigerant.
- Do not touch the hot or cold surfaces in the refrigerant cycle.
- When the repair or the inspection of the circuit needs to be carried out without turning off the power, exercise great caution NOT to touch any LIVE parts.

4.6.1 Location

■ Transportation and Handling



<Figure 4.6.1>

Cylinder unit is delivered on a wooden pallet base with cardboard protection.

Care should be taken when transporting the cylinder unit that the casing is not damaged by impact. Do not remove the protective packaging until cylinder unit has reached its final location. This will help protect the structure and control panel.

- The cylinder unit can be transported either vertically or horizontally. If transported horizontally the panel marked 'Front' must be facing **UPWARDS** <Figure 4.6.1>.
- The cylinder unit should ALWAYS be moved by a minimum of 3 people.
- When carrying the cylinder unit use the handles provided.
- Before using the handles, make sure they are securely attached.
- **Please remove front handle, fixing legs, wooden base and any other packaging once the unit is in installation location.**
- **Keep the handles for future transportation.**

■ Suitable Location

Before installation the cylinder unit should be stored in a frost-free weather-proof location. Units must **NOT** be stacked.

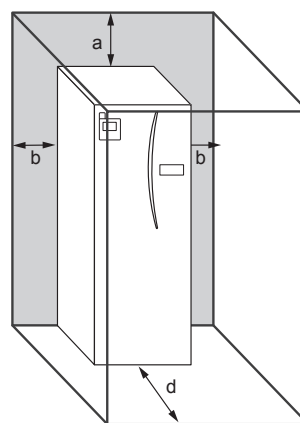
- The cylinder unit should be installed indoors in a frost free weather proof location.
- Install the cylinder unit where it is not exposed to water/excessive moisture.
- The cylinder unit should be positioned on a level surface capable of supporting it's **FILLED** weight. (Adjustable feet (accessory parts) can be used to ensure unit is level)
- When using the adjustable feet, ensure that the floor is strong enough.
- Care should be taken that minimum distances around and in front of the unit for service access are observed <Figure 4.6.2>.
- Secure the cylinder unit to prevent it being knocked over.
- Please be careful not to break the insulation attached to the unit.

■ Service access diagrams

Service access	
Parameter	Dimension (mm)
a	300*
b	150
c (distance behind unit not visible in Figure 4.6.2)	10
d	500

<Table 4.6.1>

Sufficient space **MUST** be left for the provision of discharge pipework as detailed in National and Local Building Regulations.



<Figure 4.6.2>

Service access

* An additional 300 mm of space (total 600 mm) is required, when installing the optional 2-zone kit (PAC-TZ02-E) on top of the cylinder unit.

The cylinder unit must be located indoors and in a frost-free environment, for example in a utility room, to minimise heat loss from stored water.

■ Repositioning

If you need to move the cylinder unit to a new position **FULLY DRAIN** the cylinder unit before moving to avoid damage to the unit.

4 Cylinder unit

4.6.2 Water Quality and System Preparation

■ General

- The water in primary and sanitary circuit should be clean and with pH value of following condition.
Primary circuit: pH6.5-10.0
Sanitary circuit: pH6.5-8.0
- The followings are the maximum values;
Calcium: 100 mg/L, Ca hardness: 250 mg/L
Chloride: 100 mg/L, Copper: 0.3 mg/L
- Other constituents should be to European Directive 98/83 EC standards.
- In known hard water areas, to prevent/minimise scaling, it is beneficial to restrict the routine stored water temperature (DHW max. temp.) to 55°C.

■ Anti-Freeze

Anti-freeze solutions should use propylene glycol with a toxicity rating of Class 1 as listed in Clinical Toxicology of Commercial Products, 5th Edition.

Notes:

- Ethylene glycol is toxic and should NOT be used in the primary water circuit in case of any cross-contamination of the potable circuit.
- For 2-zone valve ON/OFF control, propylene glycol should be used.

■ New Installation (primary water circuit)

- Before connecting outdoor unit, thoroughly cleanse pipework of building debris, solder etc using a suitable chemical cleansing agent.
- Flush the system to remove chemical cleanser.
- For all packaged model systems add a combined inhibitor and anti-freeze solution to prevent damage to the pipework and system components.
- For split model systems the responsible installer should decide if anti-freeze solution is necessary for each site's conditions. Corrosion inhibitor however should ALWAYS be used.

■ Existing Installation (primary water circuit)

- Before connecting outdoor unit the existing heating circuit MUST be chemically cleansed to remove existing debris from the heating circuit.
- Flush the system to remove chemical cleanser.
- For all packaged model systems, and the split model or PUMY system without booster heater, add a combined inhibitor and anti-freeze solution to prevent damage to the pipework and system components.
- For split model systems the responsible installer should decide if anti-freeze solution is necessary for each site's conditions. Corrosion inhibitor however should ALWAYS be used.

When using chemical cleansers and inhibitors always follow manufacturer's instructions and ensure the product is appropriate for the materials used in the water circuit

■ Minimum amount of water required in the space heating/cooling circuit

Outdoor heat pump unit		Indoor unit containing water amount [L]	*Additional required water amount [L]	
			Average / Warmer climate**	Colder climate**
Packaged model	PUZ-WM50	5	2	24
	PUZ-WM60		4	29
	PUZ-WM85		7	32
	PUZ-WM112		11	43
	PUZ-HWM140		15	55
Split model SUZ series	SUZ-SWM40VA	5	1	12
	SUZ-SWM60VA		2	21
	SUZ-SWM80VA		4	29
	SUZ-SWM30VA		5 ***	12 ***
	SUZ-SWM40VA2(-SC)		5 ***	12 ***
	SUZ-SWM60VA2(-SC)		9 ***	21 ***
	SUZ-SWM80VA(H)2		12 ***	29 ***
	SUZ-SWM100VA(H)		12 ***	38 ***
	SUZ-SHWM30VAH		9 ***	21 ***
	SUZ-SHWM40VAH(-SC)		9 ***	21 ***
SUZ-SHWM60VAH(-SC)	12 ***	29 ***		
Split model PUD series	PUD-S(H)WM60	5	4	21
	PUD-S(H)WM80		6	29
	PUD-S(H)WM100		10	38
	PUD-S(H)WM120		12	47
	PUD-SHWM140		15	55
Split model PUHZ series	PUHZ-SW75	5	6	37
	PUHZ-SW100		9	38
	PUHZ-SW120		12	47
	PUHZ-SHW80		6	29
	PUHZ-SHW112		11	43
PUHZ-SHW140	15	55		
Split model Multi series	PUHZ-FRP71	5	6	27
	PUMY-P112		22	75
	PUMY-P125		22	75
	PUMY-P140		22	75
	PXZ-4F75VG		6	27
	PXZ-5F85VG		6	29

<Table 4.6.2>

* Water amount: If there is a bypass circuit, above table means minimum water amount in case of bypass.

** Climate: Please refer to 2009/125/EC: Energy-related Products Directive and Regulation (EU) No 813/2013 to confirm your climate zone.

*** SUZ series: Flow temperature MUST always be NO lower than 32 °C when outdoor temperature drops below -15 °C. Potential risks of plate HEX get frozen and damaged, and also outdoor HEX would be frosted due to insufficient defrosting.

Case 1. No division between primary and secondary circuit

- Please ensure the required water amount according to the table 4.6.2 by water pipe and radiator or underfloor heating.

Case 2. Separate primary and secondary circuit

- If the interlock operation of primary and secondary pump is not available, please ensure required additional water in only primary circuit according to the table 4.6.2.
- If the interlock operation of primary and secondary pump is available, please ensure total water amount of primary and secondary circuit according to the table 4.6.2.

In case of the shortage of required water amount, please install buffer tank.

4 Cylinder unit

4.6.3 Water Pipe Work

■ Hot Water Pipework

The cylinder unit is **UNVENTED**. When installing unvented hot water systems building regulations part G3 (England and Wales), P3 (Scotland) and P5 (Northern Ireland) should be adhered to. If outside of the UK please adhere to your own country's regulations for unvented hot water systems.

Connect the flow for the DHW to pipe A (Figure 4.5.1).

The function of the following safety components of the cylinder unit should be checked on installation for any abnormalities;

- Pressure relief valve (Primary circuit and Tank)
- Expansion vessel pre-charge (gas charge pressure)

The instruction on the following pages regarding safe discharge of hot water from Safety devices should be followed carefully.

- The pipework will become very hot, so should be insulated to prevent burns.
- When connecting pipework, ensure that no foreign objects such as debris or the like enter the pipe.

■ Cold Water Pipework

Cold water to the suitable standard (see section 4.6.2) should be introduced to the system by connecting pipe B (Figure 4.5.1) using appropriate fittings.

■ Drain Pipework (ONLY ER series)

The optional part 'Drain pan stand' does not need to be set because the drain pan is installed. The drain should be set from the drain socket at left rear of the unit.

The drain pipe should be installed to drain condensed water during cooling mode.

- To prevent dirty water from draining directly onto the floor next to cylinder unit, please connect appropriate discharge pipework from the cylinder drain pan.
- Securely install the drain pipe to prevent leakage from the connection.
- Securely insulate the drain pipe to prevent water dripping from the locally supplied drain pipe.
- Install the drain pipe at a down slope of 1/100 or more.
- Do not place the drain pipe in drain channel where sulphuric gas exists.
- After installation, check that the drain pipe drains water properly from the outlet of the pipe to suitable discharge location.
- The drain hose should be connected to the drainage hole that is in the room.

■ Negative pressure prevention

To prevent negative pressure effecting DHW tank, installer should install appropriate pipework or use appropriate devices.

■ Hydraulic filter work (ONLY E*PT series)

Install a hydraulic filter or strainer (local supply) at the water intake ("Pipe E" in Figure 4.5.1)

■ Pipework Connections

Connections to the cylinder unit should be made using the 22 mm or 28 mm compression as appropriate.

When connecting DHW pipes using compression fittings, insert **copper liner for DHW pipe** (accessory parts) into the pipes and tighten them from 0.75 to 1.25 turns.

Do not over-tighten compression fittings as this will lead to deformation of the olive ring and potential leaks.

Note: Before brazing pipes in the field, protect pipes on the cylinder unit using wet towels etc as "heat shield".

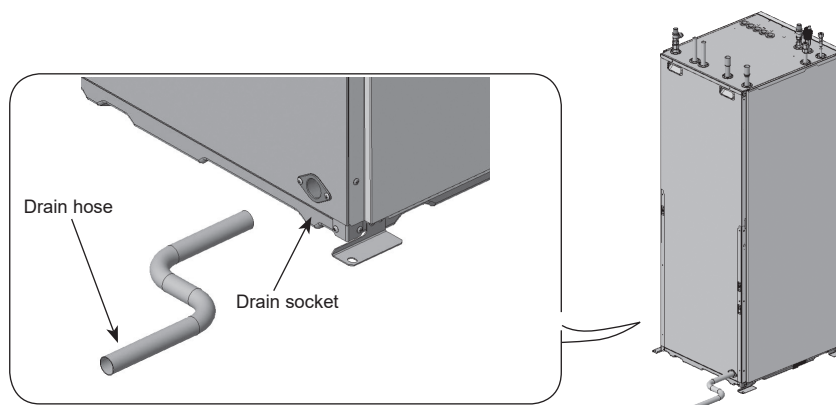
■ Insulation of Pipework

- All exposed water pipework should be insulated to prevent unnecessary heat loss and condensation. To prevent condensate entering the cylinder unit, the pipework and connections at the top of the cylinder unit should be carefully insulated.
- Cold and hot water pipework should not be run close together where possible, to avoid unwanted heat transfer.
- Pipework between outdoor heat pump unit and cylinder unit should be insulated with suitable pipe insulation material with a thermal conductivity of ≤ 0.04 W/m.K.

<Installation>

1. The drain socket (inside diameter 26mm) is left rear of the cylinder unit. (Figure 4.6.3)
2. Fix the drain pipe (VP-20) which fits the drain socket with the polyvinyl chloride type adhesive.
3. Set the drain pipework up to the outlet with the down grade of more than one hundredth.

Note: Securely support the locally supplied drain pipe to avoid the drain pipe falling from the drain socket.



<Figure 4.6.3>

4 Cylinder unit

■ Sizing Expansion Vessels

Expansion vessel volume must fit the local system water volume. To size an expansion vessel for the heating circuit the following formula and graph can be used.

When the necessary expansion vessel volume exceeds the volume of an built-in expansion vessel, install an additional expansion vessel so that the sum of the volumes of the expansion vessels exceeds the necessary expansion vessel volume.

* For installation of an E**T***-M*ED* model, provide and install a suitable primary-side expansion vessel and additional 3 bar rated pressure relief valve in the field as the model **DOES NOT** come fitted with a primary-side expansion vessel.

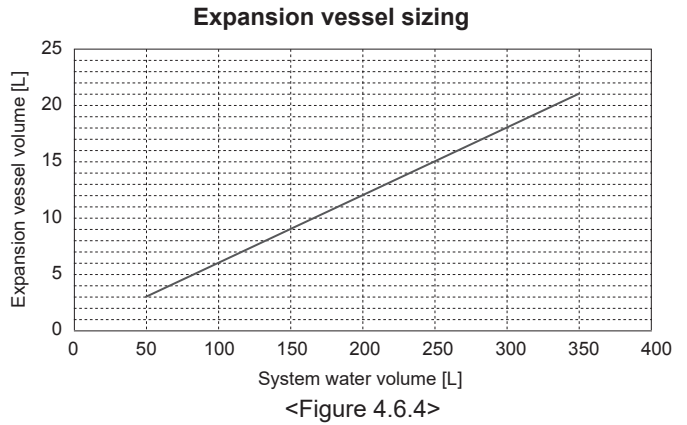
$$V = \frac{\epsilon \times G}{1 - \frac{P_1 + 0.098}{P_2 + 0.098}}$$

Where;

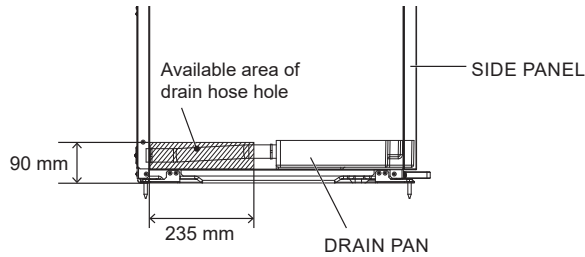
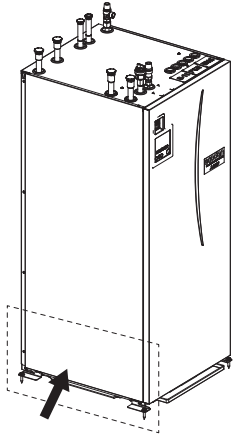
- V : Necessary expansion vessel volume [L]
- ϵ : Water expansion coefficient
- G : Total volume of water in the system [L]
- P₁ : Expansion vessel setting pressure [MPa]
- P₂ : Max. pressure during operation [MPa]

Graph to the right is for the following values

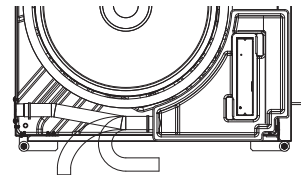
- ϵ : at 70°C = 0.0229
- P₁ : 0.1 MPa
- P₂ : 0.3 MPa
- *A 30% safety margin has been added.



■ Drain hose connection from left side



<Note>
Please make a hole to come out drain hose (φ32) within this area.
* Please note that bigger hole will deteriorate insulation and sound level.



<Note>
Please secure at least R70 (inside R54) when bending a hose.

4 Cylinder unit

4.6.4 Water Circulation Pump Characteristics

(1) Primary circuit

Pump speed can be selected by main remote controller setting (see <Figure 4.6.5>).

Adjust the pump speed setting so that the flow rate in the primary circuit is appropriate for the outdoor unit installed (see Table 4.6.3). It may be necessary to add an additional pump to the system depending on the length and lift of the primary circuit.

For outdoor unit model not listed in the <Table 4.6.3>, refer to Water flow rate range in the specification table of outdoor unit Data Book.

<Second pump >

If a second pump is required for the installation please read the following carefully.

If a second pump is used in the system it can be positioned in 2 ways.

The position of the pump influences which terminal of the FTC the signal cable should be wired to. If the additional pump(s) have current greater than 1A please use appropriate relay. Pump signal cable can either be wired to TBO.1 1-2 or CNP1 but NOT both.

Option 1 (Space heating/cooling only)

If the second pump is being used for the heating circuit only then the signal cable should be wired to TBO.1 terminals 3 and 4 (OUT2). In this position the pump can be run at a different speed to the cylinder unit's in-built pump.

Option 2 (Primary circuit DHW and space heating/cooling)

If the second pump is being used in the primary circuit between the cylinder unit and the outdoor unit (Package system ONLY) then the signal cable should be wired to TBO.1 terminals 1 and 2 (OUT1). In this position the pump speed **MUST** match the speed of the cylinder unit's in-built pump.

Note: Refer to 4.4.2 Connecting inputs/outputs.

***For installation of E*PT series, set its pump speed with a pressure drop between the cylinder unit and the outdoor unit factored into the external static pressure.**

Outdoor heat pump unit		Water flow rate range [L/min]
Packaged model	PUZ-WM50	6.5 - 14.3
	PUZ-WM60	8.6 - 17.2
	PUZ-WM85	10.8 - 24.4
	PUZ-WM112	14.4 - 32.1
	PUZ-HWM140	17.9 - 36.9
Split model SUZ series	SUZ-SWM40VA	6.5 - 11.4
	SUZ-SWM60VA	7.2 - 17.2
	SUZ-SWM80VA	7.8 - 21.5
	SUZ-SWM30VA	6.5 - 11.4
	SUZ-SWM40VA2(-SC)	6.5 - 11.4
	SUZ-SWM60VA2(-SC)	7.2 - 17.2
	SUZ-SWM80VA(H)2	10.9 - 21.5
	SUZ-SWM100VA(H)	10.9 - 27.2
	SUZ-SHWM30VAH	6.5 - 11.4
	SUZ-SHWM40VAH(-SC)	7.2 - 17.2
SUZ-SHWM60VAH(-SC)	10.9 - 21.5	
Split model PUD series	PUD-S(H)WM60	9.0 - 22.9
	PUD-S(H)WM80	9.0 - 22.9
	PUD-S(H)WM100	14.3 - 34.4
	PUD-S(H)WM120	14.3 - 34.4
	PUD-SHWM140	14.3 - 34.4
Split model PUHZ series	PUHZ-SW75	10.2 - 22.9
	PUHZ-SW100	14.4 - 32.1
	PUHZ-SW120	20.1 - 36.9
	PUHZ-SHW80	10.2 - 22.9
	PUHZ-SHW112	14.4 - 32.1
	PUHZ-SHW140	17.9 - 36.9
Split model Multi series	PUHZ-FRP71	11.5 - 22.9
	PUMY-P112	17.9 - 35.8
	PUMY-P125	17.9 - 35.8
	PUMY-P140	17.9 - 35.8
	PXZ-4F75VG	11.5 - 21.7
	PXZ-5F85VG	11.5 - 24.6

<Table 4.6.3>

* If the water flow rate is less than the minimum flow rate setting of the flow sensor(default 5.0 L/min), the flow rate error will be activated.

If the water flow rate exceeds 36.9 L/min (E**T20/30 series) or 25.8 L/min (E**T17 series), the flow speed will be greater than 2.0 m/s, which could erode the pipes.

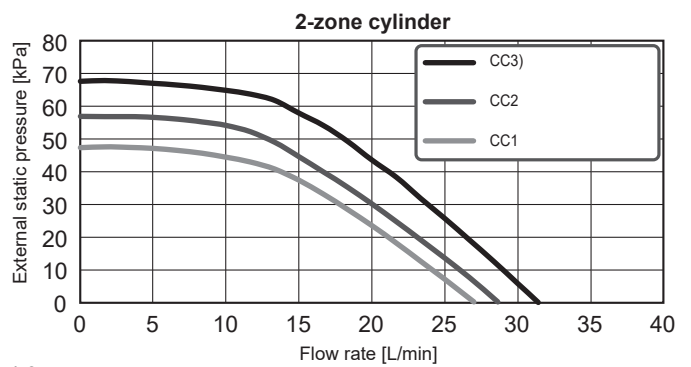
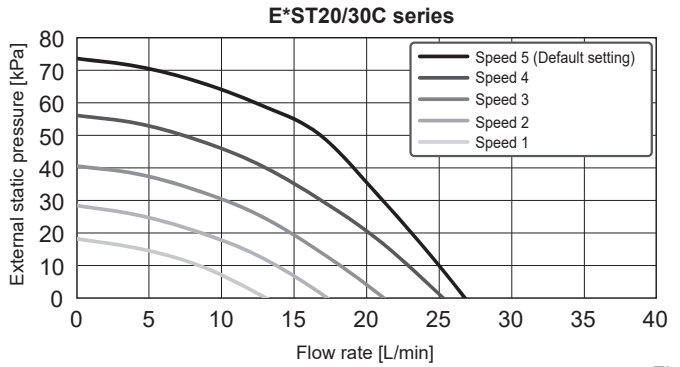
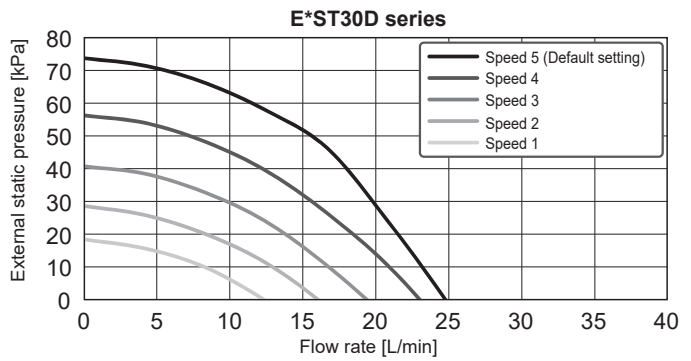
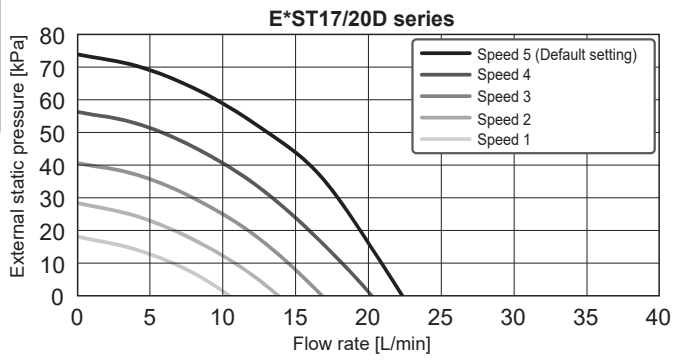
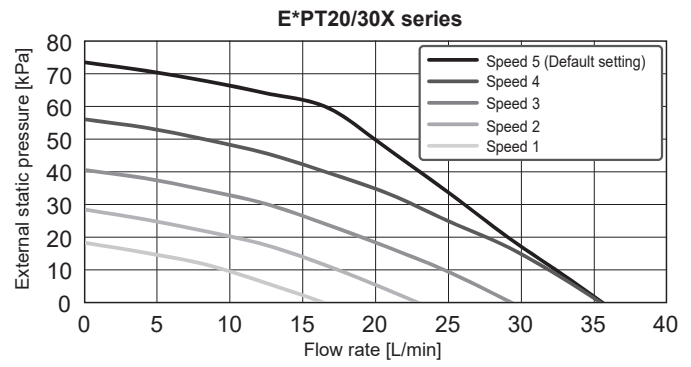
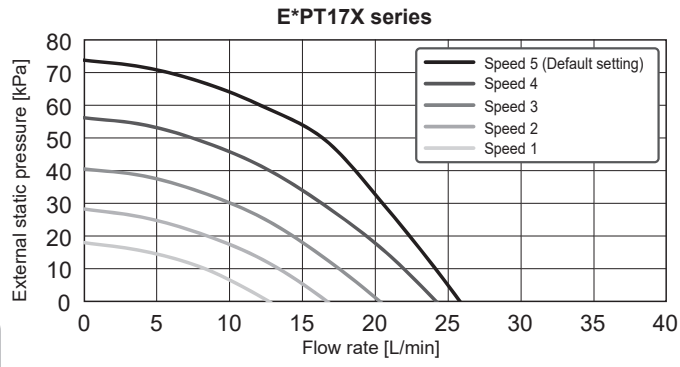
(2) Sanitary circuit

Default setting: Speed 2

DHW circulation pump **MUST** be set to speed 2.

4 Cylinder unit

Cylinder unit
Hydrobox/GSHP/WTW



<Figure 4.6.5>

4 Cylinder unit

■ Immersion heater

When an immersion heater is fitted, do NOT energise the heater until the DHW tank is full of water. Also do NOT energise any immersion heater if any sterilisation chemicals remain in the DHW tank as this will cause premature failure of the heater.

■ Safety Device Connections

The expansion relief valve on the secondary hot water side, and the temperature and pressure (T&P) relief valve (*A), both need appropriate discharge pipework. There must be no valve fitted between the expansion relief valve and the tank.

*A EHPT20X-MHEDW is equipped with T & P relief valve on the tank (2). Any other models are equipped with Pressure relief valve, fitted to the DHW pipework (3).

Note : 1. Do not secure the screws excessively when connecting the Discharge pipe, otherwise it may result in damage to the cylinder unit.

<For UK>

The right side panel has a plate (*B) so that connection can be made to the factory fitted temperature and pressure relief valve. If you wish to make the connection in a different position you will have to cut a hole in the side panel yourself. However it remains necessary that the drainage parameters outlined in the appropriate Building Regulations are complied with.

*B Unscrew the plate on the right-side panel, connect the Pressure relief valve to the discharge pipework, and refit the plate. Always replace the plate so that no gaps exist between the plate and side panel and the plate and drain pipe to avoid heat loss.

In accordance with Building Regulations a tundish must be fitted into the pipework within 500 mm of the safety device (also see Figure 4.6.7). Due to the distance between the two safety devices it may be necessary to fit each safety device with its own tundish before you run the pipework together to a safe discharge (see Figure 4.6.6).

Note : 2. Alternatively the discharges from the expansion relief valve and T&P relief valve may commonly discharge to a singular tundish, so long as this tundish is located within 500 mm of the T&P relief valve in UK. When connecting discharge pipes to the safety devices, beware not to strain the inlet connections.

Diagram part No.	Description	Connection size	Connection type
1	Expansion relief valve (part of inlet control group)	15 mm	Compression
2	T&P relief valve	15 mm /G 1/2	Compression/ Female
3	Pressure relief valve	G 1/2	Female

<Table 4.6.4>

Always refer to local regulations when installing discharge pipework. Install discharge pipework in a frost-free environment. It is necessary to provide appropriate drainage from the pressure relief valve situated on top of the cylinder unit to prevent damage to the unit and the surrounding area from any steam or hot water released. Relief valves MUST NOT be used for any other purpose.

For UK use WK02UK-E kit, for other countries please see below;

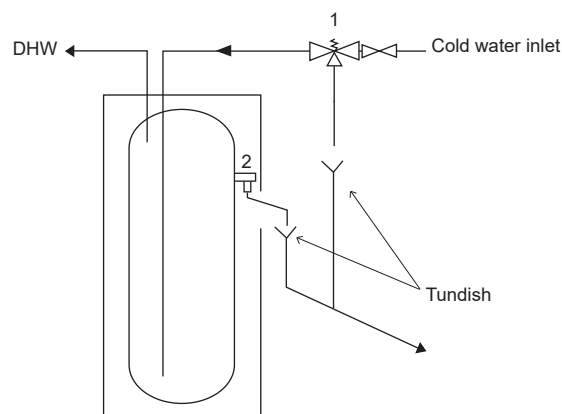
- Any discharge pipework should be capable of withstanding discharge of hot water. Discharge pipework should be installed in a continuously downward direction. Discharge pipework must be left open to the environment.

■ Piping diagram for 2-zone temperature control

Connect the pipe work and locally supplied parts according to the relevant circuit diagram shown in Section 3. Technical Information, of this manual. For more details on wiring, refer to "4.4.3 Wiring for 2-zone temperature controls".

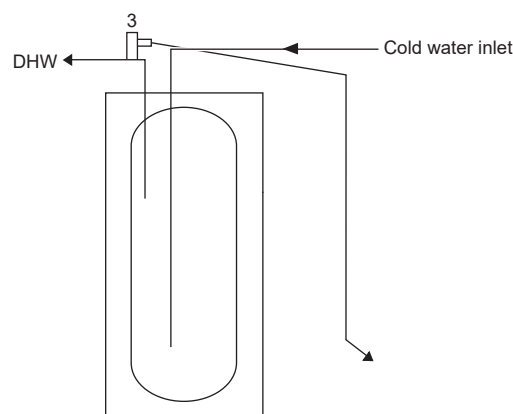
Note: Do not install the thermistors on the mixing tank. This could affect correct monitoring of flow and return temperatures through each zone. Install the Zone2 flow temp. thermistor (THW8) near the mixing valve.

<UK model> EHPT20X-MHEDW



<Other models>

The expansion vessel on the sanitary water side shall be installed as necessary in accordance with your local regulations.



<Figure 4.6.6>

4 Cylinder unit

4.6.5 Safety Device Discharge Arrangements (G3)

The following instructions are a requirement of UK Building Regulations and must be adhered to. For other countries please refer to local legislation. If you are in any doubt please seek advice from local building planning office.

1. Position the inlet control group so that discharge from both safety valves can be joined together via a 15 mm end feed Tee.
2. Connect the tundish and route the discharge pipe as shown in Figure 4.6.7.
3. The tundish should be fitted vertically and as close to the safety device as possible and within 500 mm of the device.
4. The tundish should be visible to occupants and positioned away from electrical devices.
5. The discharge pipe (D2) from the tundish should terminate in a safe place where there is no risk to persons in the vicinity of the discharge, be of metal construction and:
 - i. Ideally below a fixed grating and above the water seal in a trapped gully.
 - ii. Downward discharges at low level; i.e. up to 100 mm above external surfaces such as car parks, hard standings, grassed areas etc. are acceptable providing that where children may play or otherwise come into contact with discharges a wire cage or similar guard is positioned to prevent contact, whilst maintaining visibility.
 - iii. Discharges at high level; e.g. into a metal hopper and metal down pipe with the end of the discharge pipe clearly visible (tundish visible or not) or onto a roof capable of withstanding high temperature discharges of water and 3 m from any plastic guttering system that would collect such discharges (tundish visible).
 - iv. Where a single pipe serves a number of discharges, such as in blocks of flats, the number served should be limited to not more than 6 systems so that any installation discharging can be traced reasonably easily. The single common discharge pipe should be at least one pipe size larger than the largest individual discharge pipe (D2) to be connected. If unvented hot water storage systems are installed where discharges from safety devices may not be apparent i.e. in dwellings occupied by blind, infirm or disabled people, consideration should be given to the installation of an electronically operated device to warn when discharge takes place.

A) Be at least one pipe size larger than the nominal outlet size of the safety device unless its total equivalent hydraulic resistance exceeds that of a straight pipe 9 m long i.e. discharge pipes between 9 m and 18 m equivalent resistance length should be at least two sizes larger than the nominal outlet size of the safety device, between 18 and 27 m at least 3 sizes larger, and so on. Bends must be taken into account in calculating the flow resistance. Refer to Figure 4.6.7, Table 4.6.5 and the worked example. An alternative approach for sizing discharge pipes would be to follow BS 6700: 1987 specification for design installation, testing and maintenance of services supplying water for domestic use within buildings and their cartilages.

B) Have a vertical section of pipe at least 300 mm long, below the tundish before any elbows or bends in the pipework.

C) Be installed with a continuous fall.

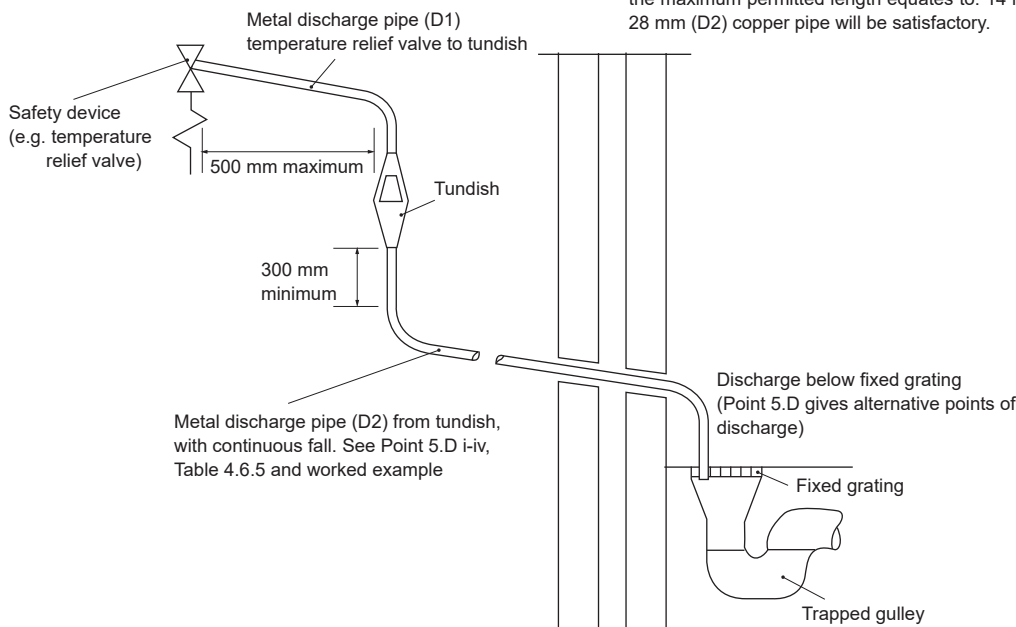
D) Have discharges visible at both the tundish and the final point of discharge but where this is not possible or is practically difficult there should be clear visibility at one or other of these locations. Examples of acceptable discharge arrangements are:

- i. Ideally below a fixed grating and above the water seal in a trapped gully.
- ii. Downward discharges at low level; i.e. up to 100 mm above external surfaces such as car parks, hard standings, grassed areas etc. are acceptable providing that where children may play or otherwise come into contact with discharges a wire cage or similar guard is positioned to prevent contact, whilst maintaining visibility.
- iii. Discharges at high level; e.g. into a metal hopper and metal down pipe with the end of the discharge pipe clearly visible (tundish visible or not) or onto a roof capable of withstanding high temperature discharges of water and 3 m from any plastic guttering system that would collect such discharges (tundish visible).
- iv. Where a single pipe serves a number of discharges, such as in blocks of flats, the number served should be limited to not more than 6 systems so that any installation discharging can be traced reasonably easily. The single common discharge pipe should be at least one pipe size larger than the largest individual discharge pipe (D2) to be connected. If unvented hot water storage systems are installed where discharges from safety devices may not be apparent i.e. in dwellings occupied by blind, infirm or disabled people, consideration should be given to the installation of an electronically operated device to warn when discharge takes place.

Note: The discharge will consist of scalding water and steam. Asphalt, roofing felt and nonmetallic rainwater goods may be damaged by such discharges.

Worked example: The example below is for a G½ temperature relief valve with a discharge pipe (D2) having 4 No. elbows and length of 7 m from the tundish to the point of discharge.

From Table 4.6.5: Maximum resistance allowed for a straight length of 22 mm copper discharge pipe (D2) from a G½ temperature relief valve is: 9.0 m subtract the resistance for 4 No. 22 mm elbows at 0.8 m each = 3.2 m. Therefore the maximum permitted length equates to: 5.8 m. 5.8 m is less than the actual length of 7 m, therefore calculate the next largest size. Maximum resistance allowed for a straight length of 28 mm pipe (D2) from a G½ temperature relief valve equates to: 18 m Subtract the resistance for 4 No. 28 mm elbows at 1.0 m each = 4 m. Therefore the maximum permitted length equates to: 14 m. As the actual length is 7 m, a 28 mm (D2) copper pipe will be satisfactory.



<Figure 4.6.7>

Valve outlet size	Minimum size of discharge pipe D1	Minimum size of discharge pipe D2 from tundish	Maximum resistance allowed, expressed as a length of straight pipe (no elbows or bends)	Resistance created by each elbow or bend
G 1/2	15 mm	22 mm	Up to 9 m	0.8 m
		28 mm	Up to 18 m	1.0 m
		35 mm	Up to 27 m	1.4 m
G 3/4	22 mm	28 mm	Up to 9 m	1.0 m
		35 mm	Up to 18 m	1.4 m
		42 mm	Up to 27 m	1.7 m
G1	28 mm	35 mm	Up to 9 m	1.4 m
		42 mm	Up to 18 m	1.7 m
		54 mm	Up to 27 m	2.3 m

<Table 4.6.5>

4 Cylinder unit

4.7. System Set Up

4.7.1 Remote Controller Options

The indoor unit comes factory fitted with a main remote controller. This incorporates a thermistor for temperature monitoring and a graphical user interface to enable set-up, view current status and input scheduling functions. The main remote controller is also used for servicing purposes. This facility is accessed via password protected service menus.

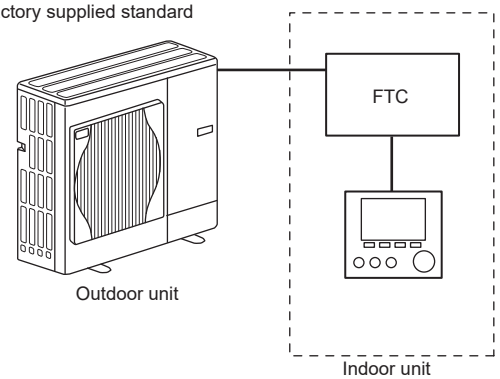
To provide the best efficiency Mitsubishi Electric recommends using automatic adaptation function based on room temperature. To use this function a room thermistor needs to be present in a main living area. This can be done in a number of ways the most convenient are detailed below. Refer to heating section of this manual for instructions on how to set compensation curve, Flow temp. or Room temp. (Auto adaptation).

For instructions on how to set the thermistor input for the FTC please refer to Initial settings section.

The factory setting for space heating mode is set to Room temp. (auto adaptation). If there is no room sensor present in the system, this setting must be changed to either Compensation curve mode or Flow temp. mode.

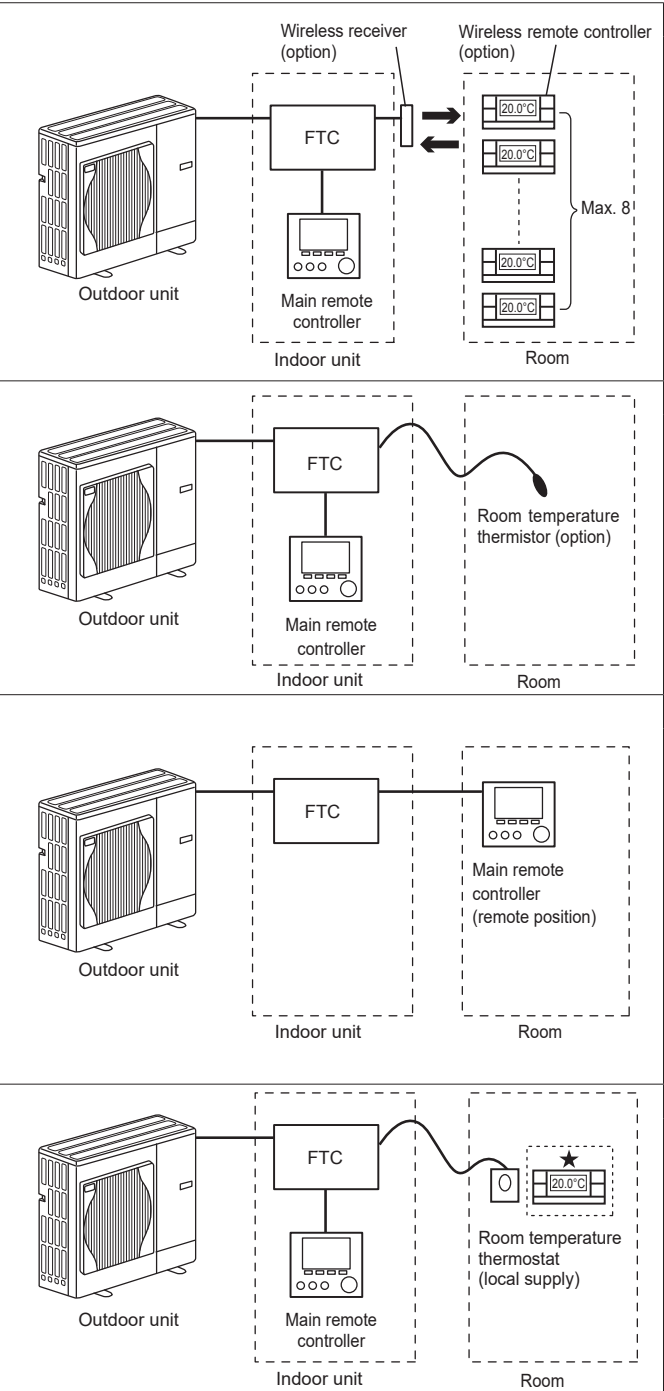
Note: Auto-adaptation is not available in Cooling mode.

Factory supplied standard



■ 1-zone temperature control

<p>Control option A</p>
<p>This option features the main remote controller and the Mitsubishi Electric wireless remote controller. The wireless remote controller is used to monitor room temperature and can be used to make changes to the space heating settings, boost DHW (*1) and switch to holiday mode without having to directly use the main remote controller.</p> <p>If more than one wireless remote controller is used, the most recently requested temperature setting will commonly be applied to all rooms by the central control system regardless of which wireless remote controller was used. No hierarchy exists across these remote controllers.</p> <p>Wire the wireless receiver to FTC referring to the wireless remote controller instruction manual. Turn DIP SW1-8 to ON. Before operation configure the wireless remote controller to transmit and receive data referring to the wireless remote controller installation manual.</p>
<p>Control option B</p>
<p>This option features the main remote controller and the Mitsubishi Electric thermistor wired to FTC. The thermistor is used to monitor room temperature but can not make any changes in control operation. Any changes to DHW (*1) must be made using the main remote controller mounted on the indoor unit.</p> <p>Wire the thermistor to the TH1 connector on FTC.</p> <p>The number of room temperature thermistors that can be connected to FTC is always one.</p>
<p>Control option C</p>
<p>This option features the main remote controller being removed from the indoor unit and situated in a different room. A thermistor built in the main remote controller can be used for monitoring the room temperature for Auto Adaptation function whilst keeping all its features of the main remote controller available.</p> <p>The main remote controller and FTC are connected by a 2-core, 0.3 mm², non-polar cable (local supply) with a maximum length of 500 m.</p> <p>To use the sensor in the main remote controller the main remote controller should come off from the indoor unit. Otherwise it will detect the temperature of the indoor unit instead of room temperature. This will affect the output of the space heating.</p> <p>Note: Wiring for main remote controller cable shall be (5 cm or more) apart from power source wiring so that it is not influenced by electrical noise from power source wiring. (Do NOT insert main remote controller cable and power source wiring in the same conduit.)</p>
<p>Control option D (Flow temp. or compensation curve only)</p>
<p>This option features the main remote controller and a locally supplied thermostat wired to FTC. The thermostat is used to set the maximum temperature for heating room. Any changes to DHW (*1) must be made using main remote controller mounted on the indoor unit.</p> <p>The thermostat is wired to IN1 in TBI.1 on FTC. The number of thermostats that can be connected to FTC is always one.</p> <p>★ The wireless remote controller can be also used as a thermostat.</p>



*1 If applicable

4 Cylinder unit

2-zone temperature control

Control option A

This option features the main remote controller, the Mitsubishi Electric wireless remote controller and a locally supplied thermostat.

The wireless remote controller is used to monitor the Zone1 room temperature and the thermostat is used to monitor the Zone2 room temperature.

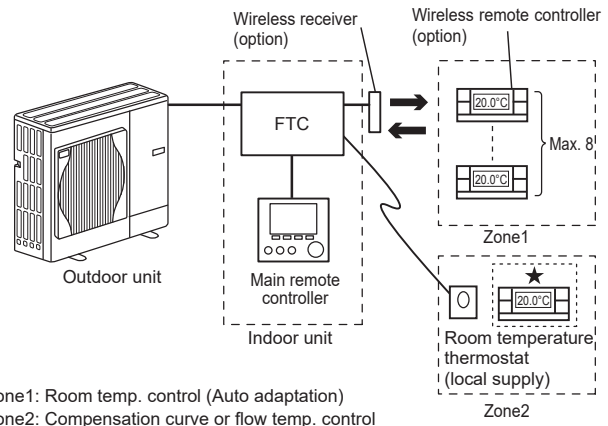
The thermostat can be also allocated to Zone1 and the wireless remote controller to Zone2.

The wireless remote controller can be also used to make changes to the space heating settings, boost DHW (*1) and switch to holiday mode without having to use the main remote controller.

If more than one wireless remote controller is used, the last temperature setting adjustment/demand will be applied to ALL rooms in same zone.

Wire the wireless receiver to the wireless remote controller instruction manual. Turn DIP SW1-8 to ON. Before operation configure the wireless remote controller to transmit and receive data referring to the wireless remote controller installation manual.

The thermostat is used to set the maximum temperature for heating Zone2 room. The thermostat is wired to IN6 on FTC. (If the thermostat is allocated to Zone1, it is wired to IN1 on TBI.1.) (Refer to 4.4.2.)



Zone1: Room temp. control (Auto adaptation)
Zone2: Compensation curve or flow temp. control

Control option B

This option features the main remote controller, the Mitsubishi Electric thermistor and a locally supplied thermostat that are wired to FTC.

The thermistor is used to monitor the Zone1 room temperature and the thermostat is used to control the Zone2 room temperature.

The thermostat can be also allocated to Zone1 and the thermistor to Zone2.

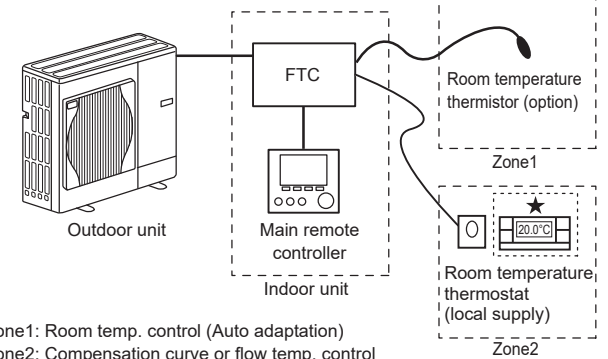
The thermistor can not make any changes in control operation. Any changes to DHW (*1) must be made using the main remote controller mounted on the indoor unit.

Wire the thermistor to the TH1 connector on FTC.

The number of room temperature thermistors that can be connected to FTC is always one.

The thermostat is used to set the maximum temperature for heating Zone2 room.

The thermostat is wired to IN6 on FTC. (If the thermostat is allocated to Zone1, wire it to IN1 on TBI.1.) (Refer to 4.4.2.)



Zone1: Room temp. control (Auto adaptation)
Zone2: Compensation curve or flow temp. control

Control option C

This option features the main remote controller (with in-built thermistor) that is removed from the indoor unit to monitor the Zone1 room temperature and a locally supplied thermostat to monitor the Zone2 room temperature.

The thermostat can be also allocated to Zone1 and the thermistor to Zone2.

A thermistor built into the main remote controller can be used for monitoring the room temperature for Auto Adaptation function whilst keeping all its features of the main remote controller available.

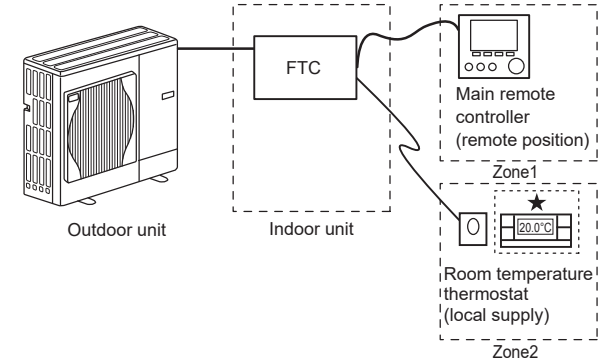
The main remote controller and FTC are connected by a 2-core, 0.3 mm², non-polar cable (local supply) with a maximum length of 500 m.

To use the sensor in the main remote controller the main remote controller should be detached from the indoor unit. Otherwise it will detect the temperature of the indoor unit instead of room temperature. This will affect the output of the space heating.

The thermostat is used to set the maximum temperature for heating Zone2 room.

The thermostat is wired to IN6 on FTC. (If the thermostat is allocated to Zone1, wire it to IN1 on TBI.1.) (Refer to 4.4.2.)

Note: Wiring for main remote controller cable shall be (5 cm or more) apart from power source wiring so that it is not influenced by electrical noise from power source wiring. (Do NOT insert main remote controller cable and power source wiring in the same conduit.)



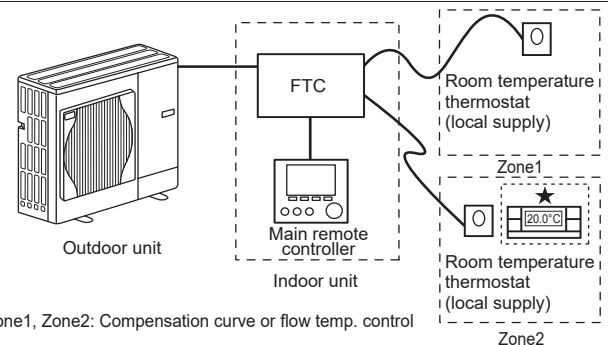
Zone1: Room temp. control (Auto adaptation)
Zone2: Compensation curve or flow temp. control

Control option D

This option features the locally supplied thermostats wired to FTC. The thermostats are individually allocated to Zone1 and Zone2. The thermostats are used to set each maximum temperature for heating Zone1 and Zone2 rooms. Any changes to DHW (*1) must be made using the main remote controller mounted on the indoor unit.

The thermostat for Zone1 is wired to IN1 in TBI.1 on FTC.

The thermostat for Zone2 is wired to IN6 in TBI.1 on FTC.



Zone1, Zone2: Compensation curve or flow temp. control

*1 If applicable

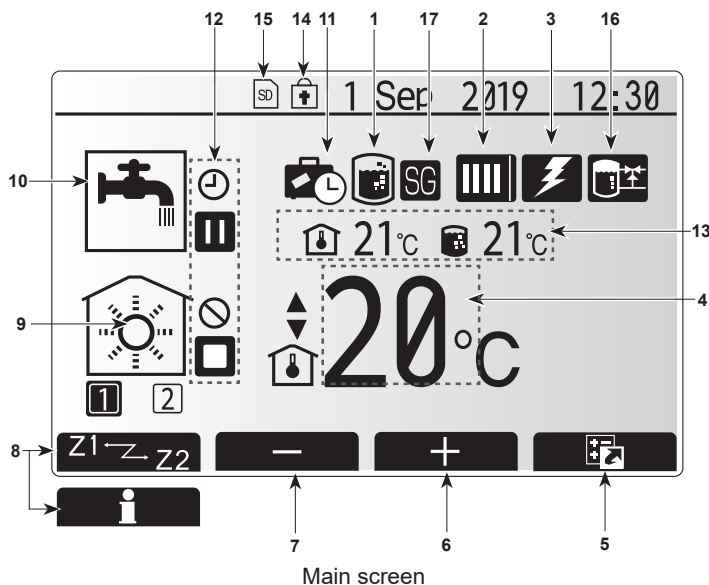
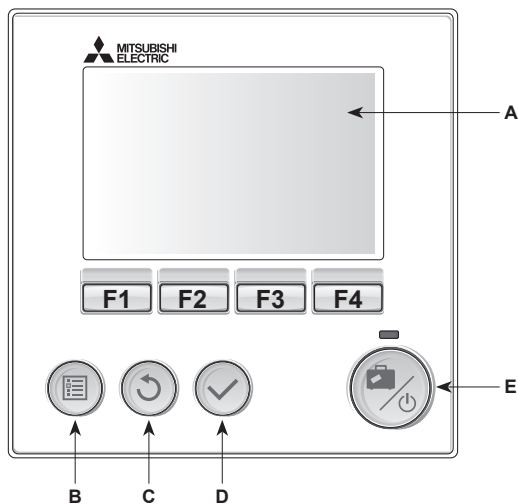
*2 For the options above, the sensor types can be exchanged between Zone1 and Zone2. (e.g. Wireless remote controller in Zone1 and Room temp. thermostat in Zone2 can be changed to Room temp. thermostat and wireless remote controller, respectively).

★ The wireless remote controller can be also used as a thermostat.

4 Cylinder unit

4.7.2 Main remote controller

To change the settings of your heating/cooling system please use the main remote controller located on the front panel of the cylinder unit or hydrobox. The following is a guide to viewing the main settings. Should you require more information please contact your installer or local Mitsubishi Electric dealer. Cooling mode is available for ERS series only. However, Cooling mode is not available when the indoor unit is connected to PUAZ-FRP.



<Main remote controller parts>

Letter	Name	Function
A	Screen	Screen in which all information is displayed
B	Menu	Access to system settings for initial set up and modifications.
C	Back	Return to previous menu.
D	Confirm	Used to select or save. (Enter key)
E	Power/Holiday	If system is switched off pressing once will turn system ON. Pressing again when system is switched on will enable Holiday Mode. Holding the button down for 3 seconds will turn the system off. (*1)
F1-4	Function keys	Used to scroll through menu and adjust settings. Function is determined by the menu screen visible on screen A.

*1

When the system is switched off or the power supply is disconnected, the indoor unit protection functions (e.g. freeze stat. function) will NOT operate. Please beware that without these safety functions enabled the indoor unit may potentially become exposed to damage.

<Main screen icons>

Icon	Description	
1	Legionella prevention When this icon is displayed 'Legionella prevention mode' is active.	
2	Heat pump <ul style="list-style-type: none"> 'Heat pump' is running. Defrosting Emergency heating 'Quiet mode' is activated. 	
3	Electric heater When this icon is displayed the 'Electric heaters' (booster or immersion heater) are in use.	
4	Target temperature <ul style="list-style-type: none"> Target flow temperature Target room temperature Compensation curve 	
5	OPTION Pressing the function button below this icon will display the option screen.	
6	+	Increase desired temperature.
7	-	Decrease desired temperature.
8	Z1 Z2 Pressing the function button below this icon switches between Zone1 and Zone2. Information Pressing the function button below this icon displays the information screen.	
9	Space heating/cooling mode <ul style="list-style-type: none"> Heating mode Zone1 or Zone2 Cooling mode Zone1 or Zone2 	
10	DHW mode Normal or ECO mode	
11	Holiday mode When this icon is displayed 'Holiday mode' activated.	
12	<ul style="list-style-type: none"> Timer Prohibited Server control Stand-by Stand-by (*2) Stop Operating 	
13	Current temperature <ul style="list-style-type: none"> Current room temperature Current water temperature of DHW tank 	
14	<ul style="list-style-type: none"> The Menu button is locked or the switching of the operation modes between DHW and Heating operations are disabled in the Option screen. (*3) 	
15	<ul style="list-style-type: none"> SD memory card is inserted. Normal operation. SD memory card is inserted. Abnormal operation. 	
16	Buffer tank control When this icon is displayed 'Buffer tank control' is active.	
17	Smart grid ready When this icon is displayed, 'Smart grid ready' is active.	

*2 This unit is in Stand-by whilst other indoor unit(s) is in operation by priority.

*3 To lock or unlock the Menu, press the BACK and CONFIRM keys simultaneously for 3 seconds.

4 Cylinder unit

Initial settings wizard

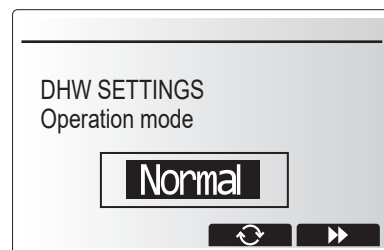
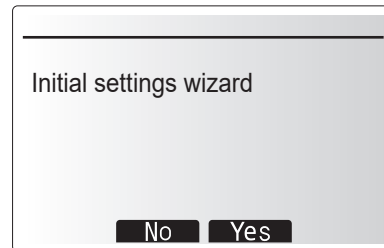
When the main remote controller is switched on for the first time, the screen automatically goes to Language setting screen, Date/Time setting screen and Main settings menu screen in order. Enter the desired number using the function keys and press CONFIRM.

Note:
<HEATER CAPACITY RESTRICTION>

This setting restricts the booster heater capacity. It is NOT possible to change the setting after starting up. If you do not have any special requirements (such as building regulations) in your country, skip this setting (select "No").

- Hot water (DHW/Legionella)
- Heating/Cooling
- Operation (ON/Prohibited/Timer)
- Pump speed
- Heat pump flow rate range
- Mixing valve control
- HEATER CAPACITY RESTRICTION

*1 The screen goes to the next setting screen. Changes have not been saved.



Main Settings Menu

The main settings menu can be accessed by pressing the MENU button. To reduce the risk of untrained end users altering the settings accidentally there are two access levels to the main settings; and the service section menu is password protected.

User Level – Short press

If the MENU button is pressed once for a short time the main settings will be displayed but without the edit function. This will enable the user to view current settings but NOT change the parameters.

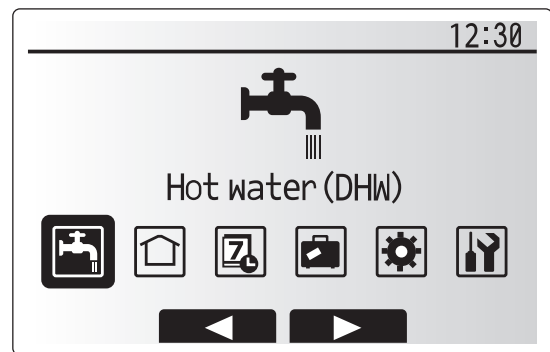
Installer Level – Long press

If the MENU button is pressed down for 3 seconds the main settings will be displayed with all functionality available.

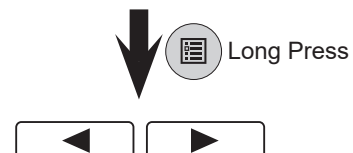
The colour of ◀▶ buttons is inverted, as per figure on right. <Fig. 4.7.1>

The following items can be viewed and/or edited (dependent on access level).

- Domestic Hot water (DHW)
- Heating/Cooling
- Schedule timer
- Holiday mode
- Initial settings
- Service (Password protected)



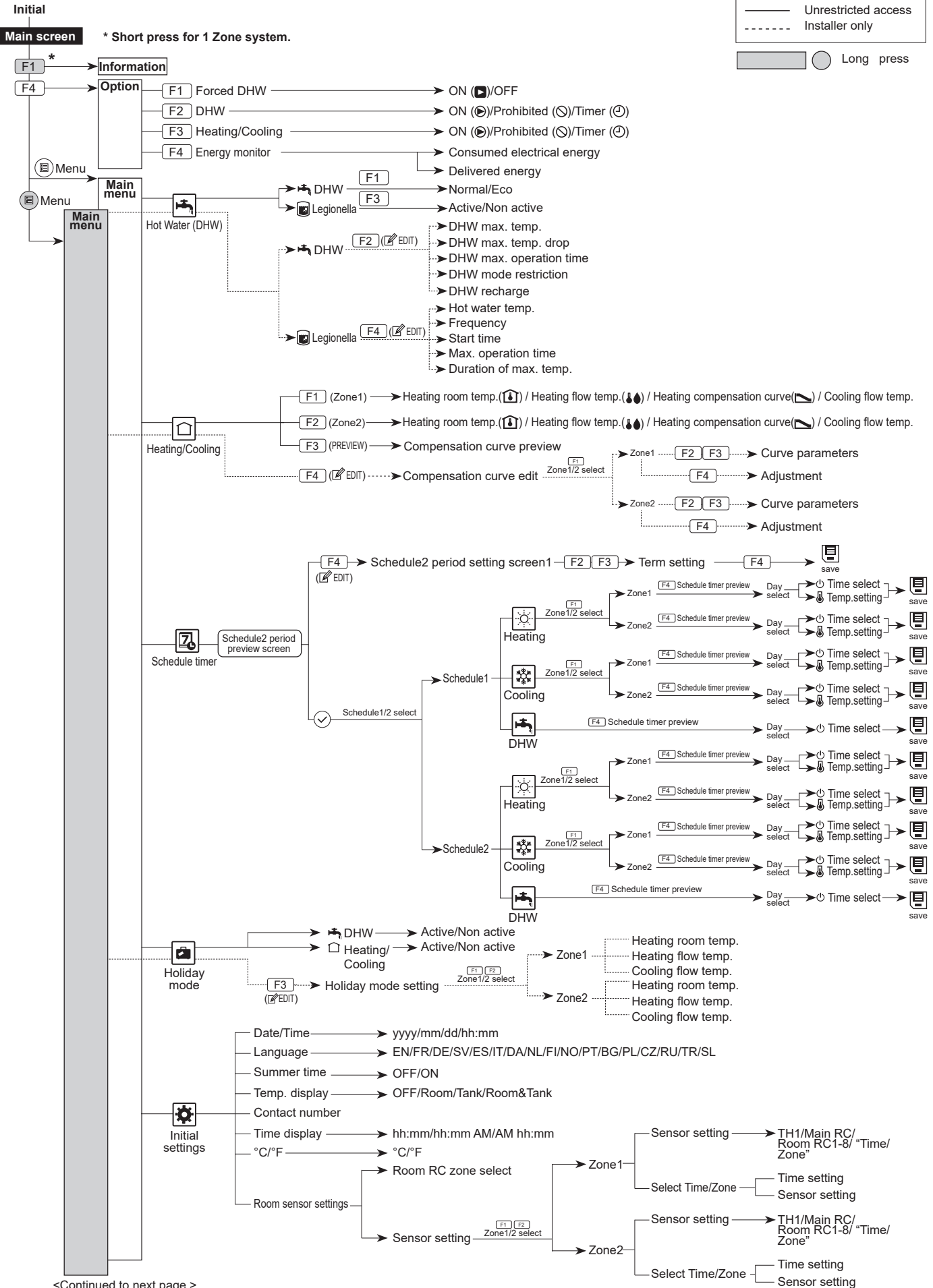
Main menu



<Fig 4.7.1>

4 Cylinder unit

<Main Controller Menu Tree>



Cylinder unit/
Hydrobox/GSHP/W/TW

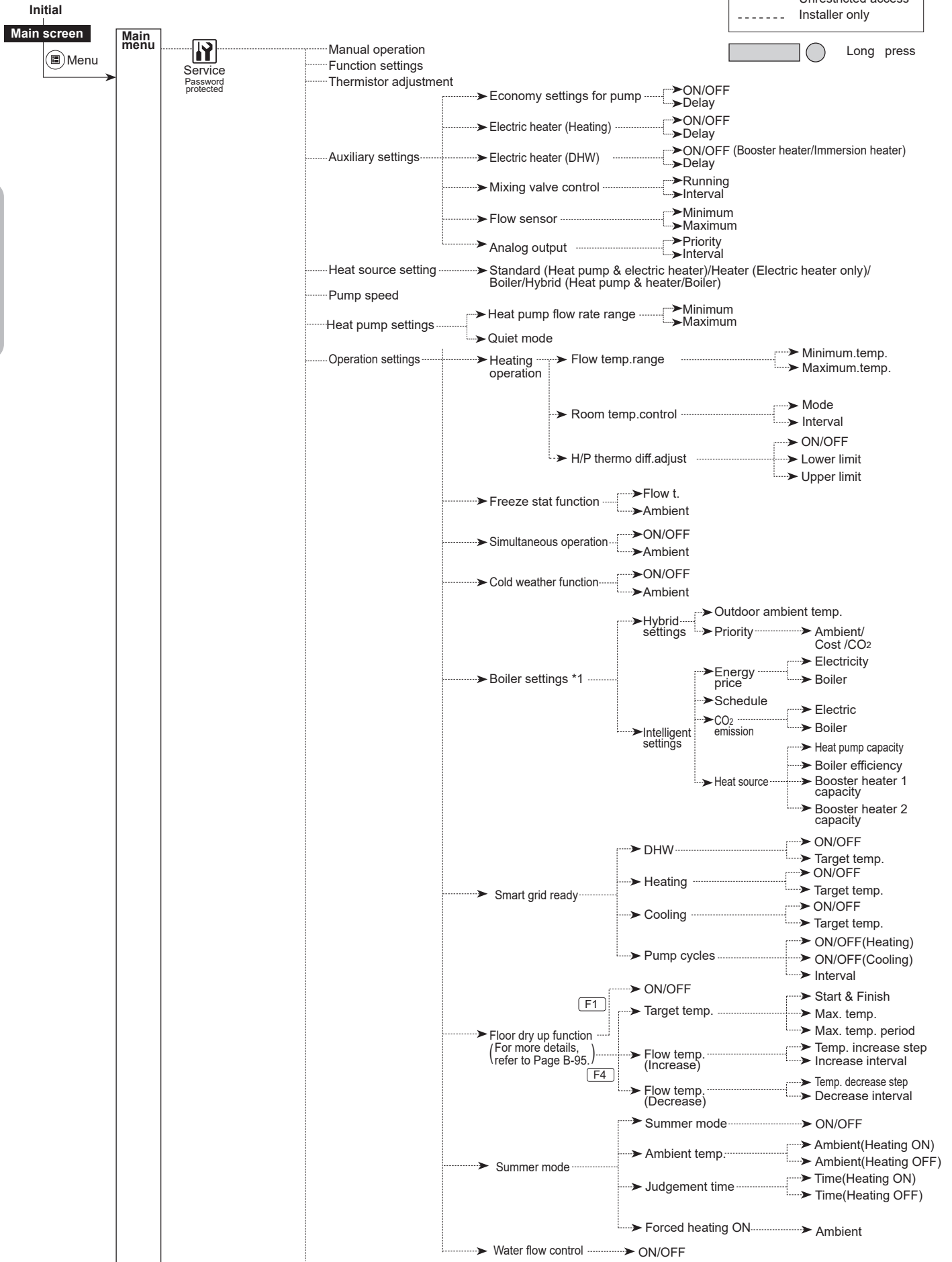
<Continued to next page.>

4 Cylinder unit

<Continued from the previous page.>

<Main Controller Menu Tree>

Cylinder unit/
Hydrobox/GSHP/WTW



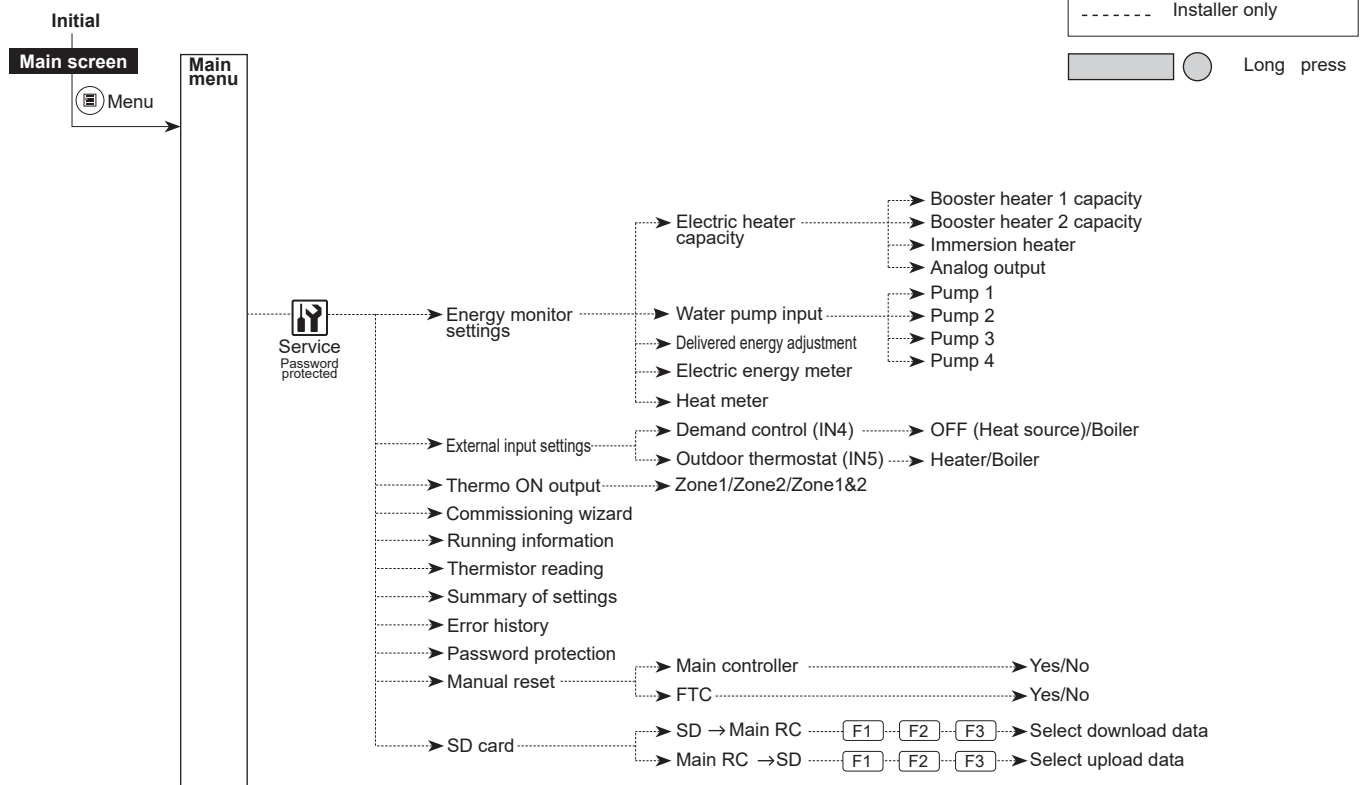
— Unrestricted access
 - - - - - Installer only
 [Grey Box] [Circle] Long press

*1 For more details, refer to the installation manual of PAC-TH012HT-(L)E.

4 Cylinder unit

<Continued from the previous page.>

<Main Controller Menu Tree>



Domestic Hot Water (DHW)/Legionella Prevention

The domestic hot water and legionella prevention menus control the operation of DHW tank heat ups.

<DHW mode settings>

1. Highlight the hot water icon and press CONFIRM.
2. Use button F1 to switch between Normal and ECO heating modes.
3. To edit the mode, press down the MENU button for 3 seconds, then select "hot water".
4. Press F2 key to display the Hot Water (DHW) SETTING menu.
5. Use F2 and F3 keys to scroll through the menu selecting each component in turn by pressing CONFIRM. See the table below for description of each setting.
6. Enter the desired number using the function keys and press CONFIRM.



Menu subtitle	Function	Range	Unit	Default value
DHW max. temp.	Desired temperature of stored hot water	40 - 60	°C	50
DHW max. temp. drop	Difference in temperature between DHW max. temp. and the temperature at which DHW mode restarts	5 - 30 *	°C	10
DHW max. operation time	Max. time allowed for stored water heating DHW mode	30 - 120	min	60
DHW mode restriction	The time period after DHW mode when space heating has priority over DHW mode temporarily preventing further stored water heating (Only when DHW max. operation time has passed.)	30 - 120	min	30

* When the DHW max. temp is set over 55°C, the temperature at which DHW mode restarts must be less than 50°C to protect the device.

<Eco mode>

DHW mode can run in either 'Normal' or 'Eco' mode. Normal mode will heat the water in the DHW tank more quickly using the full power of the heat pump. Eco mode takes a little longer to heat the water in the DHW tank but the energy used is reduced. This is because heat pump operation is restricted using signals from the FTC based on measured DHW tank temperature.

Note: The actual energy saved in Eco mode will vary according to outdoor ambient temperature.

<DHW recharge>

Select the amount of DHW. If you need much hot water, select LARGE, but increase operating costs.

Return to the DHW/legionella prevention menu.

4 Cylinder unit

Legionella Prevention Mode settings (LP mode)

1. Use button F3 to choose legionella mode active YES/NO.
2. To edit the legionella function, press down the MENU button for 3 seconds and select "hot water", then press F4 key.
3. Use F1 and F2 keys to scroll through the menu selecting each subtitle in turn by pressing CONFIRM. See the table below for description of each setting.
4. Enter the desired number using the function keys and press CONFIRM.

During Legionella Prevention Mode the temperature of the stored water is increased above 60°C to inhibit legionella bacteria growth. It is strongly recommended that this is done at regular intervals. Please check local regulations for the recommended frequency of heat ups.

Please note that LP mode uses the assistance of electric heaters to supplement the energy input of the heat pump. Heating water for long periods of time is not efficient and will increase running costs. The installer should give careful consideration to the necessity of legionella prevention treatment whilst not wasting energy by heating the stored water for excessive time periods. The end user should understand the importance of this feature.

ALWAYS COMPLY WITH LOCAL AND NATIONAL GUIDANCE FOR YOUR COUNTRY REGARDING LEGIONELLA PREVENTION.

Note: When failures occur on the indoor unit, the LP mode may not function normally.

Menu subtitle	Function	Range	Unit	Default value
Hot water temp.	Desired temp. of stored hot water	60 – 70	°C	65
Frequency	Time between LP mode DHW tank heat up	1 – 30	day	15
Start time	Time when LP mode will begin	0:00 – 23:00	-	03:00
Max. operation time	Maximum time allowed for LP mode DHW tank heat	1 – 5	hour	3
Duration of max. temp.	The time period after LP mode desired water temp. has been reached	1 – 120	min	30

Heating/Cooling

The heating/cooling menus deal with space heating/cooling using normally either a radiator, fan-coil, or underfloor heating/cooling system depending on the installation.

There are 3 heating modes

- Heating room temp. (Auto adaptation) (🏠)
- Heating flow temp. (💧)
- Heating compensation curve (📈)
- Cooling flow temp. (💧)

<Room temp. (Auto adaptation) mode>

In room temp. (Auto adaptation) mode the controller uses temperature sensors around the heating system to monitor space and flow temperatures. This data is regularly updated and compared to previous data by the controller to predict changes in room temperature and adjust the temperature of water flowing to the space heating circuit accordingly.

By monitoring not only the outdoor ambient, but the room and heating circuit water temperatures, the heating is more consistent and sudden spikes in required heat output are reduced. This results in a lower overall flow temperature being required.

<Flow temp. mode>

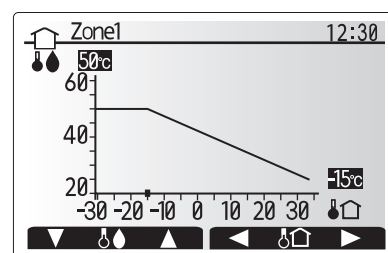
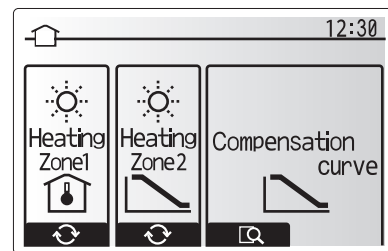
The temperature of the water flowing to the heating circuit is set by the installer to best suit the space heating/cooling system design, and user's desired requirements.

Explanation of compensation curve

During late spring and summer usually the demand for space heating is reduced. To prevent the heat pump from producing excessive flow temperatures for the primary circuit the compensation curve mode can be used to maximise efficiency and reduce running costs.

The compensation curve is used to restrict the flow temperature of the primary space heating circuit dependent on the outdoor temperature. The FTC uses information from both an outdoor temperature sensor and a temperature sensor on the primary circuit supply to ensure the heat pump is not producing excessive flow temperatures if the weather conditions do not require it.

Your installer will set the parameters of the graph depending on local conditions and type of space heating used in your home. It should not be necessary for you to alter these settings. If however you find that over a reasonable operating period the space heating is not heating or is overheating your home, please contact your installer so they can check your system for any problems and update these settings if necessary.



🏠 : Flow temp.
 🏠 : Outdoor ambient temp.

4 Cylinder unit

Schedule timer

Scheduled timer can be set in two ways, for example; one for summer and the other for winter. (Refer to as "Schedule 1" and "Schedule 2" respectively.) Once the term (months) for the Schedule 2 is specified, rest of the term will be specified as Schedule 1. In each Schedule, an operational pattern of modes (Heating/Cooling/DHW) can be set. If no operational pattern is set for Schedule 2, only the pattern for Schedule 1 will be valid. If Schedule 2 is set to full-year (i.e. March to Feb.), only the operational pattern for Schedule 2 will be valid.

The schedule timer is activated or deactivated in the option screen. (See 'General Operation' section)

<Setting the Schedule period>

1. From the main settings menu use F2 and F3 to highlight the schedule icon then press CONFIRM.
2. The Schedule period preview screen is displayed.
3. To change the Schedule period, press F4. button.
4. The time bar edit screen is displayed.
5. Use F2/F3 button to point at a starting month of the Schedule 2, then press CONFIRM.
6. Use F2/F3 button to point at an ending month of the Schedule 2, then press CONFIRM.
7. Press F4 to save settings.

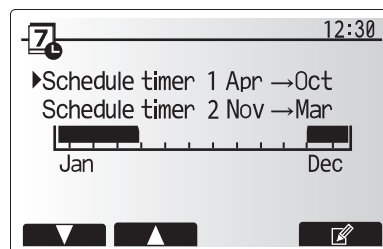
<Setting the Schedule timer>

1. From the main settings menu use F2 and F3 to highlight the schedule icon then press CONFIRM.
2. From the Schedule 2 period preview screen use F1 and F2 to scroll through the selecting each subtitle in turn by pressing CONFIRM.
3. The schedule timer sub menu will be displayed. The icons show the following modes;
 - Heating
 - Cooling
 - DHW
4. Use F2 and F3 buttons to move between mode icons press CONFIRM to be shown the PREVIEW screen for each mode.

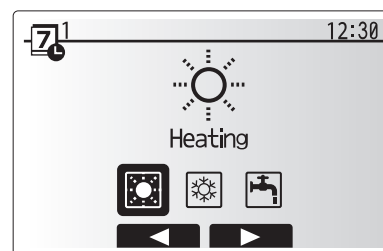
The preview screen allows you to view the current settings. In 2-zone heating/cooling operation, press F1 to switch between Zone1 and Zone2. Days of the week are displayed across the top of the screen. Where day appears underlined the settings are the same for all those days underlined. Hours of the day and night are represented as a bar across the main part of the screen. Where the bar is solid black, space heating/cooling and DHW (whichever is selected) is allowed.

5. In the preview menu screen press F4 button.

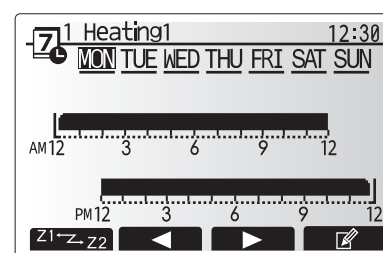
6. First select the days of the week you wish to schedule.
7. Press F2/F3 buttons to move between days and F1 to check or uncheck the box.
8. When you have selected the days press CONFIRM.



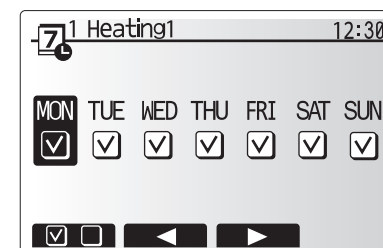
Schedule 2 period preview screen



Schedule 1 mode select screen



Preview screen



Day of week select screen

4 Cylinder unit

9. The time bar edit screen will be displayed.
10. Use buttons F2/F3 to move to the point at which you do not want the selected mode to be active press CONFIRM to start.
11. Use F3 button to set the required time of inactivity then press CONFIRM.
12. You can add up to 4 periods of inactivity within a 24 hour interval.

13. Press F4 to save settings.

When scheduling heating, button F1 changes the scheduled variable between time and temperature. This enables a lower temperature to be set for a number of hours e.g. a lower temperature may be required at night when the occupants are sleeping.

Notes:

- The schedule timer for space heating/cooling and DHW are set in the same way. However for DHW only time can be used as scheduling variable.
- A small rubbish bin character is also displayed choosing this icon will delete the last unsaved action.
- It is necessary to use the SAVE function F4 button to save settings. CONFIRM does NOT act as SAVE for this menu.

Holiday mode

Holiday mode can be used to keep the system running at lower flow temperatures and thus reduced power usage whilst the property is unoccupied. Holiday mode can run either flow temp., room temp., heating, compensation curve heating and DHW all at reduced flow temperatures to save energy if the occupier is absent.

From the main menu screen press button E should be pressed. Be careful not to hold down button E for too long as this will turn off the controller and system.

Once the holiday mode activation screen is displayed you can activate/deactivate and select the duration that you would like holiday mode to run for.

- Press button F1 to activate or deactivate holiday mode.
- Use buttons F2, F3 and F4 to input the date which you would like holiday mode to activate or deactivate holiday mode for space heating.

<Editing holiday mode>

Refer to the menu tree in "Main remote controller" of Installation Manual. Should you require the Holiday mode settings e.g. the flow temp., room temp. to be altered you should contact your installer.

Initial Settings

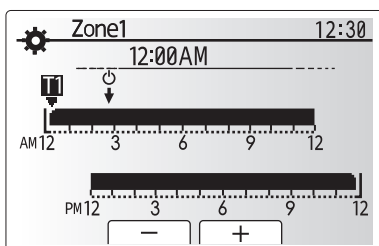
From the Initial settings menu the installer can set the following.

- Date/Time *Be sure to set it to the local standard time.
- Language
- Summer time
- Temp. display
- Contact number
- Time display
- °C/°F
- Room sensor settings

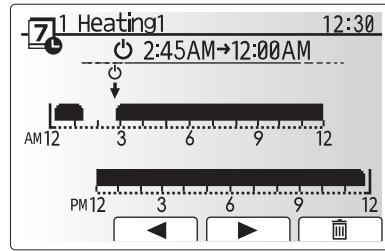
Follow the procedure described in General Operation for the set up operation.

<Room sensor settings>

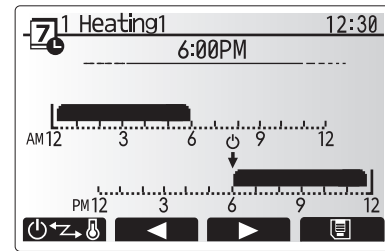
For room sensor settings it is important to choose the correct room sensor depending on the heating mode the system will operate in.



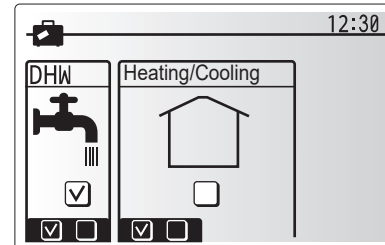
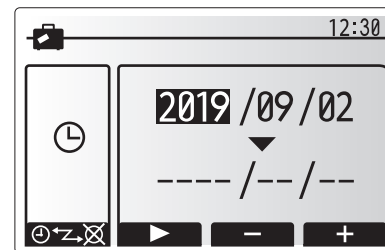
Time/Zone schedule setting screen



Time of period setting screen 1



Time of period setting screen 2



Menu subtitle	Description																				
Room RC zone select	When 2-zone temperature control is active and wireless remote controllers are available, from Room RC zone select screen, select zone no. to assign to each main remote controller.																				
Sensor setting	From sensor setting screen, select a room sensor to be used for monitoring the room temperature from Zone1 and Zone2 separately. <table border="1" style="width: 100%; margin-top: 10px;"> <thead> <tr> <th rowspan="2">Control option (Section 4.7.1)</th> <th colspan="2">Corresponding initial settings room sensor</th> </tr> <tr> <th>Zone1</th> <th>Zone2</th> </tr> </thead> <tbody> <tr> <td>A</td> <td>Room RC 1-8 (one each for Zone1 and Zone2)</td> <td>*1</td> </tr> <tr> <td>B</td> <td>TH1</td> <td>*1</td> </tr> <tr> <td>C</td> <td>Main remote controller</td> <td>*1</td> </tr> <tr> <td>D</td> <td>*1</td> <td>*1</td> </tr> <tr> <td>When different room sensors are used according to the time schedule</td> <td>Time/ Zone*2</td> <td>*1</td> </tr> </tbody> </table>	Control option (Section 4.7.1)	Corresponding initial settings room sensor		Zone1	Zone2	A	Room RC 1-8 (one each for Zone1 and Zone2)	*1	B	TH1	*1	C	Main remote controller	*1	D	*1	*1	When different room sensors are used according to the time schedule	Time/ Zone*2	*1
Control option (Section 4.7.1)	Corresponding initial settings room sensor																				
	Zone1	Zone2																			
A	Room RC 1-8 (one each for Zone1 and Zone2)	*1																			
B	TH1	*1																			
C	Main remote controller	*1																			
D	*1	*1																			
When different room sensors are used according to the time schedule	Time/ Zone*2	*1																			

*1. Not specified (if a locally-supplied room thermostat is used) Room RC 1-8 (one each for Zone1 and Zone2) (if a wireless remote controller is used as a room thermostat)
*2. From sensor setting screen, select Time/Zone to make it possible to use different room sensors according to the time schedule set in the Select Time/ Zone menu. The room sensors can be switched up to 4 times within 24 hours.

4 Cylinder unit

Service Menu

The service menu provides functions for use by installer or service engineer. It is NOT intended the home owner alters settings within this menu. It is for this reason password protection is required to prevent unauthorised access to the service settings.

The factory default password is "0000".

Follow the procedure described in General Operation for the set up operation.

Many functions can not be set whilst the indoor unit is running. The installer should turn off the unit before trying to set these functions. If the installer attempts to change the settings whilst the unit is running the main remote controller will display a reminder message prompting the installer to stop operation before continuing. By selecting "Yes" the unit will cease operation.

<Manual operation>

During the filling of the system the primary circuit circulation pump and 3-way valve can be manually overridden using manual operation mode.

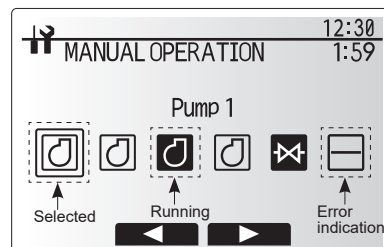
When manual operation is selected a small timer icon appears in the screen. When selected, this function will only remain in manual operation for a maximum of 2 hours.

This is to prevent accidental permanent override of the FTC.

► Example

Pressing F3 button will switch manual operation mode ON for the main 3-way valve. When filling of the DHW tank is complete the installer should access this menu again and press F3 to deactivate manual operation of the part. Alternatively after 2 hours manual operation mode will no longer be active and FTC can resume control of the indoor unit.

Manual operation and heat source setting can not be selected if the system is running. A screen will be displayed asking the installer to stop the system before these modes can be activated.
The system automatically stops 2 hours after last operation.



Manual operation menu screen

<Function settings>

Function Setting allows the setting of auto recovery after power failure.

1. From the service menu use F1 and F2 to highlight Function Setting.
2. Press CONFIRM.
3. Ensure the Ref address and unit number are displayed to the right.
4. Press CONFIRM.
5. Use F3 and F4 to highlight either 1/2/3 (see below).
6. Press CONFIRM.

Setting	Unit	Mode	Number
Auto recovery after power failure	Grp	Mode1	1 - Inactive 2 - Active *1 3 - NO FUNCTION

*1 Approx. 4-minute delay after power is restored.

<Thermistor adjustment>

This function allows adjustments to be made to the thermistor readings from -10 to 10°C in 0.5°C intervals.

THW1: Thermistor (Flow water temp.)

THW2: Thermistor (Return water temp.)

THW5: Thermistor (DHW tank water temp.)

THW6: Thermistor (Zone1 flow temp.)(Option)

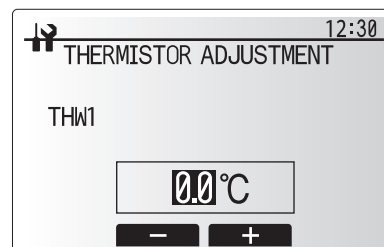
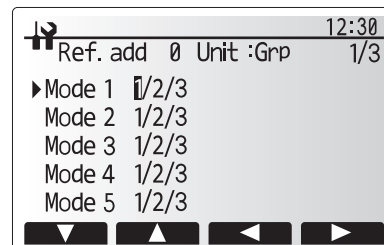
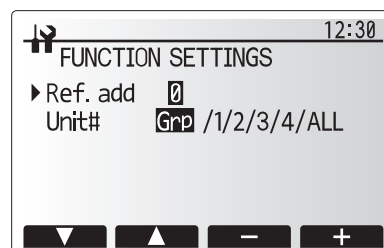
THW7: Thermistor (Zone1 return temp.)(Option)

THW8: Thermistor (Zone2 flow temp.)(Option)

THW9: Thermistor (Zone2 return temp.)(Option)

THW10: Thermistor (Boiler flow temp.)(Option)

THWB1: Thermistor (Boiler return temp.)(Option)



4 Cylinder unit

<Auxiliary settings>

This function is used to set the parameters for any auxiliary parts used in the system

Menu subtitle	Function/ Description
Economy settings for pump	Water pump stops automatically in certain period of time from when operation is finished.
Delay	Time before pump switched off *1
Electric heater (Heating)	To select "WITH booster heater (ON)" or "WITHOUT booster heater (OFF)" in Heating mode.
Delay	The minimum time required for the booster heater to turn ON from after Heating mode has started.
Electric heater (DHW)	To select "WITH (ON)" or "WITHOUT (OFF)" booster heater or immersion heater individually in DHW mode.
Delay	The minimum time required for the booster heater or immersion heater to turn ON from after DHW mode has started. (This setting is applied for both booster and immersion heater.)
Mixing valve control *2	Running
	Interval
Flow sensor *3	Minimum
	Maximum

*1 Decreasing "time before pump switched off" may increase the duration of stand-by in Heating/Cooling mode.

*2 Set the Running time according to the specifications of the actuator of each mixing valve. It is recommended to set the interval to 2 minutes that is a default value. With the interval set longer, it could take longer to warm up a room.

*3 Do not change the setting since it is set according to the specification of Flow sensor attached to the cylinder unit.

Economy settings for pump

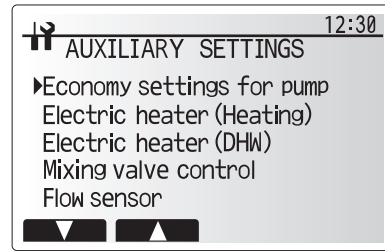
1. From the Auxiliary settings menu highlight Economy Settings for water circulation pump.
2. Press CONFIRM.
3. The economy settings for water circulation pump screen is displayed.
4. Use button F1 to switch the economy settings ON/OFF.
5. Use buttons F3 and F4 to adjust the time the water circulation pump will run. (3-60 minutes)

Electric heater (Heating)

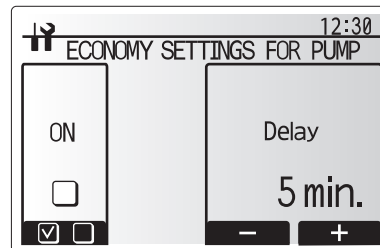
1. From the Auxiliary settings menu highlight Electric heater (Heating).
2. Press CONFIRM.
3. The Electric heater (Heating) screen is displayed.
4. Press F1 button to switch the function ON/OFF.
5. Use F3 and F4 buttons to adjust the time period of heat pump only operation before the booster heater will assist in space heating. (5-180 minutes)

Electric heater (DHW)

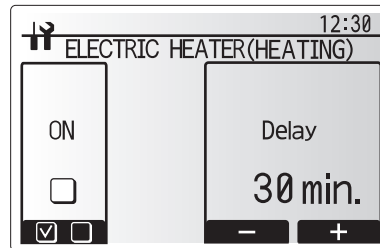
1. From the Auxiliary settings menu highlight Electric heater (DHW).
2. Press CONFIRM.
3. The Electric heater (DHW) screen is displayed.
4. Press F1 and F2 buttons to switch the function ON/OFF. (F1: booster heater, F2: immersion heater)
5. Use F3 and F4 buttons to adjust the time period of heat pump only operation before the booster heater and the immersion heater (if present) will assist in DHW heating. (15-30 minutes)



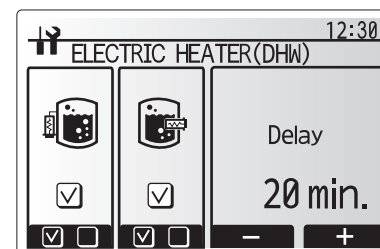
Auxiliary settings menu screen



Economy settings for pump screen



Electric heater (Heating) screen



Electric heater (DHW) screen

4 Cylinder unit

Mixing valve control

1. From the Auxiliary settings menu highlight Mixing valve control.
2. Press CONFIRM.
3. The Mixing valve control screen is displayed.
4. Use F1 and F2 buttons to set Running time between 10 to 240 seconds. The Running time equals to a period from full open of the valve (at a hot water mixing ratio of 100%) to full close (at a cold water mixing ratio of 100%).

Note: Set the Running time according to the specifications of the actuator of each mixing valve.

1. From the Auxiliary settings menu highlight Mixing valve control.
2. Press CONFIRM.
3. The Mixing valve control screen is displayed.
4. Press F3 and F4 buttons to set the interval between 2-zone temperature controls of the mixing valve between 1 to 30 minutes.

Note: It is recommended to set the interval to 2 minutes that is a default value. With the interval set longer, it could take longer to warm up a room.

Flow sensor

1. From the Auxiliary settings menu highlight Flow sensor.
 2. Press CONFIRM.
 3. Press F3 or F4 buttons to select a refrigerant address of which you wish to configure or check the settings, and press CONFIRM. *1
 4. The Flow sensor screen is displayed.
 5. Use F1 and F2 buttons to set the minimum flow rate of flow sensor between 0 to maximum L/min.
 6. Use F3 and F4 buttons to set the maximum flow rate of flow sensor between minimum to 100L/min.
- *1 For multiple outdoor units control system only.

Note: Do not change the setting since it is set according to the specification of Flow sensor attached to the cylinder unit.

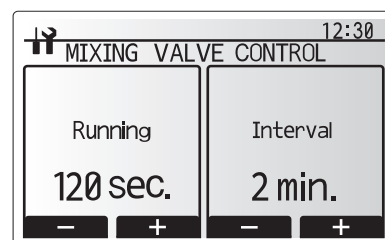
<Heat source setting>

The default heat source setting is heat pump and all electric heaters present in the system to be operational. This is referred to as Standard operation on the menu.

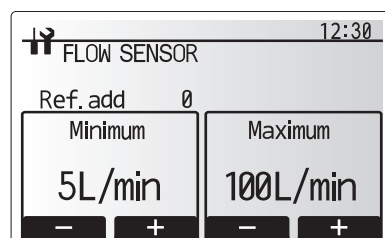
<Pump speed>

1. From the Service menu highlight Pump speed.
2. Press CONFIRM.
3. Press F3 and F4 buttons to select a refrigerant address of which you wish to configure or check the settings, and press CONFIRM. *1
4. The Pump speed screen is displayed.
5. Use F1 and F2 buttons to set the pump speed (1 to 5) of DHW operation.
6. Use F3 and F4 buttons to set the pump speed (1 to 5) of space heating(cooling) operation.

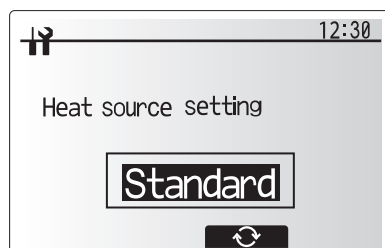
*1 For multiple outdoor units control system only.



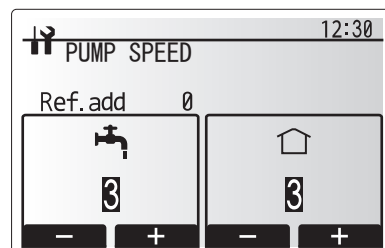
Mixing valve control setting screen



Flow sensor setting screen



Heat source setting screen



Pump speed setting screen

4 Cylinder unit

<Operation settings>

Heating operation

This function allows operational setting of flow temperature range from the Ecodan and also the time interval at which the FTC collects and processes data for the auto adaptation mode.

Menu subtitle	Function	Range	Unit	Default	
Flow temp. range	Minimum temp.	To minimize the loss by frequent ON and OFF in mild outdoor ambient temperature seasons.	20 to 45	°C	30
	Maximum temp.	To set max. possible flow temperature according to the type of heat emitters.	35 to 60	°C	50
Room temp. control	Mode	Setting for Room temp. control At Fast mode, target outlet water temperature is set higher than the one set at normal mode. This reduces the time to reach the target room temperature when the room temperature is relatively low.*	Normal/ Fast	—	Normal
	Interval	Selectable according to the heat emitter type and the materials of floor (i.e. radiators, floor heating-thick, -thin concrete, wood, etc.)	10 to 60	min	10
Heat pump thermo diff.adjust	ON/OFF	To minimize the loss by frequent ON and OFF in mild outdoor ambient temperature seasons.	ON/OFF	—	ON
	Lower limit	Prohibits heat pump operation until the flow temperature drops below the target flow temperature plus lower limit value.	-9 to -1	°C	-5
	Upper limit	Allows heat pump operation until the flow temperature rises above the target flow temperature plus upper limit value.	+3 to +5	°C	+5

< Heating operation (Room temp. control) >

Notes:

1. The minimum flow temperature that prohibits heat pump operation is 20°C.
2. The maximum flow temperature that allows heat pump operation equals to the maximum temperature set in the Flow temp. range menu.

* Fast mode is not efficient and will increase running cost compared to normal mode.

Freeze stat function

Menu subtitle	Function/ Description
Freeze stat function *1	An operational function to prevent the water circuit from freezing when outdoor ambient temperature drops.
Flow t.	The target outlet water temperature at water circuit when operating in Freeze stat function. *2
Outdoor ambient temp.	Minimum outdoor ambient temperature which freeze stat function will begin to operate, (3-20°C) or choose**. If asterisk (**) is chosen freeze stat function is deactivated. (i.e. primary water freeze risk)"

*1. When the system is turned off, freeze stat function is not enabled.

*2. Flow t. is fixed to 20°C and unchangeable.

Simultaneous Operation

For periods of very low outdoor ambient temperature this mode can be used. Simultaneous operation allows both DHW and space heating to run together by using the heat pump and/or booster heater to provide space heating whilst only the immersion heater provides heating for DHW. This operation is only available if BOTH a DHW tank AND immersion heater are present on the system.

- Range of outdoor ambient temperature at which simultaneous operation starts is -30 to 10°C (default -15°C).
- System shall automatically return to routine operation. This will happen when the outdoor ambient temperature rises above the selected temperature for this specific mode of operation.

Cold weather function

For extremely low outdoor ambient temperature conditions when the heat pump's capacity is restricted, the heating or DHW is provided only by the electric booster heater (and immersion if present). This function is intended for use during extreme cold periods only. Extensive use of direct electrical heaters ONLY will result in higher power consumption and may reduce working life of heaters and related parts.

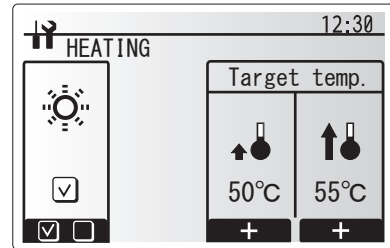
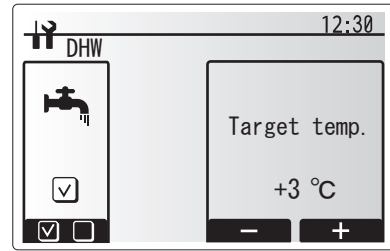
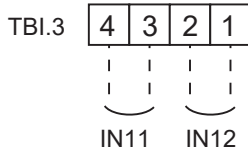
- Range of outdoor ambient temperature at which cold weather function starts is -30 to -10°C (default -15°C).
- System shall automatically return to routine operation. This will happen when the outdoor ambient temperature rises above the selected temperature for this specific mode of operation.

4 Cylinder unit

Smart grid ready

In DHW or heating operation, the commands in the table below can be used.

IN11	IN12	Meaning
OFF (open)	OFF (open)	Normal operation
ON (short)	OFF (open)	Switch-on recommendation*1
OFF (open)	ON (short)	Switch-off command
ON (short)	ON (short)	Switch-on command*2



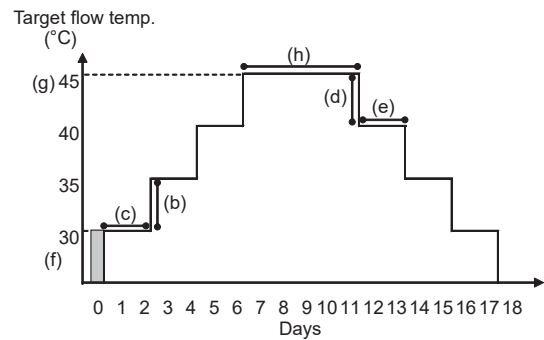
Floor dry up function

The Floor dry up function automatically changes the target hot water temperature in stages to gradually dry concrete when this particular type of underfloor heating system is installed.

Upon completion of the operation the system stops all the operations except the Freeze stat. operation.

For Floor dry up function, the target flow temp. of Zone1 is the same as that of Zone2.

- This function is not available when a PUAZ-FRP outdoor unit is connected.
- Disconnect wiring to external inputs of room thermostat, demand control, and outdoor thermostat, or the target flow temperature may not be maintained.



Functions	Symbol	Description	Option/Range	Unit	Default
Floor dry up function	a	Set the function to ON and power on the system using the main remote controller, and the dry up heating operation will start.	ON/OFF	—	OFF
Flow temp. (increase)	b	Flow temp. increase step	+1 to +10	°C	+5
	c	Increase interval	1 to 7	day	2
Flow temp. (decrease)	d	Flow temp. decrease step	-1 to -10	°C	-5
	e	Decrease interval	1 to 7	day	2
Target temperature	f	Start & Finish	20 to 60	°C	30
	g	Max. target temp.	20 to 60	°C	45
	h	Max. temp. period	1 to 20	day	5

<Password protection>

Password protection is available to prevent unauthorised access to the service menu by untrained persons.

Resetting the password

If you forget the password you entered, or have to service a unit somebody else installed, you can reset the password to the factory default of 0000.

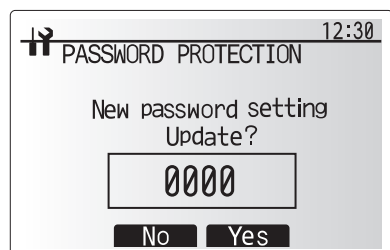
1. From the main settings menu scroll down the functions until Service Menu is highlighted.
2. Press CONFIRM.
3. You will be prompted to enter a password.
4. Hold down buttons F3 and F4 together for 3 seconds
5. You will be asked if you wish to continue and reset the password to default setting.
6. To reset press button F3.
7. The password is now reset to 0000.

<Manual reset>

Should you wish to restore the factory settings at any time you should use the manual reset function. Please note this will reset ALL functions to the factory default settings.



Password input screen



Password verify screen

4 Cylinder unit

Energy monitor

End user can monitor accumulated*1 'Consumed electrical energy' and 'Delivered heat energy' in each operation mode*2 on the main remote controller.

*1 Monthly and Year to date

*2 - DHW operation

- Space heating
- Space cooling

Refer to "4.7.2 Main remote controller" for how to check the energy, and "4.3 DIP switch functions" for the details on DIP-SW setting.

Either one of the following two method is used for monitoring.

Note: Method 1 should be used as a guide. If a certain accuracy is required, method 2 should be used.

1. Calculation internally [method 1]

Electricity consumption is calculated internally based on the energy consumption of outdoor unit, electric heater, water pump(s) and other auxiliaries. (*3)

Delivered heat is calculated internally by multiplying delta T (Flow and Return temp.) and flow rate measured by the factory fitted sensors.

Set the electric heater capacity and water pump(s) input according to indoor unit model and specs of additional pump(s) supplied locally. (Refer to the menu tree in "4.7.2 Main remote controller")

	Booster heater1	Booster heater2	Immersion heater *1	Pump1 *2
Default	2 kW	4 kW	0 kW	*** (factory fitted pump)
EHST17D-VM2D	2 kW	0 kW	0 kW	***
EHST17D-YM9D	3 kW	6 kW	0 kW	***
ERST17D-VM2D	2 kW	0 kW	0 kW	***
ERST17D-VM2BD	2 kW	0 kW	0 kW	***
ERST17D-VM6D	2 kW	4 kW	0 kW	***
ERST17D-VM6BD	2 kW	4 kW	0 kW	***
ERST17D-YM9BD	3 kW	6 kW	0 kW	***
EHST20D-MED	0 kW	0 kW	0 kW	***
EHST20D-VM2D	2 kW	0 kW	0 kW	***
EHST20D-VM6D	2 kW	4 kW	0 kW	***
EHST20D-YM9D	3 kW	6 kW	0 kW	***
EHST20D-YM9ED	3 kW	6 kW	0 kW	***
EHST20D-TM9D	3 kW	6 kW	0 kW	***
ERST20D-VM2D	2 kW	0 kW	0 kW	***
ERST20D-VM6D	2 kW	4 kW	0 kW	***
ERST20D-YM9D	3 kW	6 kW	0 kW	***
EHST30D-MED	0 kW	0 kW	0 kW	***
EHST30D-VM6ED	2 kW	4 kW	0 kW	***
EHST30D-YM9ED	3 kW	6 kW	0 kW	***
EHST30D-TM9ED	3 kW	6 kW	0 kW	***
ERST30D-VM2ED	2 kW	0 kW	0 kW	***
ERST30D-VM6ED	2 kW	4 kW	0 kW	***
ERST30D-YM9ED	3 kW	6 kW	0 kW	***
EHST20C-MED	0 kW	0 kW	0 kW	***
EHST20C-VM2D	2 kW	0 kW	0 kW	***
EHST20C-VM6D	2 kW	4 kW	0 kW	***
EHST20C-YM9D	3 kW	6 kW	0 kW	***
EHST20C-YM9ED	3 kW	6 kW	0 kW	***
EHST20C-TM9D	3 kW	6 kW	0 kW	***

<Table 4.7.1>

*1 Change setting to 3kW when connecting optional immersion heater "PAC-IH03V2-E".

*2 "****" displayed in the energy monitor setting mode means the factory fitted pump is connected as Pump 1 so that the input is automatically calculated.

*3 When the cylinder unit is connected with a PUAZ-FRP or PUMY models, electricity consumption is not calculated internally. To display the electricity consumption, conduct the 2nd method.

When additional pumps supplied locally are connected as Pump2/3, change setting according to specs of the pumps.

When anti-freeze solution (propylene glycol) is used for primary water circuit, set the delivered energy adjustment if necessary.

For further detail of above, refer to "5.7 Main remote controller".

2. Actual measurement by external meter [method 2] (locally supplied)

FTC has external input terminals for 2 'Electric energy meters' and a 'Heat meter'.

If two 'Electric energy meters' are connected, the 2 recorded values will be combined at the FTC and shown on the main remote controller.

(e.g. Meter 1 for H/P power line, Meter 2 for heater power line)

Refer to the [Signal inputs] section in "4.4.2 Connecting inputs/outputs" for more information on connectable electric energy meter and heat meter.

	Booster heater1	Booster heater2	Immersion heater *1	Pump1 *2
ERST20C-VM2D	2 kW	0 kW	0 kW	***
ERST20C-VM6D	2 kW	4 kW	0 kW	***
ERST20C-YM9D	3 kW	6 kW	0 kW	***
EHST30C-MED	0 kW	0 kW	0 kW	***
EHST30C-VM6ED	2 kW	4 kW	0 kW	***
EHST30C-YM9ED	3 kW	6 kW	0 kW	***
EHST30C-TM9ED	3 kW	6 kW	0 kW	***
ERST30C-VM2ED	2 kW	0 kW	0 kW	***
ERST30C-VM6ED	2 kW	4 kW	0 kW	***
ERST30C-YM9ED	3 kW	6 kW	0 kW	***
EHPT17X-VM2D	2 kW	0 kW	0 kW	***
EHPT17X-VM6D	2 kW	4 kW	0 kW	***
EHPT17X-YM9D	3 kW	6 kW	0 kW	***
ERPT17X-VM2D	2 kW	0 kW	0 kW	***
EHPT20X-MED	0 kW	0 kW	0 kW	***
EHPT20X-VM6D	2 kW	4 kW	0 kW	***
EHPT20X-YM9D	3 kW	6 kW	0 kW	***
EHPT20X-YM9ED	3 kW	6 kW	0 kW	***
EHPT20X-TM9D	3 kW	6 kW	0 kW	***
EHPT20X-MHEDW	0 kW	0 kW	3 kW	***
ERPT20X-MD	0 kW	0 kW	0 kW	***
ERPT20X-VM2D	2 kW	0 kW	0 kW	***
ERPT20X-VM6D	2 kW	4 kW	0 kW	***
EHPT30X-MED	0 kW	0 kW	0 kW	***
EHPT30X-YM9ED	3 kW	6 kW	0 kW	***
ERPT30X-VM2ED	2 kW	0 kW	0 kW	***
ERPT30X-VM6ED	2 kW	4 kW	0 kW	***

<Table 4.7.2>

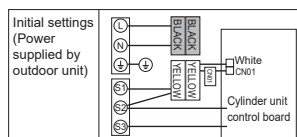
4 Cylinder unit

4.8. Service and Maintenance

The cylinder unit must be serviced **once a year** by a qualified individual. Servicing and maintenance of the outdoor unit should only be done by a Mitsubishi Electric trained technician with relevant qualifications and experience. Any electrical work should be done by a trades person with the appropriate electrical qualifications. Any maintenance or 'DIY' fixes done by a non-accredited person could invalidate the Warranty and/or result in damage to the cylinder unit and injury to the person.

Basic Troubleshooting

No.	Fault symptom	Possible cause	Explanation - Solution
1	Main remote controller display is blank.	<ol style="list-style-type: none"> There is no power supply to main remote controller. Power is supplied to main remote controller, however, the display on the main remote controller does not appear. 	<ol style="list-style-type: none"> Check LED2 on FTC. (See "4.2 Wiring diagrams".) <ol style="list-style-type: none"> When LED2 is lit. Check for damage or contact failure of the main remote controller wiring. When LED2 is blinking. Refer to No. 5 below. When LED2 is not lit. Refer to No. 4 below. Check the following: <ul style="list-style-type: none"> Disconnection between the main remote controller cable and the FTC control board Failure of the main remote controller if "Please Wait" is not displayed. Refer to No. 2 below if "Please Wait" is displayed.
2	"Please Wait" remains displayed on the main remote controller.	<ol style="list-style-type: none"> "Please Wait" is displayed for up to 6 minutes. Communication failure between the main remote controller and FTC Communication failure between FTC and outdoor unit 	<ol style="list-style-type: none"> Normal operation Main remote controller start up checks/procedure. <ol style="list-style-type: none"> If "0%" or "50–99%" is displayed below "Please Wait" there is a communication error between the main remote controller and the FTC control board. <ul style="list-style-type: none"> Check wiring connections on the main remote controller. Replace the main remote controller or the FTC control board. If "1–49%" is displayed there is a communication error between the outdoor unit's and FTC's control boards. <ul style="list-style-type: none"> Check the wiring connections on the outdoor unit control board and the FTC control board. (Ensure S1 and S2 are not cross-wired and S3 is securely wired with no damage. (See "4.4 Field wiring".)) Replace the outdoor unit's and/or the FTC's control boards.
3	The main screen appears with a press of the "ON" button, but disappears in a second.	The main remote controller operations do not work for a while after the settings are changed in the service menu. This is because the system takes time to apply the changes.	<p>Normal operation</p> <p>The indoor unit is applying updated settings made in the service menu. Normal operation will start shortly.</p>
4	LED2 on FTC is off. (See "4.2 Wiring diagrams".)	<p>When LED1 on FTC is also off. (See "4.2 Wiring diagrams".) <FTC powered via outdoor unit.></p> <ol style="list-style-type: none"> The outdoor unit is not supplied at the rated voltage. Defective outdoor controller circuit board FTC is not supplied with 220 to 240 V AC. FTC failure Faulty connector wiring 	<ol style="list-style-type: none"> Check the voltage across the terminals L and N or L3 and N on the outdoor power board. (See "4.4 Field wiring".) <ul style="list-style-type: none"> When the voltage is not 220 to 240 V AC, check wiring of the outdoor unit and of the breaker. When the voltage is at 220 to 240 V AC, go to "2." below. Check the voltage across the outdoor unit terminals S1 and S2. (See "4.4 Field wiring".) <ul style="list-style-type: none"> When the voltage is not 220 to 240 V AC, check the fuse on the outdoor control board and check for faulty wiring. When the voltage is 220 to 240 V AC, go to "3." below. Check the voltage across the indoor unit terminals S1 and S2. (See "4.4 Field wiring".) <ul style="list-style-type: none"> When the voltage is not 220 to 240 V AC, check FTC-outdoor unit wiring for faults. When the voltage is 220 to 240 V AC, go to "4." below. Check the FTC control board. <ul style="list-style-type: none"> Check the fuse on FTC control board. Check for faulty wiring. If no problem found with the wiring, the FTC control board is faulty. Check the connector wiring. <ul style="list-style-type: none"> When the connectors are wired incorrectly, re-wire the connectors referring to below. (See "4.4 Field wiring".)



4 Cylinder unit

No.	Fault symptom	Possible cause	Explanation - Solution
4	LED2 on FTC is off. (See "4.2 Wiring diagrams".)	<FTC powered on independent source> 1. FTC is not supplied with 220 to 240 V AC. 2. There are problems in the method of connecting the connectors. 3. FTC failure	<ol style="list-style-type: none"> Check the voltage across the L and N terminals on the indoor power supply terminal block. (See "4.4 Field wiring".) <ul style="list-style-type: none"> When the voltage is not 220 to 240 V AC, check for faulty wiring to power supply. When the voltage is 220 to 240 V AC, go to 2. below. Check for faulty wiring between the connectors. <ul style="list-style-type: none"> When the connectors are wired incorrectly re-wire them correctly referring to below. (See "4.4 Field wiring" and a wiring diagram on the control and electrical box cover.) <ul style="list-style-type: none"> If no problem found with the wiring, go to 3. below.
		When LED1 on FTC is lit. Incorrect setting of refrigerant address for outdoor unit (None of the refrigerant address is set to "0".)	<ol style="list-style-type: none"> Check the FTC control board. <ul style="list-style-type: none"> Check the fuse on FTC control board. Check for faulty wiring. If no problem found with the wiring, the FTC control board is faulty.
		Recheck the refrigerant address setting on the outdoor unit. Set the refrigerant address to "0". (Set refrigerant address using SW1(3-6) on outdoor controller circuit board.)	
5	LED2 on FTC is blinking. (See "4.2 Wiring diagrams".)	When LED1 is also blinking on FTC . Faulty wiring between FTC and outdoor unit	Check for faulty wiring between FTC and outdoor unit.
		When LED1 on FTC is lit. 1. Faulty wiring in main remote controller Multiple indoor units have been wired to a single outdoor unit. 2. Short-circuited wiring in main remote controller 3. Main remote controller failure	<ol style="list-style-type: none"> Check for faulty wiring in main remote controller. The number of indoor units that can be wired to a single outdoor unit is one. Additional indoor units must be wired individually to a single outdoor unit. Remove main remote controller wires and check LED2 on FTC. (See "4.2 Wiring diagrams".) <ul style="list-style-type: none"> If LED2 is blinking check for short circuits in the main remote controller wiring. If LED2 is lit, wire the main remote controller again and: <ul style="list-style-type: none"> if LED2 is blinking, the main remote controller is faulty; if LED2 is lit, faulty wiring of the main remote controller has been corrected.
6	LED4 on FTC is off. (See "4.2 Wiring diagrams".)	1. SD memory card is NOT inserted into the memory card slot with correct orientation. 2. Not an SD standards compliant memory card.	<ol style="list-style-type: none"> Correctly insert SD memory card in place until a click is heard. Use an SD standards compliant memory card. (Refer to installation manual, "4.4.5 Using SD memory card".)
	LED4 on FTC is blinking. (See "4.2 Wiring diagrams".)	1. Full of data. 2. Write-protected. 3. NOT formatted. 4. Formatted in NTFS file system.	<ol style="list-style-type: none"> Move or delete data, or replace SD memory card with a new one. Release the write-protect switch. Refer to installation manual, "4.4.5 Using SD memory card". FTC is Not compatible with NTFS file system. Use an SD memory card formatted in FAT file system.
7	No water at hot tap.	1. Cold main off 2. Strainer (local supply) blocked.	<ol style="list-style-type: none"> Check and open stop cock. Isolate water supply and clean strainer.
8	Cold water at tap.	<ol style="list-style-type: none"> Hot water run out. Prohibit, schedule timer or holiday mode selected or demand control input (IN4) or smart grid ready (switch-off command). Heat pump not working. Booster heater cut-out tripped. The earth leakage circuit breaker for booster heater breaker (ECB1) tripped. The booster heater thermal cut-out has tripped and cannot be reset using the manual reset button. Immersion heater cut-out tripped. Immersion heater breaker (ECB2) tripped. 3-way valve fault 	<ol style="list-style-type: none"> Ensure DHW mode is operating and wait for DHW tank to re-heat. Check settings and change as appropriate. Check heat pump – consult outdoor unit service manual. Check booster heater thermostat and press reset button if safe. Reset button is located on the side of booster heater, covered with white rubber cap. See "4.5.1 Component parts" to find out its position. Check the cause and reset if safe. Check resistance across the thermal cut-out, if open then the connection is broken and the booster heater will have to be replaced. Contact your Mitsubishi Electric dealer. Check immersion heater thermostat and press reset button, located on immersion heater boss, if safe. If the heater has been operated with no water inside it may have failed, so please replace it with a new one. Check the cause and reset if safe. Check plumbing/wiring to 3-way valve. <ol style="list-style-type: none"> Manually override 3-way valve using the main remote controller. (Refer to <Manual operation> in "4.7 System setup") If the valve does not still function, go to (ii) below. Replace 3-way valve coil. If the valve does not still function, go to (iii) below. Replace 3-way valve. (Refer to Service manual.)

4 Cylinder unit

No.	Fault symptom	Possible cause	Explanation - Solution
9	Water heating takes longer.	<ol style="list-style-type: none"> Heat pump not working. Booster heater cut-out tripped. Booster heater breaker (ECB1) tripped. The booster heater thermal cut-out has tripped and cannot be reset using the manual reset button. Immersion heater cut-out has been triggered. Immersion heater breaker (ECB2) tripped. Flow rate of the sanitary circuit may be reduced. 	<ol style="list-style-type: none"> Check heat pump – consult outdoor unit service manual. Check booster heater thermostat and press reset button if safe. Reset button is located on the side of booster heater, covered with white rubber cap. See "4.5.1 Component parts" to find out its position. Check the cause and reset if safe. Check resistance across the thermal cut-out, if open then connection is broken and the booster heater will have to be replaced. Contact your Mitsubishi Electric dealer. Check immersion heater thermostat and press reset button located on immersion heater boss, if safe. If the heater kept running with no water inside, this may have resulted in failure, so replace it with a new one. Check the cause and reset if safe. Check the following items <ul style="list-style-type: none"> • Check for trapped air in water pump (sanitary circuit). • Check if the speed of water pump (sanitary circuit) is set to 2. • Check water pump (sanitary circuit) for malfunction. (Refer to Service manual.) • Replace plate heat exchanger (water - water) or scale trap, if there are a blockage which blocks the sanitary circuit.
10	Temperature of DHW tank water dropped.	<p>When DHW operation is not running, the DHW tank emits heat and the water temperature decreases to a certain level. If water in the DHW tank is reheated frequently because of a significant drop in water temperature, check for the following.</p> <ol style="list-style-type: none"> Water leakage in the pipes that connect to the DHW tank Insulation material coming loose or off. 3-way valve failure Water pump (sanitary circuit) speed setting failure 	<ol style="list-style-type: none"> Take the following measures. <ul style="list-style-type: none"> • Retighten the nuts holding the pipes onto the DHW tank. • Replace seal materials. • Replace the pipes. Fix insulation. Check plumbing/wiring to 3-way valve. <ol style="list-style-type: none"> Manually override 3-way valve using the main remote controller. (Refer to <Manual operation> in "4.7 System setup".) If the valve does not still function, go to (ii) below. Replace 3-way valve motor. If the valve does not still function, go to (iii) below. Replace 3-way valve. (Refer to Service manual.) Water pump (sanitary circuit) MUST be set to speed 2. When it set to speed 1, hot water would be mixed with cold water due to circulation.
11	Hot or warm water from cold tap.	Heat of hot water pipe is transferred to cold water pipe.	Insulate/re-route pipework.
12	Water leakage	<ol style="list-style-type: none"> Poorly sealed connections of water circuit components Water circuit components reaching the end of life 	<ol style="list-style-type: none"> Tighten connections as required. Refer to PARTS CATALOG for expected part lifetimes and replace them as necessary.
13	Heating system does not reach the set temperature.	<ol style="list-style-type: none"> Prohibit, schedule timer or holiday mode selected or demand control input (IN4) or smart grid ready (switch-off command). Check settings and change as appropriate. The temperature sensor is located in a room that has a different temperature relative to that of the rest of the house. Heat pump not working. Booster heater cut-out tripped. Booster heater breaker (ECB1) tripped. The booster heater thermal cut-out tripped and cannot be reset using the manual reset button. Incorrectly sized heat emitter 3-way valve failure Battery problem (wireless control only) If a mixing tank is installed, the flow rate between the mixing tank and the cylinder unit is less than that between the mixing tank and the local system. Malfunction of pump or mixing valve Valves on heating system are closed. 	<ol style="list-style-type: none"> Check settings and change as appropriate. Check the battery power and replace if flat. Relocate the temperature sensor to a more suitable room. Check heat pump – consult outdoor unit service manual. Check booster heater thermostat and press reset button if safe. Reset button is located on the side of booster heater, covered with white rubber cap. (See "4.5.1 Component parts" for position.) Check the cause of the trip and reset if safe. Check resistance across the thermal cut-out, if open then the connection is broken and the booster heater will have to be replaced. Contact your Mitsubishi Electric dealer. Check the heat emitter surface area is adequate. Increase size if necessary. Check plumbing/wiring to 3-way valve. <ol style="list-style-type: none"> Manually override 3-way valve using the main remote controller. (Refer to <Manual operation> in "4.7 System setup".) If the 3-way valve does not function, go to (ii) below. Replace 3-way valve motor. If the 3-way valve coil is replaced but the 3-way valve does not function go to (iii) below. Replace 3-way valve. (Refer to Service manual.) Check the battery power and replace if flat. Increase the flow rate between the mixing tank and the cylinder unit decrease that between the mixing tank and the local system. Contact installer. Open the valves.

4 Cylinder unit

No.	Fault symptom	Possible cause	Explanation - Solution
14	Heating system does not reach the set lower temperature.	Heating system operates depending on the heating load to prevent low-load heating system from the frequent switching (ON/OFF) of the compressor.	Normal operation, no action necessary.
15	In 2-zone temperature control, only Zone2 does not reach the set temperature.	<ol style="list-style-type: none"> When Zone1 and Zone2 are both in heating mode, the hot water temperature in Zone2 does not exceed that in Zone1. Faulty wiring of motorized mixing valve Faulty installation of motorized mixing valve Incorrect setting of Running time Motorized mixing valve failure 	<ol style="list-style-type: none"> Normal action no action necessary. Refer to installation manual, "4.4.3 Wiring for 2-zone temperature control". Check for correct installation. (Refer to the manual included with each motorized mixing valve.) Check for correct setting of Running time. Inspect the mixing valve. (Refer to the manual included with each motorized mixing valve.)
16	When a PUHZ-FRP outdoor unit is connected, DHW or Heating operation cannot run.	The outdoor unit is set to have operation of the indoor unit of air conditioner take precedence over that of the cylinder unit, and in the main remote controller settings "Electric heater (Heating)" or "Electric heater (DHW)" is turned off.	Turn ON Electric heater (Heating) or Electric heater (DHW) using the main remote controller.
17	When a PUHZ-FRP outdoor unit is connected and is in heat recovery operation, the set temperature is not reached.	When the outdoor unit is set to have cooling operation of the indoor unit of air conditioner take precedence over that of the cylinder unit, the outdoor unit controls the frequency of the compressor according to the load of air conditioner. The DHW and heating run according to that frequency.	Normal operation no action necessary. If Air-to-Water system is given priority in operation, comp Hz can be regulated depending on the load of DHW or Heating. For more details, refer to the PUHZ-FRP installation manual.
18	After DHW operation room temperature rises slightly.	At the end of the DHW mode operation the 3-way valve diverts hot water away from the DHW circuit into space heating circuit. This is done to prevent the cylinder unit components from overheating. The amount of hot water directed into the space heating circuit varies according to the type of the system and of the pipe run between the plate heat exchanger and the cylinder unit.	Normal operation no action necessary.
19	The room temperature rises during DHW operation.	3-way valve failure	<p>Check the 3-way valve.</p> <p>(i) Manually override 3-way valve using the main remote controller. (Refer to <Manual operation> in "4.7 System setup".) If the 3-way valve does not function, go to (ii) below.</p> <p>(ii) Replace 3-way valve coil. If the 3-way valve coil is replaced but the 3-way valve does not function go to (iii) below.</p> <p>(iii) Replace 3-way valve. (Refer to Service manual.)</p>
20	Water discharges from pressure relief valve. (Primary circuit)	<ol style="list-style-type: none"> If continual – pressure relief valve could bite foreign objects and the valve seat may be damaged. If intermittent – expansion vessel charge may have reduced/bladder perished. 	<ol style="list-style-type: none"> Turn the handle on the pressure relief valve several turns. If leakage persists, replace the pressure relief valve with a new one. Check pressure in expansion vessel. Recharge to 1 bar if necessary. If bladder perished replace expansion vessel with a new one.
21	Water discharges from pressure relief valve. (Sanitary circuit)	<ol style="list-style-type: none"> If continual – field supplied pressure reducing valve not working. If continual – pressure relief valve could bite foreign objects and the valve seat may be damaged. If intermittent – expansion vessel charge may have reduced/bladder perished. DHW tank may have subjected to backflow. 	<ol style="list-style-type: none"> Check function of pressure reducing valve and replace if necessary. Turn the handle on the pressure relief valve several turns. If leakage persists, replace the pressure relief valve with a new one. Check gas-side pressure in expansion vessel. Recharge to correct precharge pressure if necessary. If bladder perished replace expansion vessel with a new one with appropriate pre-charge. Check the pressure in DHW tank. If pressure in DHW tank is similar to that in the incoming mains, cold water supply that merges with incoming mains water supply could flow back to DHW tank. Investigate source of back-feed and rectify error in pipework/fitting configuration. Adjust pressure in cold supply.
22	Water discharges from temperature and pressure relief valve (EHPT20X-MHEDW only) (Sanitary circuit)	<ol style="list-style-type: none"> If continual – field supplied pressure reducing valve not working. If continual – temperature and pressure relief valve could bite foreign objects and the valve seat may be damaged. If intermittent – expansion vessel charge may have reduced/bladder perished. DHW tank may have subjected to backflow. Unit has overheated – thermal controls have failed. 	<ol style="list-style-type: none"> Check function of pressure reducing valve and replace if necessary. Turn the handle on the temperature and pressure relief valve several turns. If leakage persists, replace the temperature and pressure relief valve with a new one. Check gas-side pressure in expansion vessel. Recharge to correct precharge pressure if necessary. If bladder perished replace expansion vessel with a new one with appropriate pre-charge. Check pressure in DHW tank. If pressure in DHW tank is similar to that in the incoming mains, cold water supply that merges with incoming mains water supply could flow back to DHW tank. Investigate source of back-feed and rectify error in pipework/fitting configuration. Adjust pressure in cold supply. Switch off power to the heat pump and immersion heaters. Leave water running. Wait until discharge stops. Isolate water supply and replace if faulty.

4 Cylinder unit

No.	Fault symptom	Possible cause	Explanation - Solution						
23	Water discharges from expansion relief valve - part of Inlet Control Group (EHPT20X-MHEDW only) (sanitary circuit)	<ol style="list-style-type: none"> 1. If continual – field supplied pressure reducing valve not working. 2. If continual – expansion relief valve may be damaged. 3. If intermittent – expansion vessel charge may have reduced/bladder perished. 4. DHW tank may have subjected to backflow. 5. Unit has overheated – thermal controls have failed. 	<ol style="list-style-type: none"> 1. Check function of pressure reducing valve and replace if necessary. 2. Turn the handle on the expansion relief valve to check for foreign objects inside. If the problem is not still solved, replace the expansion relief valve with a new one. 3. Check gas-side pressure in expansion vessel. Recharge to correct precharge pressure if necessary. If bladder perished replace expansion vessel with a new one with appropriate precharge. 4. Check pressure in DHW tank. If pressure in DHW tank is similar to that in the incoming mains, cold water supply that merges with incoming mains water supply could flow back to DHW tank. Investigate source of back-feed and rectify error in pipework/fitting configuration. Adjust pressure in cold supply. 5. Switch off power to the heat pump and immersion heaters. Leave water running. Wait until discharge stops. Isolate water supply and replace if faulty. 						
24	Noisy water circulation pump	Air in water circulation pump	Use manual and automatic air vents to remove air from system. Top up water if necessary to achieve 1 bar on primary circuit.						
25	Noise during hot water draw off typically worse in the morning.	<ol style="list-style-type: none"> 1. Loose airing cupboard pipework 2. Heaters switching on/off 	<ol style="list-style-type: none"> 1. Install extra pipe fastening clips. 2. Normal operation no action necessary. 						
26	Mechanical noise heard coming from the cylinder unit.	<ol style="list-style-type: none"> 1. Heaters switching on/off 2. 3-way valve changing position between DHW and heating mode 	Normal operation no action necessary.						
27	Water circulation pump runs for a short time unexpectedly.	Water circulation pump jam prevention mechanism (routine) to inhibit the build-up of scale	Normal operation no action necessary.						
28	Milky/Cloudy water (Sanitary circuit)	Oxygenated water	Water from any pressurised system will release oxygen bubbles when water is running. The bubbles will settle out.						
29	Heating mode has been on standby for a long time (does not start operation smoothly.)	The time of "Delay" set in "Economy settings for pump" is too short. (Go to "Service menu" → "Auxiliary settings" → "Economy settings for pump").	Increase the time of "Delay" in "Economy settings for pump" .						
30	The cylinder unit that was running in the heating mode before power failure is running in the DHW mode after power recovery.	The cylinder unit is designed to run in an operation mode with a higher priority (i.e. DHW mode in this case) at power recovery.	<ul style="list-style-type: none"> • Normal operation. • After the DHW max. operation time has elapsed or the DHW max. temperature has been reached, the DHW mode switches to the other mode (ex. Heating mode). 						
31	Cooling mode is NOT available.	DIP SW2-4 is OFF.	Turn DIP SW2-4 to ON. (Refer to "4.3 DIP switch functions".)						
32	The cooling system does not cool down to the set temperature.	<ol style="list-style-type: none"> 1. When the water in the circulation circuit is unduly hot, Cooling mode starts with a delay for the protection of the outdoor unit. 2. When the outdoor ambient temperature is lower than the preset temperature that activates the freeze stat function, Cooling mode does not start running. 	<ol style="list-style-type: none"> 1. Normal operation 2. To run Cooling mode overriding the freeze stat function, adjust the preset temperature that activates the freeze stat function. (Refer to <Freeze stat function> in "4.7 System setup".) 						
33	The electric heaters are activated shortly after DHW or LP mode starts running after Cooling mode.	The setting time period of Heat-pump-only operation is short.	Adjust the setting time period of Heat-pump only operation. (Refer to <Electric heater (DHW)> in "4.7 System setup".)						
34	During DHW or LP mode following the cooling mode, error L6 (circulation water freeze protection error) occurs and the system stops all the operations.	The unit runs in Cooling mode when the outdoor ambient temperature is lower than 10°C (outside of the guaranteed operating range). (When defrosting operation is running at such a low outdoor ambient temperature after Cooling mode is switched to DHW or LP mode, the water temperature in the cooling circuit drops too low, which could result in L6 error to stop all the operations.	<p>Do not run Cooling operation when the outdoor ambient temperature is lower than 10°C.</p> <p>To automatically stop or recover only Cooling operation and keep other operations running, the freeze stat function can be used. Set the preset temperature that activates the freeze stat function to adjust the outdoor ambient temperature as follows. (Refer to <Freeze stat function> in "4.7 System setup".)</p> <table border="1"> <thead> <tr> <th>Outdoor ambient temperature</th> <th>Cooling operation</th> </tr> </thead> <tbody> <tr> <td>3°C higher than the preset temperature</td> <td>Stop</td> </tr> <tr> <td>5°C higher than the preset temperature</td> <td>Recover</td> </tr> </tbody> </table>	Outdoor ambient temperature	Cooling operation	3°C higher than the preset temperature	Stop	5°C higher than the preset temperature	Recover
Outdoor ambient temperature	Cooling operation								
3°C higher than the preset temperature	Stop								
5°C higher than the preset temperature	Recover								

4 Cylinder unit

No.	Fault symptom	Possible cause	Explanation - Solution																
35	<p>The energy monitor value seems not correct.</p> <p>Note: There could be some discrepancies between the actual and the calculated values. If you seek for accuracy, please make sure to connect power meter(s) and heat meter to FTC board. Both should be locally supplied.</p>	<p>1. Incorrect setting of the energy monitor</p> <p>2. Non-connectable type of external meter (local supply) is connected.</p> <p>3. External meter (local supply) failure</p> <p>4. FTC board failure</p>	<p>1. Check the setting by following the procedure below. (1) Check if the DIP switch is set as the table below.</p> <table border="1"> <tr> <td colspan="2">Consumed electric energy</td> <td colspan="2">Delivered heat energy</td> </tr> <tr> <td>SW3-4</td> <td>Electric energy meter (Local supply)</td> <td>SW3-8</td> <td>Heat meter (Local supply)</td> </tr> <tr> <td>OFF</td> <td>Without</td> <td>OFF</td> <td>Without</td> </tr> <tr> <td>ON</td> <td>With</td> <td>ON</td> <td>With</td> </tr> </table> <p>(2) In the case external electric energy meter and/or heat meter is not used, check if the setting for electric heater and water pump(s) input is correct by referring to "Energy monitor" in "4.7 System setup".</p> <p>(3) In the case external electric energy meter and/or heat meter is used, check if the unit of output pulse on external meter matches with the one set at the main remote controller by referring to "Energy monitor" in "4.7 System setup".</p> <p>2. Check if the external meter (local supply) is connectable type by referring to "Energy monitor" in "4.7 System setup".</p> <p>3. Check if signal is sent to IN8 to IN10 properly. (Refer to section 4.2 Wiring diagram) Replace the external heat meter if defective.</p> <p>4. Check the FTC control board.</p> <ul style="list-style-type: none"> • Check for faulty wiring. • If no problem found with the wiring, the FTC control board is faulty. Replace the board. 	Consumed electric energy		Delivered heat energy		SW3-4	Electric energy meter (Local supply)	SW3-8	Heat meter (Local supply)	OFF	Without	OFF	Without	ON	With	ON	With
Consumed electric energy		Delivered heat energy																	
SW3-4	Electric energy meter (Local supply)	SW3-8	Heat meter (Local supply)																
OFF	Without	OFF	Without																
ON	With	ON	With																
36	Heat pump is forced to turn ON and OFF.	Smart grid ready input (IN11 and IN12) is used, and switch-on and off commands are input.	Normal operation no action necessary.																

Annual Maintenance

It is essential that the cylinder unit is serviced at least once a year by a qualified individual. Any spare parts required should be purchased from Mitsubishi Electric. NEVER bypass safety devices or operate the unit without them being fully operational.

<Annual maintenance points>

Use the Annual Maintenance Log Book as a guide to carrying out the necessary checks on the cylinder unit and outdoor unit.

4 Cylinder unit

Annual Maintenance

It is essential that the cylinder unit is serviced at least once a year by a qualified individual. Any required parts should be purchased from Mitsubishi Electric. NEVER bypass safety devices or operate the unit without them being fully operational. For more details, refer to service handbook.

Notes

- Within the first couple of months of installation, remove and clean the cylinder unit's strainer plus any additional filter items that are fitted external to the cylinder unit. This is especially important when installing on an old/existing pipe work system.
- The PRV valve and T&P valve (No. 8, 20 and 21 on Figure 4.5.1) should be checked annually by turning the knob manually so that the medium is discharged, thus cleaning the seal seat.

In addition to annual servicing it is necessary to replace or inspect some parts after a certain period of system operation. Please see tables below for detailed instructions. Replacement and inspection of parts should always be done by a competent person with relevant training and qualifications.

Parts which require regular replacement

Parts	Replace every	Possible failures
Pressure relief valve (PRV) Manometer Inlet control group (ICG)* Mud trap	6 years	Water leakage

* OPTIONAL PARTS for UK

Parts which require regular inspection

Parts	Check every	Possible failures
Pressure relief valve (3bar) Temperature and pressure relief valve	1 year (turning the knob manually)	PRV would be fixed and expansion vessel would burst
Immersion heater	2 years	Earth leakage causing circuit breaker to activate (Heater is always OFF)
Water circulation pump (Primary circuit)	20,000 hrs (3 years)	Water circulation pump failure
Magnetic filter	3 years	Flow rate decrease due to clogging
Mud trap	1 year	Flow rate decrease due to clogging

Parts which must NOT be re-used when servicing

- * O-ring
- * Gasket

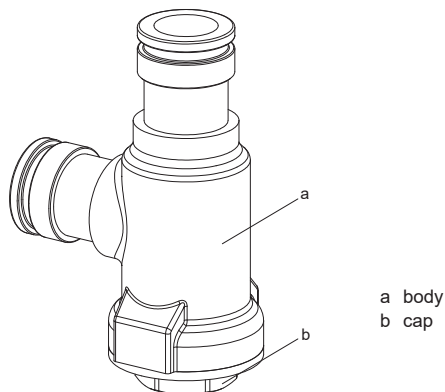
Note:

- Always replace the gasket for pump with a new one at each regular maintenance (every 20,000 hours of use or every 3 years).

<Draining particles from the magnetic filter>

WARNING: DRAINED WATER MAY BE VERY HOT

1. Turn OFF the unit via the user interface.
2. Turn OFF the circuit breaker.
3. Check if body of the magnet filter is still screwed tight (a).
4. Close the isolating valves.
5. Hold the motor of mixing valve and pull hard to remove it from the valve.
6. Put a suitable bottle below the magnetic filter.
7. Open the cap of the filter with 2 spanners (b).
8. Collect the water and particles in the bottle.
9. Wash the inside mesh and magnet and remove particles from them.
10. Put the inside mesh and magnet back into the filter.
11. Screw the cap with 2 spanners.
12. Reattach the motor on the mixing valve.
13. Open the isolating valves.
14. Check the pressure of the water circuit.

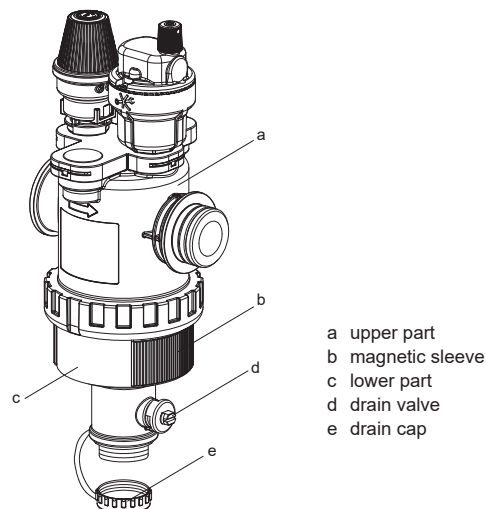


a body
b cap

<Draining dirt from the mud trap>

WARNING: DRAINED WATER MAY BE VERY HOT

1. Turn OFF the unit via the user interface.
2. Turn OFF the circuit breaker.
3. Check if upper and lower parts of the mud trap are still screwed tight (a, c).
4. Take off the magnetic sleeve (b).
5. Unscrew the drain cap (e).
6. Connect a drain hose to the bottom of the mud trap so that the water and dirt can be collected in a suitable bottle.
7. Open the drain valve for a couple of seconds (d).
8. After dirt drained, close the drain valve.
9. Screw the drain cap back on.
10. Reattach the magnetic sleeve.
11. Check the pressure of the water circuit.



a upper part
b magnetic sleeve
c lower part
d drain valve
e drain cap

Notes:

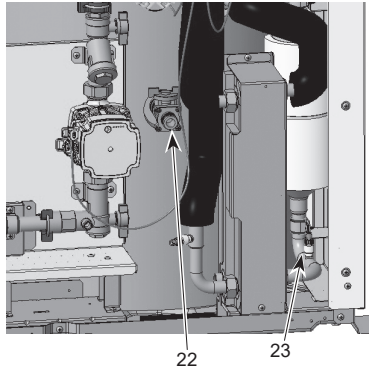
- When checking the mud trap for tightness, hold it firmly, so as NOT to apply stress to the water piping.
- To prevent dirt from remaining in the mud trap, take off the magnetic sleeve.
- Always first unscrew the drain cap, and connect a drain hose to the bottom of the water filter, then open the drain valve.

4 Cylinder unit

<Draining the cylinder unit and its sanitary heating circuit (local)>

WARNING: DRAINED WATER MAY BE VERY HOT

1. Before attempting to drain the cylinder unit isolate from the electrical supply to prevent the immersion and booster heaters burning out.
2. Isolate cold water feed to DHW tank.
3. Open a hot water tap to allow draining without creating a vacuum.
4. Attach a hose to the DHW tank drain cocks (No. 22 and 23 on Figure 4.7.2). The hose should be able to withstand heat as the draining water could be very hot. The hose should drain to a place lower than the DHW tank bottom to encourage siphoning. Begin draining by opening drain cock.
5. When the DHW tank is drained close drain cock and hot tap.
6. For primary circuit, attach hose to water circuit drain cocks (No. 6 on Figure 4.5.1). The hose should be able to withstand heat as the draining water could be very hot. The hose should drain to a place lower than the drain cock to encourage siphoning. Open the pump valves and the strainer valves.
7. Water remains in the strainer still after the cylinder unit was drained. Drain the strainer by removing the strainer cover.



<Figure 4.7.2>

4 Cylinder unit

■ Error Codes

Code	Error	Action
L3	Circulation water temperature overheat protection	Flow rate may be reduced. Check for; <ul style="list-style-type: none"> • Water leakage • Strainer blockage • Water circulation pump function (Error code may display during filling of primary circuit, complete filling and reset error code.)
L4	DHW tank water temperature overheat protection	Check the immersion heater and it's contactor.
L5	Indoor unit temperature thermistor (THW1, THW2, THW5A, THW5B, THW6, THW7, THW8, THW9) failure	Check resistance across the thermistor.
L6	Circulation water freeze protection	See Action for L3.
L8	Heating operation error	Check and re-attach any thermistors that may have become dislodged.
L9	Low primary circuit flow rate detected by flow sensor or flow switch (flow switches 1, 2, 3)	See Action for L3. If the flow sensor or flow switch itself does not work, replace it. Caution: The pump valves may be hot, please take care.
LA	Pressure sensor failure	Check pressure sensor cable for damage or loose connections.
LB	High pressure protection	<ul style="list-style-type: none"> • Flow rate of the heating circuit may be reduced. Check water circuit. • Plate heat exchanger may be clogged. Check the plate heat exchanger. • Outdoor unit failure. Check refrigerant volume, valve, LEV coil and pipe crushing of outdoor unit.
LC	Boiler circulation water temperature overheat protection	Check if the setting temperature of the Boiler for heating exceeds the restriction. (See the manual of the thermistors "PAC-TH012HT-E")
		Flow rate of the heating circuit from the boiler may be reduced. Check for <ul style="list-style-type: none"> • water leakage, • strainer blockage • water circulation pump function.
LD	Boiler temperature thermistor (THWB1) failure	Check resistance across the thermistor.
LE	Boiler operation error	See Action for L8. Check the status of the boiler.
LF	Flow sensor failure	Check flow sensor cable for damage or loose connections.
LH	Boiler circulation water freeze protection	Flow rate of the heating circuit from the boiler may be reduced. Check for <ul style="list-style-type: none"> • water leakage • strainer blockage • water circulation pump function.
LJ	DHW operation error (type of external plate HEX)	<ul style="list-style-type: none"> • Check for disconnection of DHW tank water lower temp. thermistor (THW5B). • Flow rate of the sanitary circuit may be reduced. • Check for water circulation pump function. (primary / sanitary)
LL	Setting errors of DIP switches on FTC control board	For boiler operation, check that DIP SW1-1 is set to ON (With Boiler) and DIP SW2-6 is set to ON (With Mixing Tank). For 2-zone temperature control, check DIP SW2-7 is set to ON (2-zone) and DIP SW2-6 is set to ON (With Mixing Tank).
LP	Out of water flow rate range for outdoor heat pump unit	Check the installation Table 4.6.3. Check remote controller settings (Service menu / heat pump flow rate range) See Action for L3.
P1	Thermistor (Room temp.) (TH1) failure	Check resistance across the thermistor.
P2	Thermistor (Ref. liquid temp.) (TH2) failure	Check resistance across the thermistor.
P6	Anti-freeze protection of plate heat exchanger	See Action for L3. Check for correct amount of refrigerant.
J0	Communication failure between FTC and wireless receiver	Check connection cable for damage or loose connections.
J1 - J8	Communication failure between wireless receiver and wireless remote controller	Check wireless remote controller's battery is not flat. Check the pairing between wireless receiver to wireless remote controller. Test the wireless communication. (See the manual of wireless system)
E0 - E5	Communication failure between main remote controller and FTC	Check connection cable for damage or loose connections.
E6 - EF	Communication failure between FTC and outdoor unit	Check that the outdoor unit has not been turned off. Check connection cable for damage or loose connections. Refer to outdoor unit service manual.
E9	Outdoor unit receives no signal from indoor unit.	Check both units are switched on. Check connection cable for damage or loose connections. Refer to outdoor unit service manual.
EE	Combination error between FTC and outdoor unit	Check combination of FTC and outdoor unit.
U*, F*, PL	Outdoor unit failure	Refer to outdoor unit service manual.
A*	M-NET communication error	Refer to outdoor unit service manual.

Note: To cancel error codes please switch system off (Press button F4(RESET) on main remote controller).

4 Cylinder unit

■ Engineers Forms

Should settings be changed from default, please enter and record new setting in 'Field Setting' column. This will ease resetting in the future should the system use change or the circuit board need to be replaced.

Commissioning/Field settings record sheet

Main remote controller screen		Parameters	Default setting	Field setting	Notes	
Main	Zone1 heating room temp.		10°C to 30°C	20°C		
	Zone2 heating room temp. *1		10°C to 30°C	20°C		
	Zone1 heating flow temp.		20°C to 60°C	45°C		
	Zone2 heating flow temp. *2		20°C to 60°C	35°C		
	Zone1 cooling flow temp. *3		5°C to 25°C	15°C		
	Zone2 cooling flow temp. *3		5°C to 25°C	20°C		
	Zone1 heating compensation curve		-9°C to +9°C	0°C		
	Zone2 heating compensation curve *2		-9°C to +9°C	0°C		
	Holiday mode		Active/Non active/Set time	—		
	Forced DHW operation		On/Off	—		
Option	DHW		On/Off/Timer	On		
	Heating/Cooling *3		On/Off/Timer	On		
Energy monitor		Consumed electrical energy/Delivered energy	—			
Setting	DHW	Operation mode	Normal/Eco *4	Normal		
		DHW max. temp.	40°C to 60°C *5	50°C		
DHW temp. drop		5°C to 30°C	10°C			
DHW max. operation time		30 to 120 min	60 min			
DHW mode restriction		30 to 120 min	30 min			
DHW recharge		Large/Standard	Standard			
Legionella prevention		Active	Yes/No	Yes		
Hot water temp.		60°C to 70°C *5	65°C			
Frequency		1 to 30 days	15 days			
Start time		00.00 to 23.00	03.00			
Max. operation time		1 to 5 hours	3 hours			
Duration of maximum temp.		1 to 120 min	30 min			
Heating/Cooling *3		Zone1 operation mode	Heating room temp./ Heating flow temp./ Heating compensation curve/ Cooling flow temp.	Room temp.		
		Zone2 operation mode *2	Heating room temp./ Heating flow temp./ Heating compensation curve/ Cooling flow temp.	Compensation curve		
Compensation curve	Hi flow temp. set point	Zone1 outdoor ambient temp.	-30°C to +33°C *6	-15°C		
		Zone1 flow temp.	20°C to 60°C	50°C		
		Zone2 outdoor ambient temp. *2	-30°C to +33°C *6	-15°C		
		Zone2 flow temp. *2	20°C to 60°C	40°C		
	Lo flow temp. set point	Zone1 outdoor ambient temp.	-28°C to +35°C *7	35°C		
		Zone1 flow temp.	20°C to 60°C	25°C		
		Zone2 outdoor ambient temp. *2	-28°C to +35°C *7	35°C		
		Zone2 flow temp. *2	20°C - 60°C	25°C		
	Adjust	Zone1 outdoor ambient temp.	-29°C to +34°C *8	—		
		Zone1 flow temp.	20°C to 60°C	—		
		Zone2 outdoor ambient temp. *2	-29°C to +34°C *8	—		
		Zone2 flow temp. *2	20°C to 60°C	—		
Holiday	DHW		Active/Non active	Non active		
	Heating/Cooling *3		Active/Non active	Active		
	Zone1 heating room temp.		10°C to 30°C	15°C		
	Zone2 heating room temp. *1		10°C to 30°C	15°C		
	Zone1 heating flow temp.		20°C to 60°C	35°C		
	Zone2 heating flow temp. *2		20°C to 60°C	25°C		
	Zone1 cooling flow temp. *3		5°C to 25°C	25°C		
	Zone2 cooling flow temp. *3		5°C to 25°C	25°C		
Initial settings	Language		EN/FR/DE/SV/ES/IT/DA/NL/FI/NO/PT/BG/PL/CZ/RU/TR/SL	EN		
	°C/°F		°C/°F	°C		
	Summer time		On/Off	Off		
	Temp. display		Room/DHW tank/Room&DHW tank /Off	Off		
	Time display		hh:mm/hh:mm AM/AM hh:mm	hh:mm		
	Room sensor settings for Zone1		TH1/Main RC/Room RC1 to 8/"Time/Zone"	TH1		
	Room sensor settings for Zone2 *2		TH1/Main RC/Room RC1 to 8/"Time/Zone"	TH1		
Service menu	Room RC zone select *2		Zone1/Zone2	Zone1		
	Thermistor adjustment	THW1	-10°C to +10°C	0°C		
		THW2	-10°C to +10°C	0°C		
		THW5A	-10°C to +10°C	0°C		
		THW5B	-10°C to +10°C	0°C		
		THW6	-10°C to +10°C	0°C		
		THW7	-10°C to +10°C	0°C		
		THW8	-10°C to +10°C	0°C		
		THW9	-10°C to +10°C	0°C		
		THW10	-10°C to +10°C	0°C		
		THWB1	-10°C to +10°C	0°C		
	Auxiliary settings	Economy settings for pump.		On/Off *9	On	
		Delay (3 to 60 min)			10 min	
		Electric heater (Heating)	Space heating: On (used)/Off (not used)		On	
			Electric heater delay timer (5 to 180 min)			30 min
		Electric heater (DHW)	Booster heater DHW: On (used)/Off (not used)		On	
			Immersion heater DHW: On (used)/Off (not used)		On	
		Electric heater delay timer (15 to 30 min)			15 min	
		Mixing valve control		Running (10 to 240 sec)	120 sec	
		Interval (1 to 30 min)			2 min	
Flow sensor *10		Minimum (0 to 100L/min)			5 L/min	
	Maximum (0 to 100L/min)			100 L/min		
Analog output	Interval (1 to 30 min)			5 min		
	Priority (Normal/High)			Normal		

4 Cylinder unit

■ Engineers Forms

Commissioning/Field settings record sheet (continued from the previous page)

Main remote controller screen				Parameters	Default setting	Field setting	Notes	
Setting	Service menu	Pump speed	DHW	Pump speed (1 to 5)	5			
			Heating/Cooling	Pump speed (1 to 5)	5			
		Heat source setting		Standard/Heater/Boiler/Hybrid *11	Standard			
		Heat pump setting	Heat pump flow rate range	Minimum(0 to 100L/min)	5 L/min			
				Maximum(0 to 100L/min)	100 L/min			
			Quiet mode	Day (Mon to Sun)	—			
				Time	0:00 - 23:45			
		Operation settings	Heating operation	Flow temp.range *13	Minimum.temp.(20 to 45°C)	30°C		
					Maximum.temp.(35 to 60°C)	50°C		
				Room temp.control *14	Mode (Normal/Fast)	Normal		
					Interval (10 to 60min)	10min		
				Heat pump thermo diff.adjust	On/Off *9	On		
					Lower limit (-9 to -1°C)	-5°C		
			Upper limit (+3 to +5°C)		5°C			
			Freeze stat function *15	Outdoor ambient temp. (3 to 20°C) / **	5°C			
			Simultaneous operation (DHW/Heating)	On/Off *9	Off			
				Outdoor ambient temp. (-30 to +10°C) *6	-15°C			
			Cold weather function	On/Off *9	Off			
				Outdoor ambient temp. (-30 to -10°C) *6	-15°C			
			Boiler operation	Hybrid settings	Outdoor ambient temp. (-30 to +10°C) *6	-15°C		
					Priority mode (Ambient/Cost/CO ₂) *16	Ambient		
					Outdoor ambient temp. rise (+1 to +5 °C)	+3 °C		
				Intelligent settings	Energy price *17	Electricity (0.001 to 999 */kWh)	0.5 */kWh	
						Boiler (0.001 to 999 */kWh)	0.5 */kWh	
		CO ₂ emission			Electricity (0.001 to 999 kg -CO ₂ /kWh)	0.5 kg -CO ₂ /kWh		
					Boiler (0.001 to 999 kg -CO ₂ /kWh)	0.5 kg -CO ₂ /kWh		
		Heat source		Heat pump capacity (1 to 40 kW)	11.2 kW			
				Boiler efficiency (25 to 150%)	80%			
				Booster heater 1 capacity (0 to 30 kW)	2 kW			
			Booster heater 2 capacity (0 to 30 kW)	4 kW				
		Smart grid ready	DHW	On/Off	Off			
				Target temp (+1 to +20°C) / -- (Non active)	--			
			Heating	On/Off	Off			
				Target temp.	Switch-on recommendation(20 to 60°C) 50°C Switch-on command(20 to 60°C) 55°C			
			Cooling	On/Off	Off			
				Target temp.	Switch-on recommendation(5 to 25°C) 15°C Switch-on command(5 to 25°C) 10°C			
			Pump cycles	Heating (On/Off)	On			
				Cooling (On/Off)	On			
		Interval(10 to 120 min)	10 min					
		Floor dry up function	On/Off *9	Off				
			Target temp.	Start&Finish (20 to 60°C)	30°C			
				Max. temp. (20 to 60°C)	45°C			
				Max. temp. period (1 to 20 days)	5 days			
			Flow temp. (Increase)	Temp. increase step (+1 to +10°C)	+5°C			
				Increase interval (1 to 7 days)	2 days			
			Flow temp. (Decrease)	Temp. decrease step (-1 to -10°C)	-5°C			
		Decrease interval (1 to 7 days)		2 days				
Summer mode	On/Off	Off						
	Outdoor ambient temp.	Heating ON (4 to 19°C)	10°C					
		Heating OFF (5 to 20°C)	15°C					
	Judgement time	Heating ON (1 to 48 hours)	6 hours					
		Heating OFF (1 to 48 hours)	6 hours					
	Forced heating ON (-30 to 10°C)	5 °C						
Water flow control	On/Off	Off						

4 Cylinder unit

■ Engineers Forms

Commissioning/Field settings record sheet (continued from the previous page)

Main remote controller screen				Parameters	Default setting	Field setting	Notes		
Service menu	Energy monitor settings	Electric heater capacity	Booster heater 1 capacity	0 to 30kW	2kW				
			Booster heater 2 capacity	0 to 30kW	4kW				
			Immersion heater capacity	0 to 30kW	0kW				
			Analog output	0 to 30kW	0kW				
		Delivered energy adjustment			-50 to +50%	0%			
		Water pump input	Pump 1	0 to 200W or *** (factory fitted pump)		***			
			Pump 2	0 to 200W		0W			
			Pump 3	0 to 200W		0W			
			Pump 4	0 to 200W		72W			
		Electric energy meter *12			0.1/1/10/100/1000 pulse/kWh	1000 pulse/kWh			
		Heat meter *12			0.1/1/10/100/1000 pulse/kWh	1000 pulse/kWh			
		External input settings	Demand control (IN4)		Heat source OFF/Boiler operation		Boiler operation		
			Outdoor thermostat (IN5)		Heater operation/Boiler operation		Boiler operation		
		Thermo ON output			Zone1/Zone2/Zone1&2		Zone1&2		

*1 The settings related to Zone2 can be switched only when 2-zone temperature control or 2-Zone valve ON/OFF control is active.

*2 The settings related to Zone2 can be switched only when 2 zone temperature control is enabled (when DIP SW2-6 and SW 2-7 are ON).

*3 Cooling mode settings are available for ER model only.

*4 When the cylinder unit is connected with a PUMY-P outdoor unit, the mode is fixed to "Normal".

*5 For the model without both booster and immersion heater, it may not reach the set temperature depending on the outside ambient temperature.

*6 The lower limit is -15°C depending on the connected outdoor unit.

*7 The lower limit is -13°C depending on the connected outdoor unit.

*8 The lower limit is -14°C depending on the connected outdoor unit.

*9 On: the function is active; Off: the function is inactive.

*10 Do not change the setting since it is set according to the specification of flow sensor attached to the cylinder unit.

*11 When DIP SW1-1 is set to OFF "WITHOUT Boiler" or SW2-6 is set to OFF "WITHOUT Mixing tank", neither Boiler nor Hybrid can be selected.

*12 The default setting is 1 pulse/kWh depending on the connected indoor unit.

*13 Valid only when operating in Heating room temperature.

*14 When DIP SW5-2 is set to OFF, the function is active.

*15 If asterisk (**) is chosen freeze stat function is deactivated. (i.e. primary water freeze risk)

*16 When the cylinder unit is connected with a PUMY-P outdoor unit, the mode is fixed to "Ambient".

*17 *** of **/kWh" represents currency unit (e.g. € or £ or the like)

■ Refrigerant collecting (pumpdown) for split model systems only

Refer to "Refrigerant collection" in the outdoor unit installation manual or service manual.

■ Back-up operation of boiler

Heating operation is backed up by boiler.

For more details, refer to the installation manual of PAC-TH012HT-E.

<Installation & System set up>

1. Set DIP-SW 1-1 to ON "With boiler" and SW2-6 to ON "With Mixing tank".
2. Install the thermistors THWB1 (Flow temp.) *1 on the boiler circuit.
3. Connect the output wire (OUT10: Boiler operation) to the signal input (room thermostat input) on the boiler. *2
4. Install one of the following room temp. thermostats. *3

- Wireless remote controller (option)
- Room temp. thermostat (local supply)
- Main remote controller (remote position)

*1 The boiler temperature thermistor is an optional part.

*2 OUT10 has no voltage across it.

*3 Boiler heating is controlled on/off by the room temp. thermostat.

<Main remote controller settings>

1. Go to Service menu > Heat source setting and choose "Boiler" or "Hybrid". *4
2. Go to Service menu > Operation settings > Boiler settings to make detailed settings for "Hybrid" above.

*4 The "Hybrid" automatically switches heat sources between Heat pump (and Electric heater) and boiler.

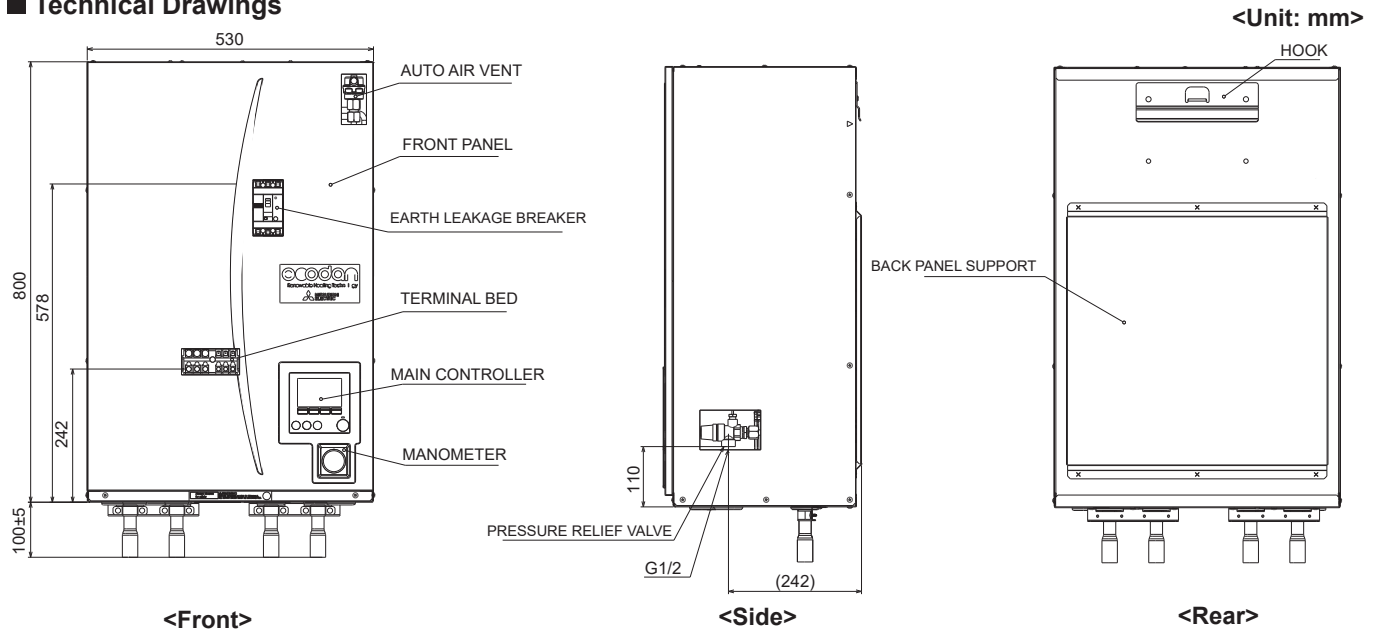
■ Product fiche of temperature control

- (a) Supplier's name: MITSUBISHI ELECTRIC CORPORATION
- (b) Supplier's model identifier: PAR-WT50R-E and PAR-WR51R-E
- (c) The class of the temperature control: V
- (d) The contribution of the temperature control to seasonal space heating energy efficiency: 4%

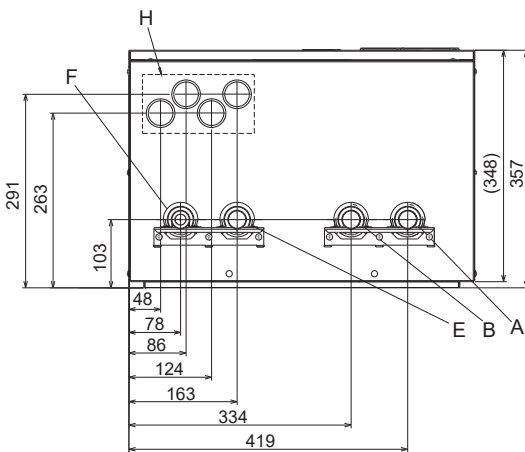
5 Hydrobox

5.1. Outlines and dimensions

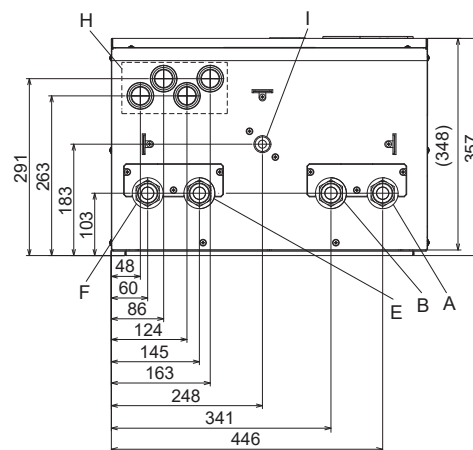
■ Technical Drawings



<EHPX> (Packaged model system for heating)



<ERPX> (Packaged model system for heating and cooling)



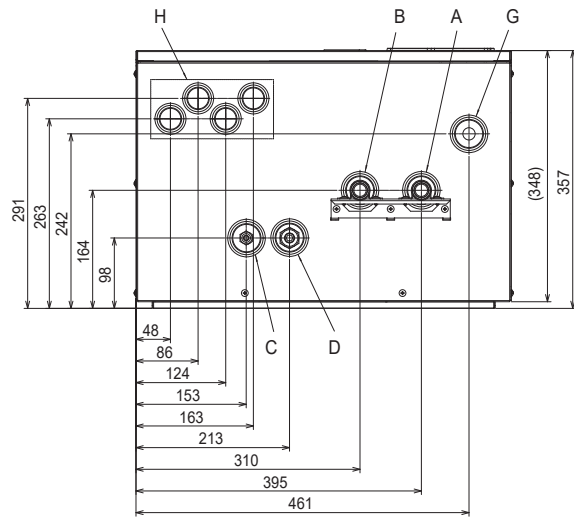
Letter	Pipe description	Connection size/type
A	Space heating/Indirect DHW tank (primary) RETURN connection	28mm/Compression (EHSD/EHSC/EHPX-*) G1 nut (ERSD/ERSC/ERPX-*) G1-1/2 nut (E*SE-*)
B	Space heating/Indirect DHW tank (primary) FLOW connection	28mm/Compression (EHSD/EHSC/EHPX-*) G1 nut (ERSD/ERSC/ERPX-*) G1-1/2 nut (E*SE-*)
C	Refrigerant (Liquid)	6.35 mm/Flare (E*SD-*) 9.52 mm/Flare (E*SC-*) 9.52 mm/Flare (E*SE-*)
D	Refrigerant (Gas)	12.7 mm/Flare (E*SD-*) 15.88 mm/Flare (E*SC-*) Brazing connection I.D. $\varnothing 25.4$ (E*SE-*)
E	Flow connection FROM heat pump	28 mm/Compression (EHPX-*) G1 nut (ERPX-*)
F	Return connection TO heat pump	28 mm/Compression (EHPX-*) G1 nut (ERPX-*)
G	Discharge pipe (by installer) from pressure relief valve	G1/2" female (valve port within hydrobox casing)
H	Electrical cable inlets ① ② ③ ④	For inlets ① and ②, run high-voltage wires including power cable, indoor-outdoor cable, and external output wires. For inlets ③ and ④, run low-voltage wires including external input wires and thermistor wires. For a wireless receiver (option) cable, use inlet ④.
I	Drain socket	O.D. $\varnothing 20$

<Table 5.1>

5 Hydrobox

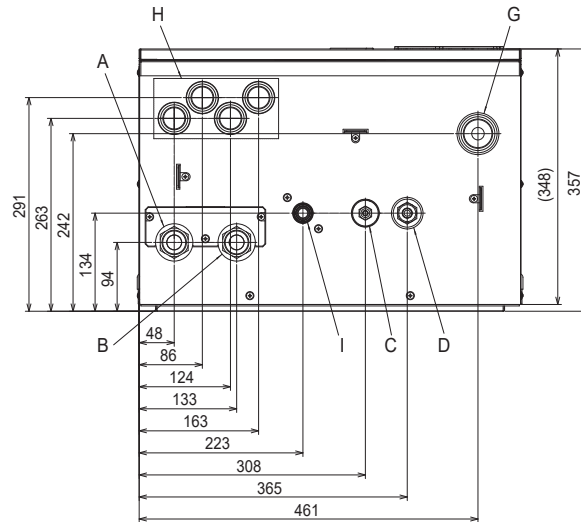
<Unit: mm>

<EHS*> (Split model system for heating)



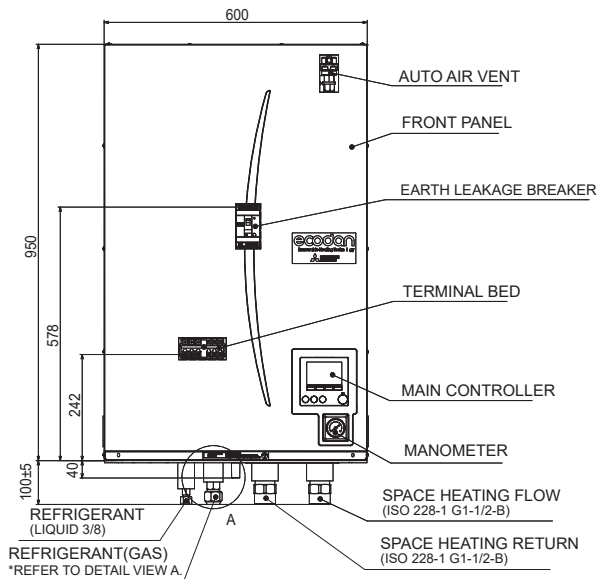
<View from below>

<ERS*> (Split model system for heating and cooling)

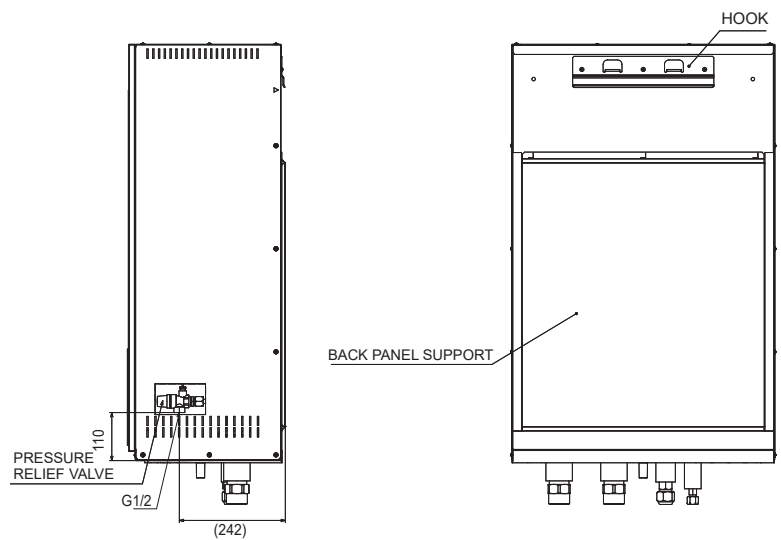


<View from below>

<E*SE> (Split model system for heating/ heating and cooling)

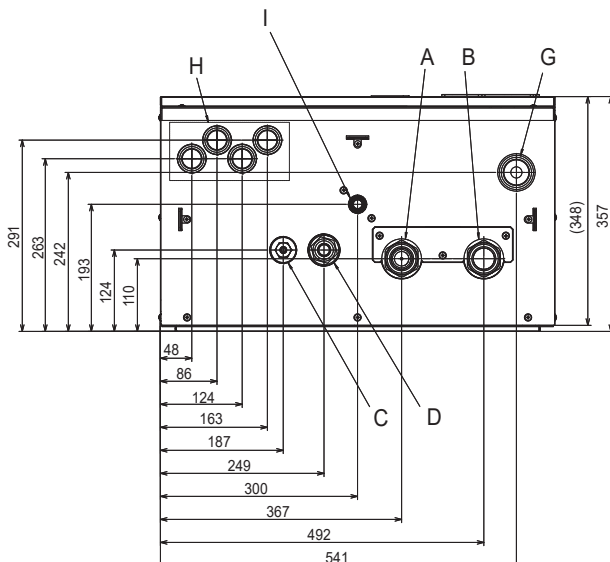


<Front>

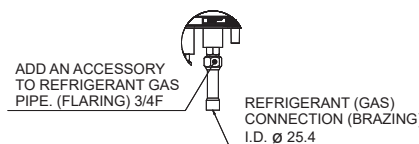


<Side>

<Rear>

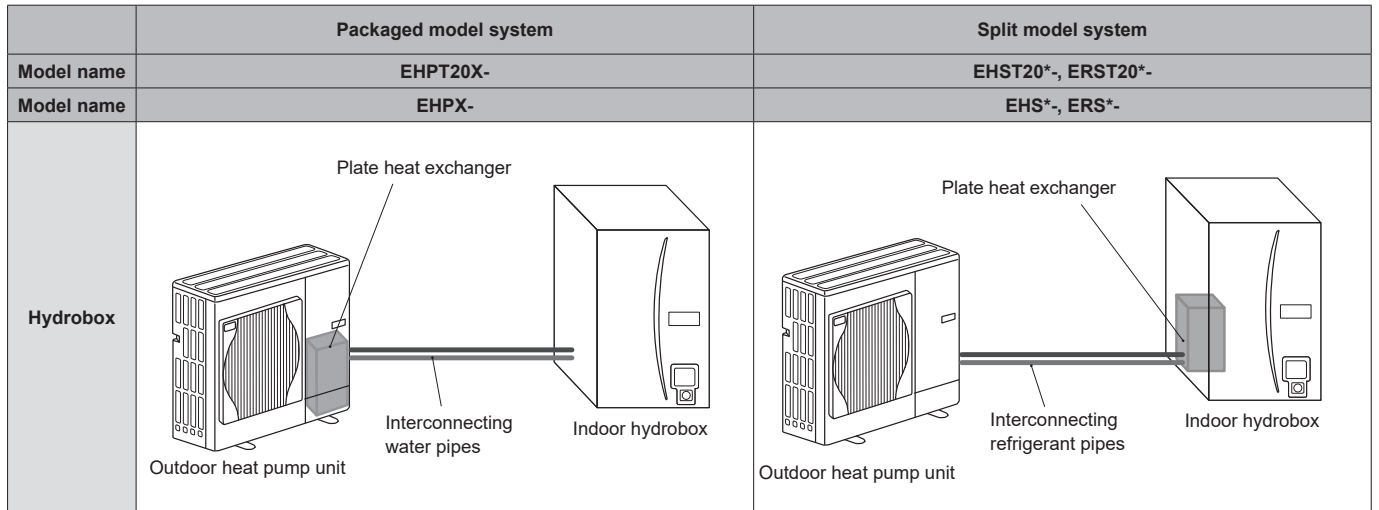


DEATIL VIEW A



5 Hydrobox

System configuration

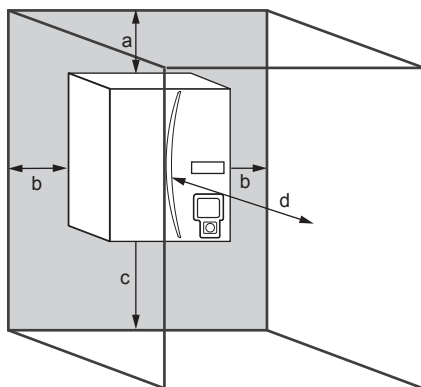


Cylinder unit/
Hydrobox/GSHP/WTW

Service access diagrams

Service access	
Parameter	Dimension (mm)
a	200
b	150
c	500
d	500

Sufficient space MUST be left for the provision of discharge pipework as detailed in National and Local building regulations.



<Figure 5.1.1>
Service access

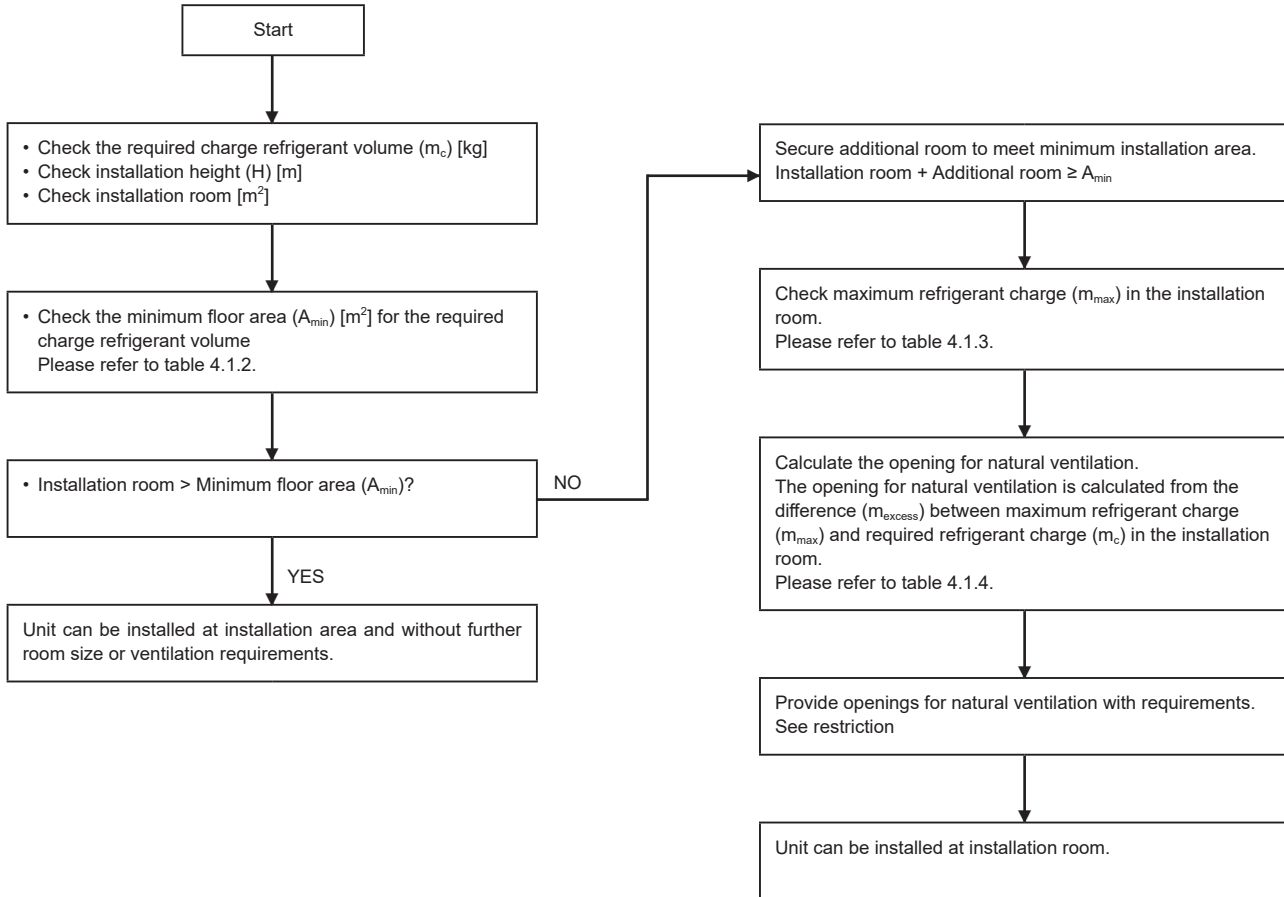
The hydrobox must be located indoors and in a frost-free environment, for example in a utility room.

5 Hydrobox

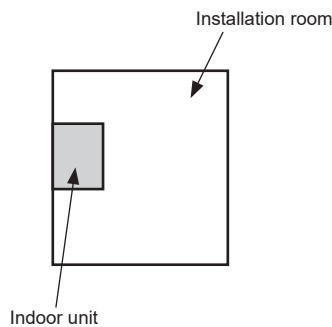
Indoor unit installation requirements for R32 refrigerant

- If the total refrigerant charge in the system is < 1.84 kg, no additional minimum floor area is required.
- If the total refrigerant charge in the system is ≥ 1.84 kg, minimum floor area requirements are complied according to the below flow chart.
- Charges above 2.4 kg are not allowed in the unit.

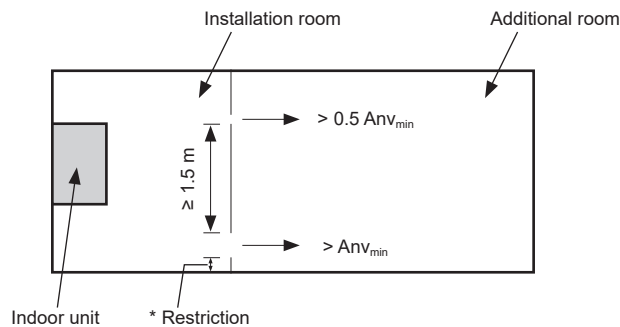
Flow chart for indoor unit installation



Hydrobox:



Hydrobox:
In case of natural ventilation



* Restriction for ventilation

When the openings for connected rooms and natural ventilation are required, the following conditions shall be applied.

- The area of any openings above 300 mm from the floor shall not be considered in determining compliance with minimum opening for natural ventilation (Anv_{min}).
- At least 50% of the required opening area Anv_{min} shall be below 200 mm from the floor.
- The bottom of the lowest openings shall not be higher than the point of release when the unit is installed and not more than 100 mm from the floor.
- Openings are permanent openings which cannot be closed.
- The height of the openings between the wall and floor which connect the rooms are not less than 20 mm.
- A second higher opening shall be provided. The total size of second opening shall not be less than 50% of minimum opening area for Anv_{min} and shall be at least 1.5 m above the floor.

5 Hydrobox

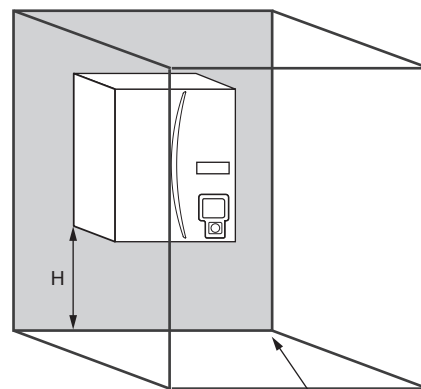
Indoor unit installation requirements for R32 refrigerant

Minimum floor area: indoor unit-Hydrobox

m _c [kg]	Minimum floor area (A _{min}) [m ²]								
	H = 1000 mm	H = 1050 mm	H = 1100 mm	H = 1150 mm	H = 1200 mm	H = 1250 mm	H = 1300 mm	H = 1350 mm	H = 1400 mm
< 1.84	-	-	-	-	-	-	-	-	-
1.84	10.4	9.5	8.6	7.9	7.3	6.7	6.2	6.0	5.8
1.9	11.1	10.1	9.2	8.4	7.7	7.1	6.6	6.2	5.9
2.0	12.3	11.2	10.2	9.3	8.5	7.9	7.3	6.8	6.3
2.1	13.6	12.3	11.2	10.3	9.4	8.7	8.0	7.5	6.9
2.2	14.9	13.5	12.3	11.3	10.3	9.5	8.8	8.2	7.6
2.3	16.3	14.8	13.4	12.3	11.3	10.4	9.6	8.9	8.3
2.4	17.7	16.0	14.6	13.4	12.3	11.3	10.5	9.7	9.0

<Table 4.1.2>

- H = Height measured from the bottom of the casing to the floor.
- If the total refrigerant charge in the system is < 1.84 kg, no additional minimum floor area is required.
- Charges above 2.4 kg are not allowed in the unit.
- For intermediate refrigerant charges, use the row with the higher value.
Example: If the refrigerant charge is 2.04 kg, use the row of 2.1 kg.
- The value of installation height (H) is considered above value to comply to IEC60335-2-40: 2018



Minimum floor area of installation room (m²)

Maximum refrigerant charge allowed in the room: Hydrobox

Installation room [m ²]	Maximum refrigerant charge in a room (m _{max}) [kg]								
	H = 1000 mm	H = 1050 mm	H = 1100 mm	H = 1150 mm	H = 1200 mm	H = 1250 mm	H = 1300 mm	H = 1350 mm	H = 1400 mm
1	1.83	1.83	1.83	1.83	1.83	1.83	1.83	1.83	1.83
2	1.83	1.83	1.83	1.83	1.83	1.83	1.83	1.83	1.83
3	1.83	1.83	1.83	1.83	1.83	1.83	1.83	1.83	1.83
4	1.83	1.83	1.83	1.83	1.83	1.83	1.83	1.83	1.83
5	1.83	1.83	1.83	1.83	1.83	1.83	1.83	1.83	1.83
6	1.83	1.83	1.83	1.83	1.83	1.83	1.83	1.86	1.93
7	1.83	1.83	1.83	1.83	1.83	1.88	1.96	2.04	2.11
8	1.83	1.83	1.83	1.85	1.93	2.01	2.1	2.18	2.26
9	1.83	1.83	1.88	1.97	2.05	2.14	2.22	2.31	2.39
10	1.83	1.89	1.98	2.07	2.16	2.25	2.34	2.4	2.4
11	1.89	1.98	2.08	2.17	2.27	2.36	2.4	2.4	2.4
12	1.97	2.07	2.17	2.27	2.37	2.4	2.4	2.4	2.4
13	2.05	2.16	2.26	2.36	2.4	2.4	2.4	2.4	2.4
14	2.13	2.24	2.35	2.4	2.4	2.4	2.4	2.4	2.4
15	2.21	2.32	2.4	2.4	2.4	2.4	2.4	2.4	2.4
16	2.28	2.39	2.4	2.4	2.4	2.4	2.4	2.4	2.4
17	2.35	2.4	2.4	2.4	2.4	2.4	2.4	2.4	2.4
18	2.4	2.4	2.4	2.4	2.4	2.4	2.4	2.4	2.4

<Table 4.1.3>

- For intermediate floor areas, use the row with the lower value. Example: If the floor area is 5.4 m², use the row of 5 m².
- The value of installation height (H) is considered above value to comply to IEC60335-2-40: 2018

Minimum venting opening area for natural ventilation: Hydrobox

m _c [kg]	m _{max} [kg]	m _{excess} [kg] = m _c - m _{max}	Minimum opening for natural ventilation (An _{v,min}) [cm ²]								
			H = 1000 mm	H = 1050 mm	H = 1100 mm	H = 1150 mm	H = 1200 mm	H = 1250 mm	H = 1300 mm	H = 1350 mm	H = 1400 mm
2.4	1.84	0.56	200	191	182	174	167	160	154	152	149
2.4	1.9	0.5	182	173	165	158	152	146	140	135	133
2.4	2.0	0.4	149	142	136	130	125	120	115	111	107
2.4	2.1	0.3	115	109	105	100	96	92	89	85	82
2.4	2.2	0.2	79	75	71	68	66	63	61	58	56
2.4	2.3	0.1	40	39	37	35	34	32	31	30	29

<Table 4.1.4>

- For intermediate m_{excess} values, the value that corresponds to the higher m_{excess} value from the table is considered.
Example:
m_{excess} = 0.44 kg, the value that corresponds to m_{excess} = 0.5 kg is considered.
- The value of installation height (H) is considered above value to comply to IEC60335-2-40: 2018

Relocating hydrobox

If you need to move the hydrobox to a new position FULLY DRAIN it before moving to avoid damage to the unit.

Note: Do NOT hold piping when moving or lifting the hydrobox.

5 Hydrobox

5.2. Wiring diagrams

■ EHSD-MED, ERSD-MED, EHSC-MED, ERSC-MED, EHSE-MED, ERSE-MED, EHPX-MED

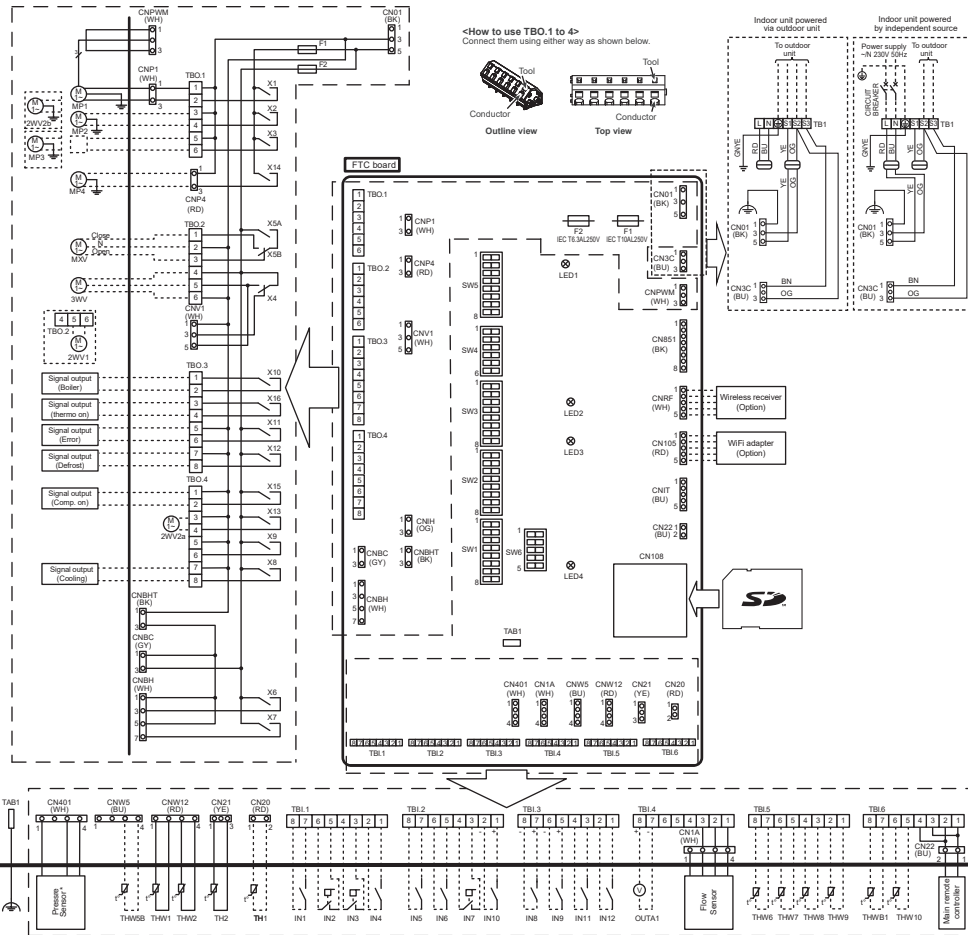


Table 1 Signal Inputs

Name	Terminal block	Connector	Item	OFF (Open)	ON (Short)
IN1	TBI.1 7-8	—	Room thermostat 1 input *1	Refer to SW2-1 in <Table 5.3.1 DIP Switch Functions>	
IN2	TBI.1 5-6	—	Flow switch 1 input	Refer to SW2-2 in <Table 5.3.1 DIP Switch Functions>	
IN3	TBI.1 3-4	—	Flow switch 2 input (Zone1)	Refer to SW3-2 in <Table 5.3.1 DIP Switch Functions>	
IN4	TBI.1 1-2	—	Demand control input	Normal	Heat source OFF/Boiler operation *3
IN5	TBI.2 7-8	—	Outdoor thermostat input *2	Standard operation	Heater operation/Boiler operation *3
IN6	TBI.2 5-6	—	Room thermostat 2 input *1	Refer to SW3-1 in <Table 5.3.1 DIP Switch Functions>	
IN7	TBI.2 3-4	—	Flow switch 3 input (Zone2)	Refer to SW3-2 in <Table 5.3.1 DIP Switch Functions>	
IN8	TBI.3 7-8	—	Electric energy meter 1	Refer to installation manual.	
IN9	TBI.3 5-6	—	Electric energy meter 2		
IN10	TBI.2 1-2	—	Heat meter		
IN11	TBI.3 3-4	—	Smart grid ready input		
IN12	TBI.3 1-2	—	Smart grid ready input		
INA1	TBI.4 1-3	CN1A	Flow sensor		

- *1. Set the ON/OFF cycle time of the room thermostat for 10 minutes or more; otherwise the compressor may be damaged.
- *2. If using outdoor thermostat for controlling operation of heaters, the lifetime of the heaters and related parts may be reduced.
- *3. To turn on the boiler operation, use the main remote controller to select "Boiler" in "External input setting" screen in the service menu.

Table 2 Outputs

Name	Terminal block	Connector	Item	OFF	ON
OUT1	TBO.1 1-2	CNP1	Water circulation pump 1 output (Space heating/cooling & DHW)	OFF	ON
OUT2	TBO.1 3-4	—	Water circulation pump 2 output (Space heating/cooling for Zone1)	OFF	ON
OUT3	TBO.1 5-6	—	Water circulation pump 3 output (Space heating/cooling for Zone2) *1	OFF	ON
OUT4	TBO.2 4-6	CNV1	3-way valve (2-way valve) output	Heating	DHW
OUT5	TBO.2 1-2	CN851	3-way valve output		
OUT6	TBO.2 2-3	—	Mixing valve output *1	Stop	Close
OUT7	—	CN813	Booster heater 1 output	OFF	ON
OUT8	—	CN815	Booster heater 2 output	OFF	ON
OUT9	TBO.4 7-8	—	Cooling signal output	OFF	ON
OUT10	TBO.4 5-6	—	Immersion heater output	OFF	ON
OUT11	TBO.3 1-2	—	Boiler output	OFF	ON
OUT12	TBO.3 5-6	—	Error output	Normal	Error
OUT13	TBO.3 7-8	—	Defrost output	Normal	Defrost
OUT14	TBO.4 3-4	—	2-way valve 2a output *2	OFF	ON
OUT15	—	CNP4	Water circulation pump 4 output (DHW)	OFF	ON
OUT16	TBO.4 1-2	—	Comp. ON signal	OFF	ON
OUTA1	TBI.4 7-8	—	Thermo ON signal	OFF	ON
OUTA1	TBI.4 7-8	—	Analog output	0V-10V	

Do not connect to the terminals that are indicated as "—" in the "Terminal block" field.
 *1. For 2-zone temperature control.
 *2. For 2-zone valve ON/OFF control.

Symbol	Name
TBI	Terminal block <Power supply, Outdoor unit>
ECB1	Earth leakage circuit breaker for booster heater
MP1	Water circulation pump 1 (Space heating and DHW)
MP2	Water circulation pump 2 (Space heating for Zone1)(Local supply)
MP3	Water circulation pump 3 (Space heating for Zone2)(Local supply)
MP4	Water circulation pump 4 (DHW)(Local supply)
3WV(2WV1)	3-way valve (2-way valve 1)(Local supply)
2WV2a	2-way valve (For Zone 1)(Local supply)
2WV2b	2-way valve (For Zone 2)(Local supply)
MXV	Mixing valve (Local supply)
BHT	Thermostat for booster heater
BHF	Thermal fuse for booster heater
BH1	Booster heater 1
BH2	Booster heater 2
BHC1	Contactor for booster heater 1
BHC2	Contactor for booster heater 2
BHCP	Contactor for booster heater protection
TH1	Thermistor (Room temp.)(Option)
TH2	Thermistor (Ref. liquid temp.)
THW1	Thermistor (Flow water temp.)
THW2	Thermistor (Return water temp.)
THWSB	Thermistor (DHW tank water temp.)(Option)
THW6	Thermistor (Zone1 flow temp.)(Option)
THW7	Thermistor (Zone1 return temp.)(Option)
THW8	Thermistor (Zone2 flow temp.)(Option)
THW9	Thermistor (Zone2 return temp.)(Option)
THW10	Thermistor (Mixing tank temp.)(Option)
THWB1	Thermistor (Boiler flow temp.)(Option)
IN1	Room thermostat 1 (Local supply)
IN2	Flow switch 1 (Local supply)
IN3	Flow switch 2 (Local supply)
IN4	Demand control (Local supply)
IN5	Outdoor thermostat (Local supply)
IN6	Room thermostat 2 (Local supply)
IN7	Flow switch 3 (Local supply)
IN8	Electric energy meter 1 (Local supply)
IN9	Electric energy meter 2 (Local supply)
IN10	Heat meter (Local supply)
IN11	Smart grid ready input (Local supply)
IN12	Smart grid ready input (Local supply)
INA1	Flow sensor
FLOW TEMP. CONTROLLER (FTC)	
TBO.1-4	Terminal block <Outputs>
TBI.1-6	Terminal block <Signal Inputs, Thermistor>
F1	Fuse (IEC T10AL250V)
F2	Fuse (IEC T6.3AL250V)
SW1-6	DIP switch *See Table 6.6.1
X1-16	Relay
LED1	Power supply (FTC)
LED2	Power supply (Main remote controller)
LED3	Communication (FTC-Outdoor unit)
LED4	Reading or writing data to SD card
CNPWM	Pump speed control signal for MP1
CN108	SD card connector

Cylinder unit
Hydrobox/GSHP/WTW

5 Hydrobox

EHSD-VM2D, ERSD-VM2D, EHSC-VM2D, ERSC-VM2D, EHPX-VM2D

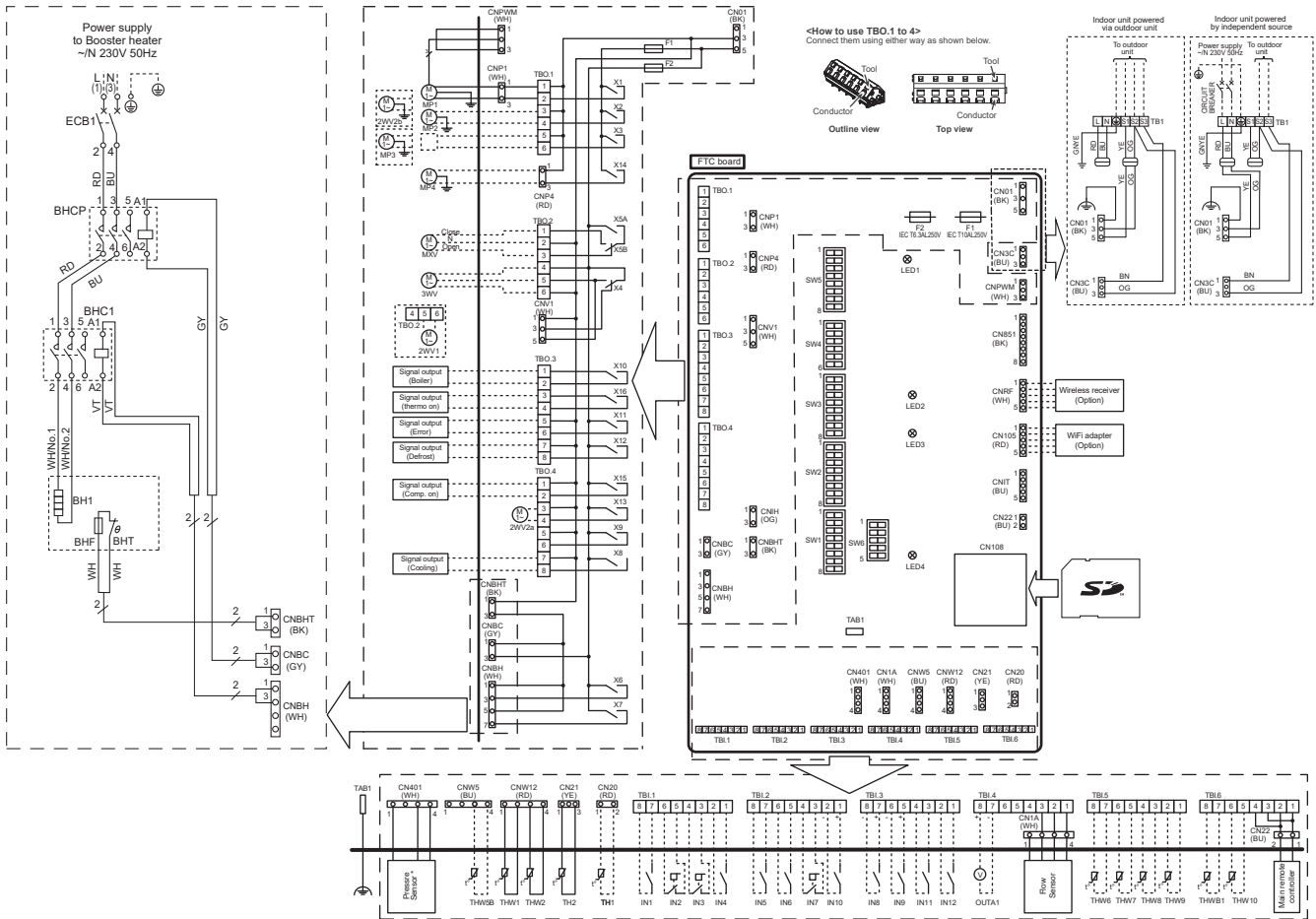


Table 1 Signal Inputs

Name	Terminal block	Connector	Item	OFF (Open)	ON (Short)
IN1	TBI.1	7-8	Room thermostat 1 input *1	Refer to SW2-1 in <Table 5.3.1 DIP Switch Functions>.	
IN2	TBI.1	5-6	Flow switch 1 input	Refer to SW2-2 in <Table 5.3.1 DIP Switch Functions>.	
IN3	TBI.1	3-4	Flow switch 2 input (Zone1)	Refer to SW3-2 in <Table 5.3.1 DIP Switch Functions>.	
IN4	TBI.1	1-2	Demand control input	Normal	Heat source OFF/Boiler operation *3
IN5	TBI.2	7-8	Outdoor thermostat input *2	Standard operation	Heater operation/Boiler operation *3
IN6	TBI.2	5-6	Room thermostat 2 input *1	Refer to SW3-1 in <Table 5.3.1 DIP Switch Functions>.	
IN7	TBI.2	3-4	Flow switch 3 input (Zone2)	Refer to SW2-2 in <Table 5.3.1 DIP Switch Functions>.	
IN8	TBI.3	7-8	Electric energy meter 1		
IN9	TBI.3	5-6	Electric energy meter 2		
IN10	TBI.2	1-2	Heat meter		
IN11	TBI.3	3-4	Smart grid ready input		Refer to installation manual.
IN12	TBI.3	1-2	Smart grid ready input		
INA1	TBI.4	1-3	CN1A	Flow sensor	

- *1. Set the ON/OFF cycle time of the room thermostat for 10 minutes or more; otherwise the compressor may be damaged.
- *2. If using outdoor thermostat for controlling operation of heaters, the lifetime of the heaters and related parts may be reduced.
- *3. To turn on the boiler operation, use the main remote controller to select "Boiler" in "External input setting" screen in the service menu.

Table 2 Outputs

Name	Terminal block	Connector	Item	OFF	ON	
OUT1	TBO.1	1-2	CNP1	Water circulation pump 1 output (Space heating/cooling & DHW)	OFF	ON
OUT2	TBO.1	3-4	—	Water circulation pump 2 output (Space heating/cooling for Zone1)	OFF	ON
OUT3	TBO.1	5-6	—	Water circulation pump 3 output (Space heating/cooling for Zone2) *1	OFF	ON
OUT4	TBO.2	4-6	CNV1	3-way valve (2-way valve) output	Heating	DHW
OUT5	TBO.2	1-2	—	Mixing valve output *1	Stop	Close
OUT6	—	ONB1-3	—	Booster heater 1 output	OFF	ON
OUT7	—	ONB1-5	—	Booster heater 2 output	OFF	ON
OUT8	TBO.4	7-8	—	Cooling signal output	OFF	ON
OUT9	TBO.4	5-6	CNIH	Immersion heater output	OFF	ON
OUT10	TBO.3	1-2	—	Boiler output	OFF	ON
OUT11	TBO.3	5-6	—	Error output	Normal	Error
OUT12	TBO.3	7-8	—	Defrost output	Normal	Defrost
OUT13	TBO.4	3-4	—	2-way valve 2a output *2	OFF	ON
OUT14	—	CNP4	—	Water circulation pump 4 output (DHW)	OFF	ON
OUT15	TBO.4	1-2	—	Comp. ON signal	OFF	ON
OUT16	TBO.3	3-4	—	Thermo ON signal	OFF	ON
OUTA1	TBI.4	7-8	—	Analog output	0V-10V	

Do not connect to the terminals that are indicated as "—" in the "Terminal block" field.

- *1. For 2-zone temperature control.
- *2. For 2-zone valve ON/OFF control.

Symbol	Name
TB1	Terminal block <Power supply, Outdoor unit>
ECB1	Earth leakage circuit breaker for booster heater
MP1	Water circulation pump 1 (Space heating and DHW)
MP2	Water circulation pump 2 (Space heating for Zone1)(Local supply)
MP3	Water circulation pump 3 (Space heating for Zone2)(Local supply)
MP4	Water circulation pump 4 (DHW)(Local supply)
3W1/2W1	3-way valve (2-way valve 1)(Local supply)
2WV2a	2-way valve (For Zone 1)(Local supply)
2WV2b	2-way valve (For Zone 2)(Local supply)
MXV	Mixing valve (Local supply)
BHT	Thermostat for booster heater
BHF	Thermal fuse for booster heater
BH1	Booster heater 1
BHC1	Contactors for booster heater 1
BHCP	Contactors for booster heater protection
TH1	Thermistor (Room temp.)(Option)
TH2	Thermistor (Ref. liquid temp.)
THW1	Thermistor (Flow water temp.)
THW2	Thermistor (Return water temp.)
THW5B	Thermistor (DHW tank water temp.)(Option)
THW6	Thermistor (Zone1 flow temp.)(Option)
THW7	Thermistor (Zone1 return temp.)(Option)
THW8	Thermistor (Zone2 flow temp.)(Option)
THW9	Thermistor (Zone2 return temp.)(Option)
THW10	Thermistor (Mixing tank temp.)(Option)
THWB1	Thermistor (Boiler flow temp.)(Option)
IN1	Room thermostat 1 (Local supply)
IN2	Flow switch 1 (Local supply)
IN3	Flow switch 2 (Local supply)
IN4	Demand control (Local supply)
IN5	Outdoor thermostat (Local supply)
IN6	Room thermostat 2 (Local supply)
IN7	Flow switch 3 (Local supply)
IN8	Electric energy meter 1 (Local supply)
IN9	Electric energy meter 2 (Local supply)
IN10	Heat meter (Local supply)
IN11	Smart grid ready input (Local supply)
IN12	Smart grid ready input (Local supply)
INA1	Flow sensor
FLOW TEMP. CONTROLLER (FTC)	
TBO.1-4	Terminal block <Outputs>
TBI.1-6	Terminal block <Signal Inputs, Thermistor>
F1	Fuse (IEC T10AL250V)
F2	Fuse (IEC T6.3AL250V)
SW1-6	DIP switch *See Table 6.6.1
X1-16	Relay
LED1	Power supply (FTC)
LED2	Power supply (Main remote controller)
LED3	Communication (FTC-Outdoor unit)
LED4	Reading or writing data to SD card
CNP1WM	Pump speed control signal for MP1
CN108	SD card connector

EHSD-VM6D, EHSC-VM6D, EHPX-VM6D

Cylinder unit
Hydrobox/GSHP/WTW

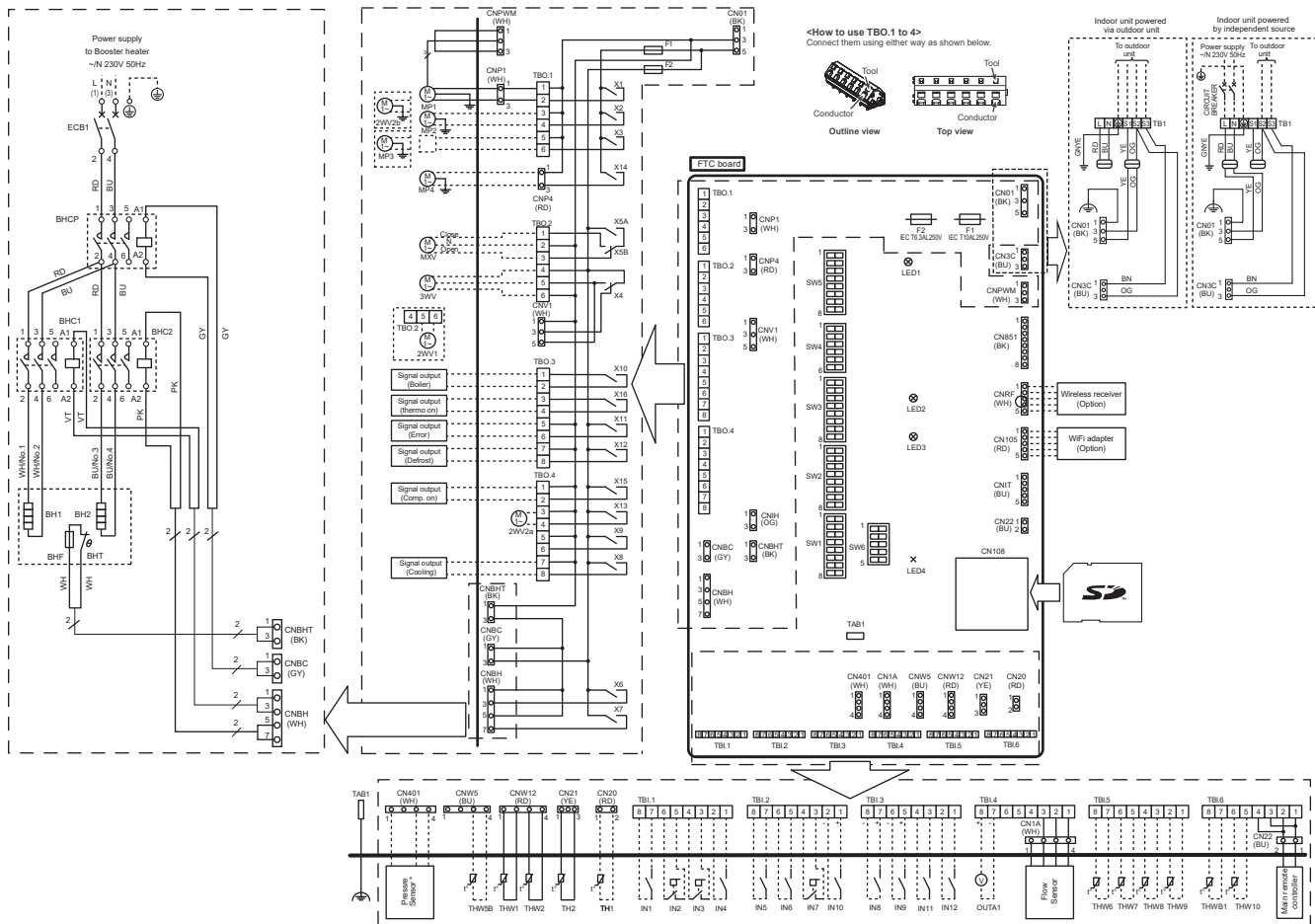


Table 1 Signal Inputs

Name	Terminal block	Connect	Item	OFF (Open)	ON (Short)
IN1	TBI.1 7-8	—	Room thermostat 1 input *1	Refer to SW2-1 in <Table 5.3.1 DIP Switch Functions>	
IN2	TBI.1 5-6	—	Flow switch 1 input	Refer to SW2-2 in <Table 5.3.1 DIP Switch Functions>	
IN3	TBI.1 3-4	—	Flow switch 2 input (Zone1)	Refer to SW3-2 in <Table 5.3.1 DIP Switch Functions>	
IN4	TBI.1 1-2	—	Demand control input	Normal	Heat source OFF/Boiler operation *3
IN5	TBI.2 7-8	—	Outdoor thermostat input *2	Standard operation	Heater operation/Boiler operation *3
IN6	TBI.2 5-6	—	Room thermostat 2 input *1	Refer to SW3-1 in <Table 5.3.1 DIP Switch Functions>	
IN7	TBI.2 3-4	—	Flow switch 3 input (Zone2)	Refer to SW3-2 in <Table 5.3.1 DIP Switch Functions>	
IN8	TBI.3 7-8	—	Electric energy meter 1	Refer to installation manual.	
IN9	TBI.3 5-6	—	Electric energy meter 2		
IN10	TBI.2 1-2	—	Heat meter		
IN11	TBI.3 3-4	—	Smart grid ready input		
IN12	TBI.3 1-2	—	Flow sensor		
INA1	TBI.4 1-3	CN1A	Flow sensor		

- *1. Set the ON/OFF cycle time of the room thermostat for 10 minutes or more; otherwise the compressor may be damaged.
- *2. If using outdoor thermostat for controlling operation of heaters, the lifetime of the heaters and related parts may be reduced.
- *3. To turn on the boiler operation, use the main remote controller to select "Boiler" in "External input setting" screen in the service menu.

Table 2 Outputs

Name	Terminal block	Connect	Item	OFF	ON
OUT1	TBO.1 1-2	CNP1	Water circulation pump 1 output (Space heating/cooling & DHW)	OFF	ON
OUT2	TBO.1 3-4	—	Water circulation pump 2 output (Space heating/cooling for Zone1)	OFF	ON
OUT3	TBO.1 5-6	—	Water circulation pump 3 output (Space heating/cooling for Zone2) *1	OFF	ON
OUT4	TBO.2 4-6	CNV1 CN51	2-way valve 2b output *2 3-way valve output	Heating	DHW
OUT5	TBO.2 1-2	—	Mixing valve output *1	Stop	Open
OUT6	—	DNH13	Booster heater 1 output	OFF	ON
OUT7	—	DNH57	Booster heater 2 output	OFF	ON
OUT8	TBO.4 7-8	—	Cooling signal output	OFF	ON
OUT9	TBO.4 5-6	CNIH	Immersion heater output	OFF	ON
OUT10	TBO.3 1-2	—	Boiler output	OFF	ON
OUT11	TBO.3 5-6	—	Error output	Normal	Error
OUT12	TBO.3 7-8	—	Defrost output	Normal	Defrost
OUT13	TBO.4 3-4	—	2-way valve 2a output *2	OFF	ON
OUT14	—	CNP4	Water circulation pump 4 output (DHW)	OFF	ON
OUT15	TBO.4 1-2	—	Comp. ON signal	OFF	ON
OUT16	TBO.3 3-4	—	Thermo ON signal	OFF	ON
OUTA1	TBI.4 7-8	—	Analog output	0V-10V	

Do not connect to the terminals that are indicated as "—" in the "Terminal block" field.
*1. For 2-zone temperature control.
*2. For 2-zone valve ON/OFF control.

Symbol	Name
TB1	Terminal block <Power supply, Outdoor unit>
ECB1	Earth leakage circuit breaker for booster heater
MP1	Water circulation pump 1 (Space heating and DHW)
MP2	Water circulation pump 2 (Space heating for Zone1)(Local supply)
MP3	Water circulation pump 3 (Space heating for Zone2)(Local supply)
MP4	Water circulation pump 4 (DHW)(Local supply)
3WV/2WV1	3-way valve (2-way valve 1)(Local supply)
2WV2a	2-way valve (For Zone 1)(Local supply)
2WV2b	2-way valve (For Zone 2)(Local supply)
MXV	Mixing valve (Local supply)
BHT	Thermostat for booster heater
BHF	Thermal fuse for booster heater
BH1	Booster heater 1
BH2	Booster heater 2
BHC1	Contact for booster heater 1
BHC2	Contact for booster heater 2
BHCP	Contact for booster heater protection
TH1	Thermistor (Room temp.)(Option)
TH2	Thermistor (Ref. liquid temp.)
THW1	Thermistor (Flow water temp.)
THW2	Thermistor (Return water temp.)
THWSB	Thermistor (DHW tank water temp.)(Option)
THW6	Thermistor (Zone1 flow temp.)(Option)
THW7	Thermistor (Zone1 return temp.)(Option)
THW8	Thermistor (Zone2 flow temp.)(Option)
THW9	Thermistor (Zone2 return temp.)(Option)
THW10	Thermistor (Mixing tank temp.)(Option)
THWB1	Thermistor (Boiler flow temp.)(Option)
IN1	Room thermostat 1 (Local supply)
IN2	Flow switch 1 (Local supply)
IN3	Flow switch 2 (Local supply)
IN4	Demand control (Local supply)
IN5	Outdoor thermostat (Local supply)
IN6	Room thermostat 2 (Local supply)
IN7	Flow switch 3 (Local supply)
IN8	Electric energy meter 1 (Local supply)
IN9	Electric energy meter 2 (Local supply)
IN10	Heat meter (Local supply)
IN11	Smart grid ready input (Local supply)
IN12	Flow sensor
INA1	Flow sensor
FLOW TEMP. CONTROLLER (FTC)	
TBO.1-4	Terminal block <Outputs>
TBI.1-6	Terminal block <Signal Inputs, Thermistor>
F1	Fuse (IEC T6.3AL250V)
F2	Fuse (IEC T10AL250V)
SW1-6	DIP switch *See Table 6.6.1
X1-16	Relay
LED1	Power supply (FTC)
LED2	Power supply (Main remote controller)
LED3	Communication (FTC-Outdoor unit)
LED4	Reading or writing data to SD card
CNPWM	Pump speed control signal for MP1
CN108	SD card connector

EHSD-YM9D, EHSD-YM9ED, EHSC-YM9D, EHSC-YM9ED, EHSE-YM9ED, ERSE-YM9ED, EHPX-YM9ED

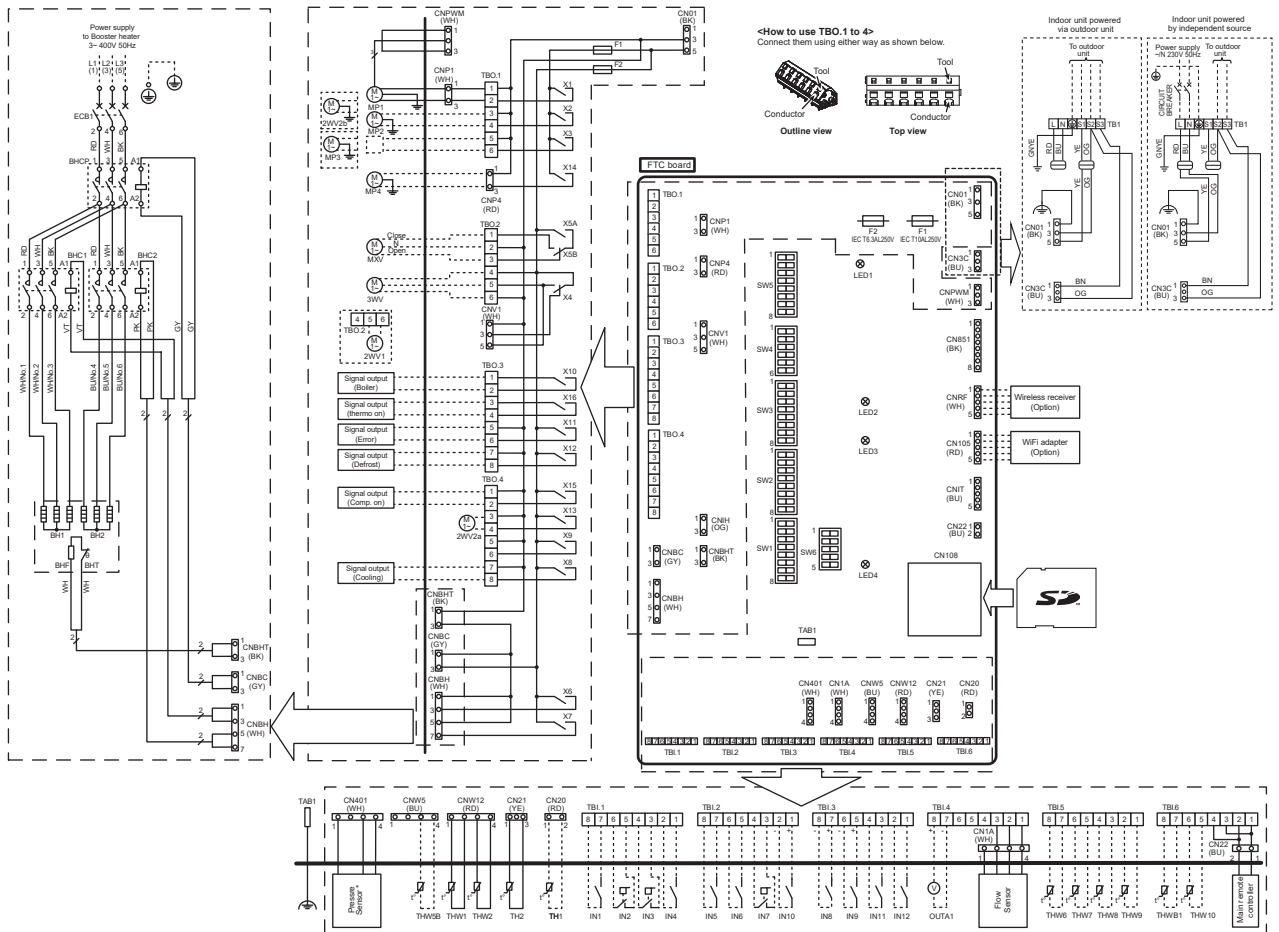


Table 1 Signal Inputs

Name	Terminal block	Connector	Item	OFF (Open)	ON (Short)
IN1	TBI.1 7-8	—	Room thermostat 1 input *1	Refer to SW2-1 in <Table 5.3.1 DIP Switch Functions>	
IN2	TBI.1 5-6	—	Flow switch 1 input	Refer to SW2-2 in <Table 5.3.1 DIP Switch Functions>	
IN3	TBI.1 3-4	—	Flow switch 2 input (Zone1)	Refer to SW3-2 in <Table 5.3.1 DIP Switch Functions>	
IN4	TBI.1 1-2	—	Demand control input	Normal	Heat source OFF/Boiler operation *3
IN5	TBI.2 7-8	—	Outdoor thermostat input *2	Standard operation	Heater operation/Boiler operation *3
IN6	TBI.2 5-6	—	Room thermostat 2 input *1	Refer to SW3-1 in <Table 5.3.1 DIP Switch Functions>	
IN7	TBI.2 3-4	—	Flow switch 3 input (Zone2)	Refer to SW3-2 in <Table 5.3.1 DIP Switch Functions>	
IN8	TBI.3 7-8	—	Electric energy meter 1		
IN9	TBI.3 5-6	—	Electric energy meter 2		
IN10	TBI.2 1-2	—	Heat meter		
IN11	TBI.3 3-4	—	Smart grid ready input		
IN12	TBI.3 1-2	—	Flow sensor		
IN1	TBI.4 1-3	CN1A	Flow sensor		

- *1. Set the ON/OFF cycle time of the room thermostat for 10 minutes or more, otherwise the compressor may be damaged.
- *2. If using outdoor thermostat for controlling operation of heaters, the lifetime of the heaters and related parts may be reduced.
- *3. To turn on the boiler operation, use the main remote controller to select "Boiler" in "External input setting" screen in the service menu.

Table 2 Outputs

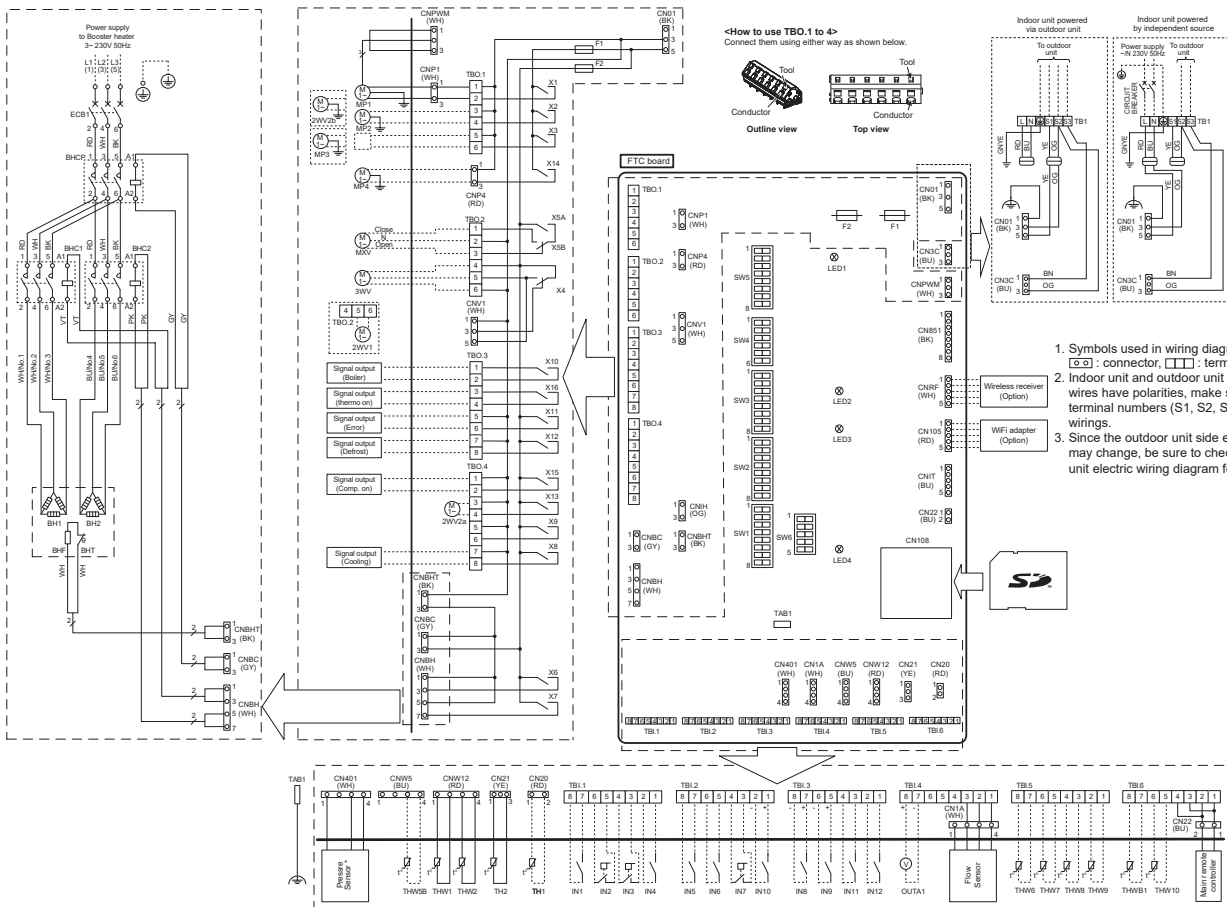
Name	Terminal block	Connector	Item	OFF	ON
OUT1	TBO.1 1-2	CNP1	Water circulation pump 1 output (Space heating/cooling & DHW)	OFF	ON
OUT2	TBO.1 3-4	—	Water circulation pump 2 output (Space heating/cooling for Zone1)	OFF	ON
OUT3	TBO.1 5-6	—	Water circulation pump 3 output (Space heating/cooling for Zone2) *1	OFF	ON
OUT4	TBO.2 4-6	CNV1	3-way valve (2-way valve) output	Heating	DHW
OUT4	—	CN851	3-way valve output		
OUT5	TBO.2 1-2	—	Mixing valve output *1	Stop	Close
OUT5	TBO.2 2-3	—		OFF	ON
OUT6	—	DI8H13	Booster heater 1 output	OFF	ON
OUT7	—	DI8H57	Booster heater 2 output	OFF	ON
OUT8	TBO.4 7-8	—	Cooling signal output	OFF	ON
OUT8	TBO.4 5-6	CNIH	Immersion heater output	OFF	ON
OUT10	TBO.3 1-2	—	Boiler output	OFF	ON
OUT11	TBO.3 5-6	—	Error output	Normal	Error
OUT12	TBO.3 7-8	—	Defrost output	Normal	Defrost
OUT13	TBO.4 3-4	—	2-way valve 2a output *2	OFF	ON
OUT14	—	CNP4	Water circulation pump 4 output (DHW)	OFF	ON
OUT15	TBO.4 1-2	—	Comp. ON signal	OFF	ON
OUT16	TBO.3 3-4	—	Thermo ON signal	OFF	ON
OUT1	TBI.4 7-8	—	Analog output	0V-10V	

Do not connect to the terminals that are indicated as "—" in the "Terminal block" field.
 *1. For 2-zone temperature control.
 *2. For 2-zone valve ON/OFF control.

Symbol	Name
TB1	Terminal block <Power supply, Outdoor unit>
ECB1	Earth leakage circuit breaker for booster heater
MP1	Water circulation pump 1 (Space heating and DHW)
MP2	Water circulation pump 2 (Space heating for Zone1) (Local supply)
MP3	Water circulation pump 3 (Space heating for Zone2) (Local supply)
MP4	Water circulation pump 4 (DHW) (Local supply)
3W1(2W1)	3-way valve (2-way valve 1) (Local supply)
2WV2a	2-way valve (For Zone 1) (Local supply)
2WV2b	2-way valve (For Zone 2) (Local supply)
MXV	Mixing valve (Local supply)
BHT	Thermostat for booster heater
BHF	Thermal fuse for booster heater
BH1	Booster heater 1
BH2	Booster heater 2
BHC1	Contact for booster heater 1
BHC2	Contact for booster heater 2
BHCP	Contact for booster heater protection
TH1	Thermistor (Room temp.) (Option)
TH2	Thermistor (Ref. liquid temp.)
THW1	Thermistor (Flow water temp.)
THW2	Thermistor (Return water temp.)
THWSB	Thermistor (DHW tank water temp.) (Option)
THW6	Thermistor (Zone1 flow temp.) (Option)
THW7	Thermistor (Zone2 return temp.) (Option)
THW8	Thermistor (Zone2 flow temp.) (Option)
THW9	Thermistor (Zone2 return temp.) (Option)
THW10	Thermistor (Mixing tank temp.) (Option)
THWB1	Thermistor (Boiler flow temp.) (Option)
IN1	Room thermostat 1 (Local supply)
IN2	Flow switch 1 (Local supply)
IN3	Flow switch 2 (Local supply)
IN4	Demand control (Local supply)
IN5	Outdoor thermostat (Local supply)
IN6	Room thermostat 2 (Local supply)
IN7	Flow switch 3 (Local supply)
IN8	Electric energy meter 1 (Local supply)
IN9	Electric energy meter 2 (Local supply)
IN10	Heat meter (Local supply)
IN11	Smart grid ready input (Local supply)
IN12	Flow sensor
IN1	Flow sensor
FLOW TEMP. CONTROLLER (FTC)	
TBO.1-4	Terminal block <Outputs>
TBI.1-6	Terminal block <Signal Inputs, Thermistor>
F1	Fuse (IEC T10AL250V)
F2	Fuse (IEC T6.3AL250V)
SW1-6	DIP switch *See Table 6.6.1
X1-16	Relay
LED1	Power supply (FTC)
LED2	Power supply (Main remote controller)
LED3	Communication (FTC-Outdoor unit)
LED4	Reading or writing data to SD card
CNPWM	Pump speed control signal for MP1
CN108	SD card connector

EHSD-TM9D, EHSC-TM9D

Cylinder unit
Hydrobox/GSHP/WTW



1. Symbols used in wiring diagram are, : connector, : terminal block.
2. Indoor unit and outdoor unit connecting wires have polarities, make sure to match terminal numbers (S1, S2, S3) for correct wirings.
3. Since the outdoor unit side electric wiring may change, be sure to check the outdoor unit electric wiring diagram for service.

Table 1 Signal Inputs

Name	Terminal block	Connector	Item	OFF (Open)	ON (Short)
IN1	TBI.1 7-8	—	Room thermostat 1 input *1	Refer to SW2-1 in <Table 5.3.1 DIP Switch Functions>	
IN2	TBI.1 5-6	—	Flow switch 1 input	Refer to SW2-2 in <Table 5.3.1 DIP Switch Functions>	
IN3	TBI.1 3-4	—	Flow switch 2 input (Zone 1)	Refer to SW3-2 in <Table 5.3.1 DIP Switch Functions>	
IN4	TBI.1 1-2	—	Demand control input	Normal	Heat source OFF/Boiler operation *3
IN5	TBI.2 7-8	—	Outdoor thermostat input *2	Standard operation	Heater operation/Boiler operation *3
IN6	TBI.2 5-6	—	Room thermostat 2 input *1	Refer to SW3-1 in <Table 5.3.1 DIP Switch Functions>	
IN7	TBI.2 3-4	—	Flow switch 3 input (Zone2)	Refer to SW3-2 in <Table 5.3.1 DIP Switch Functions>	
IN8	TBI.3 7-8	—	Electric energy meter 1		
IN9	TBI.3 5-6	—	Electric energy meter 2		
IN10	TBI.2 1-2	—	Heat meter		
IN11	TBI.3 3-4	—	Smart grid ready input		
IN12	TBI.1 1-2	—	Flow sensor		
INA1	TBI.4 1-3	CN1A	Flow sensor		

- *1. Set the ON/OFF cycle time of the room thermostat for 10 minutes or more, otherwise the compressor may be damaged.
- *2. If using outdoor thermostat for controlling operation of heaters, the lifetime of the heaters and related parts may be reduced.
- *3. To turn on the boiler operation, use the main remote controller to select "Boiler" in "External input setting" screen in the service menu.

Table 2 Outputs

Name	Terminal block	Connector	Item	OFF	ON
OUT1	TBO.1 1-2	CNP1	Water circulation pump 1 output (Space heating/cooling & DHW)	OFF	ON
OUT2	TBO.1 3-4	—	Water circulation pump 2 output (Space heating/cooling for Zone1)	OFF	ON
OUT3	TBO.1 5-6	—	Water circulation pump 3 output (Space heating/cooling for Zone2) *1	OFF	ON
OUT4	TBO.2 4-8	CNV1	3-way valve (2-way valve) output		
OUT5	TBO.2 1-2	CNB5	3-way valve output		
OUT6	—	CNB1-3	Booster heater 1 output	Stop	Close
OUT7	—	CNB5-7	Booster heater 2 output	OFF	ON
OUT8	TBO.4 7-8	—	Cooling signal output	OFF	ON
OUT9	TBO.4 5-6	CNIH	Immersion heater output	OFF	ON
OUT10	TBO.3 1-2	—	Boiler output	OFF	ON
OUT11	TBO.3 5-6	—	Error output	Normal	Error
OUT12	TBO.3 7-8	—	Defrost output	Normal	Defrost
OUT13	TBO.4 3-4	—	2-way valve 2a output *2	OFF	ON
OUT14	—	CNP4	Water circulation pump 4 output (DHW)	OFF	ON
OUT15	TBO.4 1-2	—	Comp. ON signal	OFF	ON
OUT16	TBO.3 3-4	—	Thermo ON signal	OFF	ON
OUTA1	TBI.4 7-8	—	Analog output	0V-10V	

Do not connect to the terminals that are indicated as "—" in the "Terminal block" field.
*1. For 2-zone temperature control.
*2. For 2-zone valve ON/OFF control.

Symbol	Name
TB1	Terminal block <Power supply, Outdoor unit>
ECB1	Earth leakage circuit breaker for booster heater
MP1	Water circulation pump 1(Space heating & DHW)
MP2	Water circulation pump 2 (Space heating for Zone1)(Local supply)
MP3	Water circulation pump 3 (Space heating for Zone2)(Local supply)
MP4	Water circulation pump 4 (DHW)(Local supply)
3WV(2WV1)	3-way valve (2-way valve 1)(Local supply)
2WV2a	2-way valve (For Zone 1)(Local supply)
2WV2b	2-way valve (For Zone 2)(Local supply)
MXV	Mixing valve (Local supply)
BHT	Thermostat for booster heater
BHF	Thermal fuse for booster heater
BH1	Booster heater 1
BH2	Booster heater 2
BHC1	Contact for booster heater 1
BHC2	Contact for booster heater 2
BHCP	Contact for booster heater protection
TH1	Thermistor (Room temp.)(Option)
TH2	Thermistor (Ref. liquid temp.)
THW1	Thermistor (Flow water temp.)
THW2	Thermistor (Return water temp.)
THW5B	Thermistor (DHW tank water temp.)(Option)
THW6	Thermistor (Zone1 flow temp.)(Option)
THW7	Thermistor (Zone1 return temp.)(Option)
THW8	Thermistor (Zone2 flow temp.)(Option)
THW9	Thermistor (Zone2 return temp.)(Option)
THW10	Thermistor (Mixing tank temp.)(Option)
THWB1	Thermistor (Boiler flow temp.)(Option)
IN1	Room thermostat 1 (Local supply)
IN2	Flow switch 1 (Local supply)
IN3	Flow switch 2 (Local supply)
IN4	Demand control (Local supply)
IN5	Outdoor thermostat (Local supply)
IN6	Room thermostat 2 (Local supply)
IN7	Flow switch 3 (Local supply)
IN8	Electric energy meter 1 (Local supply)
IN9	Electric energy meter 2 (Local supply)
IN10	Heat meter (Local supply)
IN11	Smart grid ready input (Local supply)
IN12	Flow sensor
INA1	Flow sensor
FLOW TEMP. CONTROLLER (FTC)	
TBO.1-4	Terminal block <Outputs>
TBI.1-6	Terminal block <Signal Inputs, Thermistor>
F1	Fuse (IEC T10AL250V)
F2	Fuse (IEC T6.3AL250V)
SW1-6	DIP switch *See Table 3
X1-16	Relay
LED1	Power supply (FTC)
LED2	Power supply (Main remote controller)
LED3	Communication (FTC-Outdoor unit)
LED4	Reading or writing data to SD card
CNPWM	Pump speed control signal for MP1
CN108	SD card connector

5 Hydrobox

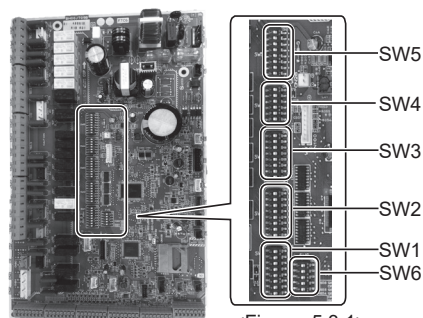
5.3. DIP Switch Functions

The DIP switch number is printed on the circuit board next to the relevant switches. The word ON is printed on the circuit board and on the DIP switch block itself. To move the switch you need to use a pin or the corner of a thin metal ruler or similar.

DIP switch settings are listed below in Table 5.3.1.

Only an authorised installer can change DIP switch setting under one's own responsibility according to the installation condition.

Make sure to turn off both indoor unit and outdoor unit power supplies before changing the switch settings.



<Table 5.3.1>

<Figure 5.3.1>

DIP switch	Function	OFF	ON	Default settings: Indoor model name				
SW1	SW1-1 Boiler	WITHOUT Boiler	WITH Boiler	OFF				
	SW1-2 Heat pump maximum outlet water temperature	55°C	60°C	ON *1				
	SW1-3 DHW tank	WITHOUT DHW tank	WITH DHW tank	OFF				
	SW1-4 Immersion heater	WITHOUT Immersion heater	WITH Immersion heater	OFF				
	SW1-5 Booster heater	WITHOUT Booster heater	WITH Booster heater	OFF: E***-M*D ON : E***-M2/6/9*D				
	SW1-6 Booster heater function	For heating only	For heating and DHW	OFF: E***-M*D ON : E***-M2/6/9*D				
	SW1-7 Outdoor unit type	Split type	Packaged type	OFF: Except E*PX-*M**D ON : E*PX-*M**D				
	SW1-8 Wireless remote controller	WITHOUT Wireless remote controller	WITH Wireless remote controller	OFF				
SW2	SW2-1 Room thermostat 1 input (IN1) logic change	Zone1 operation stop at thermostat short	Zone1 operation stop at thermostat open	OFF				
	SW2-2 Flow switch1 input (IN2) logic change	Failure detection at short	Failure detection at open	OFF				
	SW2-3 Booster heater capacity restriction	Inactive	Active	OFF: Except E***-VM2*D ON : E***-VM2*D				
	SW2-4 Cooling mode function	Inactive	Active	OFF: Except ER**-*M**D ON : ER**-*M**D				
	SW2-5 Automatic switch to backup heat source operation (When outdoor unit stops by error)	Inactive	Active *2	OFF				
	SW2-6 Mixing tank	WITHOUT Mixing tank	WITH Mixing tank	OFF				
	SW2-7 2-zone temperature control	Inactive	Active *3	OFF				
	SW2-8 Flow sensor	WITHOUT Flow sensor	WITH Flow sensor	ON				
SW3	SW3-1 Room thermostat 2 input logic change	Zone2 operation stop at thermostat short	Zone2 operation stop at thermostat open	OFF				
	SW3-2 Flow switch 2 and 3 input logic change	Failure detection at short	Failure detection at open	OFF				
	SW3-3	—	—	OFF				
	SW3-4 Electric energy meter	WITHOUT Electric energy meter	WITH Electric energy meter	OFF				
	SW3-5 Heating mode function *4	Inactive	Active	ON				
	SW3-6 2-zone valve ON/OFF control	Inactive	Active	OFF				
	SW3-7	—	—	OFF				
	SW3-8 Heat meter	WITHOUT Heat meter	WITH Heat meter	OFF				
SW4	SW4-1 Multiple outdoor units control	Inactive	Active	OFF				
	SW4-2 Position of multiple outdoor units control *5	Sub	Main	OFF				
	SW4-3	—	—	OFF				
	SW4-4 Indoor unit only operation (during installation work) *6	Inactive	Active	OFF				
	SW4-5 Emergency mode (Heater only operation)	Normal	Emergency mode (Heater only operation)	OFF *7				
	SW4-6 Emergency mode (Boiler operation)	Normal	Emergency mode (Boiler operation)	OFF *7				
SW5	SW5-1 DHW tank water temperature over heat protection (L4)	Active	Inactive *8	OFF				
	SW5-2 Advanced auto adaptation	Inactive	Active	ON				
	SW5-3	Capacity code	SW5-3	SW5-4	SW5-5	SW5-6	SW5-7	
	SW5-4		E*SC-*M**D	ON	ON	ON	ON	OFF
	SW5-5		E*SD-*M**D	ON	OFF	OFF	ON	OFF
	SW5-6		E*SE-*M*ED	OFF	ON	ON	OFF	ON
	SW5-7		E*PX-*M**D	OFF	OFF	OFF	OFF	OFF
	SW5-8	—	—	—	—	—	—	OFF
SW6	SW6-1	—	—	—	—	—	OFF	
	SW6-2	—	—	—	—	—	OFF	
	SW6-3 Pressure sensor	Inactive	—	—	Active	—	OFF: Except E*SD-*M**D ON : E*SD-*M**D	
	SW6-4 Analog output signal (0 to 10V)	Inactive	—	—	Active	—	OFF	
	SW6-5	—	—	—	—	—	OFF	

- Notes: *1. When the hydrobox is connected with a PUMY-P and PXZ outdoor unit of which maximum outlet water temperature is 55°C, DIP SW1-2 must be changed to OFF.
 *2. OUT11 will be available. For safety reasons, this function is not available for certain errors. (In that case, system operation must be stopped and only the water circulation pump keeps running.)
 *3 This switch functions only when the hydrobox is connected with a PUHZ-FRP outdoor unit. When another type of outdoor unit is connected, the heating mode function is active regardless of the fact that this switch is ON or OFF.
 *4. Space heating and DHW can be operated only in indoor unit, like an electric heater. (Refer to “5.4.4 Indoor unit only operation”.)
 *5. If emergency mode is no longer required, return the switch to OFF position.
 *6. Active only when SW3-6 is set to OFF.
 *7. Active only when SW4-1 is set to ON.
 *8. Please make sure to have necessary overheat protection on locally supplied solar thermal system side to secure safety, as the tank temperature could be much higher (than current).

5 Hydrobox

5.4. Field wiring

5.4.1 Electrical Connection

All electrical work should be carried out by a suitably qualified technician. Failure to comply with this could lead to electrocution, fire, and death. It will also invalidate product warranty. All wiring should be according to national wiring regulations.

Breaker abbreviation	Meaning
ECB1	Earth leakage circuit breaker for booster heater
TB1	Terminal block 1

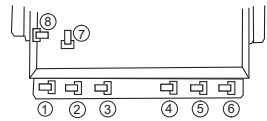
The hydrobox can be powered in two ways.

1. Power cable is run from the outdoor unit to the hydrobox.
2. Hydrobox has independent power source.

Connections should be made to the terminals indicated in the figures to the left below depending on the phase.

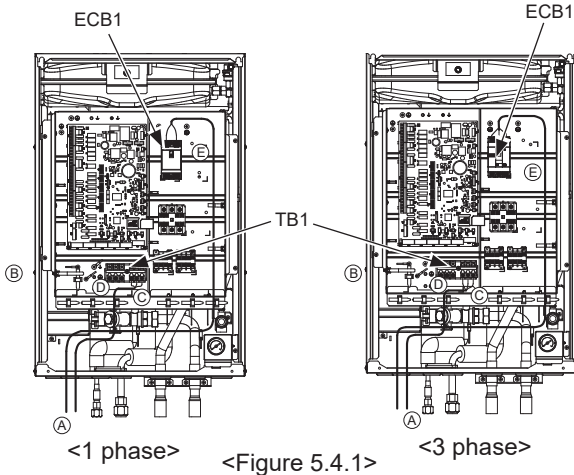
Booster heater and immersion heater should be connected independently from one another to dedicated power supplies.

- Ⓐ Locally supplied wiring should be inserted through the inlets situated on the base of the hydrobox. (Refer to <Table 5.1.1>.)
- Ⓑ Wiring should be fed down the left hand side of the control and electrical box and clamped in place using clips provided.
- Ⓒ The wires should be fixed with the cable straps as below.
 - ② Output wires
 - ③ Indoor-Outdoor wire
 - ⑥ Power line (B.H.)
 - ⑦ Signal input wires/ Wireless receiver (option) wire (PAR-WR51R-E)
- Ⓓ Connect the outdoor unit – hydrobox connecting cable to TB1.
- Ⓔ Connect the power cable for the booster heater to ECB1.



• Make sure that ECB1 is ON.

Cylinder unit
Hydrobox/GSHP/WTW



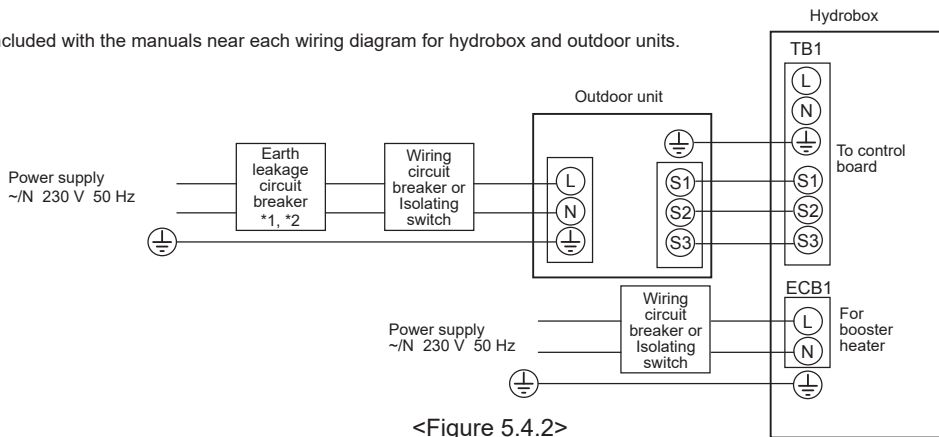
Option 1: Hydrobox powered via outdoor unit

PXZ model is not available.

The model is Hydrobox powered by independent source ONLY.

<1 phase>

Affix label A that is included with the manuals near each wiring diagram for hydrobox and outdoor units.



<Figure 5.4.2>
Electrical connections 1 phase

Description	Power supply	Capacity	Breaker	Wiring
Booster heater	~N 230 V 50 Hz	2 kW	16 A *2	2.5 mm ²
		6 kW	32 A *2	6.0 mm ²

<E*SD/E*SC/E*PX series>

<E*SE series>

Wiring No. × size (mm ²)	Hydrobox - Outdoor unit	3 × 1.5 (polar) *3	3 × 4 (polar) *4
		Hydrobox - Outdoor unit earth	1 × Min. 1.5 *3
Circuit rating	Hydrobox - Outdoor unit S1 - S2 *6	230 V AC	230 V AC
	Hydrobox - Outdoor unit S2 - S3 *6	24 V DC	24 V DC

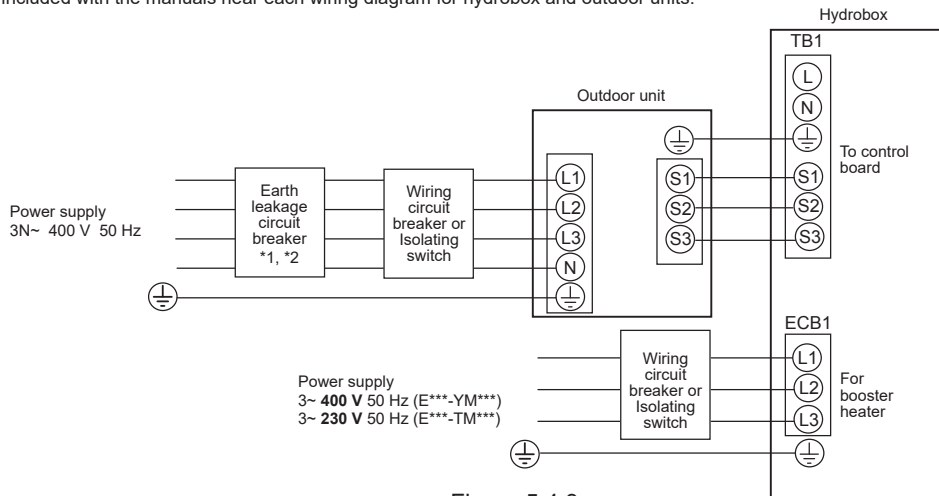
- *1. If the installed earth leakage circuit breaker does not have an over-current protection function, install a breaker with that function along the same power line.
- *2. A breaker with at least 3.0 mm contact separation in each pole shall be provided. Use earth leakage breaker (NV). The breaker shall be provided to ensure disconnection of all active phase conductors of the supply.
- *3. Max. 45 m
If 2.5 mm² used, Max. 50 m
If 2.5 mm² used and S3 separated, Max. 80 m
- *4. Max. 50 m
If 6 mm² used, Max. 80 m
- *5. If S3 separated, Max. 80 m
- *6. The values given in the table above are not always measured against the ground value.

- Notes:
1. Wiring size must comply with the applicable local and national codes.
 2. Indoor unit/outdoor unit connecting cords shall not be lighter than polychloroprene sheathed flexible cord. (Design 60245 IEC 57)
Indoor unit power supply cords shall not be lighter than polychloroprene sheathed flexible cord. (Design 60227 IEC 53)
 3. Install an earth longer than other cables.
 4. Please keep enough output capacity of power supply for each heater. Insufficient power supply capacity might cause chattering.

5 Hydrobox

<3 phase>

Affix label A that is included with the manuals near each wiring diagram for hydrobox and outdoor units.



<Figure 5.4.3>
Electrical connections 3 phase

Description	Power supply	Capacity	Breaker	Wiring
Booster heater	3~ 400 V 50 Hz	9 kW	16 A *2	2.5 mm ²
	3~ 230 V 50 Hz	9 kW	32 A *2	6.0 mm ²

<E*SD/E*SC/E*PX series>

<E*SE series>

Wiring No. × size (mm ²)	Hydrobox - Outdoor unit	3 × 1.5 (polar) *3	3 × 4 (polar) *4
	Hydrobox - Outdoor unit earth	1 × Min. 1.5 *3	1 × Min. 2.5 *5
Circuit rating	Hydrobox - Outdoor unit S1 - S2 *6	230 V AC	230 V AC
	Hydrobox - Outdoor unit S2 - S3 *6	24 V DC	24 V DC

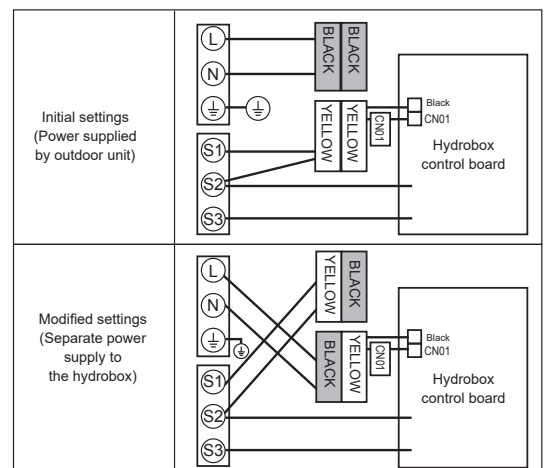
- *1. If the installed earth leakage circuit breaker does not have an over-current protection function, install a breaker with that function along the same power line.
- *2. A breaker with at least 3.0 mm contact separation in each pole shall be provided. Use earth leakage breaker (NV).
The breaker shall be provided to ensure disconnection of all active phase conductors of the supply.
- *3. Max. 45 m
If 2.5 mm² used, Max. 50 m
If 2.5 mm² used and S3 separated, Max. 80 m
- *4. Max. 50 m
If 6 mm² used, Max. 80 m
- *5. If S3 separated, Max. 80 m
- *6. The values given in the table above are not always measured against the ground value.

- Notes:**
1. Wiring size must comply with the applicable local and national codes.
 2. Indoor unit/outdoor unit connecting cords shall not be lighter than polychloroprene sheathed flexible cord. (Design 60245 IEC 57)
Indoor unit power supply cords shall not be lighter than polychloroprene sheathed flexible cord. (Design 60227 IEC 53)
 3. Install an earth line longer than power cables.
 4. Please keep enough output capacity of power supply for each heater. Insufficient power supply capacity might cause chattering.

■ Option 2: Hydrobox powered by independent source

If the hydrobox and outdoor units have separate power supplies, the following requirements MUST be carried out:

- Change connector connections in hydrobox control and electrical box (see Figure 2.3).
 - Turn the outdoor unit DIP switch SW8-3 to ON.
 - Turn on the outdoor unit BEFORE the hydrobox.
 - Power by independent source is not available for particular models of outdoor unit model.
- For more detail, refer to the connecting outdoor unit installation manual.

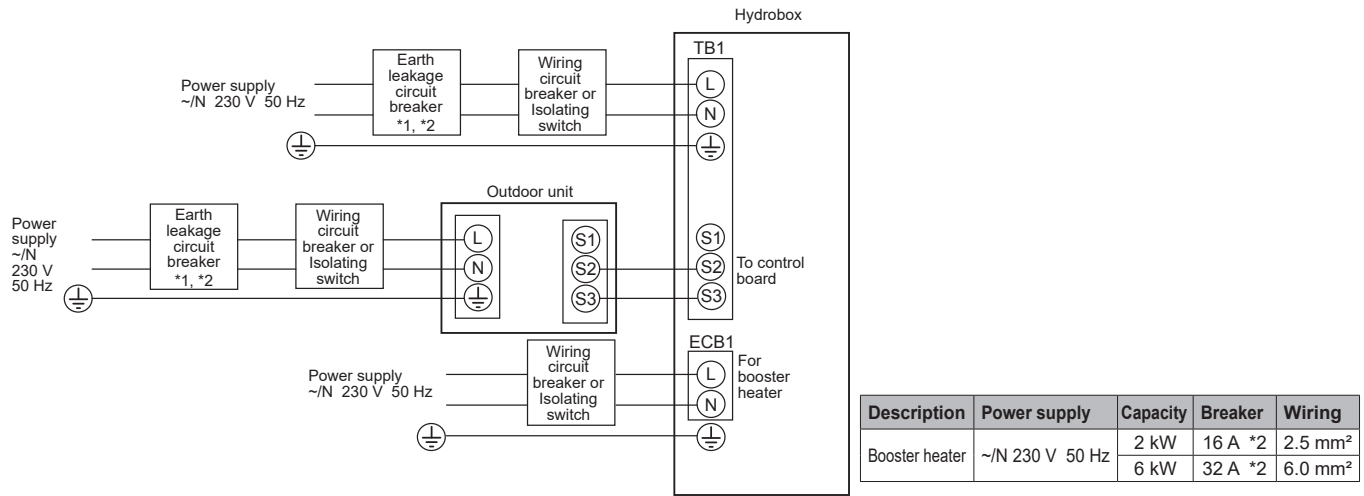


<Figure 5.4.4>

5 Hydrobox

<1 phase>

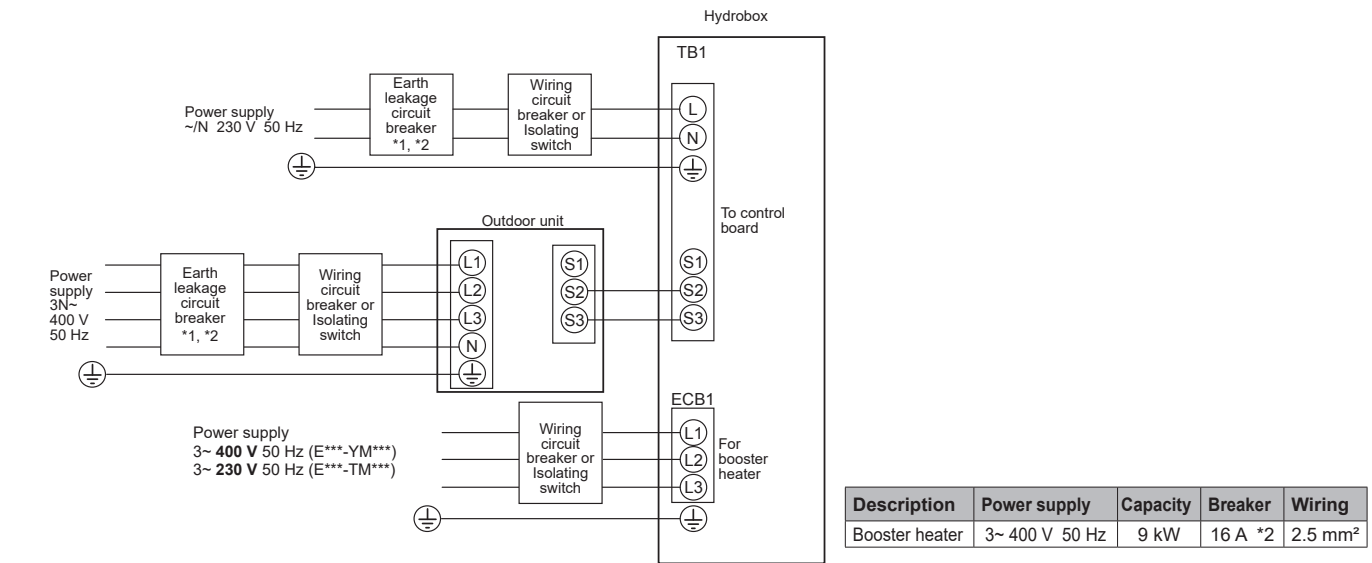
Affix label B that is included with the manuals near each wiring diagram for hydrobox and outdoor units.



<Figure 5.4.5>
Electrical connections 1 phase

<3 phase>

Affix label B that is included with the manuals near each wiring diagram for hydrobox and outdoor units.



<Figure 5.4.6>
Electrical connections 3 phase

Hydrobox power supply		~N 230 V 50 Hz
Hydrobox input capacity Main switch (Breaker)		*2 16 A
Wiring Wiring No. x size (mm ²)	Hydrobox power supply	2 x Min. 1.5
	Hydrobox power supply earth	1 x Min. 1.5
	Hydrobox - Outdoor unit	*3 2 x Min. 0.3
	Hydrobox - Outdoor unit earth	—
Circuit rating	Hydrobox L - N	*4 230 V AC
	Hydrobox - Outdoor unit S1 - S2	*4 —
	Hydrobox - Outdoor unit S2 - S3	*4 24 V DC

Notes: 1. Wiring size must comply with the applicable local and national codes.

2. Indoor unit/outdoor unit connecting cords shall not be lighter than polychloroprene sheathed flexible cord. (Design 60245 IEC 57)
Indoor unit power supply cords shall not be lighter than polychloroprene sheathed flexible cord. (Design 60227 IEC 53)

3. Install an earth line longer than power cables.

4. Please keep enough output capacity of power supply for each heater. Insufficient power supply capacity might cause chattering.

*1. If the installed earth leakage circuit breaker does not have an over-current protection function, install a breaker with that function along the same power line.

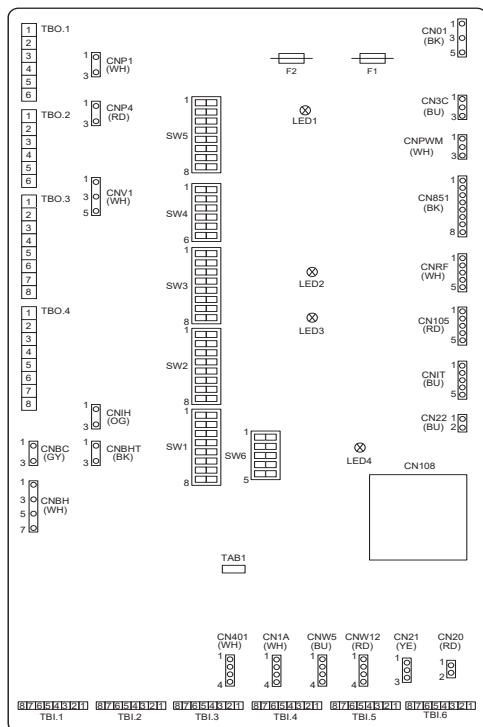
*2. A breaker with at least 3.0 mm contact separation in each pole shall be provided. Use earth leakage breaker (NV).
The breaker shall be provided to ensure disconnection of all active phase conductors of the supply.

*3. Max. 120 m

*4. The values given in the table above are not always measured against the ground value.

5 Hydrobox

5.4.2 Connecting inputs/outputs



<Figure 5.4.7>

Wiring specification and local supply parts

Item	Name	Model and specifications
Signal input function	Signal input wire	Use sheathed vinyl coated cord or cable. Max. 30 m Wire type: CV, CVS or equivalent Wire size: Stranded wire 0.13 mm ² to 0.52 mm ² Solid wire: ø0.4 mm to ø0.8 mm
	Switch	Non-voltage "a" contact signals Remote switch: minimum applicable load 12 V DC, 1 mA

Note:

Stranded wire should be processed with insulation-covered bar terminal (DIN46228-4 standard compatible type).

Signal inputs

Name	Terminal block	Connector	Item	OFF (Open)	ON (Short)
IN1	TBI.1 7-8	—	Room thermostat 1 input *1	Refer to SW2-1 in <5.3 DIP Switch Functions>.	
IN2	TBI.1 5-6	—	Flow switch 1 input	Refer to SW2-2 in <5.3 DIP Switch Functions>.	
IN3	TBI.1 3-4	—	Flow switch 2 input (Zone1)	Refer to SW3-2 in <5.3 DIP Switch Functions>.	
IN4	TBI.1 1-2	—	Demand control input	Normal	Heat source OFF/ Boiler operation *3
IN5	TBI.2 7-8	—	Outdoor thermostat input *2	Standard operation	Heater operation/ Boiler operation *3
IN6	TBI.2 5-6	—	Room thermostat 2 input *1	Refer to SW3-1 in <5.3 DIP Switch Functions>.	
IN7	TBI.2 3-4	—	Flow switch 3 input (Zone2)	Refer to SW3-2 in <5.3 DIP Switch Functions>.	
IN8	TBI.3 7-8	—	Electric energy meter 1	*4	
IN9	TBI.3 5-6	—	Electric energy meter 2		
IN10	TBI.2 1-2	—	Heat meter	*5	
IN11	TBI.3 3-4	—	Smart grid ready input		
IN12	TBI.3 1-2	—			
INA1	TBI.4 1-3	CN1A	Flow sensor	—	—

*1. Set the ON/OFF cycle time of the room thermostat for 10 minutes or more; otherwise the compressor may be damaged.

*2. If using outdoor thermostat for controlling operation of heaters, the lifetime of the heaters and related parts may be reduced.

*3. To turn on the boiler operation, use the main remote controller to select "Boiler" in "External input setting" screen in the service menu.

*4. Connectable electric energy meter and heat meter

- Pulse type Voltage free contact for 12 V DC detection by FTC (TBI.2 1 pin, TBI.3 5 and 7 pins have a positive voltage.)
- Pulse duration Minimum ON time: 40 ms
Minimum OFF time: 100 ms
- Possible unit of pulse 0.1 pulse/kWh 1 pulse/kWh 10 pulse/kWh
100 pulse/kWh 1000 pulse/kWh

Those values can be set by the main remote controller. (Refer to the menu tree in "Main remote controller".)

*5. As for the smart grid ready, refer to section 5.7.

Thermistor inputs

Name	Terminal block	Connector	Item	Optional part model
TH1	—	CN20	Thermistor (Room temp.) (Option)	PAC-SE41TS-E
TH2	—	CN21	Thermistor (Ref. liquid temp.)	—
THW1	—	CNW12 1-2	Thermistor (Flow water temp.)	—
THW2	—	CNW12 3-4	Thermistor (Return water temp.)	—
THW5B	—	CNW5 3-4	Thermistor (DHW tank water temp.) (Option) *1	PAC-TH011TK2-E(5 m)/ PAC-TH011TKL2-E(30 m)
THW6	TBI.5 7-8	—	Thermistor (Zone1 flow water temp.) (Option) *1	PAC-TH011-E
THW7	TBI.5 5-6	—	Thermistor (Zone1 return water temp.) (Option) *1	—
THW8	TBI.5 3-4	—	Thermistor (Zone2 flow water temp.) (Option) *1	PAC-TH011-E
THW9	TBI.5 1-2	—	Thermistor (Zone2 return water temp.) (Option) *1	—
THW10	TBI.6 5-6	—	Thermistor (Mixing tank water temp.)(Option) *1	—
THWB1	TBI.6 7-8	—	Thermistor (Boiler flow water temp.) (Option) *1	PAC-TH012HT-E(5 m)/ PAC-TH012HTL-E(30 m)

Ensure to wire thermistor wirings away from the power line and/or OUT1 to 16 wirings.

*1. The maximum length of the thermistor wiring is 30 m. When the wires are wired to adjacent terminals, use ring terminals and insulate the wires. The length of the optional thermistors are 5 m. If you need to splice and extend the wirings, following points must be carried out.

- 1) Connect the wirings by soldering.
- 2) Insulate each connecting point against dust and water.

5 Hydrobox

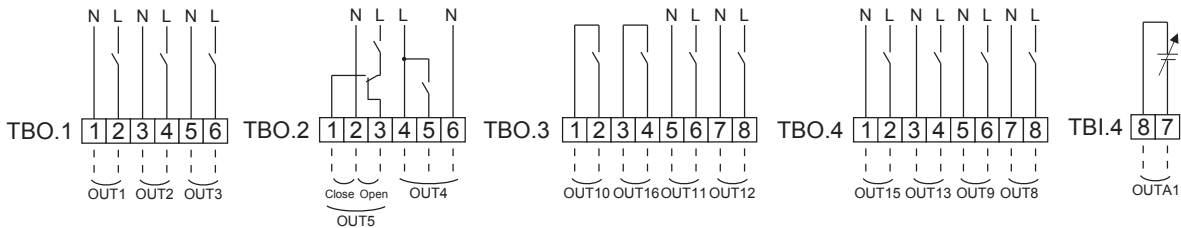
■ Outputs

Name	Terminal block	Connector	Item	OFF	ON	Signal/Max. current	Max. total current
OUT1	TBO.1 1-2	CNP1	Water circulation pump 1 output (Space heating/cooling & DHW)	OFF	ON	230 V AC 1.0 A Max. (Inrush current 40 A Max.)	4.0 A (a)
OUT2	TBO.1 3-4	—	Water circulation pump 2 output (Space heating/cooling for Zone1)	OFF	ON	230 V AC 1.0 A Max. (Inrush current 40 A Max.)	
OUT3	TBO.1 5-6	—	Water circulation pump 3 output (Space heating/cooling for Zone2) *1 2-way valve 2b output *2	OFF	ON	230 V AC 1.0 A Max. (Inrush current 40 A Max.)	
OUT14	—	CNP4	Water circulation pump 4 output (DHW)	OFF	ON	230 V AC 1.0 A Max. (Inrush current 40 A Max.)	
OUT4	TBO.2 4-6	CNV1	3-way valve (2-way valve 1) output	Heating	DHW	230 V AC 0.1 A Max.	3.0 A (b)
	—	CN851	3-way valve output				
OUT5	TBO.2 1-2 TBO.2 2-3	—	Mixing valve output *1	Stop	Close Open	230 V AC 0.1 A Max.	
OUT6	—	CNBH 1-3	Booster heater 1 output	OFF	ON	230 V AC 0.5 A Max. (Relay)	
OUT7	—	CNBH 5-7	Booster heater 2 output	OFF	ON	230 V AC 0.5 A Max. (Relay)	
OUT8	TBO.4 7-8	—	Cooling signal output	OFF	ON	230 V AC 0.5 A Max.	
OUT9	TBO.4 5-6	CNIH	Immersion heater output	OFF	ON	230 V AC 0.5 A Max. (Relay)	
OUT11	TBO.3 5-6	—	Error output	Normal	Error	230 V AC 0.5 A Max.	
OUT12	TBO.3 7-8	—	Defrost output	Normal	Defrost	230 V AC 0.5 A Max.	
OUT13	TBO.4 3-4	—	2-way valve 2a output *2	OFF	ON	230 V AC 0.1 A Max.	
OUT15	TBO.4 1-2	—	Comp ON signal	OFF	ON	230 V AC 0.5 A Max.	
OUT10	TBO.3 1-2	—	Boiler output	OFF	ON	non-voltage contact · 220-240 V AC (30 V DC) · 0.5 A or less · 10 mA 5 V DC or more	—
OUT16	TBO.3 3-4	—	Heating/Cooling thermo ON signal	OFF	ON		—
OUTA1	TBI.4 7-8	—	Analog output	0 V-10 V		0-10 V DC 5 mA max.	—

Do not connect to the terminals that are indicated as “—” in the “Terminal block” field.

*1 For 2-zone temperature control.

*2 For 2-zone valve ON/OFF control.



Wiring specification and local supply parts

Item	Name	Model and specifications
External output function	Outputs wire	Use sheathed vinyl coated cord or cable. Max. 30 m Wire type: CV, CVS or equivalent Wire size: Stranded wire 0.25 mm ² to 1.5 mm ² Solid wire: 0.25 mm ² to 1.5 mm ²

Note:

- When the hydrobox is powered via outdoor unit, the maximum grand total current of (a)+(b) is 3.0 A.
- Do not connect multiple water circulation pumps directly to each output (OUT1, OUT2, and OUT3). In such a case, connect them via (a) relay(s).
- Do not connect water circulation pumps to both TBO.1 1-2 and CNP1 at the same time.
- Connect an appropriate surge absorber to OUT10 (TBO.3 1-2) depending on the load at site.
- Stranded wire should be processed with insulation-covered bar terminal (DIN46228-4 standard compatible type).
- Use the same thing as the Signal input wire for OUTA1 wiring.

5.4.3 Wiring for 2-zone temperature control

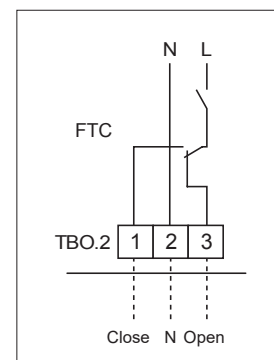
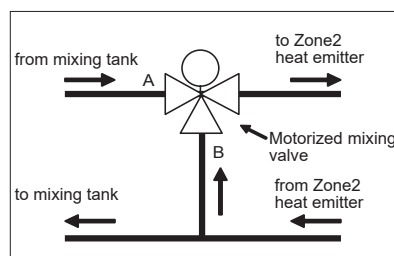
Connect the pipe work and locally supplied parts according to the relevant circuit diagram shown “5.5.3 Local system”.

<Mixing valve>

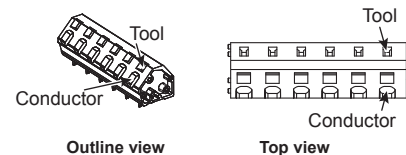
Connect the signal line to open Port A (hot water inlet port) to TBO. 2-3 (Open), the signal line to open Port B (cold water inlet port) to TBO. 2-1 (Close), and the neutral terminal wire to TBO. 2-2 (N).

<Thermistor>

- Do not install the thermistors on the mixing tank.
- Install the Zone2 flow temp. thermistor (THW8) near the mixing valve.
- The maximum length of the thermistor wiring is 30 m.
- The length of the optional thermistors are 5 m. If you need to splice and extend the wirings, following points must be carried out.
 - Connect the wirings by soldering.
 - Insulate each connecting point against dust and water.



How to use TBO.1 to 4



Connect them using either way as shown above.
<Figure 5.4.8>

5 Hydrobox

5.4.4 Indoor unit only operation (during installation work)

In the case when DHW or heating operation is required prior to connection of the outdoor unit; i.e. during installation work, an electric heater in indoor unit (*1) can be used.

*1 Model with electric heater only.

1. To start operation
 - Check if the indoor unit power supply is OFF, and turn DIP switch 4-4 and 4-5 ON.
 - Turn ON the indoor unit power supply.
 2. To end operation *2
 - Turn OFF the indoor unit power supply.
 - Turn DIP switch 4-4 and 4-5 OFF.
- *2 When the indoor unit only operation is ended, ensure to check over the settings after outdoor unit is connected.

Note:
Prolonged running of the this operation may affect the life of the electric heater.

5.4.5 Using SD memory card

The hydrobox is equipped with an SD memory card interface in FTC.
Using an SD memory card can simplify main remote controller settings and can store operating logs. *1

*1 To edit main remote controller settings or to check operating data, an Ecodan service tool (for use with PC) is required.

<Handling precautions>

- (1) Use an SD memory card that complies with the SD standards. Check that the SD memory card has a logo on it of those shown to the right.
- (2) SD memory cards to the SD standards include SD, SDHC, miniSD, micro SD, and microSDHC memory cards. The capacities are available up to 32 GB. Choose that with a maximum allowable temperature of 55°C.
- (3) When the SD memory card is a miniSD, miniSDHC, microSD, or micro SDHC memory card, use an SD memory card converter adapter.
- (4) Before writing to the SD memory card, release the write-protect switch.



- (5) Before inserting or ejecting an SD memory card, make sure to power off the system. If an SD memory card is inserted or ejected with the system powered on, the stored data could be corrupted or the SD memory card be damaged. *An SD memory card is live for a short duration after the system is powered off. Before insertion or ejection wait until the LED lamps on the FTC control board are all off.
- (6) The read and write operations have been verified using the following SD memory cards, however, these operations are not always guaranteed as the specifications of these SD memory cards could change.

Manufacturer	Model	Tested in
Verbatim	#44015	Mar. 2012
SanDisk	SDSDB-002G-B35	Oct. 2011
Panasonic	RP-SDP04GE1K	Oct. 2011
Arvato	2GB PS8032 TSB 24nm MLC	Jun. 2012
Arvato	2GB PS8035 TSB A19nm MLC	Jul. 2014
SanDisk	SDSDUN-008G-G46	Oct. 2016
Verbatim	#43961	Oct. 2016
Verbatim	#44018	Oct. 2016
VANTASTEK	VSDHC08	Sep. 2017
RiTEK	RiDATA 8GB SDHC	Aug. 2021

Before using a new SD memory card (including the card that comes with the unit), always check that the SD memory card can be safely read and written to by the FTC controller.

<How to check read and write operations>

- a) Check for correct wiring of power supply to the system. For more details, refer to section 5.4.1.
(Do not power on the system at this point.)
- b) Insert an SD memory card.
- c) Power on the system.
- d) The LED4 lamp lights if the read and write operations are successfully completed. If the LED4 lamp continues blinking or does not light, the SD memory card cannot be read or written to by the FTC controller.

- (7) Make sure to follow the instruction and the requirement of the SD memory card's manufacturer.
- (8) Format the SD memory card if determined unreadable in step (6). This could make it readable.
Download an SD card formatter from the following site.
SD Association homepage: <https://www.sdcard.org/home/>
- (9) FTC supports FAT file system but not NTFS file system.
- (10) Mitsubishi Electric is not liable for any damages, in whole or in part, including failure of writing to an SD memory card, and corruption and loss of the saved data, or the like. Back up saved data as necessary.
- (11) Do not touch any electronic parts on the FTC control board when inserting or ejecting an SD memory card, or else the control board could fail.

Logos		
Capacities		
2 GB to 32 GB *2		
SD speed classes		
All		

- The SD Logo is a trademark of SD-3C, LLC.
- The miniSD logo is a trademark of SD-3C, LLC.
- The microSD logo is a trademark of SD-3C, LLC.

*2 A 2-GB SD memory card stores up to 30 days of operation logs.

5.4.6 DHW tank for Hydrobox

■ Installation procedure for DHW tank

- Notes:
- Be aware that the respective DHW operations are greatly effected by the selections of the components such as tank, immersion heater, or the like.
 - Follow your local regulations to perform system configuration.

1. To enable switching of the water circulation circuit between the DHW mode and the heating mode, install a 3-way valve (local supply).
The use of two 2-way valves can perform the same function as a 3-way valve.
2. Install the optional thermistor THW5B (optional part PAC-TH011TK2-E/PAC-TH011TKL2-E) on the DHW tank.
It is recommended to position the thermistor at the mid point of the DHW tank capacity. Insulate thermistor from ambient air. Especially for double (insulated) tank, thermistor should be attached to the inner side (to detect the water temperature).
3. Connect the thermistor lead to the CNW5 connector on the FTC. If the thermistor lead is too long bundle it with a strap to adjust the length.
4. The output terminals for the 3-way valve is TBO.2 5-6 (OUT4).
Choose the terminals that the 3-way valve is connected to between TBO.2 5-6, or TBO.2 4-6, according to the rated voltage.
When the rated current of the 3-way valve exceeds 0.1A, be sure to use a relay with maximum voltage and current ratings of 230 V AC / 0.1 A when connecting to the FTC. Do not directly connect the 3-way valve cable to the FTC. Connect the relay cable to the TBO.2 5-6 terminals.
3-way valve must be of SPST type. SPDT type can NOT be used. For systems using 2-way valves instead of a 3-way valve please read the following;

	Installation position	Electrical connection terminal block	Output signal		
			Heating	DHW	System OFF
2-way valve1	DHW	TBO.2 5-6	OFF (closed)	ON (open)	OFF (closed)
2-way valve2	Heating	TBO.4 3-4	ON (open)	OFF (closed)	OFF (closed)

- Notes:
- Should the 2-way valve become blocked the water circulation will stop. A bypass valve or circuit should be installed between pump and 2-way valve for safety.
 - The TBO.4 3-4 terminals on the FTC are shown in the wiring diagram.
 - The 2-way valve (local supply) should be installed according to the instructions supplied with it. Follow 2-way valve's manufacturer's instructions as to whether to connect an earth cable or not.
 - For the 2-way valve, choose the one that slowly opens and shuts off to prevent water hammer sound.
 - Choose the 2-way valve equipped with manual override, which is necessary for topping up or draining of water.

5. Turn the DIP SW1-3 on the FTC to ON.
6. When using an immersion heater (local supply), connect a contact relay cable for the immersion heater to TBO.4 5-6 (OUT9), and turn the DIP SW1-4 to ON. Do NOT directly connect the power cable to the FTC.

- Notes:
- When an immersion heater is installed, select appropriate breaker capacity and a cable with appropriate diameter on the basis of heater output.
 - When wiring an immersion heater in the field, always install an earth leakage breaker to prevent accidental electric shock.

Specification of 2-way valve (local supply)

- Power supply: 230 V AC
- Current: 0.1 A Max. (If over 0.1 A you must use a relay)
- Type: Normally closed

⚠ WARNING: When connecting DHW tank

- (1) Attach the optional thermistor THW5B (PAC-TH011TK2-E/PAC-TH011TKL2-E).
- (2) Always use earth leakage breaker when connecting immersion heater.
- (3) When installing an immersion heater, be sure that the immersion heater has a built-in direct cut-off thermostat.
- (4) Connect a pressure relief valve on the sanitary water side.
- (5) It is essential that no check valve or isolating valve is fitted between the hydrobox and the pressure relief valve.

Recommended DHW system

Where system involves a DHW tank:

DHW tank	Immersion heater	Booster heater	BH function	System diagram	Thermistor
Present	Absent	Present	For space heating/cooling and DHW		THW1: Flow water temp. THW2: Return water temp. THW5B: Tank water temp. (optional part PAC-TH011TK2-E/PAC-TH011TKL2-E)
Present	Present	Present	For space heating/cooling and DHW		THW1: Flow water temp. THW2: Return water temp. THW5B: Tank water temp. (optional part PAC-TH011TK2-E/PAC-TH011TKL2-E)

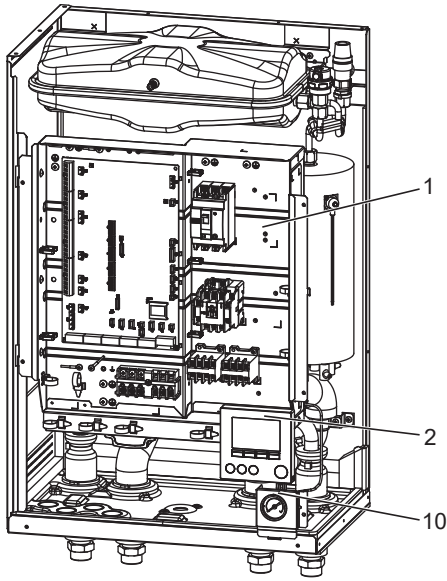
*The use of two 2-way valves can perform same function as a 3-way valve.

5 Hydrobox

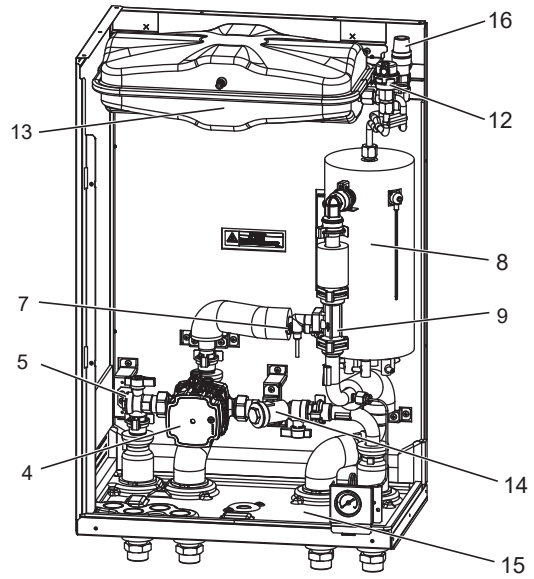
5.5. Water circuit diagrams

5.5.1 Component Parts

<E*PX-*M**D> (Packaged model system)

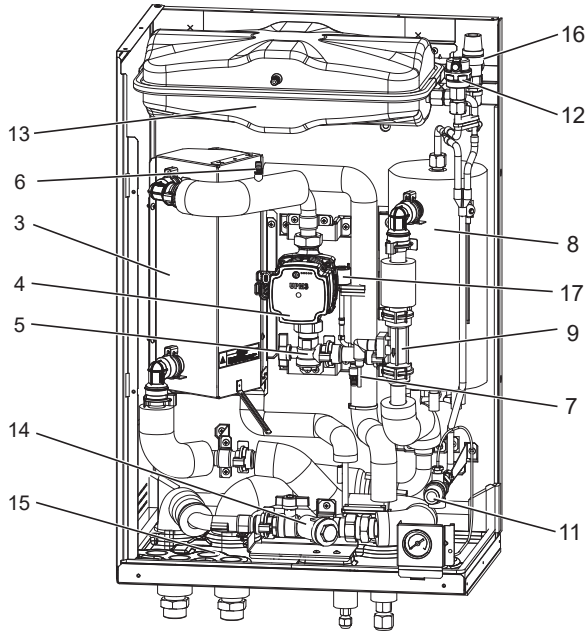


<Figure 5.5.1>



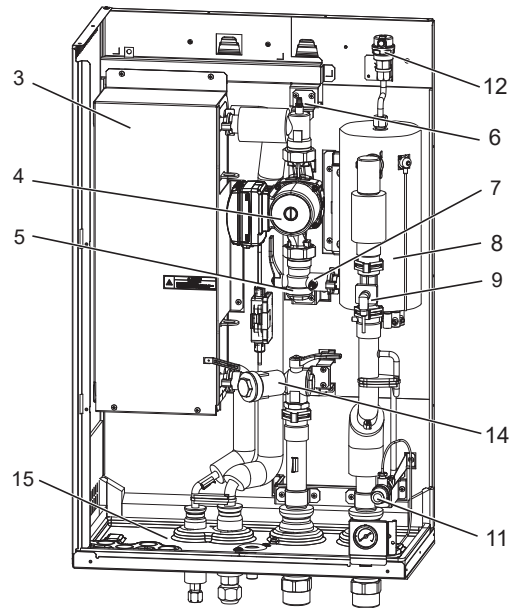
<Figure 5.5.2>

<E*S*-*M**D> (Split model system)



<Figure 5.5.3>

<E*SE-*M*ED> (Split model system)



<Figure 5.5.4>

No.	Part name	EHPX-M*(E)D	ERPXM-D	ERPXM*D	EHS*-MED	EHS*-*M*D	EHS*-YM9ED	ERS*-*M*(E)D	ERS*-MED
1	Control and electrical box	✓	✓	✓	✓	✓	✓	✓	✓
2	Main remote controller	✓	✓	✓	✓	✓	✓	✓	✓
3	Plate heat exchanger (Refrigerant - Water)	-	-	-	✓	✓	✓	✓	✓
4	Water circulation pump 1	✓	✓	✓	✓	✓	✓	✓	✓
5	Pump valve	✓	✓	✓	✓	✓	✓	✓	✓
6	Air vent (manual)	-	-	-	✓	✓	✓	✓	✓
7	Drain cock (Primary circuit)	✓	✓	✓	✓	✓	✓	✓	✓
8	Booster heater 1,2	✓	-	✓	-	✓	✓	✓	-
9	Flow sensor	✓	✓	✓	✓	✓	✓	✓	✓
10	Manometer	✓	✓	✓	✓	✓	✓	✓	✓
11	Pressure relief valve (3 bar)	-	-	-	✓	✓	✓	✓	✓
12	Automatic air vent	✓	✓	✓	✓	✓	✓	✓	✓
13	Expansion vessel	✓*1	✓	✓	-	✓	-	✓*2	-
14	Strainer valve	✓	✓	✓	✓	✓	✓	✓	✓
15	Drain pan	-	✓	✓	-	-	-	✓	✓
16	Pressure relief valve (5 bar)	✓*1	✓	✓	-	✓	-	✓*2	-
17	Pressure sensor	-	-	-	✓*3	✓*3	✓*3	✓*3	✓*3

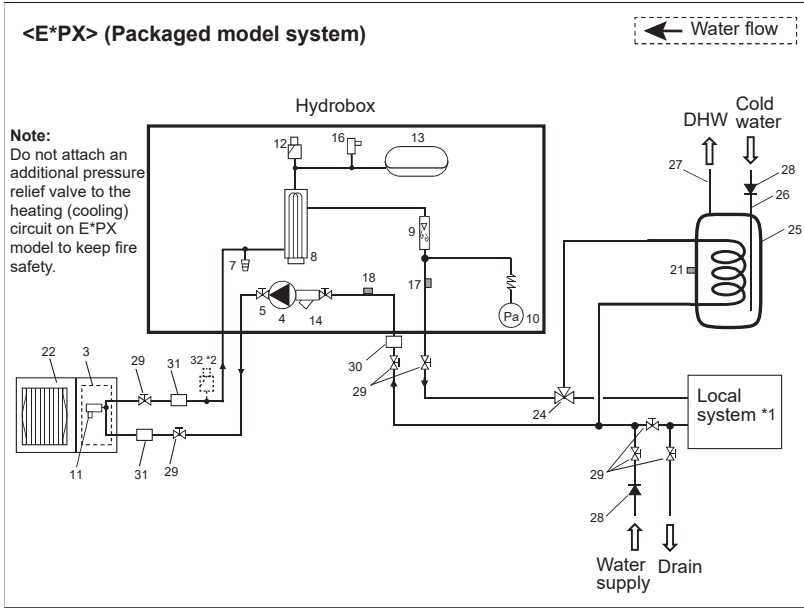
Note:
For installation of all E***-M*ED models, make sure to install a suitably sized primary-side expansion vessel. (See figure 5.5.1 ~ 5.5.6 and 5.6.17 for further guidance)

*1 EHPX-YM9ED and EHPX-MED are not included.
*2 ERSE-YM9ED is not included.
*3 Only 2HP (E*SD) model.

<Table 5.5.1>

5 Hydrobox

5.5.2 Circuit diagram



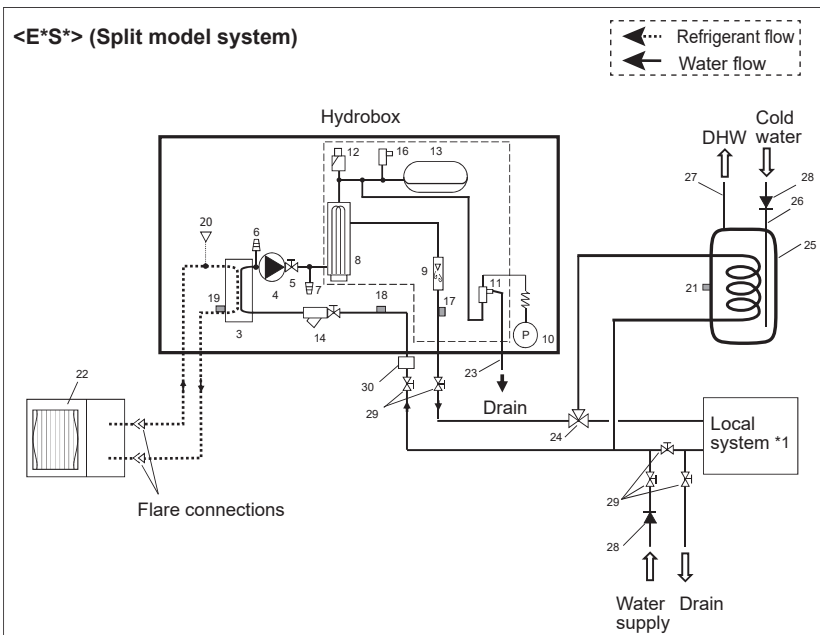
<Figure 5.5.5>

No.	Part name	EHPX-M(E)D	ERPX-MD	ERPX-M'D	EHS-MED	EHS-M'D	EHS-YM8ED	ERS-M'(E)D	ERS-MED
1	Control and electrical box	✓	✓	✓	✓	✓	✓	✓	✓
2	Main remote controller	✓	✓	✓	✓	✓	✓	✓	✓
3	Plate heat exchanger (Refrigerant - Water)	-	-	-	✓	✓	✓	✓	✓
4	Water circulation pump 1	✓	✓	✓	✓	✓	✓	✓	✓
5	Pump valve	✓	✓	✓	✓	✓	✓	✓	✓
6	Air vent (manual)	-	-	-	✓	✓	✓	✓	✓
7	Drain cock (Primary circuit)	✓	-	✓	✓	✓	✓	✓	✓
8	Booster heater 1, 2	✓	-	✓	-	✓	✓	✓	-
9	Flow sensor	✓	✓	✓	✓	✓	✓	✓	✓
10	Manometer	✓	✓	✓	✓	✓	✓	✓	✓
11	Pressure relief valve (3 bar)	-	-	-	✓	✓	✓	✓	✓
12	Automatic air vent	✓	✓	✓	✓	✓	✓	✓	✓
13	Expansion vessel	✓*3	✓	✓	-	✓	-	✓*4	-
14	Strainer valve	✓	✓	✓	✓	✓	✓	✓	✓
15	Drain pan	-	✓	✓	-	✓	-	✓	✓
16	Pressure relief valve (5 bar)	✓*3	✓	✓	-	✓	-	✓*4	-
17	THW1	✓	✓	✓	✓	✓	✓	✓	✓
18	THW2	✓	✓	✓	✓	✓	✓	✓	✓
19	TH2	-	-	-	✓	✓	✓	✓	✓
20	Pressure sensor	-	-	-	✓*5	✓*5	✓*5	✓*5	✓*5
21	THW5B (Optional part PAC-TH011TK2-E or PAC-TH011TKL2-E)	-	-	-	-	-	-	-	-
22	Outdoor unit	-	-	-	-	-	-	-	-
23	Drain pipe (Local supply)	-	-	-	-	-	-	-	-
24	3-way valve (Local supply)	-	-	-	-	-	-	-	-
25	DHW indirect unvented tank (Local supply)	-	-	-	-	-	-	-	-
26	Cold water inlet pipe (Local supply)	-	-	-	-	-	-	-	-
27	DHW outlet pipe (Local supply)	-	-	-	-	-	-	-	-
28	Back flow prevention device (Local supply)	-	-	-	-	-	-	-	-
29	Isolating valve (Local supply)	-	-	-	-	-	-	-	-
30	Magnetic filter (Local supply) (Recommended)	-	-	-	-	-	-	-	-
31	Strainer (Local supply)	-	-	-	-	-	-	-	-
32	Air vent (Local supply)	-	-	-	-	-	-	-	-

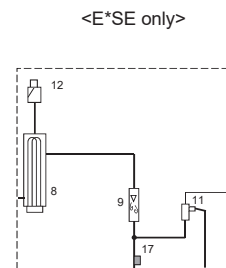
<Table 5.5.2>

- *1 Refer to the following section [Local system].
- *2 If the outdoor unit is higher than the indoor unit, or if there is a location where air gets trapped in the upper part of the water pipe, consider adding this part.
- *3 EHPX-YM9ED and EHPX-MED are not included.
- *4 ERSE-YM9ED is not included.
- *5 Only 2HP(E*SD) model.

- Note**
- Be sure to follow your local regulations to perform system configuration of the DHW connections.
 - DHW connections are not included in the hydrobox package. All required parts are to be sourced locally.
 - To enable draining of the hydrobox an isolating valve should be positioned on both the inlet and outlet pipework.
 - Be sure to install a strainer on the inlet pipe work to the hydrobox.
 - Suitable drain pipework should be attached to the relief valves instructed to be connected to it in Figure 5.5.5 in accordance with your country's regulations.
 - A backflow prevention device must be installed on water supply pipework (IEC 61770).
 - When using components made from different metals or connecting pipes made of different metals insulate the joints to prevent a corrosive reaction taking place which will damage the pipework.



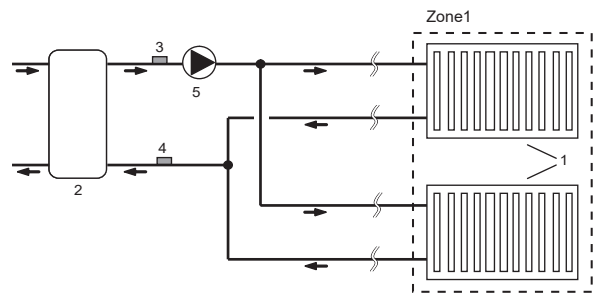
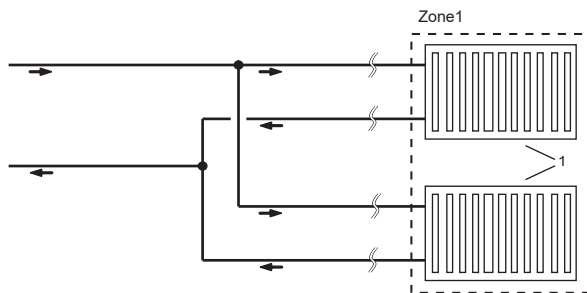
<Figure 5.5.6>



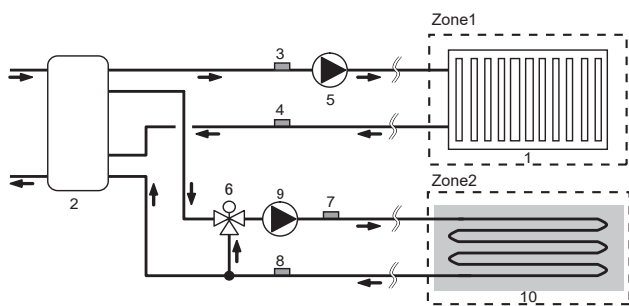
5 Hydrobox

5.5.3 Local system

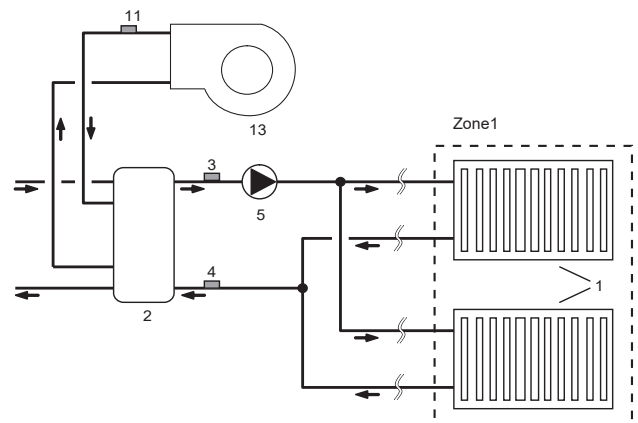
1-zone temperature control



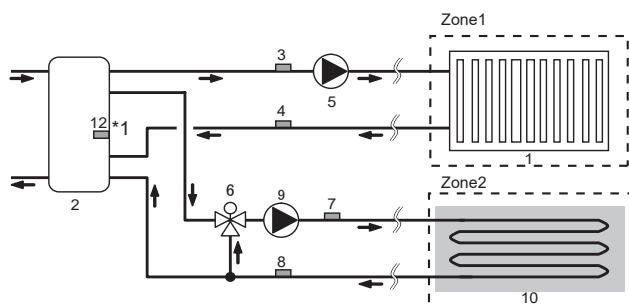
2-zone temperature control



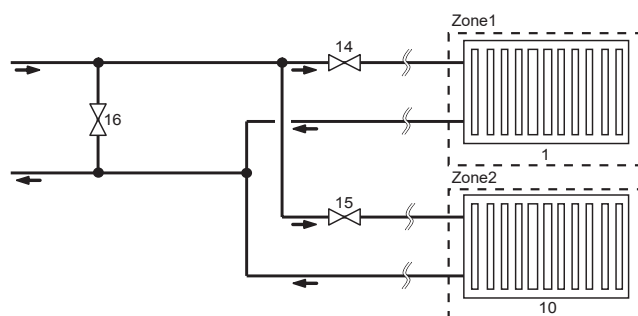
1-zone temperature control with boiler



2-zone temperature control & Buffer tank control



1-zone temperature control (2-zone valve ON/OFF control)



- 1. Zone1 heat emitters (e.g. radiator, fan coil unit) (local supply)
- 2. Mixing tank (local supply)
- 3. Zone1 flow water temp. thermistor (THW6)
- 4. Zone1 return water temp. thermistor (THW7) } Optional part : PAC-TH011-E
- 5. Zone1 water circulation pump (local supply)
- 6. Motorized mixing valve (local supply)
- 7. Zone2 flow water temp. thermistor (THW8)
- 8. Zone2 return water temp. thermistor (THW9) } Optional part : PAC-TH011-E
- 9. Zone2 water circulation pump (local supply)

- 10. Zone2 heat emitters (e.g. underfloor heating) (local supply)
- 11. Boiler flow water temp. thermistor (THWB1) } Optional part : PAC-TH012HT(L)-E
- 12. Mixing tank thermistor (THW10) *1
- 13. Boiler (local supply)
- 14. Zone1 2-way valve (local supply)
- 15. Zone2 2-way valve (local supply)
- 16. Bypass valve (local supply)

*1 ONLY Buffer tank control (heating/cooling) applies to "Smart grid ready".

5 Hydrobox

5.6. Installation

<Preparation before the installation and service>

- Prepare the proper tools.
- Prepare the proper protection.
- Allow parts to cool before attempting any maintenance.
- Provide adequate ventilation.
- After stopping the operation of the system, turn off the power-supply breaker and remove the power plug.
- Discharge the capacitor before commencing work involving the electric parts.

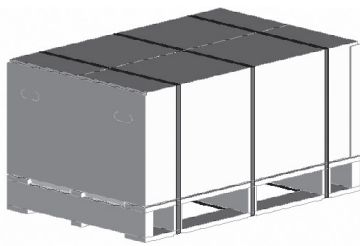
<Precautions during service>

- Do not perform work involving electric parts with wet hands.
- Do not pour water or liquid into the electric parts.
- Do not touch the refrigerant.
- Do not touch the hot or cold surfaces in the refrigerant cycle.
- When the repair or the inspection of the circuit needs to be carried out without turning off the power, exercise great caution NOT to touch any LIVE parts.

Cylinder unit
Hydrobox/GSHP/WTW

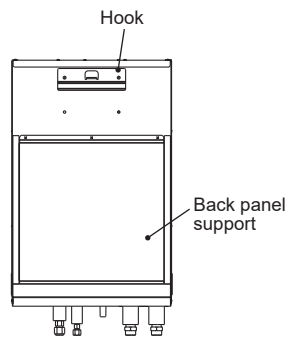
5.6.1 Location

■ Transportation and Handling



<Figure 5.6.1>

Hydrobox is delivered on a wooden pallet base with cardboard protection.



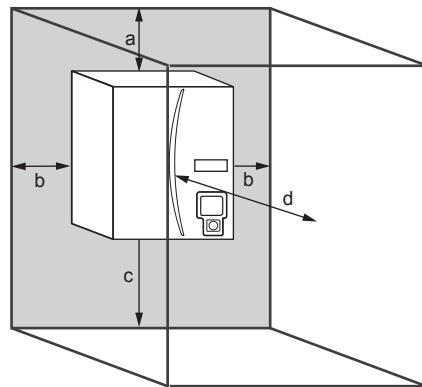
<Figure 5.6.2>

■ Service access diagrams

Service access	
Parameter	Dimension (mm)
a	200
b	150
c	500
d	500

<Table 5.6.1>

Sufficient space **MUST** be left for the provision of discharge pipework as detailed in National and Local building regulations.



<Figure 5.6.3>

Service access

Care should be taken when transporting the hydrobox so that the casing is not damaged by impact. Do not remove the protective packaging until hydrobox has reached its final location. This will help protect the structure and control panel.

Notes:

- The hydrobox should **ALWAYS** be moved by a minimum of 2 people.
- Do **NOT** hold piping when moving or lifting the hydrobox.

■ Suitable Location

Before installation the hydrobox should be stored in a frost-free weather-proof location. Units must **NOT** be stacked.

- The hydrobox should be installed indoors in a frost free weather proof location.
- Install the hydrobox where it is not exposed to water/excessive moisture.
- The hydrobox should be positioned on a level wall capable of supporting it's filled weight.
- To find out the weight, refer to "2. Specifications".
- Care should be taken that minimum distances around and in front of the unit for service access are observed <Figure 5.6.3>.
- Secure the hydrobox to prevent it being knocked over.
- The hook and panel supports should be used to fix the hydrobox to the wall. <Fig. 5.6.2>

The hydrobox must be located indoors and in a frost-free environment, for example in a utility room.

■ Repositioning hydrobox

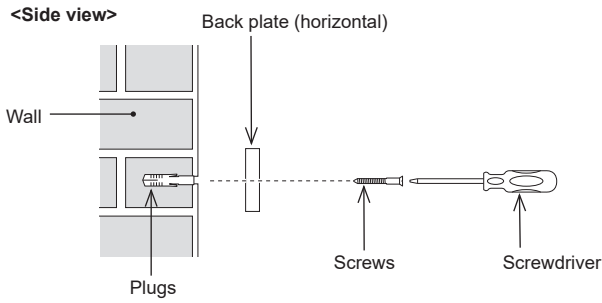
If you need to move the hydrobox to a new position **FULLY DRAIN** it before moving to avoid damage to the unit.

Note: Do **NOT** hold piping when moving or lifting the hydrobox.

5 Hydrobox

■ Mounting procedure

1. Install the included back plate accessory.
* When installing the back plate, use locally-supplied screws and compatible fixing plugs.

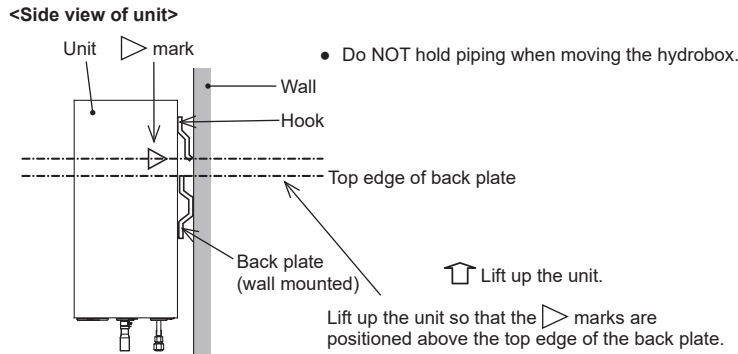


<Figure 5.6.4>

- Fit the back plate correctly with its horizontal notch profile positioned at the TOP.
The back plate is provided with screw mounting holes that are round or oval. To prevent the unit from falling off the wall, choose the appropriate number of holes or hole positions and horizontally secure the back plate to the appropriate wall location.

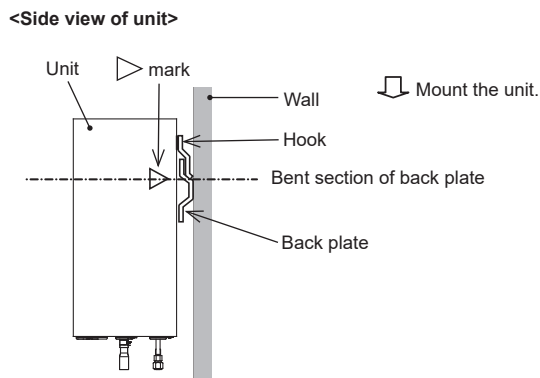
2. Insert the hook on the back of the hydrobox behind the notch of the back plate.
*The lifting up of the hydrobox is facilitated by first tilting the unit forward using the included packaging cushioning.

- i) Each of the right and left side panels has a ▷ mark indication.
Lift up the unit so that the ▷ marks are positioned above the top edge of the back plate as shown below.

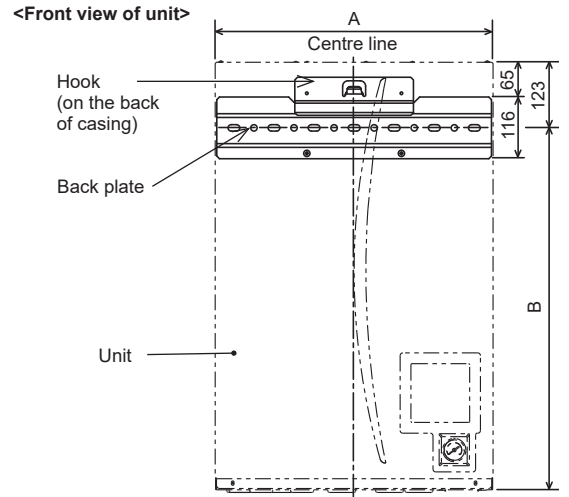


<Figure 5.6.5>

- ii) Check and ensure that the ▷ marks are positioned and properly engaged at the bent section level on the back plate as shown below.



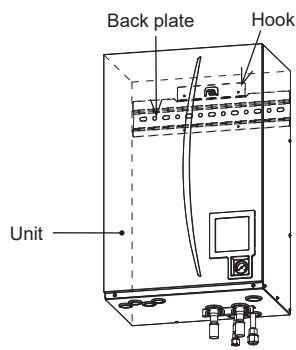
<Figure 5.6.6>



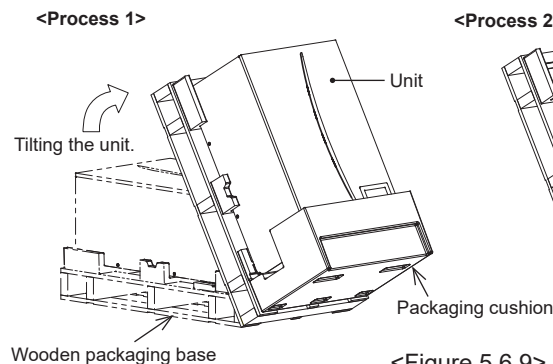
<Figure 5.6.7>

- Figure 5.6.7 shows the relative positions between the unit and the wall secured back plate. Referring to the <Figure 5.6.3> Service access, install the back plate.

Dimensions (mm)	A	B
Hydro box		
E*SC	530	677
E*SD		
E*PX		
E*SE	600	827



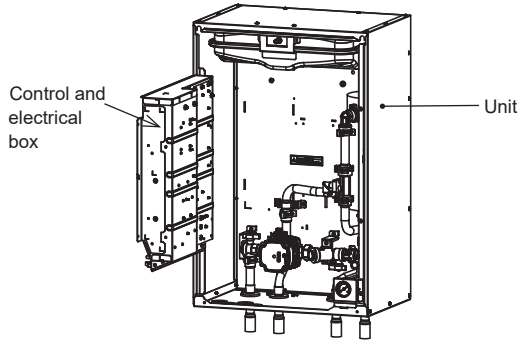
<Figure 5.6.8>



<Figure 5.6.9>

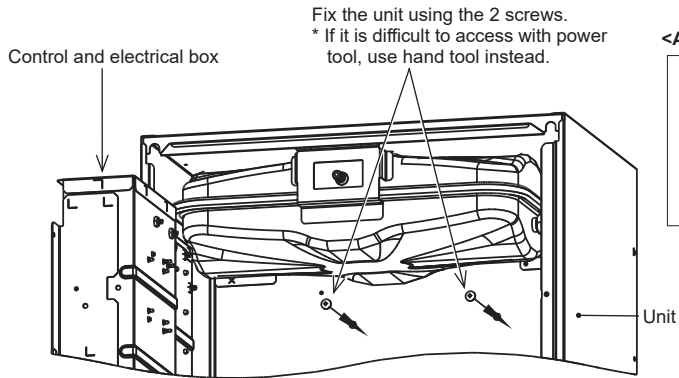
5 Hydrobox

3. Referring to "How to access Internal Components and Control and Electrical Box", fix the unit to the back plate using the included 2 screws (accessory items).



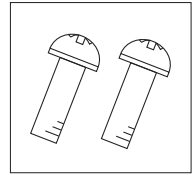
<Figure 5.6.10>

Fix the unit using the 2 screws.

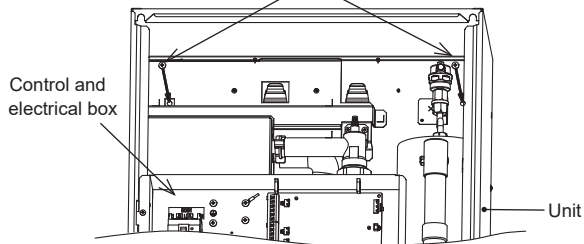


<Figure 5.6.11>

<Accessory>



Screw M5x8



<Figure 5.6.12>

CAUTION: BEFORE performing field piping, be sure to fit and tighten these two screws. Otherwise, the hook could be disengaged, and the unit could fall down.

5 Hydrobox

5.6.2 Water Quality and System Preparation

■ General

- The water in both primary and sanitary circuit should be clean and with pH value of 6.5-8.0.
- The followings are the maximum values;
Calcium: 100 mg/L, Ca hardness: 250 mg/L
Chlorine: 100 mg/L, Copper: 0.3 mg/L
- Other constituents should be to European Directive 98/83 EC standards.
- In known hard water areas, to prevent/minimise scaling, it is beneficial to restrict the routine stored water temperature (DHW max. temp.) to 55°C.

■ Anti-Freeze

Anti-freeze solutions should use propylene glycol with a toxicity rating of Class 1 as listed in Clinical Toxicology of Commercial Products, 5th Edition.

Notes:

1. Ethylene glycol is toxic and should NOT be used in the primary water circuit in case of any cross-contamination of the potable circuit.
2. For 2-zone valve ON/OFF control, propylene glycol should be used.

■ New Installation (primary water circuit)

- Before connecting outdoor unit, thoroughly cleanse pipework of building debris, solder etc using a suitable chemical cleansing agent.
- Flush the system to remove chemical cleanser.
- For all packaged model systems, and the split model or PUMY system without booster heater, add a combined inhibitor and anti-freeze solution to prevent damage to the pipework and system components.
- For split model systems the responsible installer should decide if anti-freeze solution is necessary for each site's conditions. Corrosion inhibitor however should ALWAYS be used.

■ Existing Installation (primary water circuit)

- Before connecting outdoor unit the existing heating circuit MUST be chemically cleansed to remove existing debris from the heating circuit.
- Flush the system to remove chemical cleanser.
- For all packaged model systems add a combined inhibitor and anti-freeze solution to prevent damage to the pipework and system components.
- For split model systems the responsible installer should decide if anti-freeze solution is necessary for each site's conditions. Corrosion inhibitor however should ALWAYS be used.

When using chemical cleansers and inhibitors always follow manufacturer's instructions and ensure the product is appropriate for the materials used in the water circuit

■ Minimum amount of water required in the space heating/cooling circuit

Outdoor heat pump unit		Indoor unit containing water amount [L]	*Additional required water amount [L]	
			Average / Warmer climate**	Colder climate**
Packaged model	PUZ-WM50	5	2	24
	PUZ-WM60		4	29
	PUZ-WM85		7	32
	PUZ-WM112		11	43
	PUZ-HWM140		15	55
Split model SUZ series	SUZ-SWM40VA	5	1	12
	SUZ-SWM60VA		2	21
	SUZ-SWM80VA		4	29
	SUZ-SWM30VA		5 ***	12 ***
	SUZ-SWM40VA2(-SC)		5 ***	12 ***
	SUZ-SWM60VA2(-SC)		9 ***	21 ***
	SUZ-SWM80VA(H)2		12 ***	29 ***
	SUZ-SWM100VA(H)		12 ***	38 ***
	SUZ-SHWM30VAH		9 ***	21 ***
	SUZ-SHWM40VAH(-SC)		9 ***	21 ***
SUZ-SHWM60VAH(-SC)	12 ***	29 ***		
Split model PUD series	PUD-S(H)WM60	5	4	21
	PUD-S(H)WM80		6	29
	PUD-S(H)WM100		10	38
	PUD-S(H)WM120		12	47
	PUD-SHWM140		15	55
Split model PUHZ series	PUHZ-SW75	5	6	37
	PUHZ-SW100		9	38
	PUHZ-SW120		12	47
	PUHZ-SW160		18	64
	PUHZ-SW200		24	81
	PUHZ-SHW80		6	29
	PUHZ-SHW112		11	43
	PUHZ-SHW140		15	55
PUHZ-SHW230	28	94		
Split model Multi series	PUHZ-FRP71	5	6	27
	PUMY-P112		22	75
	PUMY-P125		22	75
	PUMY-P140		22	75
	PXZ-4F75VG		6	27
PXZ-5F85VG	6	29		

<Table 5.6.2>

* Water amount: If there is a bypass circuit, above table means minimum water amount in case of bypass.

** Climate: Please refer to 2009/125/EC: Energy-related Products Directive and Regulation (EU) No 813/2013 to confirm your climate zone.

*** SUZ series: Flow temperature MUST always be NO lower than 32 °C when outdoor temperature drops below -15 °C. Potential risks of plate HEX get frozen and damaged, and also outdoor HEX would be frosted due to insufficient defrosting.

Case 1. No division between primary and secondary circuit

- Please ensure the required water amount according to the table 5.6.2 by water pipe and radiator or underfloor heating.

Case 2. Separate primary and secondary circuit

- If the interlock operation of primary and secondary pump is not available, please ensure required additional water in only primary circuit according to the table 5.6.2.
- If the interlock operation of primary and secondary pump is available, please ensure total water amount of primary and secondary circuit according to the table 5.6.2.

In case of the shortage of required water amount, please install buffer tank.

5 Hydrobox

5.6.3 Water Pipe Work

Note: Prevent the field piping from straining the piping on the hydrobox by fixing it to a wall or applying other methods.

Hot Water Pipework

The function of the following safety components of the hydrobox should be checked on installation for any abnormalities;

- Pressure relief valve
- Expansion vessel pre-charge (gas charge pressure)

The instruction on the following pages regarding safe discharge of hot water from Safety devices should be followed carefully.

- The pipework will become very hot, so should be insulated to prevent burns.
- When connecting pipework, ensure that no foreign objects such as debris or the like enter the pipe.

Safety Device Connections

The hydrobox contains a pressure relief valve. (see <Figure 5.6.13>) The connection size is G1/2" female. The installer MUST responsibly connect appropriate discharge pipework from this valve in accordance with local and national regulations.

Failure to do so will result in discharge from the pressure relief valve directly into the hydrobox and cause serious damage to the product.

All pipework used should be capable of withstanding discharge of hot water. Relief valves should NOT be used for any other purpose, and their discharges should terminate in a safe and appropriate manner in accordance with local regulation requirements.

Note: Beware that the manometer and the pressure relief valve are NOT strained on its capillary side and on its inlet side respectively. If a pressure relief valve is added, it is essential that no check valve or isolation valve is fitted between the hydrobox connection and the added pressure relief valve (safety matter).

Hydraulic Filter Work (ONLY E*PX series)

Install a hydraulic filter or strainer (local supply) at the water intake ("Pipe E" in Table 5.1.1, also see associated schematic Fig. 5.5.5)

Pipework Connections

Connections to the hydrobox should be made using the 28mm compression (ERSD/ERSC/ERPX series) or the G1 nut (ERSD/ERSC/ERPX series) the G1-1/2 nut (E*SE series) as appropriate. (The hydrobox has G1 or G1-1/2 (male) thread connections.)

Do not over-tighten compression fittings as this will lead to deformation of the olive ring and potential leaks.

Note: Before brazing pipes in the field, protect pipes on the hydrobox using wet towels etc as "heat shield".

Use two wrenches to tighten piping connection (see <Figure 5.6.14>).

Drain Pipework (ONLY ER series)

The drain pipe should be installed to drain condensing water in Cooling mode.

- Securely install the drain pipe to prevent leakage from the connection.
- Securely insulate the drain pipe to prevent water dripping from the locally supplied drain pipe.
- Install the drain pipe at a down slope of 1/100 or more.
- Do not place the drain pipe in drain channel where sulphuric gas exists.
- After installation, check that the drain pipe drains water properly from the outlet of the pipe.

<Installation>

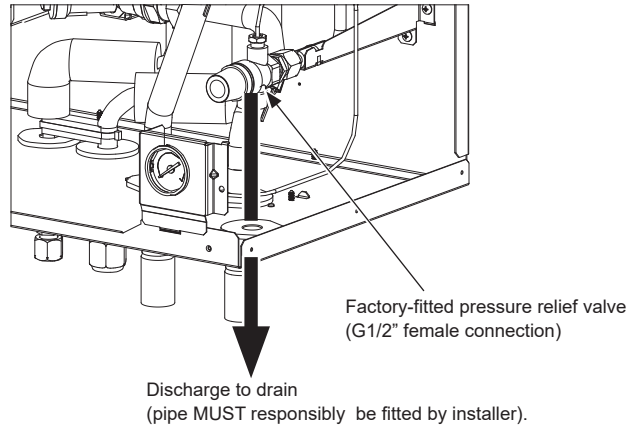
1. Apply polyvinyl chloride type adhesive over the shaded surfaces inside of the drain pipe and on the exterior of the drain socket as shown.
2. Insert the drain socket deeply into the drain pipe <Figure 5.6.15>.

Note: Securely support the locally supplied drain pipe using pipe support to avoid the drain pipe falling from the drain socket.

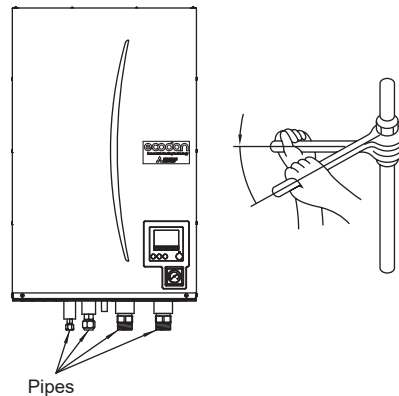
To prevent dirty water from draining directly onto the floor next to hydrobox, please connect appropriate discharge pipework from the hydrobox.

Insulation of Pipework

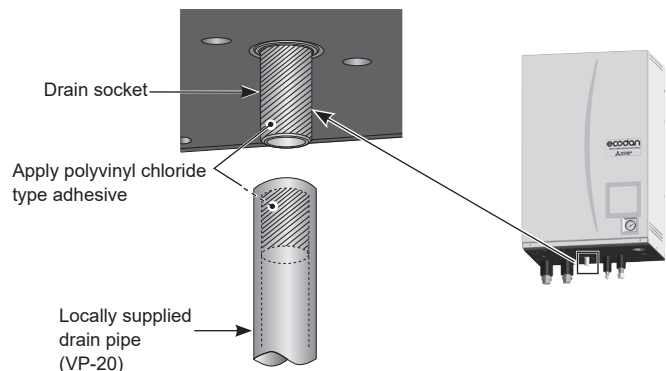
- All exposed water pipework should be insulated to prevent unnecessary heat loss and condensation. To prevent condensate entering the hydrobox, the pipework and connections at the top of the hydrobox should be carefully insulated.
- Cold and hot water pipework should not be run close together where possible, to avoid unwanted heat transfer.
- Pipework between outdoor heat pump unit and hydrobox should be insulated with suitable pipe insulation material with a thermal conductivity of ≤ 0.04 W/m.K.



<Figure 5.6.13>



<Figure 5.6.14>



<Figure 5.6.15>

5 Hydrobox

5.6.4 Water Circulation Pump Characteristics

Pump speed can be selected by main remote controller setting (see <Figure 5.6.16>).

Adjust the pump speed setting so that the flow rate in the primary circuit is appropriate for the outdoor unit installed (see Table 5.6.3). It may be necessary to add an additional pump to the system depending on the length and lift of the primary circuit. For outdoor unit model not listed in the <Table 5.6.3>, refer to Water flow rate range in the specification table of outdoor unit Data Book.

<Second pump >

If a second pump is required for the installation please read the following carefully.

If a second pump is used in the system it can be positioned in 2 ways.

The position of the pump influences which terminal of the FTC the signal cable should be wired to. If the additional pump(s) have current greater than 1A please use appropriate relay. Pump signal cable can either be wired to TBO.1 1-2 or CNP1 but NOT both.

Option 1 (Space heating/cooling only)

If the second pump is being used for the heating circuit only then the signal cable should be wired to TBO.1 terminals 3 and 4 (OUT2). In this position the pump can be run at a different speed to the hydrobox's in-built pump.

Option 2 (Primary circuit DHW and space heating/cooling)

If the second pump is being used in the primary circuit between the hydrobox and the outdoor unit (Package system ONLY) then the signal cable should be wired to TBO.1 terminals 1 and 2 (OUT1). In this position the pump speed **MUST** match the speed of the hydrobox's in-built pump.

Note: Refer to 5.4.2 Connecting inputs/outputs.

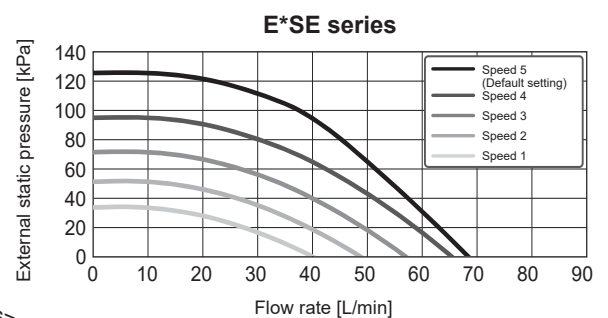
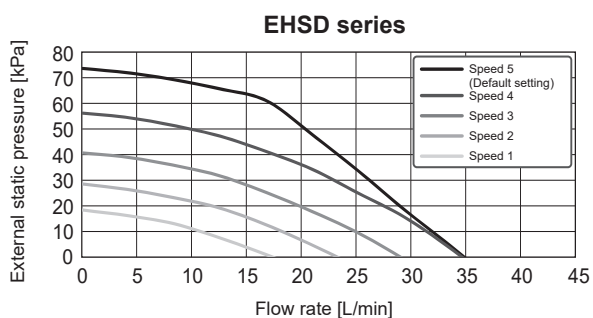
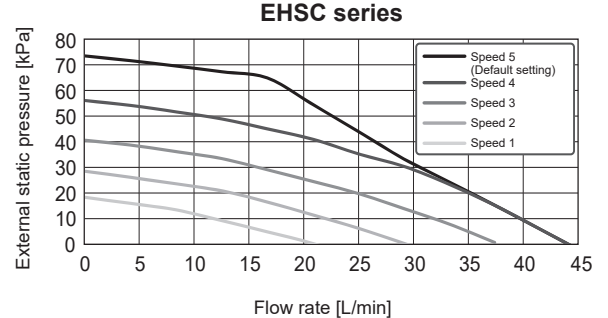
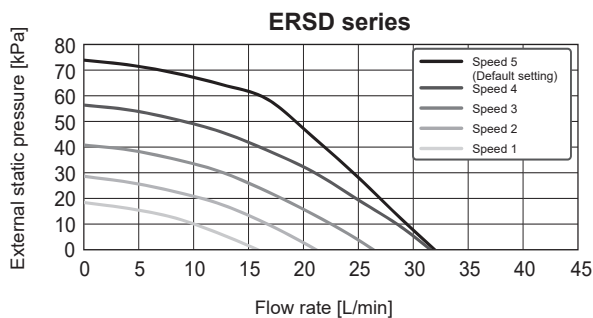
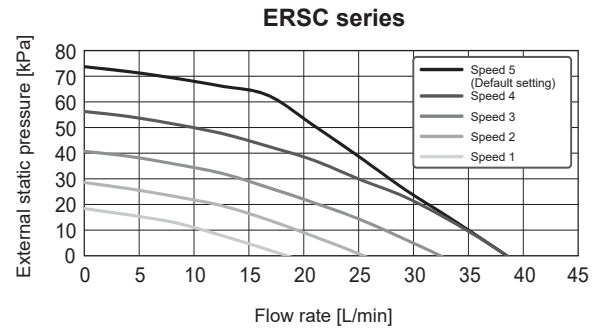
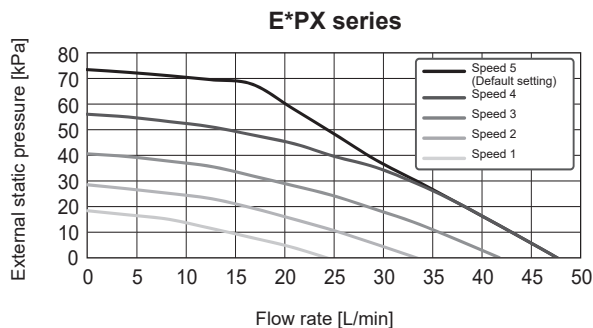
Outdoor heat pump unit		Water flow rate range [L/min]
Packaged model	PUZ-WM50	6.5 - 14.3
	PUZ-WM60	8.6 - 17.2
	PUZ-WM85	10.8 - 24.4
	PUZ-WM112	14.4 - 32.1
	PUZ-HWM140	17.9 - 36.9
Split model SUZ series	SUZ-SWM40VA	6.5 - 11.4
	SUZ-SWM60VA	7.2 - 17.2
	SUZ-SWM80VA	7.8 - 21.5
	SUZ-SWM30VA	6.5 - 11.4
	SUZ-SWM40VA2(-SC)	6.5 - 11.4
	SUZ-SWM60VA2(-SC)	7.2 - 17.2
	SUZ-SWM80VA(H)2	10.9 - 21.5
	SUZ-SWM100VA(H)	10.9 - 27.2
	SUZ-SHWM30VAH	6.5 - 11.4
	SUZ-SHWM40VAH(-SC)	7.2 - 17.2
SUZ-SHWM60VAH(-SC)	10.9 - 21.5	
Split model PUD series	PUD-S(H)WM60	9.0 - 22.9
	PUD-S(H)WM80	9.0 - 22.9
	PUD-S(H)WM100	14.3 - 34.4
	PUD-S(H)WM120	14.3 - 34.4
	PUD-SHWM140	14.3 - 34.4
Split model PUHZ series	PUHZ-SW75	10.2 - 22.9
	PUHZ-SW100	14.4 - 32.1
	PUHZ-SW120	20.1 - 36.9
	PUHZ-SHW80	10.2 - 22.9
	PUHZ-SW160	23.0 - 63.1
	PUHZ-SW200	28.7 - 71.7
	PUHZ-SHW112	14.4 - 32.1
	PUHZ-SHW140	17.9 - 36.9
	PUHZ-SHW230	28.7 - 65.9
	Split model Multi series	PUHZ-FRP71
PUMY-P112		17.9 - 35.8
PUMY-P125		17.9 - 35.8
PUMY-P140		17.9 - 35.8
PXZ-4F75VG		11.5 - 21.7
PXZ-5F85VG	11.5 - 24.6	

<Table 5.6.3>

* If the water flow rate is less than the minimum flow rate setting of the flow sensor(default 5.0 L/min), the flow rate error will be activated.

If the water flow rate exceeds 36.9 L/min, the flow speed will be greater than 2.0 m/s, which could erode the pipes.

Water Circulation Pump Characteristics



<Figure 5.6.16>

5 Hydrobox

■ Sizing Expansion Vessels

Expansion vessel volume must fit the local system water volume.

To size an expansion vessel both for the heating and cooling circuits the following formula and graph can be used.

When the necessary expansion vessel volume exceeds the volume of an built-in expansion vessel, install an additional expansion vessel so that the sum of the volumes of the expansion vessels exceeds the necessary expansion vessel volume.

* For installation of an E***-M*ED model, provide and install a suitable primary-side expansion vessel and additional 3 bar rated pressure relief valve in the field as the model does not come fitted with a primary-side expansion vessel.

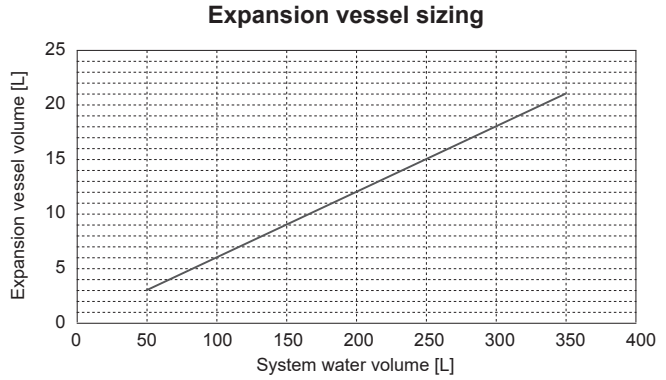
$$V = \frac{\epsilon \times G}{1 - \frac{P_1 + 0.098}{P_2 + 0.098}}$$

Where;

- V : Necessary expansion vessel volume [L]
- ε : Water expansion coefficient
- G : Total volume of water in the system [L]
- P₁ : Expansion vessel setting pressure [MPa]
- P₂ : Max. pressure during operation [MPa]

Graph to the right is for the following values

- ε : at 70°C = 0.0229
- P₁ : 0.1 MPa
- P₂ : 0.3 MPa
- *A 30% safety margin has been added.



<Figure 5.6.17>

5 Hydrobox

5.7. System Set Up

5.7.1 Remote Controller Options

The indoor unit comes factory fitted with a main remote controller. This incorporates a thermistor for temperature monitoring and a graphical user interface to enable set-up, view current status and input scheduling functions. The main remote controller is also used for servicing purposes. This facility is accessed via password protected service menus.

To provide the best efficiency Mitsubishi Electric recommends using automatic adaptation function based on room temperature. To use this function a room thermistor needs to be present in a main living area. This can be done in a number of ways the most convenient are detailed below.

Refer to heating section of this manual for instructions on how to set compensation curve, Flow temp. or Room temp. (Auto adaptation).

For instructions on how to set the thermistor input for the FTC please refer to Initial settings section.

The factory setting for space heating mode is set to Room temp. (auto adaptation). If there is no room sensor present in the system, this setting must be changed to either Compensation curve mode or Flow temp. mode.

Note: Auto-adaptation is not available in Cooling mode.

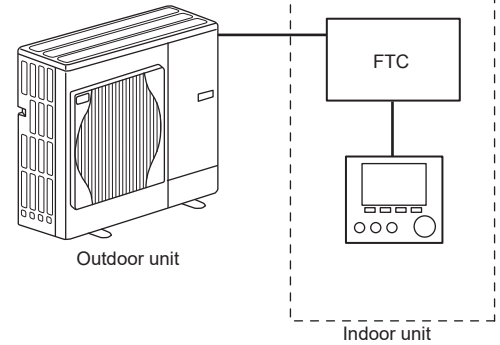
■ 1-zone temperature control

<p>Control option A</p>	<p>This option features the main remote controller and the Mitsubishi Electric wireless remote controller. The wireless remote controller is used to monitor room temperature and can be used to make changes to the space heating settings, boost DHW (*1) and switch to holiday mode without having to directly use the main remote controller.</p> <p>If more than one wireless remote controller is used, the most recently requested temperature setting will commonly be applied to all rooms by the central control system regardless of which wireless remote controller was used. No hierarchy exists across these remote controllers.</p> <p>Wire the wireless receiver to FTC referring to the wireless remote controller instruction manual. Turn DIP SW1-8 to ON. Before operation configure the wireless remote controller to transmit and receive data referring to the wireless remote controller installation manual.</p>	
<p>Control option B</p>	<p>This option features the main remote controller and the Mitsubishi Electric thermistor wired to FTC. The thermistor is used to monitor room temperature but can not make any changes in control operation. Any changes to DHW (*1) must be made using the main remote controller mounted on the indoor unit.</p> <p>Wire the thermistor to the TH1 connector on FTC.</p> <p>The number of room temperature thermistors that can be connected to FTC is always one.</p>	
<p>Control option C</p>	<p>This option features the main remote controller being removed from the indoor unit and situated in a different room. A thermistor built in the main remote controller can be used for monitoring the room temperature for Auto Adaptation function whilst keeping all its features of the main remote controller available.</p> <p>The main remote controller and FTC are connected by a 2-core, 0.3 mm², non-polar cable (local supply) with a maximum length of 500 m.</p> <p>To use the sensor in the main remote controller the main remote controller should come off from the indoor unit. Otherwise it will detect the temperature of the indoor unit instead of room temperature. This will affect the output of the space heating.</p> <p>Note: Wiring for main remote controller cable shall be (5 cm or more) apart from power source wiring so that it is not influenced by electrical noise from power source wiring. (Do NOT insert main remote controller cable and power source wiring in the same conduit.)</p>	
<p>Control option D (Flow temp. or compensation curve only)</p>	<p>This option features the main remote controller and a locally supplied thermostat wired to FTC. The thermostat is used to set the maximum temperature for heating room. Any changes to DHW (*1) must be made using main remote controller mounted on the indoor unit.</p> <p>The thermostat is wired to IN1 in TBl.1 on FTC. The number of thermostats that can be connected to FTC is always one.</p>	

*1 If applicable

★ The wireless remote controller can be also used as a thermostat.

Factory supplied standard



5 Hydrobox

2-zone temperature control

Control option A

This option features the main remote controller, the Mitsubishi Electric wireless remote controller and a locally supplied thermostat.

The wireless remote controller is used to monitor the Zone1 room temperature and the thermostat is used to monitor the Zone2 room temperature.

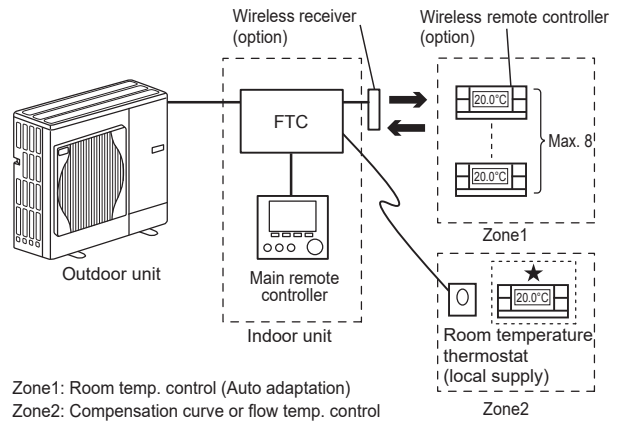
The thermostat can be also allocated to Zone1 and the wireless remote controller to Zone2.

The wireless remote controller can be also used to make changes to the space heating settings, boost DHW (*1) and switch to holiday mode without having to use the main remote controller.

If more than one wireless remote controller is used, the last temperature setting adjustment/demand will be applied to ALL rooms in same zone.

Wire the wireless receiver to FTC referring to the wireless remote controller instruction manual. Turn DIP SW1-8 to ON. Before operation configure the wireless remote controller to transmit and receive data referring to the wireless remote controller installation manual.

The thermostat is used to set the maximum temperature for heating Zone2 room. The thermostat is wired to IN6 on FTC. (If the thermostat is allocated to Zone1, it is wired to IN1 on TBI.1.) (Refer to 5.4.2.)



Control option B

This option features the main remote controller, the Mitsubishi Electric thermistor and a locally supplied thermostat that are wired to FTC.

The thermistor is used to monitor the Zone1 room temperature and the thermostat is used to control the Zone2 room temperature.

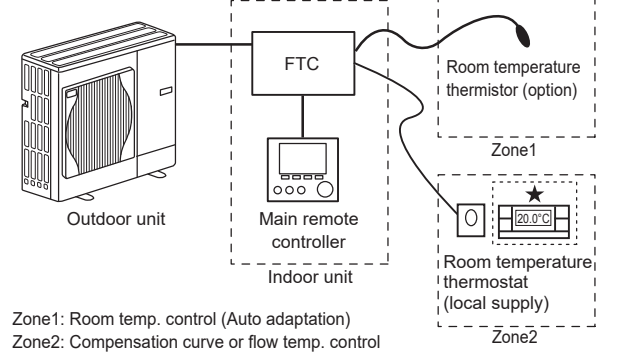
The thermostat can be also allocated to Zone1 and the thermistor to Zone2.

The thermistor can not make any changes in control operation. Any changes to DHW (*1) must be made using the main remote controller mounted on the indoor unit.

Wire the thermistor to the TH1 connector on FTC.

The number of room temperature thermistors that can be connected to FTC is always one.

The thermostat is used to set the maximum temperature for heating Zone2 room. The thermostat is wired to IN6 on FTC. (If the thermostat is allocated to Zone1, wire it to IN1 on TBI.1.) (Refer to 5.4.2.)



Control option C

This option features the main remote controller (with in-built thermistor) that is removed from the indoor unit to monitor the Zone1 room temperature and a locally supplied thermostat to monitor the Zone2 room temperature.

The thermostat can be also allocated to Zone1 and the thermistor to Zone2.

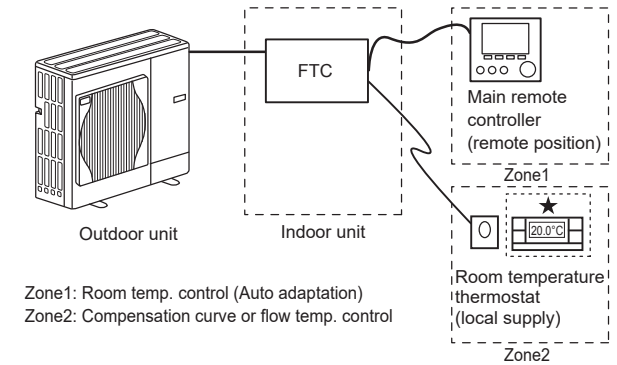
A thermistor built into the main remote controller can be used for monitoring the room temperature for Auto Adaptation function whilst keeping all its features of the main remote controller available.

The main remote controller and FTC are connected by a 2-core, 0.3 mm², non-polar cable (local supply) with a maximum length of 500 m.

To use the sensor in the main remote controller the main remote controller should be detached from the indoor unit. Otherwise it will detect the temperature of the indoor unit instead of room temperature. This will affect the output of the space heating.

The thermostat is used to set the maximum temperature for heating Zone2 room. The thermostat is wired to IN6 on FTC. (If the thermostat is allocated to Zone1, wire it to IN1 on TBI.1.) (Refer to 5.4.2.)

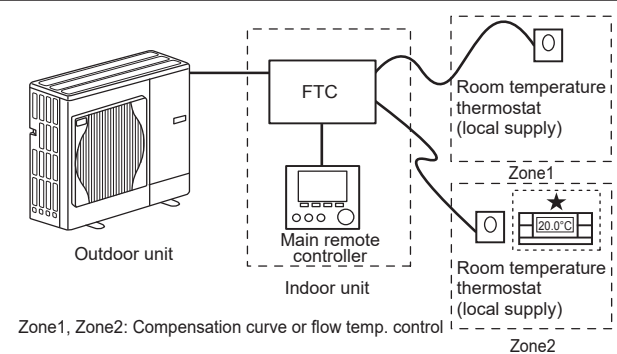
Note: Wiring for main remote controller cable shall be (5 cm or more) apart from power source wiring so that it is not influenced by electrical noise from power source wiring. (Do NOT insert main remote controller cable and power source wiring in the same conduit.)



Control option D

This option features the locally supplied thermostats wired to FTC. The thermostats are individually allocated to Zone1 and Zone2. The thermostats are used to set each maximum temperature for heating Zone1 and Zone2 rooms. Any changes to DHW (*1) must be made using the main remote controller mounted on the indoor unit.

The thermostat for Zone1 is wired to IN1 in TBI.1 on FTC.
The thermostat for Zone2 is wired to IN6 in TBI.1 on FTC.



*1 If applicable

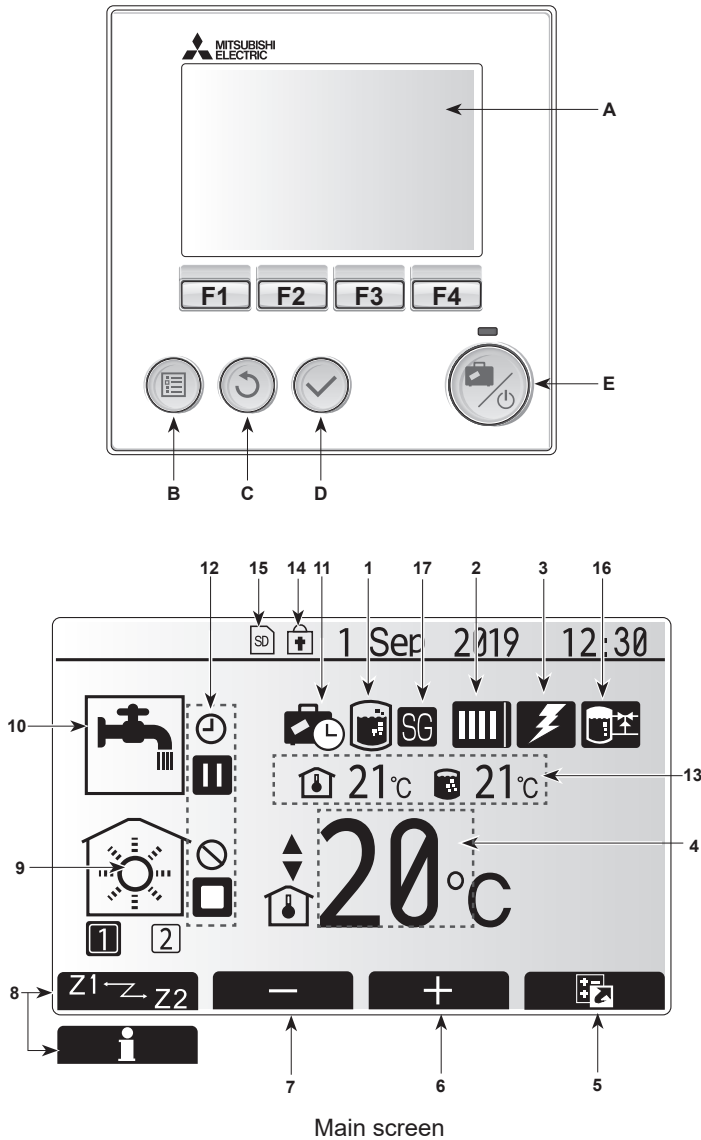
*2 For the options above, the sensor types can be exchanged between Zone1 and Zone2. (e.g. Wireless remote controller in Zone1 and Room temp. thermostat in Zone2 can be changed to Room temp. thermostat and wireless remote controller, respectively)

★ The wireless remote controller can be also used as a thermostat.

5 Hydrobox

5.7.2 Main remote controller

To change the settings of your heating/cooling system please use the main remote controller located on the front panel of the cylinder unit or hydrobox. The following is a guide to viewing the main settings. Should you require more information please contact your installer or local Mitsubishi Electric dealer. Cooling mode is available for ERS series only. However, Cooling mode is not available when the indoor unit is connected to PUHZ-FRP.



<Main remote controller parts>

Letter	Name	Function
A	Screen	Screen in which all information is displayed.
B	Menu	Access to system settings for initial set up and modifications.
C	Back	Return to previous menu.
D	Confirm	Used to select or save. (Enter key)
E	Power/Holiday	If system is switched off pressing once will turn system ON. Pressing again when system is switched on will enable Holiday Mode. Holding the button down for 3 secs will turn the system off. (*1)
F1-4	Function keys	Used to scroll through menu and adjust settings. Function is determined by the menu screen visible on screen A.

*1

When the system is switched off or the power supply is disconnected, the indoor unit protection functions (e.g. freeze stat. function) will NOT operate. Please beware that without these safety functions enabled the indoor unit may potentially become exposed to damage.

<Main screen icons>

Icon	Description	
1	Legionella prevention When this icon is displayed 'Legionella prevention mode' is active.	
2	Heat pump <ul style="list-style-type: none"> Heat pump icon: 'Heat pump' is running. Defrosting icon: Defrosting Emergency heating icon: Emergency heating Quiet mode icon: 'Quiet mode' is activated. 	
3	Electric heater When this icon is displayed the 'Electric heaters' (booster or immersion heater) are in use.	
4	Target temperature <ul style="list-style-type: none"> Target flow temperature icon: Target flow temperature Target room temperature icon: Target room temperature Compensation curve icon: Compensation curve 	
5	OPTION Pressing the function button below this icon will display the option screen.	
6	+	Increase desired temperature.
7	-	Decrease desired temperature.
8	Z1 Z2 Pressing the function button below this icon switches between Zone1 and Zone2. Information Pressing the function button below this icon displays the information screen.	
9	Space heating (cooling) mode <ul style="list-style-type: none"> Heating mode Zone1 or Zone2 icon: Heating mode Zone1 or Zone2 Cooling mode Zone1 or Zone2 icon: Cooling mode Zone1 or Zone2 	
10	DHW mode Normal or ECO mode	
11	Holiday mode When this icon is displayed 'Holiday mode' activated.	
12	<ul style="list-style-type: none"> Timer icon: Timer Prohibited icon: Prohibited Server control icon: Server control Stand-by icon: Stand-by Stand-by (*2) icon: Stand-by (*2) Stop icon: Stop Operating icon: Operating 	
13	Current temperature <ul style="list-style-type: none"> Room temperature icon: Current room temperature DHW tank temperature icon: Current water temperature of DHW tank 	
14	<ul style="list-style-type: none"> Lock icon: The Menu button is locked or the switching of the operation modes between DHW and Heating operations are disabled in the Option screen. (*3) 	
15	<ul style="list-style-type: none"> SD icon (normal): SD memory card is inserted. Normal operation. SD icon (abnormal): SD memory card is inserted. Abnormal operation. 	
16	Buffer tank control When this icon is displayed 'Buffer tank control' is active.	
17	Smart grid ready When this icon is displayed, 'Smart grid ready' is active.	

*2 This unit is in Stand-by whilst other indoor unit(s) is in operation by priority.

*3 To lock or unlock the Menu, press the BACK and CONFIRM keys simultaneously for 3 seconds.

5 Hydrobox

Initial settings wizard

When the main remote controller is switched on for the first time, the screen automatically goes to Language setting screen, Date/Time setting screen and Main settings menu screen in order. Enter the desired number using the function keys and press CONFIRM.

Note:

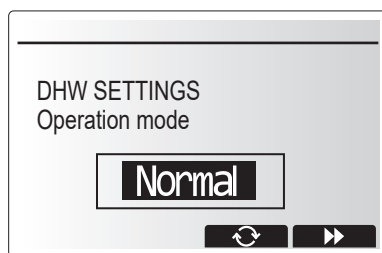
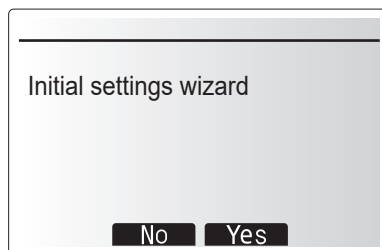
<HEATER CAPACITY RESTRICTION>

This setting restricts the booster heater capacity. It is NOT possible to change the setting after starting up.

If you do not have any special requirements (such as building regulations) in your country, skip this setting (select "No").

- Hot water (DHW/Legionella)
- Heating/Cooling
- Operation (ON/Prohibited/Timer)
- Pump speed
- Heat pump flow rate range
- Mixing valve control
- HEATER CAPACITY RESTRICTION

*1 The screen goes to the next setting screen. Changes have not been saved.



Main Settings Menu

The main settings menu can be accessed by pressing the MENU button. To reduce the risk of untrained end users altering the settings accidentally there are two access levels to the main settings; and the service section menu is password protected.

User Level – Short press

If the MENU button is pressed once for a short time the main settings will be displayed but without the edit function. This will enable the user to view current settings but NOT change the parameters.

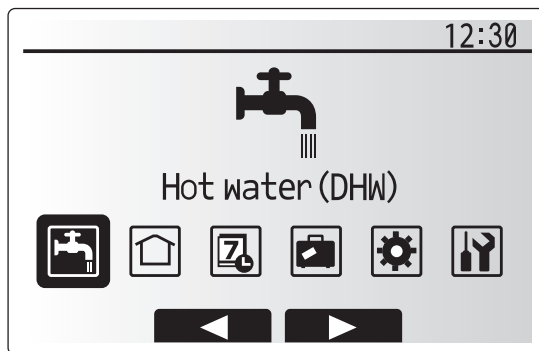
Installer Level – Long press

If the MENU button is pressed down for 3 seconds the main settings will be displayed with all functionality available.

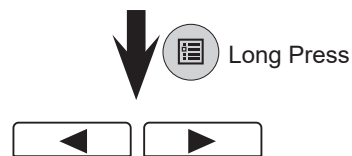
The colour of ◀▶ buttons is inverted, as per figure on right. <Fig. 5.7.1>

The following items can be viewed and/or edited (dependent on access level).

- Domestic Hot water (DHW)
- Heating/Cooling
- Schedule timer
- Holiday mode
- Initial settings
- Service (Password protected)



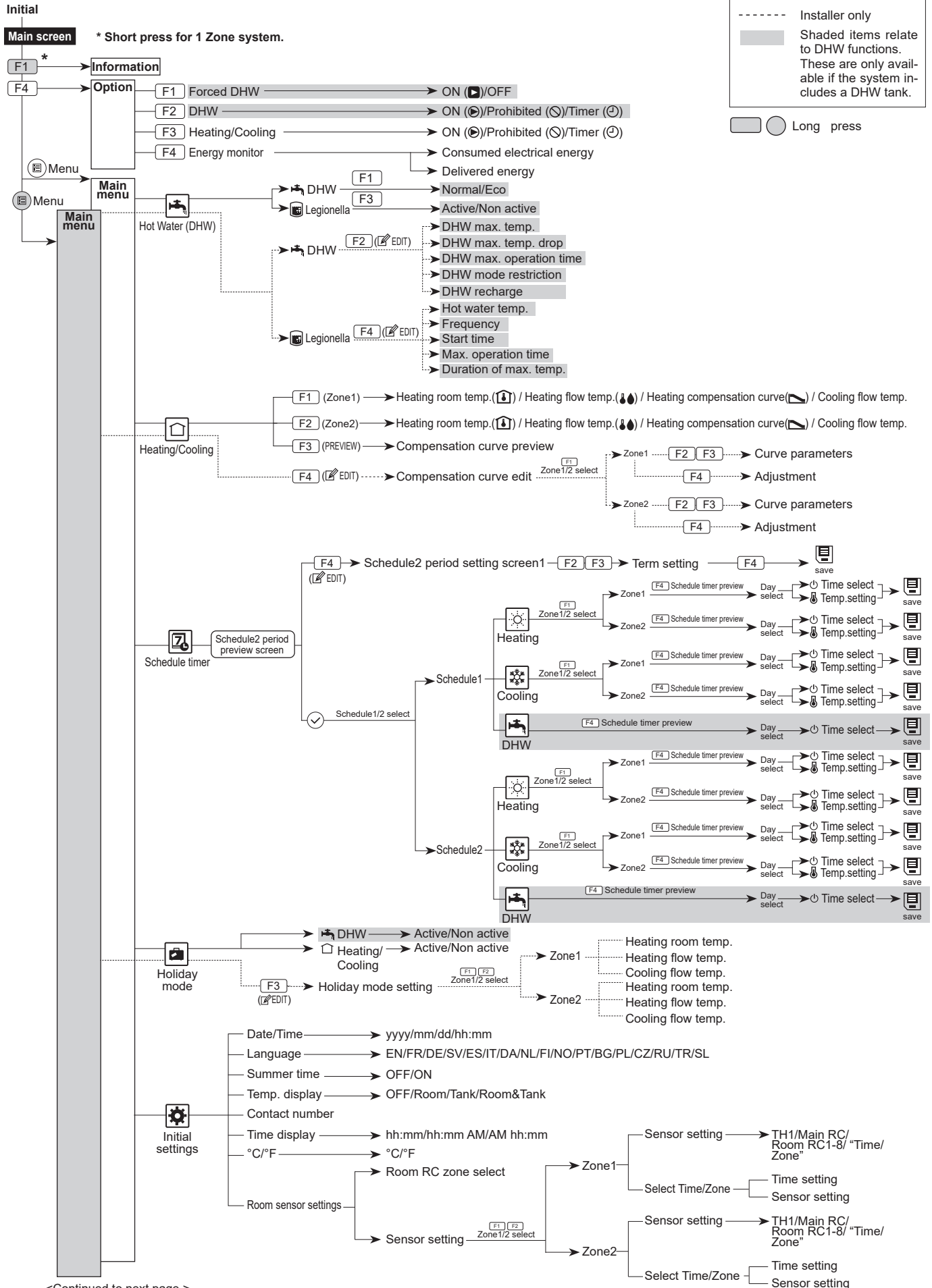
Main menu



<Fig. 5.7.1>

5 Hydrobox

<Main Controller Menu Tree>



— Unrestricted access
 - - - - - Installer only
 ■ Shaded items relate to DHW functions. These are only available if the system includes a DHW tank.
 ◻ ◯ Long press

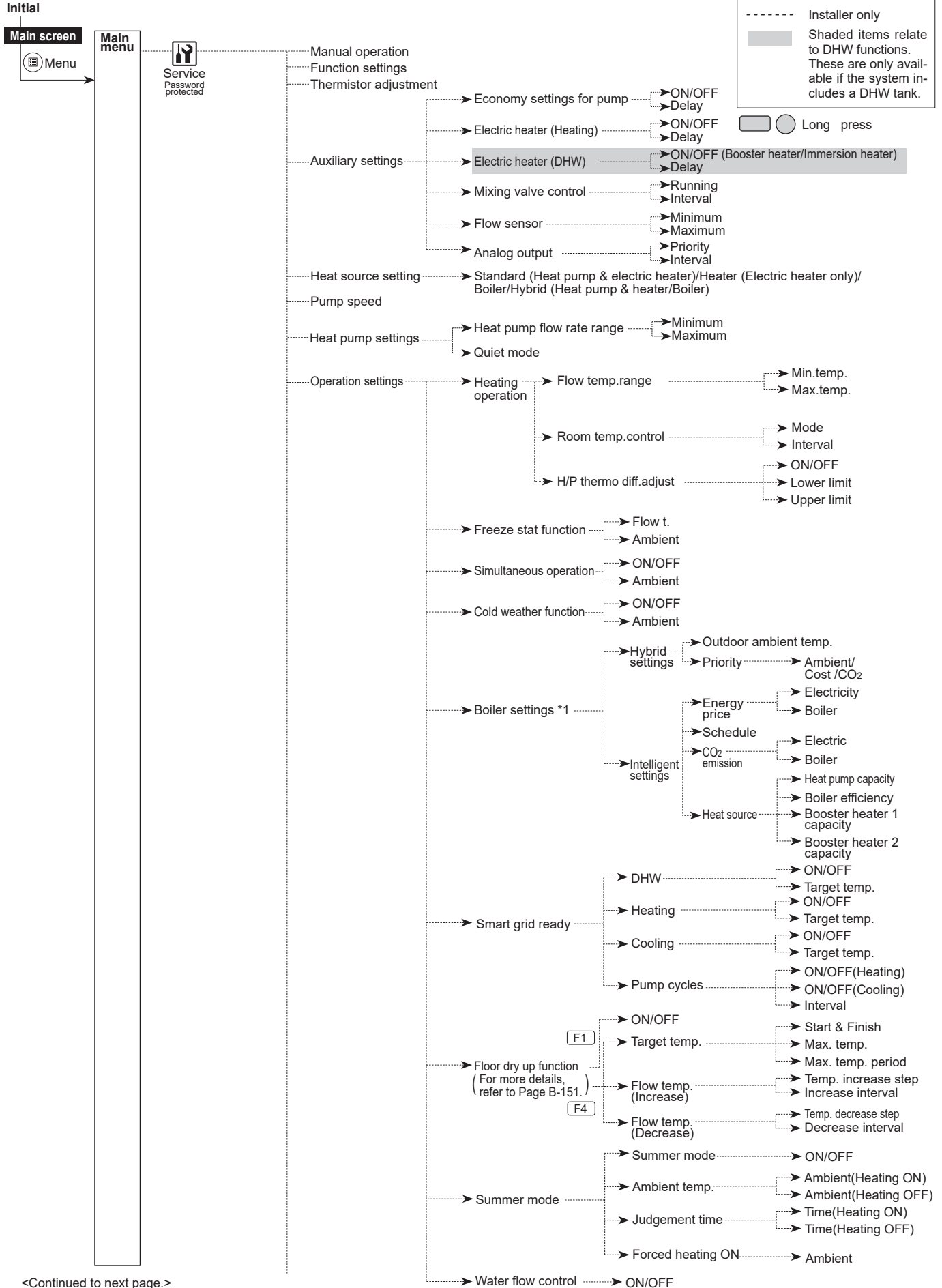
Cylinder unit/
Hydrobox/GSHP/W/TW

<Continued to next page.>

5 Hydrobox

<Continued from the previous page.>

<Main Controller Menu Tree>



— Unrestricted access
 - - - - - Installer only
 ■ Shaded items relate to DHW functions. These are only available if the system includes a DHW tank.
 □ ○ Long press

Cylinder unit / Hydrobox/GSHP/WTW

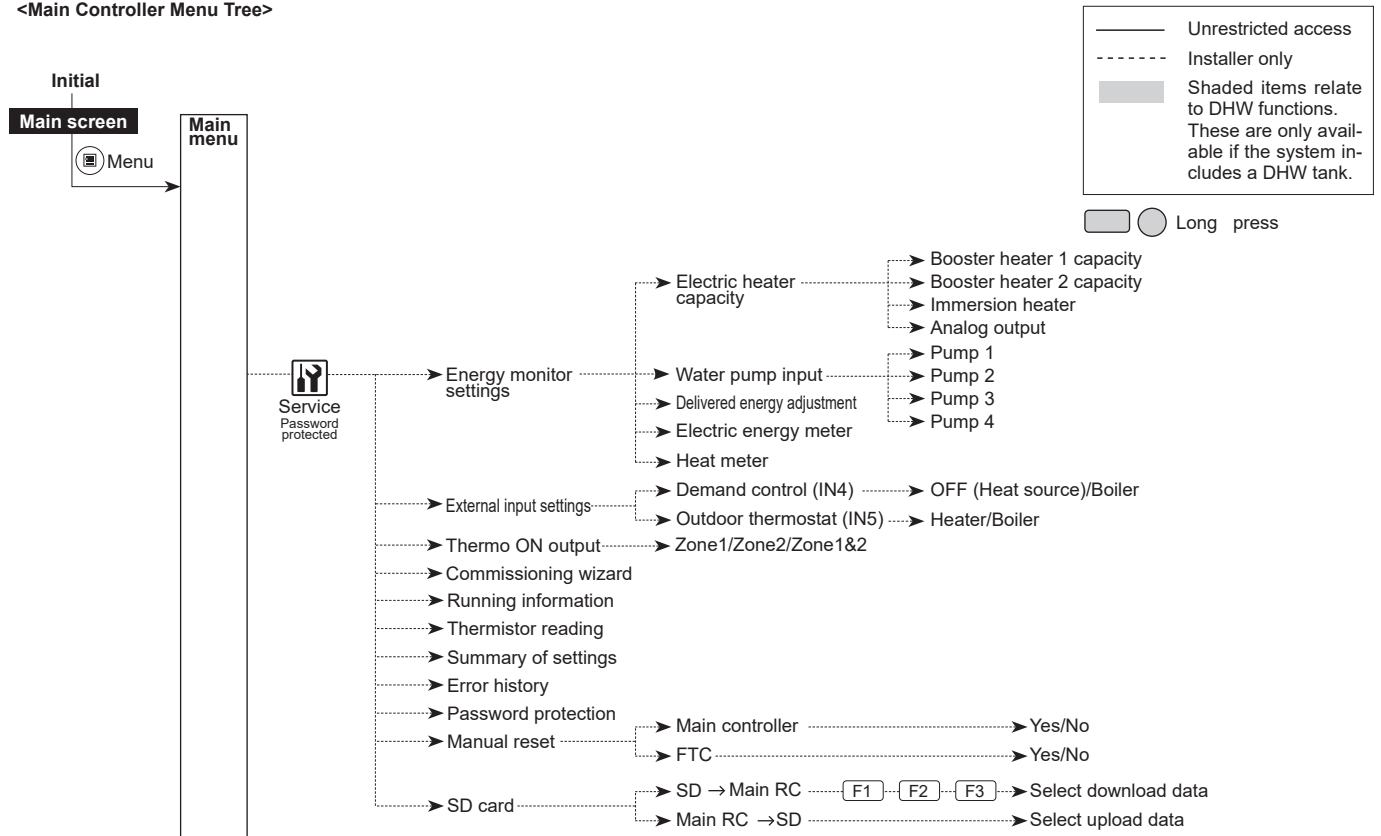
<Continued to next page.>

*1 For more details, refer to the installation manual of PAC-TH012HT(L)-E.

5 Hydrobox

<Continued from the previous page.>

<Main Controller Menu Tree>



Cylinder unit/
Hydrobox/GSHP/WTW

Domestic Hot Water (DHW)/Legionella Prevention

The domestic hot water and legionella prevention menus control the operation of DHW tank heat ups.

<DHW mode settings>

1. Highlight the hot water icon and press CONFIRM.
2. Use button F1 to switch between Normal and ECO heating modes.
3. To edit the mode, press down the MENU button for 3 seconds, then select "hot water".
4. Press F2 key to display the Hot Water (DHW) SETTING menu.
5. Use F2 and F3 keys to scroll through the menu selecting each component in turn by pressing CONFIRM. See the table below for description of each setting.
6. Enter the desired number using the function keys and press CONFIRM.



Menu subtitle	Function	Range	Unit	Default value
DHW max. temp.	Desired temperature of stored hot water	40 - 60	°C	50
DHW max. temp. drop	Difference in temperature between DHW max. temp. and the temperature at which DHW mode restarts	5 - 30 *	°C	10
DHW max. operation time	Max. time allowed for stored water heating DHW mode	30 - 120	min	60
DHW mode restriction	The time period after DHW mode when space heating has priority over DHW mode temporarily preventing further stored water heating (Only when DHW max. operation time has passed.)	30 - 120	min	30

* When the DHW max. temp is set over 55°C, the temperature at which DHW mode restarts must be less than 50°C to protect the device.

<Eco mode>

DHW mode can run in either 'Normal' or 'Eco' mode. Normal mode will heat the water in the DHW tank more quickly using the full power of the heat pump. Eco mode takes a little longer to heat the water in the DHW tank but the energy used is reduced. This is because heat pump operation is restricted using signals from the FTC based on measured DHW tank temperature.

Note: The actual energy saved in Eco mode will vary according to outdoor ambient temperature.

<DHW recharge>

Select the amount of DHW tank. If you need much hot water, select LARGE, but increase operating costs.

Return to the DHW/legionella prevention menu.

5 Hydrobox

Legionella Prevention Mode settings (LP mode)

1. Use button F3 to choose legionella mode active YES/NO.
2. To edit the legionella function, press down the MENU button for 3 seconds and select "hot water", then press F4 key.
3. Use F1 and F2 keys to scroll through the menu selecting each subtitle in turn by pressing CONFIRM. See the table below for description of each setting.
4. Enter the desired number using the function keys and press CONFIRM.

During Legionella Prevention Mode the temperature of the stored water is increased above 60°C to inhibit legionella bacteria growth. It is strongly recommended that this is done at regular intervals. Please check local regulations for the recommended frequency of heat ups.

Please note that LP mode uses the assistance of electric heaters to supplement the energy input of the heat pump. Heating water for long periods of time is not efficient and will increase running costs. The installer should give careful consideration to the necessity of legionella prevention treatment whilst not wasting energy by heating the stored water for excessive time periods. The end user should understand the importance of this feature.
ALWAYS COMPLY WITH LOCAL AND NATIONAL GUIDANCE FOR YOUR COUNTRY REGARDING LEGIONELLA PREVENTION.

Note: When failures occur on the indoor unit, the LP mode may not function normally.

Menu subtitle	Function	Range	Unit	Default value
Hot water temp.	Desired temp. of stored hot water	60 – 70	°C	65
Frequency	Time between LP mode DHW tank heat up	1 – 30	day	15
Start time	Time when LP mode will begin	0:00 – 23:00	-	03:00
Max. operation time	Maximum time allowed for LP mode DHW tank heat	1 – 5	hour	3
Duration of max. temp.	The time period after LP mode desired water temp. has been reached	1 – 120	min	30

Heating/Cooling

The heating/cooling menus deal with space heating/cooling using normally either a radiator, fan-coil, or underfloor heating/cooling system depending on the installation.

There are 3 heating modes

- Heating room temp. (Auto adaptation) (🏠)
- Heating flow temp. (💧)
- Heating compensation curve (📈)
- Cooling flow temp. (💧)

<Room temp. (Auto adaptation) mode>

In room temp. (Auto adaptation) mode the controller uses temperature sensors around the heating system to monitor space and flow temperatures. This data is regularly updated and compared to previous data by the controller to predict changes in room temperature and adjust the temperature of water flowing to the space heating circuit accordingly.

By monitoring not only the outdoor ambient, but the room and heating circuit water temperatures, the heating is more consistent and sudden spikes in required heat output are reduced. This results in a lower overall flow temperature being required.

<Flow temp. mode>

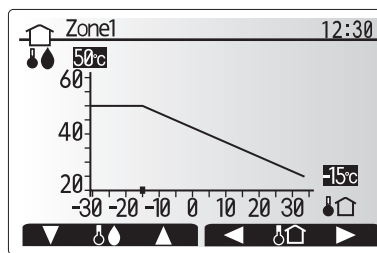
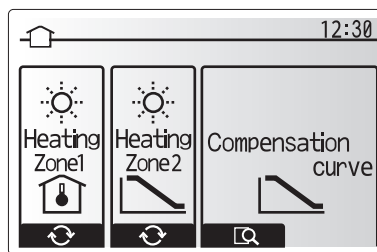
The temperature of the water flowing to the heating circuit is set by the installer to best suit the space heating/cooling system design, and user's desired requirements.

Explanation of compensation curve

During late spring and summer usually the demand for space heating is reduced. To prevent the heat pump from producing excessive flow temperatures for the primary circuit the compensation curve mode can be used to maximise efficiency and reduce running costs.

The compensation curve is used to restrict the flow temperature of the primary space heating circuit dependent on the outdoor temperature. The FTC uses information from both an outdoor temperature sensor and a temperature sensor on the primary circuit supply to ensure the heat pump is not producing excessive flow temperatures if the weather conditions do not require it.

Your installer will set the parameters of the graph depending on local conditions and type of space heating used in your home. It should not be necessary for you to alter these settings. If however you find that over a reasonable operating period the space heating is not heating or is overheating your home, please contact your installer so they can check your system for any problems and update these settings if necessary.



💧 : Flow temp.
 🏠 : Outdoor ambient temp.

5 Hydrobox

7 Schedule timer

Scheduled timer can be set in two ways, for example; one for summer and the other for winter. (Refer to as "Schedule 1" and "Schedule 2" respectively.) Once the term (months) for the Schedule 2 is specified, rest of the term will be specified as Schedule 1. In each Schedule, an operational pattern of modes (Heating/Cooling/DHW) can be set. If no operational pattern is set for Schedule 2, only the pattern for Schedule 1 will be valid. If Schedule 2 is set to full-year (i.e. March to Feb.), only the operational pattern for Schedule 2 will be valid.

The schedule timer is activated or deactivated in the option screen. (See 'General Operation' section)

<Setting the Schedule period>

1. From the main settings menu use F2 and F3 to highlight the schedule icon then press CONFIRM.
2. The Schedule period preview screen is displayed.
3. To change the Schedule period, press F4. button.
4. The time bar edit screen is displayed.
5. Use F2/F3 button to point at a starting month of the Schedule 2, then press CONFIRM.
6. Use F2/F3 button to point at an ending month of the Schedule 2, then press CONFIRM.
7. Press F4 to save settings.

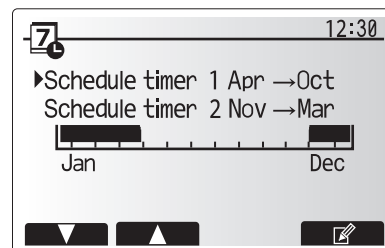
<Setting the Schedule timer>

1. From the main settings menu use F2 and F3 to highlight the schedule icon then press CONFIRM.
2. From the Schedule 2 period preview screen use F1 and F2 to scroll through the selecting each subtitle in turn by pressing CONFIRM.
3. The schedule timer sub menu will be displayed. The icons show the following modes;
 - Heating
 - Cooling
 - DHW
4. Use F2 and F3 buttons to move between mode icons press CONFIRM to be shown the PREVIEW screen for each mode.

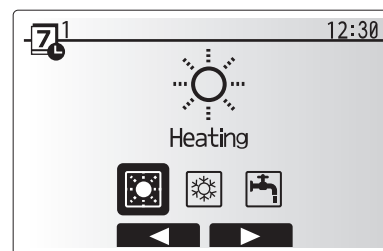
The preview screen allows you to view the current settings. In 2-zone heating/cooling operation, press F1 to switch between Zone1 and Zone2. Days of the week are displayed across the top of the screen. Where day appears underlined the settings are the same for all those days underlined. Hours of the day and night are represented as a bar across the main part of the screen. Where the bar is solid black, space heating/cooling and DHW (whichever is selected) is allowed.

5. In the preview menu screen press F4 button.

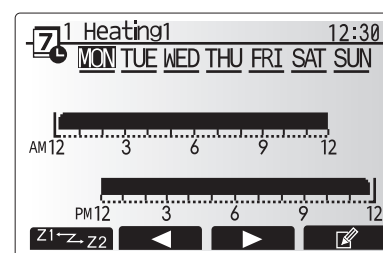
6. First select the days of the week you wish to schedule.
7. Press F2/F3 buttons to move between days and F1 to check or uncheck the box.
8. When you have selected the days press CONFIRM.



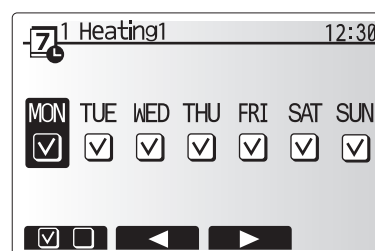
Schedule 2 period preview screen



Schedule 1 mode select screen



Preview screen



Day of week select screen

5 Hydrobox

9. The time bar edit screen will be displayed.
10. Use buttons F2/F3 to move to the point at which you do not want the selected mode to be active press CONFIRM to start.
11. Use F3 button to set the required time of inactivity then press CONFIRM.
12. You can add up to 4 periods of inactivity within a 24 hour interval.

13. Press F4 to save settings.

When scheduling heating, button F1 changes the scheduled variable between time and temperature. This enables a lower temperature to be set for a number of hours e.g. a lower temperature may be required at night when the occupants are sleeping.

Notes:

- The schedule timer for space heating/cooling and DHW are set in the same way. However for DHW only time can be used as scheduling variable.
- A small rubbish bin character is also displayed choosing this icon will delete the last unsaved action.
- It is necessary to use the SAVE function F4 button to save settings. CONFIRM does NOT act as SAVE for this menu.

Holiday mode

Holiday mode can be used to keep the system running at lower flow temperatures and thus reduced power usage whilst the property is unoccupied. Holiday mode can run either flow temp., room temp., heating, compensation curve heating and DHW all at reduced flow temperatures to save energy if the occupier is absent.

From the main menu screen press button E should be pressed. Be careful not to hold down button E for too long as this will turn off the controller and system.

Once the holiday mode activation screen is displayed you can activate/deactivate and select the duration that you would like holiday mode to run for.

- Press button F1 to activate or deactivate holiday mode.
- Use buttons F2, F3 and F4 to input the date which you would like holiday mode to activate or deactivate holiday mode for space heating.

<Editing holiday mode>

Refer to the menu tree in "Main remote controller" of Installation Manual. Should you require the Holiday mode settings e.g. the flow temp., room temp. to be altered you should contact your installer.

Initial Settings

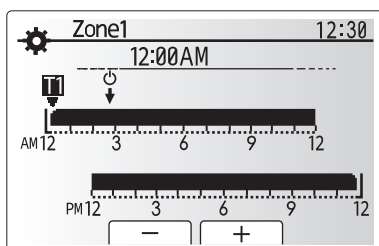
From the Initial settings menu the installer can set the following.

- Date/Time *Be sure to set it to the local standard time.
- Language
- Summer time
- Temp. display
- Contact number
- Time display
- °C/°F
- Room sensor settings

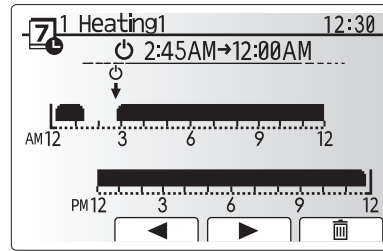
Follow the procedure described in General Operation for the set up operation.

<Room sensor settings>

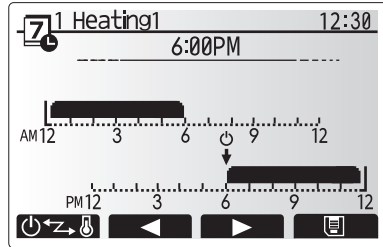
For room sensor settings it is important to choose the correct room sensor depending on the heating mode the system will operate in.



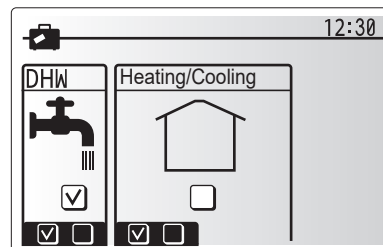
Time/Zone schedule setting screen



Time of period setting screen 1



Time of period setting screen 2



Menu subtitle	Description																				
Room RC zone select	When 2-zone temperature control is active and wireless remote controllers are available, from Room RC zone select screen, select zone no. to assign to each main remote controller.																				
Sensor setting	From sensor setting screen, select a room sensor to be used for monitoring the room temperature from Zone1 and Zone2 separately. <table border="1" style="width: 100%; margin-top: 10px;"> <thead> <tr> <th rowspan="2">Control option (Section 5.7.1)</th> <th colspan="2">Corresponding initial settings room sensor</th> </tr> <tr> <th>Zone1</th> <th>Zone2</th> </tr> </thead> <tbody> <tr> <td>A</td> <td>Room RC 1-8 (one each for Zone1 and Zone2)</td> <td>*1</td> </tr> <tr> <td>B</td> <td>TH1</td> <td>*1</td> </tr> <tr> <td>C</td> <td>Main remote controller</td> <td>*1</td> </tr> <tr> <td>D</td> <td>*1</td> <td>*1</td> </tr> <tr> <td>When different room sensors are used according to the time schedule</td> <td>Time/ Zone*2</td> <td>*1</td> </tr> </tbody> </table> <p>*1. Not specified (if a locally-supplied room thermostat is used) Room RC 1-8 (one each for Zone1 and Zone2) (if a wireless remote controller is used as a room thermostat)</p> <p>*2. From sensor setting screen, select Time/Zone to make it possible to use different room sensors according to the time schedule set in the Select Time/ Zone menu. The room sensors can be switched up to 4 times within 24 hours.</p>	Control option (Section 5.7.1)	Corresponding initial settings room sensor		Zone1	Zone2	A	Room RC 1-8 (one each for Zone1 and Zone2)	*1	B	TH1	*1	C	Main remote controller	*1	D	*1	*1	When different room sensors are used according to the time schedule	Time/ Zone*2	*1
Control option (Section 5.7.1)	Corresponding initial settings room sensor																				
	Zone1	Zone2																			
A	Room RC 1-8 (one each for Zone1 and Zone2)	*1																			
B	TH1	*1																			
C	Main remote controller	*1																			
D	*1	*1																			
When different room sensors are used according to the time schedule	Time/ Zone*2	*1																			

5 Hydrobox

Service Menu

The service menu provides functions for use by installer or service engineer. It is NOT intended the home owner alters settings within this menu. It is for this reason password protection is required to prevent unauthorised access to the service settings.

The factory default password is "0000".

Follow the procedure described in General Operation for the set up operation.

Many functions can not be set whilst the indoor unit is running. The installer should turn off the unit before trying to set these functions. If the installer attempts to change the settings whilst the unit is running the main remote controller will display a reminder message prompting the installer to stop operation before continuing. By selecting "Yes" the unit will cease operation.

<Manual operation>

During the filling of the system the primary circuit circulation pump and 3-way valve can be manually overridden using manual operation mode.

When manual operation is selected a small timer icon appears in the screen.

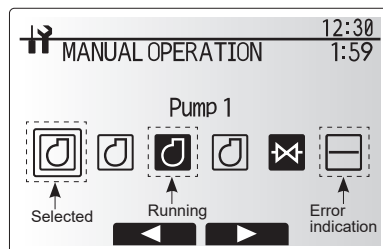
When selected, this function will only remain in manual operation for a maximum of 2 hours. This is to prevent accidental permanent override of the FTC.

► Example

Pressing F3 button will switch manual operation mode ON for the main 3-way valve. When filling of the DHW tank is complete the installer should access this menu again and press F3 to deactivate manual operation of the part.

Alternatively after 2 hours manual operation mode will no longer be active and FTC can resume control of the indoor unit.

Manual operation and heat source setting can not be selected if the system is running. A screen will be displayed asking the installer to stop the system before these modes can be activated.
The system automatically stops 2 hours after last operation.



Manual operation menu screen

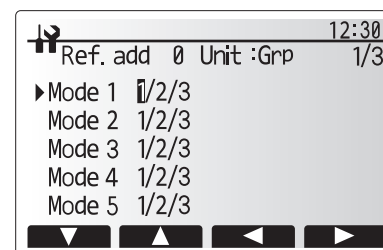
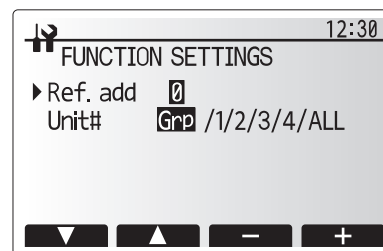
<Function settings>

Function Setting allows the setting of auto recovery after power failure and of smart grid ready.

1. From the service menu use F1 and F2 to highlight Function Setting.
2. Press CONFIRM.
3. Ensure the Ref address and unit number are displayed to the right.
4. Press CONFIRM.
5. Use F3 and F4 to highlight either 1/2/3 (see below).
6. Press CONFIRM.

Setting	Unit	Mode	Number
Auto recovery after power failure	Grp	Mode1	1 - Inactive 2 - Active *1 3 - NO FUNCTION

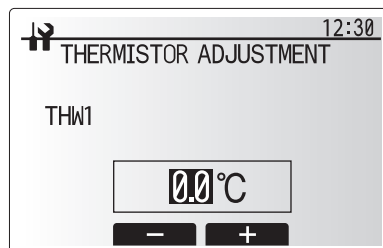
*1 Approx. 4-minute delay after power is restored.



<Thermistor adjustment>

This function allows adjustments to be made to the thermistor readings from -10 to 10°C in 0.5°C intervals.

- THW1: Thermistor (Flow water temp.)
- THW2: Thermistor (Return water temp.)
- THW5B: Thermistor (DHW tank water temp.)(Option)
- THW6: Thermistor (Zone1 flow temp.)(Option)
- THW7: Thermistor (Zone1 return temp.)(Option)
- THW8: Thermistor (Zone2 flow temp.)(Option)
- THW9: Thermistor (Zone2 return temp.)(Option)
- THW10: Thermistor (Mixing tank water temp.)
- THWB1: Thermistor (Boiler flow temp.)(Option)



5 Hydrobox

<Auxiliary settings>

This function is used to set the parameters for any auxiliary parts used in the system

Menu subtitle	Function/Description
Economy settings for pump	Water pump stops automatically in certain period of time from when operation is finished.
Delay	Time before pump switched off *1
Electric heater (Heating)	To select "WITH booster heater (ON)" or "WITHOUT booster heater (OFF)" in Heating mode.
Delay	The minimum time required for the booster heater to turn ON from after Heating mode has started.
Electric heater (DHW)	To select "WITH (ON)" or "WITHOUT (OFF)" booster heater or immersion heater individually in DHW mode.
Delay	The minimum time required for the booster heater or immersion heater to turn ON from after DHW mode has started. (This setting is applied for both booster and immersion heater.)
Mixing valve control *2	Running: Period from valve fully open (at a hot water mixing ratio of 100%) to valve fully closed (at a cold water mixing ratio of 100%)
Interval	Interval (min.) to control the Mixing valve.
Flow sensor *3	Minimum: The minimum flow rate to be detected at Flow sensor.
Maximum	The maximum flow rate to be detected at Flow sensor.

*1 Decreasing "time before pump switched off" may increase the duration of stand-by in Heating/Cooling mode.

*2 Set the Running time according to the specifications of the actuator of each mixing valve. It is recommended to set the interval to 2 minutes that is a default value. With the interval set longer, it could take longer to warm up a room.

*3 Do not change the setting since it is set according to the specification of Flow sensor attached to the hydrobox.

Economy settings for pump

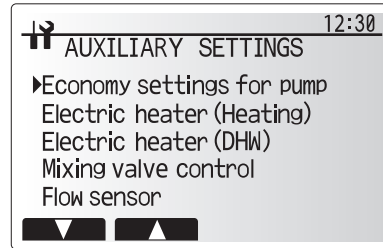
1. From the Auxiliary settings menu, highlight Economy Settings for water circulation pump.
2. Press CONFIRM.
3. The economy settings for water circulation pump screen is displayed.
4. Use button F1 to switch the economy settings ON/OFF.
5. Use buttons F3 and F4 to adjust the time the water circulation pump will run. (3-60 minutes)

Electric heater (Heating)

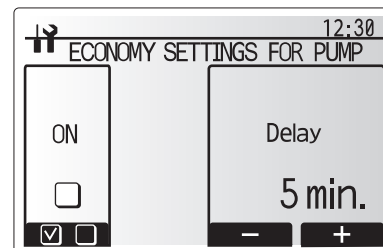
1. From the Auxiliary settings menu, highlight Electric heater (Heating).
2. Press CONFIRM.
3. The Electric heater (Heating) screen is displayed.
4. Press F1 button to switch the function ON/OFF.
5. Use F3 and F4 buttons to adjust the time period of heat pump only operation before the booster heater will assist in space heating. (5-180 minutes)

Electric heater (DHW)

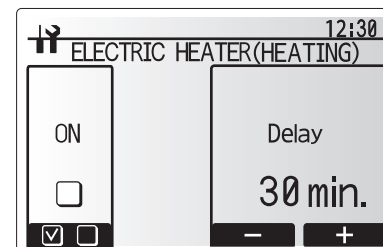
1. From the Auxiliary settings menu, highlight Electric heater (DHW).
2. Press CONFIRM.
3. The Electric heater (DHW) screen is displayed.
4. Press F1 button to switch the function ON/OFF.
5. Use F3 and F4 buttons to adjust the time period of heat pump only operation before the booster heater and the immersion heater (if present) will assist in DHW heating. (15-30 minutes)



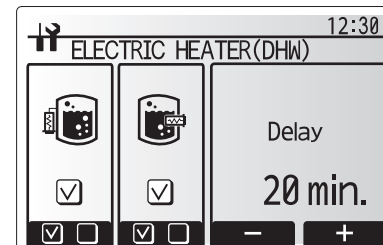
Auxiliary settings menu screen



Economy settings for pump screen



Electric heater (Heating) screen



Electric heater (DHW) screen

5 Hydrobox

Mixing valve control

1. From the Auxiliary settings menu, highlight Mixing valve control.
2. Press CONFIRM.
3. The Mixing valve control screen is displayed.
4. Use F1 and F2 buttons to set Running time between 10 to 240 seconds. The Running time equals to a period from full open of the valve (at a hot water mixing ratio of 100%) to full close (at a cold water mixing ratio of 100%).

Note: Set the Running time according to the specifications of the actuator of each mixing valve.

1. From the Auxiliary settings menu, highlight Mixing valve control.
2. Press CONFIRM.
3. The Mixing valve control screen is displayed.
4. Press F3 and F4 buttons to set the interval between 2-zone temperature controls of the mixing valve between 1 to 30 minutes.

Note: It is recommended to set the interval to 2 minutes that is a default value. With the interval set longer, it could take longer to warm up a room.

Flow sensor

1. From the Auxiliary settings menu, highlight Flow sensor.
 2. Press CONFIRM.
 3. Press F3 or F4 buttons to select a refrigerant address of which you wish to configure or check the settings, and press CONFIRM. *1
 4. The Flow sensor screen is displayed.
 5. Use F1 and F2 buttons to set the minimum flow rate of flow sensor between 0 to maximum L/min.
 6. Use F1 and F2 buttons to set the maximum flow rate of flow sensor between minimum to 100L/min.
- *1 For multiple outdoor units control system only.

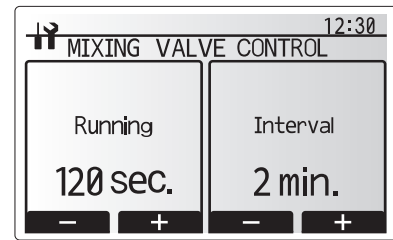
Note: Do not change the setting since it is set according to the specification of Flow sensor attached to the hydrobox.

<Heat source setting>

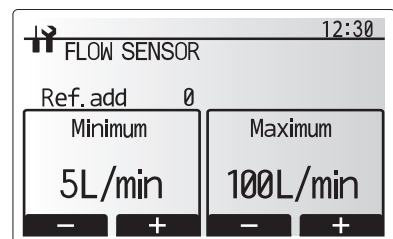
The default heat source setting is heat pump and all electric heaters present in the system to be operational. This is referred to as Standard operation on the menu.

<Pump speed>

1. From the Service menu, highlight Pump speed.
 2. Press CONFIRM.
 3. Press F3 and F4 buttons to select a refrigerant address of which you wish to configure or check the settings, and press CONFIRM. *1
 4. The Pump speed screen is displayed.
 5. Use F1 and F2 buttons to set the pump speed (1 to 5) of DHW operation.
 6. Use F3 and F4 buttons to set the pump speed (1 to 5) of space heating(cooling) operation.
- *1 For multiple outdoor units control system only.



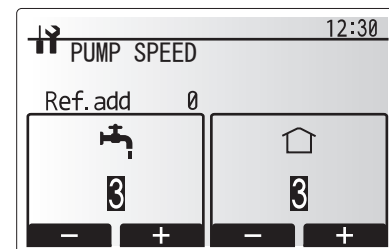
Mixing valve control setting screen



Flow sensor setting screen



Heat source setting screen



Pump speed setting screen

5 Hydrobox

<Operation settings>

Heating operation

This function allows operational setting of flow temperature range from the Ecodan and also the time interval at which the FTC collects and processes data for the auto adaptation mode.

Menu subtitle		Function	Range	Unit	Default
Flow temp. range	Minimum temp.	To minimize the loss by frequent ON and OFF in mild outdoor ambient temperature seasons.	20 to 45	°C	30
	Maximum temp.	To set max. possible flow temperature according to the type of heat emitters.	35 to 60	°C	50
Room temp. control	Mode	Setting for Room temp. control At Fast mode, target outlet water temperature is set higher than the one set at normal mode. This reduces the time to reach the target room temperature when the room temperature is relatively low.*1	Normal/ Fast	—	Normal
	Interval	Selectable according to the heat emitter type and the materials of floor (i.e. radiators, floor heating-thick, -thin concrete, wood, etc.)	10 to 60	min	10
Heat pump thermo diff.adjust	ON/OFF	To minimize the loss by frequent ON and OFF in mild outdoor ambient temperature seasons.	ON/OFF	—	ON
	Lower limit	Prohibits heat pump operation until the flow temperature drops below the target flow temperature plus lower limit value.	-9 to -1	°C	-5
	Upper limit	Allows heat pump operation until the flow temperature rises above the target flow temperature plus upper limit value.	+3 to +5	°C	+5

< Heating operation (Room temp. control) >

Note:

1. The minimum flow temperature that prohibits heat pump operation is 20°C.
2. The maximum flow temperature that allows heat pump operation equals to the maximum temperature set in the Flow temp. range menu.

*1 Fast mode is not efficient and will increase running cost compared to normal mode.

Freeze stat function

Menu subtitle	Function/Description
Freeze stat function *2	An operational function to prevent the water circuit from freezing when outdoor ambient temperature drops.
Flow t.	The target outlet water temperature at water circuit when operating in Freeze stat function.*3
Outdoor ambient temp.	Minimum outdoor ambient temperature which freeze stat function will begin to operate, (3-20°C) or choose**. If asterisk (**) is chosen freeze stat function is deactivated. (i.e. primary water freeze risk)

*2 When the system is turned off, freeze stat function is not enabled.

*3 Flow t. is fixed to 20°C and unchangeable.

Simultaneous Operation

For periods of very low outside temperature, this mode can be used. Simultaneous operation allows both DHW and space heating to run together by using the heat pump and/or booster heater to provide space heating whilst only the immersion heater provides heating for DHW. This operation is only available if BOTH a DHW tank AND immersion heater are present on the system.

- Range of outdoor ambient temperature at which simultaneous operation starts is -30 to 10°C (default -15°C).
- System shall automatically return to routine operation. This will happen when the outdoor ambient temperature rises above the selected temperature for this specific mode of operation.

Cold weather function

For extremely low outdoor ambient temperature conditions when the heat pump's capacity is restricted, the heating or DHW is provided only by the electric booster heater (and immersion if present). This function is intended for use during extreme cold periods only. Extensive use of direct electrical heaters ONLY will result in higher power consumption and may reduce working life of heaters and related parts.

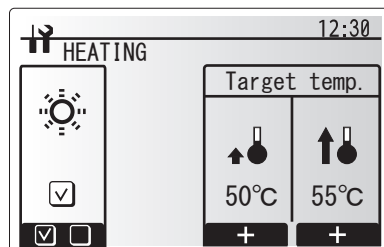
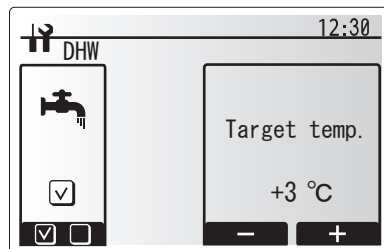
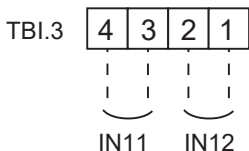
- Range of outdoor ambient temperature at which cold weather function starts is -30 to -10°C (default -15°C).
- System shall automatically return to routine operation. This will happen when the outdoor ambient temperature rises above the selected temperature for this specific mode of operation.

5 Hydrobox

Smart grid ready

In DHW or heating operation, the commands in the table below can be used.

IN11	IN12	Meaning
OFF (open)	OFF (open)	Normal operation
ON (short)	OFF (open)	Switch-on recommendation*1
OFF (open)	ON (short)	Switch-off command
ON (short)	ON (short)	Switch-on command*2



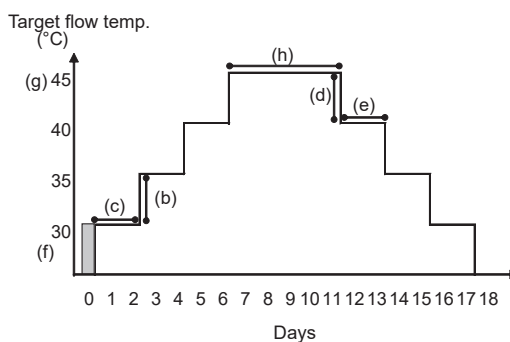
Floor dry up function

The Floor dry up function automatically changes the target hot water temperature in stages to gradually dry concrete when this particular type of underfloor heating system is installed.

Upon completion of the operation the system stops all the operations except the Freeze stat. operation.

For Floor dry up function, the target flow temp. of Zone1 is the same as that of Zone2.

- This function is not available when a PUHZ-FRP outdoor unit is connected.
- Disconnect wiring to external inputs of room thermostat, demand control, and outdoor thermostat, or the target flow temperature may not be maintained.



Functions	Symbol	Description	Option/Range	Unit	Default
Floor dry up function	a	Set the function to ON and power on the system using the main remote controller, and the dry up heating operation will start.	On/Off	—	Off
Flow temp. (increase)	b	Flow temp. increase step	+1 to +10	°C	+5
	c	Increase interval	1 to 7	day	2
Flow temp. (decrease)	d	Flow temp. decrease step	-1 to -10	°C	-5
	e	Decrease interval	1 to 7	day	2
Target temperature	f	Start & Finish	20 to 60	°C	30
	g	Max. target temp.	20 to 60	°C	45
	h	Max. temp. period	1 to 20	day	5

<Password protection>

Password protection is available to prevent unauthorised access to the service menu by untrained persons.

Resetting the password

If you forget the password you entered, or have to service a unit somebody else installed, you can reset the password to the factory default of **0000**.

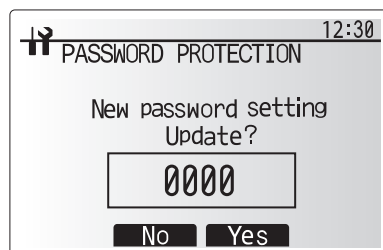
1. From the main settings menu scroll down the functions until Service Menu is highlighted.
2. Press CONFIRM.
3. You will be prompted to enter a password.
4. Hold down buttons F3 and F4 together for 3 seconds.
5. You will be asked if you wish to continue and reset the password to default setting.
6. To reset press button F3.
7. The password is now reset to **0000**.

<Manual reset>

Should you wish to restore the factory settings at any time you should use the manual reset function. Please note this will reset ALL functions to the factory default settings.



Password input screen



Password verify screen

5 Hydrobox

Energy monitor

End user can monitor accumulated*1 'Consumed electrical energy' and 'Delivered heat energy' in each operation mode*2 on the main remote controller.

*1 Monthly and Year to date

*2 - DHW operation

- Space heating
- Space cooling

Refer to "5.7.2 Main remote controller" for how to check the energy, and "5.3 DIP switch functions" for the details on DIP-SW setting.

Either one of the following two method is used for monitoring.

Note: Method 1 should be used as a guide. If a certain accuracy is required, method 2 should be used.

1. Calculation internally [method 1]

Electricity consumption is calculated internally based on the energy consumption of outdoor unit, electric heater, water pump(s) and other auxiliaries. (*1)

Delivered heat is calculated internally by multiplying delta T (Flow and Return temp.) and flow rate measured by the factory fitted sensors.

Set the electric heater capacity and water pump(s) input according to indoor model name and specs of additional pump(s) supplied locally. (Refer to the menu tree in "5.7.2 Main remote controller")

	Booster heater1	Booster heater2	Pump1 * 2	Pump2	Pump3
Default	2 kW	4 kW	*** (factory fitted pump)	0 kW	0 kW
EHSD-MED	0 kW	0 kW	***	When additional pumps supplied locally are connected as Pump2/3, change setting according to specs of the pumps.	
EHSD-VM2D	2 kW	0 kW	***		
EHSD-VM6D	2 kW	4 kW	***		
EHSD-YM9D	3 kW	6 kW	***		
EHSD-YM9ED	3 kW	6 kW	***		
EHSD-TM9D	3 kW	6 kW	***		
EHSC-MED	0 kW	0 kW	***		
EHSC-VM2D	2 kW	0 kW	***		
EHSC-VM6D	2 kW	4 kW	***		
EHSC-YM9D	3 kW	6 kW	***		
EHSC-YM9ED	3 kW	6 kW	***		
EHSC-TM9D	3 kW	6 kW	***		
ERSD-VM2D	2 kW	0 kW	***		
ERSD-VM6D	2 kW	4 kW	***		
ERSD-YM9D	3 kW	6 kW	***		
ERSC-MED	0 kW	0 kW	***		
ERSD-MED	0 kW	0 kW	***		
ERSC-VM2D	2 kW	0 kW	***		
ERSC-VM6D	2 kW	4 kW	***		
ERSC-YM9D	3 kW	6 kW	***		
EHSE-MED	0 kW	0 kW	***		
EHSE-YM9ED	3 kW	6 kW	***		
ERSE-MED	0 kW	0 kW	***		
ERSE-YM9ED	3 kW	6 kW	***		
EHPX-MED	0 kW	0 kW	***		
EHPX-VM2D	2 kW	0 kW	***		
EHPX-VM6D	2 kW	4 kW	***		
EHPX-YM9D	3 kW	6 kW	***		
EHPX-YM9ED	3 kW	6 kW	***		
ERPX-MD	0 kW	0 kW	***		
ERPX-VM2D	2 kW	0 kW	***		
ERPX-VM6D	2 kW	4 kW	***		
ERPX-YM9D	3 kW	6 kW	***		

<Table 5.7.1>

*1 When the hydrobox is connected with a PUHZ-FRP or PUMY models, electricity consumption is not calculated internally. To display the electricity consumption, conduct method 2.

*2 "****" displayed in the energy monitor setting mode means the factory fitted pump is connected as Pump 1 so that the input is automatically calculated.

When anti-freeze solution (propylene glycol) is used for primary water circuit, set the delivered energy adjustment if necessary.

For further detail of above, refer to "5.7.2 Main remote controller".

2. Actual measurement by external meter [method 2] (locally supplied)

FTC has external input terminals for 2 'Electric energy meters' and a 'Heat meter'.

If two 'Electric energy meters' are connected, the 2 recorded values will be combined at the FTC and shown on the main remote controller.

(e.g. Meter 1 for H/P power line, Meter 2 for heater power line)

Refer to the [Signal inputs] section in "5.4.2 Connecting inputs/outputs" for more information on connectable electric energy meter and heat meter.

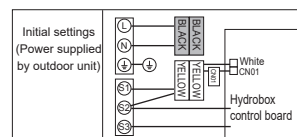
5 Hydrobox

5.8. Service and Maintenance

The indoor hydrobox must be serviced **once a year** by a qualified individual. Servicing and maintenance of the outdoor unit should only be done by a Mitsubishi Electric trained technician with relevant qualifications and experience. Any electrical work should be done by a tradesperson with the appropriate electrical qualifications. Any maintenance or 'DIY' fixes done by a non-accredited person could invalidate the Warranty and/or result in damage to the hydrobox and injury to the person.

Basic Troubleshooting

No.	Fault symptom	Possible cause	Explanation - Solution
1	Main remote controller display is blank.	<ol style="list-style-type: none"> There is no power supply to main remote controller. Power is supplied to main remote controller, however, the display on the main remote controller does not appear. 	<ol style="list-style-type: none"> Check LED2 on FTC. (See "5.2 Wiring diagrams".) <ol style="list-style-type: none"> When LED2 is lit. Check for damage or contact failure of the main remote controller wiring. When LED2 is blinking. Refer to No. 5 below. When LED2 is not lit. Refer to No. 4 below. Check the following: <ul style="list-style-type: none"> Disconnection between the main remote controller cable and the FTC control board Failure of the main remote controller if "Please Wait" is not displayed. Refer to No. 2 below if "Please Wait" is displayed.
2	"Please Wait" remains displayed on the main remote controller.	<ol style="list-style-type: none"> "Please Wait" is displayed for up to 6 minutes. Communication failure between the main remote controller and FTC Communication failure between FTC and outdoor unit 	<ol style="list-style-type: none"> Normal operation, no action necessary. 3. Main remote controller start up checks/procedure <ol style="list-style-type: none"> If "0%" or "50–99%" is displayed below "Please Wait" there is a communication error between the main remote controller and the FTC control board. <ul style="list-style-type: none"> Check wiring connections on the main remote controller. Replace the main remote controller or the FTC control board. If "1–49%" is displayed there is a communication error between the outdoor unit's and FTC's control boards. <ul style="list-style-type: none"> Check the wiring connections on the outdoor unit control board and the FTC control board. (Ensure S1 and S2 are not cross-wired and S3 is securely wired with no damage. See "5.4 Field wiring".) Replace the outdoor unit's and/or the FTC's control boards.
3	The main screen appears with a press of the "ON" button, but disappears in a second.	The main remote controller operations do not work for a while after the settings are changed in the service menu. This is because the system takes time to apply the changes.	<p>Normal operation, no action necessary.</p> <p>The indoor unit is applying updated settings made in the service menu. Normal operation will start shortly.</p>
4	LED2 on FTC is off. (See "5.2 Wiring diagrams".)	<p>When LED1 on FTC is also off. (See "5.2 Wiring diagrams".) <FTC powered via outdoor unit.></p> <ol style="list-style-type: none"> The outdoor unit is not supplied at the rated voltage. Defective outdoor controller circuit board FTC is not supplied with 220 to 240 V AC. FTC failure Faulty connector wiring 	<ol style="list-style-type: none"> Check the voltage across the terminals L and N or L3 and N on the outdoor power board. (See "5.4 Field wiring".) <ul style="list-style-type: none"> When the voltage is not 220 to 240 V AC, check wiring of the outdoor unit and of the breaker. When the voltage is at 220 to 240 V AC, go to "2." below. Check the voltage across the outdoor unit terminals S1 and S2. (See "5.4 Field wiring".) <ul style="list-style-type: none"> When the voltage is not 220 to 240 V AC, check the fuse on the outdoor control board and check for faulty wiring. When the voltage is 220 to 240 V AC, go to "3." below. Check the voltage across the indoor unit terminals S1 and S2. (See "5.4 Field wiring".) <ul style="list-style-type: none"> When the voltage is not 220 to 240 V AC, check FTC-outdoor unit wiring for faults. When the voltage is 220 to 240 V AC, go to "4." below. Check the FTC control board. <ul style="list-style-type: none"> Check the fuse on FTC control board. Check for faulty wiring. If no problem found with the wiring, the FTC control board is faulty. Check the connector wiring. <ul style="list-style-type: none"> When the connectors are wired incorrectly, re-wire the connectors referring to below. (See "5.4 Field wiring".)



5 Hydrobox

No.	Fault symptom	Possible cause	Explanation - Solution
4	LED2 on FTC is off. (See "5.2 Wiring diagrams".)	<FTC powered on independent source> 1. FTC is not supplied with 220 to 240 V AC. 2. There are problems in the method of connecting the connectors. 3. FTC failure	1. Check the voltage across the L and N terminals on the indoor power supply terminal block. (See "5.4 Field wiring".) • When the voltage is not 220 to 240 V AC, check for faulty wiring to power supply. • When the voltage is 220 to 240 V AC, go to 2. below. 2. Check for faulty wiring between the connectors. • When the connectors are wired incorrectly re-wire them correctly referring to below. (See "5.4 Field wiring". and a wiring diagram on the control and electrical box cover.) • If no problem found with the wiring, go to 3. below. 3. Check the FTC control board. • Check the fuse on FTC control board. • Check for faulty wiring. • If no problem found with the wiring, the FTC control board is faulty.
		When LED1 on FTC is lit. Incorrect setting of refrigerant address for outdoor unit (None of the refrigerant address is set to "0".)	Recheck the refrigerant address setting on the outdoor unit. Set the refrigerant address to "0". (Set refrigerant address using SW1(3-6) on outdoor controller circuit board.)
5	LED2 on FTC is blinking. (See "5.2 Wiring diagrams".)	When LED1 is also blinking on FTC . Faulty wiring between FTC and outdoor unit	Check for faulty wiring between FTC and outdoor unit.
		When LED1 on FTC is lit. 1. Faulty wiring in main remote controller Multiple indoor units have been wired to a single outdoor unit. 2. Short-circuited wiring in main remote controller 3. Main remote controller failure	1. Check for faulty wiring in main remote controller. The number of indoor units that can be wired to a single outdoor unit is one. Additional indoor units must be wired individually to a single outdoor unit. 2,3. Remove main remote controller wires and check LED2 on FTC. (See Figure 5.4.7) • If LED2 is blinking check for short circuits in the main remote controller wiring. • If LED2 is lit, wire the main remote controller again and: - if LED2 is blinking, the main remote controller is faulty; - if LED2 is lit, faulty wiring of the main remote controller has been corrected.
6	LED4 on FTC is off. (See "5.2 Wiring diagrams".)	1. SD memory card is NOT inserted into the memory card slot with correct orientation. 2. Not an SD standards compliant memory card	1. Correctly insert SD memory card in place until a click is heard. 2. Use an SD standards compliant memory card. (Refer to section 5.4.5 in installation manual)
	LED4 on FTC is blinking. (See "5.2 Wiring diagrams".)	1. Full of data 2. Write-protected 3. NOT formatted 4. Formatted in NTFS file system	1. Move or delete data, or replace SD memory card with a new one. 2. Release the write-protect switch. 3. Refer to "5.4.5 Using SD memory card" in installation manual. 4. FTC is Not compatible with NTFS file system. Use an SD memory card formatted in FAT file system.
7	No water at hot tap.	1. Cold main off 2. Strainer (local supply) blocked	1. Check and open stop cock. 2. Isolate water supply and clean strainer.
8	Cold water at tap.	1. Hot water run out. 2. Prohibit, schedule timer or holiday mode selected or demand control input (IN4) or smart grid ready (switch-off command). 3. Heat pump not working 4. Booster heater cut-out tripped.	1. Ensure DHW mode is operating and wait for DHW tank to re-heat. 2. Check settings and change as appropriate. 3. Check heat pump – consult outdoor unit service manual. 4. Check booster heater thermostat and press reset button if safe. Reset button is located on the side of booster heater, covered with white rubber cap. See "5.5.1 Component parts" to find out its position. 5. Check the cause and reset if safe.
		5. The earth leakage circuit breaker for booster heater breaker (ECB1) tripped. 6. The booster heater thermal cut-out has tripped and cannot be reset using the manual reset button. 7. Immersion heater cut-out tripped. 8. Immersion heater breaker (ECB2) tripped. 9. 3-way valve fault	6. Check resistance across the thermal cut-out, if open then the connection is broken and the booster heater will have to be replaced. Contact your Mitsubishi Electric dealer. 7. Check immersion heater thermostat and press reset button, located on immersion heater boss, if safe. If the heater has been operated with no water inside it may have failed, so please replace it with a new one. 8. Check the cause and reset if safe. 9. Check plumbing/wiring to 3-way valve. (i) Manually override 3-way valve using the main remote controller. (Refer to <Manual operation> in section "5.7 System setup".) If the valve does not still function, go to (ii) below. (ii) Replace 3-way valve.

5 Hydrobox

No.	Fault symptom	Possible cause	Explanation - Solution
9	Water heating takes longer.	<ol style="list-style-type: none"> Heat pump not working Booster heater cut-out tripped. Booster heater breaker (ECB1) tripped. The booster heater thermal cut-out has tripped and cannot be reset using the manual reset button. Immersion heater cut-out has been triggered. Immersion heater breaker (ECB2) tripped. 	<ol style="list-style-type: none"> Check heat pump – consult outdoor unit service manual. Check booster heater thermostat and press reset button if safe. Reset button is located on the side of booster heater, covered with white rubber cap. See "5.5.1 Component parts" to find out its position. Check the cause and reset if safe. Check resistance across the thermal cut-out, if open then connection is broken and the booster heater will have to be replaced. Contact your Mitsubishi Electric dealer. Check immersion heater thermostat and press reset button if safe. If the heater kept running with no water inside, this may have resulted in failure, so replace it with a new one. Check the cause and reset if safe.
10	Temperature of DHW tank water dropped.	<p>When DHW operation is not running, the DHW tank emits heat and the water temperature decreases to a certain level. If water in the DHW tank is reheated frequently because of a significant drop in water temperature, check for the following.</p> <ol style="list-style-type: none"> Water leakage in the pipes that connect to the DHW tank Insulation material coming loose or off 3-way valve failure 	<ol style="list-style-type: none"> Take the following measures. <ul style="list-style-type: none"> Retighten the nuts holding the pipes onto the DHW tank. Replace seal materials. Replace the pipes. Fix insulation. Check plumbing/wiring to 3-way valve. <ol style="list-style-type: none"> Manually override 3-way valve using the main remote controller. (Refer to <Manual operation> in "5.7 System setup".) If the valve does not still function, go to (ii) below. Replace 3-way valve.
11	Hot or warm water from cold tap.	Heat of hot water pipe is transferred to cold water pipe.	Insulate/re-route pipework.
12	Water leakage	<ol style="list-style-type: none"> Poorly sealed connections of water circuit components Water circuit components reaching the end of life 	<ol style="list-style-type: none"> Tighten connections as required. Refer to PARTS CATALOG in the service manual for expected part lifetimes and replace them as necessary.
13	Heating system does not reach the set higher temperature.	<ol style="list-style-type: none"> Prohibit, schedule timer or holiday mode selected or demand control input (IN4) or smart grid ready (switch-off command). Check settings and change as appropriate. The temperature sensor is located in a room that has a different temperature relative to that of the rest of the house. Heat pump not working Booster heater cut-out tripped. Booster heater breaker (ECB1) tripped. The booster heater thermal cut-out tripped and cannot be reset using the manual reset button. Incorrectly sized heat emitter 3-way valve failure Battery problem (*wireless control only) If a mixing tank is installed, the flow rate between the mixing tank and the hydrobox is less than that between the mixing tank and the local system. 	<ol style="list-style-type: none"> Check settings and change as appropriate. Check the battery power and replace if flat. Relocate the temperature sensor to a more suitable room. Check heat pump – consult outdoor unit service manual. Check booster heater thermostat and press reset button if safe. Reset button is located on the side of booster heater, covered with white rubber cap. (See "5.5.1 Component parts" for position.) Check the cause of the trip and reset if safe. Check resistance across the thermal cut-out, if open then the connection is broken and the booster heater will have to be replaced. Contact your Mitsubishi Electric dealer. Check the heat emitter surface area is adequate. Increase size if necessary. Check plumbing/wiring to 3-way valve. Check the battery power and replace if flat. Increase the flow rate between the mixing tank and the hydrobox or decrease that between the mixing tank and the local system.
14	Heating system does not reach the set lower temperature.	The heating system operates according to the heating pressure to prevent the low pressure system from frequent switching (ON/OFF) of the compressor.	Normal operation, no action necessary.

5 Hydrobox

No.	Fault symptom	Possible cause	Explanation - Solution
15	In 2-zone temperature control, only Zone2 does not reach the set temperature.	<ol style="list-style-type: none"> When Zone1 and Zone2 are both in heating mode, the hot water temperature in Zone2 does not exceed that in Zone1. Faulty wiring of motorized mixing valve Faulty installation of motorized mixing valve Incorrect setting of Running time Motorized mixing valve failure 	<ol style="list-style-type: none"> Normal operation, no action necessary. Refer to "5.4.3 Wiring for 2-zone temperature control" in installation manual. Check for correct installation. (Refer to the manual included with each motorized mixing valve.) Check for correct setting of Running time. Inspect the mixing valve. (Refer to the manual included with each motorized mixing valve.)
16	When a PUHZ-FRP outdoor unit is connected, DHW or Heating operation cannot run.	The outdoor unit is set to have operation of the indoor unit of air conditioner take precedence over that of the hydrobox, and in the main remote controller settings "Electric heater (Heating)" or "Electric heater (DHW)" is turned off.	Turn ON Electric heater (Heating) or Electric heater (DHW) using the main remote controller.
17	When a PUHZ-FRP outdoor unit is connected and is in heat recovery operation, the set temperature is not reached.	When the outdoor unit is set to have cooling operation of the indoor unit of air conditioner take precedence over that of the hydrobox, the outdoor unit controls the frequency of the compressor according to the load of air conditioner. The DHW and heating run according to that frequency.	Normal operation, no action necessary. If Air-to-Water system is given priority in operation, comp Hz can be regulated depending on the load of DHW or Heating. For more details, refer to the PUHZ-FRP installation manual.
18	After DHW operation room temperature rises slightly.	At the end of the DHW mode operation the 3-way valve diverts hot water away from the DHW circuit into space heating circuit. This is done to prevent the hydrobox components from overheating. The amount of hot water directed into the space heating circuit varies according to the type of the system and of the pipe run between the plate heat exchanger and the hydrobox.	Normal operation, no action necessary.
19	The room temperature rises during DHW operation.	3-way valve failure	Check the 3-way valve.
20	Water discharges from pressure relief valve. (Primary circuit)	<ol style="list-style-type: none"> If continual – pressure relief valve may be damaged. If intermittent – expansion vessel charge may have reduced/bladder perished. 	<ol style="list-style-type: none"> Turn the handle on the pressure relief valve to check for foreign objects in it. If the problem is not still solved, replace the pressure relief valve with a new one. Check pressure in expansion vessel. Recharge to 1 bar if necessary. If bladder perished, replace expansion vessel with a new one.
21	Water discharges from pressure relief valve (field supplied item). (Sanitary circuit)	<ol style="list-style-type: none"> If continual – field supplied pressure reducing valve not working. If continual – pressure relief valve seat may be damaged. If intermittent – expansion vessel charge may have reduced/bladder perished. DHW tank may have subjected to backflow. 	<ol style="list-style-type: none"> Check function of pressure reducing valve and replace if necessary. Turn the handle on the pressure relief valve to check for foreign objects inside. If the problem is not still solved, replace the pressure relief valve. Check gas-side pressure in expansion vessel. Recharge to correct precharge pressure if necessary. If bladder perished, replace expansion vessel with a new one with appropriate pre-charge. Check the pressure in DHW tank. If pressure in DHW tank is similar to that in the incoming mains, cold water supply that merges with incoming mains water supply could flow back to DHW tank. Investigate source of back-feed and rectify error in pipework/fitting configuration. Adjust pressure in cold supply.
22	Noisy water circulation pump	Air in water circulation pump	Use manual and automatic air vents to remove air from system. Top up water if necessary to achieve 1 bar on primary circuit.
23	Noise during hot water draw off typically worse in the morning.	<ol style="list-style-type: none"> Loose airing cupboard pipework Heaters switching on/off 	<ol style="list-style-type: none"> Install extra pipe fastening clips. Normal operation, no action necessary.
24	Mechanical noise heard coming from the hydrobox.	<ol style="list-style-type: none"> Heaters switching on/off 3-way valve changing position between DHW and heating mode 	Normal operation, no action necessary.
25	Water circulation pump runs for a short time unexpectedly .	Water circulation pump jam prevention mechanism (routine) to inhibit the build-up of scale	Normal operation, no action necessary.
26	Milky/Cloudy water (Sanitary circuit)	Oxygenated water	Water from any pressurised system will release oxygen bubbles when water is running. The bubbles will settle out.
27	Heating mode has been on standby for a long time (does not start operation smoothly.)	The time of "Delay" set in "Economy settings for pump" is too short. (Go to "Service menu" → "Auxiliary settings" → "Economy settings for pump").	Increase the time of "Delay" in "Economy settings for pump" .

5 Hydrobox

No.	Fault symptom	Possible cause	Explanation - Solution																
28	The hydrobox that was running in the heating mode before power failure is running in the DHW mode after power recovery.	The hydrobox is designed to run in an operation mode with a higher priority (i.e. DHW mode in this case) at power recovery.	<ul style="list-style-type: none"> Normal operation, no action necessary. After the DHW max. operation time has elapsed or the DHW max. temperature has been reached, the DHW mode switches to the other mode (ex. Heating mode). 																
29	Cooling mode is NOT available.	DIP SW2-4 is OFF.	Turn DIP SW2-4 to ON. (Refer to "5.3 DIP switch functions".)																
30	The cooling system does not cool down to the set temperature.	<ol style="list-style-type: none"> When the water in the circulation circuit is unduly hot, Cooling mode starts with a delay for the protection of the outdoor unit. When the outdoor ambient temperature is lower than the preset temperature that activates the freeze stat. function, Cooling mode does not start running. 	<ol style="list-style-type: none"> Normal operation, no action necessary. To run Cooling mode overriding the freeze stat. function, adjust the preset temperature that activates the freeze stat. function. (Refer to <Freeze stat function> in "5.7 System setup".) 																
31	The electric heaters are activated shortly after DHW or LP mode starts running after Cooling mode.	The setting time period of Heat-pump-only operation is short.	Adjust the setting time period of Heat-pump only operation. (Refer to <Electric heater (DHW)> in "5.7 System setup".)																
32	During DHW or LP mode following the cooling mode, error L6 (circulation water freeze protection error) occurs and the system stops all the operations.	The unit runs in Cooling mode when the outdoor ambient temperature is lower than 10°C (outside of the guaranteed operating range). (When defrosting operation is running at such a low outdoor ambient temperature after Cooling mode is switched to DHW or LP mode, the water temperature in the cooling circuit drops too low, which could result in L6 error to stop all the operations.	<p>Do not run Cooling operation when the outdoor ambient temperature is lower than 10°C.</p> <p>To automatically stop or recover only Cooling operation and keep other operations running, the freeze stat. function can be used. Set the preset temperature that activates the freeze stat. function to adjust the outdoor ambient temperature as follows. (Refer to <Freeze stat function> in "5.7 System setup".)</p> <table border="1"> <thead> <tr> <th>Outdoor ambient temperature</th> <th>Cooling operation</th> </tr> </thead> <tbody> <tr> <td>3°C higher than the preset temperature</td> <td>Stop</td> </tr> <tr> <td>5°C higher than the preset temperature</td> <td>Recover</td> </tr> </tbody> </table>	Outdoor ambient temperature	Cooling operation	3°C higher than the preset temperature	Stop	5°C higher than the preset temperature	Recover										
Outdoor ambient temperature	Cooling operation																		
3°C higher than the preset temperature	Stop																		
5°C higher than the preset temperature	Recover																		
33	<p>The energy monitor value seems not correct.</p> <p>Note: There could be some discrepancies between the actual and the calculated values. If you seek for accuracy, please make sure to connect power meter(s) and heat meter to FTC board. Both should be locally supplied.</p>	<ol style="list-style-type: none"> Incorrect setting of the energy monitor Non-connectable type of external meter (local supply) is connected. External meter (local supply) failure FTC board failure 	<p>1. Check the setting by following the procedure below.</p> <p>(1) Check if the DIP switch is set as the table below.</p> <table border="1"> <thead> <tr> <th colspan="2">Consumed electric energy</th> <th colspan="2">Delivered heat energy</th> </tr> </thead> <tbody> <tr> <td>SW3-4</td> <td>Electric energy meter (Local supply)</td> <td>SW3-8</td> <td>Heat meter (Local supply)</td> </tr> <tr> <td>OFF</td> <td>Without</td> <td>OFF</td> <td>Without</td> </tr> <tr> <td>ON</td> <td>With</td> <td>ON</td> <td>With</td> </tr> </tbody> </table> <p>(2) In the case external electric energy meter and/or heat meter is not used, check if the setting for electric heater and water pump(s) input is correct by referring to <Energy monitor setting> in "5.7 System setup".</p> <p>(3) In the case external electric energy meter and/or heat meter is used, check if the unit of output pulse on external meter matches with the one set at the main remote controller by referring to <Energy monitor setting> in "5.7 System setup".</p> <ol style="list-style-type: none"> Check if the external meter (local supply) is connectable type by referring to <Energy monitor setting> in "5.7 System setup". Check if signal is sent to IN8 to IN10 properly. (Refer to "5.2 Wiring diagrams".) Replace the external heat meter if defective. Check the FTC control board. <ul style="list-style-type: none"> Check for faulty wiring. If no problem found with the wiring, the FTC control board is faulty. Replace the board. 	Consumed electric energy		Delivered heat energy		SW3-4	Electric energy meter (Local supply)	SW3-8	Heat meter (Local supply)	OFF	Without	OFF	Without	ON	With	ON	With
Consumed electric energy		Delivered heat energy																	
SW3-4	Electric energy meter (Local supply)	SW3-8	Heat meter (Local supply)																
OFF	Without	OFF	Without																
ON	With	ON	With																
34	Heat pump is forced to turn ON and OFF.	Smart grid ready input (IN11 and IN12) is used, and switch-on and off commands are input.	Normal operation, no action necessary.																

Annual Maintenance

It is essential that the hydrobox is serviced at least once a year by a qualified individual any spare parts required MUST be purchased from Mitsubishi Electric (safety matter).

NEVER bypass safety devices or operate the unit without them being fully operational.

<Annual maintenance points>

Use the Annual Maintenance Log Book as a guide to carrying out the necessary checks on the indoor and outdoor unit.

5 Hydrobox

■ Error Codes

Code	Error	Action
L3	Circulation water temperature overheat protection	Flow rate may be reduced. Check for; <ul style="list-style-type: none"> • Water leakage • Strainer blockage • Water circulation pump function (Error code may display during filling of primary circuit, complete filling and reset error code.)
L4	DHW tank water temperature overheat protection	Check the immersion heater and it's contactor.
L5	Indoor unit temperature thermistor (THW1, THW2, THW5B, THW6, THW7, THW8, THW9) failure	Check resistance across the thermistor.
L6	Circulation water freeze protection	See Action for L3.
L8	Heating operation error	Check and re-attach any thermistors that may have become dislodged.
L9	Low primary circuit flow rate detected by flow sensor or flow switch (flow switches 1, 2, 3)	See Action for L3. If the flow sensor or flow switch itself does not work, replace it. Caution: The pump valves may be hot, please take care.
LA	Pressure sensor failure	Check pressure sensor cable for damage or loose connections.
LB	High pressure protection	<ul style="list-style-type: none"> • Flow rate of the heating circuit may be reduced. Check water circuit. • Plate heat exchanger may be clogged. Check the plate heat exchanger. • Outdoor unit failure. Check refrigerant volume, valve, LEV coil and pipe crushing of outdoor unit.
LC	Boiler circulation water temperature overheat protection	Check if the setting temperature of the Boiler for heating exceeds the restriction. (See the manual of the thermistors "PAC-TH012HT-E") Flow rate of the heating circuit from the boiler may be reduced. Check for <ul style="list-style-type: none"> • water leakage • strainer blockage • water circulation pump function
LD	Boiler temperature thermistor (THWB1) failure	Check resistance across the thermistor.
LE	Boiler operation error	See Action for L8. Check the status of the boiler.
LF	Flow sensor failure	Check flow sensor cable for damage or loose connections.
LH	Boiler circulation water freeze protection	Flow rate of the heating circuit from the boiler may be reduced. Check for <ul style="list-style-type: none"> • water leakage • strainer blockage • water circulation pump function
LJ	DHW operation error (type of external plate HEX)	Check for disconnection of DHW tank water temp. thermistor (THW5B). Flow rate of the sanitary circuit may be reduced. Check for water circulation pump function. (primary / sanitary)
LL	Setting errors of DIP switches on FTC control board	For boiler operation, check that DIP SW1-1 is set to ON (With Boiler) and DIP SW2-6 is set to ON (With Mixing Tank). For 2-zone temperature control, check DIP SW2-7 is set to ON (2-zone) and DIP SW2-6 is set to ON (With Mixing Tank).
LP	Out of water flow rate range for outdoor heat pump unit	Check the installation Table 5.6.3 Check remote controller settings (Service menu / heat pump flow rate range) See Action for L3.
P1	Thermistor (Room temp.) (TH1) failure	Check resistance across the thermistor.
P2	Thermistor (Ref. liquid temp.) (TH2) failure	Check resistance across the thermistor.
P6	Anti-freeze protection of plate heat exchanger	See Action for L3. Check for correct amount of refrigerant.
J0	Communication failure between FTC and wireless receiver	Check connection cable for damage or loose connections.
J1 - J8	Communication failure between wireless receiver and wireless remote controller	Check wireless remote controller's battery is not flat. Check the pairing between wireless receiver to wireless remote controller. Test the wireless communication. (See the manual of wireless system)
E0 - E5	Communication failure between main remote controller and FTC	Check connection cable for damage or loose connections.
E6 - EF	Communication failure between FTC and outdoor unit	Check that the outdoor unit has not been turned off. Check connection cable for damage or loose connections. Refer to outdoor unit service manual.
E9	Outdoor unit receives no signal from indoor unit.	Check both units are switched on. Check connection cable for damage or loose connections. Refer to outdoor unit service manual.
EE	Combination error between FTC and outdoor unit	Check combination of FTC and outdoor unit.
U*, F*	Outdoor unit failure	Refer to outdoor unit service manual.
A*	M-NET communication error	Refer to outdoor unit service manual.

Note: To cancel error codes please switch system off (Press button F4(RESET) on main remote controller).

5 Hydrobox

■ Engineers Forms

Should settings be changed from default, please enter and record new setting in 'Field Setting' column. This will ease resetting in the future should the system use change or the circuit board need to be replaced.

Commissioning/Field settings record sheet

Main remote controller screen		Parameters	Default setting	Field setting	Notes	
Main		Zone1 heating room temp.	10°C to 30°C	20°C		
		Zone2 heating room temp. *1	10°C to 30°C	20°C		
		Zone1 heating flow temp.	20°C to 60°C	45°C		
		Zone2 heating flow temp. *2	20°C to 60°C	35°C		
		Zone1 cooling flow temp. *3	5°C to 25°C	15°C		
		Zone2 cooling flow temp. *3	5°C to 25°C	20°C		
		Zone1 heating compensation curve	-9°C to +9°C	0°C		
		Zone2 heating compensation curve *2	-9°C to +9°C	0°C		
Option		Holiday mode	Active/Non active/Set time	—		
		Forced DHW operation	On/Off	—		
		DHW	On/Off/Timer	On		
		Heating/Cooling	On/Off/Timer	On		
		Energy monitor	Consumed electrical energy/Delivered energy	—		
Setting	DHW *4	Operation mode	Normal/Eco *5	Normal		
		DHW max. temp.	40°C to 60°C *6	50°C		
		DHW temp. drop	5°C to 30°C	10°C		
		DHW max. operation time	30 to 120 min	60 min		
		DHW mode restriction	30 to 120 min	30 min		
		DHW recharge	Large/Standard	Large *7		
		Legionella prevention *4	Active	Yes/No	Yes	
		Hot water temp.	60°C to 70°C *6	65°C		
		Frequency	1 to 30 days	15 days		
		Start time	00.00 to 23.00	03.00		
		Max. operation time	1 to 5 hours	3 hours		
		Duration of maximum temp.	1 to 120 min	30 min		
	Heating/ Cooling *3		Zone1 operation mode	Heating room temp./ Heating flow temp./ Heating compensation curve/ Cooling flow temp.	Room temp.	
			Zone2 operation mode *2	Heating room temp./ Heating flow temp./ Heating compensation curve/ Cooling flow temp.	Compensation curve	
	Compensation curve	Hi flow temp. set point	Zone1 outdoor ambient temp.	-30°C to +33°C *8	-15°C	
			Zone1 flow temp.	20°C to 60°C	50°C	
			Zone2 outdoor ambient temp. *2	-30°C to +33°C *8	-15°C	
			Zone2 flow temp. *2	20°C to 60°C	40°C	
		Lo flow temp. set point	Zone1 outdoor ambient temp.	-28°C to +35°C *9	35°C	
			Zone1 flow temp.	20°C to 60°C	25°C	
			Zone2 outdoor ambient temp. *2	-28°C to +35°C *9	35°C	
			Zone2 flow temp. *2	20°C to 60°C	25°C	
		Adjust	Zone1 outdoor ambient temp.	-29°C to +34°C *10	—	
			Zone1 flow temp.	20°C to 60°C	—	
		Zone2 outdoor ambient temp. *2	-29°C to +34°C *10	—		
		Zone2 flow temp. *2	20°C to 60°C	—		
	Holiday		DHW *4	Active/Non active	Non active	
			Heating/ Cooling *3	Active/Non active	Active	
		Zone1 heating room temp.	10°C to 30°C	15°C		
		Zone2 heating room temp. *1	10°C to 30°C	15°C		
		Zone1 heating flow temp.	20°C to 60°C	35°C		
		Zone2 heating flow temp. *2	20°C to 60°C	25°C		
		Zone1 cooling flow temp. *3	5°C to 25°C	25°C		
		Zone2 cooling flow temp. *3	5°C to 25°C	25°C		

5 Hydrobox

Engineers Forms

Commissioning/Field settings record sheet

Main remote controller screen			Parameters		Default setting	Field setting	Notes	
Setting	Initial settings	Language	EN/FR/DE/SV/ES/IT/DA/NL/FI/NO/PT/BG/PL/CZ/RU/TR/SL		EN			
		°C/°F	°C/°F		°C			
Summer time		On/Off		Off				
Temp. display		Room/DHW tank/Room&DHW tank /Off		Off				
Time display		hh:mm/hh:mm AM/AM hh:mm		hh:mm				
Room sensor settings for Zone1		TH1/Main RC/Room RC1-8/"Time/Zone"		TH1				
Room sensor settings for Zone2 *2		TH1/Main RC/Room RC1-8/"Time/Zone"		TH1				
Service menu	Thermistor adjustment	Room RC zone select *2		Zone1/Zone2	Zone1			
		THW1	THW1		-10°C to +10°C	0°C		
			THW2		-10°C to +10°C	0°C		
			THW5B		-10°C to +10°C	0°C		
			THW6		-10°C to +10°C	0°C		
			THW7		-10°C to +10°C	0°C		
			THW8		-10°C to +10°C	0°C		
			THW9		-10°C to +10°C	0°C		
			THW10		-10°C to +10°C	0°C		
			THWB1		-10°C to +10°C	0°C		
	Auxiliary settings		Economy settings for pump.	Economy settings for pump.		On/Off *11	On	
		Delay (3 to 60 min)		10 min				
		Electric heater (Heating)	Electric heater (Heating)		Space heating: On (used)/Off (not used)	On		
			Electric heater delay timer (5 to 180 min)		30 min			
		Electric heater (DHW) *4	Booster heater		DHW: On (used)/Off (not used)	On		
			Immersion heater		DHW: On (used)/Off (not used)	On		
			Electric heater delay timer (15 to 30 min)		15 min			
		Mixing valve control	Running (10 to 240 sec)		120 sec			
			Interval (1 to 30 min)		2 min			
		Flow sensor *12	Minimum (0 to 100L/min)		5 L/min			
			Maximum (0 to 100L/min)		100 L/min			
		Analog output	Interval (1 to 30 min)		5 min			
			Priority (Normal/High)		Normal			
		Pump speed	DHW		Pump speed (1 to 5)	5		
			Heating/Cooling		Pump speed (1 to 5)	5		
		Heat source setting		Standard/Heater/Boiler/Hybrid *13		Standard		
		Heat pump setting	Heat pump flow rate range		Minimum (0 to 100L/min)	5 L/min		
					Maximum (0 to 100L/min)	100 L/min		
			Quiet mode		Day (Mon to Sun)	—		
Time	0:00 - 23:45							
Quiet level (Normal/ Level1/ Level2)	Normal							
Operation settings	Heating operation	Flow temp.range *15	Min.temp.(20 to 45°C)	30°C				
			Max.temp.(35 to 60°C)	50°C				
		Room temp. control *16	Mode(Normal/Fast)		Normal			
			Interval(10 to 60 min)		10 min			
	Heat pump thermo diff.adjust	On/Off *11		On				
		Lower limit (-9 to -1°C)		-5°C				
		Upper limit (+3 to +5°C)		5°C				
	Freeze stat function *17		Outdoor ambient temp. (3 to 20°C) / **		5°C			
	Simultaneous operation (DHW/ Heating)		On/Off *11		Off			
			Outdoor ambient temp. (-30 to +10°C) *8		-15°C			
	Cold weather function		On/Off *11		Off			
			Outdoor ambient temp. (-30 to -10°C) *8		-15°C			
	Boiler operation		Hybrid settings	Outdoor ambient temp. (-30 to +10°C) *8		-15°C		
				Priority mode (Ambient/Cost/CO ₂) *18		Ambient		
Outdoor ambient temp. rise (+1 to +5 °C)				+3 °C				
Intelligent settings			Energy price *19	Electricity (0.001 to 999 */kWh)	0.5 */kWh			
				Boiler (0.001 to 999 */kWh)	0.5 */kWh			
	CO ₂ emission	Electricity (0.001 to 999 kg -CO ₂ /kWh)	0.5 kg -CO ₂ / kWh					
		Boiler (0.001 to 999 kg -CO ₂ /kWh)	0.5 kg -CO ₂ / kWh					
Heat source	Heat pump capacity (1 to 40 kW)		11.2 kW					
	Boiler efficiency (25 to 150%)		80%					
	Booster heater 1 capacity (0 to 30 kW)		2 kW					
		Booster heater 2 capacity (0 to 30 kW)		4 kW				

Cylinder unit/
Hydrobox/GSHP/WTW

■ Engineers Forms

Commissioning/Field settings record sheet (continued from the previous page)

Main remote controller screen				Parameters	Default setting	Field setting	Notes
Service menu	Operation settings	Smart grid ready	DHW	On/Off	Off		
				Target temp(+1 to +20°C) / -- (Non active)	--		
			Heating	On/Off	Off		
				Target temp.	Switch-on recommendation (20 to 60°C)	50°C	
				Switch-on command (20 to 60°C)	55°C		
			Cooling	On/Off	Off		
				Target temp.	Switch-on recommendation (5 to 25°C)	15°C	
				Switch-on command (5 to 25°C)	10°C		
			Pump cycles	Heating (On/Off)	On		
				Cooling (On/Off)	On		
				Interval (10 to 120 min)	10 min		
			Floor dry up function	On/Off *11	Off		
				Target temp.	Start&Finish (20 to 60°C)	30°C	
					Max. temp. (20 to 60°C)	45°C	
					Max. temp. period (1 to 20 days)	5 days	
		Flow temp. (Increase)		Temp. increase step (+1 to +10°C)	+5°C		
				Increase interval (1 to 7 days)	2 days		
		Flow temp. (Decrease)		Temp. decrease step (-1 to -10°C)	-5°C		
				Decrease interval (1 to 7 days)	2 days		
		Summer mode		On/Off	Off		
				Outdoor ambient temp.	Heating ON (4 to 19°C)	10°C	
			Heating OFF (5 to 20°C)		15°C		
			Judgement time	Heating ON (1 to 48 hours)	6 hours		
				Heating OFF (1 to 48 hours)	6 hours		
			Forced heating ON (-30 to 10°C)	5 °C			
		Water flow control	On/Off	Off			
		Energy monitor settings	Electric heater capacity	Booster heater 1 capacity	0 to 30 kW	2 kW	
				Booster heater 2 capacity	0 to 30 kW	4 kW	
				Immersion heater capacity	0 to 30 kW	0 kW	
				Analog output	0 to 30 kW	0 kW	
			Delivered energy adjustment	-50 to +50%	0%		
			Water pump input	Pump 1	0 to 200 W or *** (factory fitted pump)	***	
				Pump 2	0 to 200 W	0 W	
				Pump 3	0 to 200 W	0 W	
				Pump 4 *7	0 to 200 W	72 W	
Electric energy meter *14	0.1/1/10/100/1000 pulse/kWh		1000 pulse/kWh				
Heat meter *14	0.1/1/10/100/1000 pulse/kWh	1000 pulse/kWh					
External input settings	Demand control (IN4)	Heat source OFF/Boiler operation	Boiler operation				
	Outdoor thermostat (IN5)	Heater operation/Boiler operation	Boiler operation				
Thermo ON output	Zone1/Zone2/Zone1&2	Zone1&2					

- *1 The settings related to Zone2 can be switched only when 2-zone temperature control or 2-zone valve ON/OFF control is active.
- *2 The settings related to Zone2 can be switched only when 2 Zone temperature control is enabled (when DIP SW2-6 and SW 2-7 are ON).
- *3 Cooling mode settings are available for ERS* model only.
- *4 Only available if DHW tank present in system.
- *5 When the hydrobox is connected with a PUMY-P outdoor unit, the mode is fixed to "Normal".
- *6 For the model without both booster and immersion heater, it may not reach the set temperature depending on the outside ambient temperature.
- *7 This setting is valid for only cylinder units.
- *8 The lower limit is -15°C depending on the connected outdoor unit.
- *9 The lower limit is -13°C depending on the connected outdoor unit.
- *10 The lower limit is -14°C depending on the connected outdoor unit.
- *11 On: the function is active; Off: the function is inactive.
- *12 Do not change the setting since it is set according to the specification of flow sensor attached to the hydrobox.
- *13 When DIP SW1-1 is set to OFF "WITHOUT Boiler" or SW2-6 is set to OFF "WITHOUT Mixing tank", neither Boiler nor Hybrid can be selected.
- *14 The default setting is 1 pulse/kWh depending on the connected indoor unit.
- *15 Valid only when operating in Heating room temperature.
- *16 When DIP SW5-2 is set to OFF, the function is active.
- *17 If asterisk (***) is chosen freeze stat function is deactivated. (i.e. primary water freeze risk)
- *18 When the hydrobox is connected with a PUMY-P outdoor unit, the mode is fixed to "Ambient".
- *19 "***" of "*/kWh" represents currency unit (e.g. € or £ or the like)

5 Hydrobox

■ Refrigerant collecting (pumpdown) for split model systems only

Refer to "Refrigerant collection" in the outdoor unit installation manual or service manual.

■ Back-up operation of boiler

Heating operation is backed up by boiler.

For more details, refer to the installation manual of PAC-TH012HT-E.

<Installation & System set up>

1. Set DIP-SW 1-1 to ON "With boiler" and SW2-6 to ON "With Mixing tank".
2. Install the thermistor THWB1 (Flow temp.) *1 on the boiler circuit.
3. Connect the output wire (OUT10: Boiler operation) to the signal input (room thermostat input) on the boiler. *2
4. Install one of the following room temp. thermostats. *3

- Wireless remote controller (option)
- Room temp. thermostat (local supply)
- Main remote controller (remote position)

<Main remote controller settings>

1. Go to Service menu > Heat source setting and choose "Boiler" or "Hybrid". *4
2. Go to Service menu > Operation settings > Boiler settings to make detailed settings for "Hybrid" above.

*1 The boiler temperature thermistor is an optional part.

*2 OUT10 has no voltage across it.

*3 Boiler heating is controlled on/off by the room temp. thermostat.

*4 The "Hybrid" automatically switches heat sources between Heat pump (and Electric heater) and boiler.

■ Multiple outdoor units control

To realize bigger systems by using multiple outdoor units, up to 6 units of the same model can be connected.

The hydrobox can be used as a sub unit for multiple outdoor unit control.

For more details, refer to the installation manual of PAC-IF071/072B-E.

PAC-IF061/062B-E can not be connected to the hydrobox.

Check the model name of connecting main unit.

<DIP switch setting>

- Set DIP SW4-1 to ON "Active: multiple outdoor unit control".
- Keep DIP SW4-2 OFF (default setting) (main/sub setting: sub).
- Set DIP SW1-3 to ON when the hydrobox is connected to a DHW tank.

Note : PUHZ-FRP/PUMY-P outdoor unit is not available for multiple outdoor units control.

■ Product fiche of temperature control

(a) Supplier's name: MITSUBISHI ELECTRIC CORPORATION

(b) Supplier's model identifier: PAR-WT50R-E and PAR-WR51R-E

(c) The class of the temperature control: VI

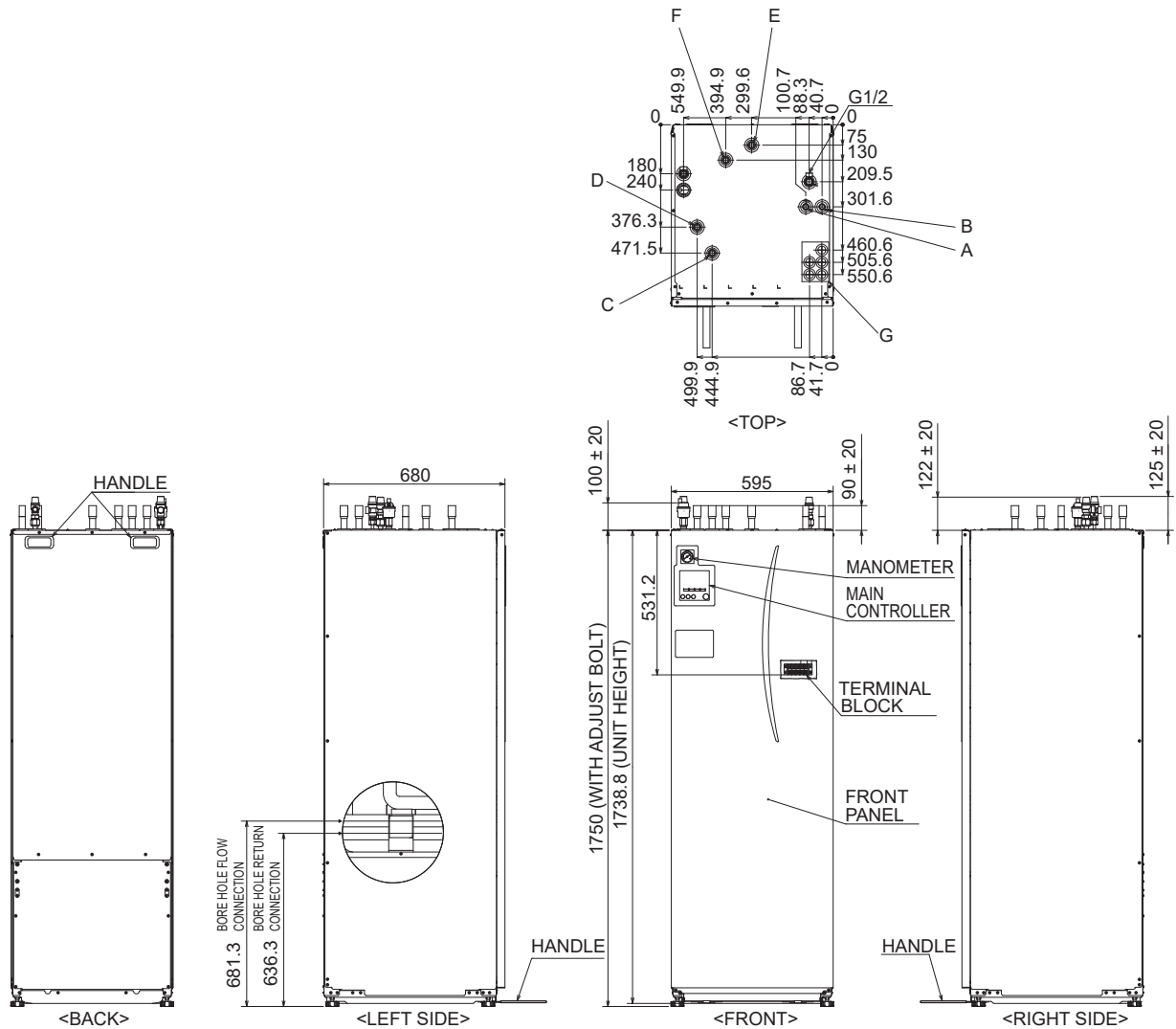
(d) The contribution of the temperature control to seasonal space heating energy efficiency: 4%

6 Ground source heat pump (GSHP)

6.1 Outlines and dimensions

6.1.1 Technical Drawings

<Unit: mm>



Cylinder unit/
Hydrobox/GSHP/WTW

Letter	Pipe description	Connection size/type
A	DHW outlet connection	22 mm/Compression
B	Cold water inlet connection	22 mm/Compression
C	Space heating return connection	28 mm/Compression
D	Space heating flow connection	28 mm/Compression
E	Brine pipe (Bore hole return connection)	28 mm/Compression
F	Brine pipe (Bore hole flow connection)	28 mm/Compression
G	Electrical cable inlets	For inlets ① and ②, run low-voltage wires including external input wires and thermistor wires. For inlets ③, ④ and ⑤, run high-voltage wires including power cable, and external output wires. *For a wireless receiver (option) cable and ecodan Wi-Fi interface (option) cable, use inlet ①.

<Table 6.1.1>

6 Ground source heat pump (GSHP)

Service access diagrams

Service access	
Parameter	Dimension (mm)
a	300
b	150
c (distance behind unit not visible in Figure 6.1.2)	10
d	700**
e	150*

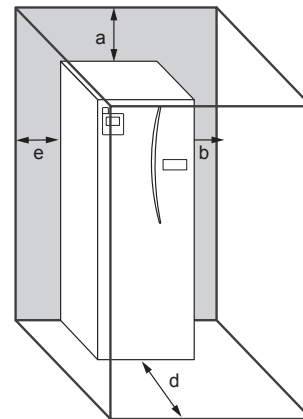
<Table 6.1.2>

* An additional space is required, when brine pipe connecting to the side.

** Including Module removal space service

Sufficient space MUST be left for the provision of discharge pipework as detailed in National and Local Building Regulations.

The heat pump unit must be located indoors and in a frost-free environment, for example in a utility room, to minimise heat loss from stored water.

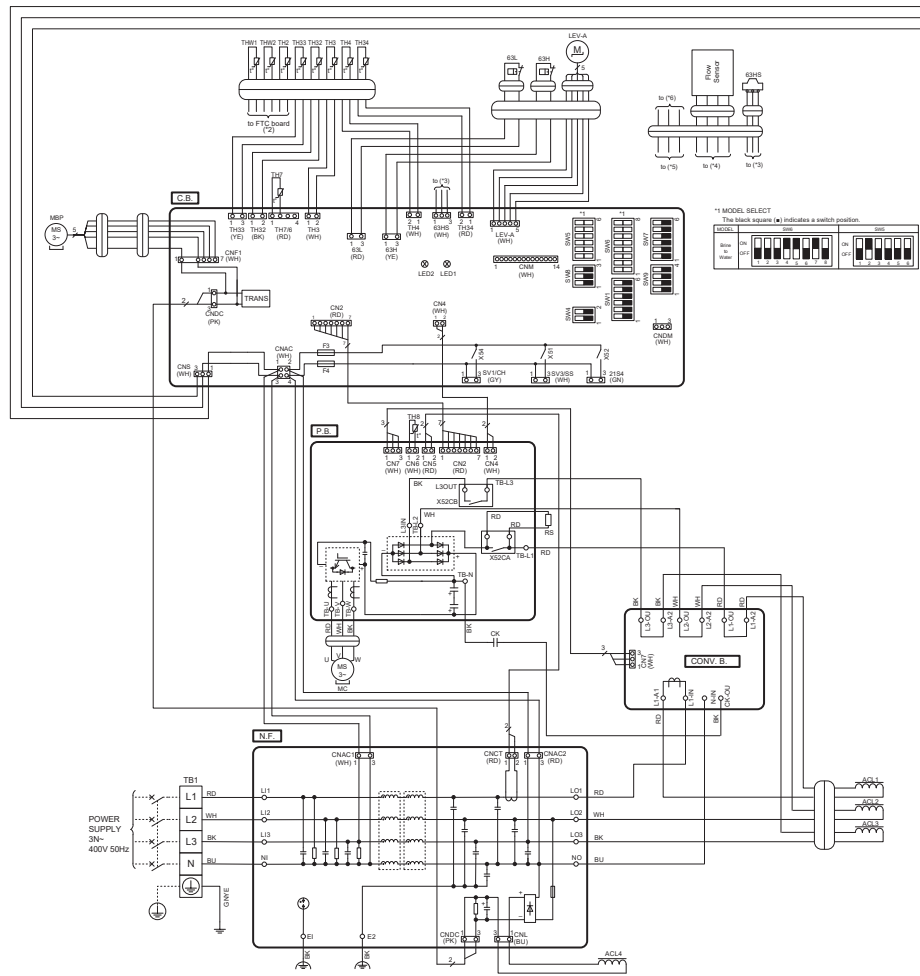
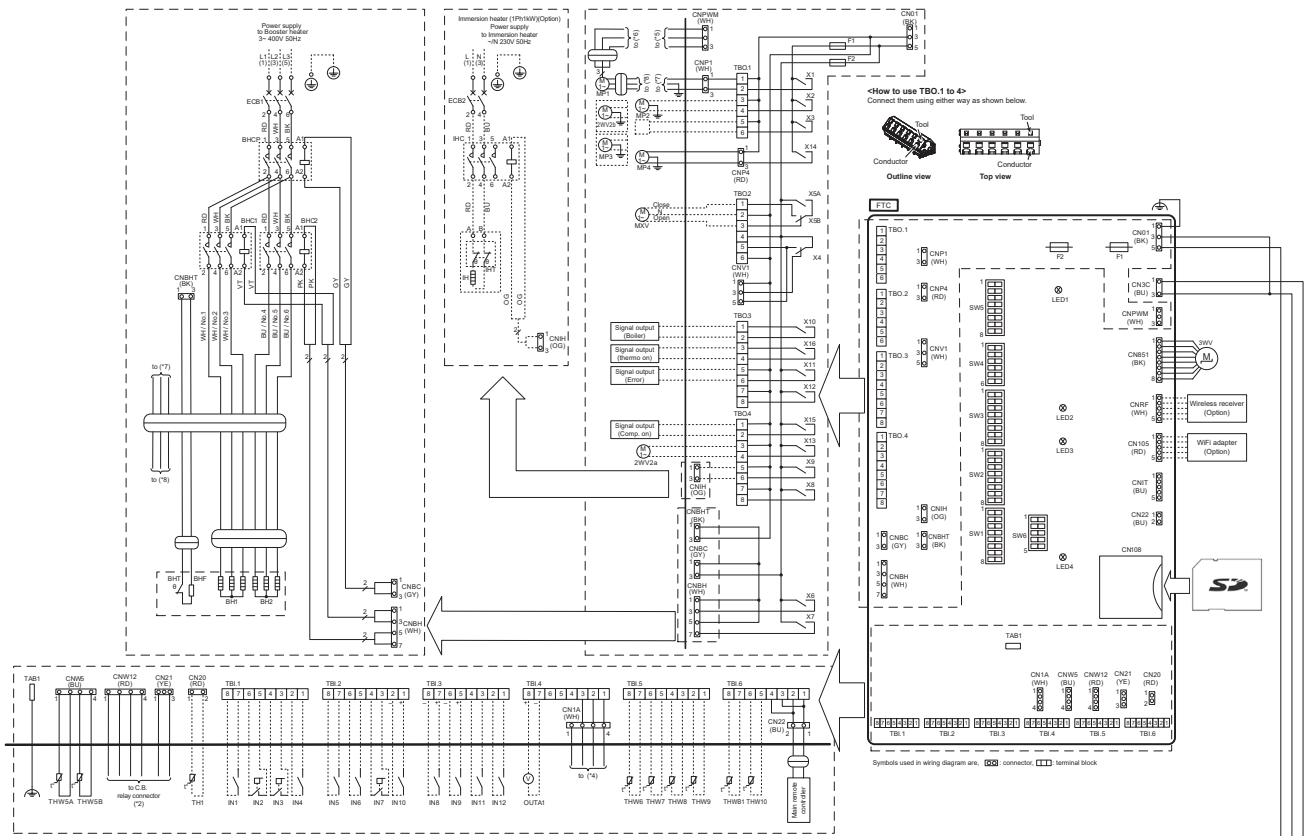


<Figure 6.1.2>
Service access

6 Ground source heat pump (GSHP)

6.2. Wiring diagrams

EHGT17D-YM9ED



Cylinder unit/
Hydrobox/GSHP/WTW

6 Ground source heat pump (GSHP)

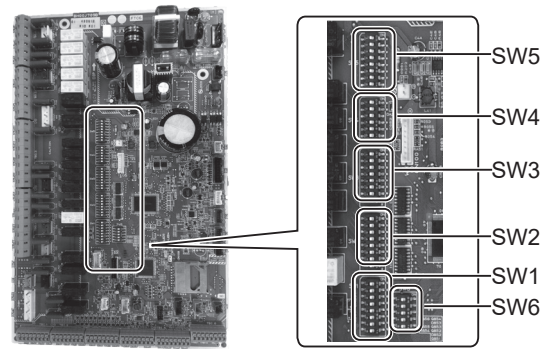
6.3. DIP Switch Function(FTC)

Located on the FTC printed circuit board are 6 sets of small white switches known as DIP switches. The DIP switch number is printed on the circuit board next to the relevant switches. The word ON is printed on the circuit board and on the DIP switch block itself. To move the switch you will need to use a pin or the corner of a thin metal ruler or similar.

DIP switch settings are listed below in Table 6.3.1.

Only an authorised installer can change DIP switch setting under one's own responsibility according to the installation condition.

Make sure to turn off heat pump unit power supplies before changing the switch settings.



<Figure 6.3.1>

DIP switch	Function	OFF	ON	Default settings
SW1	SW1-1 Boiler	WITHOUT Boiler	WITH Boiler	OFF
	SW1-2 Heat pump maximum outlet water temperature	55°C	60°C	ON
	SW1-3 DHW tank	WITHOUT DHW tank	WITH DHW tank	ON
	SW1-4 Immersion heater	WITHOUT Immersion heater	WITH Immersion heater	OFF
	SW1-5 Booster heater	WITHOUT Booster heater	WITH Booster heater	ON
	SW1-6 Booster heater function	For heating only	For heating and DHW	ON
	SW1-7 —	—	—	OFF
	SW1-8 Wireless remote controller	WITHOUT Wireless remote controller	WITH Wireless remote controller	OFF
SW2	SW2-1 Room thermostat1 input (IN1) logic change	Zone1 operation stop at thermostat short	Zone1 operation stop at thermostat open	OFF
	SW2-2 Flow switch1 input (IN2) logic change	Failure detection at short	Failure detection at open	OFF
	SW2-3 Booster heater capacity restriction	Inactive	Active	OFF
	SW2-4 —	—	—	OFF
	SW2-5 Automatic switch to backup heat source operation (When compressor stops by error)	Inactive	Active *1	OFF
	SW2-6 Mixing tank	WITHOUT Mixing tank	WITH Mixing tank	OFF
	SW2-7 2-zone temperature control	Inactive	Active *4	OFF
	SW2-8 —	—	—	ON
SW3	SW3-1 Room thermostat 2 input (IN6) logic change	Zone2 operation stop at thermostat short	Zone2 operation stop at thermostat open	OFF
	SW3-2 Flow switch 2,3 input (IN3,7) logic change	Failure detection at short	Failure detection at open	OFF
	SW3-3 —	—	—	ON
	SW3-4 Electric energy meter	WITHOUT Electric energy meter	WITH Electric energy meter	OFF
	SW3-5 —	—	—	OFF
	SW3-6 2-zone valve ON/OFF control	Inactive	Active	OFF
	SW3-7 —	—	—	ON
	SW3-8 Heat meter	WITHOUT Heat meter	WITH Heat meter	OFF
SW4	SW4-1 —	—	—	OFF
	SW4-2 —	—	—	OFF
	SW4-3 —	—	—	OFF
	SW4-4 Water circuit only operation (during installation work) *2	Inactive	Active	OFF
	SW4-5 Emergency mode (Heater only operation)	Normal	Emergency mode (Heater only operation)	OFF *3
	SW4-6 Emergency mode (Boiler operation)	Normal	Emergency mode (Boiler operation)	OFF *3
SW5	SW5-1 —	—	—	OFF
	SW5-2 Advanced auto adaptation	Inactive	Active	ON
	SW5-3 —	—	—	ON
	SW5-4 —	—	—	OFF
	SW5-5 Capacity code	—	—	OFF
	SW5-6 —	—	—	ON
	SW5-7 —	—	—	OFF
	SW5-8 —	—	—	OFF
SW6	SW6-1 —	—	—	OFF
	SW6-2 —	—	—	OFF
	SW6-3 —	—	—	OFF
	SW6-4 Analog output signal (0-10V)	Inactive	Active	OFF
	SW6-5 Model select	Air to Water	Brine to Water	ON

<Table 6.3.1>

Note: *1. External output (OUT11) will be available. For safety reasons, this function is not available for certain errors. (In that case, system operation must be stopped and only the water circulation pump keeps running.)

*2. Space heating and DHW can be operated only in water circuit, like an electric boiler. (Refer to "6.4.4 Water circuit only operation".)

*3. If emergency mode is no longer required, return the switch to OFF position.

*4. Active only when SW3-6 is set to OFF.

6 Ground source heat pump (GSHP)

6.4. Field wiring

6.4.1 Electrical Connection

All electrical work should be carried out by a suitably qualified technician. Failure to comply with this could lead to electrocution, fire, and death. It will also invalidate product warranty. All wiring should be according to national wiring regulations.

Breaker abbreviation	Meaning
ECB1	Earth leakage circuit breaker for booster heater
ECB2	Earth leakage circuit breaker for immersion heater (Option)
TB1	Terminal block 1

Connections should be made to the terminals indicated in the figures.

Booster heater and immersion heater should be connected independently from one another to dedicated power supplies.

Ⓐ Locally supplied wiring should be inserted through the inlets situated on the top of the heat pump unit. (Refer to <Table 6.1.1>.)

Ⓑ Wiring should be fed down the back right hand side of the control and electrical box.

Ⓒ The wires should be inserted individually through the cable inlets as below.

Ⓓ Connect the power cable for the booster heater to ECB1.

- Avoid contact between wiring and parts (*).
- Make sure that ECB1 is ON.

Ⓔ The wires should be fixed with the cable straps as below

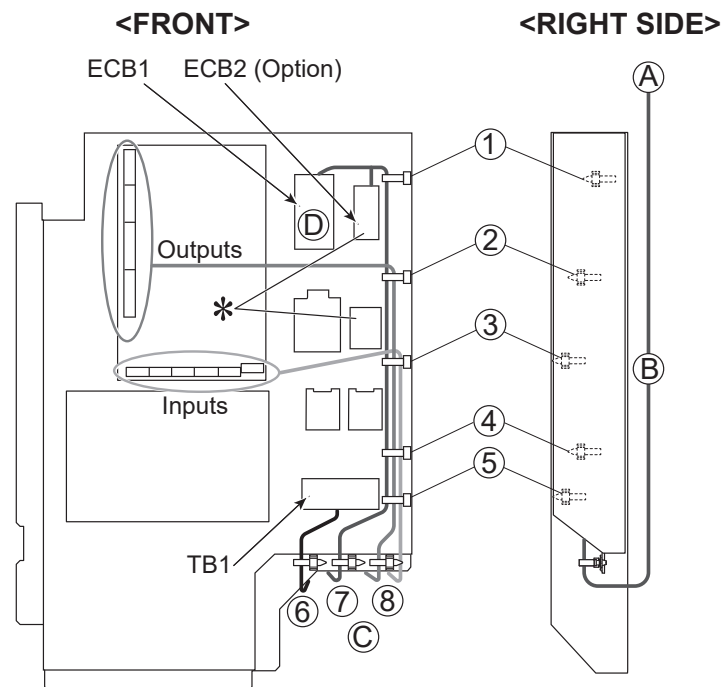
- Booster heater and immersion heater cables should use the cable strap ①, ⑦.

- Output cables should use the cable strap ②, ④, ⑧.

- Input cables should use the cable strap ③, ⑤.

- Power cables should use the cable strap ⑥.

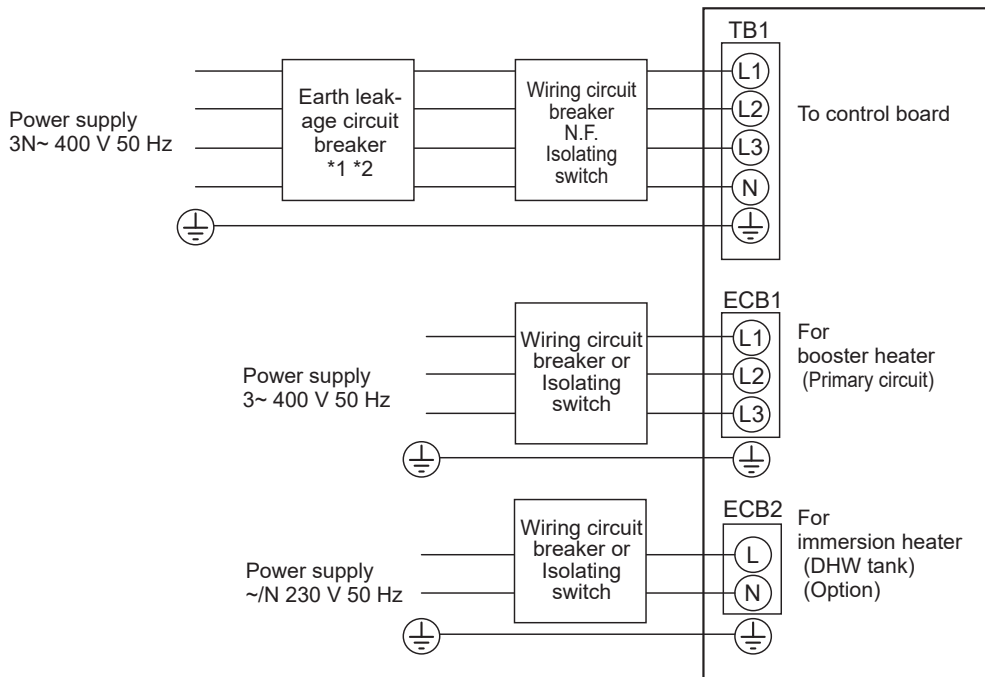
Ⓕ On completion of wiring ensure main remote controller cable is connected to the relay connector.



<Figure 6.4.1>

6 Ground source heat pump (GSHP)

Affix label A that is included with the manuals near each wiring diagram for heat pump units.



<Figure 6.4.2>
Electrical connections 3 phase

Description	Power supply	Capacity	Breaker	Wiring *4
Booster heater (Primary circuit)	3~ 400 V 50 Hz	9 kW	16 A *2	2.5 mm ²
Immersion heater (DHW tank) (Option)	~/N 230 V 50 Hz	1 kW	16 A *2	2.5 mm ²

Ground source unit power supply		3N~ 400 V 50 Hz
Ground source unit circuit breaker capacity		*2 16 A
Wiring No. × size (mm ²)	Ground source unit power supply, earth	*4 5 × Min. 1.5
Circuit rating	Ground source unit L1-N, L2-N, L3-N	*3 230 V AC

*1. If the installed earth leakage circuit breaker does not have an over-current protection function, install a breaker with that function along the same power line.

*2. A breaker with at least 3.0 mm contact separation in each pole shall be provided. Use earth leakage breaker (NV). The breaker shall be provided to ensure disconnection of all active phase conductors of the supply.

*3. The values given in the table above are not always measured against the ground value.

*4. Use wires in conformity with design 60245 IEC 57.

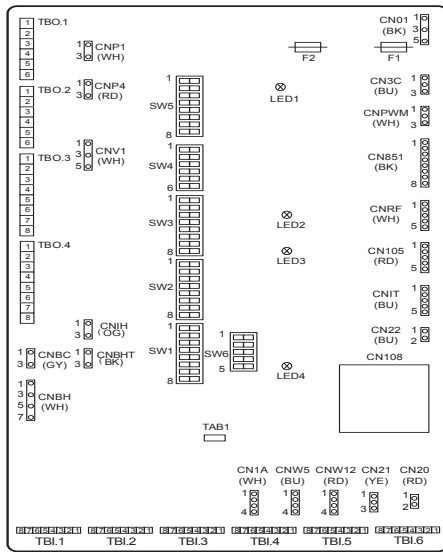
Note: 1. Wiring size must comply with the applicable local and national codes.

2. Install an earth longer than other cables.

3. Please keep enough output capacity of power supply for each heater. Insufficient power supply capacity might cause chattering.

6 Ground source heat pump (GSHP)

6.4.2 Connecting inputs/outputs



<Figure 6.4.3>

Wiring specification and local supply parts

Item	Name	Model and specifications
Signal input function	Signal input wire	Use sheathed vinyl coated cord or cable. Max. 30 m Wire type: CV, CVS or equivalent Wire size: Stranded wire 0.13 mm ² to 0.52 mm ² Solid wire: ø0.4 mm to ø0.8 mm
	Switch	Non-voltage "a" contact signals Remote switch: minimum applicable load 12V DC, 1mA

Note:

Stranded wire should be processed with insulation-covered bar terminal (DIN46228-4 standard compatible type).

■ Signal inputs

Name	Terminal block	Connector	Item	OFF (Open)	ON (Short)
IN1	TBI.1 7-8	—	Room thermostat 1 input *1	Refer to SW2-1 in <6.3.1 DIP Switch Functions>.	
IN2	TBI.1 5-6	—	Flow switch 1 input	Refer to SW2-2 in <6.3.1 DIP Switch Functions>.	
IN3	TBI.1 3-4	—	Flow switch 2 input (Zone1)	Refer to SW3-2 in <6.3.1 DIP Switch Functions>.	
IN4	TBI.1 1-2	—	Demand control input	Normal	Heat source OFF/ Boiler operation *3
IN5	TBI.2 7-8	—	Outdoor thermostat input *2	Standard operation	Heater operation/ Boiler operation *3
IN6	TBI.2 5-6	—	Room thermostat 2 input *1	Refer to SW3-1 in <6.3.1 DIP Switch Functions>.	
IN7	TBI.2 3-4	—	Flow switch 3 input (Zone2)	Refer to SW3-2 in <6.3.1 DIP Switch Functions>.	
IN8	TBI.3 7-8	—	Electric energy meter 1	*4	
IN9	TBI.3 5-6	—	Electric energy meter 2		
IN10	TBI.2 1-2	—	Heat meter		
IN11	TBI.3 3-4	—	Smart grid ready input	*5	
IN12	TBI.3 1-2	—			
INA1	TBI.4 1-3	CN1A	Flow sensor	—	—

*1. Set the ON/OFF cycle time of the room thermostat for 10 minutes or more; otherwise the compressor may be damaged.

*2. If using outdoor thermostat for controlling operation of heaters, the lifetime of the heaters and related parts may be reduced.

*3. To turn on the boiler operation, use the main remote controller to select "Boiler" in "External input setting" screen in the service menu.

*4. Connectable electric energy meter and heat meter

- Pulse type Voltage free contact for 12VDC detection by FTC (TBI.2 1pin ,TBI.3 5 and 7 pins have a positive voltage.)
- Pulse duration Minimum ON time: 40ms
Minimum OFF time: 100ms
- Possible unit of pulse 0.1 pulse/kWh 1 pulse/kWh 10 pulse/kWh
100 pulse/kWh 1000 pulse/kWh

Those values can be set by the main remote controller. (Refer to the menu tree in "Main remote controller".)

*5. As for the SG ready, refer to "Smart grid ready" in 6.7 System setup.

6 Ground source heat pump (GSHP)

■ Thermistor inputs

Name	Terminal block	Connector	Item	Optional part model
TH1	—	CN20	Thermistor (Room temp.) (Option)	PAC-SE41TS-E
TH2	—	CN21	Thermistor (Ref. liquid temp.)	—
THW1	—	CNW12 1-2	Thermistor (Flow water temp.)	—
THW2	—	CNW12 3-4	Thermistor (Return water temp.)	—
THW5A	—	CNW5 1-2	Thermistor (DHW tank upper water temp.)	—
THW5B	—	CNW5 3-4	Thermistor (DHW tank lower water temp.)	—
THW6	TBI.5 7-8	—	Thermistor (Zone1 flow water temp.) (Option) *1	PAC-TH011-E
THW7	TBI.5 5-6	—	Thermistor (Zone1 return water temp.) (Option) *1	PAC-TH011-E
THW8	TBI.5 3-4	—	Thermistor (Zone2 flow water temp.) (Option) *1	PAC-TH011-E
THW9	TBI.5 1-2	—	Thermistor (Zone2 return water temp.) (Option) *1	PAC-TH011-E
THW10	TBI.6 5-6	—	Thermistor (Mixing tank water temp.)	PAC-TH012HT-E
THWB1	TBI.6 7-8	—	Thermistor (Boiler flow water temp.) (Option) *1	PAC-TH012HT-E

Ensure to wire thermistor wirings away from the power line and/or OUT1 to 15 wirings.

*1. The maximum length of the thermistor wiring is 30 m. When the wires are wired to adjacent terminals, use ring terminals and insulate the wires.

The length of the optional thermistors are 5 m. If you need to splice and extend the wirings, following points must be carried out.

1) Connect the wirings by soldering.

2) Insulate each connecting point against dust and water. Stranded wire should be processed with insulation-covered bar terminal (DIN46228-4 standard compatible type).

6 Ground source heat pump (GSHP)

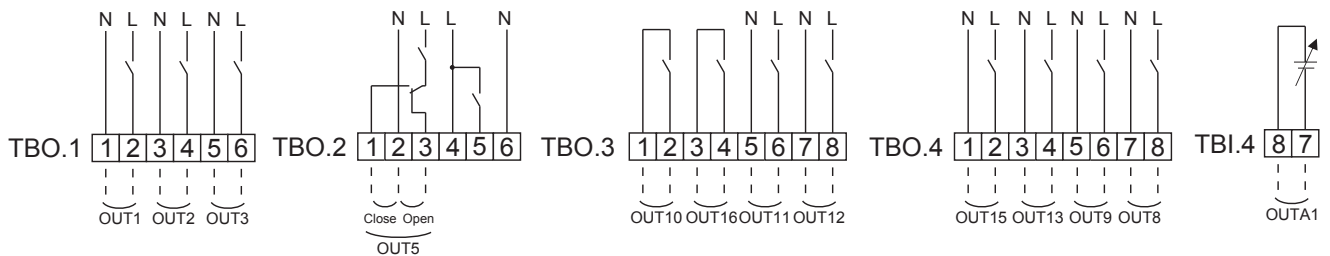
■ Outputs

Name	Terminal block	Connector	Item	OFF	ON	Signal/Max current	Max. total current
OUT1	TBO.1 1-2	CNP1	Water circulation pump 1 output (Space heating & DHW)	OFF	ON	230V AC 1.0A Max. (Inrush current 40A Max.)	4.0A
OUT2	TBO.1 3-4	—	Water circulation pump 2 output (Space heating for Zone1)	OFF	ON	230V AC 1.0A Max. (Inrush current 40A Max.)	
OUT3	TBO.1 5-6	—	Water circulation pump 3 output (Space heating for Zone2) *1 2-way valve 2b output *2	OFF	ON	230V AC 1.0A Max. (Inrush current 40A Max.)	
OUT14	—	CNP4	Water circulation pump 4 output (DHW)	OFF	ON	230V AC 1.0A Max. (Inrush current 40A Max.)	
OUT4	—	CN851	3-way valve output	Heating	DHW	—	2.5A
OUT5	TBO.2 1-2 TBO.2 2-3	—	Mixing valve output *1	Stop	Close Open	230V AC 0.1A Max.	
OUT6	—	CNBH 1-3	Booster heater 1 output	OFF	ON	230V AC 0.5A Max. (Relay)	
OUT7	—	CNBH 5-7	Booster heater 2 output	OFF	ON	230V AC 0.5A Max. (Relay)	
OUT8	TBO.4 7-8	—	—	—	—	—	
OUT9	TBO.4 5-6	CNIH	Immersion heater output	OFF	ON	230V AC 0.5A Max. (Relay)	
OUT11	TBO.3 5-6	—	Error output	Normal	Error	230V AC 0.5A Max.	
OUT12	TBO.3 7-8	—	—	—	—	—	
OUT13	TBO.4 3-4	—	2-way valve 2a output *2	OFF	ON	230V AC 0.1A Max.	
OUT15	TBO.4 1-2	—	Comp ON signal	OFF	ON	230V AC 0.5A Max.	
OUT10	TBO.3 1-2	—	Boiler output	OFF	ON	non-voltage contact ·220-240V AC (30V DC) 0.5A or less ·10mA 5V DC or more	—
OUT16	TBO.3 3-4	—	Heating thermo ON signal	OFF	ON	—	—
OUTA1	TBI.4 7-8	—	Analog output	—	—	0-10V DC 5mA max.	—

Do not connect to the terminals that are indicated as “—” in the “Terminal block” field.

*1 For 2-zone temperature control.

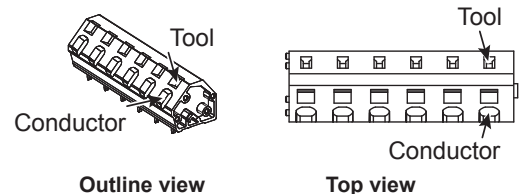
*2 For 2-zone valve ON/OFF control.



Wiring specification and local supply parts

Item	Name	Model and specifications
External output function	Outputs wire	Use sheathed vinyl coated cord or cable. Max. 30 m Wire type: CV, CVS or equivalent Wire size: Stranded wire: 0.25 mm ² to 1.5 mm ² Solid wire: ø0.57 mm to ø1.2 mm

How to use TBO.1 to 4



Connect them using either way as shown above.
<Figure 6.4.4>

Note:

- Do not connect multiple water circulation pumps directly to each output (OUT1, OUT2, and OUT3). In such a case, connect them via (a) relay(s).
- Do not connect water circulation pumps to both TBO.1 1-2 and CNP1 at the same time.
- Connect an appropriate surge absorber to OUT10 (TBO.3 1-2) depending on the load at site.
- Stranded wire should be processed with insulation-covered bar terminal (DIN46228-4 standard compatible type).
- Use the same thing as the Signal input wire for OUTA1 wiring.

6 Ground source heat pump (GSHP)

6.4.3 Wiring for 2-zone temperature control

Connect the pipe work and locally supplied parts according to the relevant circuit diagram shown "6.5.3 Local system".

<Mixing valve>

Connect the signal line to open Port A (hot water inlet port) to TBO. 2-3 (Open), the signal line to open Port B (cold water inlet port) to TBO. 2-1 (Close), and the neutral terminal wire to TBO. 2-2 (N).

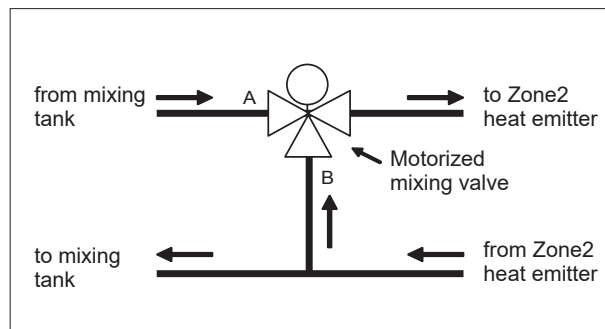
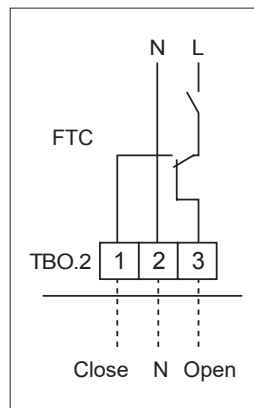
<Thermistor>

- Do not install the thermistors on the mixing tank.
- Install the Zone2 flow temp. thermistor (THW8) near the mixing valve.
- The maximum length of the thermistor wiring is 30 m.
- The length of the optional thermistors are 5 m. If you need to splice and extend the wirings, following points must be carried out.
 - 1) Connect the wirings by soldering.
 - 2) Insulate each connecting point against dust and water.

Note:

Do not install the thermistors on the mixing tank. This could affect correct monitoring of flow and return temperatures through each zone.

Install the Zone2 flow temp. thermistor (THW8) near the mixing valve.



6.4.4 Water circuit only operation (Indoor unit only operation) (during installation work)

During installation work, an electric heater in water circuit can be used.

1. To start operation

- Check if the power supply is OFF, and turn DIP switch 4-4 and 4-5 (on FTC) ON.
- Turn ON the power supply.

2. To end operation*1

- Turn OFF the power supply.
- Turn DIP switch 4-4 and 4-5 (on FTC) OFF.

*1 When the water circuit only operation is ended, ensure to check over the settings after brine circuit is connected.

Note:

Prolonged running of this operation may affect the life of the electric heater.

6 Ground source heat pump (GSHP)

6.4.5 Using SD memory card

The heat pump unit is equipped with an SD memory card interface in FTC.

Using an SD memory card can simplify main remote controller settings and can store operating logs. *1

<Handling precautions>

- (1) Use an SD memory card that complies with the SD standards. Check that the SD memory card has a logo on it of those shown to the right.
- (2) SD memory cards to the SD standards include SD, SDHC, miniSD, micro SD, and microSDHC memory cards. The capacities are available up to 32 GB. Choose that with a maximum allowable temperature of 55°C.
- (3) When the SD memory card is a miniSD, miniSDHC, microSD, or micro SDHC memory card, use an SD memory card converter adapter.
- (4) Before writing to the SD memory card, release the write-protect switch.



- (5) Before inserting or ejecting an SD memory card, make sure to power off the system. If an SD memory card is inserted or ejected with the system powered on, the stored data could be corrupted or the SD memory card be damaged. *An SD memory card is live for a short duration after the system is powered off. Before insertion or ejection wait until the LED lamps on the FTC control board are all off.
- (6) The read and write operations have been verified using the following SD memory cards, however, these operations are not always guaranteed as the specifications of these SD memory cards could change.

Manufacturer	Model	Tested in
Verbatim	#44015	Mar. 2012
SanDisk	SDSDB-002G-B35	Oct. 2011
Panasonic	RP-SDP04GE1K	Oct. 2011
Arvato	2GB PS8032 TSB 24nm MLC	Jun. 2012
Arvato	2GB PS8035 TSB A19nm MLC	Jul. 2014
SanDisk	SDSDUN-008G-G46	Oct. 2016
Verbatim	#43961	Oct. 2016
Verbatim	#44018	Oct. 2016
VANTASTEK	VSDHC08	Sep. 2017

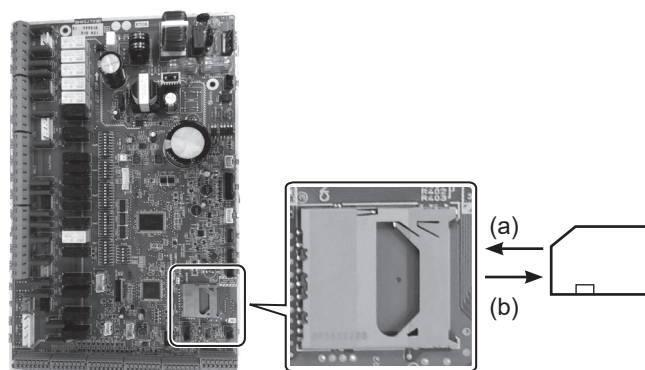
Before using a new SD memory card (including the card that comes with the unit), always check that the SD memory card can be safely read and written to by the FTC controller.

<How to check read and write operations>

- a) Check for correct wiring of power supply to the system.
For more details, refer to section 6.4.1.
(Do not power on the system at this point.)
 - b) Insert an SD memory card.
 - c) Power on the system.
 - d) The LED4 lamp lights if the read and write operations are successfully completed. If the LED4 lamp continues blinking or does not light, the SD memory card cannot be read or written to by the FTC controller.
- (7) Make sure to follow the instruction and the requirement of the SD memory card's manufacturer.
 - (8) Format the SD memory card if determined unreadable in step (6). This could make it readable.
Download an SD card formatter from the following site.
SD Association homepage: <https://www.sdcard.org/home/>

- (9) FTC supports FAT file system but not NTFS file system.
- (10) Mitsubishi Electric is not liable for any damages, in whole or in part, including failure of writing to an SD memory card, and corruption and loss of the saved data, or the like. Back up saved data as necessary.
- (11) Do not touch any electronic parts on the FTC control board when inserting or ejecting an SD memory card, or else the control board could fail.

- (a) For insertion, push on the SD memory card until it clicks into place.
 - (b) For ejection, push on the SD memory card until it clicks.
- Note: To avoid cutting fingers, do not touch sharp edges of the SD memory card connector (CN108) on the FTC control board.**



Logos



Capacities

2 GB to 32 GB *2

SD speed classes

All

- The SD Logo is a trademark of SD-3C, LLC.
The miniSD logo is a trademark of SD-3C, LLC.
The microSD logo is a trademark of SD-3C, LLC.

*1 To edit main remote controller settings or to check operating data, an ecodan service tool (for use with PC) is required.

*2 A 2-GB SD memory card stores up to 30 days of operation logs.

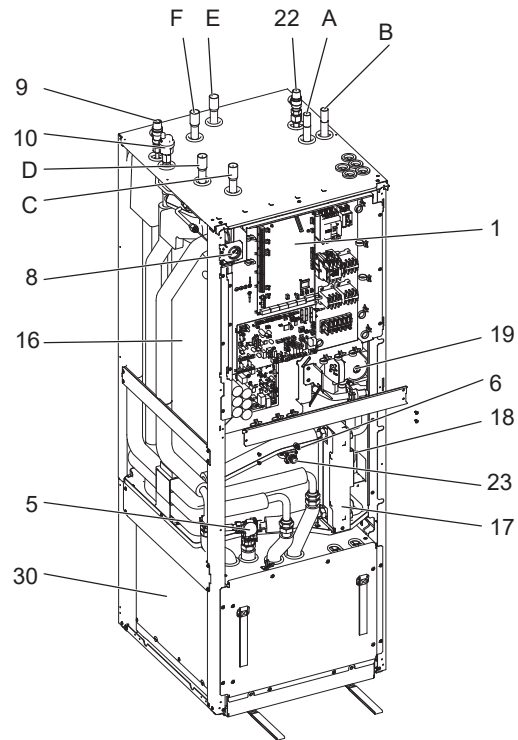
6 Ground source heat pump (GSHP)

6.5. Water circuit diagrams

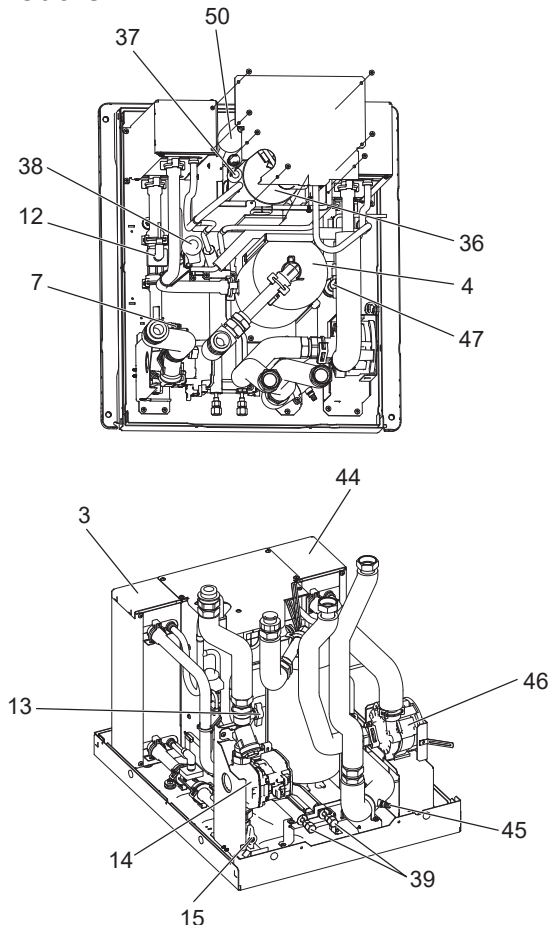
6.5.1 Component Parts

No.	Part name
A	DHW outlet pipe
B	Cold water inlet pipe
C	Water pipe (Space heating return connection)
D	Water pipe (Space heating flow connection)
E	Brine pipe (Bore hole return connection)
F	Brine pipe (Bore hole flow connection)
1	Control and electrical box
2	Main remote controller
3	Plate heat exchanger (Refrigerant - Water)
4	Booster heater 1,2
5	3-way valve
6	Manual air vent
7	Drain cock (Primary circuit)
8	Manometer
9	Pressure relief valve (3bar)
10	Automatic air vent
11	Expansion vessel (Optional parts)
12	Flow sensor
13	Strainer valve
14	Water circulation pump 1 (Primary circuit)
15	Pump valve
16	DHW tank
17	Plate heat exchanger (Water - Water)
18	Scale trap
19	Water circulation pump (Sanitary circuit)
20	Immersion heater (Optional parts)
21	Level vessel (Local supply)
22	Pressure relief valve (10bar) (DHW Tank)
23	Drain cock (DHW tank)
24	Pressure relief valve (3bar) (Local supply)
25	Flow water temp. thermistor (THW1)
26	Return water temp. thermistor (THW2)
27	DHW tank water temp. thermistor (THW5A)
28	DHW tank water temp. thermistor (THW5B)
29	Refrigerant liquid temp. thermistor (TH2)
30	Module
31	Drain pipe (Local supply)
32	Back flow prevention device (Local supply)
33	Isolating valve (Local supply)
34	Magnetic filter (Local supply) (Recommended)
35	Manometer (Local supply)
36	Compressor
37	High-pressure switch/sensor
38	Linear expansion valve
39	Charge plug
40	Liquid temp. thermistor (TH3)
41	Discharge temp. thermistor (TH4)
42	Ambient temp. thermistor (TH7)
43	Heat sink temp. thermistor (TH8)
44	Plate heat exchanger (Brine - Refrigerant)
45	Drain cock (Brine circuit)
46	Brine circulation pump
47	Flow switch
48	Brine inlet temp. thermistor (TH32)
49	Brine outlet temp. thermistor (TH34)
50	Muffler

<Overall>



<Module>



<Table 6.5.1>

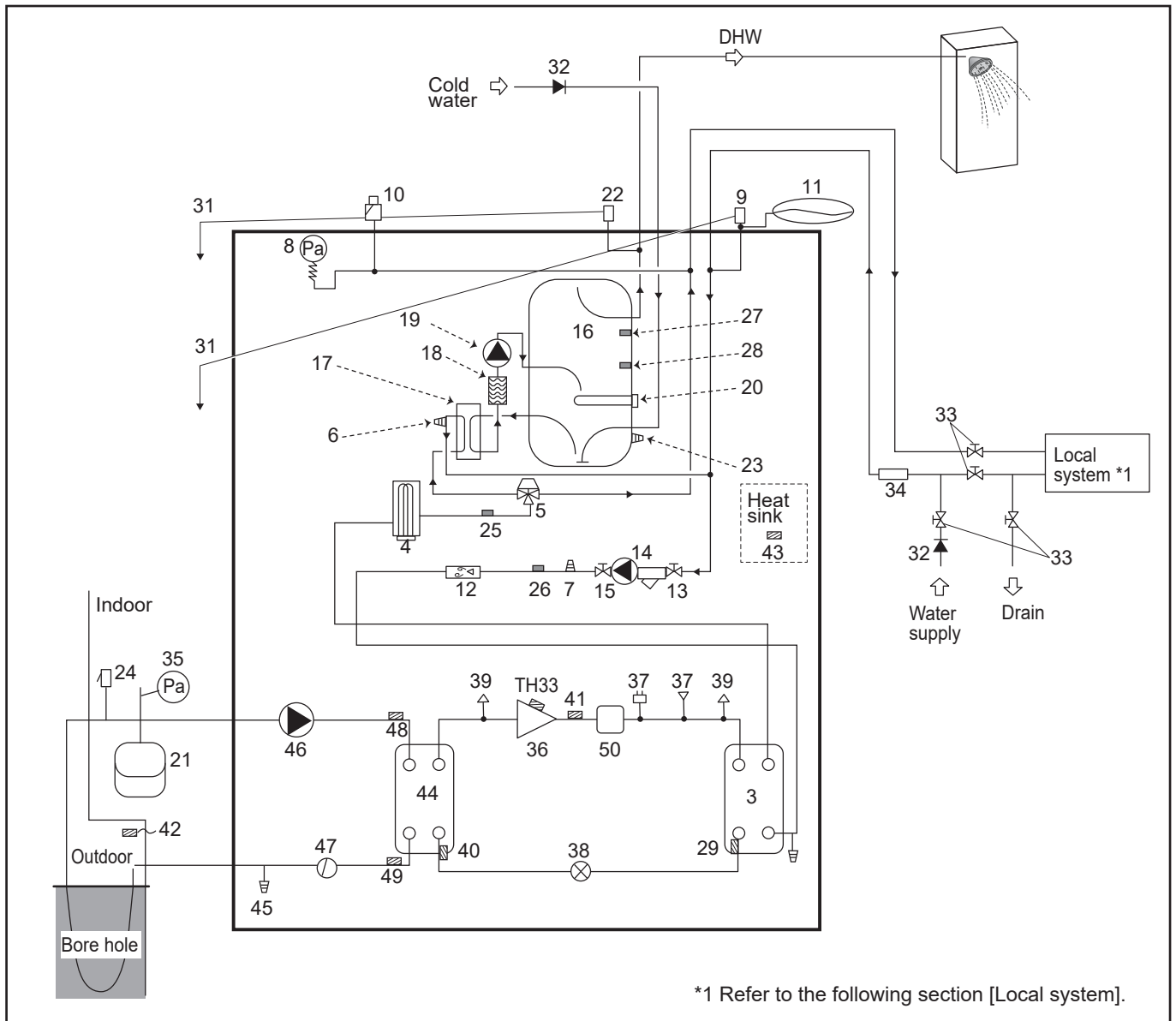
Note:
For parts not shown above figure, please refer to 'Circuit diagram'.

<Figure 6.5.1>

6 Ground source heat pump (GSHP)

6.5.2 Circuit diagram

- Refer to <Table 6.5.1> for the part names.



<Figure 6.5.2>

Note

- To enable draining of the heat pump unit an isolating valve should be positioned on both the inlet and outlet pipework.
- Be sure to install a strainer on the inlet pipework to the heat pump unit.
- Suitable drain pipework should be attached to all relief valves in accordance with your country's regulations.
- A backflow prevention device must be installed on the cold water supply pipework (IEC 61770)
- When using components made from different metals or connecting pipes made of different metals insulate the joints to prevent any corrosive reaction taking place which may damage the pipework.

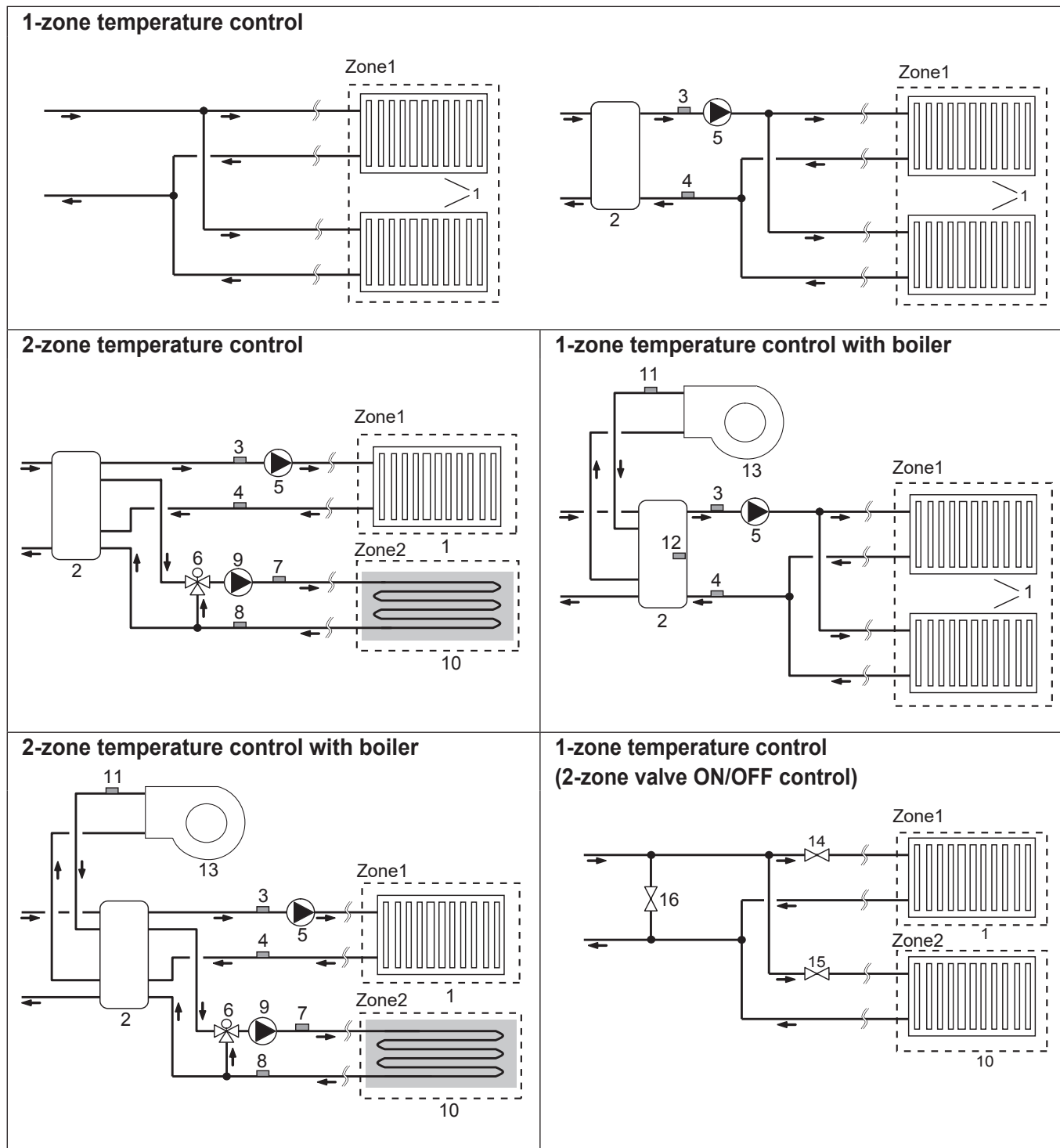
Model name	EHGT17D-YM9ED
Maximum supply pressure to the pressure reducing valve	16 bar
Operating pressure (Potable side)	3.5 bar
Expansion vessel charge setting pressure (Potable side)	3.5 bar
Expansion valve setting pressure (Potable side)	6.0 bar
Immersion heater specification (Potable side) *	1000 W, 230 V
DHW tank capacity	170 L
Mass of the unit when full	360 kg
Maximum primary working pressure	2.5 bar

* EN60335/Type 1000W single phase 230V 50Hz, length 460 mm.
Use only Mitsubishi Electric service parts as a direct replacement.

6 Ground source heat pump (GSHP)

6.5.3 Local system

Cylinder unit
Hydrobox/GSHP/WTW



- | | |
|--|--|
| 1. Zone1 heat emitters (e.g. radiator, fan coil unit) (local supply) | 10. Zone2 heat emitters (e.g. underfloor heating) (local supply) |
| 2. Mixing tank (local supply) | 11. Boiler flow water temp. thermistor (THWB1) |
| 3. Zone1 flow water temp. thermistor (THW6) | 12. Mixing tank thermistor (THW10) |
| 4. Zone1 return water temp. thermistor (THW7) | 13. Boiler (local supply) |
| 5. Zone1 water circulation pump (local supply) | 14. Zone1 2-way valve (local supply) |
| 6. Motorized mixing valve (local supply) | 15. Zone2 2-way valve (local supply) |
| 7. Zone2 flow water temp. thermistor (THW8) | 16. Bypass valve (local supply) |
| 8. Zone2 return water temp. thermistor (THW9) | |
| 9. Zone2 water circulation pump (local supply) | |
- } Optional part :
PAC-TH011-E } PAC-TH012HT-E

6 Ground source heat pump (GSHP)

6.6. Installation

<Preparation before the installation and service>

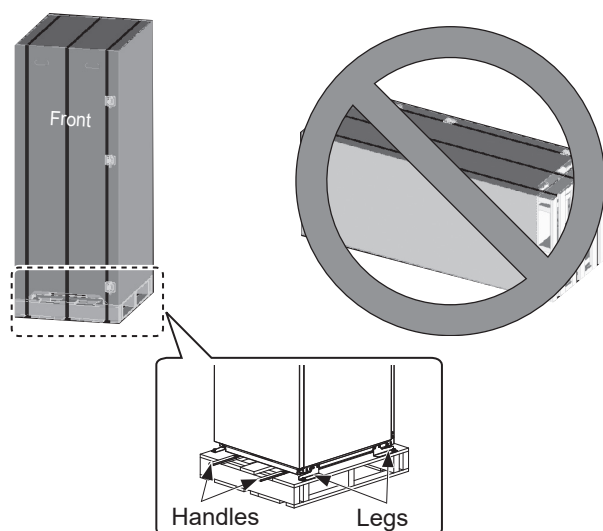
- Prepare the proper tools.
- Prepare the proper protection.
- Allow parts to cool before attempting any maintenance.
- Provide adequate ventilation.
- After stopping the operation of the system, turn off the power-supply breaker and remove the power plug.
- Discharge the capacitor before commencing work involving the electric parts.

<Precautions during service>

- Do not perform work involving electric parts with wet hands.
- Do not pour water or liquid into the electric parts.
- Do not touch the refrigerant.
- Do not touch the hot or cold surfaces in the refrigerant cycle.
- When the repair or the inspection of the circuit needs to be carried out without turning off the power, exercise great caution NOT to touch any LIVE parts.

6.6.1 Location

■ Transportation and Handling



<Figure 6.6.1>

The heat pump unit is delivered on a wooden pallet base with cardboard protection.

Care should be taken when transporting the heat pump unit that the casing is not damaged by impact. Do not remove the protective packaging until heat pump unit has reached its final location. This will help protect the structure and control panel.

- The heat pump unit can be transported **ONLY** vertically. **The maximum allowable inclination is 45°**. If carried horizontally Module **MUST** be separated * <see How to remove the module>. (during installation)
- The heat pump unit should **ALWAYS** be moved by a minimum of 2 people.
- When carrying the heat pump unit use the handles provided.
- Before using the handles, make sure they are securely attached.
- **Please remove fixing legs, wooden base and any other packaging once the unit is in installation location.**

* Module removal, carrying and reassembling are installer's responsibility.

■ Suitable Location

Before installation the heat pump unit should be stored in a frost-free weatherproof location. Units must **NOT** be stacked.

- The heat pump unit should be installed indoors in a frost free weather proof location.
- The heat pump unit should be positioned on a level surface capable of supporting its **FILLED** weight. (Adjustable feet (accessory parts) can be used to ensure unit is level)
- When using the adjustable feet, ensure that the floor is strong enough.
- Care should be taken that minimum distances around and in front of the unit for service access are observed <Figure 6.6.2>.
- Secure the heat pump unit to prevent it being knocked over.
- Install the heat pump unit where it is not exposed to water/ excessive moisture.

■ Service access diagrams

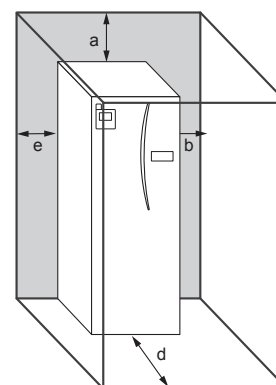
Service access	
Parameter	Dimension (mm)
a	300
b	150
c (distance behind unit not visible in Figure 6.6.2)	10
d	700**
e	150*

<Table 6.6.1>

* An additional space is required, when brine pipe connecting to the side.

** Including Module removal space service

Sufficient space **MUST** be left for the provision of discharge pipework as detailed in National and Local Building Regulations.



<Figure 6.6.2>
Service access

The heat pump unit must be located indoors and in a frost-free environment, for example in a utility room, to minimise heat loss from stored water.

6 Ground source heat pump (GSHP)

■ Room thermostat

If fitting a new room thermostat for this system;

- Position it out of direct sunlight and draughts
- Position it away from internal heat sources
- Position it in a room without a TRV on the radiator/heat emitter.
- Position it on an internal wall

Note:

Do not position the thermostat excessively close to the external wall.

The thermostat may detect the temperature of the wall, which could affect appropriate control of the room temperature.

- Position it approx. 1.5 m from floor level

■ Outdoor temperature thermistor (TH7)

Please install the outdoor thermistor (TH7) in a place where external influences such as rain, wind and sunlight are minimized.

■ Repositioning

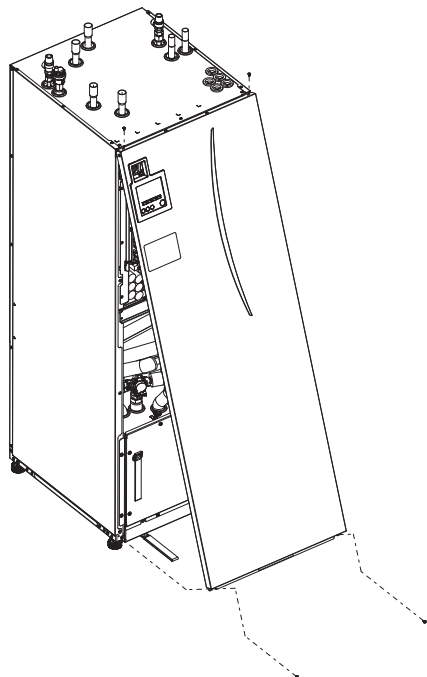
If you need to move the heat pump unit to a new position FULLY DRAIN the heat pump unit before moving to avoid damage to the unit.

⚠ Warning

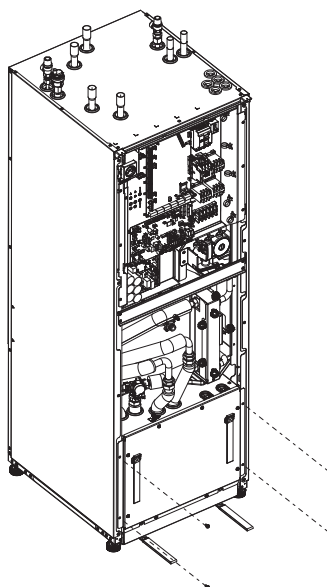
Refrigerant pipes connection shall be accessible for maintenance purposes.

■ How to remove the module

1. Remove the FRONT PANEL (four screws)



2. Remove the four screws that fix the MODULE FRONT and FRAME



3. CYLINDER - MODULE

<WIRE>

Remove the 6 connectors from the MODULE BOX. Remove the wires from the top of the MODULE BOX and the wire clamps on the External P-HEX.

· UNIT SIDE

Put them together under the CONT BOX

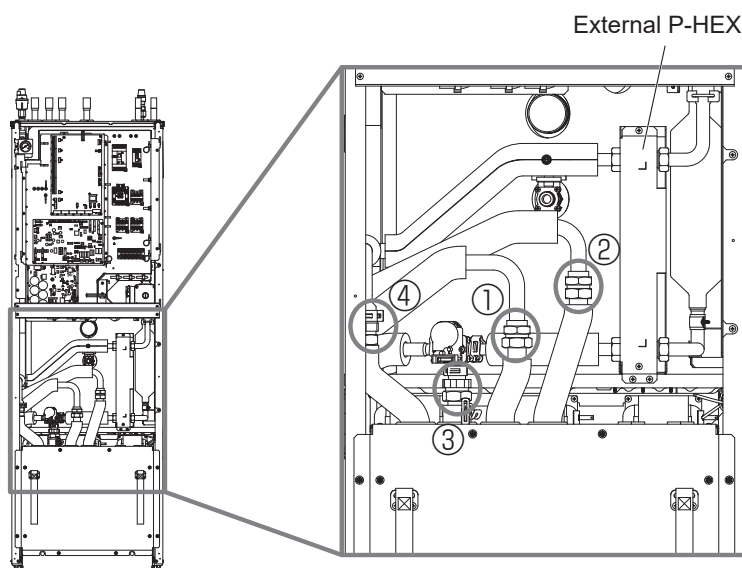
· MODULE SIDE

Put them together on the MODULE BOX

<PIPE>

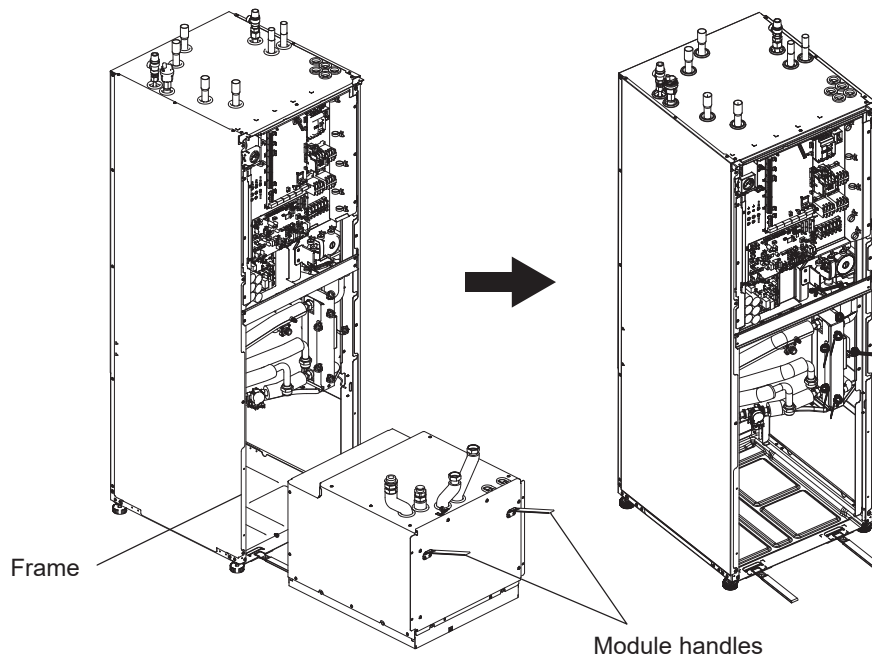
Remove the following four point.

- ① BRINE PUMP - BRINE IN
- ② BRINE PUMP - BRINE OUT
- ③ 3 WAY VALVE - BOOSTER HEATER
- ④ WATER PUMP - WATER IN



6 Ground source heat pump (GSHP)

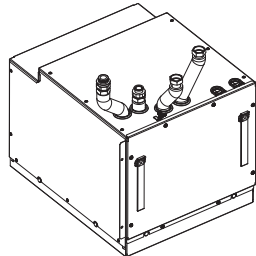
4. Pull the MODULE BOX out by using the MODULE HANDLES



5. After pulling MODULE BOX out

Fit the cap or plastic bag etc. (local supply) on flexible pipes.

Please bundle the wires during transportation and secure them with band etc. on the module.



* The module is installed in reverse order.

When returning the Module unit assy to the unit, be careful not to get your hands caught between the unit and the Module unit assy. Hold the module unit assy with nylon bands (Module handles), not the corners of it.

6 Ground source heat pump (GSHP)

6.6.2 Water/Brine Quality and System Preparation

<Water>

■ General

- The water in both primary and sanitary circuit should be clean and with pH value of 6.5-8.0
- The followings are the maximum values;
Calcium: 100mg/L, Ca hardness: 250mg/L
Chloride: 100mg/L, Copper: 0.3mg/L
- Other constituents should be to European Directive 98/83 EC standards.
- In known hard water areas, to prevent/minimise scaling, it is beneficial to restrict the routine stored water temperature (DHW max. temp.) to 55°C.

■ Anti-Freeze

Anti-freeze solutions should use propylene glycol with a toxicity rating of Class 1 as listed in Clinical Toxicology of Commercial Products, 5th Edition.

Note:

1. Ethylene glycol is toxic and should NOT be used in the primary water circuit in case of any cross-contamination of the potable circuit.
2. For 2-zone valve ON/OFF control, propylene glycol should be used.

■ Installation (primary water circuit)

- Before installation heat pump unit, thoroughly cleanse pipework of building debris, solder etc using a suitable chemical cleansing agent.
- Flush the system to remove chemical cleanser.
- The responsible installer should decide if anti-freeze solution is necessary for each site's conditions. Corrosion inhibitor however should ALWAYS be used.

When using chemical cleansers and inhibitors always follow manufacturer's instructions and ensure the product is appropriate for the materials used in the water circuit.

<Brine>

■ General

- **MUST** fill the following antifreeze solution when filling the brine circuit.
38 WT% propylene glycol
29 WT% bioethanol
25 WT% ethylene glycol

Note: DO NOT use Inorganic brine.

- As the temperature of brine system can fall below 0 °C it must be protected against freezing down to -15 °C.
- Max length per coil for the collector should not exceed 400 m.
- In those cases where it is necessary to have several collectors, these should be connected in parallel with the possibility for adjusting the flow of the relevant coil.
- For surface soil heat, the hose should be buried at a depth determined by local conditions and the distance between the hoses should be at least 1 metre.
- For several bore holes, the distance between the holes must be determined according to local conditions.
- Ensure the collector hose rises constantly towards the heat pump unit to avoid air pockets. If this is not possible, airvents should be used.
- Fit the supplied particle filter on the incoming pipe.
- Use the heat pump unit ONLY in a closed system for brine circuit. Using the system in an open system will lead to excessive corrosion.

■ Installation (brine circuit)

- Before installation heat pump unit, thoroughly cleanse pipework of building debris, solder etc using a suitable chemical cleansing agent.
- Flush the system to remove chemical cleanser.

When using chemical cleansers and inhibitors always follow manufacturer's instructions and ensure the product is appropriate for the materials used in the circuit.

■ Amount of brine required in the brine circuit

- As a measure of the brine filling amount, please make 1L/m of collector hose.

■ How to access Internal Components and Control and Electrical Box

<A> Opening the front panel

1. Remove the two lower screws and two upper screws.
2. Slide front panel upwards to slightly and open carefully.
3. Disconnect the relay connector connecting main remote controller cable and the control board cable.

 Accessing the back of the control and electrical box

The control and electrical box has 6 holding screws and is hinged on the right hand side.

1. Remove the holding screws on the control and electrical box.
2. The control and electrical box can then be swung forward on the right hand hinges.

Note:

After servicing, re-secure all cables using straps provided. Reconnect main remote controller cable to its relay connector. Replace front panel and resecure screws at base.

6 Ground source heat pump (GSHP)

6.6.3 Water Pipe Work

■ Hot Water Pipework

Connect the flow for the DHW to pipe A (Figure 6.5.1).

The function of the following safety components of the heat pump unit should be checked on installation for any abnormalities;

- Pressure relief valve (Primary circuit and Tank)
- Expansion vessel pre-charge (gas charge pressure)

The instruction on the following pages regarding safe discharge of hot water from Safety devices should be followed carefully.

- The pipework will become very hot, so should be insulated to prevent burns.
- When connecting pipework, ensure that no foreign objects such as debris or the like do not enter the pipe.

■ Cold Water Pipework

Cold water to the suitable standard (see section 4.2) should be introduced to the system by connecting pipe B (Figure 6.5.1) using appropriate fittings.

■ Negative pressure prevention

To prevent negative pressure effecting DHW tank, installer should install appropriate pipework or use appropriate devices.

■ Filling the System (Primary Circuit)

1. Check and charge expansion vessel.
2. Check all connections including factory fitted ones are tight.
3. Insulate pipework.
4. Thoroughly clean and flush, system of all debris. (see section 6.6.2 for instruction.)
5. Fill heat pump unit with potable water. Fill primary heating circuit with water and suitable anti-freeze and inhibitor as necessary. Always use a filling loop with double check valve when filling the primary circuit to avoid back flow contamination of water supply.

When connecting metal pipes of different materials insulate the joints to prevent a corrosive reaction taking place which will damage the pipework.

6. Check for leakages. If leakage is found, retighten the nut onto the connections.
7. Pressurise system to 1 bar.
8. Release all trapped air using air vents during and following heating period.
9. Top up with water as necessary. (If pressure is below 1 bar)

■ Pipework Connections

Connections to the heat pump unit should be made using the 22 mm or 28 mm compression as appropriate.

DHW pipe (accessory parts) into the pipes and tighten them from 0.75 to 1.25 turns.

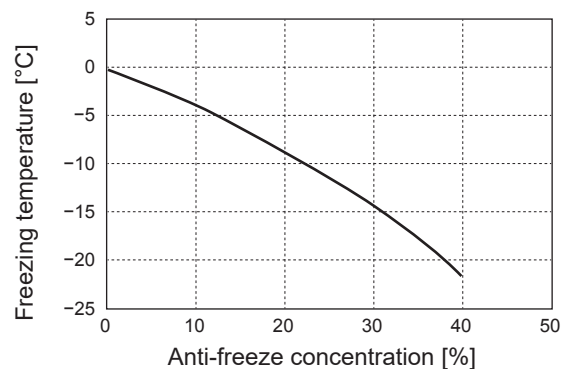
Do not over-tighten compression fittings as this will lead to deformation of the olive ring and potential leaks.

Note:

To weld the pipes in the field, cool the pipes on the heat pump unit using wet towel etc.

■ Insulation of Pipework

- All exposed water pipework should be insulated to prevent unnecessary heat loss and condensation. To prevent condensate entering the heat pump unit, the pipework and connections at the top of the heat pump unit should be carefully insulated.
- Cold and hot water pipework should not be run close together where possible, to avoid unwanted heat transfer.
- Pipework should be insulated with suitable pipe insulation material with a thermal conductivity of ≤ 0.04 W/m.K.



<Figure 6.6.3>

6 Ground source heat pump (GSHP)

■ Sizing Expansion Vessels

Expansion vessel volume must fit the local system water volume.

To size an expansion vessel for the heating circuit the following formula and graph can be used.

For installation of the heat pump unit, provide and install an expansion vessel in the field as the model **DOES NOT** come fitted with an expansion vessel.

$$V = \frac{\epsilon \times G}{1 - \frac{P_1 + 0.098}{P_2 + 0.098}}$$

Where;

- V : Necessary expansion vessel volume [L]
- ε : Water expansion coefficient
- G : Total volume of water in the system [L]
- P₁ : Expansion vessel setting pressure [MPa]
- P₂ : Max. pressure during operation [MPa]

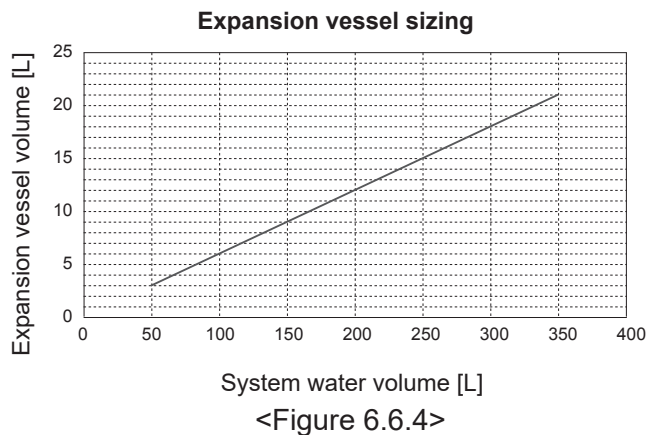
Graph to the right is for the following values

ε : at 70 °C = 0.0229

P₁ : 0.1 MPa

P₂ : 0.3 MPa

*A 30% safety margin has been added.



<Figure 6.6.4>

6.6.4 Water Circulation Pump Characteristics

1. Primary circuit

Pump speed can be selected by main remote controller setting (see <Figure 6.6.5>).

Adjust the pump speed setting so that the flow rate in the primary circuit is appropriate for the Table 6.6.2. It may be necessary to add an additional pump to the system depending on the length and lift of the primary circuit.

<Second pump >

If a second pump is required for the installation please read the following carefully.

If a second pump is used in the system it can be positioned in 2 ways.

The position of the pump influences which terminal of the FTC the signal cable should be wired to. If the additional pump(s) have current greater than 1A please use appropriate relay. Pump signal cable can either be wired to TBO.1 1-2 or CNP1 but NOT both.

Option 1 (Space heating only)

If the second pump is being used for the heating circuit only then the signal cable should be wired to TBO.1 terminals 3 and 4 (OUT2). In this position the pump can be run at a different speed to the heat pump unit's in-built pump.

2. Sanitary circuit

Default setting: Speed 2

DHW circulation pump MUST be set to speed 2.

■ Immersion heater (Optional part)

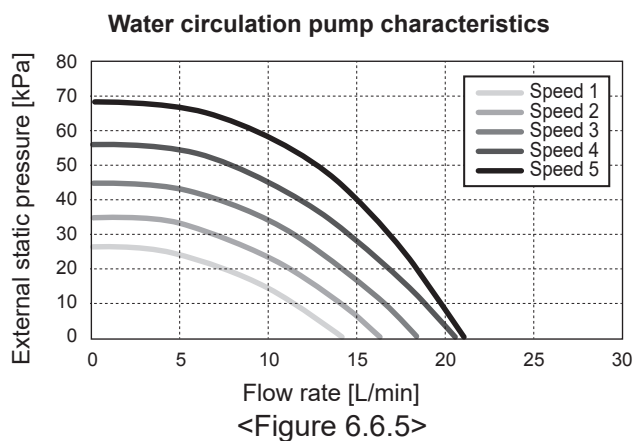
When an immersion heater is fitted, do NOT energise the heater until the DHW tank is full of water. Also do NOT energise any immersion heater if any sterilisation chemicals remain in the DHW tank as this will cause premature failure of the heater.

Water flow rate range [L/min]	7.1-27.7
-------------------------------	----------

<Table 6.6.2>

* If the water flow rate is less than 7.1 L/min, the flow rate error will be activated.

If the water flow rate exceeds 27.7 L/min, the flow speed will be greater than 1.5 m/s, which could erode the pipes.



<Figure 6.6.5>

6 Ground source heat pump (GSHP)

6.6.5 Brine Pipe Work

■ Pipework Connections

Connections to the heat pump unit should be made using the 28 mm compression as appropriate.

Do not over-tighten compression fittings as this will lead to deformation of the olive ring and potential leaks.

Note:

To weld the pipes in the field, cool the pipes on the heat pump unit using wet towel etc.

■ Side Connections

It is possible to angle the brine connections, for connection to the side instead of top connection.

To angle out the connection:

1. Remove left side panel.
2. Cut the pipes to the desired length and angle the pipes in the desired direction.
3. Make a hole on the panel.
4. Fit the panel
5. Connect the pipes
6. Please fill in the gap between panel and brine pipes with insulation

Notes:

- For side connection, the pipe diameter is 22.2 mm.
- Triangle marks on left side panel shows centre of brine pipes.
- Noise from heat pump can be big.

■ Filling the System (Brine Circuit)

1. Check and charge expansion vessel or level vessel.
If level vessel is used, close the valve under the level vessel.
2. Check all connections including factory fitted ones are tight.
3. If you use filling pump, Connect the filling pump and return line on the brine system's filler connector.
4. Insulate all exposed brine pipework.
5. Thoroughly clean and flush, system of all debris. (see section 6.6.2 for instruction.)
6. Close the valve in the filler connector, open the valves on the filler connector.
7. Fill heat pump unit with potable brine with brine pump.

When connecting metal pipes of different materials insulate the joints to prevent a corrosive reaction taking place which will damage the pipework.

8. Check for leakages. If leakage is found, retighten the nut onto the connections.
9. Pressurise system to atmospheric pressure. Top up with water as necessary.
10. Close the valves on the filler connector, Open the three way valve in the filler connector.
11. If level vessel is used, open the valve under the level vessel.

■ Insulation of Pipework

- All exposed brine pipework should be insulated to prevent unnecessary heat loss and condensation. To prevent condensate entering the heat pump unit, the pipework and connections at the top of the heat pump unit should be carefully insulated.
- Brine inlet and outlet pipework should not be run close together where possible, to avoid unwanted heat transfer.
- Pipework between borehole and heat pump unit should be insulated with suitable pipe insulation material with a thermal conductivity of ≤ 0.04 W/m.K.

Brine pump manual operation

- Step1 Activate Brine pump manual operation
Needs Dip SW6-3:ON on C.B. before POWER ON
After that, LED1 on C.B. is lightning.
- Step2 SW6-1: OFF to ON
After that, Brine pump operates and LED 2 on C.B. is lighting.
SW6-1: ON to OFF
After that, Brine pump stops and LED 2 on C.B. lights out.
- Step3 If you need to finish the manual operation, please POWER OFF.
After that please return Dip SW6-3 on C.B. ON to OFF

Note:

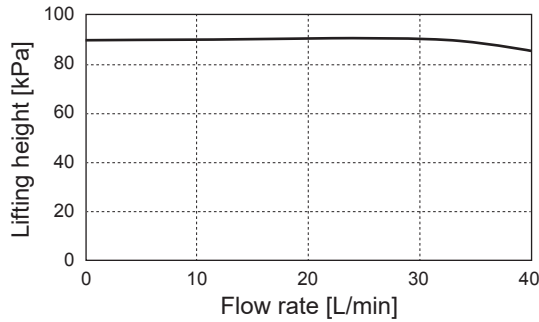
- If software detects Brine pump speed not more than 500rpm or over 5000 rpm for 1 minutes, brine pump stops and LED 2 lights 1 time. And Brine pump operation prohibits for 3 minutes. It is to protect abnormal operation and pump failure.
- If software detects low brine flow rate(63L detection) for 2 minutes 50 seconds, brine pump stops and LED 2 lights 2 times. And Brine pump operation prohibits for 3 minutes. It is to protect idling operation and pump failure.

6 Ground source heat pump (GSHP)

■ Brine Circulation Pump Characteristics

Pump speed can be changed by DIP Switch on C.B.(see Table 6.6.3)

Adjust the pump speed setting so that the flow rate in the brine circuit is appropriate for the unit (see Table 6.6.2) or borehole.



<Figure 6.6.6>

Brine flow rate range [L/min]	7.1-27.7
-------------------------------	----------

SW8-1	
OFF→ON	Activate correction

SW9				Speed correction	
1	2	3	4	Step	rpm
■	■	■	■	-7	2400
■	■	■	■	-6	2600
■	■	■	■	-5	2800
■	■	■	■	-4	3000
■	■	■	■	-3	3200
■	■	■	■	-2	3400
■	■	■	■	-1	3600
■	■	■	■	0	3800
■	■	■	■	1	4000
■	■	■	■	2	4200
■	■	■	■	3	4400
■	■	■	■	4	4500

Factory setting

<Table 6.6.3>

6.7 System Set Up

6.7.1 Main remote Controller Options

The heat pump unit comes factory fitted with a main remote controller. This incorporates a thermistor for temperature monitoring and a graphical user interface to enable set-up, view current status and input scheduling functions. The main remote controller is also used for servicing purposes. This facility is accessed via password protected service menus.

To provide the best efficiency Mitsubishi Electric recommends using automatic adaptation function based on room temperature. To use this function a room thermistor needs to be present in a main living area. This can be done in a number of ways the most convenient are detailed below.

Refer to heating section of this manual for instructions on how to set compensation curve, Flow temp. or Room temp. (Auto adaptation).

For instructions on how to set the thermistor input for the FTC please refer to Initial settings section.

The factory setting for space heating mode is set to Room temp. (auto adaptation). If there is no room sensor present in the system, this setting must be changed to either Compensation curve mode or Flow temp. mode.

6 Ground source heat pump (GSHP)

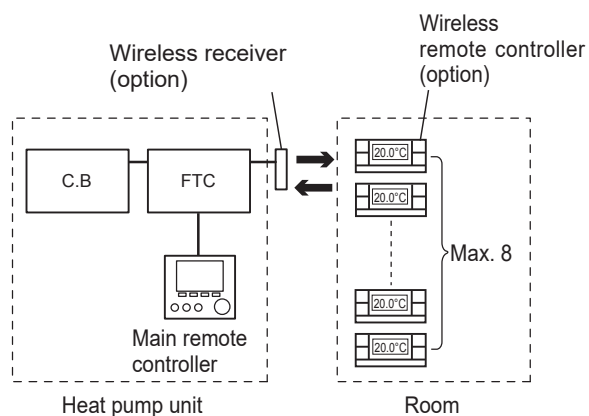
■ 1-zone temperature control

Control option A

This option features the main remote controller and the Mitsubishi Electric wireless remote controller. The wireless remote controller is used to monitor room temperature and can be used to make changes to the space heating settings, boost DHW and switch to holiday mode without having to directly use the main remote controller.

If more than one wireless remote controller is used, the most recently requested temperature setting will commonly be applied to all rooms by the central control system regardless of which wireless remote controller was used. No hierarchy exists across these remote controllers.

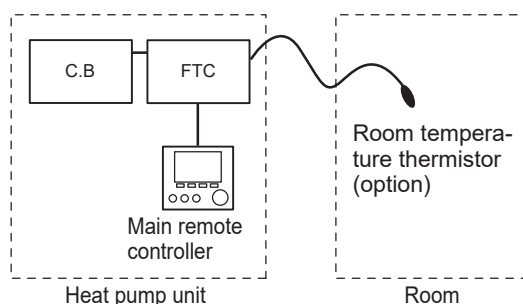
Wire the wireless receiver to FTC referring to the wireless remote controller instruction manual. **Turn DIP SW1-8 to ON.** Before operation configure the wireless remote controller to transmit and receive data referring to the wireless remote controller installation manual.



Control option B

This option features the main remote controller and the Mitsubishi Electric thermistor wired to FTC. The thermistor is used to monitor room temperature but can not make any changes in control operation. Any changes to DHW must be made using the main remote controller mounted on the heat pump unit.

Wire the thermistor to the TH1 connector on FTC. The number of room temperature thermistors that can be connected to FTC is always one.



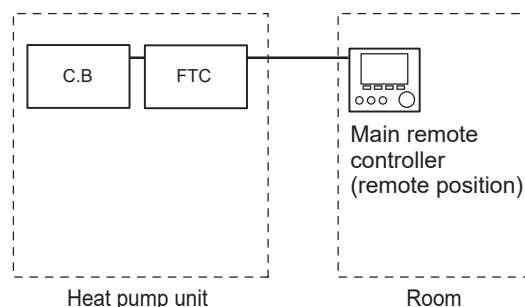
Control option C

This option features the main remote controller being removed from the heat pump unit and situated in a different room. A thermistor built in the main remote controller can be used for monitoring the room temperature for Auto Adaptation function whilst keeping all its features of the main remote controller available.

The main remote controller and FTC are connected by a 2-core, 0.3 mm², non-polar cable (local supply) with a maximum length of 500 m.

To use the sensor in the main remote controller the main remote controller should come off from the heat pump unit. Otherwise it will detect the temperature of the heat pump unit instead of room temperature. This will affect the output of the space heating.

Note: Wiring for main remote controller cable shall be (5 cm or more) apart from power source wiring so that it is not influenced by electrical noise from power source wiring. (Do NOT insert main remote controller cable and power source wiring in the same conduit.)

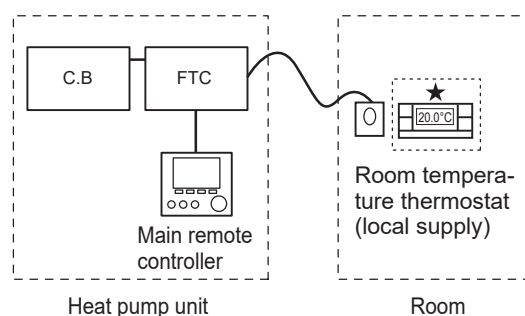


Control option D

This option features the main remote controller and a locally supplied thermostat wired to FTC. The thermostat is used to set the maximum temperature for heating room. Any changes to DHW must be made using main remote controller mounted on the heat pump unit.

The thermostat is wired to IN1 in TBI.1 on FTC. The number of thermostats that can be connected to FTC is always one.

★ The wireless remote controller can be also used as a thermostat.



6 Ground source heat pump (GSHP)

2-zone temperature control

Control option A

This option features the main remote controller, the Mitsubishi Electric wireless remote controller and a locally supplied thermostat. The wireless remote controller is used to monitor the Zone1 room temperature and the thermostat is used to monitor the Zone2 room temperature.

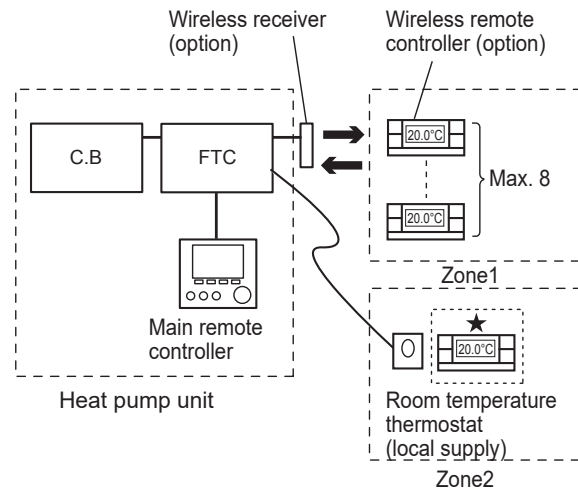
The thermostat can be also allocated to Zone1 and the wireless remote controller to Zone2.

The wireless remote controller can be also used to make changes to the space heating settings, boost DHW and switch to holiday mode without having to use the main remote controller.

If more than one wireless remote controller is used, the last temperature setting adjustment/demand will be applied to ALL rooms in same zone.

Wire the wireless receiver to FTC referring to the wireless remote controller instruction manual. Turn DIP SW1-8 to ON. Before operation configure the wireless remote controller to transmit and receive data referring to the wireless remote controller installation manual. The thermostat is used to set the maximum temperature for heating Zone2 room.

The thermostat is wired to IN6 on FTC. (If the thermostat is allocated to Zone1, it is wired to IN1 on TBI.1.) (Refer to 6.4.2.)



Zone1: Room temp. control (Auto adaptation)
 Zone2: Compensation curve or flow temp. control

Control option B

This option features the main remote controller, the Mitsubishi Electric thermistor and a locally supplied thermostat that are wired to FTC. The thermistor is used to monitor the Zone1 room temperature and the thermostat is used to control the Zone2 room temperature.

The thermostat can be also allocated to Zone1 and the thermistor to Zone2.

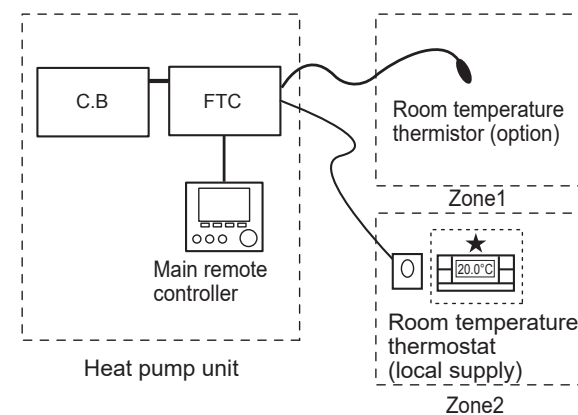
The thermistor can not make any changes in control operation. Any changes to DHW must be made using the main remote controller mounted on the heat pump unit.

Wire the thermistor to the TH1 connector on FTC.

The number of room temperature thermistors that can be connected to FTC is always one.

The thermostat is used to set the maximum temperature for heating Zone2 room.

The thermostat is wired to IN6 on FTC. (If the thermostat is allocated to Zone1, wire it to IN1 on TBI.1.) (Refer to 6.4.2.)



Zone1: Room temp. control (Auto adaptation)
 Zone2: Compensation curve or flow temp. control

6 Ground source heat pump (GSHP)

Control option C

This option features the main remote controller (with in-built thermistor) that is removed from the heat pump unit to monitor the Zone1 room temperature and a locally supplied thermostat to monitor the Zone2 room temperature.

The thermostat can be also allocated to Zone1 and the thermistor to Zone2.

A thermistor built into the main remote controller can be used for monitoring the room temperature for Auto Adaptation function whilst keeping all its features of the main remote controller available.

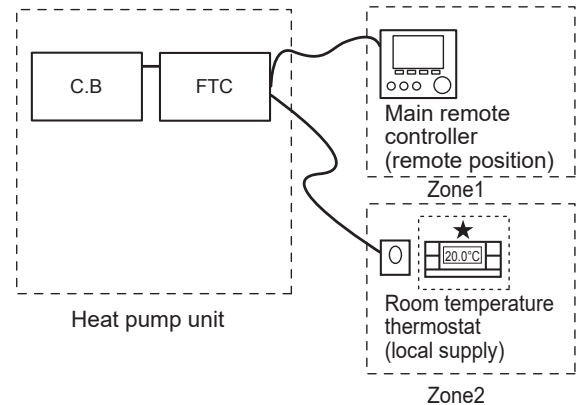
The main remote controller and FTC are connected by a 2-core, 0.3 mm², non-polar cable (local supply) with a maximum length of 500 m. To use the sensor in the main remote controller the main remote controller should be detached from the heat pump unit. Otherwise it will detect the temperature of the heat pump unit instead of room temperature. This will affect the output of the space heating.

The thermostat is used to set the maximum temperature for heating Zone2 room.

The thermostat is wired to IN6 on FTC. (If the thermostat is allocated to Zone1, wire it to external input IN1 on TBI.1.) (Refer to 6.4.2.)

Note:

Wiring for main remote controller cable shall be (5 cm or more) apart from power source wiring so that it is not influenced by electrical noise from power source wiring. (Do NOT insert main remote controller cable and power source wiring in the same conduit.)



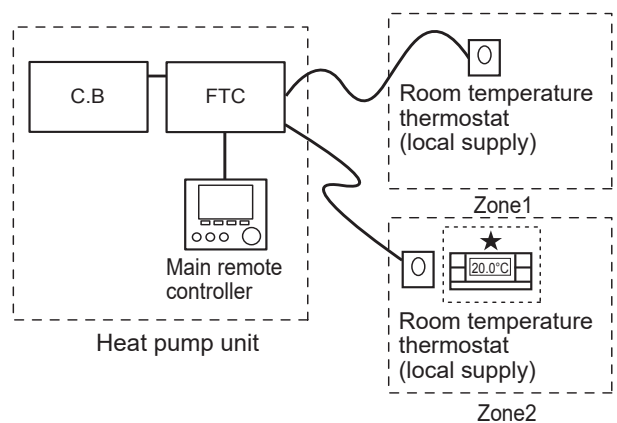
Zone1: Room temp. control (Auto adaptation)
Zone2: Compensation curve or flow temp. control

Control option D

This option features the locally supplied thermostats wired to FTC. The thermostats are individually allocated to Zone1 and Zone2. The thermostats are used to set each maximum temperature for heating Zone1 and Zone2 rooms. Any changes to DHW must be made using the main remote controller mounted on the heat pump unit.

The thermostat for Zone1 is wired to IN1 in TBI.1 on FTC.

The thermostat for Zone2 is wired to IN6 in TBI.1 on FTC.



Zone1, Zone2: Compensation curve or flow temp. control

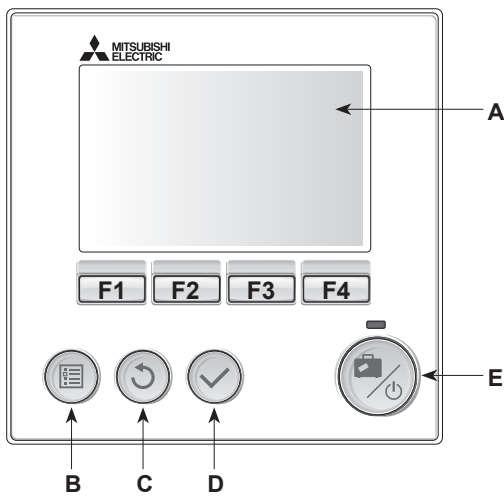
Note: For the options above, the sensor types can be exchanged between Zone1 and Zone2.

(e.g. Wireless remote controller in Zone1 and Room temp. thermostat in Zone2 can be changed to Room temp. thermostat and wireless remote controller, respectively).

★ The wireless remote controller can be also used as a thermostat.

6 Ground source heat pump (GSHP)

6.7.2 Main remote controller



<Main remote controller parts>

Letter	Name	Function
A	Screen	Screen in which all information is displayed.
B	Menu	Access to system settings for initial set up and modifications.
C	Back	Return to previous menu.
D	Confirm	Used to select or save. (Enter key)
E	Power/Holiday	If system is switched off pressing once will turn system on. Pressing again when system is switched on will enable Holiday Mode. Holding the button down for 3 seconds will turn the system off. (*1)
F1-4	Function keys	Used to scroll through menu and adjust settings. Function is determined by the menu screen visible on screen A.

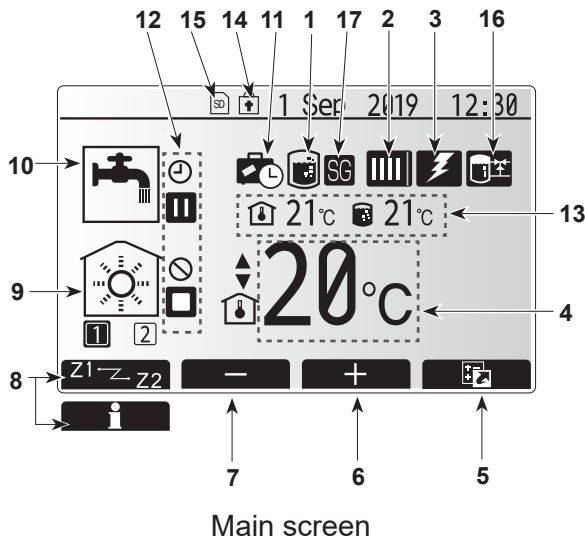
*1

When the system is switched off or the power supply is disconnected, the heat pump unit protection functions (e.g. freeze stat. function) will NOT operate. Please beware that without these safety functions enabled the heat pump unit may potentially become exposed to damage.

<Main screen icons>

Icon	Description
1 Legionella prevention	When this icon is displayed 'Legionella prevention mode' is active.
2 Heat pump	'Heat pump' is running. Emergency heating 'Quiet mode' is activated.
3 Electric heater	When this icon is displayed the 'Electric heaters' (booster or immersion heater) are in use.
4 Target temperature	Target flow temperature Target room temperature Compensation curve
5 OPTION	Pressing the function button below this icon will display the option screen.
6 +	Increase desired temperature.
7 -	Decrease desired temperature.
8 Z1-Z2	Pressing the function button below this icon switches between Zone1 and Zone2.
Information	Pressing the function button below this icon displays the information screen.
9 Space heating mode	Heating mode Zone1 or Zone2
10 DHW mode	Normal or Eco mode
11 Holiday mode	When this icon is displayed 'Holiday mode' activated.
12	Timer Prohibited Server control Stand-by Stop Operating
13 Current temperature	Current room temperature Current water temperature of DHW tank
14	The Menu button is locked or the switching of the operation modes between DHW and Heating operations are disabled in the Option screen. (*2)
15	SD memory card is inserted. Normal operation. SD memory card is inserted. Abnormal operation.
16 Buffer tank control	When this icon is displayed, 'Buffer tank control' is active.
17 Smart grid ready	When this icon is displayed, 'Smart grid ready' is active.

*2 To lock or unlock the Menu, press the BACK and CONFIRM keys simultaneously for 3 seconds.



Main screen

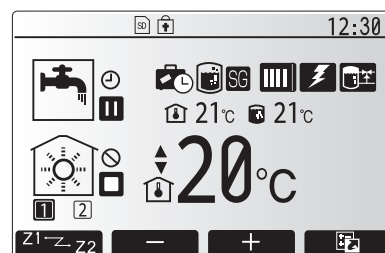
6 Ground source heat pump (GSHP)

■ General Operation

In general operation the screen displayed on the main remote controller will be shown as in the figure on the right.

This screen shows the target temperature, space heating mode, DHW mode, any additional heat sources being used, holiday mode, and the date and time.

You should use the function buttons to access more information. When this screen is displayed pressing F1 will display the current status and pressing F4 will take the user to the option menu screen.



Home screen

<Option screen>

This screen shows the main operating modes of the system. Use function buttons to switch between Operating (▶), Prohibited (⊘) and Timer (⌚) for DHW and space heating, or detailed information on energy or capacity.

The option screen allows quick setting of the following;

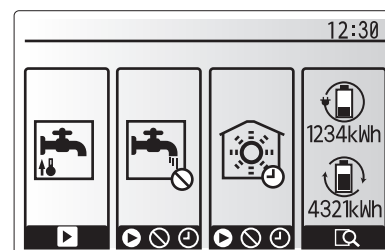
- Forced DHW — to turn ON/OFF press F1
- DHW operating mode — to change mode press F2
- Space heating operating mode — to change mode press F3
- Energy monitor

Following accumulated energy values are displayed.

⌚ : Consumed electrical energy in total (month-to-date)

🔥 : Delivered heat energy in total (month-to-date)

To monitor the energy values in each operation mode for [month-to-date/ last month/ the month before last/ year-to-date/ last year], press F4 to access to the Energy monitor menu.



Option screen

Note:

If a certain accuracy is required for the monitoring, the method to display captured data from external energy meter(s) should be set up. Contact your installer for further details.

■ Initial settings wizard

When the main remote controller is switched on for the first time, the screen automatically goes to Language setting screen, Date/Time setting screen and Main settings menu screen in order. Enter the desired number using the function keys and press CONFIRM.

Note:

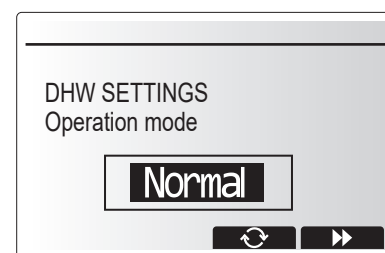
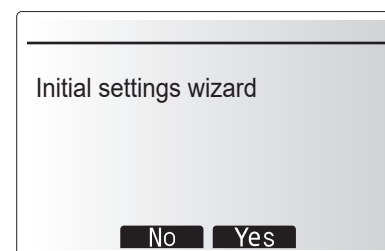
<HEATER CAPACITY RESTRICTION>

This setting restricts the booster heater capacity. It is NOT possible to change the setting after starting up.

If you do not have any special requirements (such as building regulations) in your country, skip this setting (select "No").

- Hot water (DHW/Legionella)
- Heating
- Operation mode (ON/Prohibited/Timer)
- Pump speed
- Heat pump flow rate range
- Mixing valve control
- HEATER CAPACITY RESTRICTION

*1 The screen goes to the next setting screen. Changes have not been saved.



6 Ground source heat pump (GSHP)

■ Main Settings Menu

The main settings menu can be accessed by pressing the MENU button. To reduce the risk of untrained end users altering the settings accidentally there are two access levels to the main settings; and the service section menu is password protected.

User Level – Short press

If the MENU button is pressed once for a short time the main settings will be displayed but without the edit function. This will enable the user to view current settings but **NOT** change the parameters.

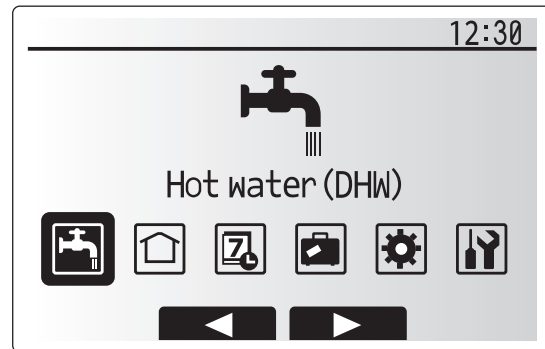
Installer Level – Long press

If the MENU button is pressed down for 3 seconds the main settings will be displayed with all functionality available.

The colour of ◀▶ buttons is inverted, as per right figure.

The following items can be viewed and/or edited (dependent on access level).

- Domestic Hot water (DHW)
- Heating
- Schedule timer
- Holiday mode
- Initial settings
- Service (Password protected)



Main menu









⚙ Initial Settings

1. From the main settings menu use F2 and F3 buttons to highlight 'Initial settings' icon and select by pressing CONFIRM.
2. Use F1 and F2 buttons to scroll through the menu list. When the required title is highlighted then press CONFIRM to edit.
3. Use the relevant function buttons to edit each initial setting then press CONFIRM to save the setting.

Initial settings that can be edited are

- Date/Time *Be sure to set it to the local standard time.
- Language
- Summer time
- Temp. display
- Contact number
- Time display
- °C/°F
- Room sensor settings

To return to the main settings menu press the BACK button.

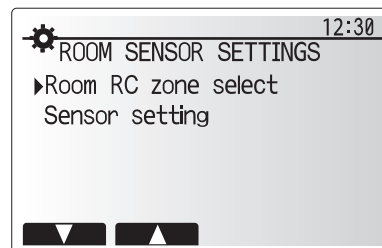
Icon	Description
	Hot water (DHW)
	Heating
	Schedule timer
	Holiday mode
	Initial settings
	Service

6 Ground source heat pump (GSHP)

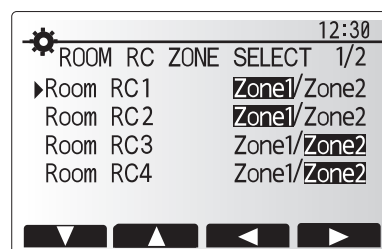
<Room sensor settings>

For room sensor settings it is important to choose the correct room sensor depending on the heating mode the system will operate in.

1. From the Initial settings menu select Room sensor settings.



2. When 2-zone temperature control is active and wireless remote controllers are available, from Room RC zone select screen, select zone No. to assign to each remote controller.



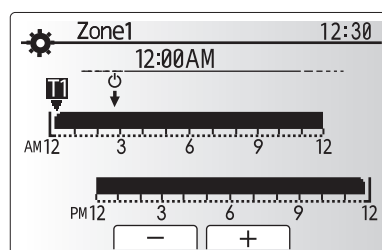
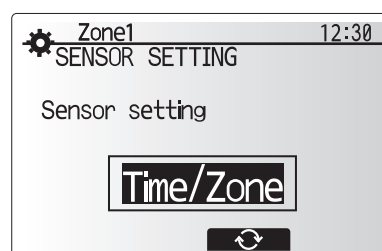
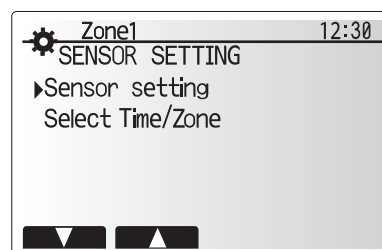
3. From Sensor setting screen, select a room sensor to be used for monitoring the room temperature from Zone1 and Zone2 separately.

Control option ("Remote Controller Options")	Corresponding initial settings room sensor	
	Zone1	Zone2
A	Room RC1-8 (one each for Zone1 and Zone2)	*
B	TH1	*
C	Main remote controller	*
D	*	*

* Not specified (if a field-supplied room thermostat is used)

Room RC1-8 (one each for Zone1 and Zone2) (if a wireless remote controller is used as a room thermostat)

4. From Sensor setting screen, select Time/Zone to make it possible to use different room sensors according to the time schedule set in the Select Time/Zone menu. The room sensors can be switched up to 4 times within 24 hours.



Time/Zone schedule setting screen

6 Ground source heat pump (GSHP)

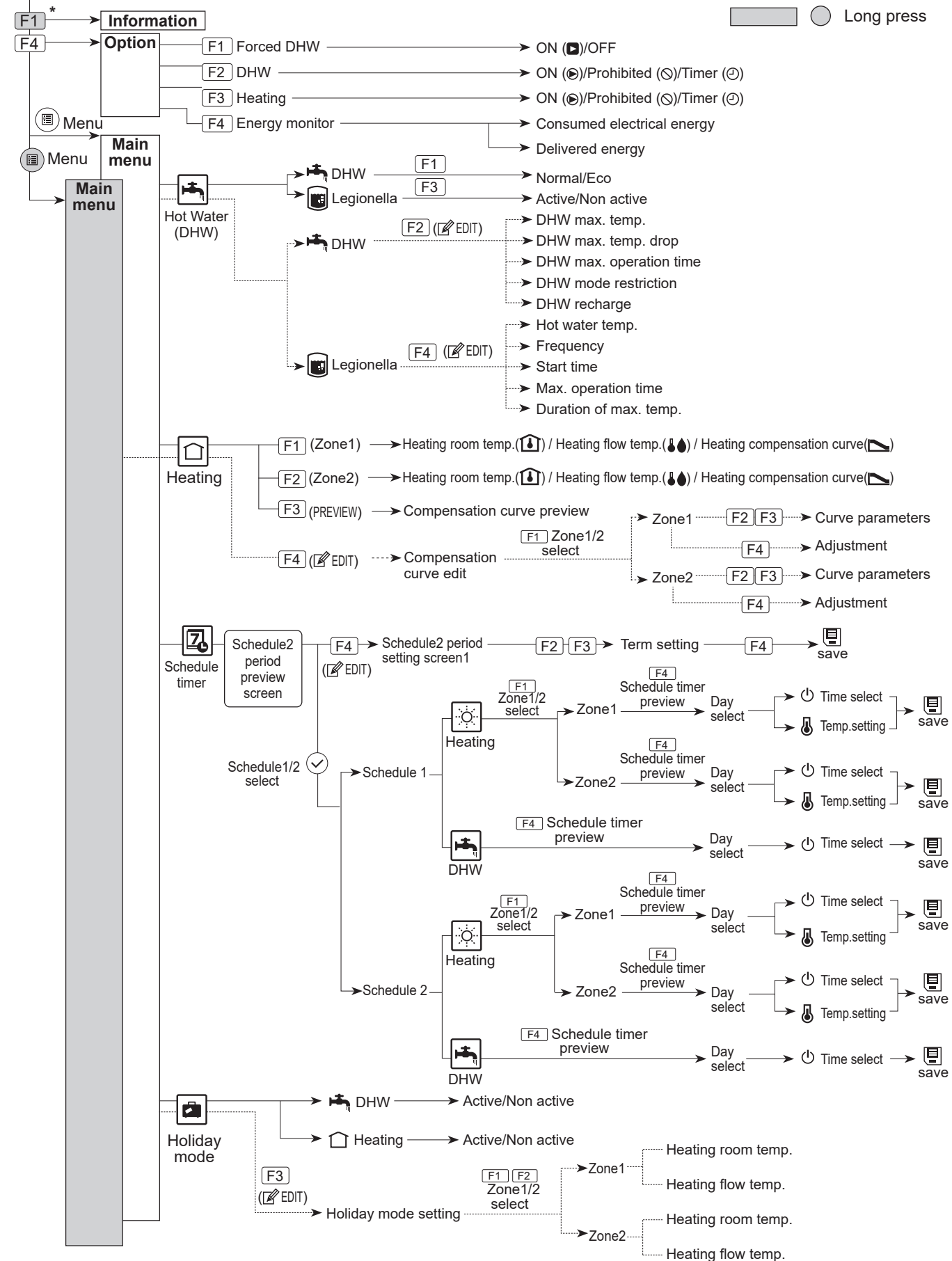
<Main Remote Controller Menu Tree>

Initial

Main screen * Short press for 1 Zone system.

— Unrestricted access
 - - - - - Installer only
 [Grey Box] [Circle] Long press

Cylinder unit/
Hydrobox/GSHP/WTW



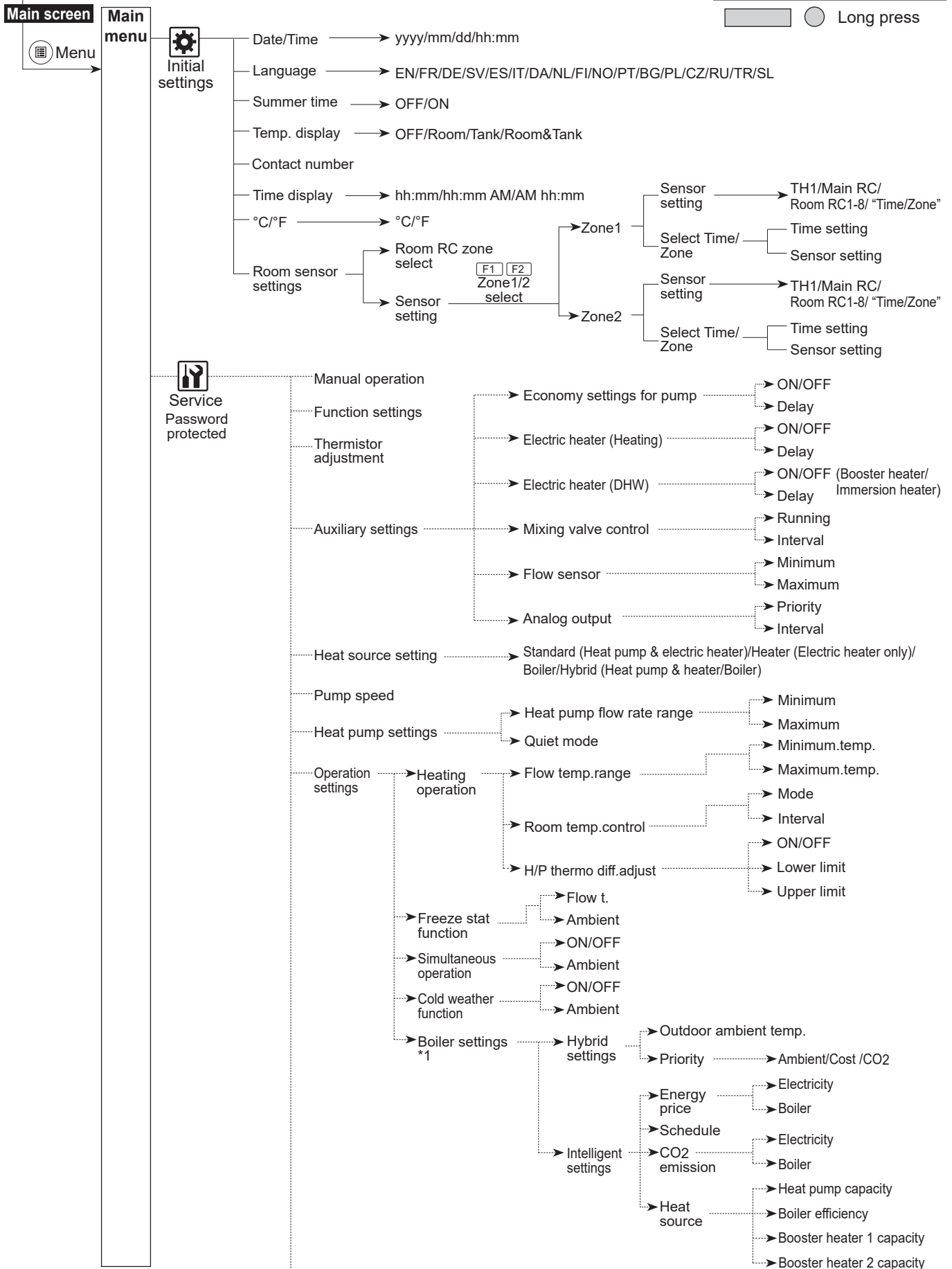
<Continued to next page.>

6 Ground source heat pump (GSHP)

<Continued from the previous page.>

<Main Remote Controller Menu Tree>

Initial



*1 For more details, refer to the installation manual of PAC-TH012HT-E.

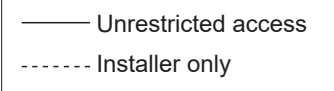
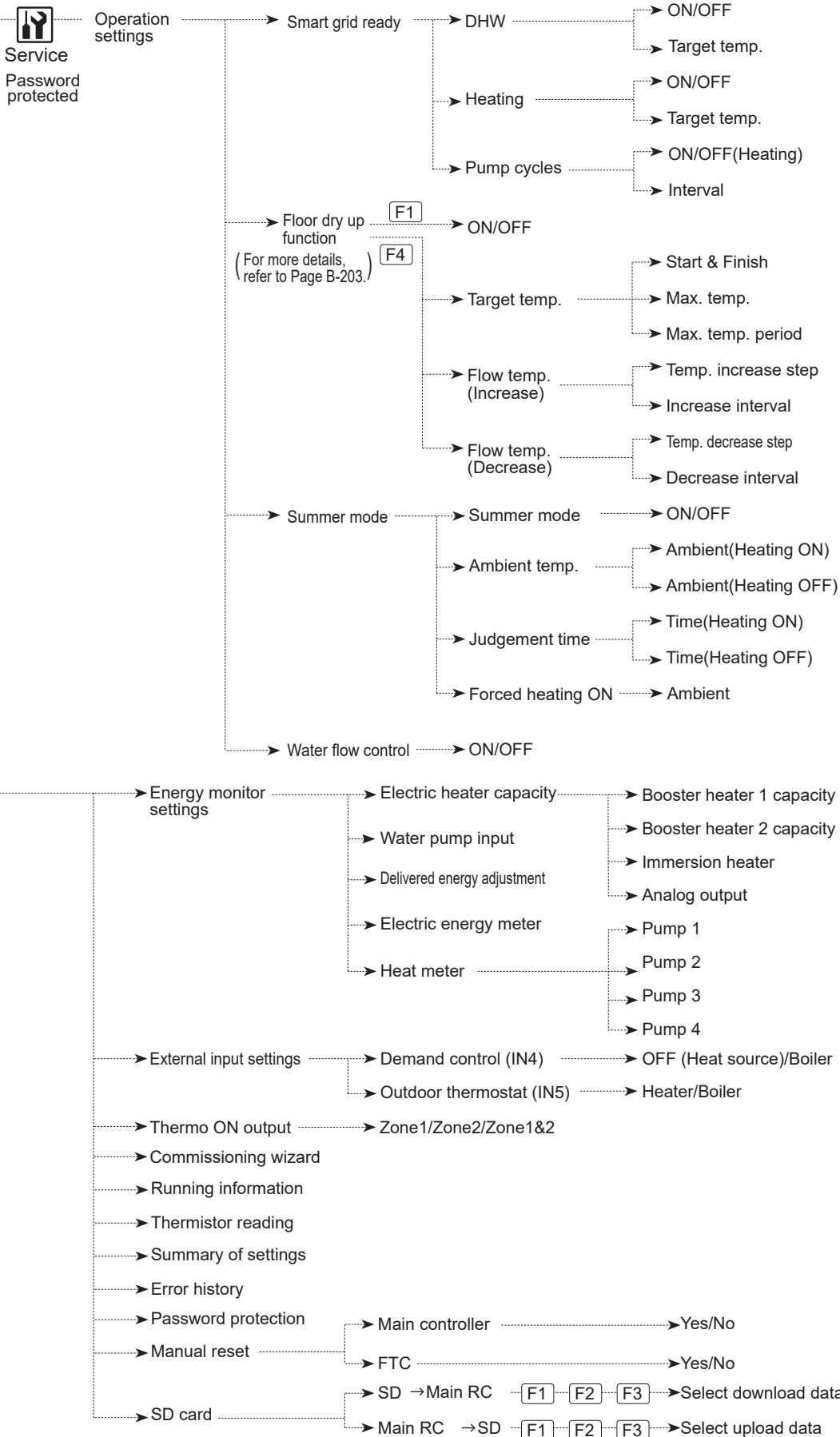
6 Ground source heat pump (GSHP)

<Continued from the previous page.>

<Main Remote Controller Menu Tree>

Initial

Main screen



Long press

Cylinder unit/ Hydrobox/GSHP/WTW

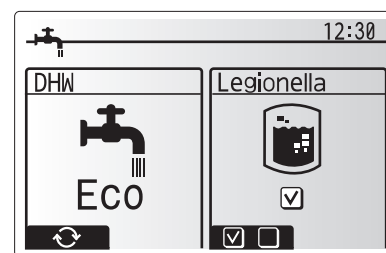
6 Ground source heat pump (GSHP)

Domestic Hot Water (DHW)/Legionella Prevention

The domestic hot water and legionella prevention menus control the operation of DHW tank heat ups.

<DHW mode settings>

1. Highlight the hot water icon and press CONFIRM.
2. Use button F1 to switch between Normal and Eco heating modes.
3. To edit the mode, press down the MENU button for 3 seconds, then select "hot water".
4. Press F2 key to display the HOT WATER (DHW) SETTING menu.
5. Use F2 and F3 keys to scroll through the menu selecting each component in turn by pressing CONFIRM. See the table below for description of each setting.
6. Enter the desired number using the function keys and press CONFIRM.



Menu subtitle	Function	Range	Unit	Default value
DHW max. temp.	Desired temperature of stored hot water	40 - 60	°C	50
DHW max. temp. drop	Difference in temperature between DHW max. temp. and the temperature at which DHW mode restarts	5 - 30	°C	10
DHW max. operation time	Max. time allowed for stored water heating DHW mode	30 - 120	min	60
DHW mode restriction	The time period after DHW mode when space heating has priority over DHW mode temporarily preventing further stored water heating (Only when DHW max. operation time has passed.)	30 - 120	min	30

* When the DHW max. temp is set over 55°C, the temperature at which DHW mode restarts must be less than 50°C to protect the device.

Explanation of DHW operation

- When the DHW tank temperature drops from "DHW max. temp." by more than the "DHW max. temp. drop" (set by installer), DHW mode operates and the flow from the primary heating circuit is diverted to heat the water in the DHW tank.
- When the temperature of the stored water reaches the 'DHW max. temp.' set by the installer or if the 'DHW max. operation time' set by the installer is exceeded DHW mode ceases to operate.
- Whilst DHW mode is in operation primary hot water is not directed to the space heating circuit.
- Directly after DHW max. operation time 'DHW mode restriction' will routinely operate. The duration of this feature is set by the installer and during its operation, DHW mode can not (normally) be reactivated, allowing time for the system to deliver primary hot water to the space heating if required. However, if at this time there is no current demand for space heating, the system will automatically resume DHW mode. This will continue until it receives a demand for space heating.
- After the 'DHW mode restriction' operation the DHW mode can operate again and DHW tank heating will continue according to system demand.

<Eco mode>

DHW mode can run in either 'Normal' or 'Eco' mode. Normal mode will heat the water in the DHW tank more quickly using the full power of the heat pump. Eco mode takes a little longer to heat the water in the DHW tank but the energy used is reduced. This is because heat pump operation is restricted using signals from the FTC based on measured DHW tank temperature.

Note: The actual energy saved in Eco mode will vary according to underground temperature.

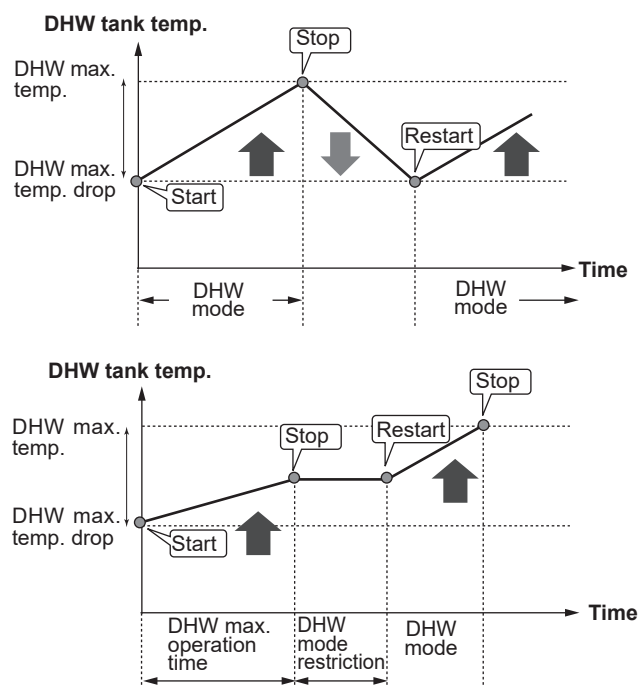
<DHW recharge>

Select the amount of DHW. If you need much hot water, select LARGE.

Return to the DHW/legionella prevention menu.

Note:

However, Large mode raises boiling-up frequency, resulting in increase in power consumption.



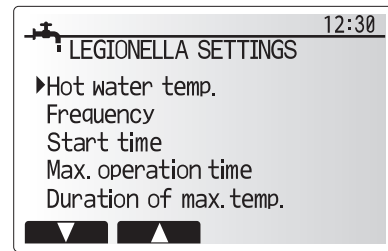
Forced DHW

The forced DHW function is used to force the system to operate in DHW mode. In normal operation the water in the DHW tank will be heated either to the set temperature or for the maximum DHW time, whichever occurs first. However should there be a high demand for hot water 'Forced DHW' function can be used to prevent the system from routinely switching to space heating and continue to provide DHW tank heating. Forced DHW operation is activated by pressing button F1 and Back button in the 'Option Screen'. After DHW operation finishes, the system will automatically return to normal operation. To cancel forced DHW operation hold down button F1 in the 'Option Screen'.

6 Ground source heat pump (GSHP)

Legionella Prevention Mode settings (LP mode)

1. Use button F3 to choose legionella mode active YES/NO.
2. To edit the legionella function, press down the MENU button for 3 seconds and select "hot water", then press F4 key.
3. Use F1 and F2 keys to scroll through the menu selecting each subtitle in turn by pressing CONFIRM. See the table below for description of each setting.
4. Enter the desired number using the function keys and press CONFIRM.



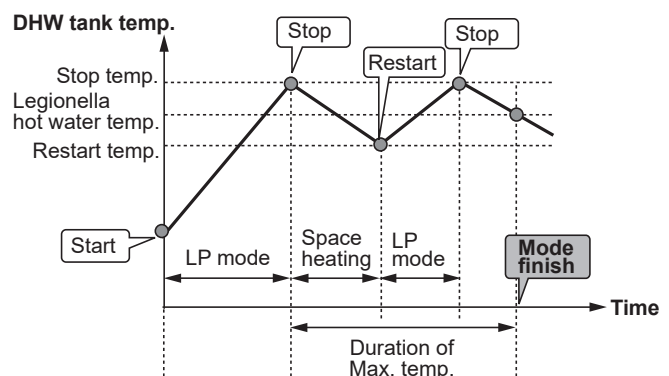
During Legionella Prevention Mode the temperature of the stored water is increased above 60°C to inhibit legionella bacterium growth. It is strongly recommended that this is done at regular intervals. Please check local regulations for the recommended frequency of heat ups.

Menu subtitle	Function	Range	Unit	Default value
Hot water temp.	Desired temp of stored hot water	60–70	°C	65
Frequency	Time between LP mode DHW tank heat ups	1–30	day	15
Start time	Time when LP mode will begin	0:00–23:00	-	03:00
Max. operation time	Maximum time allowed for LP mode DHW tank heat	1–5	hour	3
Duration of max. temp.	The time period after LP mode max. water temp. has been reached	1–120	min	30

If you wish to make changes contact installer.

Explanation of Legionella Prevention Mode operation

- At the time entered by the installer 'Start time' flow of useful heat from the system is diverted to heat the water in the DHW tank.
- When the temperature of the stored water exceeds the 'Hot Water temp.' set by the installer (above 65°C) primary circuit water is no longer diverted to heat the DHW tank.
- Whilst LP mode is in operation hot water is not directed to the space heating circuit.
- Directly after LP mode operation 'Duration of max. temp.' will operate. The duration of this feature is set by the installer and during its operation stored water temperature will be monitored.
- If stored water temperature should drop to LP restart temp., LP mode will restart and primary water flow from the heat source(s) will be directed to the DHW tank to boost the temperature. Once the set time for Duration of Max. temp. has passed LP mode will not recur for the set interval (set by installer).
- It is the responsibility of the installer to ensure the settings for legionella prevention are compliant with local and national guidelines.



(LP mode: Legionella Prevention mode)

Please note that LP mode uses the assistance of electric heaters to supplement the energy input of the heat pump. Heating water for long periods of time is not efficient and will increase running costs. The installer should give careful consideration to the necessity of legionella prevention treatment whilst not wasting energy by heating the stored water for excessive time periods. The end user should understand the importance of this feature.




ALWAYS COMPLY WITH LOCAL AND NATIONAL GUIDANCE FOR YOUR COUNTRY REGARDING LEGIONELLA PREVENTION.

6 Ground source heat pump (GSHP)

Heating

The heating menus deal with space heating using normally either a radiator, fan-coil, or underfloor heating system depending on the installation.

There are 3 heating modes

- Heating room temp. (Auto adaptation) 
- Heating flow temp. 
- Heating compensation curve 

<Room temp. (Auto adaptation) mode>

In room temp. (Auto adaptation) mode the controller uses temperature sensors around the heating system to monitor space and flow temperatures. This data is regularly updated and compared to previous data by the controller to predict changes in room temperature and adjust the temperature of water flowing to the space heating circuit accordingly. By monitoring not only the outdoor ambient, but the room and heating circuit water temperatures, the heating is more consistent and sudden spikes in required heat output are reduced. This results in a lower overall flow temperature being required.

<Flow temp. mode>

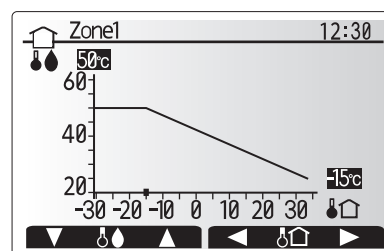
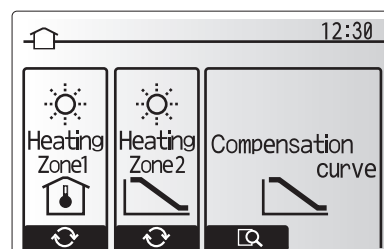
The temperature of the water flowing to the heating circuit is set by the installer to best suit the space heating system design, and user's desired requirements.


Explanation of compensation curve


During late spring and summer usually the demand for space heating is reduced. To prevent the heat pump from producing excessive flow temperatures for the primary circuit the compensation curve mode can be used to maximise efficiency and reduce running costs.

The compensation curve is used to restrict the flow temperature of the primary space heating circuit dependent on the outdoor temperature. The FTC uses information from both an outdoor temperature sensor and a temperature sensor on the primary circuit supply to ensure the heat pump is not producing excessive flow temperatures if the weather conditions do not require it.

Your installer will set the parameters of the graph depending on local conditions and type of space heating used in your home. It should not be necessary for you to alter these settings. If however you find that over a reasonable operating period the space heating is not heating or is overheating your home, please contact your installer so they can check your system for any problems and update these settings if necessary.



 : Flow temp.

 : Outdoor ambient temp.

6 Ground source heat pump (GSHP)

Holiday Mode

Holiday mode can be used to keep the system running at lower flow temperatures and thus reduced power usage whilst the property is unoccupied. Holiday mode can run either flow temp., room temp., heating, compensation curve heating and DHW all at reduced flow temperatures to save energy if the occupier is absent.

From the main menu screen press button E should be pressed. Be careful not to hold down button E for too long as this will turn off the controller and system.

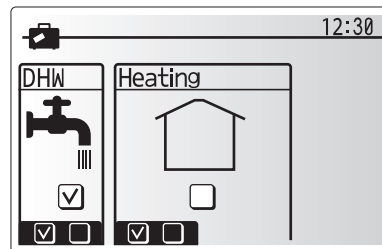
Once the holiday mode activation screen is displayed you can activate/deactivate and select the duration that you would like holiday mode to run for.

- Press button F1 to activate or deactivate holiday mode.
- Use buttons F2, F3 and F4 to input the date which you would like holiday mode to activate or deactivate holiday mode for space heating.

<Editing holiday mode>

Refer to the menu tree in “Main remote controller” of Installation Manual.

Should you require the Holiday mode settings e.g. the flow temp. or the room temp. to be altered you should contact your installer.



Schedule timer

Scheduled timer can be set in two ways, for example; one for summer and the other for winter. (Refer to as “Schedule 1” and “Schedule 2” respectively.) Once the term (months) for the Schedule 2 is specified, rest of the term will be specified as Schedule 1. In each Schedule, an operational pattern of modes (Heating) can be set. If no operational pattern is set for Schedule2, only the pattern for Schedule 1 will be valid. If Schedule 2 is set to full-year (i.e. March to Feb.), only the operational pattern for Schedule 2 will be valid.

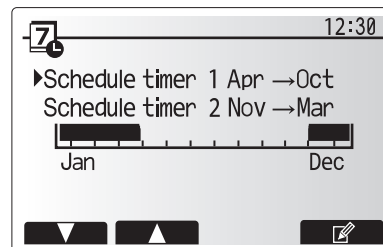
The schedule timer is activated or deactivated in the option screen. (See ‘General Operation’ section)

<Setting the Schedule period>

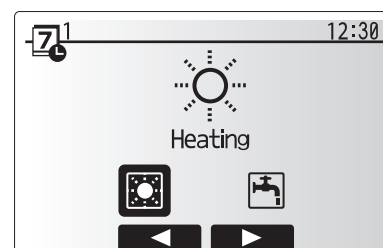
1. From the main settings menu use F2 and F3 to highlight the schedule icon then press CONFIRM.
2. The Schedule period preview screen is displayed.
3. To change the Schedule period, press F4. button.
4. The time bar edit screen is displayed.
5. Use F2/F3 button to point at a starting month of the Schedule2, then press CONFIRM.
6. Use F2/F3 button to point at an ending month of the Schedule2, then press CONFIRM.
7. Press F4 to save settings.

<Setting the Schedule timer>

1. From the main settings menu use F2 and F3 to highlight the schedule icon then press CONFIRM.
2. From the schedule 2 period preview screen use F1 and F2 to scroll through the selecting each subtitle in turn by pressing CONFIRM.
3. The schedule timer sub menu will be displayed. The icons show the following modes;
 - Heating
 - DHW
4. Use F2 and F3 buttons to move between mode icons press CONFIRM to be shown the PREVIEW screen for each mode.



Schedule2 period preview screen

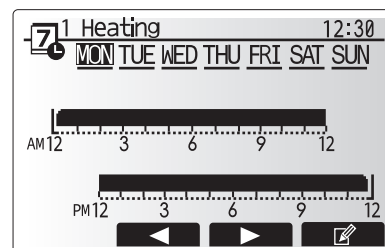


Schedule1 mode select screen

6 Ground source heat pump (GSHP)

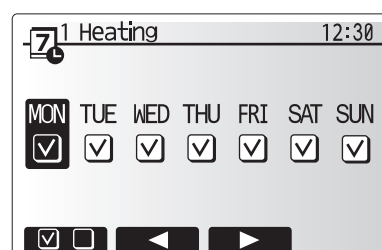
The preview screen allows you to view the current settings. Days of the week are displayed across the top of the screen. Where day appears underlined the settings are the same for all those days underlined. Hours of the day and night are represented as a bar across the main part of the screen. Where the bar is solid black, space heating is allowed.

5. In the preview menu screen press F4 button.



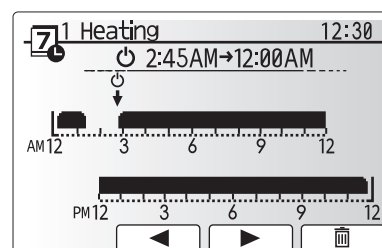
Preview screen

6. First select the days of the week you wish to schedule.
7. Press F2/F3 buttons to move between days and F1 to check or uncheck the box.
8. When you have selected the days press CONFIRM.



Day of week select screen

9. The time bar edit screen will be displayed.
10. Use buttons F2/F3 to move to the point at which you do not want the selected mode to be active press CONFIRM to start.
11. Use F3 button to set the required time of inactivity then press CONFIRM.
12. You can add up to 4 periods of inactivity within a 24 hour interval.



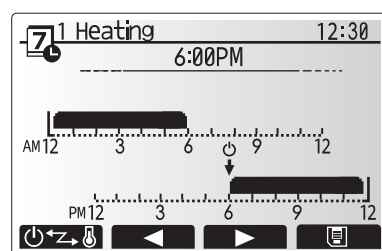
Time of period setting screen 1

13. Press F4 to save settings.

When scheduling heating, button F1 changes the scheduled variable between time and temperature. This enables a lower temperature to be set for a number of hours e.g. a lower temperature may be required at night when the occupants are sleeping.

Note:

- The schedule timer for space heating is set in the same way.
- A small rubbish bin character is also displayed choosing this icon will delete the last unsaved action.
- It is necessary to use the SAVE function F4 button to save settings. CONFIRM does NOT act as SAVE for this menu.



Time of period setting screen 2

6 Ground source heat pump (GSHP)

Service Menu

The service menu provides functions for use by installer or service engineer. It is NOT intended the home owner alters settings within this menu. It is for this reason password protection is required to prevent unauthorised access to the service settings.

The factory default password is "0000".

Follow the procedure described in General Operation for the set up operation.

The service menu is navigated using the F1 and F2 buttons to scroll through the functions. The menu is split across two screens and is comprised of the following functions;

1. Manual operation
2. Function settings
3. Thermistor adjustment
4. Auxiliary settings
5. Heat source setting
6. Pump speed
7. Heat pump settings
8. Operation settings
9. Energy monitor settings
10. External input settings
11. Thermo ON output
12. Commissioning wizard
13. Running information
14. Thermistor reading
15. Summary of settings
16. Error history
17. Password protection
18. Manual reset
19. SD card

In this Installation Manual, instructions will be given only for the following functions;

1. Manual operation
2. Auxiliary settings
3. Heat source setting
4. Operation settings
5. Energy monitor settings
6. External input settings
7. Password protection
8. Manual reset

Information on the other functions can be found by consulting the service manual.

Many functions can not be set whilst the heat pump unit is running. The installer should turn off the unit before trying to set these functions. If the installer attempts to change the settings whilst the unit is running the main remote controller will display a reminder message prompting the installer to stop operation before continuing. By selecting "Yes" the unit will cease operation.

<Manual operation>

During the filling of the system the water circulation pump and 3-way valve can be manually overridden using manual operation mode.

When manual operation is selected a small timer icon appears in the screen.

The function selected will only remain in manual operation for a maximum of 2 hours. This is to prevent accidental permanent override of the FTC.

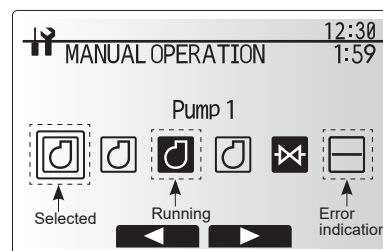
► Example

Pressing F3 button will switch manual operation mode ON for the main 3-way valve. When filling of the DHW tank is complete the installer should access this menu again and press F3 to deactivate manual operation of the part.

Alternatively after 2 hours manual operation mode will no longer be active and FTC will resume control of the part.

Manual operation and heat source setting can not be selected if the system is running. A screen will be displayed asking the installer to stop the system before these modes can be activated.

The system automatically stops 2 hours after last operation.



Manual operation menu screen

6 Ground source heat pump (GSHP)

<Auxiliary settings>

This function is used to set the parameters for any auxiliary parts used in the system

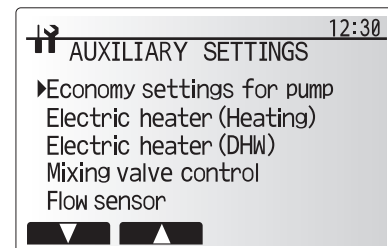
Menu subtitle	Function/ Description	
Economy settings for pump	Water pump stops automatically a specified period of time from when operation is finished.	
	Delay	Time before pump switches off*1
Electric heater (Heating)	To select "WITH booster heater (ON)" or "WITHOUT booster heater (OFF)" in Heating mode.	
	Delay	The minimum time required for the booster heater to turn ON after Heating mode has started.
Electric heater (DHW)	To select "WITH (ON)" or "WITHOUT (OFF)" booster heater or immersion heater individually in DHW mode.	
	Delay	The minimum time required for the booster heater or immersion heater to turn ON from after DHW mode has started. (This setting is applied for both booster and immersion heater.)
Mixing valve control *2	Running	Period from valve fully open (at a hot water mixing ratio of 100%) to valve fully closed (at a cold water mixing ratio of 100%)
	Interval	Interval (min) to control the mixing valve.
Flow sensor *3	Minimum	The minimum flow rate to be detected at flow sensor.
	Maximum	The maximum flow rate to be detected at flow sensor.

*1. Decreasing "time before pump switched off" may increase the duration of stand-by in heating mode.

*2. Set the running time according to the specifications of the actuator of each mixing valve.

It is recommended to set the interval to 2 minutes that is a default value. With the interval set longer, it could take longer to warm up a room.

*3. Do not change the setting since it is set according to the specification of flow sensor attached to the heat pump unit.



Auxiliary settings menu screen

<Heat source setting>

The default heat source setting is heat pump and all electric heaters present in the system to be operational. This is referred to as standard operation on the menu.

<Operation settings>

Heating operation

This function allows operational setting of flow temperature range from the heat pump unit and also the time interval at which the FTC collects and processes data for the auto adaptation mode.

Menu subtitle		Function	Range	Unit	Default
Flow temp. range	Minimum temp.	To minimize the loss by frequent ON and OFF in mild outdoor ambient temperature seasons.	20 to 45	°C	30
	Maximum temp.	To set max. possible flow temperature according to the type of heat emitters.	35 to 60	°C	50
Room temp. control	Mode	Setting for Room temp. control At Fast mode, target outlet water temperature is set higher than the one set at normal mode. This reduces the time to reach the target room temperature when the room temperature is relatively low.*	Normal/ Fast	—	Normal
	Interval	Selectable according to the heat emitter type and the materials of floor (i.e. radiators, floor heating-thick, -thin concrete, wood, etc.)	10 to 60	min	10
Heat pump thermo diff. adjust	On/Off	To minimize the loss by frequent ON and OFF in mild outdoor ambient temperature seasons.	On/Off	—	On
	Lower limit	Prohibits heat pump operation until the flow temperature drops below the target flow temperature plus lower limit value.	-9 to -1	°C	-5
	Upper limit	Allows heat pump operation until the flow temperature rises above the target flow temperature plus upper limit value.	+3 to +5	°C	+5

Note:

- The minimum flow temperature that prohibits heat pump operation is 20°C.
- The maximum flow temperature that allows heat pump operation equals to the maximum temperature set in the Flow temp. range menu.

* Fast mode is not efficient and will increase running cost when compared to normal mode.

6 Ground source heat pump (GSHP)

Freeze stat function

Menu subtitle	Function/ Description
Freeze stat function *1	An operational function to prevent the water circuit from freezing when outdoor ambient temperature drops.
Flow t.	The target outlet water temperature at water circuit when operating in Freeze stat function. *2
Outdoor ambient temp.	Minimum outdoor ambient temperature which freeze stat function will begin to operate, (3 - 20°C) or choose**. If asterisk (**) is chosen freeze stat function is deactivated. (i.e. primary water freeze risk)"

*1 When the system is turned off, freeze stat function is not enabled.

*2 Flow t. is fixed to 20°C and unchangeable.

Simultaneous Operation

For periods of very low outside temperature this mode can be used. Simultaneous operation allows both DHW and space heating to run together by using the heat pump and/or booster heater to provide space heating whilst only the immersion heater provides heating for DHW. This operation is only available if BOTH a DHW tank AND immersion heater are present on the system.

- Range of outdoor ambient temperature at which simultaneous operation starts is -30°C to 10°C (default -15°C).
- System shall automatically return to routine operation. This will happen when the outdoor ambient temperature rises above the selected temperature for this specific mode of operation.

Cold weather function

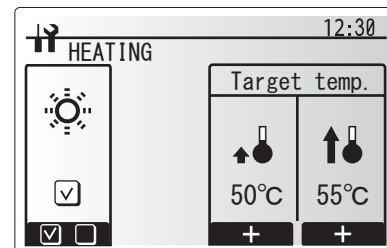
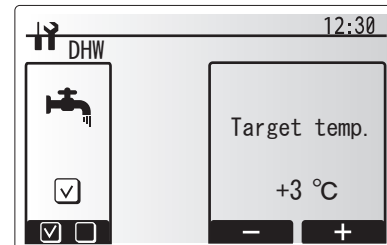
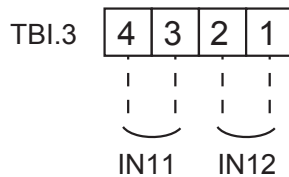
For extremely low outdoor ambient temperature conditions when the heat pump's capacity is restricted the heating or DHW is provided only by the electric booster heater (and immersion if present). This function is intended for use during extreme cold periods only. Extensive use of direct electrical heaters ONLY will result in higher power consumption and may reduce working life of heaters and related parts.

- Range of outdoor ambient temperature at which cold weather function starts is -30°C to -10°C (default -15°C).
- System shall automatically return to routine operation. This will happen when the outdoor temperature rises above the selected temp. for this specific mode of operation.

Smart grid ready

In DHW or heating operation, the commands in the table below can be used.

IN11	IN12	Meaning
OFF (open)	OFF (open)	Normal operation
ON (short)	OFF (open)	Switch-on recommendation
OFF (open)	ON (short)	Switch-off command
ON (short)	ON (short)	Switch-on command



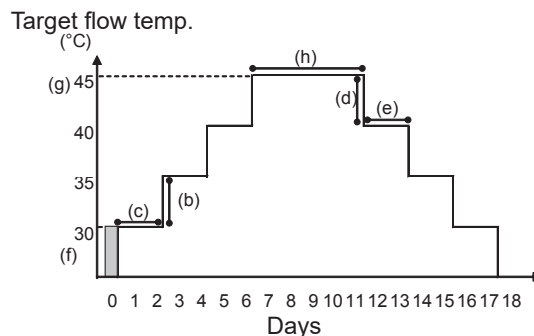
6 Ground source heat pump (GSHP)

Floor dry up function

The Floor dry up function automatically changes the target hot water temperature in stages to gradually dry concrete when this particular type of underfloor heating system is installed.

Upon completion of the operation the system stops all the operations except the Freeze stat. operation.

For Floor dry up function, the target flow temp. of Zone1 is the same as that of Zone2.



Disconnect wiring to external inputs of room thermostat, demand control, and outdoor thermostat, or the target flow temperature may not be maintained.

Functions	Symbol	Description	Option/Range	Unit	Default	
Floor dry up function	a	Set the function to ON and power on the system using the main remote controller, and the dry up heating operation will start.	On/Off	—	Off	
Flow temp. (increase)	Flow temp. increase step	b	Sets the increase step of the target flow temperature.	+1 to +10	°C	+5
	Increase interval	c	Sets the period for which the same target flow temperature is maintained.	1 to 7	day	2
Flow temp. (decrease)	Flow temp. decrease step	d	Sets the decrease step of the target flow temperature.	-1 to -10	°C	-5
	Decrease interval	e	Sets the period for which the same target flow temperature is maintained.	1 to 7	day	2
Target temperature	Start & Finish	f	Sets the target flow temperature at the start and the finish of the operation.	20 to 60	°C	30
	Max. target temp.	g	Sets the maximum target flow temperature.	20 to 60	°C	45
	Max. temp. period	h	Sets the period for which the maximum target flow temperature is maintained.	1 to 20	day	5

<Energy monitor settings>

1. General description

End user can monitor accumulated(*1) 'Consumed electrical energy' and 'Delivered heat energy' in each operation mode(*2) on the main remote controller.

*1 Monthly and Year to date

*2 - DHW operation

- Space heating

Refer to the menu tree in "Main Settings Menu" for how to check the energy, and "6.3 DIP switch functions" for the details on DIP-SW setting.

Either one of the following 2 methods is used for monitoring.

Note: Method 1 should be used as a guide. If a certain accuracy is required, the 2nd method should be used.

(1) Calculation internally

Electricity consumption is calculated internally based on the energy consumption of refrigerant and brine circuit, electric heater, water pump(s) and other auxiliaries.*3

Delivered heat is calculated internally by multiplying delta T (Flow and Return temp.) and flow rate measured by the factory fitted sensors.

Set the electric heater capacity and water pump(s) input and specs of additional pump(s) supplied locally. (Refer to the menu tree in "Main Settings Menu")

	Booster heater1	Booster heater2	Immersion heater *1	Pump1 *2	Pump2	Pump3
EHGT17D-YM9ED	3 kW	6 kW	0 kW	***(factory fitted pump)	When additional pumps supplied locally are connected as Pump2/3, change setting according to specs of the pumps.	

*1 Change setting to 1 kW when connecting optional immersion heater "PAC-IH01V2-E".

*2 "****" displayed in the energy monitor setting mode means the factory fitted pump is connected as Pump 1 so that the input is automatically calculated.

When anti-freeze solution (propylene glycol) is used for primary water circuit, set the delivered energy adjustment if necessary. For further detail of above, refer to the menu tree in "Main Settings Menu".

6 Ground source heat pump (GSHP)

(2) Actual measurement by external meter (locally supplied)

FTC has external input terminals for 2 'Electric energy meters' and a 'Heat meter'.

If two 'Electric energy meters' are connected, the 2 recorded values will be combined at the FTC and shown on the main remote controller.

(e.g. Meter 1 for H/P power line, Meter 2 for heater power line)

Refer to the [Signal inputs] in section "6.2 Wiring diagrams" for more information on connectable electric energy meter and heat meter.

• Connectable electric energy meter and heat meter

- Pulse meter type Voltage free contact for 12VDC detection by FTC
(TBI.2 1pin, TBI.3 5 and 7 pins have a positive voltage.)
- Pulse duration Minimum ON time: 40 ms
Minimum OFF time: 100 ms
- Possible unit of pulse 0.1 pulse/kWh 1 pulse/kWh 10 pulse/kWh
100 pulse/kWh 1000 pulse/kWh

Those values can be set by the main remote controller. (Refer to the menu tree in "Main Settings Menu".)

<External input settings>

Demand control (IN4)

The selection of "OFF", whilst a signal is being sent to IN4, forcefully stops all the heat source operations and the selection of "Boiler" stops operations of heat pump and electric heater and performs boiler operation.

Outdoor thermostat (IN5)

The selection of "Heater", whilst a signal is being sent to IN5, performs electric-heater-only operation and the selection of "Boiler" performs boiler operation.

<Password protection>

Password protection is available to prevent unauthorised access to the service menu by untrained persons.

Resetting the password

If you forget the password you entered, or have to service a unit somebody else installed, you can reset the password to the factory default of **0000**.

1. From the main settings menu scroll down the functions until Service Menu is highlighted.
2. Press CONFIRM.
3. You will be prompted to enter a password.
4. Hold down buttons F3 and F4 together for 3 seconds
5. You will be asked if you wish to continue and reset the password to default setting.
6. To reset press button F3.
7. The password is now reset to **0000**.

<Manual reset>

Should you wish to restore the factory settings at any time you should use the manual reset function. Please note this will reset ALL functions to the factory default settings.



Password input screen



Password verify screen

6 Ground source heat pump (GSHP)

6.7.3 DIP Switch Function(C.B.)

Located on the C.B. printed circuit board are 7 sets of small white switches known as DIP switches. The DIP switch number is printed on the circuit board next to the relevant switches. The word ON is printed on the circuit board and on the DIP switch block itself. To move the switch you will need to use a pin or the corner of a thin metal ruler or similar.

DIP switch settings are listed below in Table 6.7.1.

Only an authorised installer can change DIP switch setting under one's own responsibility according to the installation condition. Make sure to turn off heat pump unit power supplies before changing the switch settings.

DIP switch		Function	OFF	ON	Effective timing	Default settings	
SW1	SW1-1	—	—	—	—	OFF	
	SW1-2	Abnormal history clear	Normal	Clear	Always	OFF	
SW4	SW4-1	—	—	—	—	OFF	
	SW4-2	—	—	—	—	OFF	
SW5	SW5-1	—	—	—	—	OFF	
	SW5-2	Power failure automatic recovery*1	No auto recovery	Auto recovery	When power supply ON	ON	
	SW5-3	—	—	—	—	OFF	
	SW5-4	—	—	—	—	OFF	
	SW5-5	—	—	—	—	OFF	
	SW5-6	—	—	—	—	OFF	
SW6	SW6-1	Brine pump manual operation	Pump OFF	Pump ON	Always (ONLY Brine pump manual operation)	OFF	
	SW6-2	—	—	—	—	OFF	
	SW6-3	Brine pump manual operation	Inactive	Active	When power supply ON	OFF	
	SW6-4	Model select	Heat pump setting			—	ON
	SW6-5		—	—	—	ON	
	SW6-6		—	—	—	OFF	
	SW6-7		—	—	—	ON	
	SW6-8		—	—	—	OFF	
SW7	SW7-1	—	—	—	—	OFF	
	SW7-2	—	—	—	—	OFF	
	SW7-3	—	—	—	—	OFF	
	SW7-4	—	—	—	—	OFF	
	SW7-5	—	—	—	—	OFF	
	SW7-6	Starting brine temp. of borehole freeze prevention	-2°C	0°C	Always	OFF	
SW8	SW8-1	Brine pump speed adjustment	See 4.4 Brine Pipe Work		Always	OFF	
	SW8-2	—	—	—	—	OFF	
	SW8-3	—	—	—	—	OFF	
SW9	SW9-1	Brine pump rotational speed adjustment	See 4.4 Brine Pipe Work		Always	OFF	
	SW9-2					OFF	
	SW9-3					OFF	
	SW9-4					OFF	

<Table 6.7.1>

Note:

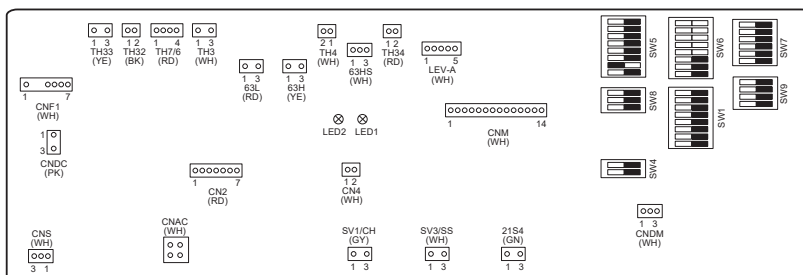
*1 "Power failure automatic recovery" can be set by either remote controller or this DIP SW. If one of them is set to ON, "Auto recovery" activates.

*2 Please do not use SW7-3, 4 usually. Trouble might be caused by the usage condition.

6.7.4 Connecting inputs/outputs

Inputs/Outputs

Name	Connector	Item
MC	TB-U/V/W	Motor for compressor (Mediate Power board)
MBP	CNF1	Brine pump
63H	63H	High Pressure switch
63HS	63HS	High Pressure Sensor
FS	63L	Flow switch (Brine circuit)
TH3	TH3	Thermistor (Ref. liquid temp.)
TH4	TH4	Thermistor (Discharge temp.)
TH7	TH7/6	Thermistor (Outdoor temp.)
TH8	CN6	Thermistor (Heat sink temp.)
TH32	TH32	Thermistor (Brine inlet temp.)
TH33	TH33	Thermistor (Comp. surface temp.)
TH34	TH34	Thermistor (Brine outlet temp.)
LEV-A	LEV-A	Linear Expansion Valve
CNM	CNM	Connection for option



6 Ground source heat pump (GSHP)

6.8 Service and Maintenance

The heat pump unit must be serviced once a year by a qualified individual. Servicing and maintenance of the outdoor unit should only be done by a Mitsubishi Electric trained technician with relevant qualifications and experience. Any electrical work should be done by a trades person with the appropriate electrical qualifications. Any maintenance or 'DIY' fixes done by a non-accredited person could invalidate the Warranty and/or result in damage to the heat pump unit and injury to the person.

Basic Troubleshooting

No.	Fault symptom	Possible cause	Explanation - Solution
1	Main remote controller display is blank.	<ol style="list-style-type: none"> There is no power supply to main remote controller. Power is supplied to main remote controller, however, the display on the main remote controller does not appear. 	<ol style="list-style-type: none"> Check LED2 on FTC. (See "5. WIRING DIAGRAM".) <ol style="list-style-type: none"> When LED2 is lit. Check for damage or contact failure of the main remote controller wiring. When LED2 is blinking. Refer to No. 5 below. When LED2 is not lit. Refer to No. 4 below. Check the following: <ul style="list-style-type: none"> Disconnection between the main remote controller cable and the FTC control board Failure of the main remote controller if "Please Wait" is not displayed. Refer to No. 2 below if "Please Wait" is displayed.
2	"Please Wait" remains displayed on the main remote controller.	<ol style="list-style-type: none"> "Please Wait" is displayed for up to 6 minutes. Communication failure between the main remote controller and FTC Communication failure between FTC and controller circuit board 	<ol style="list-style-type: none"> Normal operation Main remote controller start up checks/procedure. <ol style="list-style-type: none"> If "0%" or "50-99%" is displayed below "Please Wait" there is a communication error between the main remote controller and the FTC control board. <ul style="list-style-type: none"> Check wiring connections on the main remote controller. Replace the main remote controller or the FTC control board. If "1-49%" is displayed there is a communication error between controller circuit board and FTC control board. <ul style="list-style-type: none"> Check the wiring connections on the controller circuit board and the FTC control board. (Ensure the wiring connections between CN1 on the FTC control board and CNS on the controller circuit board) Replace the controller circuit board and/or the FTC control board.
3	The main screen appears with a press of the "ON" button, but disappears in a second.	The main remote controller operations do not work for a while after the settings are changed in the service menu. This is because the system takes time to apply the changes.	<p>Normal operation</p> <p>The FTC is applying updated settings made in the service menu. Normal operation will start shortly.</p>
4	LED2 on FTC is off. (See "6.2 Wiring diagrams".)	When LED1 on FTC is also off. (See "6.2 Wiring diagrams".) <ol style="list-style-type: none"> The controller circuit board unit is not supplied at the rated voltage. Faulty connector wiring FTC failure 	<ol style="list-style-type: none"> Check the voltage across the terminals L and N or L3 and N on the controller circuit board (See "6.4 Field wiring".) <ul style="list-style-type: none"> When the voltage is not 220 to 240 V AC, check wiring of the unit and of the breaker. When the voltage is at 220 to 240 V AC, go to "2." below. Check the N.F.board and TB1 cable. Check the voltage across the outdoor unit terminals S1 and S2. (See "6.4 Field wiring".) <ul style="list-style-type: none"> Check the cable between the terminals and N.F. board Check the cable between CNAC1 of the N.F.board and CNAC of the controller circuit board. Check the cable between CN01 of the FTC board and CNS of the controller circuit board. Check the FTC control board. <ul style="list-style-type: none"> Check the fuse on FTC control board. Check for faulty wiring. If no problem found with the wiring, the FTC control board is faulty.
		When LED1 on FTC is lit. Incorrect setting of refrigerant address. (None of the refrigerant address is set to "0".)	Set the refrigerant address to "0". (Set refrigerant address using SW1(3-6) on controller circuit board.)
5	LED2 on FTC is blinking. (See "6.2 Wiring diagrams".)	When LED1 is also blinking on FTC . Faulty wiring between FTC and controller circuit board	Check for faulty wiring between FTC and controller circuit board.
		When LED1 on FTC is lit. <ol style="list-style-type: none"> Short-circuited wiring in main remote controller Main remote controller failure 	<ol style="list-style-type: none"> Remove main remote controller wires and check LED2 on FTC. (See "6.2 Wiring diagrams".) <ul style="list-style-type: none"> If LED2 is blinking check for short circuits in the main remote controller wiring. If LED2 is lit, wire the main remote controller again and: <ul style="list-style-type: none"> - if LED2 is blinking, the main remote controller is faulty; - if LED2 is lit, faulty wiring of the main remote controller has been corrected.
6	LED4 on FTC is off. (See "6.2 Wiring diagrams".)	<ol style="list-style-type: none"> SD memory card is NOT inserted into the memory card slot with correct orientation. Not an SD standards compliant memory card. 	<ol style="list-style-type: none"> Correctly insert SD memory card in place until a click is heard. Use an SD standards compliant memory card. (Refer to installation manual, "6.4.5 Using SD memory card".)
	LED4 on FTC is blinking. (See "6.2 Wiring diagrams".)	<ol style="list-style-type: none"> Full of data. Write-protected. NOT formatted. Formatted in NTFS file system. 	<ol style="list-style-type: none"> Move or delete data, or replace SD memory card with a new one. Release the write-protect switch. Refer to installation manual, "6.4.5 Using SD memory card". FTC control board is Not compatible with NTFS file system. Use an SD memory card formatted in FAT file system.

6 Ground source heat pump (GSHP)

No.	Fault symptom	Possible cause	Explanation - Solution
7	No water at hot tap.	<ol style="list-style-type: none"> 1. Cold main off 2. Strainer (local supply) blocked. 	<ol style="list-style-type: none"> 1. Check and open stop cock. 2. Isolate water supply and clean strainer.
8	Cold water at tap.	<ol style="list-style-type: none"> 1. Hot water run out. 2. Prohibit, schedule timer or holiday mode selected or demand control input (IN4) or smart grid ready (switch-off command). 3. Heat pump not working. 4. Booster heater cut-out tripped. 5. The earth leakage circuit breaker for booster heater breaker (ECB1) tripped. 6. The booster heater thermal cut-out has tripped and cannot be reset using the manual reset button. 7. Immersion heater cut-out tripped. 8. Immersion heater breaker (ECB2) tripped. 9. 3-way valve fault 	<ol style="list-style-type: none"> 1. Ensure DHW mode is operating and wait for DHW tank to re-heat. 2. Check settings and change as appropriate. 3. Check heat pump. 4. Check booster heater thermostat and press reset button if safe. Reset button is located on the side of booster heater, covered with white rubber cap. See "6.5.1 Component parts" to find out its position. 5. Check the cause and reset if safe. 6. Check resistance across the thermal cut-out, if open then the connection is broken and the booster heater will have to be replaced. Contact your Mitsubishi Electric dealer. 7. Check immersion heater thermostat and press reset button, located on immersion heater boss, if safe. If the heater has been operated with no water inside it may have failed, so please replace it with a new one. 8. Check the cause and reset if safe. 9. Check plumbing/wiring to 3-way valve. <ol style="list-style-type: none"> (i) Manually override 3-way valve using the main remote controller. (Refer to <Manual operation> in "6.7 System setup") If the valve does not still function, go to (ii) below. (ii) Replace 3-way valve coil. If the valve does not still function, go to (iii) below. (iii) Replace 3-way valve. (Refer to Service manual.)
9	Water heating takes longer.	<ol style="list-style-type: none"> 1. Heat pump not working. 2. Booster heater cut-out tripped. 3. Booster heater breaker (ECB1) tripped. 4. The booster heater thermal cut-out has tripped and cannot be reset using the manual reset button. 5. Immersion heater cut-out has been triggered. 6. Immersion heater breaker (ECB2) tripped. 7. Flow rate of the sanitary circuit may be reduced. 	<ol style="list-style-type: none"> 1. Check heat pump. 2. Check booster heater thermostat and press reset button if safe. Reset button is located on the side of booster heater, covered with white rubber cap. See "6.5.1 Component parts" to find out its position. 3. Check the cause and reset if safe. 4. Check resistance across the thermal cut-out, if open then connection is broken and the booster heater will have to be replaced. Contact your Mitsubishi Electric dealer. 5. Check immersion heater thermostat and press reset button located on immersion heater boss, if safe. If the heater kept running with no water inside, this may have resulted in failure, so replace it with a new one. 6. Check the cause and reset if safe. 7. Check the following items <ul style="list-style-type: none"> • Check for trapped air in water pump (sanitary circuit). • Check if the speed of water pump (sanitary circuit) is set to 2. • Check water pump (sanitary circuit) for malfunction. (Refer to Service manual.) • Replace plate heat exchanger (water - water) or scale trap, if there are a blockage which blocks the sanitary circuit.
10	Temperature of DHW tank water dropped.	<p>When DHW operation is not running, the DHW tank emits heat and the water temperature decreases to a certain level. If water in the DHW tank is reheated frequently because of a significant drop in water temperature, check for the following.</p> <ol style="list-style-type: none"> 1. Water leakage in the pipes that connect to the DHW tank 2. Insulation material coming loose or off. 3. 3-way valve failure 4. Water pump (sanitary circuit) speed setting failure 	<ol style="list-style-type: none"> 1. Take the following measures. <ul style="list-style-type: none"> • Retighten the nuts holding the pipes onto the DHW tank. • Replace seal materials. • Replace the pipes. 2. Fix insulation. 3. Check plumbing/wiring to 3-way valve. <ol style="list-style-type: none"> (i) Manually override 3-way valve using the main remote controller. (Refer to <Manual operation> in "6.7 System setup".) If the valve does not still function, go to (ii) below. (ii) Replace 3-way valve motor. If the valve does not still function, go to (iii) below. (iii) Replace 3-way valve. (Refer to Service manual.) 4. Water pump (sanitary circuit) MUST be set to speed 2. When it set to speed 1, hot water would be mixed with cold water due to circulation.
11	Hot or warm water from cold tap.	Heat of hot water pipe is transferred to cold water pipe.	Insulate/re-route pipework.
12	Water leakage	<ol style="list-style-type: none"> 1. Poorly sealed connections of water circuit components 2. Water circuit components reaching the end of life 	<ol style="list-style-type: none"> 1. Tighten connections as required. 2. Refer to PARTS CATALOG for expected part lifetimes and replace them as necessary.

6 Ground source heat pump (GSHP)

No.	Fault symptom	Possible cause	Explanation - Solution
13	Heating system does not reach the target temperature.	<ol style="list-style-type: none"> Prohibit, schedule timer or holiday mode selected or demand control input (IN4) or smart grid ready (switch-off command). Check settings and change as appropriate. The temperature sensor is located in a room that has a different temperature relative to that of the rest of the house. Heat pump not working. Booster heater cut-out tripped. Booster heater breaker (ECB1) tripped. The booster heater thermal cut-out tripped and cannot be reset using the manual reset button. Incorrectly sized heat emitter. 3-way valve failure Battery problem (wireless control only) If a mixing tank is installed, the flow rate between the mixing tank and the unit is less than that between the mixing tank and the local system. 	<ol style="list-style-type: none"> Check settings and change as appropriate. Check the battery power and replace if flat. Relocate the temperature sensor to a more suitable room. Check heat pump. Check booster heater thermostat and press reset button if safe. Reset button is located on the side of booster heater, covered with white rubber cap. (See "6.5.1 Component parts" for position.) Check the cause of the trip and reset if safe. Check resistance across the thermal cut-out, if open then the connection is broken and the booster heater will have to be replaced. Contact your Mitsubishi Electric dealer. Check the heat emitter surface area is adequate. Increase size if necessary. Check plumbing/wiring to 3-way valve. <ol style="list-style-type: none"> Manually override 3-way valve using the main remote controller. (Refer to <Manual operation> in "6.7 System setup".) If the 3-way valve does not function, go to (ii) below. Replace 3-way valve motor. If the 3-way valve coil is replaced but the 3-way valve does not function go to (iii) below. Replace 3-way valve. (Refer to Service manual.) Check the battery power and replace if flat. Increase the flow rate between the mixing tank and the unit decrease that between the mixing tank and the local system.
14	In 2-zone temperature control, only Zone2 does not reach the target temperature.	<ol style="list-style-type: none"> When Zone1 and Zone2 are both in heating mode, the hot water temperature in Zone2 does not exceed that in Zone1. Faulty wiring of motorized mixing valve Faulty installation of motorized mixing valve Incorrect setting of Running time Motorized mixing valve failure 	<ol style="list-style-type: none"> Normal action no action necessary. Refer to installation manual, "6.4.3 Wiring for 2-zone temperature control". Check for correct installation. (Refer to the manual included with each motorized mixing valve.) Check for correct setting of Running time. Inspect the mixing valve. (Refer to the manual included with each motorized mixing valve.)
15	After DHW operation room temperature rises slightly.	At the end of the DHW mode operation the 3-way valve diverts hot water away from the DHW circuit into space heating circuit. This is done to prevent the unit components from overheating. The amount of hot water directed into the space heating circuit varies according to the type of the system and of the pipe run between the plate heat exchanger and the unit.	Normal operation no action necessary.
16	The room temperature rises during DHW operation.	3-way valve failure	Check the 3-way valve. <ol style="list-style-type: none"> Manually override 3-way valve using the main remote controller. (Refer to <Manual operation> in "6.7 System setup".) If the 3-way valve does not function, go to (ii) below. Replace 3-way valve coil. If the 3-way valve coil is replaced but the 3-way valve does not function go to (iii) below. Replace 3-way valve. (Refer to Service manual.)
17	Water discharges from pressure relief valve. (Primary circuit)	<ol style="list-style-type: none"> If continual – pressure relief valve could bite foreign objects and the valve seat may be damaged. If intermittent – expansion vessel charge may have reduced/bladder perished. 	<ol style="list-style-type: none"> Turn the handle on the pressure relief valve several turns. If leakage persists, replace the pressure relief valve with a new one. Check pressure in expansion vessel. Recharge to 1 bar if necessary. If bladder perished replace expansion vessel with a new one.
18	Water discharges from pressure relief valve. (Sanitary circuit)	<ol style="list-style-type: none"> If continual – field supplied pressure reducing valve not working. If continual – pressure relief valve could bite foreign objects and the valve seat may be damaged. If intermittent – expansion vessel charge may have reduced/bladder perished. DHW tank may have subjected to backflow. 	<ol style="list-style-type: none"> Check function of pressure reducing valve and replace if necessary. Turn the handle on the pressure relief valve several turns. If leakage persists, replace the pressure relief valve with a new one. Check gas-side pressure in expansion vessel. Recharge to correct precharge pressure if necessary. If bladder perished replace expansion vessel with a new one with appropriate pre-charge. Check the pressure in DHW tank. If pressure in DHW tank is similar to that in the incoming mains, cold water supply that merges with incoming mains water supply could flow back to DHW tank. Investigate source of back-feed and rectify error in pipework/fitting configuration. Adjust pressure in cold supply.
19	Noisy water circulation pump	Air in water circulation pump.	Use manual and automatic air vents to remove air from system. Top up water if necessary to achieve 1 bar on primary circuit.

6 Ground source heat pump (GSHP)

No.	Fault symptom	Possible cause	Explanation - Solution								
20	Noise during hot water draw off typically worse in the morning.	<ol style="list-style-type: none"> Loose airing cupboard pipework. Heaters switching on/off. 	<ol style="list-style-type: none"> Install extra pipe fastening clips. Normal operation no action necessary. 								
21	Mechanical noise heard coming from the unit.	<ol style="list-style-type: none"> Heaters switching on/off. 3-way valve changing position between DHW and heating mode. Heat pump unit (compressor) running 	Normal operation no action necessary.								
22	Water circulation pump runs for a short time unexpectedly.	Water circulation pump jam prevention mechanism (routine) to inhibit the build-up of scale.	Normal operation no action necessary.								
23	Milky/Cloudy water (Sanitary circuit)	Oxygenated water	Water from any pressurised system will release oxygen bubbles when water is running. The bubbles will settle out.								
24	Heating mode has been on standby for a long time (does not start operation smoothly.)	The time of "Delay" set in "Economy settings for pump" is too short. (Go to "Service menu" → "Auxiliary settings" → "Economy settings for pump").	Increase the time of "Delay" in "Economy settings for pump" .								
25	The heat pump unit that was running in the heating mode before power failure is running in the DHW mode after power recovery.	The heat pump unit is designed to run in an operation mode with a higher priority (i.e. DHW mode in this case) at power recovery.	<ul style="list-style-type: none"> Normal operation. After the DHW max. operation time has elapsed or the DHW max. temperature has been reached, the DHW mode switches to the other mode (ex. Heating mode). 								
26	The energy monitor value seems not correct. Note: There could be some discrepancies between the actual and the calculated values. If you seek for accuracy, please make sure to connect power meter(s) and heat meter to FTC board. Both should be locally supplied.	<ol style="list-style-type: none"> Incorrect setting of the energy monitor Non-connectable type of external meter (local supply) is connected. External meter (local supply) failure FTC board failure 	<ol style="list-style-type: none"> Check the setting by following the procedure below. (1) Check if the DIP switch on FTC board is set as the table below. <table border="1"> <thead> <tr> <th>Consumed electric energy</th> <th>Delivered heat energy</th> </tr> </thead> <tbody> <tr> <td>SW3-4 Electric energy meter (Local supply)</td> <td>SW3-8 Heat meter (Local supply)</td> </tr> <tr> <td>OFF Without</td> <td>OFF Without</td> </tr> <tr> <td>ON With</td> <td>ON With</td> </tr> </tbody> </table> (2) In the case external electric energy meter and/or heat meter is not used, check if the setting for electric heater and water pump(s) input is correct by referring to <Energy monitor setting> in "6.7 System setup". (3) In the case external electric energy meter and/or heat meter is used, check if the unit of output pulse on external meter matches with the one set at the main remote controller by referring to <Energy monitor setting> in "6.7 System setup". (4) Check if the external meter (local supply) is connectable type by referring to <Energy monitor setting> in "6.7 System setup". (5) Check if signal is sent to IN8 to IN10 properly. (Refer to section 6.2 Wiring diagrams) Replace the external heat meter if defective. (6) Check the FTC control board. <ul style="list-style-type: none"> Check for faulty wiring. If no problem found with the wiring, the FTC control board is faulty. Replace the board. 	Consumed electric energy	Delivered heat energy	SW3-4 Electric energy meter (Local supply)	SW3-8 Heat meter (Local supply)	OFF Without	OFF Without	ON With	ON With
Consumed electric energy	Delivered heat energy										
SW3-4 Electric energy meter (Local supply)	SW3-8 Heat meter (Local supply)										
OFF Without	OFF Without										
ON With	ON With										
27	Heat pump is forced to turn ON and OFF.	Smart grid ready input (IN11 and IN12) is used, and switch-on and off commands are input.	Normal operation no action necessary.								

6 Ground source heat pump (GSHP)

■ Error Codes (FTC)

Code	Error	Action
L3	Circulation water temperature overheat protection	Flow rate may be reduced. Check for; <ul style="list-style-type: none"> • Water leakage • Strainer blockage • Water circulation pump function (Error code may display during filling of primary circuit, complete filling and reset error code.)
L4	DHW tank water temperature overheat protection	Check the immersion heater and it's contactor.
L5	FTC temperature thermistor (THW1, THW2, THW5A, THW5B, THW6, THW7, THW8, THW9) failure	Check resistance across the thermistor.
L6	Circulation water freeze protection	See Action for L3.
L8	Heating operation error	Check and re-attach any thermistors that have become dislodged.
L9	Low primary circuit flow rate detected by flow sensor or flow switch (flow switches 1, 2, 3)	See Action for L3. If the flow sensor or flow switch itself does not work, replace it. Caution: The pump valves may be hot, please take care.
LC	Boiler circulation water temperature overheat protection	Check if the setting temperature of the Boiler for heating exceeds the restriction. (See the manual of the thermistors "PAC-TH012HT-E") Flow rate of the heating circuit from the boiler may be reduced. Check for <ul style="list-style-type: none"> • water leakage, • strainer blockage • water circulation pump function.
LD	Boiler temperature thermistor (THWB1) failure	Check resistance across the thermistor.
LE	Boiler operation error	See Action for L8. Check the status of the boiler.
LF	Flow sensor failure	Check flow sensor cable for damage or loose connections.
LH	Boiler circulation water freeze protection	Flow rate of the heating circuit from the boiler may be reduced. Check for <ul style="list-style-type: none"> • water leakage • strainer blockage • water circulation pump function.
LJ	DHW operation error (type of external plate HEX)	<ul style="list-style-type: none"> • Check for disconnection of DHW tank water temp. thermistor (THW5B). • Flow rate of the sanitary circuit may be reduced. • Check for water circulation pump function.
LL	Setting errors of DIP switches on FTC control board	For boiler operation, check that DIP SW1-1 is set to ON (With Boiler) and DIP SW2-6 is set to ON (With Mixing Tank). For 2-zone temperature control, check DIP SW2-7 is set to ON (2-zone) and DIP SW2-6 is set to ON (With Mixing Tank).
LP	Out of water flow rate range	Check the installation Table 6.6.2 Check remote controller settings (Service menu / heat pump flow rate range) See Action for L3.
J0	Communication failure between FTC and wireless receiver	Check connection cable for damage or loose connections.
P1	Thermistor (Room temp.) (TH1) failure	Check resistance across the thermistor.
P2	Thermistor (Ref. liquid temp.) (TH2) failure	Check resistance across the thermistor.
P6	Anti-freeze protection of plate heat exchanger	See Action for L3. Check for correct amount of refrigerant.
J1 - J8	Communication failure between wireless receiver and wireless remote controller	Check wireless remote controller's battery is not flat. Check the pairing between wireless receiver to wireless remote controller. Test the wireless communication. (See the manual of wireless system)
E0 - E5	Communication failure between main remote controller and FTC	Check connection cable for damage or loose connections.
E6 - EF	Communication failure between FTC and C.B.	Check connection cable for damage or loose connections. Refer to service handbook.
E9	C.B. receives no signal from FTC.	Check connection cable for damage or loose connections. Refer to service handbook.
U*, F*	Refrigerant or brine circuit failure	Refer to Error Codes (C.B.) or service handbook.

Note: To cancel error codes please switch system off (Press button F4(RESET) on main remote controller, for 3 seconds).

6 Ground source heat pump (GSHP)

■ Error Codes (C.B.)

Code	Error	Cause	Action
None	—	<ul style="list-style-type: none"> ① No voltage is supplied to terminal block (TB1) of heat pump unit. <ul style="list-style-type: none"> a) Power supply breaker is turned off. b) Contact failure or disconnection of power supply terminal c) Open phase (L or N phase) ② Electric power is not charged to power supply terminal of power circuit board. <ul style="list-style-type: none"> a) Contact failure of power supply terminal b) Open phase on the power circuit board ③ Electric power is not supplied to C.B. <ul style="list-style-type: none"> a) Disconnection of connector (CNDC) ④ Disconnection of reactor (ACL) ⑤ Disconnection of noise filter circuit board or parts failure in noise filter circuit board ⑥ Defective power circuit board ⑦ Defective C.B. ⑧ Brine pump manual operation ⑨ Disconnection of wire between UNIT SIDE and MODULE SIDE. 	<ul style="list-style-type: none"> ① Check following items. <ul style="list-style-type: none"> a) Power supply breaker b) Connection of power supply terminal block (TB1) c) Connection of power supply terminal block (TB1) ② Check following items. <ul style="list-style-type: none"> a) Connection of power supply terminal block (TB1) b) Connection of terminal on power circuit board Check connection of the connector LI or NI. ③ Check connection of the connector (CNDC) on the C.B. Check connection of the connector, CNDC on the noise filter. ④ Check connection of reactor. (ACL) ⑤ a) Check connection of noise filter circuit board. b) Replace noise filter circuit board. ⑥ Replace power circuit board. ⑦ Replace C.B. (When items above are checked but the units cannot be repaired). ⑧ Check DIP SW6-3 and turn it OFF. ⑨ Refer to 'How to remove the module'. Check connection of the wire between UNIT SIDE and MODULE SIDE.
F5 (5201)	<p>63H connector open Abnormal if 63H connector circuit is open for 3 minutes continuously after power supply.</p> <p>63H: High pressure switch</p>	<ul style="list-style-type: none"> ① Disconnection or contact failure of 63H connector on C.B. ② Disconnection or contact failure of 63H ③ 63H is working due to defective parts. ④ Defective C.B. 	<ul style="list-style-type: none"> ① Check connection of 63H connector on C.B. ② Check the 63H side of connecting wire. ③ Check continuity by tester. Replace the parts if the parts are defective. ④ Replace C.B.
U1 (1302)	<p>High pressure (High pressure switch 63H operated) Abnormal if high pressure switch 63H operated (4.15 MPa) during compressor operation.</p> <p>63H: High pressure switch</p>	<ul style="list-style-type: none"> ① Clogged or broken pipe ② Locked brine pump ③ Malfunction of brine pump ④ Short cycle of refrigerant or brine circuit ⑤ Dirt of brine circuit heat exchanger ⑥ Decreased brine flow rate ⑦ Disconnection or contact failure of connector (63H) on C.B. ⑧ Disconnection or contact failure of 63H connection ⑨ Defective C.B. ⑩ Defective action of linear expansion valve ⑪ Malfunction of brine pump driving circuit 	<ul style="list-style-type: none"> ① Check piping and repair defect. ②-⑤ Check heat pump unit and repair defect. ⑥ Check the brine flow rate. ⑦-⑨ Turn the power off and check F5 is displayed when the power is turned again. ⑩ Check linear expansion valve. ⑪ Replace C.B.

6 Ground source heat pump (GSHP)

Code	Error	Cause	Action
U2 (1102)	<p>High discharge temperature (1) Abnormal if TH4 exceeds 125°C or 110°C continuously for 5 minutes. (2) Abnormal if discharge superheat (Heating: TH4-T63HS) exceeds 70°C continuously for 10 minutes. TH4: Thermistor <Discharge></p> <p>High comp. surface temperature Abnormal if TH33 exceeds 125°C. In the case of high comp. surface temperature error, compressor does not restart unless the thermistor (TH33) becomes less than 95°C. TH33: Thermistor <Comp. surface></p>	<p>① Overheated compressor operation caused by shortage of refrigerant</p> <p>② Defective thermistor</p> <p>③ Defective C.B.</p> <p>④ Defective action of linear expansion valve</p> <p>⑤ Clogging with foreign objects in refrigerant circuit Note: Clogging occur in the parts which become below freezing point when water enters in refrigerant circuit.</p> <p>⑥ In the case of the unit does not restart: Detection temp. of thermistor (TH33) ≥ 95°C</p>	<p>① Check intake superheat. Check leakage of refrigerant. Charge additional refrigerant.</p> <p>②③ Turn the power off and check if U3 is displayed when the power is turned on again. When U3 is displayed, refer to 'Judgment and action' for U3.</p> <p>④ Check linear expansion valve.</p> <p>⑤ After recovering refrigerant, remove water from entire refrigerant circuit under vacuum more than 1 hour.</p>
U3 (5104)	<p>Open/short circuit of heat pump unit temperature thermistor (TH4, TH33) Abnormal if open (3°C or less) or short (217°C or more) is detected during compressor operation. (Detection is inoperative for 10 minutes of compressor starting process and for 10 minutes after and during defrosting.) TH4: Thermistor <Discharge> TH33: Thermistor <Comp. surface></p>	<p>① Disconnection or contact failure of connectors (TH4, TH33) on the C.B.</p> <p>② Defective thermistor</p> <p>③ Defective C.B.</p>	<p>① Check connection of connector (TH4, TH33) on the C.B. Check breaking of the lead wire for TH4, TH33.</p> <p>② Check resistance value of TH4, TH33 or temperature by microprocessor.</p> <p>③ Replace C.B.</p>
U4 (TH3: 5105) (TH7: 5106) (TH8: 5110) (TH32: 5132) (TH34: 5134)	<p>Open/short of heat pump unit thermistors (TH3, TH32, TH34, TH7 and TH8) Abnormal if open or short is detected during compressor operation. Open detection of TH3, TH32 and TH34 is inoperative for 10 seconds to 10 minutes after compressor starting. Note: Check which unit has abnormality in its thermistor by switching the mode of SW2. (PAC-SK52ST)</p>	<p>① Disconnection or contact failure of connectors C.B.: TH3, TH32, TH34, TH7 Power board: CN6</p> <p>② Defective thermistor</p> <p>③ Defective C.B.</p>	<p>① Check connection of connector (TH3, TH32, TH34 TH7) on the C.B. Check connection of connector (CN6) on the power board. Check breaking of the lead wire for TH3, TH32, TH34, TH7, TH8.</p> <p>② Check resistance value of TH3, TH32, TH34, TH7, TH8 or check temperature by microprocessor.</p> <p>③ Replace C.B. Note: Emergency operation is available in case of abnormalities of TH3 and TH7.</p>
U5 (4230)	<p>Temperature of heat sink Abnormal if TH8 detects temperature indicated 95°C. TH8: Thermistor <Heat sink></p>	<p>① Rise of ambient temperature</p> <p>② Defective thermistor</p> <p>③ Defective input circuit of power circuit board</p> <p>④ Failure of brine pump drive circuit</p>	<p>① Check if there is something which causes temperature rise around unit. (Upper limit of ambient temperature is 35°C.) Turn off power, and on again to check if U5 is displayed within 30 minutes. If U4 is displayed instead of U5, follow the action to be taken for U4.</p> <p>② Check resistance value of TH8 or temperature by microprocessor.</p> <p>③ Replace power circuit board.</p> <p>④ Replace C.B.</p>
U6 (4250)	<p>Power module Check abnormality by driving power module in case overcurrent is detected. (UF or UP error condition)</p>	<p>① Decrease of power supply voltage</p> <p>② Looseness, disconnection or converse of compressor wiring connection</p> <p>③ Defective compressor</p> <p>④ Defective C.B.</p>	<p>① Check facility of power supply.</p> <p>② Correct the wiring (U•V•W phase) to compressor.</p> <p>③ Check compressor</p> <p>④ Replace C.B.</p>

6 Ground source heat pump (GSHP)

Code	Error	Cause	Action
U7 (1520)	Too low superheat due to low discharge temperature Abnormal if discharge superheat is continuously detected less than or equal to -15°C for 3 minutes even though linear expansion valve has minimum open pulse after compressor starts operating for 10 minutes.	<ol style="list-style-type: none"> ① Disconnection or loose connection of discharge temperature thermistor (TH4) ② Defective holder of discharge temperature thermistor ③ Disconnection or loose connection of linear expansion valve's coil ④ Disconnection or loose connection of linear expansion valve's connector ⑤ Defective linear expansion valve 	<ol style="list-style-type: none"> ①② Check the installation conditions of discharge temperature thermistor (TH4). ③ Check the coil of linear expansion valve. ④ Check the connection or contact of LEV-A on C.B. ⑤ Check linear expansion valve.
U8 (4400)	Brine pump Abnormal if rotational frequency of the brine pump is not detected during DC brine pump operation. Brine pump rotational frequency is abnormal if 500 rpm or below or 5000 rpm or more detected continuously for 1 minute.	<ol style="list-style-type: none"> ① Failure in the operation of the DC brine pump ② Failure in the C.B. 	<ol style="list-style-type: none"> ① Check or replace the DC brine pump. ② Check the voltage of the C.B. during operation. ③ Replace the C.B. (When the failure is still indicated even after performing the action ① above.)
U9 (4220)	Abnormal voltage error See service handbook.	See service handbook.	See service handbook.
UE (1302)	Abnormal pressure of 63HS Abnormal if 63HS detects 0.1 MPa or less. Detection is inoperative for 3 minutes after compressor starting and 3 minutes after and during defrosting. 63HS: High pressure sensor	<ol style="list-style-type: none"> ① Disconnection or contact failure of connector (63HS) on the C.B. ② Defective pressure sensor ③ Defective C.B. 	<ol style="list-style-type: none"> ① Check connection of connector (63HS) on the C.B. Check breaking of the lead wire for 63HS. ② Check pressure by microprocessor. (Pressure sensor/ 63HS) ③ Replace C.B.
UL (1300)	Low pressure Abnormal if TH33-TH4 exceeds 20°C and TH33 exceeds 80°C during compressor operation.	<ol style="list-style-type: none"> ① Defective linear expansion valve. ② Defective C.B. 	<ol style="list-style-type: none"> ① Check linear expansion valve. ② Replace C.B.
UF (4100)	Compressor overcurrent interruption (When compressor locked) Abnormal if overcurrent of DC bus or compressor is detected within 30 seconds after compressor starts operating.	<ol style="list-style-type: none"> ① Decrease of power supply voltage ② Looseness, disconnection or converse of compressor wiring connection ③ Defective compressor ④ Defective power board 	<ol style="list-style-type: none"> ① Check facility of power supply. ② Correct the wiring (U•V•W phase) to compressor. ③ Check compressor. ④ Replace power circuit board.
UH (5300)	Current sensor error or input current error <ul style="list-style-type: none"> • Abnormal if current sensor detects -1.0A to 1.0A during compressor operation. (This error is ignored in case of test run mode.) • Abnormal if 40A of input current is detected or 37A or more of input current is detected for 10 seconds continuously. 	<ol style="list-style-type: none"> ① Disconnection of compressor wiring ② Defective circuit of current sensor on power circuit board ③ Decrease of power supply voltage ④ Leakage or shortage of refrigerant 	<ol style="list-style-type: none"> ① Correct the wiring (U•V•W phase) to compressor. ② Replace power circuit board. ③ Check the facility of power supply. ④ Check leakage of refrigerant.
UA (2511)	Low brine flow rate (flow switch operated) Abnormal if flow switch is operated (under 5.5L/min) during compressor operation.	<ol style="list-style-type: none"> ① Valve of brine circuit is closed during operation. ② Disconnection or loose connection of connector (63L) on C.B. ③ Disconnection or loose connection of 63L ④ Defective C.B. ⑤ Leakage or shortage of brine 	<ol style="list-style-type: none"> ① Check valve. ②-④ Turn the power off and on again to check if F3 is displayed on restarting. If F3 is displayed, follow the F3 processing direction. ⑤ Correct to proper amount of refrigerant.
UP (4210)	Compressor overcurrent interruption Abnormal if overcurrent DC bus or compressor is detected after compressor starts operating for 30 seconds.	See service handbook.	See service handbook.

6 Ground source heat pump (GSHP)

■ Annual Maintenance

It is essential that the heat pump is serviced at least once a year by a qualified individual. Any required parts should be purchased from Mitsubishi Electric. NEVER bypass safety devices or operate the unit without them being fully operational. For more details, refer to service handbook.

Note:
Within the first couple of months of installation, remove and clean the heat pump unit's strainer plus any additional filter items that are fitted external to the heat pump unit. This is especially important when installing on an old/existing pipe work system.

In addition to annual servicing it is necessary to replace or inspect some parts after a certain period of system operation. Please see tables below for detailed instructions. Replacement and inspection of parts should always be done by a competent person with relevant training and qualifications.

Parts which require regular replacement

Parts	Replace every	Possible failures
Pressure relief valve (PRV) Manometer	6 years	Water leakage

Parts which require regular inspection

Parts	Check every	Possible failures
Pressure relief valve (3 bar)	1 year (turning the knob manually)	PRV would be fixed and expansion vessel would burst
Immersion heater (Optional part)	2 years	Earth leakage causing circuit breaker to activate (Heater is always OFF)
Water circulation pump (Primary circuit)	20,000 hrs (3 years)	Water circulation pump failure
Brine circulation pump	30,000 hrs (4.5 years)	Brine circulation pump failure

Parts which must NOT be reused when servicing

- * O-ring
- * Gasket

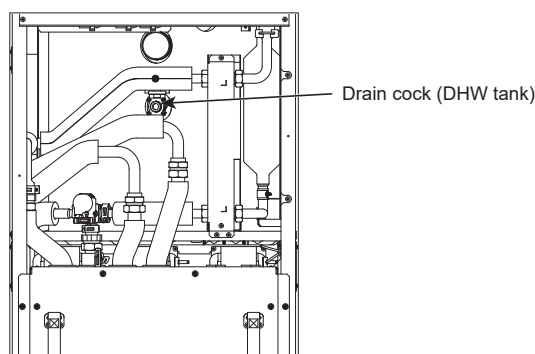
Note:

- Always replace the gasket for pump with a new one at each regular maintenance (every 20,000 hours of use or every 3 years).

<Draining the heat pump unit and its primary heating circuit (local)>

WARNING: DRAINED WATER MAY BE VERY HOT

1. Before attempting to drain the heat pump unit isolate from the electrical supply to prevent the immersion and booster heaters burning out.
2. Isolate cold water feed to DHW tank.
3. Open a hot water tap to start draining without a vacuum.
4. Attach a hose to the DHW tank drain cocks. The hose should be able to withstand heat as the draining water could be very hot. The hose should drain to a place lower than the DHW tank bottom to encourage siphoning.
5. When the DHW tank is drained close drain cock and hot tap.
6. Attach hose to water circuit drain cocks (No. 7 on Figure 6.5.1). The hose should be able to withstand heat as the draining water could be very hot. The hose should drain to a place lower than the booster heater drain cock to encourage siphoning. Open the pump valves and the strainer valves.
7. Water remains in the strainer still after the heat pump unit was drained. Drain the strainer by removing the strainer cover.



<Figure 6.8.1>

6 Ground source heat pump (GSHP)

■ Engineers Forms

Should settings be changed from default, please enter and record new setting in 'Field Setting' column. This will ease resetting in the future should the system use change or the circuit board need to be replaced.

Commissioning/Field settings record sheet

Main remote controller screen		Parameters	Default setting	Field setting	Notes	
Main		Zone1 heating room temp.	10°C - 30°C	20°C		
		Zone2 heating room temp. *8	10°C - 30°C	20°C		
		Zone1 heating flow temp.	20°C - 60°C	45°C		
		Zone2 heating flow temp. *1	20°C - 60°C	35°C		
		Zone1 heating compensation curve	-9°C - + 9°C	0°C		
		Zone2 heating compensation curve *1	-9°C - + 9°C	0°C		
		Holiday mode	Active/Non active/Set time	—		
Option		Forced DHW operation	On/Off	—		
		DHW	On/Off/Timer	On		
		Heating	On/Off/Timer	On		
		Energy monitor	Consumed electrical energy/Delivered energy	—		
Setting	DHW	Operation mode	Normal/Eco	Eco		
		DHW max. temp.	40°C - 60°C	50°C		
		DHW ma. temp. drop	5°C - 30°C	10°C		
		DHW max. operation time	30 - 120 min	60 min		
		DHW mode restriction	30 - 120 min	30 min		
		DHW recharge	Standard/Large	Standard		
	Legionella prevention	Active	Yes/No	Yes		
		Hot water temp.	60°C - 70°C	65°C		
		Frequency	1 - 30 days	15 days		
		Start time	00.00 - 23.00	03.00		
		Max. operation time	1 - 5 hours	3 hours		
		Duration of maximum temp.	1 - 120 min	30 min		
		Heating	Zone1 operation mode	Heating room temp./ Heating flow temp./ Heating compensation curve	Room temp.	
	Zone2 operation mode *1		Heating room temp./ Heating flow temp./ Heating compensation curve	Compensation curve		
	Compensation curve	Hi flow temp. set point	Zone1 outdoor ambient temp.	-30°C - +33°C	-15°C	
			Zone1 flow temp.	20°C - 60°C	50°C	
			Zone2 outdoor ambient temp. *1	-30°C - +33°C	-15°C	
			Zone2 flow temp. *1	20°C - 60°C	40°C	
		Lo flow temp. set point	Zone1 outdoor ambient temp.	-28°C - +35°C	35°C	
			Zone1 flow temp.	20°C - 60°C	25°C	
			Zone2 outdoor ambient temp. *1	-28°C - +35°C	35°C	
			Zone2 flow temp. *1	20°C - 60°C	25°C	
		Adjust	Zone1 outdoor ambient temp.	-29°C - +34°C	—	
			Zone1 flow temp.	20°C - 60°C	—	
			Zone2 outdoor ambient temp. *1	-29°C - +34°C	—	
			Zone2 flow temp. *1	20°C - 60°C	—	
	Holiday	DHW	Active/Non active	Non active		
		Heating	Active/Non active	Active		
		Zone1 heating room temp.	10°C - 30°C	15°C		
		Zone2 heating room temp. *8	10°C - 30°C	15°C		
		Zone1 heating flow temp.	20°C - 60°C	35°C		
		Zone2 heating flow temp. *1	20°C - 60°C	25°C		
Initial settings	Language	EN/FR/DE/SV/ES/IT/DA/NL/FI/NO/PT/BG/PL/CZ/RU/TR/SL	EN			
	°C/°F	°C/°F	°C			
	Summer time	On/Off	Off			
	Temp. display	Room/DHW tank/Room&DHW tank / Off	Off			
	Time display	hh:mm/hh:mm AM/AM hh:mm	hh:mm			
	Room sensor settings for Zone1	TH1/Main RC/Room RC1-8/"Time/Zone"	TH1			
	Room sensor settings for Zone2 *1	TH1/Main RC/Room RC1-8/"Time/Zone"	TH1			
	Room RC zone select *1	Zone1/Zone2	Zone1			

6 Ground source heat pump (GSHP)

■ Engineers Forms

Commissioning/Field settings record sheet (continued from the previous page)

Main remote controller screen			Parameters		Default setting	Field setting	Notes		
Setting	Service menu	Thermistor adjustment	THW1	-10°C - +10°C		0°C			
			THW2	-10°C - +10°C		0°C			
			THW5A	-10°C - +10°C		0°C			
			THW5B	-10°C - +10°C		0°C			
			THW6	-10°C - +10°C		0°C			
			THW7	-10°C - +10°C		0°C			
			THW8	-10°C - +10°C		0°C			
			THW9	-10°C - +10°C		0°C			
			THW10	-10°C - +10°C		0°C			
			THWB1	-10°C - +10°C		0°C			
		Auxiliary settings	Economy settings for pump.	On/Off *2 Delay (3 - 60 min)		On 10 min			
			Electric heater (Heating)	Space heating: On (used)/Off (not used) Electric heater delay timer (5 - 180 min)		On 30 min			
			Electric heater (DHW)	Booster heater	DHW: On (used)/Off (not used)		On		
				Immersion heater	DHW: On (used)/Off (not used)		On		
					Electric heater delay timer (15 - 30 min)		15 min		
			Mixing valve control	Running (10 - 240 sec) Interval (1 - 30 min)		120 sec 2 min			
			Flow sensor *10	Minimum (0 - 100L/min)		5 L/min			
				Maximum (0 - 100L/min)		100 L/min			
			Analog output	Interval (1 - 30 min)		5 min			
				Priority (Normal/High)		Normal			
Pump speed	DHW	Pump speed (1 - 5)		5					
	Heating	Pump speed (1 - 5)		5					
Heat source setting			Standard/Heater/Boiler/Hybrid *3		Standard				
Heat pump settings		Heat pump flow rate range	Minimum (0 - 100L/min)		5 L/min				
			Maximum (0 - 100L/min)		100 L/min				
		Quiet mode	Day (Mon - Sun)		—				
Time			0:00-23:45						
		Quiet level (Normal/Level1/Level2)		Normal					
Operation settings	Heating operation	Flow temp. range *6	Minimum.temp. (20 - 45°C)		30°C				
			Maximum.temp. (35 - 60°C)		50°C				
		Room temp. control *9	Mode (Normal/Fast) Interval(10 - 60min)		Normal 10min				
	Heat pump thermo diff. adjust	On/Off *2		On					
		Lower limit (-9 - -1°C)		-5°C					
		Upper limit (+3 - +5°C)		5°C					
	Freeze stat function *7		Outdoor ambient temp. (3 - 20°C) / **		5°C				
	Simultaneous operation (DHW/Heating)	On/Off *2		Off					
		Outdoor ambient temp. (-30 - +10°C)		-15°C					
	Cold weather function	On/Off *2		Off					
Outdoor ambient temp. (-30 - -10°C)		-15°C							
Boiler operation	Hybrid settings	Outdoor ambient temp. (-30 - +10°C)		-15°C					
		Priority mode (Ambient/Cost/CO ₂)		Ambient					
	Intelligent settings	Energy price *5	Electricity (0.001 - 999 */kWh)	0.5 */kWh					
			Boiler (0.001 - 999 */kWh)	0.5 */kWh					
		CO ₂ emission	Electricity (0.001 - 999 kg -CO ₂ /kWh)	0.5 kg -CO ₂ /kWh					
	Boiler (0.001 - 999 kg -CO ₂ /kWh)		0.5 kg -CO ₂ /kWh						
	Heat source	Heat pump capacity (1 - 40 kW)		11.2 kW					
Boiler efficiency (25 - 150%)		80%							
Booster heater 1 capacity (0 - 30 kW)		2 kW							
Booster heater 2 capacity (0 - 30 kW)		4 kW							

Cylinder unit/
Hydrobox/GSHP/WTW

6 Ground source heat pump (GSHP)

■ Engineers Forms

Commissioning/Field settings record sheet (continued from the previous page)

Main remote controller screen				Parameters		Default setting	Field setting	Notes
Setting	Service menu	Operation settings	Smart grid ready	DHW	On/Off	Off		
					Target temp (+1 - +20°C) / -- (Non active)	--		
			Heating	On/Off		Off		
				Target temp.	Switch-on recommendation (20 - 60°C)	50°C		
			Pump cycles	Switch-on command (20 - 60°C)	55°C			
				Heating (On/Off)		On		
			Floor dry up function	Interval (10-120 min)		10 min		
				On/Off *2		Off		
			Target temp.	Start&Finish (20 - 60°C)		30°C		
				Max. temp. (20 - 60°C)		45°C		
			Flow temp. (Increase)	Max. temp. period (1 - 20 days)		5 days		
				Temp. increase step (+1 - +10°C)		+5°C		
			Flow temp. (Decrease)	Increase interval (1 - 7 days)		2 days		
				Temp. decrease step (-1 - -10°C)		-5°C		
			Decrease interval (1 - 7 days)			2 days		
				Forced heating ON (-30 - 10°C)		5 °C		
		Summer mode	On/Off			Off		
			Outdoor ambient temp.	Heating ON (4 - 19°C)		10°C		
			Heating OFF (5 - 20°C)		15°C			
		Judgement time	Heating ON (1 - 48 hours)		6 hours			
			Heating OFF (1 - 48 hours)		6 hours			
			Forced heating ON (-30 - 10°C)		5 °C			
		Water flow control	On/Off			Off		
	Energy monitor settings	Electric heater capacity	Booster heater 1 capacity	0 - 30kW		2kW		
			Booster heater 2 capacity	0 - 30kW		4kW		
			Immersion heater capacity	0 - 30kW		0kW		
			Analog output	0 - 30kW		0kW		
		Delivered energy adjustment	-50 - +50%		0%			
		Water pump input	Pump 1	0 - 200W or ***(factory fitted pump)		***		
			Pump 2	0 - 200W		0W		
			Pump 3	0 - 200W		0W		
			Pump 4	0 - 200W		72W		
		Electric energy meter *4	0.1/1/10/100/1000 pulse/kWh		1000 pulse/kWh			
	Heat meter *4	0.1/1/10/100/1000 pulse/kWh		1000 pulse/kWh				
	External input settings	Demand control (IN4)	Heat source OFF/Boiler operation		Boiler operation			
		Outdoor thermostat (IN5)	Heater operation/Boiler operation		Boiler operation			
	Thermo ON output		Zone1/Zone2/Zone1&2		Zone1&2			

*1 The settings related to Zone2 can be switched only when 2 zone temperature control is enabled (when DIP SW2-6 and SW 2-7 (FTC) are ON).

*2 On: the function is active; Off: the function is inactive.

*3 When DIP SW1-1 (FTC) is set to OFF "WITHOUT Boiler" or SW2-6 (FTC) is set to OFF "WITHOUT Mixing tank", neither Boiler nor Hybrid can be selected.

*4 The default setting is 1 pulse/kWh depending on the connected indoor unit.

5 "" of "*/kWh" represents currency unit (e.g. € or £ or the like)

*6 Valid only when operating in Heating room temperature.

*7 If asterisk (**) is chosen freeze stat function is deactivated. (i.e. primary water freeze risk)

*8 The settings related to Zone2 can be switched only when 2-zone temperature control or 2-Zone valve ON/OFF control is active.

*9 When DIP SW5-2 (FTC) is set to OFF, the function is active.

*10 Do not change the setting since it is set according to the specification of flow sensor attached to the heat pump unit.

6 Ground source heat pump (GSHP)

6.9. Supplementary information

■ Back-up operation of boiler

Heating operation is backed up by boiler.

For more details, refer to the installation manual of PAC-TH012HT-E.

<Installation & System set up>

1. Set DIP-SW 1-1 (FTC) to ON "With boiler" and SW2-6 (FTC) to ON "With Mixing tank".
2. Install the thermistors THWB1*¹ on the boiler circuit.
3. Connect the output wire (OUT10: Boiler operation) to the input (room thermostat input) on the boiler. *²
4. Install one of the following room temperature thermostats. *³

- Wireless remote controller (option)
- Room temp. thermostat (local supply)
- Main remote controller (remote position)

*¹ The boiler temperature thermistor is an optional part.

*² OUT10 has no voltage across it.

*³ Boiler heating is controlled on/off by the Room temp. thermostat.

<Main remote controller settings>

1. Go to Service menu > Heat source setting and choose "Boiler" or "Hybrid". *⁴
2. Go to Service menu > Operation settings > Boiler settings to make detailed settings for "Hybrid" above .

*⁴ The "Hybrid" automatically switches heat sources between Heat pump (and Electric heater) and boiler.

■ Product fiche of temperature control

- (a) Supplier's name: MITSUBISHI ELECTRIC CORPORATION
- (b) Supplier's model identifier: PAR-WT50R-E and PAR-WR51R-E
- (c) The class of the temperature control: VI
- (d) The contribution of the temperature control to seasonal space heating energy efficiency: 4%

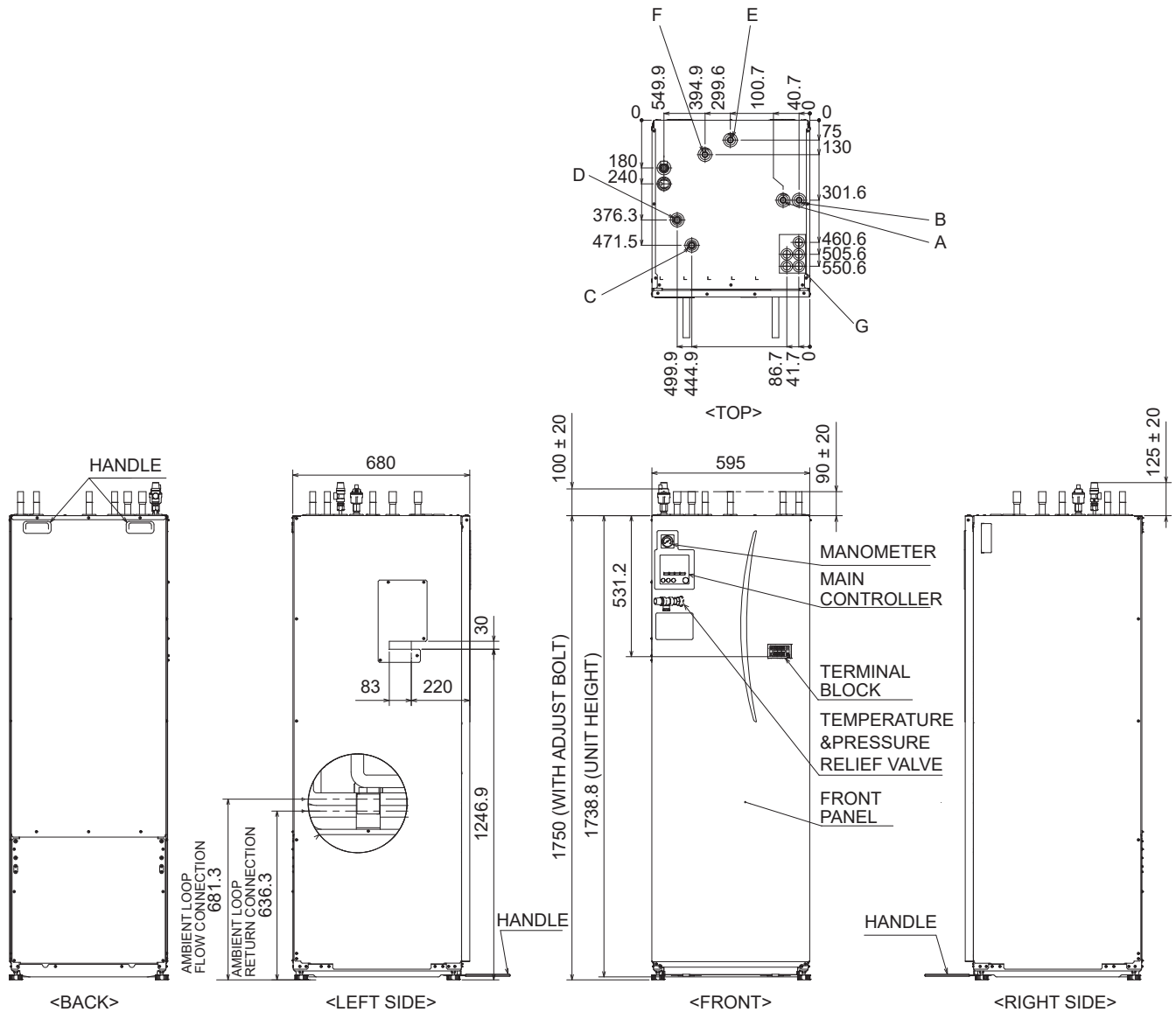
7 Water to Water Heat Pump (WTW)

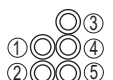
7.1. Outlines and dimensions

7.1.1 Technical Drawings

<Unit: mm>

Cylinder unit/
Hydrobox/GSHP/WTW



Letter	Pipe description	Connection size/type
A	DHW outlet connection	22 mm/Compression
B	Cold water inlet connection	22 mm/Compression
C	Space heating return connection	28 mm/Compression
D	Space heating flow connection	28 mm/Compression
E	Ambient loop return connection	22 mm/Compression
F	Ambient loop flow connection	22 mm/Compression
G	Electrical cable inlets 	For inlets ① and ②, run low-voltage wires including external input wires and thermistor wires. For inlets ③, ④ and ⑤, run high-voltage wires including power cable, and external output wires. *For a wireless receiver (option) cable and ecodan Wi-Fi interface (option) cable, use inlet ①.

<Table 7.1.1>

7 Water to Water Heat Pump (WTW)

Service access diagrams

Service access	
Parameter	Dimension (mm)
a	300
b	150
c (distance behind unit not visible in Figure 7.1.2)	10
d	700**
e	150*

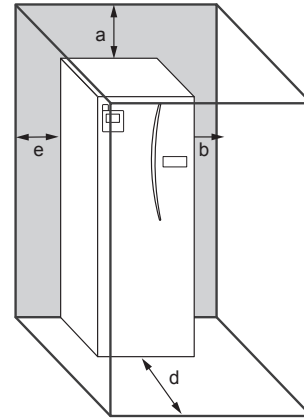
<Table 7.1.2>

* An additional space is required, when brine pipe connecting to the side.

** Including service space for Module removal.

Sufficient space MUST be left for the provision of discharge pipework as detailed in National and Local Building Regulations.

The heat pump unit must be located indoors and in a frost-free environment, for example in a utility room, to minimise heat loss from stored water.

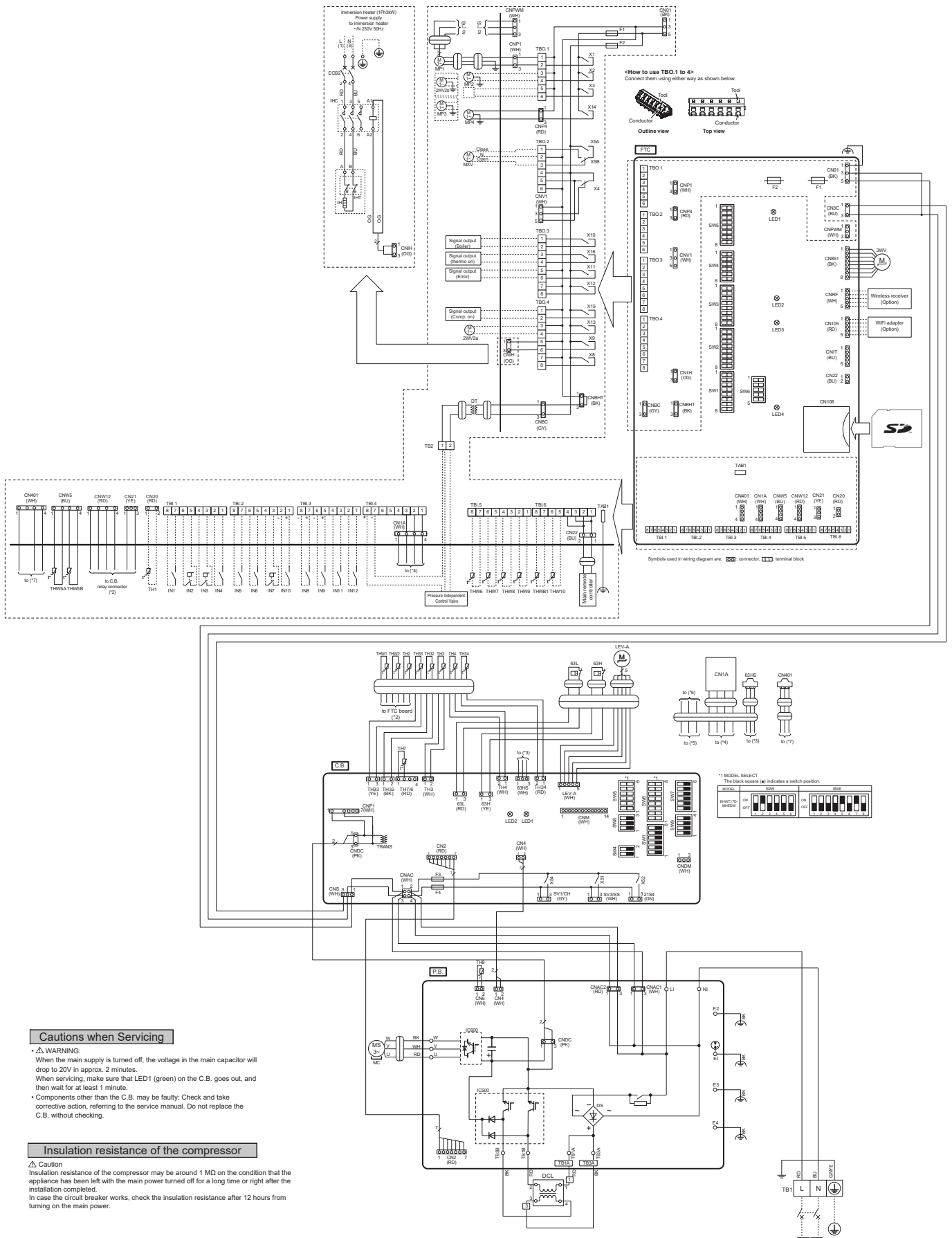


<Figure 7.1.2>
Service access

7 Water to Water Heat Pump (WTW)

7.2. Wiring diagrams

EHWT17D-MHEDW



Cylinder unit/
Hydrobox/GSHP/WTW

Cautions when Servicing

- ⚠ **WARNING:**
When the main supply is turned off, the voltage in the main capacitor will drop to 20V in approx. 2 minutes.
When servicing, make sure that LED1 (green) on the C.B. goes out, and then wait for at least 1 minute.
- Components other than the C.B. may be faulty. Check and take corrective action, referring to the service manual. Do not replace the C.B. without checking.

Insulation resistance of the compressor

⚠ **Caution**
Insulation resistance of the compressor may be around 1 MΩ on the condition that the appliance has been left with the main power turned off for a long time or right after the installation completed.
In case the circuit breaker works, check the insulation resistance after 12 hours from turning on the main power.

7 Water to Water Heat Pump (WTW)

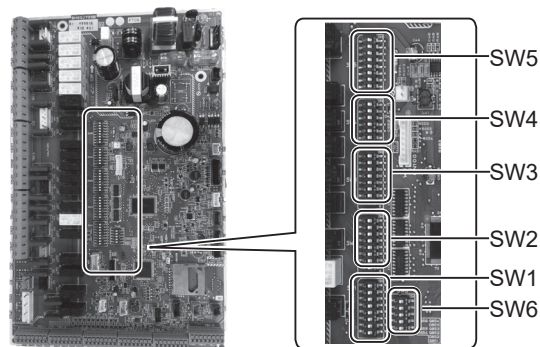
7.3. DIP Switch Function(FTC)

Located on the FTC printed circuit board are 6 sets of small white switches known as DIP switches. The DIP switch number is printed on the circuit board next to the relevant switches. The word ON is printed on the circuit board and on the DIP switch block itself. To move the switch you will need to use a pin or the corner of a thin metal ruler or similar.

DIP switch settings are listed below in Table 7.3.1.

Only an authorised installer can change DIP switch setting under one's own responsibility according to the installation condition.

Make sure to turn off heat pump unit power supplies before changing the switch settings.



<Figure 7.3.1>

DIP switch	Function	OFF	ON	Default settings
SW1	SW1-1 Boiler	WITHOUT Boiler	WITH Boiler	OFF
	SW1-2 Heat pump maximum outlet water temperature	55°C	60°C	ON
	SW1-3 DHW tank	WITHOUT DHW tank	WITH DHW tank	ON
	SW1-4 Immersion heater	WITHOUT Immersion heater	WITH Immersion heater	ON
	SW1-5 Booster heater	WITHOUT Booster heater	WITH Booster heater	OFF
	SW1-6 Booster heater function	For heating only	For heating and DHW	OFF
	SW1-7 —	—	—	OFF
	SW1-8 Wireless remote controller	WITHOUT Wireless remote controller	WITH Wireless remote controller	OFF
SW2	SW2-1 Room thermostat1 input (IN1) logic change	Zone1 operation stop at thermostat short	Zone1 operation stop at thermostat open	OFF
	SW2-2 Flow switch1 input (IN2) logic change	Failure detection at short	Failure detection at open	OFF
	SW2-3 Booster heater capacity restriction	Inactive	Active	OFF
	SW2-4 —	—	—	OFF
	SW2-5 Automatic switch to backup heat source operation (When compressor stops by error)	Inactive	Active *1	OFF
	SW2-6 Mixing tank	WITHOUT Mixing tank	WITH Mixing tank	OFF
	SW2-7 2-zone temperature control	Inactive	Active *4	OFF
	SW2-8 —	—	—	ON
SW3	SW3-1 Room thermostat 2 input (IN6) logic change	Zone2 operation stop at thermostat short	Zone2 operation stop at thermostat open	OFF
	SW3-2 Flow switch 2,3 input (IN3,7) logic change	Failure detection at short	Failure detection at open	OFF
	SW3-3 —	—	—	ON
	SW3-4 Electric energy meter	WITHOUT Electric energy meter	WITH Electric energy meter	OFF
	SW3-5 —	—	—	OFF
	SW3-6 2-zone valve ON/OFF control	Inactive	Active	OFF
	SW3-7 —	—	—	ON
	SW3-8 Heat meter	WITHOUT Heat meter	WITH Heat meter	OFF
SW4	SW4-1 —	—	—	OFF
	SW4-2 —	—	—	OFF
	SW4-3 —	—	—	OFF
	SW4-4 Water circuit only operation (during installation work) *2	Inactive	Active	OFF
	SW4-5 Emergency mode (Heater only operation)	Normal	Emergency mode (Heater only operation)	OFF *3
	SW4-6 Emergency mode (Boiler operation)	Normal	Emergency mode (Boiler operation)	OFF *3
SW5	SW5-1 —	—	—	OFF
	SW5-2 Advanced auto adaptation	Inactive	Active	ON
	SW5-3 —	—	—	ON
	SW5-4 —	—	—	OFF
	SW5-5 Capacity code	—	—	OFF
	SW5-6 —	—	—	ON
	SW5-7 —	—	—	OFF
	SW5-8 —	—	—	OFF
SW6	SW6-1 —	—	—	OFF
	SW6-2 —	—	—	OFF
	SW6-3 Pressure sensor	Inactive	Active	ON
	SW6-4 Analog output signal (0-10V)	Inactive	Active	OFF
	SW6-5 Model select	Air to Water	Water to Water	ON

<Table 7.3.1>

Note: *1. External output (OUT11) will be available. For safety reasons, this function is not available for certain errors. (In that case, system operation must be stopped and only the water circulation pump keeps running.)

*2. Space heating and DHW can be operated only in water circuit, like an electric boiler. (Refer to "7.4.5 Water circuit only operation".)

*3. If emergency mode is no longer required, return the switch to OFF position.

*4. Active only when SW3-6 is set to OFF.

7 Water to Water Heat Pump (WTW)

7.4. Field wiring

7.4.1 Electrical Connection

All electrical work should be carried out by a suitably qualified technician. Failure to comply with this could lead to electrocution, fire, and death. It will also invalidate product warranty. All wiring should be according to national wiring regulations.

Breaker abbreviation	Meaning
ECB2	Earth leakage circuit breaker for immersion heater
TB1	Terminal block 1
TB2	Terminal block 2

Connections should be made to the terminals indicated in the figures.

Immersion heater should be connected independently from one another to dedicated power supplies.

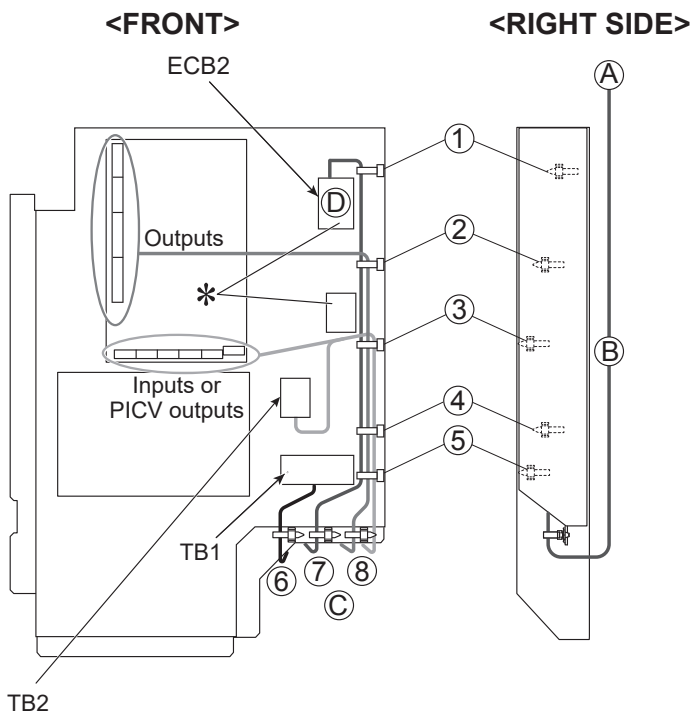
- Ⓐ Locally supplied wiring should be inserted through the inlets situated on the top of the heat pump unit. (Refer to <Table 7.1.1>.)
- Ⓑ Wiring should be fed down the back right hand side of the control and electrical box.
- Ⓒ The wires should be inserted individually through the cable inlets as below.
- Ⓓ Connect the power cable for the immersion heater to ECB2.

- Avoid contact between wiring and parts (*).
- Make sure that ECB2 is ON.
- When connecting PICV, connect the terminal and PICV

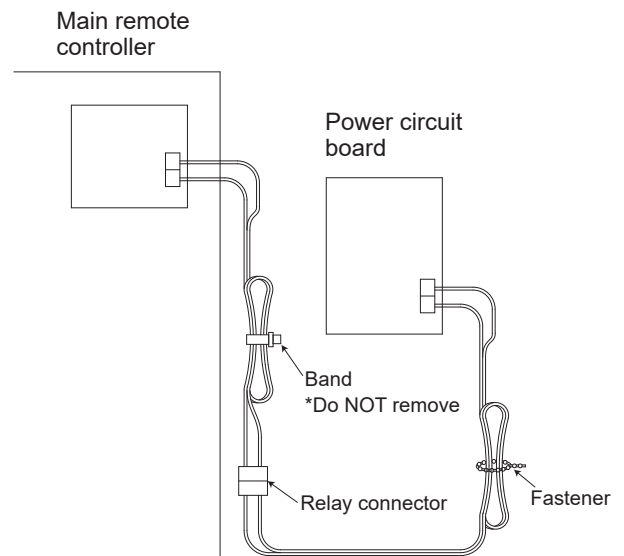
- Ⓔ The wires should be fixed with the cable straps as below
 - Immersion heater cables should use the cable strap ①, ⑦.
 - Output cables should use the cable strap ②, ④, ⑧.
 - Input cables, PICV power cables, and PICV output cables should use the cable strap ③, ⑤.
 - Power cables should use the cable strap ⑥.
- Ⓕ On completion of wiring ensure main remote controller cable is connected to the relay connector.

* Before connecting the main remote controller cable, remove the fastener bundling the cable between the power circuit board and the relay connector.

Caution: Do NOT remove the band bundling the cable between the main remote controller and the relay connector, or the heat pump unit may malfunction due to electrical noise of the power circuit board. (See Figure 7.4.2.)



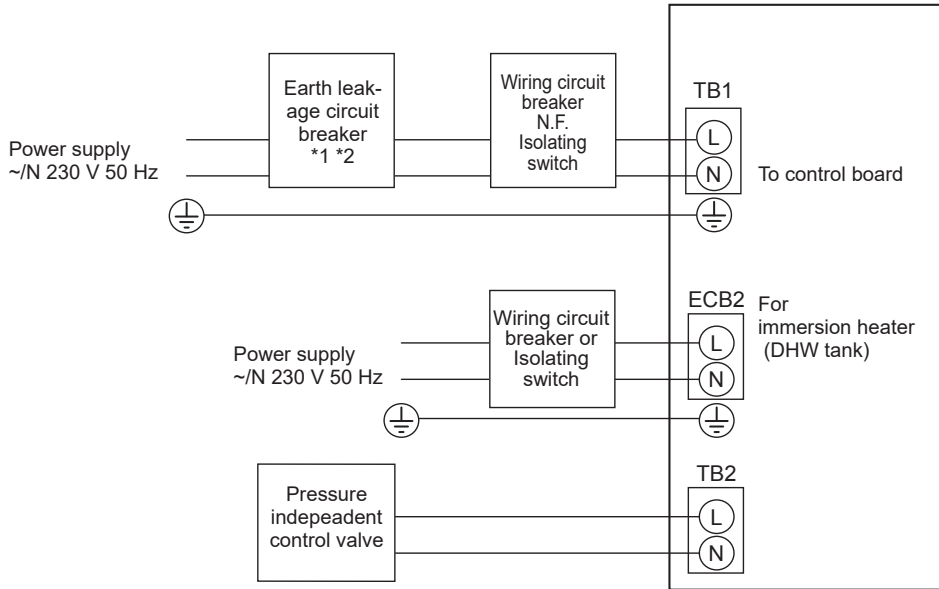
<Figure 7.4.1>



<Figure 7.4.2>

7 Water to Water Heat Pump (WTW)

Affix label A that is included with the manuals near each wiring diagram for heat pump units.



<Figure 7.4.3>
Electrical connections 1 phase

Description	Power supply	Capacity	Breaker	Wiring *4
Immersion heater (DHW tank)	~N 230 V 50 Hz	3 kW	16 A *2	2.5 mm ²

Water to water unit power supply	~N 230 V 50 Hz			
Water to water unit circuit breaker capacity	*2		16 A	
Wiring No. × size (mm ²)	Water to water unit power supply, earth	*4	3 × Min. 1.5	
Circuit rating	Water to water unit L, N	*3	230 V AC	

Description	Power supply	Capacity	Wiring specification
Pressure independent control valve (PICV) *5	~N 24 V 50 Hz	500 mA	Use sheathed vinyl coated cord or cable. Wire type: CV, CVS or equivalent Wire size: Stranded wire 0.13 mm ² to 0.52 mm ² Solid wire: ø0.4 mm to ø0.8 mm

*1.If the installed earth leakage circuit breaker does not have an over-current protection function, install a breaker with that function along the same power line.

*2.A breaker with at least 3.0 mm contact separation in each pole shall be provided. Use earth leakage breaker (NV). The breaker shall be provided to ensure disconnection of all active phase conductors of the supply.

*3.The values given in the table above are not always measured against the ground value.

*4.Use wires in conformity with design 60245 IEC 57.

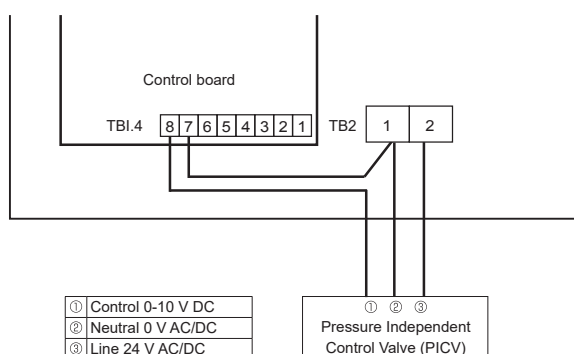
*5.External wiring length to PICV is less than 2 m.

Note: 1.Wiring size must comply with the applicable local and national codes.

2.Install an earth longer than other cables.

3.Please keep enough output capacity of power supply for each heater. Insufficient power supply capacity might cause chattering.

4.Stranded wire should be processed with insulation-covered bar terminal (DIN46228-4 standard compatible type).



<Figure 7.4.4>

Breaker abbreviation	Meaning
TB2	Terminal block 2

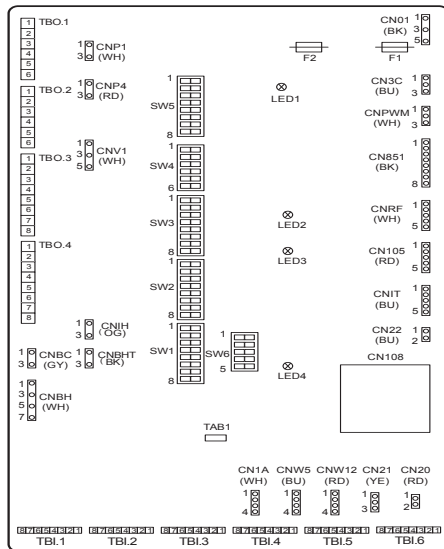
Connections should be made to the terminals indicated in Figure 7.4.4.

If connecting the PICV, attend to the following points.

- External wiring length to PICV is less than 2 m.
- Tighten the TBI 4.7 pin wiring and the PICV (0 V AC/DC) wiring together to TB2.

7 Water to Water Heat Pump (WTW)

7.4.2 Connecting inputs/outputs



<Figure 7.4.5>

Wiring specification and local supply parts

Item	Name	Model and specifications
Signal input function	Signal input wire	Use sheathed vinyl coated cord or cable. Max. 30 m Wire type: CV, CVS or equivalent Wire size: Stranded wire 0.13 mm ² to 0.52 mm ² Solid wire: ø0.4 mm to ø0.8 mm
	Switch	Non-voltage "a" contact signals Remote switch: minimum applicable load 12V DC, 1mA

Note:

Stranded wire should be processed with insulation-covered bar terminal (DIN46228-4 standard compatible type).

Cylinder unit/
Hydrobox/GSHP/WTW

■ Signal inputs

Name	Terminal block	Connector	Item	OFF (Open)	ON (Short)
IN1	TBI.1 7-8	—	Room thermostat 1 input *1	Refer to SW2-1 in <7.3.1 DIP Switch Functions>.	
IN2	TBI.1 5-6	—	Flow switch 1 input	Refer to SW2-2 in <7.3.1 DIP Switch Functions>.	
IN3	TBI.1 3-4	—	Flow switch 2 input (Zone1)	Refer to SW3-2 in <7.3.1 DIP Switch Functions>.	
IN4	TBI.1 1-2	—	Demand control input	Normal	Heat source OFF/ Boiler operation *3
IN5	TBI.2 7-8	—	Outdoor thermostat input *2	Standard operation	Heater operation/ Boiler operation *3
IN6	TBI.2 5-6	—	Room thermostat 2 input *1	Refer to SW3-1 in <7.3.1 DIP Switch Functions>.	
IN7	TBI.2 3-4	—	Flow switch 3 input (Zone2)	Refer to SW3-2 in <7.3.1 DIP Switch Functions>.	
IN8	TBI.3 7-8	—	Electric energy meter 1	*4	
IN9	TBI.3 5-6	—	Electric energy meter 2		
IN10	TBI.2 1-2	—	Heat meter		
IN11	TBI.3 3-4	—	Smart grid ready input	*5	
IN12	TBI.3 1-2	—			
INA1	TBI.4 1-3	CN1A	Flow sensor	—	—

- *1. Set the ON/OFF cycle time of the room thermostat for 10 minutes or more; otherwise the compressor may be damaged.
- *2. If using outdoor thermostat for controlling operation of heaters, the lifetime of the heaters and related parts may be reduced.
- *3. To turn on the boiler operation, use the main remote controller to select "Boiler" in "External input setting" screen in the service menu.

*4. Connectable electric energy meter and heat meter

- Pulse type Voltage free contact for 12VDC detection by FTC (TBI.2 1pin ,TBI.3 5 and 7 pins have a positive voltage.)
- Pulse duration Minimum ON time: 40ms
Minimum OFF time: 100ms
- Possible unit of pulse 0.1 pulse/kWh 1 pulse/kWh 10 pulse/kWh
100 pulse/kWh 1000 pulse/kWh

Those values can be set by the main remote controller. (Refer to the menu tree in "Main remote controller".)

- *5. As for the SG ready, refer to "Smart grid ready" in 7.7 System setup.

7 Water to Water Heat Pump (WTW)

■ Thermistor inputs

Name	Terminal block	Connector	Item	Optional part model
TH1	—	CN20	Thermistor (Room temp.) (Option)	PAC-SE41TS-E
TH2	—	CN21	Thermistor (Ref. liquid temp.)	—
THW1	—	CNW12 1-2	Thermistor (Flow water temp.)	—
THW2	—	CNW12 3-4	Thermistor (Return water temp.)	—
THW5A	—	CNW5 1-2	Thermistor (DHW tank upper water temp.)	—
THW5B	—	CNW5 3-4	Thermistor (DHW tank lower water temp.)	—
THW6	TBI.5 7-8	—	Thermistor (Zone1 flow water temp.) (Option) *1	PAC-TH011-E
THW7	TBI.5 5-6	—	Thermistor (Zone1 return water temp.) (Option) *1	PAC-TH011-E
THW8	TBI.5 3-4	—	Thermistor (Zone2 flow water temp.) (Option) *1	PAC-TH011-E
THW9	TBI.5 1-2	—	Thermistor (Zone2 return water temp.) (Option) *1	PAC-TH011-E
THW10	TBI.6 5-6	—	Thermistor (Mixing tank water temp.)	PAC-TH012HT-E
THWB1	TBI.6 7-8	—	Thermistor (Boiler flow water temp.) (Option) *1	PAC-TH012HT-E

Ensure to wire thermistor wirings away from the power line and/or OUT1 to 15 wirings.

*1. The maximum length of the thermistor wiring is 30 m. When the wires are wired to adjacent terminals, use ring terminals and insulate the wires.

The length of the optional thermistors are 5 m. If you need to splice and extend the wirings, following points must be carried out.

1) Connect the wirings by soldering.

2) Insulate each connecting point against dust and water. Stranded wire should be processed with insulation-covered bar terminal (DIN46228-4 standard compatible type).

7 Water to Water Heat Pump (WTW)

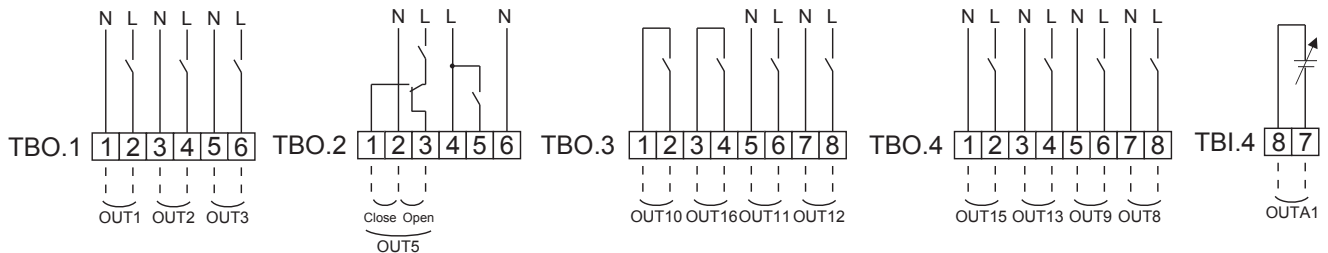
■ Outputs

Name	Terminal block	Connector	Item	OFF	ON	Signal/Max current	Max. total current
OUT1	TBO.1 1-2	CNP1	Water circulation pump 1 output (Space heating & DHW)	OFF	ON	230V AC 0.6A Max.	3.0A
OUT2	TBO.1 3-4	—	Water circulation pump 2 output (Space heating for Zone1)	OFF	ON	230V AC 1.0A Max.	
OUT3	TBO.1 5-6	—	Water circulation pump 3 output (Space heating for Zone2) *1 2-way valve 2b output *2	OFF	ON	230V AC 1.0A Max.	
OUT14	—	CNP4	Water circulation pump 4 output (DHW)	OFF	ON	230V AC 0.4A Max.	1.3A
OUT4	—	CN851	3-way valve output	Heating	DHW	—	
OUT5	TBO.2 1-2 TBO.2 2-3	—	Mixing valve output *1	Stop	Close Open	230V AC 0.1A Max.	
OUT6	—	—	—	—	—	—	
OUT7	—	—	—	—	—	—	
OUT8	TBO.4 7-8	—	—	—	—	—	
OUT9	TBO.4 5-6	CNIH	Immersion heater output	—	—	230V AC 0.1A Max. (Relay)	
OUT11	TBO.3 5-6	—	Error output	Normal	Error	230V AC 0.5A Max.	
OUT12	TBO.3 7-8	—	—	—	—	—	
OUT13	TBO.4 3-4	—	2-way valve 2a output *2	OFF	ON	230V AC 0.1A Max.	
OUT15	TBO.4 1-2	—	Comp ON signal	OFF	ON	230V AC 0.5A Max.	
OUT10	TBO.3 1-2	—	Boiler output	OFF	ON	non-voltage contact ·220-240V AC (30V DC) ·0.5A or less ·10mA 5V DC or more	—
OUT16	TBO.3 3-4	—	Heating thermo ON signal	OFF	ON		
OUTA1	TBI.4 7-8	—	Analog output (PICV Output)	OFF	ON	0-10V DC 5mA max.	—

Do not connect to the terminals that are indicated as “—” in the “Terminal block” field.

*1 For 2-zone temperature control.

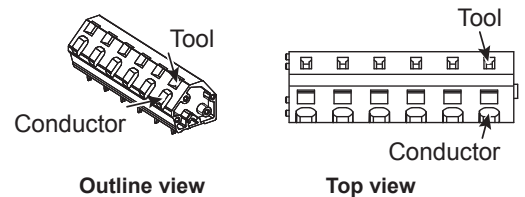
*2 For 2-zone valve ON/OFF control.



Wiring specification and local supply parts

Item	Name	Model and specifications
External output function	Outputs wire	Use sheathed vinyl coated cord or cable. Max. 30 m Wire type: CV, CVS or equivalent Wire size: Stranded wire: 0.25 mm ² to 1.5 mm ² Solid wire: ø0.57 mm to ø1.2 mm

How to use TBO.1 to 4



Connect them using either way as shown above.
<Figure 7.4.6>

Note:

- Do not connect multiple water circulation pumps directly to each output (OUT1, OUT2, and OUT3). In such a case, connect them via (a) relay(s).
- Do not connect water circulation pumps to both TBO.1 1-2 and CNP1 at the same time.
- Connect an appropriate surge absorber to OUT10 (TBO.3 1-2) depending on the load at site.
- Stranded wire should be processed with insulation-covered bar terminal (DIN46228-4 standard compatible type).
- Use the same thing as the Signal input wire for OUTA1 wiring.

7 Water to Water Heat Pump (WTW)

7.4.3 Wiring for 2-zone temperature control

Connect the pipe work and locally supplied parts according to the relevant circuit diagram shown "7.5.3 Local system 1".

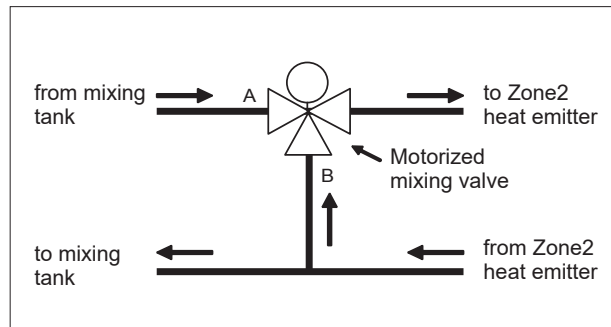
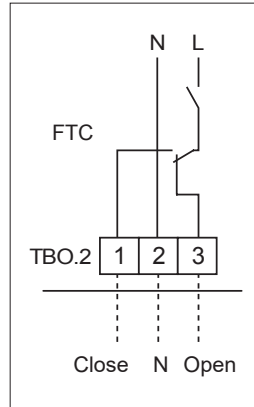
<Mixing valve>

Connect the signal line to open Port A (hot water inlet port) to TBO. 2-3 (Open), the signal line to open Port B (cold water inlet port) to TBO. 2-1 (Close), and the neutral terminal wire to TBO. 2-2 (N).

<Thermistor>

- Do not install the thermistors on the mixing tank.
- Install the Zone2 flow temp. thermistor (THW8) near the mixing valve.
- The maximum length of the thermistor wiring is 30 m.
- The length of the optional thermistors are 5 m. If you need to splice and extend the wirings, following points must be carried out.
 - 1) Connect the wirings by soldering.
 - 2) Insulate each connecting point against dust and water.

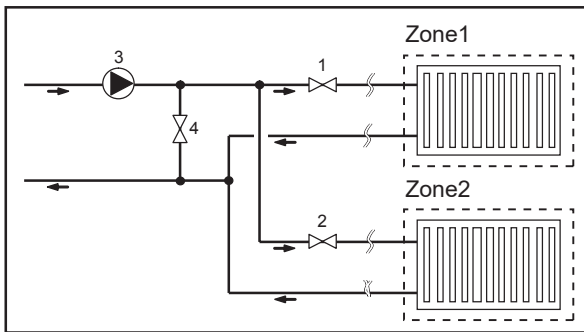
Note:
Do not install the thermistors on the mixing tank. This could affect correct monitoring of flow and return temperatures through each zone.
Install the Zone2 flow temp. thermistor (THW8) near the mixing valve.



7.4.4 2-zone valve ON/OFF control

Opening /closing 2-way valve provides a simple 2-Zone control. Flow temperature is common for Zone1 and 2.

1. Pipe work



1. Zone1 2-way valve 2a (local supply)
2. Zone2 2-way valve 2b (local supply)
3. Water circulation pump 2 (local supply) *1
4. By-pass valve (local supply) *2

***1 Install according to system in the field.**
***2 For safety protection, it is recommended to install a auto-operational (eg. mechanical spring ie. not manual valve) by-pass valve.**

Note:
Freeze stat function is deactivated whilst this control is ON. Use anti-freeze solution to avoid freezing, if necessary.

2. DIP switch

Turn DIP switch 3-6 ON.

3. 2-way valve 2a (for Zone1) / 2-way valve 2b (for Zone2)

Electrically wire 2-way valve 2a and 2b to the appropriate external output terminals. (Refer to "External outputs" in 7.4.2)

4. Room thermostat connection

Heating operation mode	Zone1	Zone2
Room temp. control (Auto adaptation) *3	<ul style="list-style-type: none"> • Wireless remote controller (option) • Room temperature thermistor (option) • Main remote controller (remote position) 	<ul style="list-style-type: none"> • Wireless remote controller (option)
Compensation curve or flow temp. control	<ul style="list-style-type: none"> • Wireless remote controller (option) *4 • Room temperature thermostat (local supply) 	<ul style="list-style-type: none"> • Wireless remote controller (option) *4 • Room temperature thermostat (local supply)

***3 Ensure to install the room thermostat for Zone1 in main room since the Room temp. control for Zone1 is prioritized.**

***4 The wireless remote controller can be used as a thermostat.**

7 Water to Water Heat Pump (WTW)

7.4.5 Water circuit only operation (Indoor unit only operation) (during installation work)

During installation work, once the primary and sanitary circuits are fully charged with water it may be flexible to engaged the electric heater to provide DHW (For UK only). *

1. To start operation

- Check if the power supply is OFF, and turn DIP switch 4-4 and 4-5 (on FTC) ON.
- Turn ON the power supply.

2. To end operation*1

- Turn OFF the power supply.
- Turn DIP switch 4-4 and 4-5 (on FTC) OFF.

*1 When the water circuit only operation is ended, ensure to check over the settings after ambient loop is connected and fully charged.

Note:

Prolonged running of this operation may affect the life of the electric heater.

*If booster heater equipped, the function is activated.


7 Water to Water Heat Pump (WTW)

7.4.6 Using SD memory card

The heat pump unit is equipped with an SD memory card interface in FTC.

Using an SD memory card can simplify main remote controller settings and can store operating logs. *1

<Handling precautions>

- (1) Use an SD memory card that complies with the SD standards. Check that the SD memory card has a logo on it of those shown to the right.
 - (2) SD memory cards to the SD standards include SD, SDHC, miniSD, micro SD, and microSDHC memory cards. The capacities are available up to 32 GB. Choose that with a maximum allowable temperature of 55°C.
 - (3) When the SD memory card is a miniSD, miniSDHC, microSD, or micro SDHC memory card, use an SD memory card converter adapter.
 - (4) Before writing to the SD memory card, release the write-protect switch.
- 
- (5) Before inserting or ejecting an SD memory card, make sure to power off the system. If an SD memory card is inserted or ejected with the system powered on, the stored data could be corrupted or the SD memory card be damaged. *An SD memory card is live for a short duration after the system is powered off. Before insertion or ejection wait until the LED lamps on the FTC control board are all off.
 - (6) The read and write operations have been verified using the following SD memory cards, however, these operations are not always guaranteed as the specifications of these SD memory cards could change.

Manufacturer	Model	Tested in
Verbatim	#44015	Mar. 2012
SanDisk	SDSDB-002G-B35	Oct. 2011
Panasonic	RP-SDP04GE1K	Oct. 2011
Arvato	2GB PS8032 TSB 24nm MLC	Jun. 2012
Arvato	2GB PS8035 TSB A19nm MLC	Jul. 2014
SanDisk	SDSDUN-008G-G46	Oct. 2016
Verbatim	#43961	Oct. 2016
Verbatim	#44018	Oct. 2016
VANTASTEK	VSDHC08	Sep. 2017
RiTEK	RiDATA 8GB SDHC	Aug. 2021

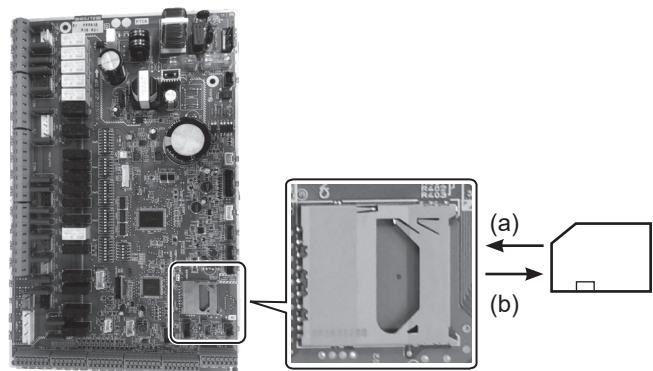
Before using a new SD memory card (including the card that comes with the unit), always check that the SD memory card can be safely read and written to by the FTC controller.







<How to check read and write operations>

- a) Check for correct wiring of power supply to the system.
For more details, refer to section 7.4.1.
(Do not power on the system at this point.)
 - b) Insert an SD memory card.
 - c) Power on the system.
 - d) The LED4 lamp lights if the read and write operations are successfully completed. If the LED4 lamp continues blinking or does not light, the SD memory card cannot be read or written to by the FTC controller.
- (7) Make sure to follow the instruction and the requirement of the SD memory card's manufacturer.
 - (8) Format the SD memory card if determined unreadable in step (6). This could make it readable.
Download an SD card formatter from the following site.
SD Association homepage: <https://www.sdcard.org/home/>

- (9) FTC supports FAT file system but not NTFS file system.
- (10) Mitsubishi Electric is not liable for any damages, in whole or in part, including failure of writing to an SD memory card, and corruption and loss of the saved data, or the like. Back up saved data as necessary.
- (11) Do not touch any electronic parts on the FTC control board when inserting or ejecting an SD memory card, or else the control board could fail.

(a) For insertion, push on the SD memory card until it clicks into place.
(b) For ejection, push on the SD memory card until it clicks.
Note: To avoid cutting fingers, do not touch sharp edges of the SD memory card connector (CN108) on the FTC control board.



Logos		
		
		
Capacities		
2 GB to 32 GB *2		
SD speed classes		
All		

- The SD Logo is a trademark of SD-3C, LLC.
The miniSD logo is a trademark of SD-3C, LLC.
The microSD logo is a trademark of SD-3C, LLC.

*1 To edit main remote controller settings or to check operating data, an ecodan service tool (for use with PC) is required.
*2 A 2-GB SD memory card stores up to 30 days of operation logs.

7 Water to Water Heat Pump (WTW)

7.5. Water circuit diagrams

7.5.1 Component Parts

■ Component Parts

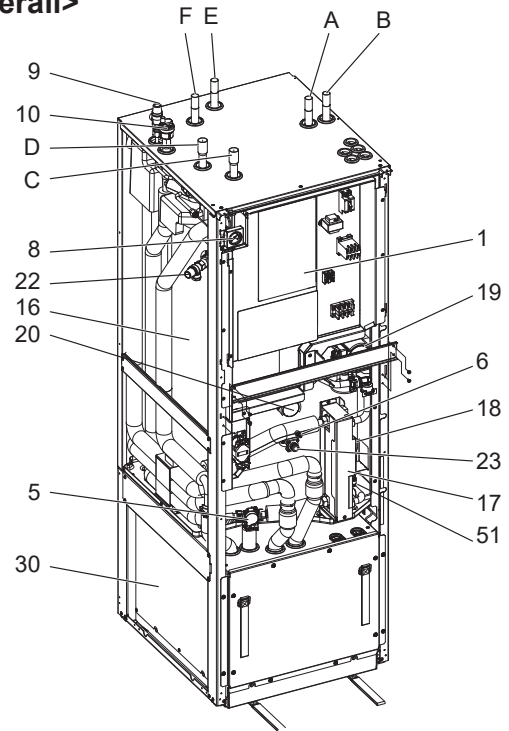
No.	Part name
A	DHW outlet pipe
B	Cold water inlet pipe
C	Water pipe (Space heating return connection (to heat pump))
D	Water pipe (Space heating flow connection (from heat pump))
E	Water/Brine pipe (Ambient loop return connection (to heat pump))
F	Water/Brine pipe (Ambient loop flow connection (from heat pump))
1	Control and electrical box
2	Main remote controller
3	Plate heat exchanger (Refrigerant - Primary circuit)
4	Low-pressure sensor
5	3-way valve
6	Manual air vent
7	Drain cock (Primary circuit)
8	Manometer
9	Pressure relief valve (3 bar) (Primary circuit)
10	Automatic air vent
11	Expansion vessel (Primary circuit) (Local supply)
12	Flow sensor
13	Strainer valve
14	Water circulation pump 1 (Primary circuit)
15	Pump valve
16	DHW tank
17	Plate heat exchanger (Primary circuit (water) - Sanitary circuit (water))
18	Scale trap
19	Water circulation pump (Sanitary circuit)
20	Immersion heater
21	Magnetic filter (Ambient loop) (Local supply)
22	Temperature and pressure relief valve
23	Drain cock (DHW tank)
24	Pressure relief valve (10 bar) (Ambient loop) (Local supply)
25	Flow water temp. thermistor (THW1)
26	Return water temp. thermistor (THW2)
27	DHW tank water temp. thermistor (THW5A)
28	DHW tank water temp. thermistor (THW5B)
29	Refrigerant liquid temp. thermistor (TH2)
30	Module
31	Drain pipe (Local supply)
32	Expansion vessel (Sanitary circuit (water)) *1
33	Isolating valve (Local supply)
34	Magnetic filter (Local supply) (Recommended)
35	PICV (Pressure Independent Control Valve) (Local supply)
36	Compressor
37	High-pressure sensor
38	Linear expansion valve
39	Charge plug
40	Liquid temp. thermistor (TH3)
41	Discharge temp. thermistor (TH4)
42	Ambient temp. thermistor (TH7)
43	Heat sink temp. thermistor (TH8)
44	Plate heat exchanger (Water/Brine - Refrigerant)
45	Drain cock (Ambient loop)
46	Inlet control group *1
47	Flow switch
48	Water inlet temperature (Ambient loop) thermistor (TH32)
49	Water outlet temperature (Ambient loop) thermistor (TH34)
50	Muffler
51	Drain cock (Sanitary circuit)
52	Filling loop (Ball valves, check valves and flexible hose) *1
53	High-pressure switch
54	Compressor surface temperature (TH33)

<Table 7.5.1>

*1 Supplied with UK model ONLY.
Please refer to PAC-WK02UK-E Installation Manual for more information on accessories.

Note: For parts not shown on this page, please refer to 'Circuit diagram <Figure 7.5.2>'.

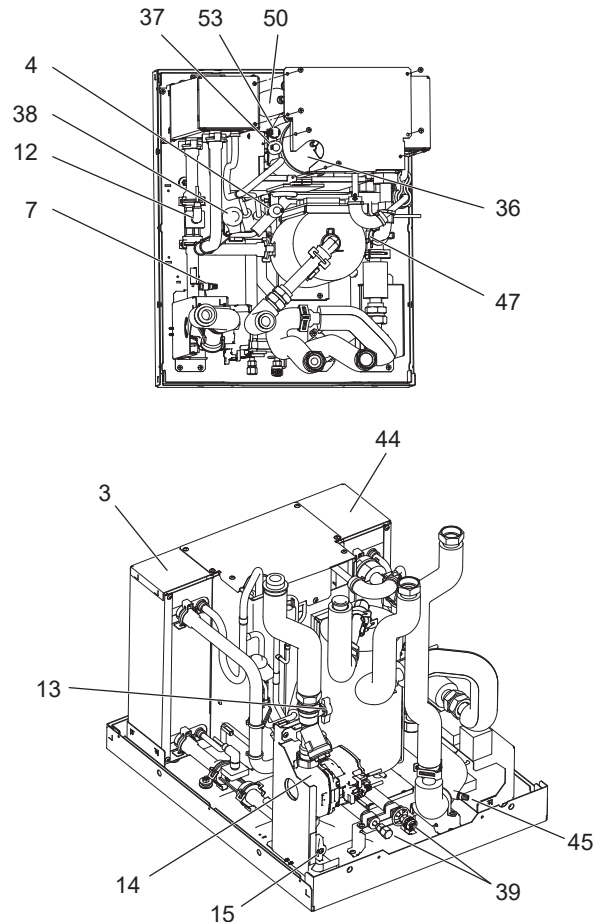
<Overall>



Note:

For installation, make sure to install a suitably sized primary-side expansion vessel. (See figure 7.5.2 and 7.6.4 for further guidance)

<Module>

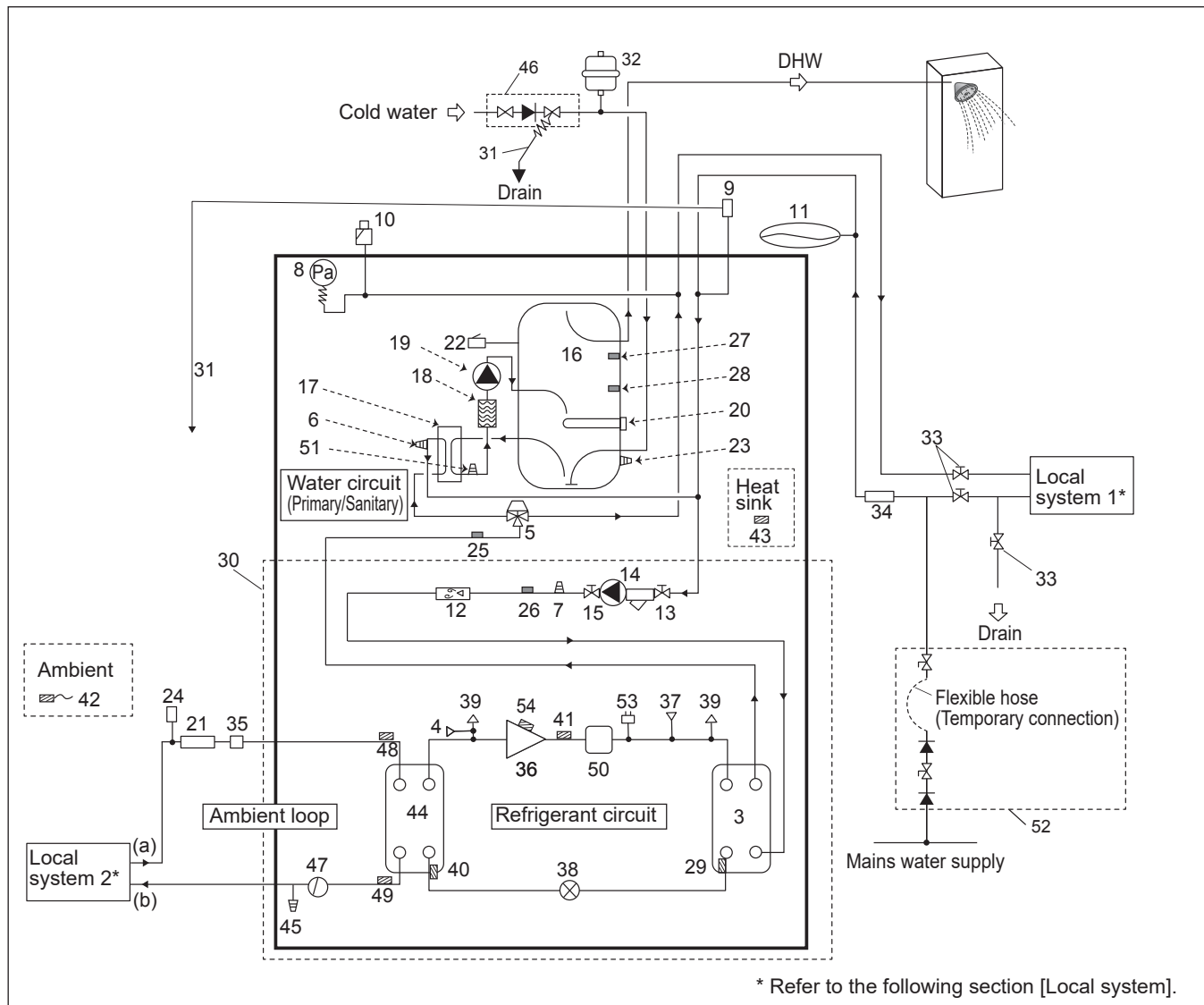


<Figure 7.5.1>

7 Water to Water Heat Pump (WTW)

7.5.2 Circuit diagram

• Refer to <Table 7.5.1> for the part names.



<Figure 7.5.2>

Note

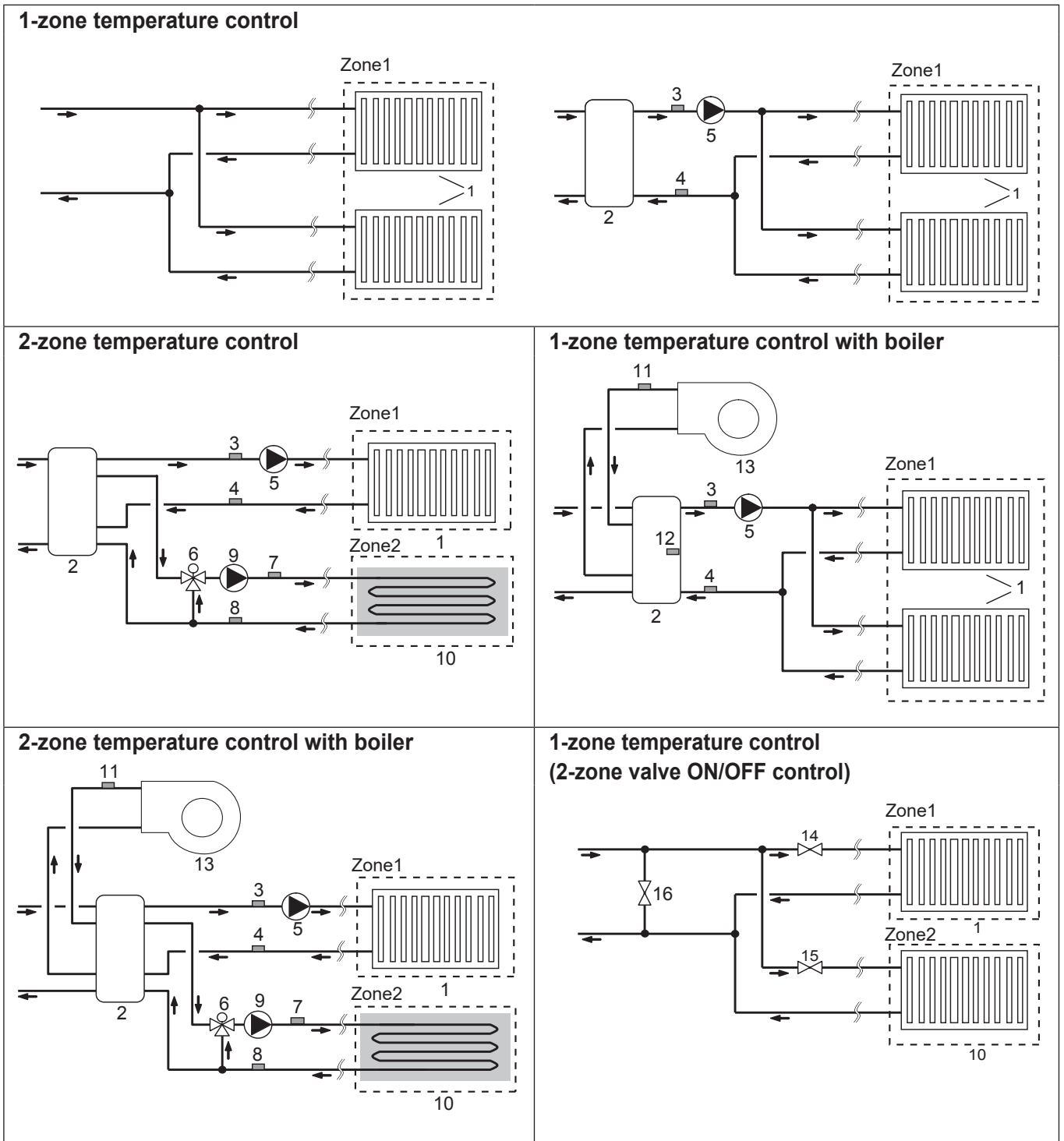
- To enable draining of water circuit an isolating valve should be positioned on both the inlet and outlet pipework. No valve should be fitted between the expansion valve (part of item 46) and the heat pump unit (safety matter).
- For space heating (primary) circuit a suitable expansion vessel MUST be supplied and fitted by installer. (See figure 7.6.4) Be sure to install a magnetic filter (item 34) on the inlet pipework to the heat pump unit.
- Suitable drain pipework should be attached to the relief valves instructed to be connected to it in Figure 7.5.2 in accordance with your country's regulations.
- When using components made from different metals or connecting pipes made of different metals insulate the joints to prevent any corrosive reaction taking place which may damage the pipework. Filling loop's flexible hose must be removed following the filling procedure. This flexible hose (Item 52) is included in PAC-WK02-E.
- Install the inlet control group (item 46) above the level of the T&P relief valve (item 22). This will ensure DHW tank will not require drain down to service/maintain the inlet control group.

Model name	EHWT17D-MHEDW
Maximum supply pressure to the pressure reducing valve	16 bar
Operating pressure (Sanitary side)	3.5 bar
Expansion vessel charge setting pressure (Sanitary side)	3.5 bar
Expansion valve setting pressure (Sanitary side)	6.0 bar
Immersion heater specification (Sanitary side) *	3000 W, 230 V
DHW tank capacity	170 L
Mass of the unit when full	345 kg
Maximum primary working pressure	2.5 bar
Maximum sanitary-side working pressure	5.5 bar
Maximum ambient loop working pressure	9.5 bar

* EN60335/Type 3000W single phase 230V 50Hz, length 460 mm. Use only Mitsubishi Electric service parts as a direct replacement.

7 Water to Water Heat Pump (WTW)

7.5.3 Local system 1



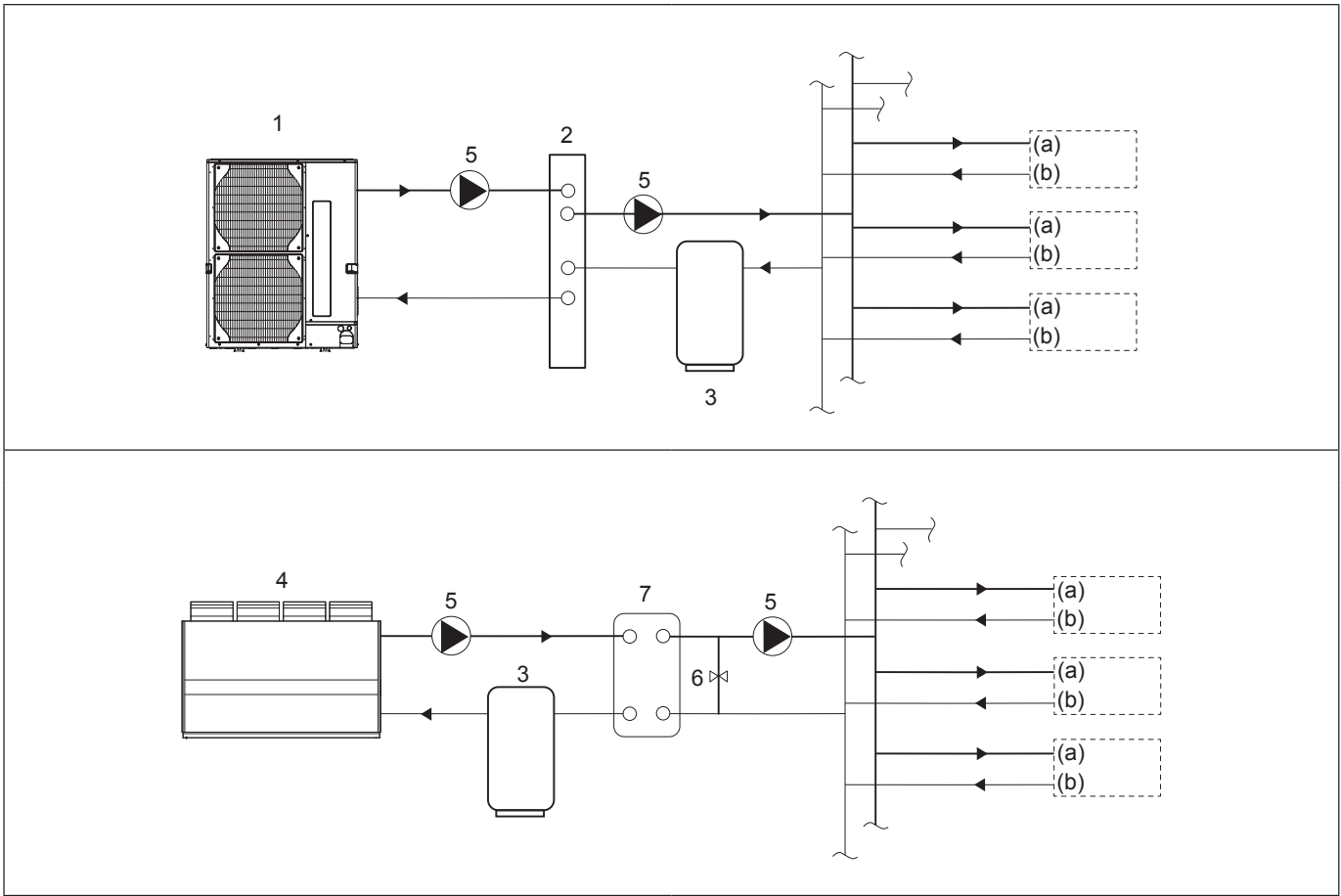
Cylinder unit/
Hydrobox/GSHP/WTW

- | | |
|--|--|
| 1. Zone1 heat emitters (e.g. radiator, fan coil unit) (local supply) | 10. Zone2 heat emitters (e.g. underfloor heating) (local supply) |
| 2. Mixing tank (local supply) | 11. Boiler flow water temp. thermistor (THWB1) } Optional part : |
| 3. Zone1 flow water temp. thermistor (THW6) } | 12. Mixing tank thermistor (THW10) } PAC-TH012HT-E |
| 4. Zone1 return water temp. thermistor (THW7) } | 13. Boiler (local supply) |
| 5. Zone1 water circulation pump (local supply) | 14. Zone1 2-way valve (local supply) |
| 6. Motorized mixing valve (local supply) | 15. Zone2 2-way valve (local supply) |
| 7. Zone2 flow water temp. thermistor (THW8) } | 16. Bypass valve (local supply) |
| 8. Zone2 return water temp. thermistor (THW9) } | |
| 9. Zone2 water circulation pump (local supply) | |

7 Water to Water Heat Pump (WTW)

7.5.4 Local system 2

Cylinder unit/
Hydrobox/GSHP/WTW



1. Air to Water Heat Pump
2. Header
3. Buffer Tank
4. Central plate Heat source / Heat pump
5. Pump
6. Valve
7. Heat exchanger

7 Water to Water Heat Pump (WTW)

7.6. Installation

<Preparation before the installation and service>

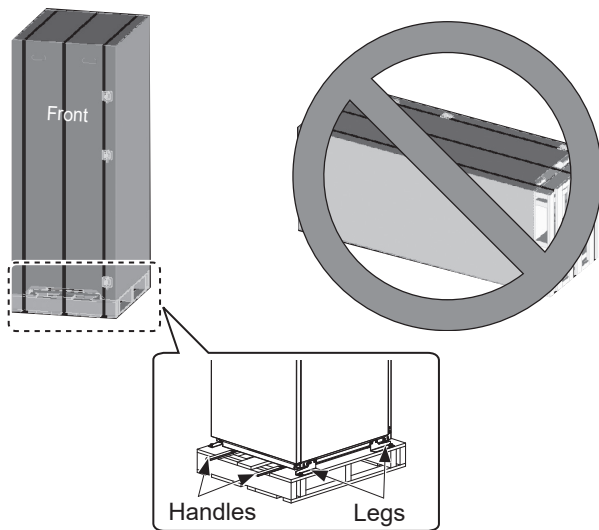
- Prepare the proper tools.
- Prepare the proper protection.
- Allow parts to cool before attempting any maintenance.
- Provide adequate ventilation.
- After stopping the operation of the system, turn off the power-supply breaker and remove the power plug.
- Discharge the capacitor before commencing work involving the electric parts.

<Precautions during service>

- Do not perform work involving electric parts with wet hands.
- Do not pour water or liquid into the electric parts.
- Do not touch the refrigerant.
- Do not touch the hot or cold surfaces in the refrigerant cycle.
- When the repair or the inspection of the circuit needs to be carried out without turning off the power, exercise great caution NOT to touch any LIVE parts.

7.6.1 Location

■ Transportation and Handling



<Figure 7.6.1>

The heat pump unit is delivered on a wooden pallet base with cardboard protection.

Care should be taken when transporting the heat pump unit that the casing is not damaged by impact. Do not remove the protective packaging until heat pump unit has reached its final location. This will help protect the structure and control panel.

- The heat pump unit can be transported **ONLY** vertically. **The maximum allowable inclination is 45°.**

Module **MUST** be separated if it can only be transported/ carried horizontally.*

<see How to remove the module>. (during installation)

- The heat pump unit should **ALWAYS** be moved by a minimum of 2 people.
- When carrying the heat pump unit use the handles provided.
- Before using the handles, make sure they are securely attached.
- **Please remove fixing legs, wooden base and any other packaging once the unit is in installation location.**

* Module removal, carrying and reassembling are installer's responsibility.

■ Suitable Location

Before installation the heat pump unit should be stored in a frost-free weatherproof location. Units must **NOT** be stacked.

- The heat pump unit should be installed indoors in a frost free weather proof location.
- The heat pump unit should be positioned on a level surface capable of supporting 'it's **FILLED** weight. (Adjustable feet (accessory parts) can be used to ensure unit is level)
- When using the adjustable feet, ensure that the floor is strong enough.
- Care should be taken that minimum distances around and in front of the unit for service access are observed <Figure 7.6.2>.
- Secure the heat pump unit to prevent it being knocked over.
- Install the heat pump unit where it is not exposed to water/ excessive moisture.

■ Service access diagrams

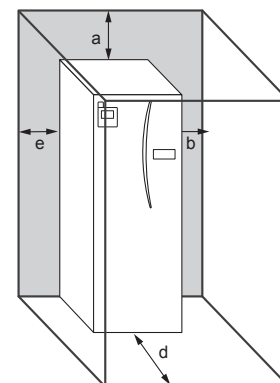
Service access	
Parameter	Dimension (mm)
a	300
b	150
c (distance behind unit not visible in Figure 7.6.2)	10
d	700**
e	150*

<Table 7.6.1>

* An additional space is required, when brine pipe connecting to the side.

** Including service space for Module removal.

Sufficient space **MUST** be left for the provision of discharge pipework as detailed in National and Local Building Regulations.



<Figure 7.6.2>
Service access

The heat pump unit must be located indoors and in a frost-free environment, for example in a utility room, to minimise heat loss from stored water.

7 Water to Water Heat Pump (WTW)

Room thermostat

If fitting a new room thermostat for this system;

- Position it out of direct sunlight and draughts
- Position it away from internal heat sources
- Position it in a room without a TRV on the radiator/heat emitter.
- Position it on an internal wall

Note:

Do not position the thermostat excessively close to the external wall.

The thermostat may detect the temperature of the wall, which could affect appropriate control of the room temperature.

- Position it approx. 1.5 m from floor level

Ambient temperature thermistor (TH7)

Please install the ambient temperature thermistor (TH7) in a place where external influences such as wind and sunlight are minimized. Please install the ambient temperature thermistor (TH7) cable in a place where people cannot touch. Run the cable inside the wall or above the ceiling when installing the ambient temperature thermistor (TH7) cable. Use a fixable wiring cover to secure the wiring from the top of the unit to the wall or ceiling.

Repositioning

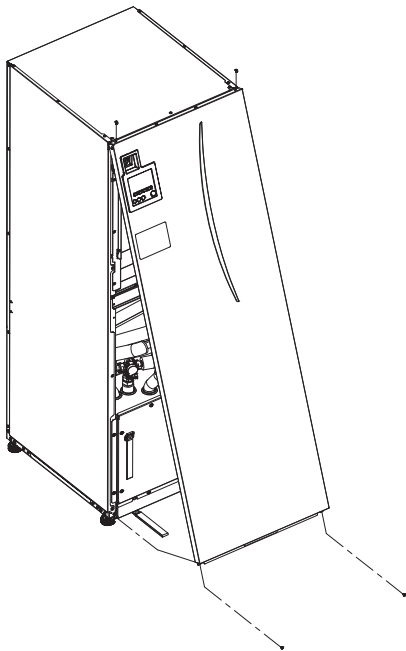
If you need to move the heat pump unit to a new position **FULLY DRAIN** the heat pump unit before moving to avoid damage to the unit. (See earlier instruction transportal handling.)

Warning

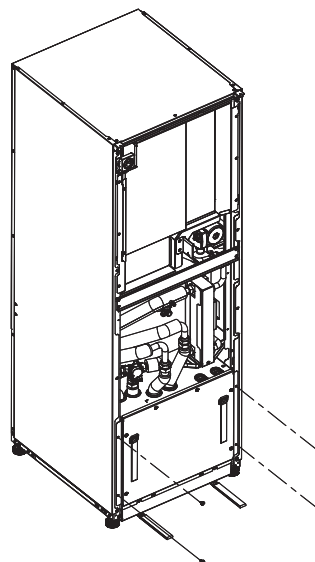
Refrigerant pipes connection shall be accessible for maintenance purposes.

How to remove the module

1. Remove the FRONT PANEL (four screws)



2. Remove the four screws that fix the MODULE FRONT and FRAME



3. CYLINDER - MODULE

<WIRE>

Remove the 7 connectors from the MODULE BOX. Remove the wires from the top of the MODULE BOX and the wire clamps on the Primary/Sanitary P-HEX.

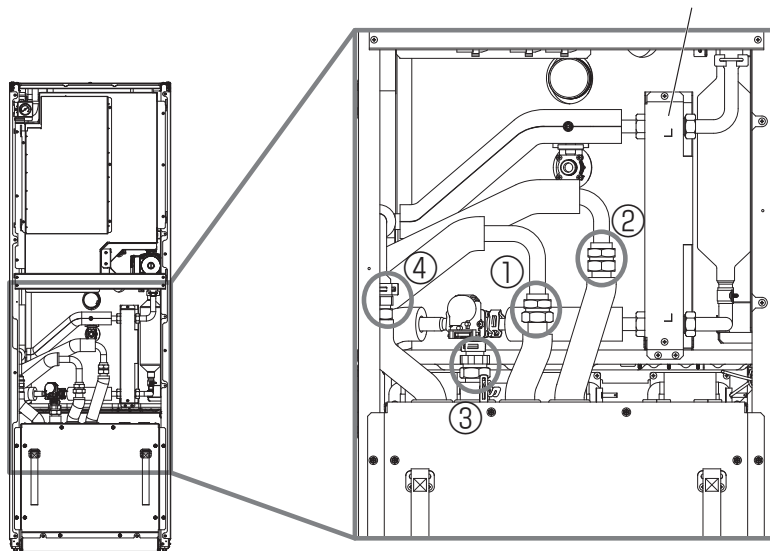
- UNIT SIDE
Put them together under the CONT BOX
- MODULE SIDE
Put them together on the MODULE BOX

<PIPE>

Remove the following four points.

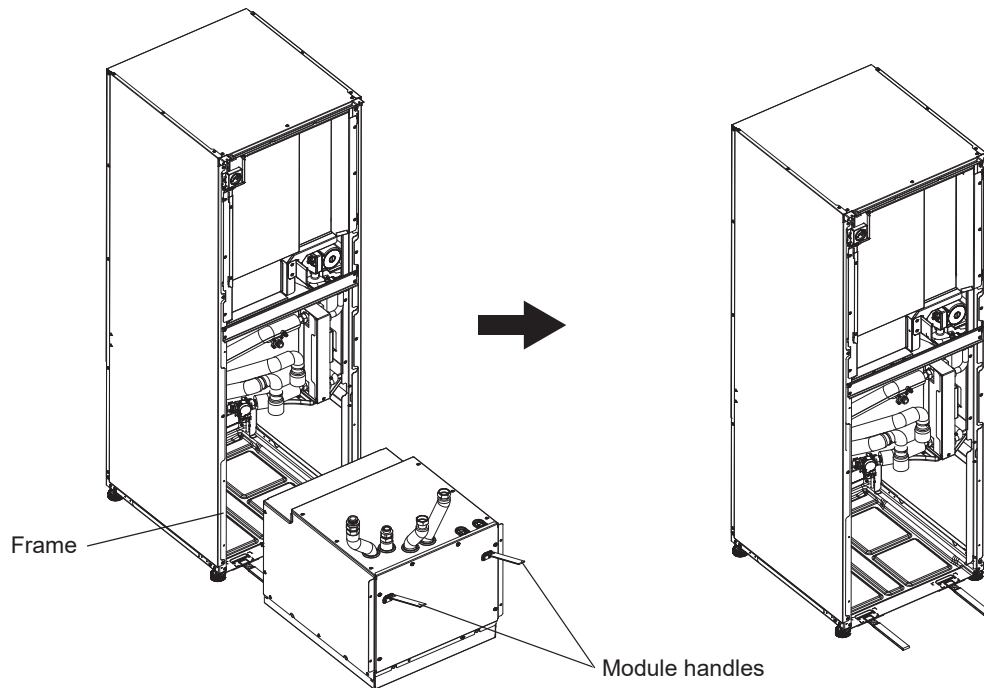
- ① Plate heat exchanger (Water/Brine - Refrigerant) IN
- ② Plate heat exchanger (Water/Brine - Refrigerant) OUT
- ③ 3 WAY VALVE - Primary flow (from MODULE)
- ④ Primary Water Pump-Water in (Return)

Primary/sanitary Plate heat exchanger
Water (Primary) - Water (Sanitary)



7 Water to Water Heat Pump (WTW)

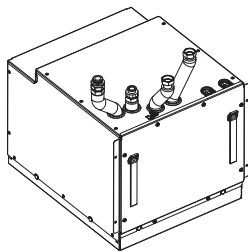
4. Pull the MODULE BOX out by using the MODULE HANDLES



5. After pulling MODULE BOX out

Fit the cap or plastic bag etc. (local supply) on flexible pipes.

Please bundle the wires during transportation and secure them with band etc. on the module.



* The module is then re-installed in reverse order.

When returning the Module unit assy to the unit, be careful not to get your hands caught between the unit and the Module unit assy. Hold the module unit assy with nylon bands (Module handles), NOT the corners of it (HAZARD).

7 Water to Water Heat Pump (WTW)

7.6.2 Water/Ambient Loop Quality and System Preparation

<Water>

■ General

- The water in both primary and sanitary circuit should be clean and with pH value of 6.5-8.0
- The followings are the maximum values;
Calcium: 100 mg/L, Ca hardness: 250 mg/L
Chloride: 100 mg/L, Copper: 0.3 mg/L
- Other constituents should be to European Directive 98/83 EC standards.
- In known hard water areas, to prevent/minimise scaling, it is beneficial to restrict the routine stored water temperature (DHW max. temp.) to 55°C.

■ Anti-Freeze

Anti-freeze solutions should use propylene glycol with a toxicity rating of Class 1 as listed in Clinical Toxicology of Commercial Products, 5th Edition.

Note:

1. Ethylene glycol is toxic and should NOT be used in the primary water circuit in case of any cross-contamination of the sanitary circuit.
2. For 2-zone valve ON/OFF control, propylene glycol should be used.

■ Installation (primary water circuit)

- Before installation heat pump unit, thoroughly cleanse pipework of building debris, solder etc using a suitable chemical cleansing agent.
- Flush the system to remove chemical cleanser.
- The responsible installer should decide if anti-freeze solution is necessary for each site's conditions. Corrosion inhibitor however should ALWAYS be used.

When using chemical cleansers and inhibitors always follow manufacturer's instructions and ensure the product is appropriate for the materials used in the water circuit.

<Ambient loop>

■ General

- The water in both primary and sanitary circuit should be clean and with pH value of 6.5-8.0
- The followings are the maximum values;
Calcium: 100 mg/L, Ca hardness: 250 mg/L
Chloride: 100 mg/L, Copper: 0.3 mg/L
- Other constituents should be to European Directive 98/83 EC standards.
- **Installer MUST** fill water or the following antifreeze solution mix when filling the ambient loop.
- The water in Ambient loop should be clean and with pH value of 6.5-8.0.
38 WT% propylene glycol
29 WT% bioethanol
25 WT% ethylene glycol

Note: DO NOT use Inorganic brine.

- Fit the local supply particle filter on the incoming pipe.
- Use the heat pump unit ONLY in a closed system for ambient loop. Using the system in an open system will lead to excessive corrosion.

■ Installation (Ambient loop)

- Before installation of heat pump unit, thoroughly cleanse pipework of building debris, solder etc using a suitable chemical cleansing agent.
- Flush the system to remove chemical cleanser.

When using chemical cleansers and inhibitors always follow manufacturer's instructions and ensure the product is appropriate for the materials used in the circuit.

■ Amount of brine required in the ambient loop

- As a measure of the brine filling amount, please make approximation of 1 L/m of collector hose length.

■ How to access Internal Components and Control and Electrical Box

<A> Opening the front panel

1. Remove the two lower screws and two upper screws.
2. Slide front panel upwards to slightly and open carefully.
3. Disconnect the relay connector connecting main remote controller cable and the control board cable.

 Accessing the back of the control and electrical box

The control and electrical box has 8 holding screws and is hinged on the right hand side.

1. Remove the 4 screws fixing the metal plate (with a warning label) in front of the electrical box, then lift the plate to remove.
2. Remove the holding screws on the control and electrical box.
3. The control and electrical box can then be swung forward on the right hand hinges.

Note:

After servicing, re-secure all cables using straps provided. Reconnect main remote controller cable to its relay connector. Replace front panel and resecure screws.

7 Water to Water Heat Pump (WTW)

7.6.3 Water Pipe Work

■ Hot Water Pipework

The heat pump unit is UNVENTED. When installing unvented hot water systems building regulations part G3 (England and Wales), P3 (Scotland) and P5 (Northern Ireland) should be adhered to. If outside of the UK please adhere to your own country's regulations for unvented hot water systems.

Connect the flow for the DHW to pipe A (Figure 7.5.1). The function of the following safety components of the heat pump unit should be checked on installation for any abnormalities;

- Pressure relief valve (Primary circuit and Tank)
- Expansion vessel pre-charge (gas charge pressure)

The instruction on the following pages regarding safe discharge of hot water from Safety devices should be followed carefully.

- The pipework will become very hot, so should be insulated to prevent burns.
- When connecting pipework, ensure that no foreign objects such as debris etc. enter the pipe work.

■ Cold Water Pipework

Cold water to the suitable standard (see section 7.6.2) should be introduced to the system by connecting pipe B (Figure 7.5.1) using appropriate fittings.

■ Negative pressure prevention

To prevent negative pressure effecting DHW tank, installer should install appropriate pipework or use appropriate devices.

■ Filling the System (Primary Circuit)

1. Check and charge expansion vessel.
2. Check all connections including factory fitted ones are tight.
3. Insulate pipework.
4. Thoroughly clean and flush, system of all debris. (see section 7.6.2 for instruction.)
5. Fill heat pump unit with sanitary water. Fill primary heating circuit with water and suitable anti-freeze and inhibitor as necessary. Always use a filling loop with double check valve when filling the primary circuit to avoid back flow contamination of water supply.

When connecting metal pipes of different materials insulate the joints to prevent a corrosive reaction taking place which will damage the pipework.

6. Check for leakages. If leakage is found, retighten the nut onto the connections.
7. Pressurise system to 1 bar.
8. Release all trapped air using air vents during and following heating period.
9. Top up with water as necessary. (If pressure is below 1 bar)

■ Pipework Connections

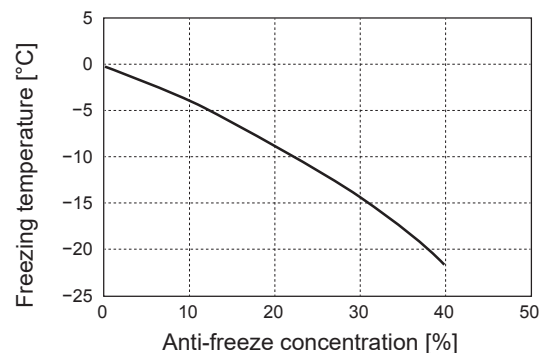
Connections to the heat pump unit should be made using the 22 mm or 28 mm compression as appropriate. When connecting DHW pipes using compression fittings, insert copper liner for DHW pipe (accessory parts) into the pipes and tighten them from 0.75 to 1.25 turns. Do not over-tighten compression fittings as this will lead to deformation of the olive ring and potential leaks.

Note:

Before brazing pipes in the field, protect pipes on the cylinder unit using wet towels etc as "heat shield".

■ Insulation of Pipework

- All exposed water pipework should be insulated to prevent unnecessary heat loss and condensation. To prevent condensate entering the heat pump unit, the pipework and connections at the top of the heat pump unit should be carefully insulated.
- Cold and hot water pipework should not be run close together where possible, to avoid unwanted heat transfer.
- Pipework should be insulated with suitable pipe insulation material with a thermal conductivity of ≤ 0.04 W/m.K.



<Figure 7.6.3>

7 Water to Water Heat Pump (WTW)

■ Sizing Expansion Vessels

Expansion vessel volume must fit the local system water volume.

To size an expansion vessel for the heating circuit the following formula and graph can be used. When the necessary expansion vessel volume exceeds the volume of an built-in expansion vessel, install an additional expansion vessel so that the sum of the volumes of the expansion vessels exceeds the necessary expansion vessel volume. For installation of the heat pump unit, the installer **MUST** provide and install a suitable primary-side expansion vessel as the model **DOES NOT** come fitted with a primary-side expansion vessel.

$$V = \frac{\epsilon \times G}{1 - \frac{P_1 + 0.098}{P_2 + 0.098}}$$

Where;

- V : Necessary expansion vessel volume [L]
- ϵ : Water expansion coefficient
- G : Total volume of water in the system [L]
- P₁ : Expansion vessel setting pressure [MPa]
- P₂ : Max. pressure during operation [MPa]

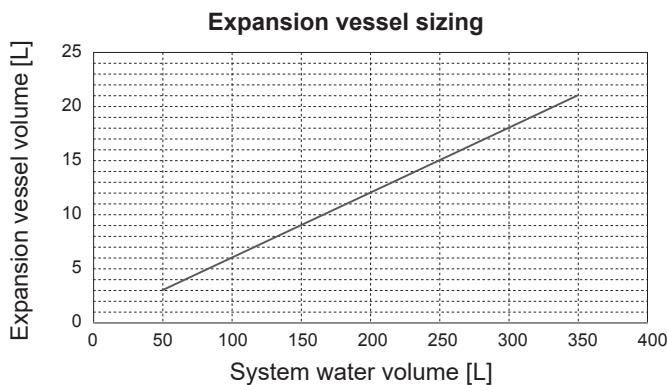
Graph to the right is for the following values

ϵ : at 70 °C = 0.0229

P₁ : 0.1 MPa

P₂ : 0.3 MPa

*A 30% safety margin has been added.



<Figure 7.6.4>

7.6.4 Water Circulation Pump Characteristics

1. Primary circuit

Pump speed can be selected by main remote controller setting (see <Figure 7.6.5>).

Adjust the pump speed setting so that the flow rate in the primary circuit is appropriate for the Table 7.6.2. It may be necessary to add an additional pump to the system depending on the length and lift of the primary circuit.

<Second pump >

If a second pump is required for the installation please read the following carefully.

If a second pump is used in the system it can be positioned in 2 ways.

The position of the pump influences which terminal of the FTC the signal cable should be wired to. If the additional pump(s) have current greater than 1A please use appropriate relay. Pump signal cable can either be wired to TBO.1 1-2 or CNP1 but NOT both.

Option 1 (Space heating only)

If the second pump is being used for the heating circuit only then the signal cable should be wired to TBO.1 terminals 3 and 4 (OUT2). In this position the pump can be run at a different speed to the heat pump unit's in-built pump.

2. Sanitary circuit

Default setting: Speed 2

DHW circulation pump **MUST** be set to speed 2.

■ Immersion heater

When an immersion heater is fitted, do NOT energise the heater until the DHW tank is full of water. Also do NOT energise any immersion heater if any sterilisation chemicals remain in the DHW tank as this will cause premature failure of the heater.

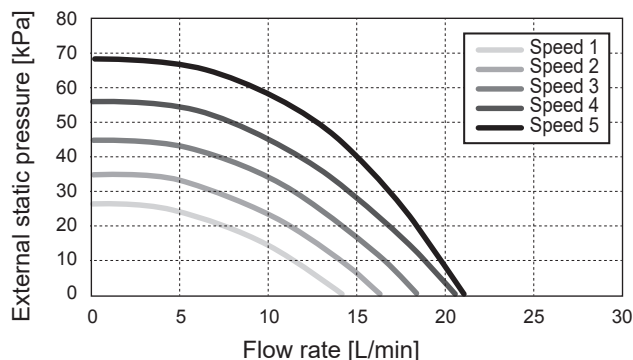
Water flow rate range [L/min]	7.1-27.7
-------------------------------	----------

<Table 7.6.2>

* If the water flow rate is less than 7.1 L/min, the flow rate error will be activated.

If the water flow rate exceeds 27.7 L/min, the flow speed will be greater than 1.5 m/s, which could erode the pipes.

Water circulation pump characteristics



<Figure 7.6.5>

7 Water to Water Heat Pump (WTW)

7.6.5 Safety Device Connections

The expansion relief valve on the secondary hot water side, and the temperature and pressure (T&P) relief valve (*A), both need appropriate discharge pipework. There must be no valve fitted between the expansion relief valve and the tank.

*A EHWT17D-MHEDW is equipped with T & P relief valve on the tank (2). Other models are equipped with Pressure relief valve, fitted to the DHW pipework (3).

Note : 1. Do not secure the screws excessively when connecting the Discharge pipe, otherwise it may result in damage to the cylinder unit.

<For UK>

The right side panel has a plate (*B) so that connection can be made to the factory fitted temperature and pressure relief valve. If you wish to make the connection in a different position you will have to cut a hole in the side panel yourself. However it remains necessary that the drainage parameters outlined in the appropriate Building Regulations are complied with.

*B Unscrew the plate on the right-side panel, connect the Pressure relief valve to the discharge pipework, and refit the plate. Always replace the plate so that no gaps exist between the plate and side panel and the plate and drain pipe to avoid heat loss.

In accordance with Building Regulations a tundish must be fitted into the pipework within 500 mm of the safety device (also see Figure 7.6.7). Due to the distance between the two safety devices it may be necessary to fit each safety device with its own tundish before you run the pipework together to a safe discharge (see Figure 7.6.6).

Note : 2. Alternatively the discharges from the expansion relief valve and T&P relief valve may commonly discharge to a singular tundish, so long as this tundish is located within 500 mm of the T&P relief valve in UK. When connecting discharge pipes to the safety devices, beware not to strain the inlet connections.

Diagram part No.	Description	Connection size	Connection type
1	Expansion relief valve (part of inlet control group)	15 mm	Compression
2	T&P relief valve	15 mm /G 1/2	Compression/ Female
3	Pressure relief valve	G 1/2	Female

<Table 7.6.3>

Always refer to local regulations when installing discharge pipework. Install discharge pipework in a frost-free environment. It is necessary to provide appropriate drainage from the pressure relief valve situated on top of the cylinder unit to prevent damage to the unit and the surrounding area from any steam or hot water released. Relief valves MUST NOT be used for any other purpose.

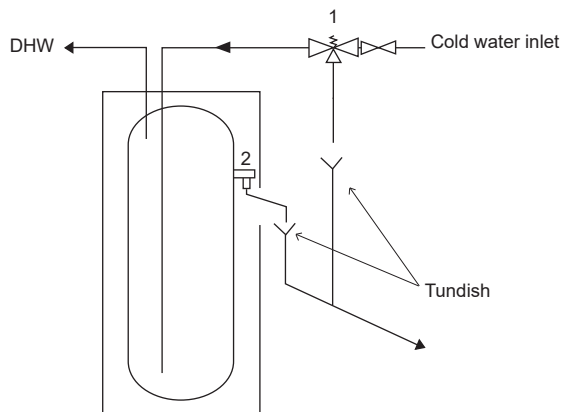
For UK use PAC-WK02UK-E kit, for other countries please see below;
 • Any discharge pipework should be capable of withstanding discharge of hot water. Discharge pipework should be installed in a continuously downward direction. Discharge pipework must be left open to the environment.

■ Piping diagram for 2-zone temperature control

Connect the pipe work and locally supplied parts according to the relevant circuit diagram shown in Section 3. Technical Information, of this manual. For more details on wiring, refer to "7.4.3 Wiring for 2-zone temperature controls".

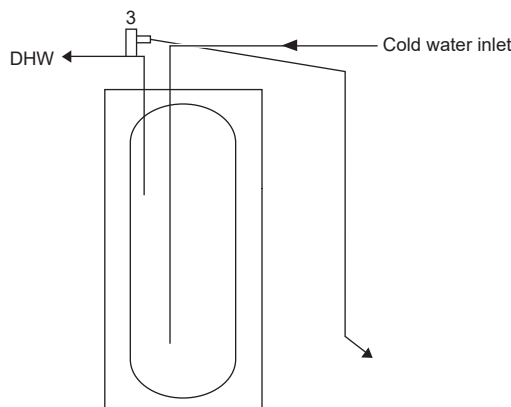
Note: Do not install the thermistors on the mixing tank. This could affect correct monitoring of flow and return temperatures through each zone. Install the Zone2 flow temp. thermistor (THW8) near the mixing valve.

<UK model> EHWT17D-MHEDW



<Other models>

The expansion vessel on the sanitary water side shall be installed as necessary in accordance with your local regulations.



<Figure 7.6.6>

7 Water to Water Heat Pump (WTW)

7.6.6 Safety Device Discharge Arrangements (G3)

The following instructions are a requirement of UK Building Regulations and must be adhered to. For other countries please refer to local legislation. If you are in any doubt please seek advice from local building planning office.

1. Position the inlet control group so that discharge from both safety valves can be joined together via a 15 mm end feed Tee.
2. Connect the tundish and route the discharge pipe as shown in Figure 7.6.7.
3. The tundish should be fitted vertically and as close to the safety device as possible and within 500 mm of the device.
4. The tundish should be visible to occupants and positioned away from electrical devices.
5. The discharge pipe (D2) from the tundish should terminate in a safe place where there is no risk to persons in the vicinity of the discharge, be of metal construction and:
 - i. Ideally below a fixed grating and above the water seal in a trapped gully.
 - ii. Downward discharges at low level; i.e. up to 100 mm above external surfaces such as car parks, hard standings, grassed areas etc. are acceptable providing that where children may play or otherwise come into contact with discharges a wire cage or similar guard is positioned to prevent contact, whilst maintaining visibility.
 - iii. Discharges at high level; e.g. into a metal hopper and metal down pipe with the end of the discharge pipe clearly visible (tundish visible or not) or onto a roof capable of withstanding high temperature discharges of water and 3 m from any plastic guttering system that would collect such discharges (tundish visible).
 - iv. Where a single pipe serves a number of discharges, such as in blocks of flats, the number served should be limited to not more than 6 systems so that any installation discharging can be traced reasonably easily. The single common discharge pipe should be at least one pipe size larger than the largest individual discharge pipe (D2) to be connected. If unvented hot water storage systems are installed where discharges from safety devices may not be apparent i.e. in dwellings occupied by blind, infirm or disabled people, consideration should be given to the installation of an electronically operated device to warn when discharge takes place.

A) Be at least one pipe size larger than the nominal outlet size of the safety device unless its total equivalent hydraulic resistance exceeds that of a straight pipe 9 m long i.e. discharge pipes between 9 m and 18 m equivalent resistance length should be at least two sizes larger than the nominal outlet size of the safety device, between 18 and 27 m at least 3 sizes larger, and so on. Bends must be taken into account in calculating the flow resistance. Refer to Figure 7.6.7, Table 7.6.4 and the worked example. An alternative approach for sizing discharge pipes would be to follow BS 6700: 1987 specification for design installation, testing and maintenance of services supplying water for domestic use within buildings and their cartilages.

B) Have a vertical section of pipe at least 300 mm long, below the tundish before any elbows or bends in the pipework.

C) Be installed with a continuous fall.

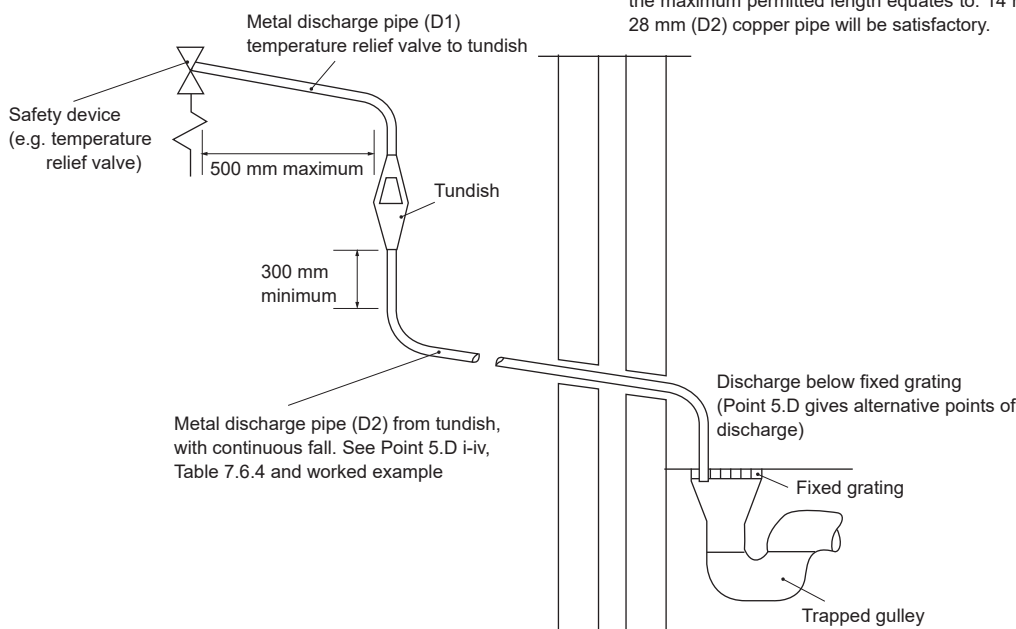
D) Have discharges visible at both the tundish and the final point of discharge but where this is not possible or is practically difficult there should be clear visibility at one or other of these locations. Examples of acceptable discharge arrangements are:

- i. Ideally below a fixed grating and above the water seal in a trapped gully.
- ii. Downward discharges at low level; i.e. up to 100 mm above external surfaces such as car parks, hard standings, grassed areas etc. are acceptable providing that where children may play or otherwise come into contact with discharges a wire cage or similar guard is positioned to prevent contact, whilst maintaining visibility.
- iii. Discharges at high level; e.g. into a metal hopper and metal down pipe with the end of the discharge pipe clearly visible (tundish visible or not) or onto a roof capable of withstanding high temperature discharges of water and 3 m from any plastic guttering system that would collect such discharges (tundish visible).
- iv. Where a single pipe serves a number of discharges, such as in blocks of flats, the number served should be limited to not more than 6 systems so that any installation discharging can be traced reasonably easily. The single common discharge pipe should be at least one pipe size larger than the largest individual discharge pipe (D2) to be connected. If unvented hot water storage systems are installed where discharges from safety devices may not be apparent i.e. in dwellings occupied by blind, infirm or disabled people, consideration should be given to the installation of an electronically operated device to warn when discharge takes place.

Note: The discharge will consist of scalding water and steam. Asphalt, roofing felt and nonmetallic rainwater goods may be damaged by such discharges.

Worked example: The example below is for a G½ temperature relief valve with a discharge pipe (D2) having 4 No. elbows and length of 7 m from the tundish to the point of discharge.

From Table 7.6.4: Maximum resistance allowed for a straight length of 22 mm copper discharge pipe (D2) from a G½ temperature relief valve is: 9.0 m subtract the resistance for 4 No. 22 mm elbows at 0.8 m each = 3.2 m. Therefore the maximum permitted length equates to: 5.8 m. 5.8 m is less than the actual length of 7 m, therefore calculate the next largest size. Maximum resistance allowed for a straight length of 28 mm pipe (D2) from a G½ temperature relief valve equates to: 18 m Subtract the resistance for 4 No. 28 mm elbows at 1.0 m each = 4 m. Therefore the maximum permitted length equates to: 14 m. As the actual length is 7 m, a 28 mm (D2) copper pipe will be satisfactory.



<Figure 7.6.7>

Valve outlet size	Minimum size of discharge pipe D1	Minimum size of discharge pipe D2 from tundish	Maximum resistance allowed, expressed as a length of straight pipe (no elbows or bends)	Resistance created by each elbow or bend
G 1/2	15 mm	22 mm	Up to 9 m	0.8 m
		28 mm	Up to 18 m	1.0 m
		35 mm	Up to 27 m	1.4 m
G 3/4	22 mm	28 mm	Up to 9 m	1.0 m
		35 mm	Up to 18 m	1.4 m
		42 mm	Up to 27 m	1.7 m
G1	28 mm	35 mm	Up to 9 m	1.4 m
		42 mm	Up to 18 m	1.7 m
		54 mm	Up to 27 m	2.3 m

<Table 7.6.4>

7 Water to Water Heat Pump (WTW)

7.6.7 Ambient Loop Pipe Work

■ Pipework Connections

Connections to the heat pump unit should be made using the 22 mm compression as appropriate.

When connecting Ambient Loop pipes using compression fittings, insert copper liner for Ambient Loop pipe (accessory parts) into the pipes and tighten them from 0.75 to 1.25 turns.

Do not over-tighten compression fittings as this will lead to deformation of the olive ring and potential leaks.

Note:

To weld the pipes in the field, cool the pipes on the heat pump unit using wet towel etc.

■ Side Connections

It is possible to angle the ambient loop connections, for connection to the side instead of top connection.

To angle out the connection:

1. Remove left side panel.
2. Cut the pipes to the desired length and angle the pipes in the desired direction.
3. Make a hole on the panel.
4. Fit the panel
5. Connect the pipes
6. Please fill in the gap between panel and ambient loop pipes with insulation

Notes:

- For side connection, the pipe diameter is 22.2 mm.
- Triangle marks on left side panel shows center of ambient loop pipes.
- Noise from heat pump can be significant.

■ Filling the System (Ambient loop)

1. Check and charge expansion vessel.
If expansion vessel is used, close the valve under the expansion vessel.
2. Check all connections including factory fitted ones are tight.
3. If you use filling pump, Connect the filling pump and return line on the ambient loop system's filler connector.
4. Insulate all exposed ambient loop pipework.
5. Thoroughly clean and flush, system of all debris. (see section 7.6.2 for instruction.)
6. Close the valve in the filler connector, open the valves on the filler connector.
7. Fill heat pump unit's ambient loop with suitable sanitary water or antifreeze solution mix.

When connecting metal pipes of different materials insulate the joints to prevent a corrosive reaction taking place which will damage the pipework.

8. Check for leakages. If leakage is found, retighten the nut onto the connections.
9. Pressurise system to atmospheric pressure. Top up with water as necessary.
10. Close the valves on the filler connector, Open the three way valve in the filler connector.
11. If expansion vessel is used, open the valve under the expansion vessel.

Ambient loop flow rate range [L/min]	7.2 - 24.0
--------------------------------------	------------

If the water or brine flow rate is less than 7.2 L/min, the flow rate error will be activated.

■ Sizing Expansion Vessels

Expansion vessel volume must fit the local system water or brine volume. Refer to the 7.6.3 water pipe work for details

■ How to install PICV (Pressure Independent Control Valve)

PICV should be installed on the Ambient loop pipe in order to balance water or brine in Ambient loop.

■ Insulation of Pipework

- All exposed ambient loop pipework should be insulated to prevent unnecessary heat loss and condensation. To prevent condensate entering the heat pump unit, the pipework and connections at the top of the heat pump unit should be carefully insulated.
- Ambient loop inlet and outlet pipework should not be run close together where possible, to avoid unwanted heat transfer.
- Pipework between Local System2 and heat pump unit should be insulated with suitable pipe insulation material with a thermal conductivity of ≤ 0.04 W/m.K.

7 Water to Water Heat Pump (WTW)

7.7 System Set Up

7.7.1 Main remote Controller Options

The heat pump unit comes factory fitted with a main remote controller. This incorporates a thermistor for temperature monitoring and a graphical user interface to enable set-up, view current status and input scheduling functions. The main remote controller is also used for servicing purposes. This facility is accessed via password protected service menus.

To provide the best efficiency Mitsubishi Electric recommends using automatic adaptation function based on room temperature. To use this function a room thermistor needs to be present in a main living area. This can be done in a number of ways the most convenient are detailed below.

Refer to heating section of this manual for instructions on how to set compensation curve, Flow temp. or Room temp. (Auto adaptation).

For instructions on how to set the thermistor input for the FTC please refer to Initial settings section.

The factory setting for space heating mode is pre-set to Room temp. mode (auto adaptation). If there is no room sensor present in the system, this setting must be changed to either Compensation curve mode or Flow temp. mode.

7 Water to Water Heat Pump (WTW)

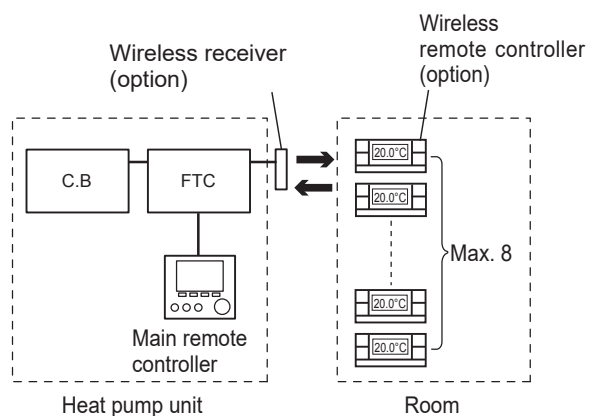
■ 1-zone temperature control

Control option A

This option features the main remote controller and the Mitsubishi Electric wireless remote controller. The wireless remote controller is used to monitor room temperature and can be used to make changes to the space heating settings, boost DHW and switch to holiday mode without having to directly use the main remote controller.

If more than one wireless remote controller is used, the most recently requested temperature setting will commonly be applied to all rooms by the central control system regardless of which wireless remote controller was used. No hierarchy exists across these remote controllers.

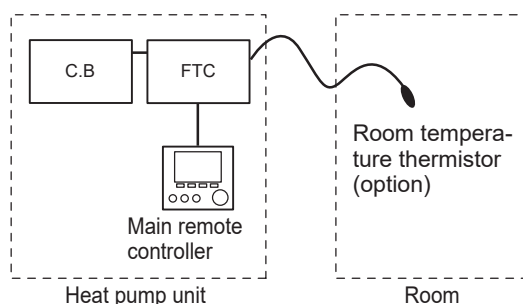
Wire the wireless receiver to FTC referring to the wireless remote controller instruction manual. **Turn DIP SW1-8 to ON.** Before operation configure the wireless remote controller to transmit and receive data referring to the wireless remote controller installation manual.



Control option B

This option features the main remote controller and the Mitsubishi Electric thermistor wired to FTC. The thermistor is used to monitor room temperature but can not make any changes in control operation. Any changes to DHW must be made using the main remote controller mounted on the heat pump unit.

Wire the thermistor to the TH1 connector on FTC. The number of room temperature thermistors that can be connected to FTC is always one.



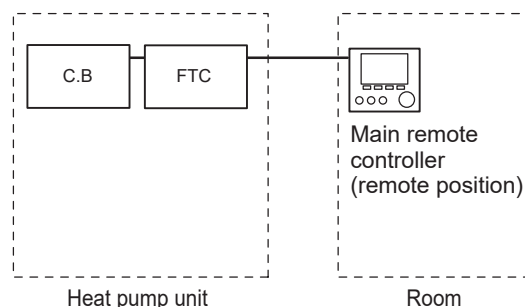
Control option C

This option features the main remote controller being removed from the heat pump unit and situated in a different room. A thermistor built in the main remote controller can be used for monitoring the room temperature for Auto Adaptation function whilst keeping all its features of the main remote controller available.

The main remote controller and FTC are connected by a 2-core, 0.3 mm², non-polar cable (local supply) with a maximum length of 500 m.

To use the sensor in the main remote controller the main remote controller should come off from the heat pump unit. Otherwise it will detect the temperature of the heat pump unit instead of room temperature. This will affect the output of the space heating.

Note: Wiring for main remote controller cable shall be (5 cm or more) apart from power source wiring so that it is not influenced by electrical noise from power source wiring. (Do NOT insert main remote controller cable and power source wiring in the same conduit.)

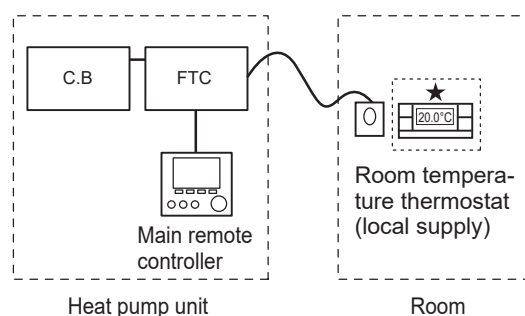


Control option D

This option features the main remote controller and a locally supplied thermostat wired to FTC. The thermostat is used to set the maximum temperature for heating room. Any changes to DHW must be made using main remote controller mounted on the heat pump unit.

The thermostat is wired to IN1 in TBI.1 on FTC. The number of thermostats that can be connected to FTC is always one.

★ The wireless remote controller can be also used as a thermostat.



7 Water to Water Heat Pump (WTW)

2-zone temperature control

Control option A

This option features the main remote controller, the Mitsubishi Electric wireless remote controller and a locally supplied thermostat. The wireless remote controller is used to monitor the Zone1 room temperature and the thermostat is used to monitor the Zone2 room temperature.

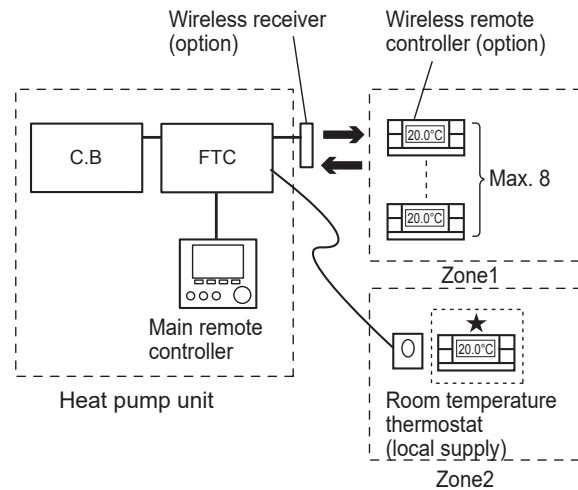
The thermostat can be also allocated to Zone1 and the wireless remote controller to Zone2.

The wireless remote controller can be also used to make changes to the space heating settings, boost DHW and switch to holiday mode without having to use the main remote controller.

If more than one wireless remote controller is used, the last temperature setting adjustment/demand will be applied to ALL rooms in same zone.

Wire the wireless receiver to FTC referring to the wireless remote controller instruction manual. Turn DIP SW1-8 to ON. Before operation configure the wireless remote controller to transmit and receive data referring to the wireless remote controller installation manual. The thermostat is used to set the maximum temperature for heating Zone2 room.

The thermostat is wired to IN6 on FTC. (If the thermostat is allocated to Zone1, it is wired to IN1 on TBI.1.) (Refer to 7.4.2.)



Zone1: Room temp. control (Auto adaptation)
 Zone2: Compensation curve or flow temp. control

Control option B

This option features the main remote controller, the Mitsubishi Electric thermistor and a locally supplied thermostat that are wired to FTC. The thermistor is used to monitor the Zone1 room temperature and the thermostat is used to control the Zone2 room temperature.

The thermostat can be also allocated to Zone1 and the thermistor to Zone2.

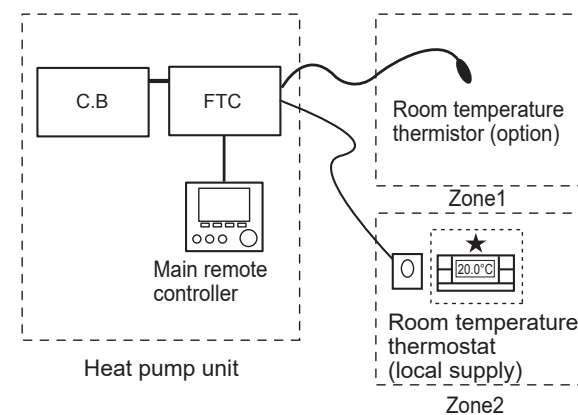
The thermistor can not make any changes in control operation. Any changes to DHW must be made using the main remote controller mounted on the heat pump unit.

Wire the thermistor to the TH1 connector on FTC.

The number of room temperature thermistors that can be connected to FTC is always one.

The thermostat is used to set the maximum temperature for heating Zone2 room.

The thermostat is wired to IN6 on FTC. (If the thermostat is allocated to Zone1, wire it to IN1 on TBI.1.) (Refer to 7.4.2.)



Zone1: Room temp. control (Auto adaptation)
 Zone2: Compensation curve or flow temp. control

7 Water to Water Heat Pump (WTW)

Control option C

This option features the main remote controller (with in-built thermistor) that is removed from the heat pump unit to monitor the Zone1 room temperature and a locally supplied thermostat to monitor the Zone2 room temperature.

The thermostat can be also allocated to Zone1 and the thermistor to Zone2.

A thermistor built into the main remote controller can be used for monitoring the room temperature for Auto Adaptation function whilst keeping all its features of the main remote controller available.

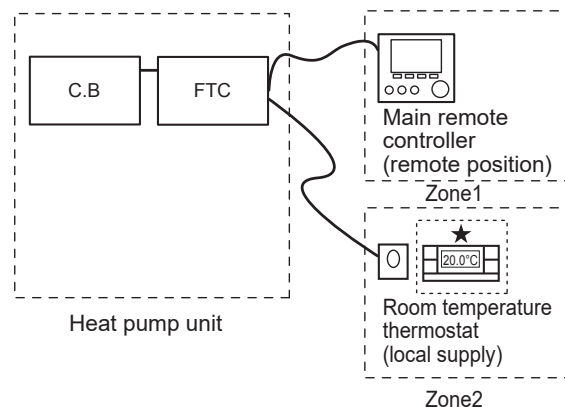
The main remote controller and FTC are connected by a 2-core, 0.3 mm², non-polar cable (local supply) with a maximum length of 500 m. To use the sensor in the main remote controller the main remote controller should be detached from the heat pump unit. Otherwise it will detect the temperature of the heat pump unit instead of room temperature. This will affect the output of the space heating.

The thermostat is used to set the maximum temperature for heating Zone2 room.

The thermostat is wired to IN6 on FTC. (If the thermostat is allocated to Zone1, wire it to external input IN1 on TBI.1.) (Refer to 7.4.2.)

Note:

Wiring for main remote controller cable shall be (5 cm or more) apart from power source wiring so that it is not influenced by electrical noise from power source wiring. (Do NOT insert main remote controller cable and power source wiring in the same conduit.)



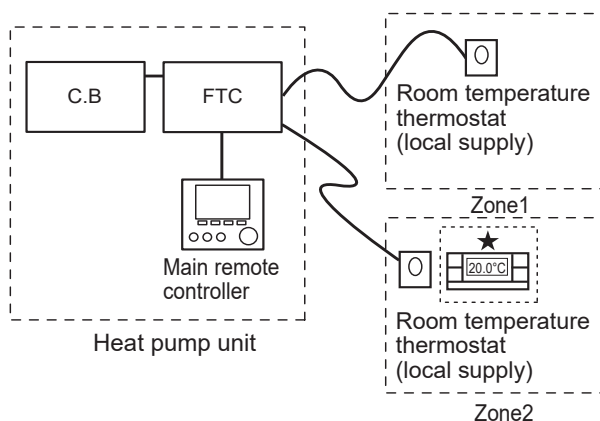
Zone1: Room temp. control (Auto adaptation)
Zone2: Compensation curve or flow temp. control

Control option D

This option features the locally supplied thermostats wired to FTC. The thermostats are individually allocated to Zone1 and Zone2. The thermostats are used to set each maximum temperature for heating Zone1 and Zone2 rooms. Any changes to DHW must be made using the main remote controller mounted on the heat pump unit.

The thermostat for Zone1 is wired to IN1 in TBI.1 on FTC.

The thermostat for Zone2 is wired to IN6 in TBI.1 on FTC.



Zone1, Zone2: Compensation curve or flow temp. control

Note: For the options above, the sensor types can be exchanged between Zone1 and Zone2.

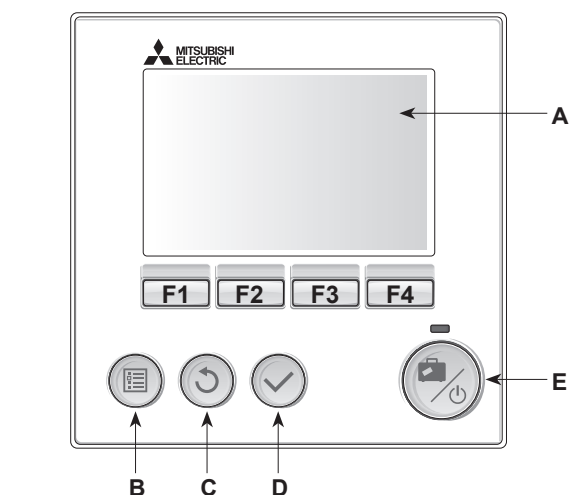
(e.g. Wireless remote controller in Zone1 and Room temp. thermostat in Zone2 can be changed to Room temp. thermostat and wireless remote controller, respectively).

★ The wireless remote controller can be also used as a thermostat.

7 Water to Water Heat Pump (WTW)

7.7.2 Main remote controller

Cylinder unit/
Hydrobox/GSHP/WTW



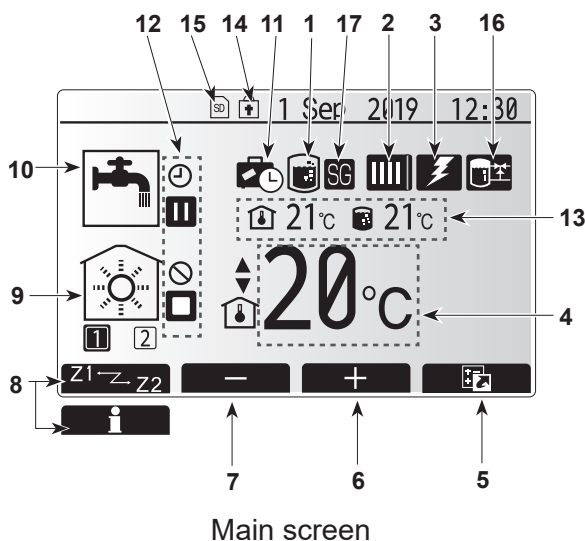
<Main remote controller parts>

Letter	Name	Function
A	Screen	Screen in which all information is displayed.
B	Menu	Access to system settings for initial set up and modifications.
C	Back	Return to previous menu.
D	Confirm	Used to select or save. (Enter key)
E	Power/ Holiday	If system is switched off pressing once will turn system on. Pressing again when system is switched on will enable Holiday Mode. Holding the button down for 3 seconds will turn the system off. (*1)
F1-4	Function keys	Used to scroll through menu and adjust settings. Function is determined by the menu screen visible on screen A.

*1

When the system is switched off or the power supply is disconnected, the heat pump unit protection functions (e.g. freeze stat. function) will NOT operate. Please beware that without these safety functions enabled the heat pump unit may potentially become exposed to damage.

<Main screen icons>



Icon	Description
1 Legionella prevention	When this icon is displayed 'Legionella prevention mode' is active.
2 Heat pump	'Heat pump' is running. Emergency heating 'Quiet mode' is activated.
3 Electric heater	When this icon is displayed the 'Electric heaters' (booster or immersion heater) are in use.
4 Target temperature	Target flow temperature Target room temperature Compensation curve
5 OPTION	Pressing the function button below this icon will display the option screen.
6 +	Increase desired temperature.
7 -	Decrease desired temperature.
8 Z1-Z2	Pressing the function button below this icon switches between Zone1 and Zone2.
Information	Pressing the function button below this icon displays the information screen.
9 Space heating mode	Heating mode Zone1 or Zone2
10 DHW mode	Normal or Eco mode
11 Holiday mode	When this icon is displayed 'Holiday mode' activated.
12	Timer Prohibited Server control Stand-by Stop Operating
13 Current temperature	Current room temperature Current water temperature of DHW tank
14	The Menu button is locked or the switching of the operation modes between DHW and Heating operations are disabled in the Option screen. (*2)
15	SD memory card is inserted. Normal operation. SD memory card is inserted. Abnormal operation.
16 Buffer tank control	When this icon is displayed, 'Buffer tank control' is active.
17 Smart grid ready	When this icon is displayed, 'Smart grid ready' is active.

*2 To lock or unlock the Menu, press the BACK and CONFIRM keys simultaneously for 3 seconds.

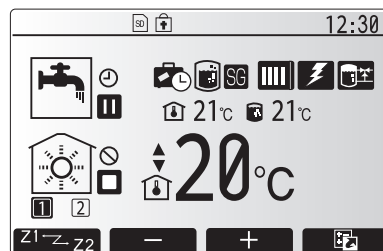
7 Water to Water Heat Pump (WTW)

■ General Operation

In general operation the screen displayed on the main remote controller will be shown as in the figure on the right.

This screen shows the target temperature, space heating mode, DHW mode, any additional heat sources being used, holiday mode, and the date and time.

You should use the function buttons to access more information. When this screen is displayed pressing F1 will display the current status and pressing F4 will take the user to the option menu screen.



Home screen

<Option screen>

This screen shows the main operating modes of the system. Use function buttons to switch between Operating (▶), Prohibited (⊘) and Timer (⌚) for DHW and space heating, or detailed information on energy or capacity.

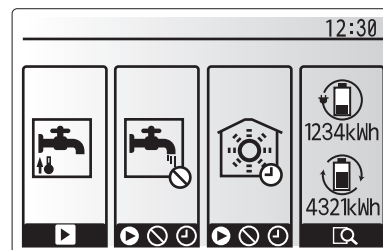
The option screen allows quick setting of the following;

- Forced DHW — to turn ON/OFF press F1
- DHW operating mode — to change mode press F2
- Space heating operating mode — to change mode press F3
- Energy monitor

Following accumulated energy values are displayed.

- ⊕ : Consumed electrical energy in total (month-to-date)
- ⊖ : Delivered heat energy in total (month-to-date)

To monitor the energy values in each operation mode for [month-to-date/ last month/ the month before last/ year-to-date/ last year], press F4 to access to the Energy monitor menu.



Option screen

Note:

If a certain accuracy is required for the monitoring, the method to display captured data from external energy meter(s) should be set up. Contact your installer for further details.

■ Initial settings wizard

When the main remote controller is switched on for the first time, the screen automatically goes to Language setting screen, Date/Time setting screen and Main settings menu screen in order. Enter the desired number using the function keys and press CONFIRM.

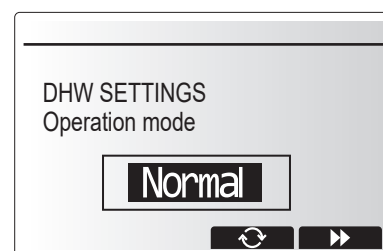
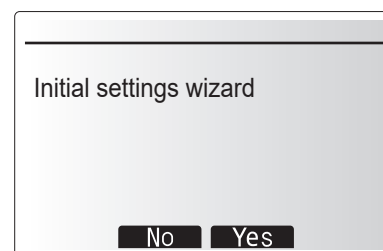
Note:

<HEATER CAPACITY RESTRICTION>

This setting restricts the capacity of booster heater (if fitted). It is NOT possible to change the setting after starting up. If you do not have any special requirements (such as building regulations) in your country, skip this setting (select "No").

- Hot water (DHW/Legionella)
- Heating
- Operation mode (ON/Prohibited/Timer)
- Pump speed
- Heat pump flow rate range
- Mixing valve control
- HEATER CAPACITY RESTRICTION

*1 The screen goes to the next setting screen. Changes have not been saved.



7 Water to Water Heat Pump (WTW)

■ Main Settings Menu

The main settings menu can be accessed by pressing the MENU button. To reduce the risk of untrained end users altering the settings accidentally there are two access levels to the main settings; and the service section menu is password protected.

User Level – Short press

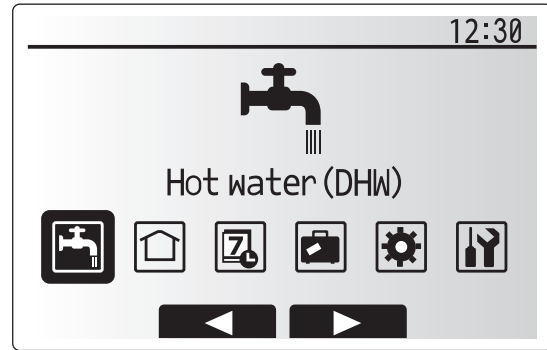
If the MENU button is pressed once for a short time the main settings will be displayed but without the edit function. This will enable the user to view current settings but **NOT** change the parameters.

Installer Level – Long press

If the MENU button is pressed down for 3 seconds the main settings will be displayed with all functionality available. The colour of ◀▶ buttons is inverted, as per right figure.

The following items can be viewed and/or edited (dependent on access level).

- Domestic Hot water (DHW)
- Heating
- Schedule timer
- Holiday mode
- Initial settings
- Service (Password protected)



Main menu



⚙ Initial Settings

1. From the main settings menu use F2 and F3 buttons to highlight 'Initial settings' icon and select by pressing CONFIRM.
2. Use F1 and F2 buttons to scroll through the menu list. When the required title is highlighted then press CONFIRM to edit.
3. Use the relevant function buttons to edit each initial setting then press CONFIRM to save the setting.

Initial settings that can be edited are

- Date/Time *Be sure to set it to the local standard time.
- Language
- Summer time
- Temp. display
- Contact number
- Time display
- °C/°F
- Room sensor settings

To return to the main settings menu press the BACK button.

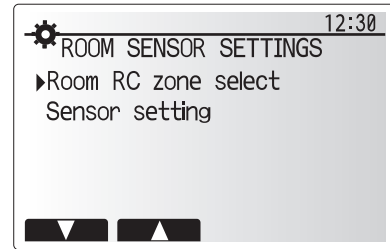
Icon	Description
	Hot water (DHW)
	Heating
	Schedule timer
	Holiday mode
	Initial settings
	Service

7 Water to Water Heat Pump (WTW)

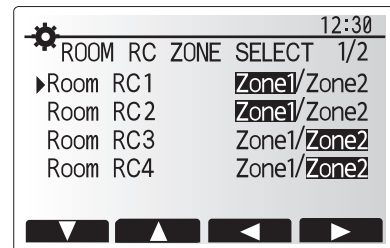
<Room sensor settings>

For room sensor settings it is important to choose the correct room sensor depending on the heating mode the system will operate in.

1. From the Initial settings menu select Room sensor settings.



2. When 2-zone temperature control is active and wireless remote controllers are available, from Room RC zone select screen, select zone No. to assign to each remote controller.



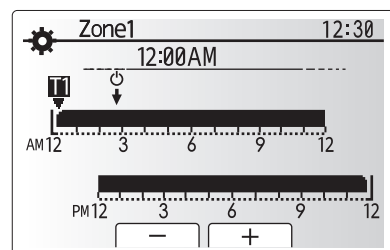
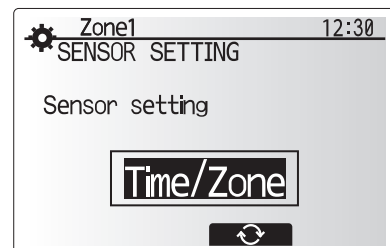
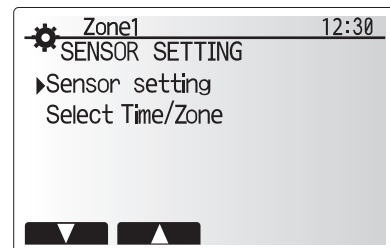
3. From Sensor setting screen, select a room sensor to be used for monitoring the room temperature from Zone1 and Zone2 separately.

Control option ("Remote Controller Options")	Corresponding initial settings room sensor	
	Zone1	Zone2
A	Room RC1-8 (one each for Zone1 and Zone2)	*
B	TH1	*
C	Main remote controller	*
D	*	*

* Not specified (if a field-supplied room thermostat is used)

Room RC1-8 (one each for Zone1 and Zone2) (if a wireless remote controller is used as a room thermostat)

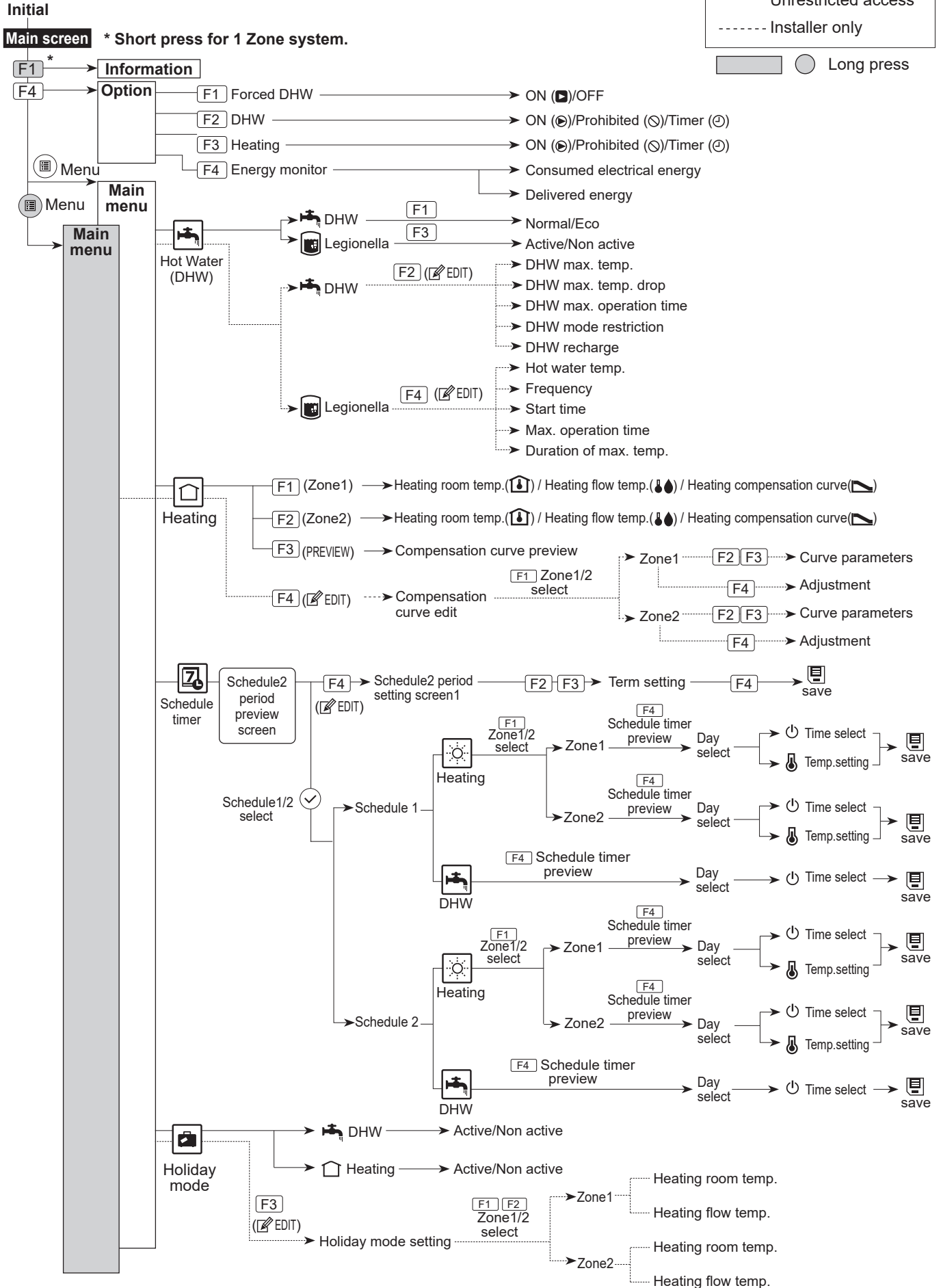
4. From Sensor setting screen, select Time/Zone to make it possible to use different room sensors according to the time schedule set in the Select Time/Zone menu. The room sensors can be switched up to 4 times within 24 hours.



Time/Zone schedule setting screen

7 Water to Water Heat Pump (WTW)

<Main Remote Controller Menu Tree>



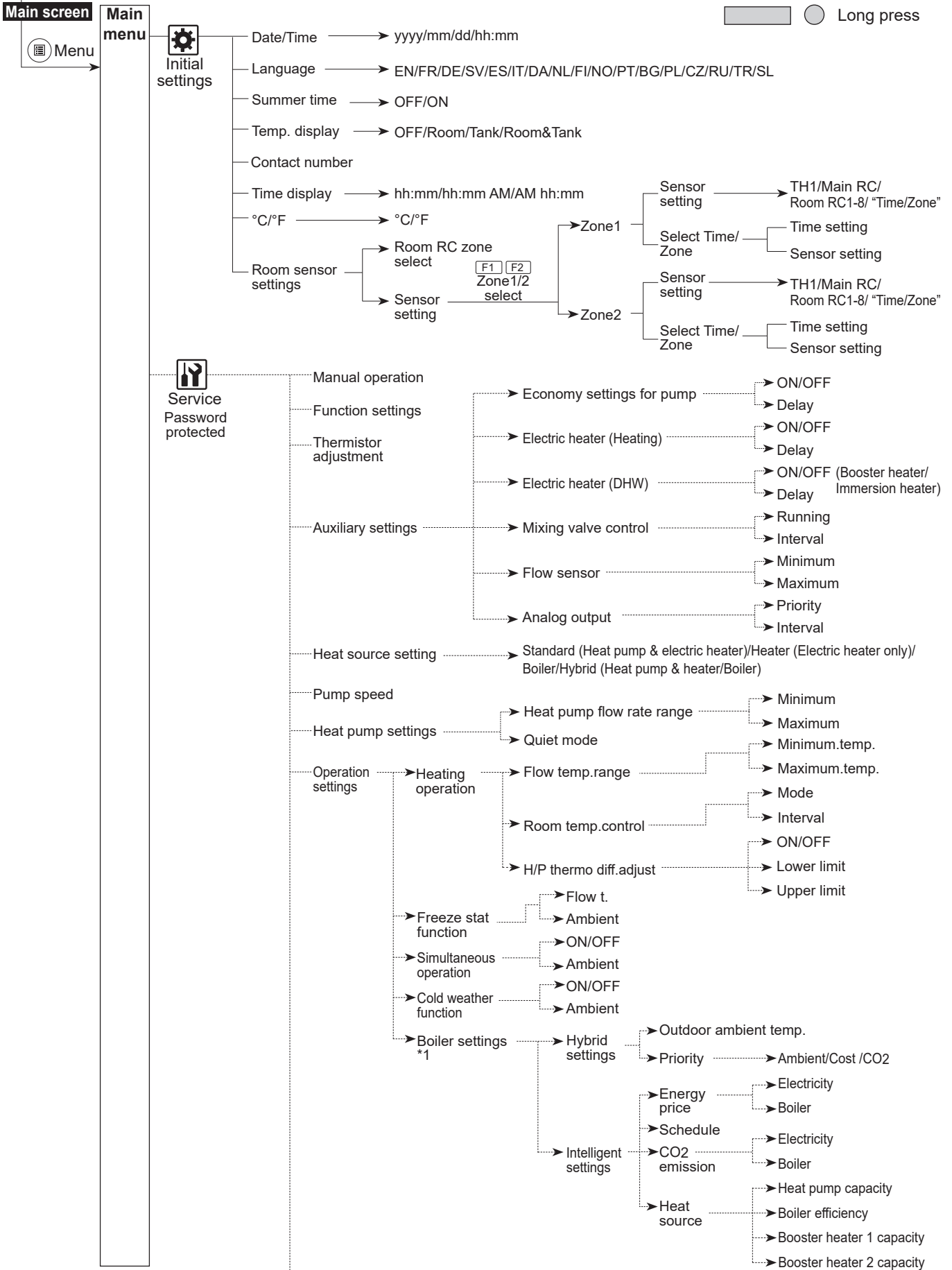
<Continued to next page.>

7 Water to Water Heat Pump (WTW)

<Continued from the previous page.>

<Main Remote Controller Menu Tree>

Initial



Cylinder unit/
Hydrobox/GSHP/WTW

*1 For more details, refer to the installation manual of PAC-TH012HT-E.

7 Water to Water Heat Pump (WTW)

<Continued from the previous page.>

<Main Remote Controller Menu Tree>

Initial

Main screen



Service
Password protected

Operation settings

Smart grid ready

DHW

ON/OFF

Target temp.

Heating

ON/OFF

Target temp.

Pump cycles

ON/OFF(Heating)

Interval

Floor dry up function
(For more details, refer to Page B-263.)

F1

ON/OFF

F4

Start & Finish

Max. temp.

Max. temp. period

Flow temp. (Increase)

Temp. increase step

Increase interval

Flow temp. (Decrease)

Temp. decrease step

Decrease interval

Summer mode

Summer mode

ON/OFF

Ambient temp.

Ambient(Heating ON)

Ambient(Heating OFF)

Judgement time

Time(Heating ON)

Time(Heating OFF)

Forced heating ON

Ambient

Water flow control

ON/OFF

Energy monitor settings

Electric heater capacity

Booster heater 1 capacity*

Water pump input

Booster heater 2 capacity*

Delivered energy adjustment

Immersion heater

Electric energy meter

Analog output

Heat meter

Pump 1

Pump 2

Pump 3

Pump 4

External input settings

Demand control (IN4)

OFF (Heat source)/Boiler

Outdoor thermostat (IN5)

Heater/Boiler

Thermo ON output

Zone1/Zone2/Zone1&2

Commissioning wizard

Running information

Thermistor reading

Summary of settings

Error history

Password protection

Main controller

Yes/No

Manual reset

FTC

Yes/No

SD card

SD → Main RC

F1

F2

F3

Select download data

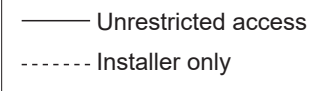
Main RC → SD

F1

F2

F3

Select upload data



Long press

* if fitted

Cylinder unit/
Hydrobox/GSHP/WTW

7 Water to Water Heat Pump (WTW)

Domestic Hot Water (DHW)/Legionella Prevention

The domestic hot water and legionella prevention menus control the operation of DHW tank heat ups.

<DHW mode settings>

1. Highlight the hot water icon and press CONFIRM.
2. Use button F1 to switch between Normal and Eco heating modes.
3. To edit the mode, press down the MENU button for 3 seconds, then select "hot water".
4. Press F2 key to display the HOT WATER (DHW) SETTING menu.
5. Use F2 and F3 keys to scroll through the menu selecting each component in turn by pressing CONFIRM. See the table below for description of each setting.
6. Enter the desired number using the function keys and press CONFIRM.



Menu subtitle	Function	Range	Unit	Default value
DHW max. temp.	Desired temperature of stored hot water	40 - 60	°C	50
DHW max. temp. drop	Difference in temperature between DHW max. temp. and the temperature at which DHW mode restarts	5 - 30	°C	10
DHW max. operation time	Max. time allowed for stored water heating DHW mode	30 - 120	min	60
DHW mode restriction	The time period after DHW mode when space heating has priority over DHW mode temporarily preventing further stored water heating (Only when DHW max. operation time has passed.)	30 - 120	min	30

* When the DHW max. temp is set over 55°C, the temperature at which DHW mode restarts must be less than 50°C to protect the device.

Explanation of DHW operation

- When the DHW tank temperature drops from "DHW max. temp." by more than the "DHW max. temp. drop" (set by installer), DHW mode operates and the flow from the primary heating circuit is diverted to heat the water in the DHW tank.
- When the temperature of the stored water reaches the 'DHW max. temp.' set by the installer or if the 'DHW max. operation time' set by the installer is exceeded DHW mode ceases to operate.
- Whilst DHW mode is in operation primary hot water is not directed to the space heating circuit.
- Directly after DHW max. operation time 'DHW mode restriction' will routinely operate. The duration of this feature is set by the installer and during its operation, DHW mode can not (normally) be reactivated, allowing time for the system to deliver primary hot water to the space heating if required. However, if at this time there is no current demand for space heating, the system will automatically resume DHW mode. This will continue until it receives a demand for space heating.
- After the 'DHW mode restriction' operation the DHW mode can operate again and DHW tank heating will continue according to system demand.

<Eco mode>

DHW mode can run in either 'Normal' or 'Eco' mode. Normal mode will heat the water in the DHW tank more quickly using the full power of the heat pump. Eco mode takes a little longer to heat the water in the DHW tank but the energy used is reduced. This is because heat pump operation is restricted using signals from the FTC based on measured DHW tank temperature.

Note: The actual energy saved in Eco mode will vary according to underground temperature.

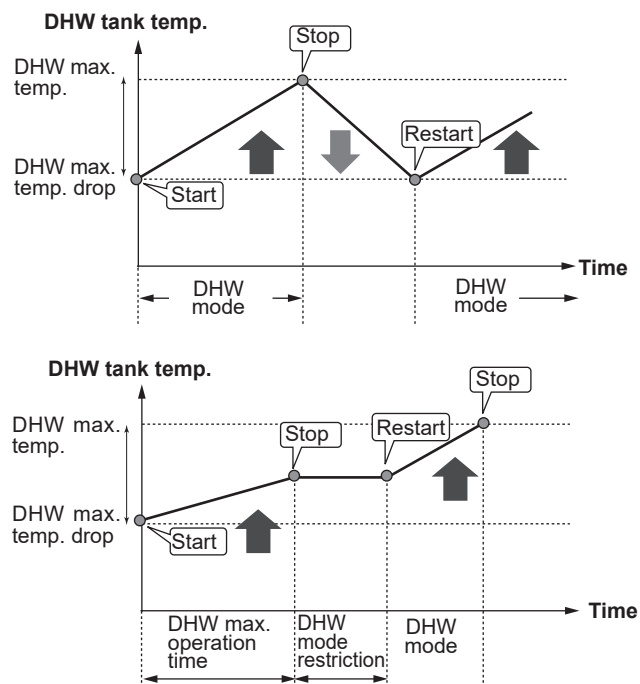
<DHW recharge>

Select the amount of DHW. If you need much hot water, select LARGE.

Return to the DHW/legionella prevention menu.

Note:

However, Large mode raises boiling-up frequency, resulting in increase in power consumption.



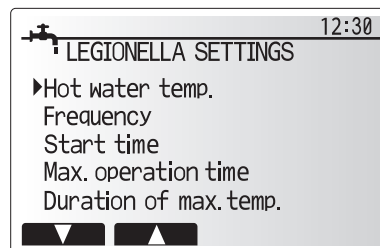
Forced DHW

The forced DHW function is used to force the system to operate in DHW mode. In normal operation the water in the DHW tank will be heated either to the target temperature or for the maximum DHW time, whichever occurs first. However should there be a high demand for hot water 'Forced DHW' function can be used to prevent the system from routinely switching to space heating and continue to provide DHW tank heating. Forced DHW operation is activated by pressing button F1 and Back button in the 'Option Screen'. After DHW operation finishes, the system will automatically return to normal operation. To cancel forced DHW operation hold down button F1 in the 'Option Screen'.

7 Water to Water Heat Pump (WTW)

Legionella Prevention Mode settings (LP mode)

1. Use button F3 to choose legionella mode active YES/NO.
2. To edit the legionella function, press down the MENU button for 3 seconds and select "hot water", then press F4 key.
3. Use F1 and F2 keys to scroll through the menu selecting each subtitle in turn by pressing CONFIRM. See the table below for description of each setting.
4. Enter the desired number using the function keys and press CONFIRM.



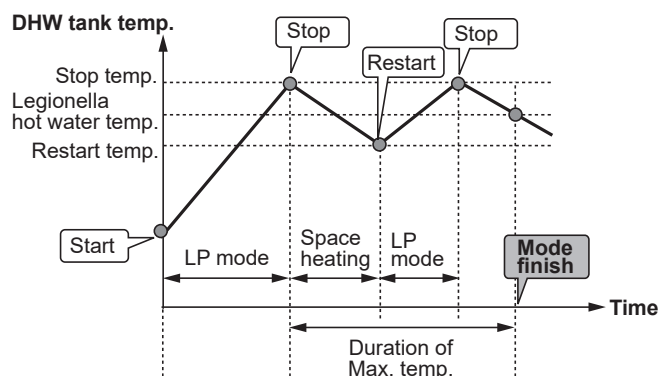
During Legionella Prevention Mode the temperature of the stored water is increased above 60°C to inhibit legionella bacterium growth. It is strongly recommended that this is done at regular intervals. Please check local regulations for the recommended frequency of heat ups.

Menu subtitle	Function	Range	Unit	Default value
Hot water temp.	Desired temp of stored hot water	60–70	°C	65
Frequency	Time between LP mode DHW tank heat ups	1–30	day	15
Start time	Time when LP mode will begin	0:00–23:00	-	03:00
Max. operation time	Maximum time allowed for LP mode DHW tank heat	1–5	hour	3
Duration of max. temp.	The time period after LP mode max. water temp. has been reached	1–120	min	30

If you wish to make changes contact installer.

Explanation of Legionella Prevention Mode operation

- At the time entered by the installer 'Start time' flow of useful heat from the system is diverted to heat the water in the DHW tank.
- When the temperature of the stored water exceeds the 'Hot Water temp.' set by the installer (above 65°C) primary circuit water is no longer diverted to heat the DHW tank.
- Whilst LP mode is in operation hot water is not directed to the space heating circuit.
- Directly after LP mode operation 'Duration of max. temp.' will operate. The duration of this feature is set by the installer and during its operation stored water temperature will be monitored.
- If stored water temperature should drop to LP restart temp., LP mode will restart and primary water flow from the heat source(s) will be directed to the DHW tank to boost the temperature. Once the set time for Duration of Max. temp. has passed LP mode will not recur for the set interval (set by installer).
- It is the responsibility of the installer to ensure the settings for legionella prevention are compliant with local and national guidelines.



(LP mode: Legionella Prevention mode)

Please note that LP mode uses the assistance of electric heaters to supplement the energy input of the heat pump. Heating water for long periods of time is not efficient and will increase running costs. The installer should give careful consideration to the necessity of legionella prevention treatment whilst not wasting energy by heating the stored water for excessive time periods. The end user should understand the importance of this feature.




ALWAYS COMPLY WITH LOCAL AND NATIONAL GUIDANCE FOR YOUR COUNTRY REGARDING LEGIONELLA PREVENTION.

7 Water to Water Heat Pump (WTW)

Heating

The heating menus deal with space heating using normally either a radiator, fan-coil, or underfloor heating system depending on the installation.

There are 3 heating modes

- Heating room temp. (Auto adaptation) 
- Heating flow temp. 
- Heating compensation curve 

<Room temp. (Auto adaptation) mode>

In room temp. (Auto adaptation) mode the controller uses temperature sensors around the heating system to monitor space and flow temperatures. This data is regularly updated and compared to previous data by the controller to predict changes in room temperature and adjust the temperature of water flowing to the space heating circuit accordingly. By monitoring not only the outdoor ambient, but the room and heating circuit water temperatures, the heating is more consistent and sudden spikes in required heat output are reduced. This results in a lower overall flow temperature being required.

<Flow temp. mode>

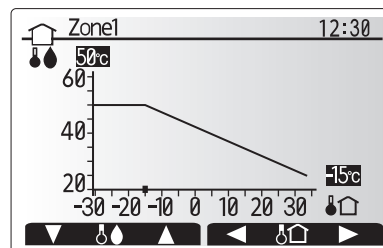
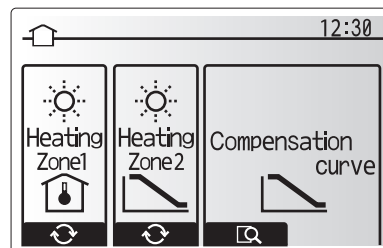
The temperature of the water flowing to the heating circuit is set by the installer to best suit the space heating system design, and user's desired requirements.

Explanation of compensation curve


During late spring and summer usually the demand for space heating is reduced. To prevent the heat pump from producing excessive flow temperatures for the primary circuit the compensation curve mode can be used to maximise efficiency and reduce running costs.

The compensation curve is used to restrict the flow temperature of the primary space heating circuit dependent on the outdoor temperature. The FTC uses information from both an outdoor temperature sensor and a temperature sensor on the primary circuit supply to ensure the heat pump is not producing excessive flow temperatures if the weather conditions do not require it.

Your installer will set the parameters of the graph depending on local conditions and type of space heating used in your home. It should not be necessary for you to alter these settings. If however you find that over a reasonable operating period the space heating is not heating or is overheating your home, please contact your installer so they can check your system for any problems and update these settings if necessary.



 : Flow temp.

 : Outdoor ambient temp.

7 Water to Water Heat Pump (WTW)

Holiday Mode

Holiday mode can be used to keep the system running at lower flow temperatures and thus reduced power usage whilst the property is unoccupied. Holiday mode can run either flow temp., room temp., heating, compensation curve heating and DHW all at reduced flow temperatures to save energy if the occupier is absent.

From the main menu screen press button E should be pressed. Be careful not to hold down button E for too long as this will turn off the controller and system.

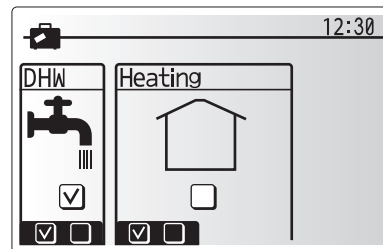
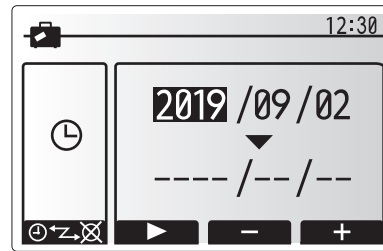
Once the holiday mode activation screen is displayed you can activate/deactivate and select the duration that you would like holiday mode to run for.

- Press button F1 to activate or deactivate holiday mode.
- Use buttons F2, F3 and F4 to input the date which you would like holiday mode to activate or deactivate holiday mode for space heating.

<Editing holiday mode>

Refer to the menu tree in “Main remote controller” of Installation Manual.

Should you require the Holiday mode settings e.g. the flow temp. or the room temp. to be altered you should contact your installer.



Schedule timer

Scheduled timer can be set in two ways, for example; one for summer and the other for winter. (Refer to as “Schedule 1” and “Schedule 2” respectively.) Once the term (months) for the Schedule 2 is specified, rest of the term will be specified as Schedule 1. In each Schedule, an operational pattern of modes (Heating) can be set. If no operational pattern is set for Schedule2, only the pattern for Schedule 1 will be valid. If Schedule 2 is set to full-year (i.e. March to Feb.), only the operational pattern for Schedule 2 will be valid.

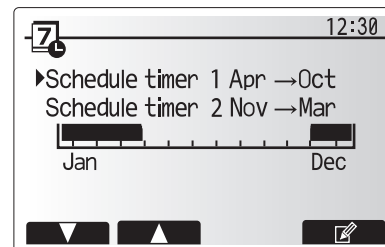
The schedule timer is activated or deactivated in the option screen. (See ‘General Operation’ section)

<Setting the Schedule period>

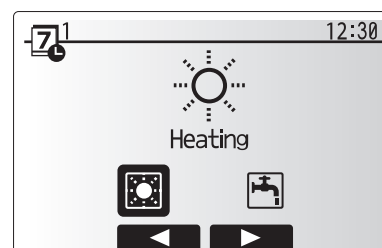
1. From the main settings menu use F2 and F3 to highlight the schedule icon then press CONFIRM.
2. The Schedule period preview screen is displayed.
3. To change the Schedule period, press F4. button.
4. The time bar edit screen is displayed.
5. Use F2/F3 button to point at a starting month of the Schedule2, then press CONFIRM.
6. Use F2/F3 button to point at an ending month of the Schedule2, then press CONFIRM.
7. Press F4 to save settings.

<Setting the Schedule timer>

1. From the main settings menu use F2 and F3 to highlight the schedule icon then press CONFIRM.
2. From the schedule 2 period preview screen use F1 and F2 to scroll through the selecting each subtitle in turn by pressing CONFIRM.
3. The schedule timer sub menu will be displayed. The icons show the following modes;
 - Heating
 - DHW
4. Use F2 and F3 buttons to move between mode icons press CONFIRM to be shown the PREVIEW screen for each mode.



Schedule2 period preview screen

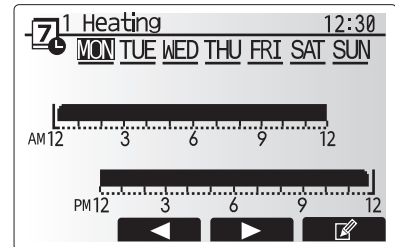


Schedule1 mode select screen

7 Water to Water Heat Pump (WTW)

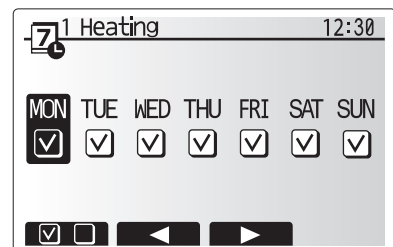
The preview screen allows you to view the current settings. Days of the week are displayed across the top of the screen. Where day appears underlined the settings are the same for all those days underlined. Hours of the day and night are represented as a bar across the main part of the screen. Where the bar is solid black, space heating is allowed.

5. In the preview menu screen press F4 button.



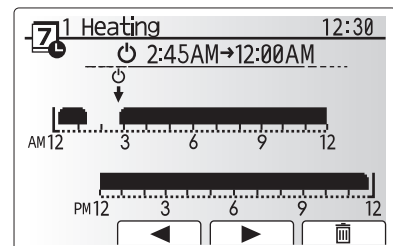
Preview screen

6. First select the days of the week you wish to schedule.
7. Press F2/F3 buttons to move between days and F1 to check or uncheck the box.
8. When you have selected the days press CONFIRM.



Day of week select screen

9. The time bar edit screen will be displayed.
10. Use buttons F2/F3 to move to the point at which you do not want the selected mode to be active press CONFIRM to start.
11. Use F3 button to set the required time of inactivity then press CONFIRM.
12. You can add up to 4 periods of inactivity within a 24 hour interval.



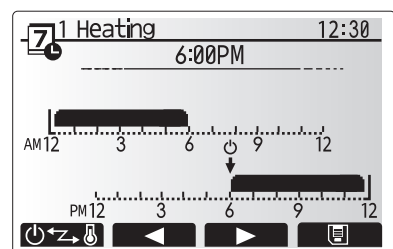
Time of period setting screen 1

13. Press F4 to save settings.

When scheduling heating, button F1 changes the scheduled variable between time and temperature. This enables a lower temperature to be set for a number of hours e.g. a lower temperature may be required at night when the occupants are sleeping.

Note:

- The schedule timer for space heating is set in the same way.
- A small rubbish bin character is also displayed choosing this icon will delete the last unsaved action.
- It is necessary to use the SAVE function F4 button to save settings. CONFIRM does NOT act as SAVE for this menu.



Time of period setting screen 2

7 Water to Water Heat Pump (WTW)

Service Menu

The service menu provides functions for use by installer or service engineer. It is NOT intended the home owner alters settings within this menu. It is for this reason password protection is required to prevent unauthorised access to the service settings.

The factory default password is "0000".

Follow the procedure described in General Operation for the set up operation.

The service menu is navigated using the F1 and F2 buttons to scroll through the functions. The menu is split across two screens and is comprised of the following functions;

1. Manual operation
2. Function settings
3. Thermistor adjustment
4. Auxiliary settings
5. Heat source setting
6. Pump speed
7. Heat pump settings
8. Operation settings
9. Energy monitor settings
10. External input settings
11. Thermo ON output
12. Commissioning wizard
13. Running information
14. Thermistor reading
15. Summary of settings
16. Error history
17. Password protection
18. Manual reset
19. SD card

In this Installation Manual, instructions will be given only for the following functions;

1. Manual operation
2. Auxiliary settings
3. Heat source setting
4. Operation settings
5. Energy monitor settings
6. External input settings
7. Password protection
8. Manual reset

Information on the other functions can be found by consulting the service manual.

Many functions can not be set whilst the heat pump unit is running. The installer should turn off the unit before trying to set these functions. If the installer attempts to change the settings whilst the unit is running the main remote controller will display a reminder message prompting the installer to stop operation before continuing. By selecting "Yes" the unit will cease operation.

<Manual operation>

During the filling of the system the water circulation pump and 3-way valve can be manually overridden using manual operation mode.

When manual operation is selected a small timer icon appears in the screen.

The function selected will only remain in manual operation for a maximum of 2 hours. This is to prevent accidental permanent override of the FTC.

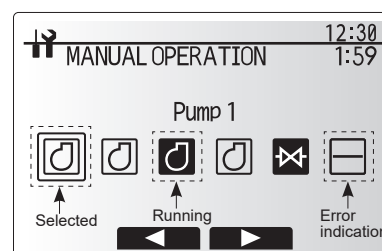
► Example

Pressing F3 button will switch manual operation mode ON for the main 3-way valve. When filling of the DHW tank is complete the installer should access this menu again and press F3 to deactivate manual operation of the part.

Alternatively after 2 hours manual operation mode will no longer be active and FTC will resume control of the part.

Manual operation and heat source setting can not be selected if the system is running. A screen will be displayed asking the installer to stop the system before these modes can be activated.

The system automatically stops 2 hours after last operation.



Manual operation menu screen

7 Water to Water Heat Pump (WTW)

<Auxiliary settings>

This function is used to set the parameters for any auxiliary parts used in the system

Menu subtitle	Function/ Description	
Economy settings for pump	Water pump stops automatically a specified period of time from when operation is finished.	
Delay	Time before pump switches off*1	
Electric heater (Heating)	To select "WITH booster heater (ON)" or "WITHOUT booster heater (OFF)" in Heating mode.	
Delay	The minimum time required for the booster heater to turn ON after Heating mode has started.	
Electric heater (DHW)	To select "WITH (ON)" or "WITHOUT (OFF)" booster heater or immersion heater individually in DHW mode.	
Delay	The minimum time required for the booster heater or immersion heater to turn ON from after DHW mode has started. (This setting is applied for both booster and immersion heater.)	
Mixing valve control *2	Running	Period from valve fully open (at a hot water mixing ratio of 100%) to valve fully closed (at a cold water mixing ratio of 100%)
	Interval	Interval (min) to control the mixing valve.
Flow sensor *3	Minimum	The minimum flow rate to be detected at flow sensor.
	Maximum	The maximum flow rate to be detected at flow sensor.

- *1. Decreasing "time before pump switched off" may increase the duration of stand-by in heating mode.
- *2. Set the running time according to the specifications of the actuator of each mixing valve.
It is recommended to set the interval to 2 minutes that is a default value. With the interval set longer, it could take longer to warm up a room.
- *3. Do not change the setting since it is set according to the specification of flow sensor attached to the heat pump unit.

<Heat source setting>

The default heat source setting is heat pump and all electric heaters present in the system to be operational. This is referred to as standard operation on the menu.

<Operation settings>

Heating operation

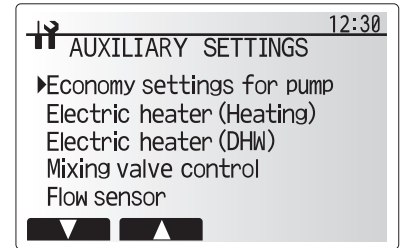
This function allows operational setting of flow temperature range from the heat pump unit and also the time interval at which the FTC collects and processes data for the auto adaptation mode.

Menu subtitle	Function	Range	Unit	Default
Flow temp. range	Minimum temp.	20 to 45	°C	30
	Maximum temp.	35 to 60	°C	50
Room temp. control	Mode	Normal/ Fast	—	Normal
	Interval	10 to 60	min	10
Heat pump thermo diff. adjust	On/Off	On/Off	—	On
	Lower limit	-9 to -1	°C	-5
	Upper limit	+3 to +5	°C	+5

Note:

1. The minimum flow temperature that prohibits heat pump operation is 20°C.
2. The maximum flow temperature that allows heat pump operation equals to the maximum temperature set in the Flow temp. range menu.

* Fast mode is not efficient and will increase running cost when compared to normal mode.



Auxiliary settings menu screen

7 Water to Water Heat Pump (WTW)

Freeze stat function

Menu subtitle	Function/ Description
Freeze stat function *1	An operational function to prevent the water circuit from freezing when outdoor ambient temperature drops.
Flow t.	The target outlet water temperature at water circuit when operating in Freeze stat function. *2
Outdoor ambient temp.	Minimum outdoor ambient temperature which freeze stat function will begin to operate, (3 - 20°C) or choose**. If asterisk (**) is chosen freeze stat function is deactivated. (i.e. primary water freeze risk)"

*1 When the system is turned off, freeze stat function is not enabled.

*2 Flow t. is fixed to 20°C and unchangeable.

Simultaneous Operation

For periods of very low outside temperature this mode can be used. Simultaneous operation allows both DHW and space heating to run together by using the heat pump and/or booster heater (if present) to provide space heating whilst only the immersion heater provides heating for DHW. This operation is only available if BOTH a DHW tank AND immersion heater are present on the system.*

- Range of outdoor ambient temperature at which simultaneous operation starts is -30°C to 10°C (default -15°C).
- System shall automatically return to routine operation. This will happen when the outdoor ambient temperature rises above the selected temperature for this specific mode of operation.

Cold weather function

For extremely low outdoor ambient temperature conditions when the heat pump's capacity is restricted the provision of DHW is supported by the immersion heater, where fitted. The support of both space heating and DHW can only be provided if the heat pump unit is also fitted with an electrical booster heater.

- Range of outdoor ambient temperature at which cold weather function starts is -30°C to -10°C (default -15°C).
- System shall automatically return to routine operation. This will happen when the outdoor temperature rises above the selected temp. for this specific mode of operation.

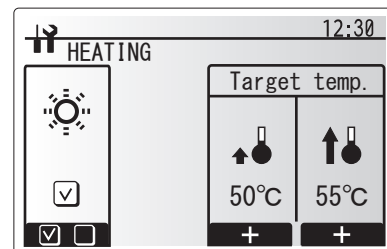
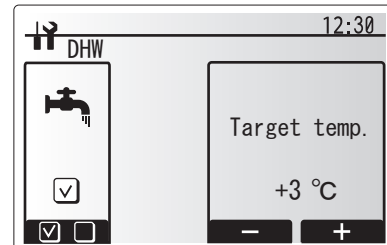
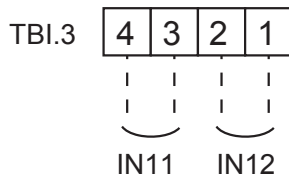
Note:

Electrical booster is only applicable to some modules.

Smart grid ready

In DHW or heating operation, the commands in the table below can be used.

IN11	IN12	Meaning
OFF (open)	OFF (open)	Normal operation
ON (short)	OFF (open)	Switch-on recommendation
OFF (open)	ON (short)	Switch-off command
ON (short)	ON (short)	Switch-on command



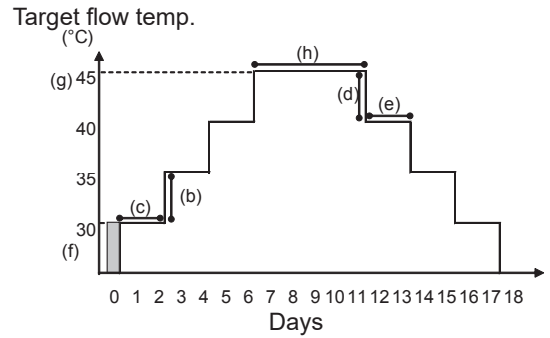
7 Water to Water Heat Pump (WTW)

Floor dry up function

The Floor dry up function automatically changes the target hot water temperature in stages to gradually dry concrete when this particular type of underfloor heating system is installed.

Upon completion of the operation the system stops all the operations except the Freeze stat. operation.

For Floor dry up function, the target flow temp. of Zone1 is the same as that of Zone2.



Disconnect wiring to external inputs of room thermostat, demand control, and outdoor thermostat, or the target flow temperature may not be maintained.

Functions	Symbol	Description	Option/Range	Unit	Default	
Floor dry up function	a	Set the function to ON and power on the system using the main remote controller, and the dry up heating operation will start.	On/Off	—	Off	
Flow temp. (increase)	Flow temp. increase step	b	Sets the increase step of the target flow temperature.	+1 to +10	°C	+5
	Increase interval	c	Sets the period for which the same target flow temperature is maintained.	1 to 7	day	2
Flow temp. (decrease)	Flow temp. decrease step	d	Sets the decrease step of the target flow temperature.	-1 to -10	°C	-5
	Decrease interval	e	Sets the period for which the same target flow temperature is maintained.	1 to 7	day	2
Target temperature	Start & Finish	f	Sets the target flow temperature at the start and the finish of the operation.	20 to 60	°C	30
	Max. target temp.	g	Sets the maximum target flow temperature.	20 to 60	°C	45
	Max. temp. period	h	Sets the period for which the maximum target flow temperature is maintained.	1 to 20	day	5

<Energy monitor settings>

1. General description

End user can monitor accumulated(*1) 'Consumed electrical energy' and 'Delivered heat energy' in each operation mode(*2) on the main remote controller.

*1 Monthly and Year to date

*2 - DHW operation

- Space heating

Refer to the menu tree in "Main Settings Menu" for how to check the energy, and "7.3 DIP switch functions" for the details on DIP-SW setting.

Either one of the following 2 methods is used for monitoring.

Note: Method 1 should be used as a guide. If a certain accuracy is required, the 2nd method should be used.

(1) Calculation internally

Electricity consumption is calculated internally based on the energy consumption of refrigerant and brine circuit, electric heater, water pump(s) and other auxiliaries.*3

Delivered heat is calculated internally by multiplying delta T (Flow and Return temp.) and flow rate measured by the factory fitted sensors.

Set the electric heater capacity and water pump(s) input and specs of additional pump(s) supplied locally. (Refer to the menu tree in "Main Settings Menu")

	Immersion heater	Pump1 *1	Pump2	Pump3
EHWT17D-MHEDW	3 kW	***(factory fitted pump)	When additional pumps supplied locally are connected as Pump 2/3, change setting according to specs of the pumps.	

*1 "****" displayed in the energy monitor setting mode means the factory fitted pump is connected as Pump 1 so that the input is automatically calculated.

When anti-freeze solution (propylene glycol) is used for primary water circuit, set the delivered energy adjustment if necessary. For further detail of above, refer to the menu tree in "Main Settings Menu".

7 Water to Water Heat Pump (WTW)

(2) Actual measurement by external meter (locally supplied)

FTC has external input terminals for 2 'Electric energy meters' and a 'Heat meter'.

If two 'Electric energy meters' are connected, the 2 recorded values will be combined at the FTC and shown on the main remote controller.

(e.g. Meter 1 for H/P power line, Meter 2 for heater power line)

Refer to the [Signal inputs] in section "7.2 Wiring diagrams" for more information on connectable electric energy meter and heat meter.

- Connectable electric energy meter and heat meter

- Pulse meter type Voltage free contact for 12VDC detection by FTC
(TBI.2 1pin, TBI.3 5 and 7 pins have a positive voltage.)
- Pulse duration Minimum ON time: 40 ms
Minimum OFF time: 100 ms
- Possible unit of pulse 0.1 pulse/kWh 1 pulse/kWh 10 pulse/kWh
100 pulse/kWh 1000 pulse/kWh

Those values can be set by the main remote controller. (Refer to the menu tree in "Main Settings Menu".)

<External input settings>

Demand control (IN4)

The selection of "OFF", whilst a signal is being sent to IN4, forcefully stops all the heat source operations and the selection of "Boiler" stops operations of heat pump and electric heater and performs boiler operation.

Outdoor thermostat (IN5)

The selection of "Heater", whilst a signal is being sent to IN5, performs electric-heater-only operation and the selection of "Boiler" performs boiler operation.

<Password protection>

Password protection is available to prevent unauthorised access to the service menu by untrained persons.

Resetting the password

If you forget the password you entered, or have to service a unit somebody else installed, you can reset the password to the factory default of **0000**.

1. From the main settings menu scroll down the functions until Service Menu is highlighted.
2. Press CONFIRM.
3. You will be prompted to enter a password.
4. Hold down buttons F3 and F4 together for 3 seconds
5. You will be asked if you wish to continue and reset the password to default setting.
6. To reset press button F3.
7. The password is now reset to **0000**.

<Manual reset>

Should you wish to restore the factory settings at any time you should use the manual reset function. Please note this will reset ALL functions to the factory default settings.



Password input screen



Password verify screen

7 Water to Water Heat Pump (WTW)

7.8 Service and Maintenance

The heat pump unit must be serviced once a year by a qualified individual. Servicing and maintenance of the outdoor unit should only be done by a Mitsubishi Electric trained technician with relevant qualifications and experience. Any electrical work should be done by a trades person with the appropriate electrical qualifications. Any maintenance or 'DIY' fixes done by a non-accredited person could invalidate the Warranty and/or result in damage to the heat pump unit and injury to the person.

Basic Troubleshooting

No.	Fault symptom	Possible cause	Explanation - Solution
1	Main remote controller display is blank.	<ol style="list-style-type: none"> There is no power supply to main remote controller. Power is supplied to main remote controller, however, the display on the main remote controller does not appear. 	<ol style="list-style-type: none"> Check LED2 on FTC. (See "5. WIRING DIAGRAM".) <ol style="list-style-type: none"> When LED2 is lit. Check for damage or contact failure of the main remote controller wiring. When LED2 is blinking. Refer to No. 5 below. When LED2 is not lit. Refer to No. 4 below. Check the following: <ul style="list-style-type: none"> Disconnection between the main remote controller cable and the FTC control board Failure of the main remote controller if "Please Wait" is not displayed. Refer to No. 2 below if "Please Wait" is displayed.
2	"Please Wait" remains displayed on the main remote controller.	<ol style="list-style-type: none"> "Please Wait" is displayed for up to 6 minutes. Communication failure between the main remote controller and FTC Communication failure between FTC and controller circuit board 	<ol style="list-style-type: none"> Normal operation Main remote controller start up checks/procedure. <ol style="list-style-type: none"> If "0%" or "50-99%" is displayed below "Please Wait" there is a communication error between the main remote controller and the FTC control board. <ul style="list-style-type: none"> Check wiring connections on the main remote controller. Replace the main remote controller or the FTC control board. If "1-49%" is displayed there is a communication error between controller circuit board and FTC control board. <ul style="list-style-type: none"> Check the wiring connections on the controller circuit board and the FTC control board. (Ensure the wiring connections between CN1 on the FTC control board and CNS on the controller circuit board) Replace the controller circuit board and/or the FTC control board.
3	The main screen appears with a press of the "ON" button, but disappears in a second.	The main remote controller operations do not work for a while after the settings are changed in the service menu. This is because the system takes time to apply the changes.	<p>Normal operation</p> <p>The FTC is applying updated settings made in the service menu. Normal operation will start shortly.</p>
4	LED2 on FTC is off. (See "7.2 Wiring diagrams".)	<ol style="list-style-type: none"> The controller circuit board unit is not supplied at the rated voltage. Faulty connector wiring FTC failure 	<ol style="list-style-type: none"> Check the voltage across the terminals L and N or L3 and N on the controller circuit board (See "7.4 Field wiring"). <ul style="list-style-type: none"> When the voltage is not 220 to 240 V AC, check wiring of the unit and of the breaker. When the voltage is at 220 to 240 V AC, go to "2." below. Check the N.F.board and TB1 cable. Check the voltage across the outdoor unit terminals S1 and S2. (See "7.4 Field wiring".) <ul style="list-style-type: none"> Check the cable between the terminals and N.F. board Check the cable between CNAC1 of the N.F.board and CNAC of the controller circuit board. Check the cable between CN01 of the FTC board and CNS of the controller circuit board. Check the FTC control board. <ul style="list-style-type: none"> Check the fuse on FTC control board. Check for faulty wiring. If no problem found with the wiring, the FTC control board is faulty.
		<p>When LED1 on FTC is lit.</p> <p>Incorrect setting of refrigerant address. (None of the refrigerant address is set to "0".)</p>	<p>Set the refrigerant address to "0". (Set refrigerant address using SW1(3-6) on controller circuit board.)</p>
5	LED2 on FTC is blinking. (See "7.2 Wiring diagrams".)	<p>When LED1 is also blinking on FTC .</p> <p>Faulty wiring between FTC and controller circuit board</p>	Check for faulty wiring between FTC and controller circuit board.
		<p>When LED1 on FTC is lit.</p> <ol style="list-style-type: none"> Short-circuited wiring in main remote controller Main remote controller failure 	<ol style="list-style-type: none"> Remove main remote controller wires and check LED2 on FTC. (See "7.2 Wiring diagrams".) <ul style="list-style-type: none"> If LED2 is blinking check for short circuits in the main remote controller wiring. If LED2 is lit, wire the main remote controller again and: <ul style="list-style-type: none"> - if LED2 is blinking, the main remote controller is faulty; - if LED2 is lit, faulty wiring of the main remote controller has been corrected.
6	LED4 on FTC is off. (See "7.2 Wiring diagrams".)	<ol style="list-style-type: none"> SD memory card is NOT inserted into the memory card slot with correct orientation. Not an SD standards compliant memory card. 	<ol style="list-style-type: none"> Correctly insert SD memory card in place until a click is heard. Use an SD standards compliant memory card. (Refer to installation manual, "7.4.6 Using SD memory card".)
	LED4 on FTC is blinking. (See "7.2 Wiring diagrams".)	<ol style="list-style-type: none"> Full of data. Write-protected. NOT formatted. Formatted in NTFS file system. 	<ol style="list-style-type: none"> Move or delete data, or replace SD memory card with a new one. Release the write-protect switch. Refer to installation manual, "7.4.6 Using SD memory card". FTC control board is Not compatible with NTFS file system. Use an SD memory card formatted in FAT file system.

7 Water to Water Heat Pump (WTW)

No.	Fault symptom	Possible cause	Explanation - Solution
7	No water at hot tap.	<ol style="list-style-type: none"> 1. Cold main off 2. Strainer (local supply) blocked. 	<ol style="list-style-type: none"> 1. Check and open stop cock. 2. Isolate water supply and clean strainer.
8	Cold water at tap.	<ol style="list-style-type: none"> 1. Hot water run out. 2. Prohibit, schedule timer or holiday mode selected or demand control input (IN4) or smart grid ready (switch-off command). 3. Heat pump not working. 4. Booster heater cut-out tripped. 5. The earth leakage circuit breaker for booster heater breaker (ECB1) tripped. 6. The booster heater thermal cut-out has tripped and cannot be reset using the manual reset button. 7. Immersion heater cut-out tripped. 8. Immersion heater breaker (ECB2) tripped. 9. 3-way valve fault 	<ol style="list-style-type: none"> 1. Ensure DHW mode is operating and wait for DHW tank to re-heat. 2. Check settings and change as appropriate. 3. Check heat pump. 4. Check booster heater thermostat and press reset button if safe. Reset button is located on the side of booster heater, covered with white rubber cap. See "7.5.1 Component parts" to find out its position. 5. Check the cause and reset if safe. 6. Check resistance across the thermal cut-out, if open then the connection is broken and the booster heater will have to be replaced. Contact your Mitsubishi Electric dealer. 7. Check immersion heater thermostat and press reset button, located on immersion heater boss, if safe. If the heater has been operated with no water inside it may have failed, so please replace it with a new one. 8. Check the cause and reset if safe. 9. Check plumbing/wiring to 3-way valve. <ol style="list-style-type: none"> (i) Manually override 3-way valve using the main remote controller. (Refer to <Manual operation> in "7.7 System setup") If the valve does not still function, go to (ii) below. (ii) Replace 3-way valve coil. If the valve does not still function, go to (iii) below. (iii) Replace 3-way valve. (Refer to Service manual.)
9	Water heating takes longer.	<ol style="list-style-type: none"> 1. Heat pump not working. 2. Booster heater cut-out tripped. 3. Booster heater breaker (ECB1) tripped. 4. The booster heater thermal cut-out has tripped and cannot be reset using the manual reset button. 5. Immersion heater cut-out has been triggered. 6. Immersion heater breaker (ECB2) tripped. 7. Flow rate of the sanitary circuit may be reduced. 	<ol style="list-style-type: none"> 1. Check heat pump. 2. Check booster heater thermostat and press reset button if safe. Reset button is located on the side of booster heater, covered with white rubber cap. See "7.5.1 Component parts" to find out its position. 3. Check the cause and reset if safe. 4. Check resistance across the thermal cut-out, if open then connection is broken and the booster heater will have to be replaced. Contact your Mitsubishi Electric dealer. 5. Check immersion heater thermostat and press reset button located on immersion heater boss, if safe. If the heater kept running with no water inside, this may have resulted in failure, so replace it with a new one. 6. Check the cause and reset if safe. 7. Check the following items <ul style="list-style-type: none"> • Check for trapped air in water pump (sanitary circuit). • Check if the speed of water pump (sanitary circuit) is set to 2. • Check water pump (sanitary circuit) for malfunction. (Refer to Service manual.) • Replace plate heat exchanger (water - water) or scale trap, if there are a blockage which blocks the sanitary circuit.
10	Temperature of DHW tank water dropped.	<p>When DHW operation is not running, the DHW tank emits heat and the water temperature decreases to a certain level. If water in the DHW tank is reheated frequently because of a significant drop in water temperature, check for the following.</p> <ol style="list-style-type: none"> 1. Water leakage in the pipes that connect to the DHW tank 2. Insulation material coming loose or off. 3. 3-way valve failure 4. Water pump (sanitary circuit) speed setting failure 	<ol style="list-style-type: none"> 1. Take the following measures. <ul style="list-style-type: none"> • Retighten the nuts holding the pipes onto the DHW tank. • Replace seal materials. • Replace the pipes. 2. Fix insulation. 3. Check plumbing/wiring to 3-way valve. <ol style="list-style-type: none"> (i) Manually override 3-way valve using the main remote controller. (Refer to <Manual operation> in "7.7 System setup".) If the valve does not still function, go to (ii) below. (ii) Replace 3-way valve motor. If the valve does not still function, go to (iii) below. (iii) Replace 3-way valve. (Refer to Service manual.) 4. Water pump (sanitary circuit) MUST be set to speed 2. When it set to speed 1, hot water would be mixed with cold water due to circulation.
11	Hot or warm water from cold tap.	Heat of hot water pipe is transferred to cold water pipe.	Insulate/re-route pipework.
12	Water leakage	<ol style="list-style-type: none"> 1. Poorly sealed connections of water circuit components 2. Water circuit components reaching the end of life 	<ol style="list-style-type: none"> 1. Tighten connections as required. 2. Refer to PARTS CATALOG for expected part lifetimes and replace them as necessary.

7 Water to Water Heat Pump (WTW)

Cylinder unit / Hydrobox/GSHP/WTW

No.	Fault symptom	Possible cause	Explanation - Solution
13	Heating system does not reach the target temperature.	<ol style="list-style-type: none"> Prohibit, schedule timer or holiday mode selected or demand control input (IN4) or smart grid ready (switch-off command). Check settings and change as appropriate. The temperature sensor is located in a room that has a different temperature relative to that of the rest of the house. Heat pump not working. Booster heater cut-out tripped. Booster heater breaker (ECB1) tripped. The booster heater thermal cut-out tripped and cannot be reset using the manual reset button. Incorrectly sized heat emitter. 3-way valve failure Battery problem (wireless control only) If a mixing tank is installed, the flow rate between the mixing tank and the unit is less than that between the mixing tank and the local system. 	<ol style="list-style-type: none"> Check settings and change as appropriate. Check the battery power and replace if flat. Relocate the temperature sensor to a more suitable room. Check heat pump. Check booster heater thermostat and press reset button if safe. Reset button is located on the side of booster heater, covered with white rubber cap. (See "7.5.1 Component parts" for position.) Check the cause of the trip and reset if safe. Check resistance across the thermal cut-out, if open then the connection is broken and the booster heater will have to be replaced. Contact your Mitsubishi Electric dealer. Check the heat emitter surface area is adequate. Increase size if necessary. Check plumbing/wiring to 3-way valve. <ol style="list-style-type: none"> Manually override 3-way valve using the main remote controller. (Refer to <Manual operation> in "7.7 System setup".) If the 3-way valve does not function, go to (ii) below. Replace 3-way valve motor. If the 3-way valve coil is replaced but the 3-way valve does not function go to (iii) below. Replace 3-way valve. (Refer to Service manual.) Check the battery power and replace if flat. Increase the flow rate between the mixing tank and the unit decrease that between the mixing tank and the local system.
14	In 2-zone temperature control, only Zone2 does not reach the target temperature.	<ol style="list-style-type: none"> When Zone1 and Zone2 are both in heating mode, the hot water temperature in Zone2 does not exceed that in Zone1. Faulty wiring of motorized mixing valve Faulty installation of motorized mixing valve Incorrect setting of Running time Motorized mixing valve failure 	<ol style="list-style-type: none"> Normal action no action necessary. Refer to installation manual, "7.4.3 Wiring for 2-zone temperature control". Check for correct installation. (Refer to the manual included with each motorized mixing valve.) Check for correct setting of Running time. Inspect the mixing valve. (Refer to the manual included with each motorized mixing valve.)
15	After DHW operation room temperature rises slightly.	At the end of the DHW mode operation the 3-way valve diverts hot water away from the DHW circuit into space heating circuit. This is done to prevent the unit components from overheating. The amount of hot water directed into the space heating circuit varies according to the type of the system and of the pipe run between the plate heat exchanger and the unit.	Normal operation no action necessary.
16	The room temperature rises during DHW operation.	3-way valve failure	Check the 3-way valve. <ol style="list-style-type: none"> Manually override 3-way valve using the main remote controller. (Refer to <Manual operation> in "7.7 System setup".) If the 3-way valve does not function, go to (ii) below. Replace 3-way valve coil. If the 3-way valve coil is replaced but the 3-way valve does not function go to (iii) below. Replace 3-way valve. (Refer to Service manual.)
17	Water discharges from pressure relief valve. (Primary circuit)	<ol style="list-style-type: none"> If continual – pressure relief valve could bite foreign objects and the valve seat may be damaged. If intermittent – expansion vessel charge may have reduced/bladder perished. 	<ol style="list-style-type: none"> Turn the handle on the pressure relief valve several turns. If leakage persists, replace the pressure relief valve with a new one. Check pressure in expansion vessel. Recharge to 1 bar if necessary. If bladder perished replace expansion vessel with a new one.
18	Water discharges from pressure relief valve. (Sanitary circuit)	<ol style="list-style-type: none"> If continual – field supplied pressure reducing valve not working. If continual – pressure relief valve could bite foreign objects and the valve seat may be damaged. If intermittent – expansion vessel charge may have reduced/bladder perished. DHW tank may have subjected to backflow. 	<ol style="list-style-type: none"> Check function of pressure reducing valve and replace if necessary. Turn the handle on the pressure relief valve several turns. If leakage persists, replace the pressure relief valve with a new one. Check gas-side pressure in expansion vessel. Recharge to correct precharge pressure if necessary. If bladder perished replace expansion vessel with a new one with appropriate pre-charge. Check the pressure in DHW tank. If pressure in DHW tank is similar to that in the incoming mains, cold water supply that merges with incoming mains water supply could flow back to DHW tank. Investigate source of back-feed and rectify error in pipework/fitting configuration. Adjust pressure in cold supply.
19	Noisy water circulation pump	Air in water circulation pump.	Use manual and automatic air vents to remove air from system. Top up water if necessary to achieve 1 bar on primary circuit.

7 Water to Water Heat Pump (WTW)

No.	Fault symptom	Possible cause	Explanation - Solution																
20	Noise during hot water draw off typically worse in the morning.	<ol style="list-style-type: none"> Loose airing cupboard pipework. Heaters switching on/off. 	<ol style="list-style-type: none"> Install extra pipe fastening clips. Normal operation no action necessary. 																
21	Mechanical noise heard coming from the unit.	<ol style="list-style-type: none"> Heaters switching on/off. 3-way valve changing position between DHW and heating mode. Heat pump unit (compressor) running 	Normal operation no action necessary.																
22	Water circulation pump runs for a short time unexpectedly.	Water circulation pump jam prevention mechanism (routine) to inhibit the build-up of scale.	Normal operation no action necessary.																
23	Milky/Cloudy water (Sanitary circuit)	Oxygenated water	Water from any pressurised system will release oxygen bubbles when water is running. The bubbles will settle out.																
24	Heating mode has been on standby for a long time (does not start operation smoothly.)	The time of "Delay" set in "Economy settings for pump" is too short. (Go to "Service menu" → "Auxiliary settings" → "Economy settings for pump").	Increase the time of "Delay" in "Economy settings for pump" .																
25	The heat pump unit that was running in the heating mode before power failure is running in the DHW mode after power recovery.	The heat pump unit is designed to run in an operation mode with a higher priority (i.e. DHW mode in this case) at power recovery.	<ul style="list-style-type: none"> Normal operation. After the DHW max. operation time has elapsed or the DHW max. temperature has been reached, the DHW mode switches to the other mode (ex. Heating mode). 																
26	<p>The energy monitor value seems not correct.</p> <p>Note: There could be some discrepancies between the actual and the calculated values. If you seek for accuracy, please make sure to connect power meter(s) and heat meter to FTC board. Both should be locally supplied.</p>	<ol style="list-style-type: none"> Incorrect setting of the energy monitor Non-connectable type of external meter (local supply) is connected. External meter (local supply) failure FTC board failure 	<p>1. Check the setting by following the procedure below. (1) Check if the DIP switch on FTC board is set as the table below.</p> <table border="1" style="width: 100%;"> <thead> <tr> <th colspan="2">Consumed electric energy</th> <th colspan="2">Delivered heat energy</th> </tr> </thead> <tbody> <tr> <td>SW3-4</td> <td>Electric energy meter (Local supply)</td> <td>SW3-8</td> <td>Heat meter (Local supply)</td> </tr> <tr> <td>OFF</td> <td>Without</td> <td>OFF</td> <td>Without</td> </tr> <tr> <td>ON</td> <td>With</td> <td>ON</td> <td>With</td> </tr> </tbody> </table> <p>(2) In the case external electric energy meter and/or heat meter is not used, check if the setting for electric heater and water pump(s) input is correct by referring to <Energy monitor setting> in "6.7 System setup". (3) In the case external electric energy meter and/or heat meter is used, check if the unit of output pulse on external meter matches with the one set at the main remote controller by referring to <Energy monitor setting> in "6.7 System setup".</p> <p>2. Check if the external meter (local supply) is connectable type by referring to <Energy monitor setting>" in "6.7 System setup".</p> <p>3. Check if signal is sent to IN8 to IN10 properly. (Refer to section 7.2 Wiring diagrams) Replace the external heat meter if defective.</p> <p>4. Check the FTC control board. <ul style="list-style-type: none"> Check for faulty wiring. If no problem found with the wiring, the FTC control board is faulty. Replace the board. </p>	Consumed electric energy		Delivered heat energy		SW3-4	Electric energy meter (Local supply)	SW3-8	Heat meter (Local supply)	OFF	Without	OFF	Without	ON	With	ON	With
Consumed electric energy		Delivered heat energy																	
SW3-4	Electric energy meter (Local supply)	SW3-8	Heat meter (Local supply)																
OFF	Without	OFF	Without																
ON	With	ON	With																
27	Heat pump is forced to turn ON and OFF.	Smart grid ready input (IN11 and IN12) is used, and switch-on and off commands are input.	Normal operation no action necessary.																

7 Water to Water Heat Pump (WTW)

■ Error Codes (FTC)

Code	Error	Action
L3	Circulation water temperature overheat protection	Flow rate may be reduced. Check for; <ul style="list-style-type: none"> • Water leakage • Strainer blockage • Water circulation pump function (Error code may display during filling of primary circuit, complete filling and reset error code.)
L4	DHW tank water temperature overheat protection	Check the immersion heater and it's contactor.
L5	FTC temperature thermistor (THW1, THW2, THW5A, THW5B, THW6, THW7, THW8, THW9) failure	Check resistance across the thermistor.
L6	Circulation water freeze protection	See Action for L3.
L8	Heating operation error	Check and re-attach any thermistors that have become dislodged.
L9	Low primary circuit flow rate detected by flow sensor or flow switch (flow switches 1, 2, 3)	See Action for L3. If the flow sensor or flow switch itself does not work, replace it. Caution: The pump valves may be hot, please take care.
LC	Boiler circulation water temperature overheat protection	Check if the setting temperature of the Boiler for heating exceeds the restriction. (See the manual of the thermistors "PAC-TH012HT-E") Flow rate of the heating circuit from the boiler may be reduced. Check for <ul style="list-style-type: none"> • water leakage, • strainer blockage • water circulation pump function.
LD	Boiler temperature thermistor (THWB1) failure	Check resistance across the thermistor.
LE	Boiler operation error	See Action for L8. Check the status of the boiler.
LF	Flow sensor failure	Check flow sensor cable for damage or loose connections.
LH	Boiler circulation water freeze protection	Flow rate of the heating circuit from the boiler may be reduced. Check for <ul style="list-style-type: none"> • water leakage • strainer blockage • water circulation pump function.
LJ	DHW operation error (type of external plate HEX)	<ul style="list-style-type: none"> • Check for disconnection of DHW tank water temp. thermistor (THW5B). • Flow rate of the sanitary circuit may be reduced. • Check for water circulation pump function.
LL	Setting errors of DIP switches on FTC control board	For boiler operation, check that DIP SW1-1 is set to ON (With Boiler) and DIP SW2-6 is set to ON (With Mixing Tank). For 2-zone temperature control, check DIP SW2-7 is set to ON (2-zone) and DIP SW2-6 is set to ON (With Mixing Tank).
LP	Out of water flow rate range	Check the installation Table 6.6.2 Check remote controller settings (Service menu / heat pump flow rate range) See Action for L3.
J0	Communication failure between FTC and wireless receiver	Check connection cable for damage or loose connections.
P1	Thermistor (Room temp.) (TH1) failure	Check resistance across the thermistor.
P2	Thermistor (Ref. liquid temp.) (TH2) failure	Check resistance across the thermistor.
P6	Anti-freeze protection of plate heat exchanger	See Action for L3. Check for correct amount of refrigerant.
J1 - J8	Communication failure between wireless receiver and wireless remote controller	Check wireless remote controller's battery is not flat. Check the pairing between wireless receiver to wireless remote controller. Test the wireless communication. (See the manual of wireless system)
E0 - E5	Communication failure between main remote controller and FTC	Check connection cable for damage or loose connections.
E6 - EF	Communication failure between FTC and C.B.	Check connection cable for damage or loose connections. Refer to service handbook.
E9	C.B. receives no signal from FTC.	Check connection cable for damage or loose connections. Refer to service handbook.
U*, F*	Refrigerant or brine circuit failure	Refer to Error Codes (C.B.) or service handbook.

Note: To cancel error codes please switch system off (Press button F4(RESET) on main remote controller, for 3 seconds).

7 Water to Water Heat Pump (WTW)

■ Error Codes (C.B.)

Code	Error	Cause	Action
None	—	<ul style="list-style-type: none"> ① No voltage is supplied to terminal block (TB1) of heat pump unit. <ul style="list-style-type: none"> a) Power supply breaker is turned off. b) Contact failure or disconnection of power supply terminal c) Open phase (L or N phase) ② Electric power is not charged to power supply terminal of power circuit board. <ul style="list-style-type: none"> a) Contact failure of power supply terminal b) Open phase on the power circuit board ③ Electric power is not supplied to C.B. <ul style="list-style-type: none"> a) Disconnection of connector (CNDC) ④ Disconnection of reactor (ACL) ⑤ Disconnection of noise filter circuit board or parts failure in noise filter circuit board ⑥ Defective power circuit board ⑦ Defective C.B. ⑧ Brine pump manual operation ⑨ Disconnection of wire between UNIT SIDE and MODULE SIDE. 	<ul style="list-style-type: none"> ① Check following items. <ul style="list-style-type: none"> a) Power supply breaker b) Connection of power supply terminal block (TB1) c) Connection of power supply terminal block (TB1) ② Check following items. <ul style="list-style-type: none"> a) Connection of power supply terminal block (TB1) b) Connection of terminal on power circuit board Check connection of the connector LI or NI. ③ Check connection of the connector (CNDC) on the C.B. Check connection of the connector, CNDC on the noise filter. ④ Check connection of reactor. (ACL) ⑤ a) Check connection of noise filter circuit board. b) Replace noise filter circuit board. ⑥ Replace power circuit board. ⑦ Replace C.B. (When items above are checked but the units cannot be repaired). ⑧ Check DIP SW6-3 and turn it OFF. ⑨ Refer to 'How to remove the module'. Check connection of the wire between UNIT SIDE and MODULE SIDE.
F5 (5201)	<p>63H connector open Abnormal if 63H connector circuit is open for 3 minutes continuously after power supply.</p> <p>63H: High pressure switch</p>	<ul style="list-style-type: none"> ① Disconnection or contact failure of 63H connector on C.B. ② Disconnection or contact failure of 63H ③ 63H is working due to defective parts. ④ Defective C.B. 	<ul style="list-style-type: none"> ① Check connection of 63H connector on C.B. ② Check the 63H side of connecting wire. ③ Check continuity by tester. Replace the parts if the parts are defective. ④ Replace C.B.
U1 (1302)	<p>High pressure (High pressure switch 63H operated) Abnormal if high pressure switch 63H operated (4.15 MPa) during compressor operation.</p> <p>63H: High pressure switch</p>	<ul style="list-style-type: none"> ① Clogged or broken pipe ② Locked brine pump ③ Malfunction of brine pump ④ Short cycle of refrigerant or brine circuit ⑤ Dirt of brine circuit heat exchanger ⑥ Decreased brine flow rate ⑦ Disconnection or contact failure of connector (63H) on C.B. ⑧ Disconnection or contact failure of 63H connection ⑨ Defective C.B. ⑩ Defective action of linear expansion valve ⑪ Malfunction of brine pump driving circuit 	<ul style="list-style-type: none"> ① Check piping and repair defect. ②-⑤ Check heat pump unit and repair defect. ⑥ Check the brine flow rate. ⑦-⑨ Turn the power off and check F5 is displayed when the power is turned again. ⑩ Check linear expansion valve. ⑪ Replace C.B.

7 Water to Water Heat Pump (WTW)

Code	Error	Cause	Action
U2 (1102)	<p>High discharge temperature (1) Abnormal if TH4 exceeds 125°C or 110°C continuously for 5 minutes. (2) Abnormal if discharge superheat (Heating: TH4-T63HS) exceeds 70°C continuously for 10 minutes. TH4: Thermistor <Discharge></p> <p>High comp. surface temperature Abnormal if TH33 exceeds 125°C. In the case of high comp. surface temperature error, compressor does not restart unless the thermistor (TH33) becomes less than 95°C. TH33: Thermistor <Comp. surface></p>	<p>① Overheated compressor operation caused by shortage of refrigerant</p> <p>② Defective thermistor</p> <p>③ Defective C.B.</p> <p>④ Defective action of linear expansion valve</p> <p>⑤ Clogging with foreign objects in refrigerant circuit Note: Clogging occur in the parts which become below freezing point when water enters in refrigerant circuit.</p> <p>⑥ In the case of the unit does not restart: Detection temp. of thermistor (TH33) ≥ 95°C</p>	<p>① Check intake superheat. Check leakage of refrigerant. Charge additional refrigerant.</p> <p>②③ Turn the power off and check if U3 is displayed when the power is turned on again. When U3 is displayed, refer to 'Judgment and action' for U3.</p> <p>④ Check linear expansion valve.</p> <p>⑤ After recovering refrigerant, remove water from entire refrigerant circuit under vacuum more than 1 hour.</p>
U3 (5104)	<p>Open/short circuit of heat pump unit temperature thermistor (TH4, TH33) Abnormal if open (3°C or less) or short (217°C or more) is detected during compressor operation. (Detection is inoperative for 10 minutes of compressor starting process and for 10 minutes after and during defrosting.) TH4: Thermistor <Discharge> TH33: Thermistor <Comp. surface></p>	<p>① Disconnection or contact failure of connectors (TH4, TH33) on the C.B.</p> <p>② Defective thermistor</p> <p>③ Defective C.B.</p>	<p>① Check connection of connector (TH4, TH33) on the C.B. Check breaking of the lead wire for TH4, TH33.</p> <p>② Check resistance value of TH4, TH33 or temperature by microprocessor.</p> <p>③ Replace C.B.</p>
U4 (TH3: 5105) (TH7: 5106) (TH8: 5110) (TH32: 5132) (TH34: 5134)	<p>Open/short of heat pump unit thermistors (TH3, TH32, TH34, TH7 and TH8) Abnormal if open or short is detected during compressor operation. Open detection of TH3, TH32 and TH34 is inoperative for 10 seconds to 10 minutes after compressor starting. Note: Check which unit has abnormality in its thermistor by switching the mode of SW2. (PAC-SK52ST)</p>	<p>① Disconnection or contact failure of connectors C.B.: TH3, TH32, TH34, TH7 Power board: CN6</p> <p>② Defective thermistor</p> <p>③ Defective C.B.</p>	<p>① Check connection of connector (TH3, TH32, TH34 TH7) on the C.B. Check connection of connector (CN6) on the power board. Check breaking of the lead wire for TH3, TH32, TH34, TH7, TH8.</p> <p>② Check resistance value of TH3, TH32, TH34, TH7, TH8 or check temperature by microprocessor.</p> <p>③ Replace C.B. Note: Emergency operation is available in case of abnormalities of TH3 and TH7.</p>
U5 (4230)	<p>Temperature of heat sink Abnormal if TH8 detects temperature indicated 95°C. TH8: Thermistor <Heat sink></p>	<p>① Rise of ambient temperature</p> <p>② Defective thermistor</p> <p>③ Defective input circuit of power circuit board</p> <p>④ Failure of brine pump drive circuit</p>	<p>① Check if there is something which causes temperature rise around unit. (Upper limit of ambient temperature is 35°C.) Turn off power, and on again to check if U5 is displayed within 30 minutes. If U4 is displayed instead of U5, follow the action to be taken for U4.</p> <p>② Check resistance value of TH8 or temperature by microprocessor.</p> <p>③ Replace power circuit board.</p> <p>④ Replace C.B.</p>
U6 (4250)	<p>Power module Check abnormality by driving power module in case overcurrent is detected. (UF or UP error condition)</p>	<p>① Decrease of power supply voltage</p> <p>② Looseness, disconnection or converse of compressor wiring connection</p> <p>③ Defective compressor</p> <p>④ Defective C.B.</p>	<p>① Check facility of power supply.</p> <p>② Correct the wiring (U•V•W phase) to compressor.</p> <p>③ Check compressor</p> <p>④ Replace C.B.</p>

7 Water to Water Heat Pump (WTW)

Code	Error	Cause	Action
U7 (1502)	Too low superheat due to low discharge temperature Abnormal if discharge superheat is continuously detected less than or equal to -15°C for 3 minutes even though linear expansion valve has minimum open pulse after compressor starts operating for 10 minutes.	<ol style="list-style-type: none"> ① Disconnection or loose connection of discharge temperature thermistor (TH4) ② Defective holder of discharge temperature thermistor ③ Disconnection or loose connection of linear expansion valve's coil ④ Disconnection or loose connection of linear expansion valve's connector ⑤ Defective linear expansion valve 	<ol style="list-style-type: none"> ①② Check the installation conditions of discharge temperature thermistor (TH4). ③ Check the coil of linear expansion valve. ④ Check the connection or contact of LEV-A on C.B. ⑤ Check linear expansion valve.
U8 (4400)	Brine pump Abnormal if rotational frequency of the brine pump is not detected during DC brine pump operation. Brine pump rotational frequency is abnormal if 500 rpm or below or 5000 rpm or more detected continuously for 1 minute.	<ol style="list-style-type: none"> ① Failure in the operation of the DC brine pump ② Failure in the C.B. 	<ol style="list-style-type: none"> ① Check or replace the DC brine pump. ② Check the voltage of the C.B. during operation. ③ Replace the C.B. (When the failure is still indicated even after performing the action ① above.)
U9 (4220)	Abnormal voltage error See service handbook.	See service handbook.	See service handbook.
UE (1302)	Abnormal pressure of 63HS Abnormal if 63HS detects 0.1 MPa or less. Detection is inoperative for 3 minutes after compressor starting and 3 minutes after and during defrosting. 63HS: High pressure sensor	<ol style="list-style-type: none"> ① Disconnection or contact failure of connector (63HS) on the C.B. ② Defective pressure sensor ③ Defective C.B. 	<ol style="list-style-type: none"> ① Check connection of connector (63HS) on the C.B. Check breaking of the lead wire for 63HS. ② Check pressure by microprocessor. (Pressure sensor/ 63HS) ③ Replace C.B.
UL (1300)	Low pressure Abnormal if TH33-TH4 exceeds 20°C and TH33 exceeds 80°C during compressor operation.	<ol style="list-style-type: none"> ① Defective linear expansion valve. ② Defective C.B. 	<ol style="list-style-type: none"> ① Check linear expansion valve. ② Replace C.B.
UF (4100)	Compressor overcurrent interruption (When compressor locked) Abnormal if overcurrent of DC bus or compressor is detected within 30 seconds after compressor starts operating.	<ol style="list-style-type: none"> ① Decrease of power supply voltage ② Looseness, disconnection or converse of compressor wiring connection ③ Defective compressor ④ Defective power board 	<ol style="list-style-type: none"> ① Check facility of power supply. ② Correct the wiring (U•V•W phase) to compressor. ③ Check compressor. ④ Replace power circuit board.
UH (5300)	Current sensor error or input current error <ul style="list-style-type: none"> • Abnormal if current sensor detects -1.0A to 1.0A during compressor operation. (This error is ignored in case of test run mode.) • Abnormal if 40A of input current is detected or 37A or more of input current is detected for 10 seconds continuously. 	<ol style="list-style-type: none"> ① Disconnection of compressor wiring ② Defective circuit of current sensor on power circuit board ③ Decrease of power supply voltage ④ Leakage or shortage of refrigerant 	<ol style="list-style-type: none"> ① Correct the wiring (U•V•W phase) to compressor. ② Replace power circuit board. ③ Check the facility of power supply. ④ Check leakage of refrigerant.
UA (2511)	Low brine flow rate (flow switch operated) Abnormal if flow switch is operated (under 5.5L/min) during compressor operation.	<ol style="list-style-type: none"> ① Valve or PICV of ambient loop circuit is closed during operation. ② Disconnection or loose connection of connector (63L) on C.B. ③ Disconnection or loose connection of 63L ④ Defective C.B. ⑤ Misconnection of Water/Brine pipe. 	<ol style="list-style-type: none"> ① Check valve or PICV. Active SW6-4 on FTC, if TBI.4 7-8 is connected. ②-④ Turn the power off and on again to check if F3 is displayed on restarting. If F3 is displayed, follow the F3 processing direction. ⑤ Check Water/Brine pipe connection.
UP (4210)	Compressor overcurrent interruption Abnormal if overcurrent DC bus or compressor is detected after compressor starts operating for 30 seconds.	See service handbook.	See service handbook.

7 Water to Water Heat Pump (WTW)

■ Annual Maintenance

It is essential that the heat pump is serviced at least once a year by a qualified individual. Any required parts should be purchased from Mitsubishi Electric. NEVER bypass safety devices or operate the unit without them being fully operational. For more details, refer to service handbook.

Note:
Within the first couple of months of installation, remove and clean the heat pump unit's strainer plus any additional filter items that are fitted external to the heat pump unit. This is especially important when installing on an old/existing pipe work system.

In addition to annual servicing it is necessary to replace or inspect some parts after a certain period of system operation. Please see tables below for detailed instructions. Replacement and inspection of parts should always be done only by a competent person with relevant training and qualifications.

Parts which require regular replacement

Parts	Replace every	Possible failures
Pressure relief valve (PRV) Manometer	6 years	Water leakage

Parts which require regular inspection

Parts	Check every	Possible failures
Pressure relief valve (3 bar)	1 year (turning the knob manually)	PRV would be fixed and expansion vessel would burst
Immersion heater	2 years	Earth leakage causing circuit breaker to activate (Heater is always OFF)
Water circulation pump (Primary circuit)	20,000 hrs (3 years)	Water circulation pump failure

Parts which must NOT be reused when servicing

- * O-ring
- * Gasket

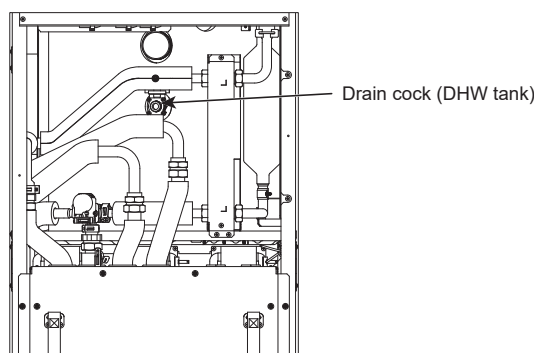
Note:

- Always replace the gasket for pump with a new one at each regular maintenance (every 20,000 hours of use or every 3 years).

<Draining the heat pump unit and its primary heating circuit (local)>

WARNING: DRAINED WATER MAY BE VERY HOT

1. Firstly to eliminate any air in heat pump unit pipe works, engage the DHW pump circulator for 1-2 mins and expel any trapped air via nearest hot water tap so as unit becomes fully primed/water charged.
2. Before attempting to drain the heat pump unit isolate from the electrical supply to prevent the immersion and booster heaters burning out.
3. Isolate cold water feed to DHW tank.
4. Open a hot water tap to start draining without a vacuum.
5. Attach a hose to the DHW tank drain cocks. The hose should be able to withstand heat as the draining water could be very hot. The hose should drain to a place lower than the DHW tank bottom to encourage siphoning.
6. When the DHW tank is drained close drain cock and the hot water tap.
7. Attach hose to water circuit drain cocks (No. 7 on Figure 7.5.1). The hose should be able to withstand heat as the draining water could be very hot. The hose should drain to a place lower than the booster heater drain cock to encourage siphoning. Open the pump valves and the strainer valves.
8. Water remains in the strainer still after the heat pump unit was drained. Drain the strainer by removing the strainer cover.



<Figure 7.8.1>

7 Water to Water Heat Pump (WTW)

■ Engineers Forms

Should settings be changed from default, please enter and record new setting in 'Field Setting' column. This will ease resetting in the future should the system use change or the circuit board need to be replaced.

Commissioning/Field settings record sheet

Main remote controller screen		Parameters	Default setting	Field setting	Notes		
Main	Zone1 heating room temp.	10°C to 30°C	20°C				
	Zone2 heating room temp. *8	10°C to 30°C	20°C				
	Zone1 heating flow temp.	20°C to 60°C	45°C				
	Zone2 heating flow temp. *1	20°C to 60°C	35°C				
	Zone1 heating compensation curve	-9°C to +9°C	0°C				
	Zone2 heating compensation curve *1	-9°C to +9°C	0°C				
	Holiday mode	Active/Non active/Set time	—				
Option	Forced DHW operation	On/Off	—				
	DHW	On/Off/Timer	On				
	Heating	On/Off/Timer	On				
	Energy monitor	Consumed electrical energy/Delivered energy	—				
Setting	DHW	Operation mode	Normal/Eco	Eco			
		DHW max. temp.	40°C to 60°C	50°C			
		DHW ma. temp. drop	5°C to 30°C	10°C			
		DHW max. operation time	30 to 120 min	60 min			
		DHW mode restriction	30 to 120 min	30 min			
		DHW recharge	Standard/Large	Standard			
	Legionella prevention	Active	Yes/No	Yes			
		Hot water temp.	60°C to 70°C	65°C			
		Frequency	1 to 30 days	15 days			
		Start time	00:00 to 23:00	03:00			
		Max. operation time	1 to 5 hours	3 hours			
		Duration of maximum temp.	1 to 120 min	30 min			
	Heating	Zone1 operation mode	Heating room temp./ Heating flow temp./ Heating compensation curve	Room temp.			
		Zone2 operation mode *1	Heating room temp./ Heating flow temp./ Heating compensation curve	Compensation curve			
	Compensation curve	Hi flow temp. set point	Zone1 outdoor ambient temp.	-30°C to +33°C	-15°C		
			Zone1 flow temp.	20°C to 60°C	50°C		
			Zone2 outdoor ambient temp. *1	-30°C to +33°C	-15°C		
			Zone2 flow temp. *1	20°C to 60°C	40°C		
			Lo flow temp. set point	Zone1 outdoor ambient temp.	-28°C to +35°C	35°C	
				Zone1 flow temp.	20°C to 60°C	25°C	
		Zone2 outdoor ambient temp. *1		-28°C to +35°C	35°C		
		Zone2 flow temp. *1		20°C to 60°C	25°C		
		Adjust		Zone1 outdoor ambient temp.	-29°C to +34°C	—	
				Zone1 flow temp.	20°C to 60°C	—	
			Zone2 outdoor ambient temp. *1	-29°C to +34°C	—		
			Zone2 flow temp. *1	20°C to 60°C	—		
	Holiday		DHW	Active/Non active	Non active		
			Heating	Active/Non active	Active		
		Zone1 heating room temp.	10°C to 30°C	15°C			
		Zone2 heating room temp. *8	10°C to 30°C	15°C			
		Zone1 heating flow temp.	20°C to 60°C	35°C			
		Zone2 heating flow temp. *1	20°C to 60°C	25°C			
	Initial settings	Language	EN/FR/DE/SV/ES/IT/DA/NL/FI/NO/PT/BG/PL/CZ/RU/TR/SL	EN			
		°C/°F	°C/°F	°C			
		Summer time	On/Off	Off			
		Temp. display	Room/DHW tank/Room&DHW tank / Off	Off			
		Time display	hh:mm/hh:mm AM/AM hh:mm	hh:mm			
		Room sensor settings for Zone1	TH1/Main RC/Room RC1-8/"Time/Zone"	TH1			
		Room sensor settings for Zone2 *1	TH1/Main RC/Room RC1-8/"Time/Zone"	TH1			
Room RC zone select *1		Zone1/Zone2	Zone1				

7 Water to Water Heat Pump (WTW)

■ Engineers Forms

Commissioning/Field settings record sheet (continued from the previous page)

Main remote controller screen			Parameters	Default setting	Field setting	Notes		
Setting	Service menu	Thermistor adjustment	THW1	-10°C to +10°C	0°C			
			THW2	-10°C to +10°C	0°C			
			THW5A	-10°C to +10°C	0°C			
			THW5B	-10°C to +10°C	0°C			
			THW6	-10°C to +10°C	0°C			
			THW7	-10°C to +10°C	0°C			
			THW8	-10°C to +10°C	0°C			
			THW9	-10°C to +10°C	0°C			
			THW10	-10°C to +10°C	0°C			
			THWB1	-10°C to +10°C	0°C			
	Auxiliary settings	Economy settings for pump.	On/Off *2		On			
			Delay (3 to 60 min)		10 min			
		Electric heater (Heating) *12	Space heating: On (used)/Off (not used)		On			
			Electric heater delay timer (5 to 180 min)		30 min			
		Electric heater (DHW)	Booster heater DHW: On (used)/Off (not used)		On			
			Immersion heater DHW: On (used)/Off (not used) *12		On			
			Electric heater delay timer (15 to 30 min)		15 min			
		Mixing valve control	Running (10 to 240 sec)		120 sec			
			Interval (1 to 30 min)		2 min			
		Flow sensor *10	Minimum (0 to 100L/min)		5 L/min			
	Maximum (0 to 100L/min)			100 L/min				
	Analog output	Interval (1 to 30 min)		5 min				
		Priority (Normal/High)		Normal				
	Pump speed	DHW	Pump speed (1 to 5)		5			
		Heating	Pump speed (1 to 5)		5			
	Heat source setting		Standard/Heater/Boiler/Hybrid *3		Standard			
	Heat pump settings	Heat pump flow rate range	Minimum (0 to 100L/min)		5 L/min			
			Maximum (0 to 100L/min)		100 L/min			
		Quiet mode	Day (Mon to Sun)		—			
	Time			0:00 to 23:45				
	Operation settings	Heating operation *4	Flow temp. range *6	Minimum.temp. (20 to 45°C)		30°C		
				Maximum.temp. (35 to 60°C)		50°C		
			Room temp. control *9	Mode (Normal/Fast)		Normal		
				Interval (10 to 60 min)		10 min		
		Heat pump thermo diff. adjust	On/Off *2		On			
			Lower limit (-9 to -1°C)		-5°C			
			Upper limit (+3 to +5°C)		5°C			
		Freeze stat function *7	Outdoor ambient temp. (3 to 20°C) / **		5°C			
		Simultaneous operation (DHW/Heating)	On/Off *2		Off			
			Outdoor ambient temp. (-30 to +10°C)		-15°C			
	Cold weather function	On/Off *2		Off				
		Outdoor ambient temp. (-30 to -10°C)		-15°C				
	Boiler operation	Hybrid settings	Outdoor ambient temp. (-30 to +10°C)		-15°C			
			Priority mode (Ambient/Cost/CO ₂)		Ambient			
		Intelligent settings	Energy price *5	Electricity (0.001 to 999 */kWh)		0.5 */kWh		
Boiler (0.001 to 999 */kWh)					0.5 */kWh			
CO ₂ emission			Electricity (0.001 to 999 kg -CO ₂ /kWh)		0.5 kg -CO ₂ /kWh			
		Boiler (0.001 to 999 kg -CO ₂ /kWh)		0.5 kg -CO ₂ /kWh				
Heat source		Heat pump capacity (1 to 40 kW)		11.2 kW				
	Boiler efficiency (25 to 150%)		80%					
	Booster heater 1 capacity (0 to 30 kW)		2 kW					
	Booster heater 2 capacity (0 to 30 kW)		4 kW					

Cylinder unit / Hydrobox/GSHP/WTW

7 Water to Water Heat Pump (WTW)

■ Engineers Forms

Commissioning/Field settings record sheet (continued from the previous page)

Main remote controller screen				Parameters		Default setting	Field setting	Notes
Setting	Service menu	Operation settings	Smart grid ready	DHW	On/Off		Off	
				Heating	Target temp (+1 to +20°C) / -- (Non active)		--	
					Target temp.	Switch-on recommendation (20 to 60°C)	50°C	
				Switch-on command (20 to 60°C)		55°C		
				Pump cycles	Heating (On/Off)		On	
					Interval (10 to 120 min)		10 min	
				Floor dry up function	On/Off *2		Off	
					Target temp.	Start&Finish (20 to 60°C)	30°C	
						Max. temp. (20 to 60°C)	45°C	
						Max. temp. period (1 to 20 days)	5 days	
			Flow temp. (Increase)		Temp. increase step (+1 to +10°C)	+5°C		
					Increase interval (1 to 7 days)	2 days		
			Flow temp. (Decrease)		Temp. decrease step (-1 to -10°C)	-5°C		
					Decrease interval (1 to 7 days)	2 days		
			Summer mode	On/Off		Off		
				Outdoor ambient temp.	Heating ON (4 to 19°C)	10°C		
					Heating OFF (5 to 20°C)	15°C		
				Judgement time	Heating ON (1 to 48 hours)	6 hours		
					Heating OFF (1 to 48 hours)	6 hours		
			Forced heating ON (-30 to 10°C)		5 °C			
			Water flow control		On/Off	Off		
			Energy monitor settings	Electric heater capacity	Booster heater 1 capacity	0 to 30kW *12	2kW	
					Booster heater 2 capacity	0 to 30kW *12	4kW	
					Immersion heater capacity	0 to 30kW	0kW	
					Analog output	0 to 30kW	0kW	
				Delivered energy adjustment		-50 to +50%	0%	
				Water pump input	Pump 1	0 to 200W or *** (factory fitted pump)	***	
					Pump 2	0 to 200W	0W	
					Pump 3	0 to 200W	0W	
					Pump 4	0 to 200W	72W	
				Electric energy meter		0.1/1/10/100/1000 pulse/kWh	1000 pulse/kWh	
			Heat meter		0.1/1/10/100/1000 pulse/kWh	1000 pulse/kWh		
External input settings	Demand control (IN4)	Heat source OFF/Boiler operation	Boiler operation					
	Outdoor thermostat (IN5)	Heater operation/Boiler operation	Boiler operation					
Thermo ON output		Zone1/Zone2/Zone1&2	Zone1&2					

*1 The settings related to Zone2 can be switched only when 2 zone temperature control is enabled (when DIP SW2-6 and SW 2-7 (FTC) are ON).

*2 On: the function is active; Off: the function is inactive.

*3 When DIP SW1-1 (FTC) is set to OFF "WITHOUT Boiler" or SW2-6 (FTC) is set to OFF "WITHOUT Mixing tank", neither Boiler nor Hybrid can be selected.

*4 Valid only when operating in Room temp. control mode.

5 "" of "**/kWh" represents currency unit (e.g. € or £ or the like)

*6 Valid only when operating in Heating room temperature.

*7 If asterisk (**) is chosen freeze stat function is deactivated. (i.e. primary water freeze risk)

*8 The settings related to Zone2 can be switched only when 2-zone temperature control or 2-Zone valve ON/OFF control is active.

*9 When DIP SW5-2 (FTC) is set to OFF, the function is active.

*10 Do not change the setting since it is set according to the specification of flow sensor attached to the heat pump unit.

*11 The default setting is 1 pulse/kWh depend on the connected indoor unit.

*12 If booster heater equipped, the function is activated.

7 Water to Water Heat Pump (WTW)

7.9. Supplementary information

■ Back-up operation of boiler

Heating operation is backed up by boiler.

For more details, refer to the installation manual of PAC-TH012HT-E.

<Installation & System set up>

1. Set DIP-SW 1-1 (FTC) to ON "With boiler" and SW2-6 (FTC) to ON "With Mixing tank".
2. Install the thermistors THWB1*¹ on the boiler circuit.
3. Connect the output wire (OUT10: Boiler operation) to the input (room thermostat input) on the boiler. *²
4. Install one of the following room temperature thermostats. *³

- Wireless remote controller (option)
- Room temp. thermostat (local supply)
- Main remote controller (remote position)

*¹ The boiler temperature thermistor is an optional part.

*² OUT10 has no voltage across it.

*³ Boiler heating is controlled on/off by the Room temp. thermostat.

<Main remote controller settings>

1. Go to Service menu > Heat source setting and choose "Boiler" or "Hybrid". *⁴
2. Go to Service menu > Operation settings > Boiler settings to make detailed settings for "Hybrid" above .

*⁴ The "Hybrid" automatically switches heat sources between Heat pump (and Electric heater) and boiler.

■ Product fiche of temperature control

- (a) Supplier's name: MITSUBISHI ELECTRIC CORPORATION
- (b) Supplier's model identifier: PAR-WT50R-E and PAR-WR51R-E
- (c) The class of the temperature control: VI
- (d) The contribution of the temperature control to seasonal space heating energy efficiency: 4%

1	Safety precautions	FOR INSTALLER	C-2
1.1	Before installation (Environment)		C-2
1.2	Before installation or relocation		C-2
1.3	Before electric work		C-2
1.4	Before starting the test run		C-3
1.5	Electric booster and immersion heaters		C-3
2	Installing the FTC unit		C-4
2.1	Check the parts (Fig. 2.1.1)		C-4
2.2	Choosing the FTC unit installation location		C-4
2.3	Installing the FTC unit (Fig. 2.3.1, 2.3.2, 2.3.3, 2.3.4)		C-5
3	System		C-6
3.1	First step (Electrical work)		C-6
3.2	Second step (Outdoor unit type)		C-6
3.3	Third step (Functions setting)		C-7
3.4	Fourth step (Functions setting)		C-8
3.5	Local system		C-10
3.6	Minimum amount of water required in the space heating/cooling circuit		C-11
3.7	Energy monitor		C-11
4	Electrical work		C-12
4.1	Electrical connection		C-12
4.2	Connecting the main remote controller		C-14
4.3	Main Remote Controller Options		C-17
4.4	Connecting the thermistor cables		C-19
4.5	Connecting inputs/outputs		C-21
4.6	Wiring for heater		C-23
4.7	Wiring for 2-zone temperature control		C-24
4.8	2-zone valve ON/OFF control		C-24
4.9	Smart grid ready		C-24
4.10	Installation procedure for DHW tank		C-25
4.11	Using SD memory card		C-26
5	DIP Switch setting		C-27
5.1	DIP Switch Functions		C-27
5.2	Outdoor unit type		C-28
5.3	Functions setting		C-28
5.4	Operation setting		C-30
5.5	Emergency mode (Heater only operation)		C-31
5.6	Emergency mode (Boiler operation)		C-31
5.7	Indoor unit only operation (during installation work)		C-31
6	Before test run		C-32
6.1	Check		C-32
6.2	Self-check		C-32
7	Main remote controller operation		C-33
7.1	Safety precautions	FOR USER	C-33
7.2	Main remote controller		C-34
8	Troubleshooting		C-45
9	Multiple outdoor units control		C-49
9.1	Wiring for multiple outdoor units control		C-49
9.2	Pipe work		C-49
9.3	Electrical connection		C-53
9.4	Main remote controller wiring		C-55
9.5	Connecting the thermistor cables		C-55
9.6	Dip switch functions		C-55
9.7	Connecting inputs/outputs		C-57
10	Supplementary information		C-61
10.1	Refrigerant collecting (pumpdown) for split model systems only		C-61
10.2	Back-up operation of boiler		C-61

- ▶ Before installing the FTC unit, make sure you read all the "Safety precautions".
- ▶ Please report to your supply authority or obtain their consent before connecting this equipment to the power supply system.

⚠ Warning:

Precautions that must be observed to prevent injuries or death.

⚠ Caution:

Precautions that must be observed to prevent damage to the unit.

After installation, perform the test run to ensure normal operation. Then explain to your customer the "Safety Precautions" *1, use, and maintenance of the unit based on the information in this manual. This manual must be given to the user. This manual must always be kept by the actual users.

*1 "Safety Precautions" for user is indicated on page C-33.

⚡ : This indicates a part which must be grounded.

⚠ Warning:

Carefully read the labels attached to the unit.

⚠ Warning:

- The unit must not be installed by the user. Ask an installer or an authorized technician to install the unit. If the unit is installed improperly, electric shock, or fire may be caused.
- For installation work, follow the instructions in the Installation Manual and use tools and pipe components specifically made for use with refrigerant specified in the outdoor unit installation manual.
- The unit must be installed according to the instructions in order to minimize the risk of damage by earthquakes, typhoons, or strong winds. Improperly installed units may fall down and cause damage or injuries.
- The unit must be securely installed on a structure that can sustain its weight. If the unit is mounted on an unstable structure, it may fall down and cause damage or injuries.
- All electric work must be performed by a qualified technician according to local regulations and the instructions given in this manual. The unit must be powered by dedicated power lines and the correct voltage and circuit breakers must be used. Power lines with insufficient capacity or incorrect electrical work may result in electric shock or fire.

- Only the specified cables can be used for wiring. Connections must be made securely without tension on the terminals. If cables are connected or installed improperly, it may result in overheating or fire.
- Terminal block cover panel of the unit must be firmly fixed. If the cover panel is mounted improperly, dust and moisture may enter the unit, and it may cause electric shock or fire.
- Make sure to use accessories authorized by Mitsubishi Electric and ask an installer or an authorized technician to install them. If accessories are improperly installed, it may cause electric shock, or fire.
- Do not remodel the unit. Consult an installer for repairs. If alterations or repairs are not performed correctly, it may cause electric shock or fire.
- The user should never attempt to repair the unit or transfer it to another location. If the unit is installed improperly, it may cause electric shock or fire. If the FTC unit needs to be repaired or moved, ask an installer or an authorized technician.
- During installing a heat pump system, keep water from splashing on the FTC unit.
- When installing sensors and parts, do not expose the terminals.

1.1 Before installation (Environment)

⚠ Caution:

- Do not install the FTC unit in outdoor location as it is designed for indoor installation only. Otherwise electric shock or breakdown may be caused by water, wind or dust.
- Do not use the unit in an unusual environment. If the FTC unit is installed or exposed to steam, volatile oil (including machine oil), or sulfuric gas, or exposed to briny air, the internal parts can be damaged.
- Do not install the unit where combustible gases may leak, be produced, flow, or accumulate. If combustible gas accumulates around the unit, it may cause fire or explosion.

- When installing the unit in a hospital or in a building where communications equipment are installed, you may need to take measures to prevent noise and electronic interference. Inverters, home appliances, high-frequency medical equipment, and radio communications equipment can cause the FTC unit to malfunction or to breakdown. At the same time, the noise and electric interference from the FTC unit may disturb the proper operation of nearby medical equipment, and communications equipment.

1.2 Before installation or relocation

⚠ Caution:

- Be very careful when moving the units. Do not hold the packaging bands. Wear protective gloves to unpack and to move the units, in order to avoid injury to your hands.

- Be sure to safely dispose of the packaging materials. Packaging materials, such as nails and other metal or wooden parts may cause injuries.
- Do not wash the FTC unit. You may receive an electric shock.

1.3 Before electric work

⚠ Caution:

- Be sure to install a circuit breaker. If it is not installed, there may be a risk to get an electric shock.
- For the power lines, use standard cables of sufficient capacity. Otherwise, it may cause a short circuit, overheating, or fire.
- When installing the power lines, do not apply tension to the cables. The cables may be cut or overheated resulting in a fire.

- Make sure to ground the unit. Do not connect the ground wire to gas or water pipes, lightning rods, or telephone grounding lines. If the unit is not properly grounded, there may be a risk to get an electric shock.
- Make sure to use circuit breakers (ground fault interrupter, isolating switch (+B fuse), and molded case circuit breaker) with the specified capacity. If the circuit breaker capacity is larger than the specified capacity, breakdown or fire may result.

1.4 Before starting the test run

⚠ Caution:

- Turn on the main power switch of the outdoor unit more than 12 hours before starting operation. Starting operation immediately after turning on the power switch can severely damage the internal parts. Keep the main power switch turned on during the operation period.
- In heating mode, to avoid the heat emitters being damaged by excessively hot water, set the target flow temperature to a minimum of 2°C below the maximum allowable temperature of all the heat emitters. For Zone2, set the target flow temperature to a minimum of 5°C below the maximum allowable flow temperature of all the heat emitters in Zone2 circuit.
- Before starting operation, check that all protective parts are correctly installed. Make sure not to get injured by touching high voltage parts.
- Do not touch any switch with wet hands. There may be a risk to get an electric shock.
- After stopping operation, make sure to wait at least 5 minutes before turning off the main power. Otherwise, it may cause breakdown.

1.5 Electric booster and immersion heaters

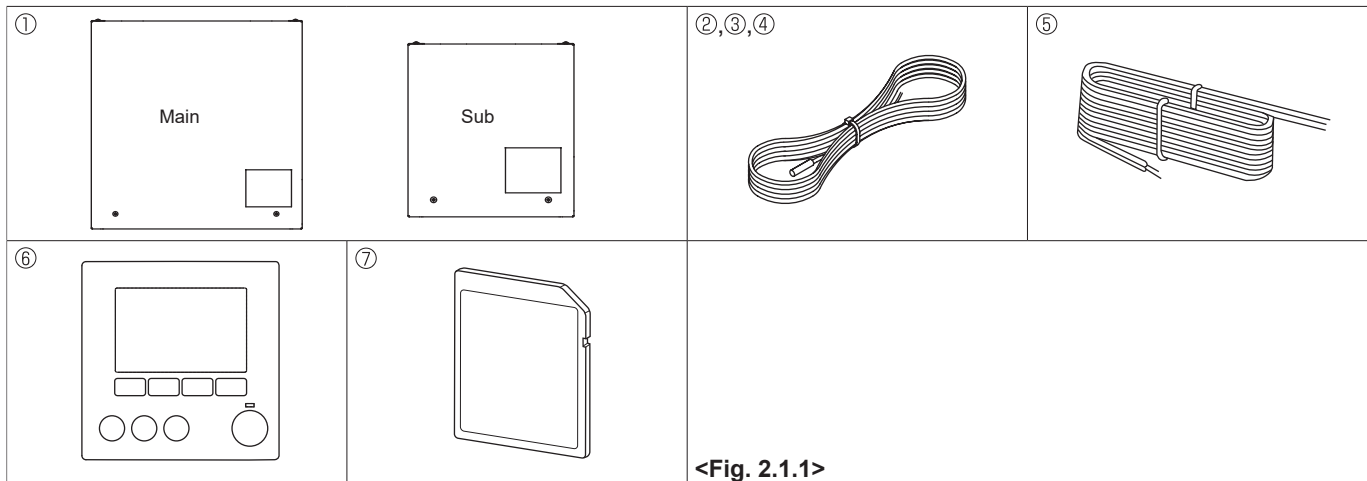
⚠ Warning:

- FTC has signal outputs for heaters however it can not isolate power to them in the event of overheating. All electrical heaters used on the water circuit must have.
 - a) A thermostat to prevent overheating.
 - b) A non-self resetting thermal mechanism to prevent overheating.

Abbreviations and glossary

Abbreviations/Word	Description
Ambient temperature	The outdoor temperature
Freeze stat. function	Heating to prevent water pipes freezing
ASHP/HP	Air source heat pump
COP	Coefficient of performance the efficiency of the heat pump
Cylinder unit	Indoor unvented DHW tank and component plumbing parts
Hydrobox	Indoor unit housing the component plumbing parts (NO DHW tank)
DeltaT	Difference in temperature between two system locations.
DHW mode	Domestic hot water heating mode for showers, sinks, etc
Flow temperature	Temperature at which water is delivered to the primary circuit
FTC (Main)	Flow temperature controller, the circuit board in charge of controlling the system, main board for multiple outdoor units control
FTC (Sub)	Sub board for multiple outdoor units control
Compensation curve mode	Space heating incorporating outdoor temperature compensation
Heating mode	Space heating through radiators or under floor heating
Cooling mode	Space cooling through radiators or under floor cooling
Legionella	Bacteria potentially found in plumbing, showers and water tanks that may cause Legionnaires disease
LP mode	Legionella prevention mode – a function on systems with tanks to prevent the growth of legionella bacterium
Packaged model	Plate heat exchanger (Refrigerant - Water) in the outdoor heat pump unit
Split model	Plate heat exchanger (Refrigerant - Water) in the indoor unit
TRV	Thermostatic radiator valve – a valve on the entrance or exit of the radiator panel controlling the heat output

2.1 Check the parts (Fig. 2.1.1)

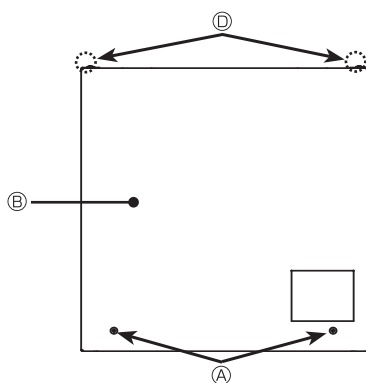


<Fig. 2.1.1>

The FTC unit should be supplied with the following parts.

	Part name	Wiring diagram symbol	Q'ty			
			PAC-IF071	PAC-IF072	PAC-IF073	PAC-SIF051
①	FTC (main) unit/FTC (sub) unit		1	1	1	1
②	Liquid refrigerant temp. thermistor (Lead wire: 5 m/Red, Connector: 3p/Yellow)	TH2	1	—	—	1
③	Flow water temp. and Return water temp. thermistor (Lead wire: Gray (Flow water temp.), Black(Return water temp.), Connector: 4p/Red)	THW1/2	1 (5 m/5 m)	1 (5 m/5 m)	1 (1.1 m/1.2 m)	1 (5 m/5 m)
④	Tank temp. thermistor (Lead wire: Blue (tank temp. thermistor upper), Gray (tank temp. thermistor lower), Connector: 4p/Blue)	THW5A/5B	—	—	1	—
⑤	Main remote controller cable (10 m)		1	1	1	1
⑥	Main remote controller		1	1	1	—
⑦	SD memory card		1	1	1	1

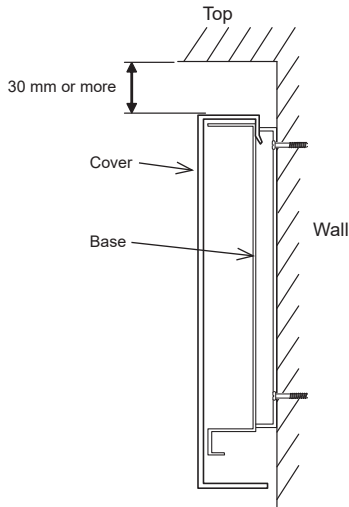
2.2 Choosing the FTC unit installation location



<Fig. 2.3.1>

- Do not install the FTC units outdoors as it is designed for indoor installation only. (The FTC circuit board and casing are not waterproof.)
- Avoid locations where the unit is exposed to direct sunlight or other sources of heat.
- Select a location where easy wiring access to the power source is available.
- Avoid locations where combustible gases may leak, be produced, flow, or accumulate.
- Select a level location that can bear the weight and vibration of the unit.
- Avoid locations where the unit is exposed to oil, steam, or sulfuric gas.
- Do not install in location that is hot or humid for long periods of time.

2.3 Installing the FTC unit (Fig. 2.3.1, 2.3.2, 2.3.3, 2.3.4)



<Fig. 2.3.2>
Service space

1. Remove 2 screws (A) Screw from FTC unit and remove the cover. (See Fig. 2.3.4)
2. Install the 4 screws (locally supplied) in the 4 holes (C) Hole.

Note: To prevent the unit from falling off the wall, select the appropriate screws (locally supplied) and secure the base horizontally to the appropriate wall location.

(See Fig. 2.3.2)

- (A) Screw
- (B) Cover
- (C) Hole for installation
- (D) Screw

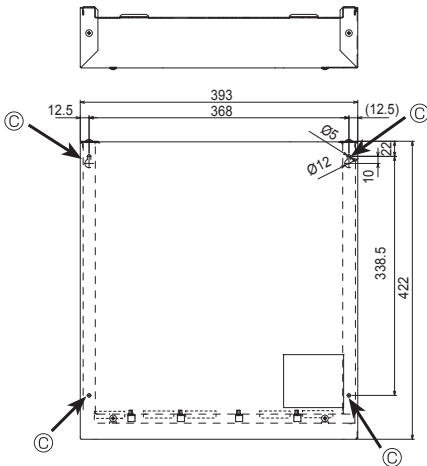
Note: Do not remove the screws (D) as the screws are the component parts of the cover and are not used for the installation of cover.

Weight	PAC-IF071B-E	3.7 kg
	PAC-IF072/073B-E	4.1 kg
	PAC-SIF051B-E	1.9 kg
Allowable ambient temperature	0 to 35°C	
Allowable ambient humidity	80% RH or less	

Optional extras

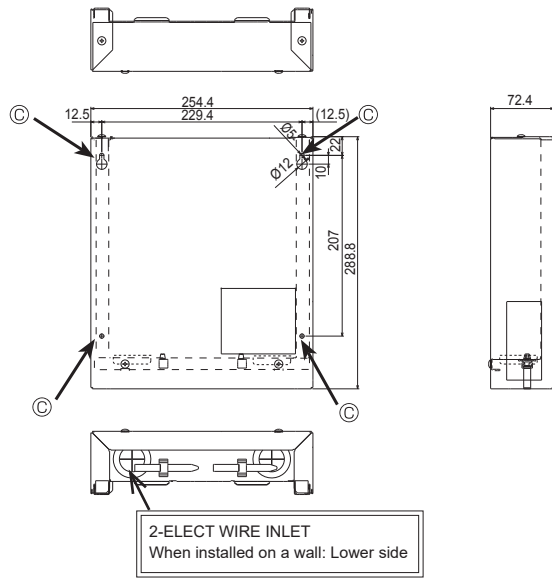
- Wireless Remote Controller PAR-WT50R-E
- Wireless Receiver PAR-WR51R-E
- Remote sensor PAC-SE41TS-E

<FTC (Main) unit>

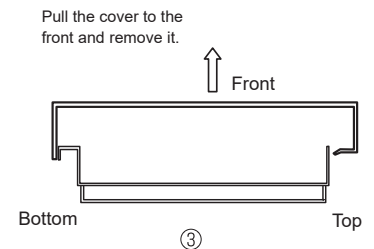
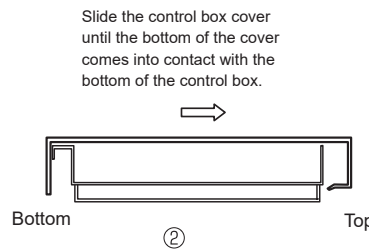
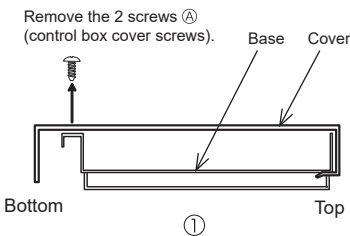


5-ELECT WIRE INLET
When installed on a wall: Lower side

<FTC (Sub) unit>



<Fig. 2.3.3>



<Fig. 2.3.4>

The FTC (Main) is designed for use with a number of heat pump systems. Please refer to the following table to find the relevant installation information for your system.

For multiple outdoor units control with FTC (Sub), see section 9.

3.1 First step (Electrical work)

Power supplies	System diagram	Reference section
FTC (Main) powered via outdoor unit		4.1 4.2
FTC (Main) powered by independent source		4.1 4.2

3.2 Second step (Outdoor unit type)

Outdoor unit type	System diagram	Thermistor	Reference section
Split		TH2: Liquid refrigerant temp.	4.4 5.2
Packaged		—	4.4 5.2

* PAC-IF072/073B-E is not available for Split-type system.

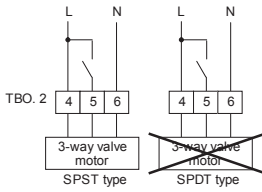
3.3 Third step (Functions setting)

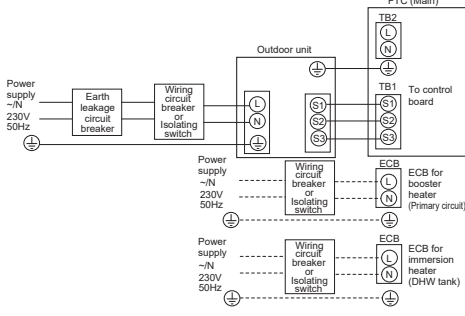
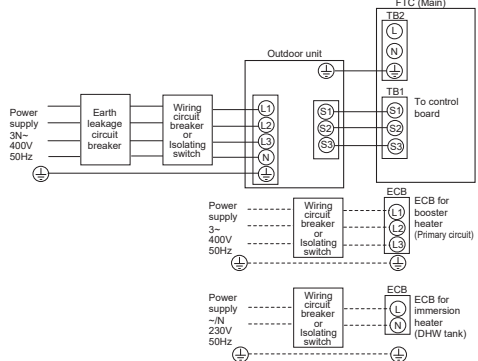
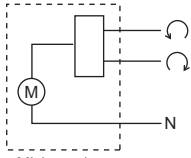
DHW tank	Immersion heater	Booster heater	BH function	System diagram	Thermistor	Reference section	Remarks
Present	Absent	Present	For heating and DHW		THW1: Flow water temp. THW2: Return water temp. THW5B: Tank water temp.	4.4 4.5 5.3	
Present	Present	Present	For heating and DHW		THW1: Flow water temp. THW2: Return water temp. THW5B: Tank water temp.	4.4 4.5 5.3	
Present	Absent	Present	For heating only		THW1: Flow water temp. THW2: Return water temp. THW5B: Tank water temp.	4.4 4.5 5.3	1. 'Legionella Prevention Mode' cannot be selected in this system.
Present	Absent	Absent	—		THW1: Flow water temp. THW2: Return water temp. THW5B: Tank water temp.	4.4 4.5 5.3	1. 'Legionella Prevention Mode' cannot be selected in this system. 2. Please make sure water circuit not to get frozen during defrost.
Present	Present	Present	For heating only		THW1: Flow water temp. THW2: Return water temp. THW5B: Tank water temp.	4.4 4.5 5.3	
Present	Present	Absent	—		THW1: Flow water temp. THW2: Return water temp. THW5B: Tank water temp.	4.4 4.5 5.3	
Absent	Absent	Present	—		THW1: Flow water temp. THW2: Return water temp.	4.4 4.5 5.3	
Absent	Absent	Absent	—		THW1: Flow water temp. THW2: Return water temp.	4.4 4.5 5.3	1. Please make sure water circuit not to get frozen during defrost.

* The use of two 2-way valves can perform same function as a 3-way valve.

3.4 Fourth step (Functions setting)

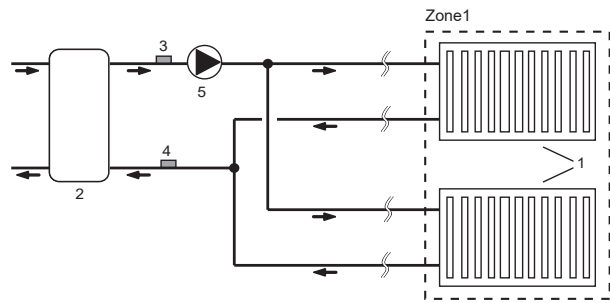
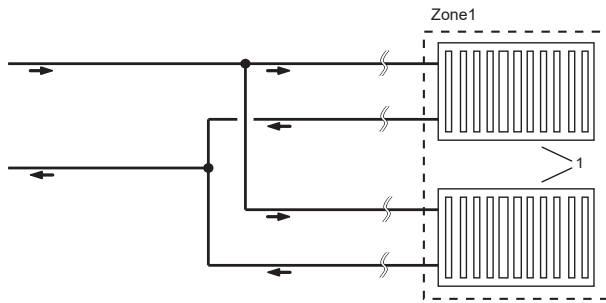
* Make sure to check the followings for your safety when designing a system. These are the minimum requirement for the safe use of FTC unit.

Parts name	Requirement																																	
Flow switch	It is required to protect system from the effects of insufficient flow.																																	
Flow sensor	It is required to detect an error in flow rate. (The operation is validated with SIKA VVX20.) It is required for Energy monitor function.																																	
Strainer /Magnetic filter (water circuit)	Provide it as required to protect parts from damages caused by iron particles/water/contamination (e.g. the position before pump and return part from emitters).																																	
Pressure relief valve (Primary circuit side) (Sanitary water side)	It is required to protect system from reaching high pressure. Select the operating pressure depending on water pressure in the circuit in normal use. Note: Follow the national regulations.																																	
3-way valve	<p>Current: 0.1 A Max. (If over 0.1 A you must use a relay) Power supply: 230 V AC Connect earth cable, if there is one. Type: SPST Note: SPDT type can NOT be used.</p> 																																	
2-way valve	<p>Current: 0.1 A Max. (If over 0.1 A you must use a relay) Power supply: 230 V AC Connect earth cable, if there is one. Type: Normally closed Select the 2-way valve that slowly opens and shuts off to prevent water hammer. A by-pass valve or circuit should be installed between pump and 2-way valve for safety (to release pressure when the both 2-way valves are closed). Select a 2-way valve equipped with manual override, which is necessary for topping up or draining of water.</p>																																	
Water circulation pump	<p>Current: 1.0A Max., Power supply: 230 V AC When connecting a pump with an electric current of ≥ 1 A or multiple pumps, please note the following.</p> <ol style="list-style-type: none"> Use (a) relay(s). When power is supplied from outdoor unit, TOTAL current (including the other parts) requirement MUST be ≤ 3 A. (otherwise, the fuse on the outdoor unit PCB will blow.) When independent power supplies (i.e. from the FTC unit itself) , total current for the pump(s) is ≤ 4 A. (otherwise, the fuse on the FTC PCB will blow.) <p>Connect earth cable, if there is one. Adjust the pump speed setting so that the flow rate in the primary circuit is appropriate for the outdoor unit installed see the table and figures below.</p> <table border="1" data-bbox="300 1321 880 1713"> <thead> <tr> <th colspan="2">Outdoor heat pump unit</th> <th>Water flow rate range [L/min]</th> </tr> </thead> <tbody> <tr> <td rowspan="5">Packaged model</td> <td>PUZ-WM50</td> <td>6.5 to 14.3</td> </tr> <tr> <td>PUZ-WM60</td> <td>8.6 to 17.2</td> </tr> <tr> <td>PUZ-WM85</td> <td>10.8 to 24.4</td> </tr> <tr> <td>PUZ-WM112</td> <td>14.4 to 32.1</td> </tr> <tr> <td>PUZ-HWM140</td> <td>17.9 to 40.1</td> </tr> <tr> <td rowspan="10">Split model</td> <td>SUZ-SWM40</td> <td>6.5 to 11.4</td> </tr> <tr> <td>SUZ-SWM60</td> <td>7.2 to 17.2</td> </tr> <tr> <td>SUZ-SWM80</td> <td>7.8 to 21.5</td> </tr> <tr> <td>PUHZ-SW75</td> <td>10.2 to 22.9</td> </tr> <tr> <td>PUHZ-SW100</td> <td>14.4 to 32.1</td> </tr> <tr> <td>PUHZ-SW120</td> <td>20.1 to 36.9</td> </tr> <tr> <td>PUHZ-SHW80</td> <td>10.2 to 22.9</td> </tr> <tr> <td>PUHZ-SHW112</td> <td>14.4 to 32.1</td> </tr> <tr> <td>PUHZ-SHW140</td> <td>17.9 to 36.9</td> </tr> </tbody> </table> <p>* The water velocity in pipes should be kept within certain limits of material to avoid erosion corrosion and excessive noise generation. (e.g. Copper pipe: 1.5 m/s)</p>	Outdoor heat pump unit		Water flow rate range [L/min]	Packaged model	PUZ-WM50	6.5 to 14.3	PUZ-WM60	8.6 to 17.2	PUZ-WM85	10.8 to 24.4	PUZ-WM112	14.4 to 32.1	PUZ-HWM140	17.9 to 40.1	Split model	SUZ-SWM40	6.5 to 11.4	SUZ-SWM60	7.2 to 17.2	SUZ-SWM80	7.8 to 21.5	PUHZ-SW75	10.2 to 22.9	PUHZ-SW100	14.4 to 32.1	PUHZ-SW120	20.1 to 36.9	PUHZ-SHW80	10.2 to 22.9	PUHZ-SHW112	14.4 to 32.1	PUHZ-SHW140	17.9 to 36.9
Outdoor heat pump unit		Water flow rate range [L/min]																																
Packaged model	PUZ-WM50	6.5 to 14.3																																
	PUZ-WM60	8.6 to 17.2																																
	PUZ-WM85	10.8 to 24.4																																
	PUZ-WM112	14.4 to 32.1																																
	PUZ-HWM140	17.9 to 40.1																																
Split model	SUZ-SWM40	6.5 to 11.4																																
	SUZ-SWM60	7.2 to 17.2																																
	SUZ-SWM80	7.8 to 21.5																																
	PUHZ-SW75	10.2 to 22.9																																
	PUHZ-SW100	14.4 to 32.1																																
	PUHZ-SW120	20.1 to 36.9																																
	PUHZ-SHW80	10.2 to 22.9																																
	PUHZ-SHW112	14.4 to 32.1																																
	PUHZ-SHW140	17.9 to 36.9																																

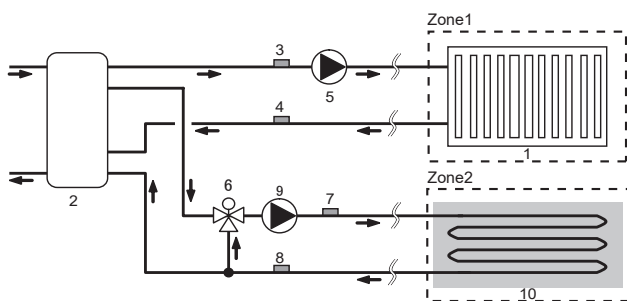
Parts name	Requirement																								
Booster heater	<p>General</p> <ul style="list-style-type: none"> * Consider necessity and capacity of booster heater to meet the following points. <ol style="list-style-type: none"> (1) Heating capacity and flow water temperature should always be sufficient. (2) System can increase the temperature of the stored water in tank to inhibit legionella bacterium growth. (Note) System without neither booster heater or immersion heater, 'Legionella Prevention Mode' is NOT available. (3) Water circuit should not be frozen during defrost operation. 																								
	<p>Control Power for Contactor</p> <p>Current: 0.5A Max. , Power supply: 230V AC * Use a relay.</p>																								
	<p>Separate power for Heater</p> <p>Install an earth leakage circuit breaker (ECB) for heater, separate from control power (See Fig.1 and Fig.2). * When using two booster heaters, booster heater 1 capacity must be less than that of booster heater 2. When using a single booster heater, connect to BH1 (TBO.5 5-6 (OUT6)) , and turn the Dip SW2-3 to ON. (Booster heater capacity restriction)</p> <div style="display: flex; justify-content: space-around;"> <div style="text-align: center;">  <p><Fig. 1 (1 phase)></p> </div> <div style="text-align: center;">  <p><Fig. 2 (3 phase)></p> </div> </div> <p>Heater capacity/Breaker/wiring (recommended)</p> <p><1 Phase></p> <table border="1" style="width: 100%;"> <thead> <tr> <th>Description</th> <th>Power supply</th> <th>Total capacity (BH1 + BH2)</th> <th>Breaker</th> <th>Wiring</th> </tr> </thead> <tbody> <tr> <td rowspan="2">Booster heater (Primary circuit)</td> <td>~N 230V 50Hz</td> <td>2 kW (2 kW + 0 kW)</td> <td>16 A</td> <td>2.5 mm²</td> </tr> <tr> <td>50Hz</td> <td>6 kW (2 kW + 4 kW)</td> <td>32 A</td> <td>6.0 mm²</td> </tr> </tbody> </table> <p><3 Phase></p> <table border="1" style="width: 100%;"> <thead> <tr> <th>Description</th> <th>Power supply</th> <th>Total capacity (BH1 + BH2)</th> <th>Breaker</th> <th>Wiring</th> </tr> </thead> <tbody> <tr> <td>Booster heater (Primary circuit)</td> <td>3~ 400V 50Hz</td> <td>9 kW (3 kW + 6 kW)</td> <td>16 A</td> <td>2.5 mm²</td> </tr> </tbody> </table> <p>* When installing a booster heater with the capacity of bigger than shown above, select an appropriate size breaker and cable (diameter) based on the maximum possible electric current.</p>	Description	Power supply	Total capacity (BH1 + BH2)	Breaker	Wiring	Booster heater (Primary circuit)	~N 230V 50Hz	2 kW (2 kW + 0 kW)	16 A	2.5 mm ²	50Hz	6 kW (2 kW + 4 kW)	32 A	6.0 mm ²	Description	Power supply	Total capacity (BH1 + BH2)	Breaker	Wiring	Booster heater (Primary circuit)	3~ 400V 50Hz	9 kW (3 kW + 6 kW)	16 A	2.5 mm ²
	Description	Power supply	Total capacity (BH1 + BH2)	Breaker	Wiring																				
Booster heater (Primary circuit)	~N 230V 50Hz	2 kW (2 kW + 0 kW)	16 A	2.5 mm ²																					
	50Hz	6 kW (2 kW + 4 kW)	32 A	6.0 mm ²																					
Description	Power supply	Total capacity (BH1 + BH2)	Breaker	Wiring																					
Booster heater (Primary circuit)	3~ 400V 50Hz	9 kW (3 kW + 6 kW)	16 A	2.5 mm ²																					
<p>Safety device</p> <ol style="list-style-type: none"> (1) Use an overheat protection thermostat (manual reset type) (to detect unusual temperature increase/heating up without water). Protection device operating temperature must be above 80°C. Protection device should not operate quickly, but water circuit must not boil even when heater(s) overshoot. (Reference value) Thermostat operation temperature used in our Cylinder unit and Hydrobox : 90°C ± 4°C (2) Connect a pressure relief valve on the primary circuit side. 																									
Immersion heater	<p>General</p> <ul style="list-style-type: none"> * Consider necessity and capacity of immersion heater to meet the following points. <ol style="list-style-type: none"> (1) Heating capacity and flow water temperature should always be sufficient. (2) System can increase the temperature of the stored water in tank to inhibit legionella bacterium growth. (Note) System without neither booster heater or immersion heater can not select 'Legionella Prevention Mode'. 																								
	<p>Control Power for Contactor</p> <p>Current: 0.5A Max. , Power supply: 230V AC * Use a relay.</p>																								
	<p>Separate power for heater</p> <p>Install an earth leakage circuit breaker (ECB) for heater, separate from control power (See Fig.1 and Fig.2). * ECB is built-in in PAC-IF072/073B-E. Heater capacity/Breaker/wiring (recommended)</p> <p><1 Phase></p> <table border="1" style="width: 100%;"> <thead> <tr> <th>Description</th> <th>Power supply</th> <th>Capacity</th> <th>Breaker</th> <th>Wiring</th> </tr> </thead> <tbody> <tr> <td>Immersion heater (DHW tank)</td> <td>~N 230V 50Hz</td> <td>3 kW</td> <td>16 A</td> <td>2.5 mm²</td> </tr> </tbody> </table> <p>* When installing an immersion heater with the capacity of bigger than shown above, select an appropriate size breaker and cable (diameter) based on the maximum possible electric current.</p>	Description	Power supply	Capacity	Breaker	Wiring	Immersion heater (DHW tank)	~N 230V 50Hz	3 kW	16 A	2.5 mm ²														
	Description	Power supply	Capacity	Breaker	Wiring																				
Immersion heater (DHW tank)	~N 230V 50Hz	3 kW	16 A	2.5 mm ²																					
<p>Safety device</p> <ol style="list-style-type: none"> (1) Install the thermistor THW5B (optional parts PAC-TH011TK2-E(5 m) or PAC-TH011TKL2-E(30 m)) on the DHW tank. Note that PAC-IF073B-E comes with THW5B. (Microcomputer detecting temperature for protection: 80°C) (2) Use a built-in direct cut-off thermostat (manual reset type). Protection device operating temperature must be above 80°C. Protection device should not operate quickly, but water circuit must not boil even when a heater overshoots. (Reference value) Thermostat operation temperature used in our Cylinder unit : 85°C ± 5°C (3) Connect a pressure relief valve on the sanitary water side. 																									
Mixing valve	<p>Current: 0.1 A Max. (If over 0.1 A you must use a relay) Power supply: 230V AC Connect earth cable, if there is one. Type: Refer to the right figure.</p> <div style="text-align: center;">  <p>Mixing valve</p> </div>																								
Expansion Vessel (Primary circuit side) Expansion Vessel (Sanitary water side)	<p>When the water circuit is closed, select the expansion vessel according to water quantity of the water circuit. * Follow the national regulations.</p>																								
Limits of TOTAL electric current when connecting local supply parts	<p>Option 1. (Power supply from outdoor unit) TOTAL current requirement MUST be ≤ 3A. (otherwise, the fuse on the outdoor unit PCB will blow.) Option 2. (Independent power supply (i.e. from the FTC unit itself)) TOTAL current of the pump(s) MUST be ≤ 4A. The total current allowed for parts except pumps is ≤ 3A. (otherwise, the fuse on the FTC PCB will blow.)</p>																								

3.5 Local system

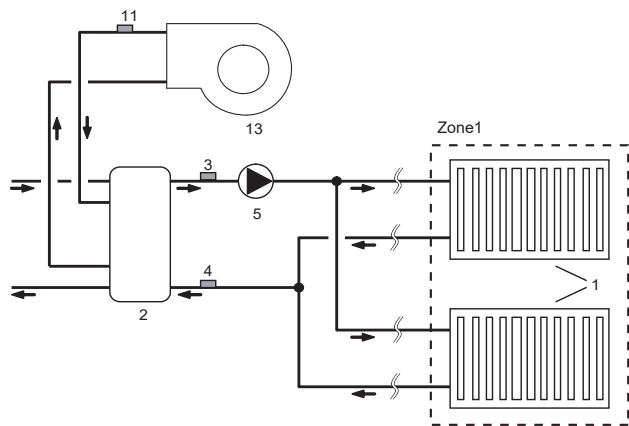
1-zone temperature control



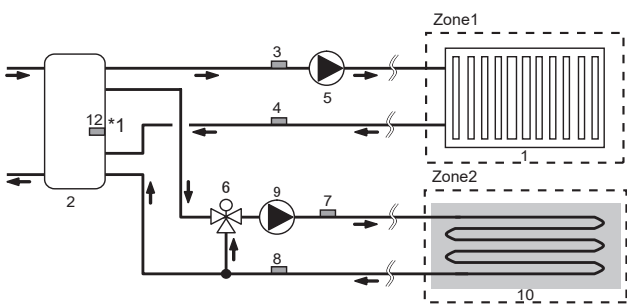
2-zone temperature control



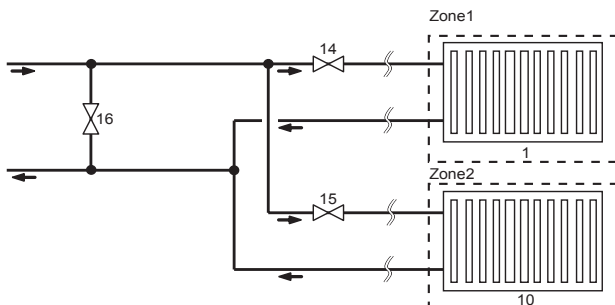
1-zone temperature control with boiler



2-zone temperature control & Buffer tank control



1-zone temperature control (2-zone valve ON/OFF control)



- 1. Zone1 heat emitters (e.g. radiator, fan coil unit) (local supply)
 - 2. Mixing tank (local supply)
 - 3. Zone1 flow water temp. thermistor (THW6)
 - 4. Zone1 return water temp. thermistor (THW7)
 - 5. Zone1 water circulation pump (local supply)
 - 6. Motorized mixing valve (local supply)
 - 7. Zone2 flow water temp. thermistor (THW8)
 - 8. Zone2 return water temp. thermistor (THW9)
 - 9. Zone2 water circulation pump (local supply)
- } Optional part : PAC-TH011-E

- 10. Zone2 heat emitters (e.g. underfloor heating) (local supply)
 - 11. Boiler flow water temp. thermistor (THWB1)
 - 12. Mixing tank thermistor (THW10) *1
 - 13. Boiler (local supply)
 - 14. Zone1 2-way valve (local supply)
 - 15. Zone2 2-way valve (local supply)
 - 16. Bypass valve (local supply)
- } Optional part : PAC-TH012HT(L)-E
- *1 ONLY Buffer tank control (heating/cooling) applies to "Smart grid ready".

3.6 Minimum amount of water required in the space heating/cooling circuit

Outdoor heat pump unit		*Total required water amount [L]	
		Average / Warmer climate**	Colder climate**
Packaged model	PUZ-WM50	7	29
	PUZ-WM60	9	34
	PUZ-WM85	12	37
	PUZ-WM112	16	48
	PUZ-HWM140	20	60
Split model	SUZ-SWM40	6	17
	SUZ-SWM60	7	26
	SUZ-SWM80	9	34
	PUHZ-SW75	11	32
	PUHZ-SW100	14	43
	PUHZ-SW120	17	52
	PUHZ-SW160	23	69
	PUHZ-SW200	29	86
	PUHZ-SHW80	11	34
	PUHZ-SHW112	16	48
	PUHZ-SHW140	20	60
	PUHZ-SHW230	33	99

<Table 3.6.1>

* If there is a bypass circuit, above table means minimum water amount in case of bypass.

** Please refer to 2009/125/EC: Energy-related Products Directive and Regulation (EU) No 813/2013 to confirm your climate zone.

Case 1. No division between primary and secondary circuit

- Please ensure the required water amount according to the table 3.6.1 by water pipe and radiator or underfloor heating.

Case 2. Separate primary and secondary circuit

- If the interlock operation of primary and secondary pump is not available, please ensure required additional water in only primary circuit according to the table 3.6.1.

- If the interlock operation of primary and secondary pump is available, please ensure total water amount of primary and secondary circuit according to the table 3.6.1.

In case of the shortage of required water amount, please install buffer tank.

3.7 Energy monitor *3

End user can monitor accumulated*1 'Consumed electric energy' and 'Delivered heat energy' in each operation mode*2 on the main remote controller.

*1 Monthly and Year to date

*2 - DHW operation

- Space heating
- Space cooling

*3 Not available during Multiple outdoor unit control.

Refer to "7.2 Main remote controller" for how to check the energy, and "5.1 DIP switch functions" for the details on DIP-SW setting.

Either one of the following two method is used for monitoring.

Note: The method 1 should be used as a guide. If a certain accuracy is required, the method 2 should be used.

1. Calculation internally

Electricity consumption is calculated internally based on the energy consumption of outdoor unit, electric heater, water pump(s) and other auxiliaries.

Delivered heat is calculated internally by multiplying delta T (Flow and Return temp.) and flow rate measured by the locally supplied sensors.

Set the electric heater capacity and water pump(s) input according to indoor unit model and specs of additional pump(s) supplied locally. (Refer to the menu tree in "7.2 Main remote controller")

Booster heater1	Booster heater2	Immersion heater	Pump1	Pump2	Pump3
2kW*1	4kW*1	0kW*1	*** *1	0W*1	0W*1

<Table 3.7>

*1 Be sure to change the setting corresponding to the specification of locally supplied auxiliaries such as electric heater and pump.

When anti-freeze solution (propylene glycol) is used for primary water circuit, set the delivered energy adjustment if necessary.

For further detail of above, refer to "7.2 Main remote controller".

2. Actual measurement by external meter (locally supplied)

FTC has external input terminals for 2 'Electric energy meters' and a 'Heat meter'.

If two 'Electric energy meters' are connected, the 2 recorded values will be combined at the FTC and shown on the main remote controller.

(e.g. Meter 1 for H/P power line, Meter 2 for heater power line)

Refer to the [Signal inputs] section in "4.5 Connecting inputs/outputs" for more information on connectable electric energy meter and heat meter.

4.1 Electrical connection

All electrical work should be carried out by a suitably qualified technician. Failure to comply with this could lead to electrocution, fire, and death. It will also invalidate product warranty. All wiring should be according to national wiring regulations.

For multiple outdoor units control with FTC (Sub), see section 9.

FTC (Main) can be powered in two ways.

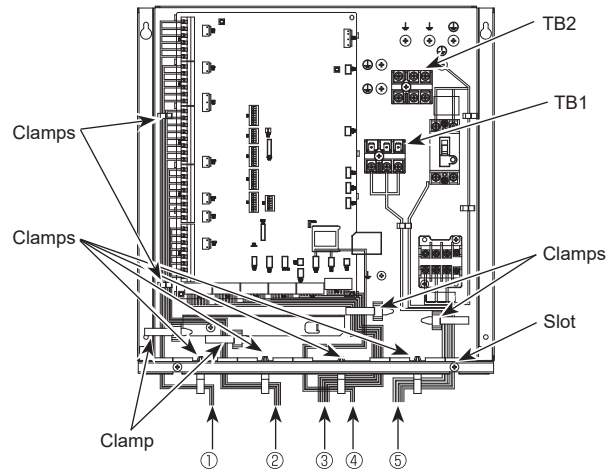
1. Power cable is run from the outdoor unit to FTC (Main).
2. FTC (Main) has independent power source.

Connections should be made to the terminals indicated in the following figures depending on the phase.

Breaker abbreviation	Meaning
ECB	Earth leakage circuit breaker for immersion heater
TB1	Terminal bed 1
TB2	Terminal bed 2

Immersion heater should be connected independently from one another to dedicated power supplies.

- Notes:**
1. Do not run the low voltage cables through a slot that the high voltage cables go through.
 2. Do not run other cables except low voltage cables through a slot that the wireless receiver's cable goes through.
 3. Do not bundle power cables together with other cables.
 4. Bundle cables as figure above by using clamps.

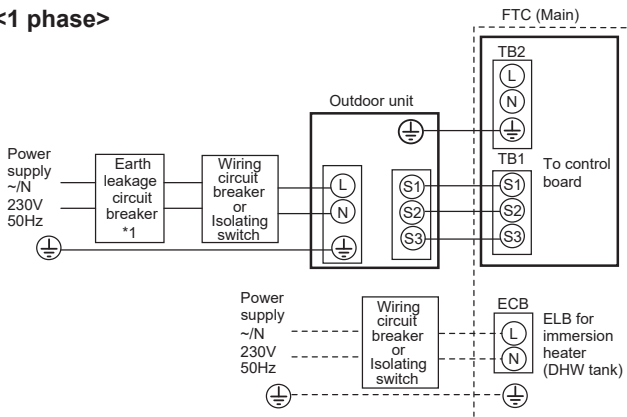


- ① High voltage cables (OUTPUT)
- ② High voltage cables (OUTPUT)
- ③ Low voltage cables (INPUT) and wireless receiver's cable
- ④ Thermistor cables
- ⑤ Power cables

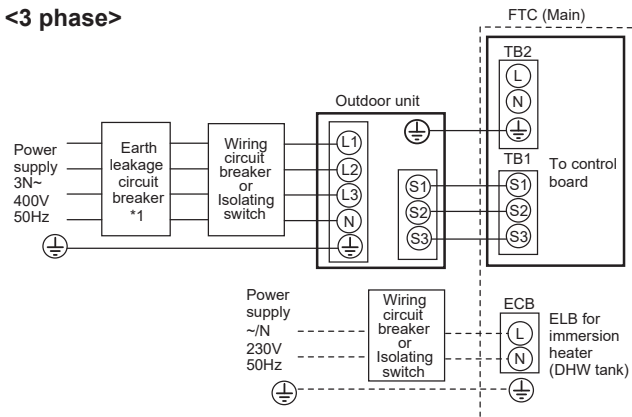
<Fig. 4.1.1> Wiring for PAC-IF07*B-E

Option 1: FTC (Main) powered via outdoor unit

<1 phase>



<3 phase>



□ : PAC-IF071B-E

□ : PAC-IF072/073B-E

<Fig. 4.1.2>

Electrical connections 1 phase/3 phase

- *1. If the installed earth leakage circuit breaker does not have an over-current protection function, install a breaker with that function along the same power line. A breaker with at least 3.0 mm contact separation in each pole shall be provided. Use earth leakage breaker (NV). The breaker shall be provided to ensure disconnection of all active phase conductors of the supply.

Note: In accordance with IEE regulations the circuit breaker/isolating switch located on the outdoor unit should be installed with lockable devices (health and safety).

Wiring No. Wiring size (mm ²)	FTC (Main) - Outdoor unit	*2	3 × 1.5 (polar)
	FTC (Main) - Outdoor unit earth	*2	1 × Min. 1.5
Circuit rating	FTC (Main) - Outdoor unit S1 - S2	*3	230V AC
	FTC (Main) - Outdoor unit S2 - S3	*3	24V DC

*2. Max. 45 m

If 2.5 mm² used, Max. 50 m

If 2.5 mm² used and S3 separated, Max. 80 m

*3. The values given in the table above are not always measured against the ground value.

- Notes:**
1. Wiring size must comply with the applicable local and national codes.
 2. FTC (Main)/outdoor unit connecting cords shall not be lighter than polychloroprene sheathed flexible cord. (Design 60245 IEC 57)
FTC (Main) power supply cords shall not be lighter than polychloroprene sheathed flexible cord. (Design 60227 IEC 53)
 3. Install an earth longer than other cables.
 4. Please keep enough output capacity of power supply for each individual heater. Insufficient power supply capacity might cause chattering.

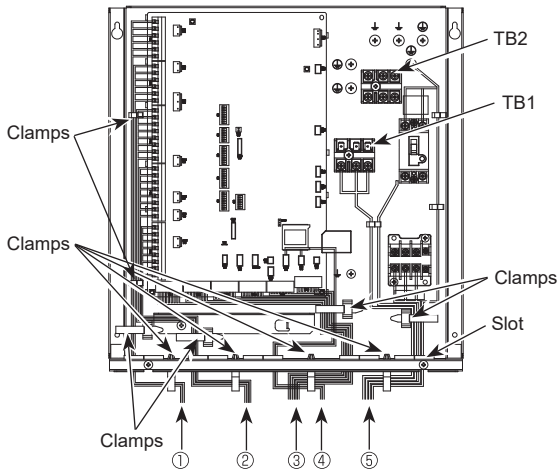
4 Electrical work

Flow temp. controller

Option 2: FTC (Main) powered by independent source

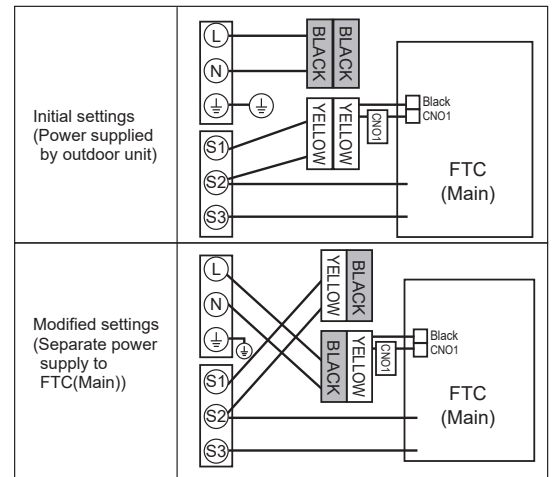
If FTC (Main) and outdoor units have separate power supplies, the following requirements MUST be carried out:

- **FTC (Main) unit electrical box connector connections changed.** (see Fig. 4.1.3)
 - **Outdoor unit DIP switch settings changed to SW8-3 ON.**
 - **Turn on the DIP switch before the FTC (Main).**
 - **Power by independent source is not available for particular models of outdoor unit model.**
- For more detail, refer to the connecting outdoor unit installation manual.



<Fig. 4.1.4> Wiring for PAC-IF07*B-E

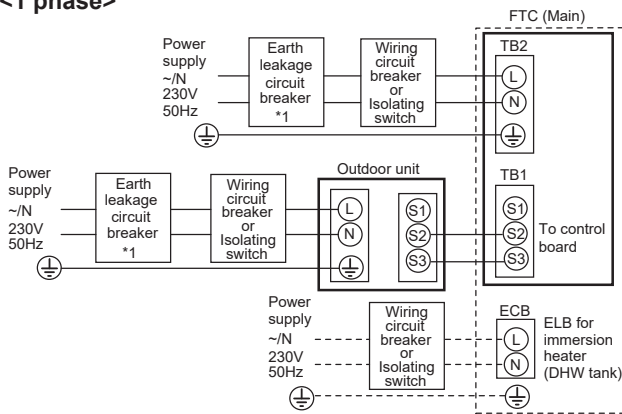
- Notes: 1. Do not run the low voltage cables through a slot that the high voltage cables go through.
 2. Do not run other cables except low voltage cables through a slot that the wireless receiver's cable goes through.
 3. Do not bundle power cables together with other cables.
 4. Bundle cables as figure above by using clamps.



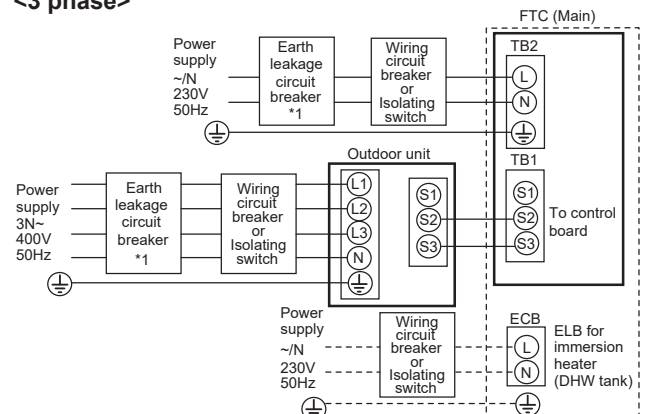
<Fig. 4.1.3>

- ① High voltage cables (OUTPUT)
- ② High voltage cables (OUTPUT)
- ③ Low voltage cables (INPUT) and wireless receiver's cable
- ④ Thermistor cables
- ⑤ Power cables

<1 phase>



<3 phase>



□ : PAC-IF071B-E

□ : PAC-IF072/073B-E

<Fig. 4.1.5>

Electrical connections 1 phase/3 phase

*1. If the installed earth leakage circuit breaker does not have an over-current protection function, install a breaker with that function along the same power line. A breaker with at least 3.0 mm contact separation in each pole shall be provided. Use earth leakage breaker (NV).

The breaker shall be provided to ensure disconnection of all active phase conductors of the supply.

Note: In accordance with IEE regulations the circuit breaker/isolating switch located on the outdoor unit should be installed with lockable devices (health and safety).

FTC (Main) power supply		~N 230 V 50 Hz
FTC (Main) input capacity Main switch (Breaker)		*1 16 A
Wiring No. x size (mm ²)	FTC (Main) power supply	2 x Min. 1.5
	FTC (Main) power supply earth	1 x Min. 1.5
Circuit rating	FTC (Main) - Outdoor unit	*2 2 x Min. 0.3
	FTC (Main) - Outdoor unit earth	—
Circuit rating	FTC (Main) L - N	*3 230V AC
	FTC (Main) - Outdoor unit S1 - S2	*3 —
	FTC (Main) - Outdoor unit S2 - S3	*3 24V DC

*2. Max. 120 m

*3. The values given in the table above are not always measured against the ground value.

- Notes: 1. Wiring size must comply with the applicable local and national codes.
 2. FTC (Main) unit/outdoor unit connecting cords shall not be lighter than polychloroprene sheathed flexible cord. (Design 60245 IEC 57)
 FTC (Main) unit power supply cords shall not be lighter than polychloroprene sheathed flexible cord. (Design 60227 IEC 53)
 3. Install an earth longer than other cables.
 4. Please keep enough output capacity of power supply for each individual heater. Insufficient power supply capacity might cause chattering.

4.2 Connecting the main remote controller

4.2.1 Connect the main remote controller cable to FTC (Main)

Connect the main remote controller cable to 1 and 2 on the terminal block (TBI. 6) on the FTC (Main) controller. <Fig. 4.2.1>

Wiring wire No. × size (mm²): 2 × 0.3 (non polar)

The 10 m wire is attached as an accessory. Max. 500 m

Wiring size must comply with the applicable local and national codes.

Circuit rating: 12V DC

Circuit rating is NOT always against the ground.



<Fig. 4.2.1>

Location to place the main remote controller

When using the Remote controller options (refer to section 4.3), place the main remote controller on appropriate location that meets the following points to detect room temperature.

- Do not place the main remote controller in the periphery of a door or a window.
- Do not place the main remote controller near heat or cold sources, such as a radiator or the like.

Notes:

Wiring for main remote controller cable shall be (5 cm or more) apart from power source wiring so that it is not influenced by electric noise from power source wiring. (Do not insert main remote controller cable and power source wiring in the same conduit.) (Refer to Fig. 4.1.1)

Stranded wire should be processed with insulation-covered bar terminal (DIN46228-4 standard compatible type).

4.2.2 Installing the main remote controller

1. The main remote controller can be installed either in the switch box or directly on the wall. Perform the installation properly according to the method.

- (1) Secure clearances shown in <Fig. 4.2.2> regardless of whether installing the main remote controller either directly on the wall or in the switch box.
- (2) Prepare the following items in the field.

- Double switch box
- Thin metal conduit
- Locknut and bushing
- Cable cover
- Wall plug

2. Drill an installation hole in the wall.

- Installation using a switch box
 - Drill a hole in the wall for the switch box, and install the switch box in the hole.
 - Fit the conduit tube into the switch box.
- Direct wall installation
 - Drill a cable access hole and thread the main remote controller cable through it.

⚠ Caution:

To prevent entry of dew, water, and insects, seal the gap between the cable and the hole through which the cable is threaded with putty. Otherwise, electric shock, fire, or failure may result.

3. Have the main remote controller ready.

Remove the bottom case from the main remote controller.

4. Connect the main remote controller cable to the terminal block on the bottom case. Modify the main remote controller cable as shown in <Fig. 4.2.5>, and thread the cable from behind the bottom case.

Completely thread the cable to the front so that the unsheathed part of the cable cannot be seen behind the bottom case.

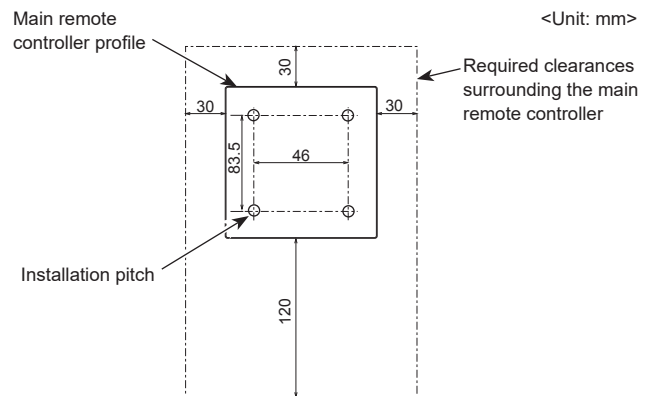
Connect the main remote controller cable to the terminal block on the bottom case.

- Direct wall installation
 - Seal the gap between the cable and the hole through which the cable is threaded.

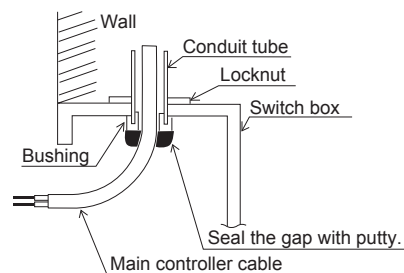
⚠ Caution

To prevent electric shock or failure, keep the sheath ends or any other foreign objects out of the terminal block.

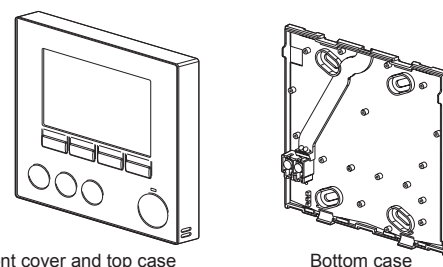
Do not use ring terminals to connect the wires to the terminal block on the bottom case. The terminals will come in contact with the control board and the front cover, which will result in failure.



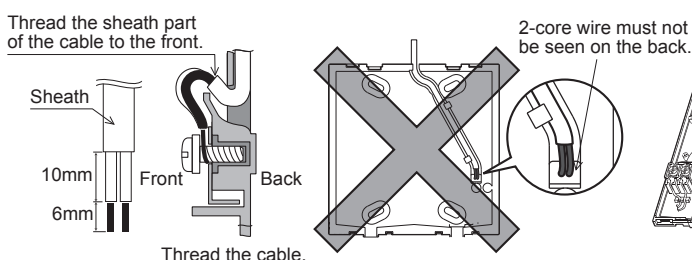
<Fig. 4.2.2>



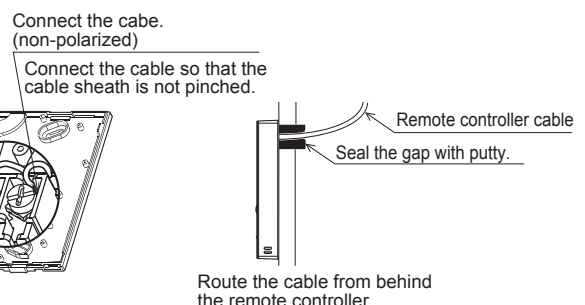
<Fig. 4.2.3>



<Fig. 4.2.4>

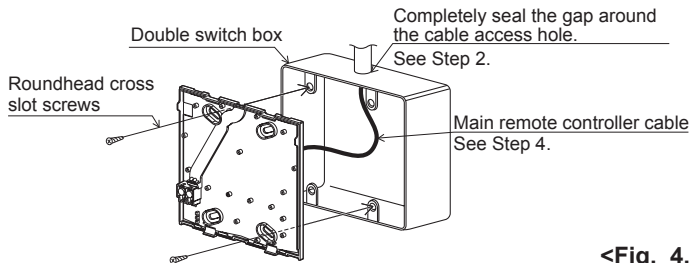


<Fig. 4.2.5>



5. Install the bottom case.

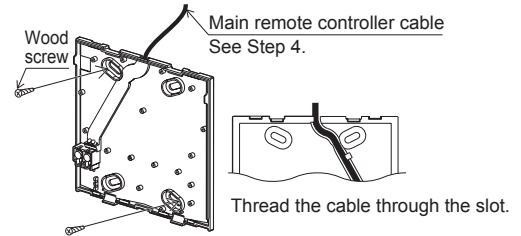
- Installation using a switch box
 - When installing the bottom case in the switch box, secure at least two corners of the switch box with screws.



<Fig. 4.2.6>

■ Direct wall installation

- Thread the cable through the slot provided.
- When mounting the bottom case on the wall, secure at least two corners of the main remote controller with screws.
- To prevent the bottom case from lifting, use top-left bottom-right corners of the main remote controller (viewed from the front) to secure the bottom case to the wall with wall plugs or the like.

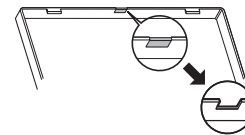


⚠ Caution:

To avoid causing deformation or cracks to the main remote controller, do not overtighten the screws and make an additional installation hole(s).

6. Cut out the cable access hole.

- Direct wall installation
 - Cut out the knockout hole (indicated with grey in <Fig. 4.2.7>) in the front cover by knife or nipper.
 - Thread the main remote controller cable from the slot behind the bottom case through this access hole.

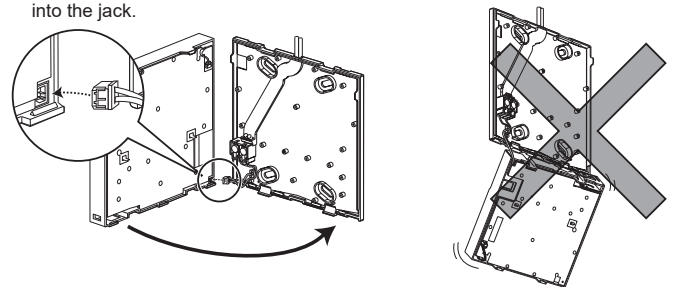


<Fig. 4.2.7>

7. Plug the lead wire cable into the top case.

- Plug the lead wire cable coming from the bottom case into the top case.

Securely plug the connector into the jack.

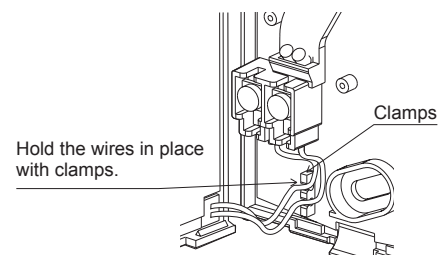


<Fig. 4.2.8>

8. Fit the lead wires into the clamps.

⚠ Caution:

Hold the wires in place with clamps to prevent excessive strain from being applied on the terminal block and causing cable breakage.



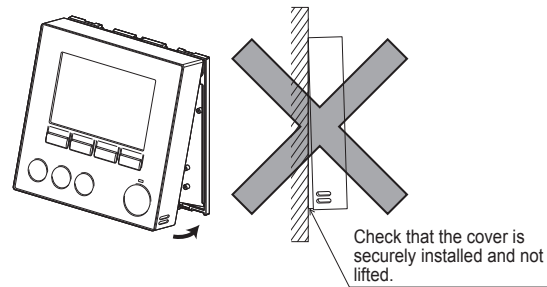
<Fig. 4.2.9>

9. Fit the top case and the front cover onto the bottom case.

The top case assembly (fitted with the front cover at factory shipment) has two tabs on top. Hook the tabs onto the bottom case and snap the top case onto the bottom case into place. Check that the cover is securely installed.

⚠ Caution:

When the top case is correctly attached to the bottom case a click is heard. If the front cover is not clicked into place it may fall off.

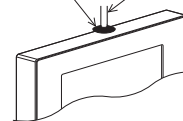


<Fig. 4.2.10>

■ Direct wall installation (when routing the main remote controller cable along the wall surface)

- Thread the main remote controller cable through the cable access hole at the top of the main remote controller.
- Seal the gap between the cable and the access hole with putty.
- Use a cable cover.

Seal the gap between the cable and the access hole with putty. Use a cable cover.



Thread the main remote controller cable through the cable access hole at the top of the main remote controller.

<Fig. 4.2.11>

■ Disassembling the top case and the front cover

(1) Remove the front cover.

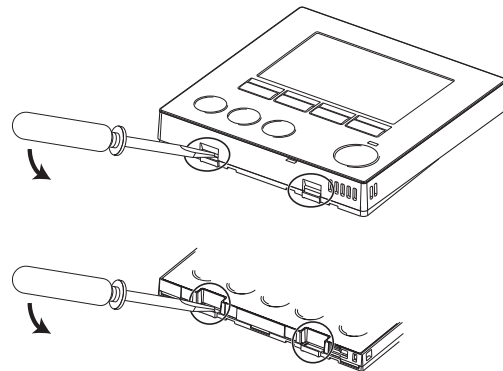
Insert a flat head screwdriver into either of two open slots at the bottom of the main remote controller and move the screwdriver handle downward as shown. The engagement of the tabs will be released. Then pull the front cover toward the front to remove the front cover.

(2) Remove the top case.

Insert a flat head screwdriver into either of two open slots at the bottom of the main remote controller. The subsequent procedure is the same as that of the front cover.

⚠ Caution:

Use a 5 mm- flat head screwdriver. Do not turn the screwdriver forcibly while placing the blade in the slots. Doing so could break the covers.



<Fig. 4.2.12>

4.3 Main Remote Controller Options

The FTC (cased) comes factory fitted with a main remote controller. This incorporates a thermistor for temperature monitoring and a graphical user interface to enable set-up, view current status and input scheduling functions. The main remote controller is also used for servicing purposes. This facility is accessed via password protected service menus.

To provide the best efficiency Mitsubishi Electric recommends using automatic adaptation function based on room temperature. To use this function a room thermistor needs to be present in a main living area. This can be done in a number of ways the most convenient are detailed below.

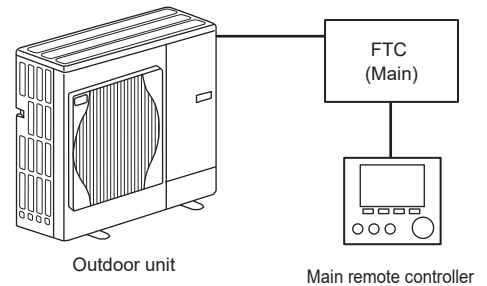
Refer to heating section of this manual for instructions on how to set compensation curve, flow temp. or room temp. (Auto adaptation).

For instructions on how to set the thermistor input for the FTC (Main) please refer to Initial settings section.

The factory setting for space heating mode is set to Room temp. (auto adaptation). If there is no room sensor present in the system, this setting must be changed to either Compensation curve mode or Flow temp. mode.

Note: Auto-adaptation is not available in Cooling mode.

Factory supplied standard



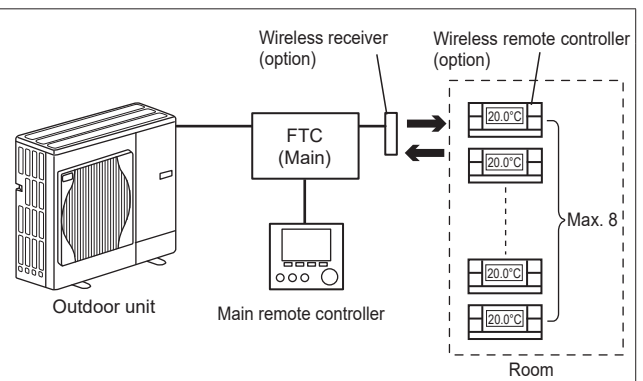
1-zone temperature control

Control option A

This option features the main remote controller and the Mitsubishi Electric wireless remote controller. The wireless remote controller is used to monitor room temperature and can be used to make changes to the space heating settings, boost DHW (*1) and switch to holiday mode without having to directly use the main remote controller.

If more than one wireless remote controller is used, the most recently requested temperature setting will commonly be applied to all rooms by the central control system regardless of which wireless remote controller was used. No hierarchy exists across these remote controllers.

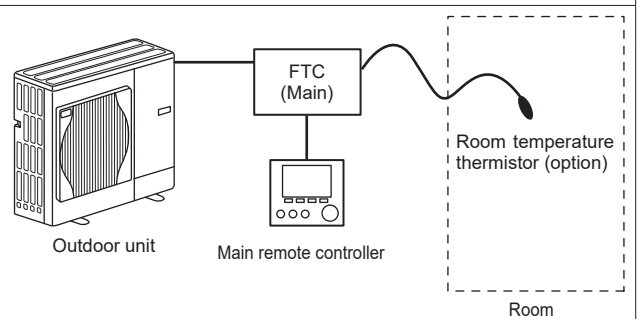
Wire the wireless receiver to FTC (Main) referring to the wireless remote controller instruction manual. **Turn DIP SW1-8 to ON.** Before operation configure the wireless remote controller to transmit and receive data referring to the wireless remote controller installation manual.



Control option B

This option features the main remote controller and the Mitsubishi Electric thermistor wired to FTC (Main). The thermistor is used to monitor room temperature but can not make any changes in control operation. Any changes to DHW (*1) must be made using the main remote controller mounted on the FTC (Main).

Wire the thermistor to the CN20 connector on FTC (Main). The number of room temperature thermistors that can be connected to FTC (Main) is always one.

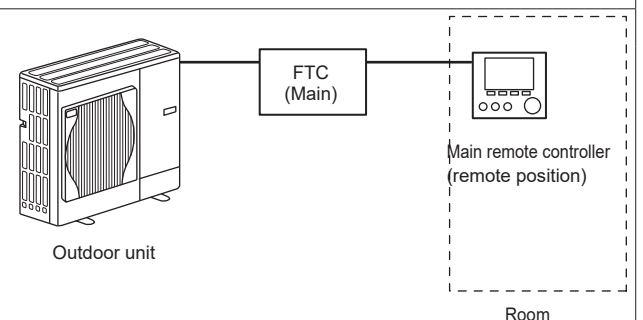


Control option C

This option features the main remote controller being removed from the FTC (Main) and situated in a different room. A thermistor built in the main remote controller can be used for monitoring the room temperature for Auto Adaptation function whilst keeping all its features of the main remote controller available.

The main remote controller and FTC (Main) are connected by a 2-core, 0.3 mm², non-polar cable (local supply) with a maximum length of 500 m.

To use the sensor in the main remote controller, the main remote controller should come off from the FTC (Main). Otherwise it will detect the temperature of the FTC (Main) instead of room temperature. This will affect the output of the space heating.

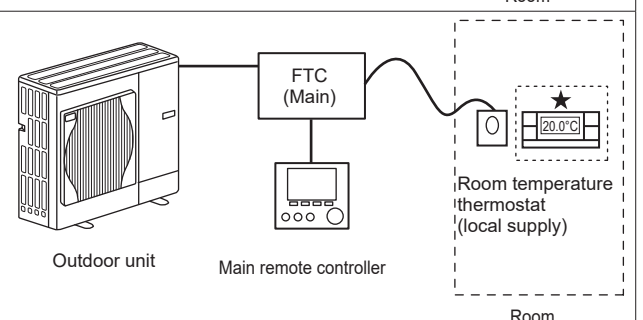


Control option D (Flow temp. or compensation curve only)

This option features the main remote controller and a locally supplied thermostat wired to FTC (Main). The thermostat is used to set the maximum temperature for heating room. Any changes to DHW (*1) must be made using main remote controller mounted on the FTC (Main).

The thermostat is wired to IN1 in TBI.1 on FTC (Main). The number of thermostats that can be connected to FTC (Main) is always one.

The wireless remote controller can be also used as a thermostat.



*1 If applicable

2-zone temperature control

Control option A

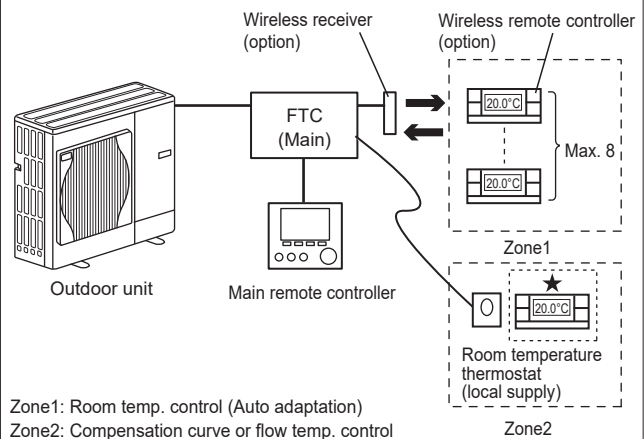
This option features the main remote controller, the Mitsubishi Electric wireless remote controller and a locally supplied thermostat.
The wireless remote controller is used to monitor the Zone1 room temperature and the thermostat is used to monitor the Zone2 room temperature.
The thermostat can be also allocated to Zone1 and the wireless remote controller to Zone2.

The wireless remote controller can be also used to make changes to the space heating settings, boost DHW (*1) and switch to holiday mode without having to use the main remote controller.

If more than one wireless remote controller is used, the last temperature setting adjustment/demand will be applied to ALL rooms in same zone.

Wire the wireless receiver to FTC (Main) referring to the wireless remote controller instruction manual. Turn DIP SW1-8 to ON. Before operation configure the wireless remote controller to transmit and receive data referring to the wireless remote controller installation manual.

The thermostat is used to set the maximum temperature for heating Zone2 room. The thermostat is wired to IN6 on FTC (Main). (If the thermostat is allocated to Zone1, it is wired to IN1 on TBI.1.) (Refer to 4.5.)



Zone1: Room temp. control (Auto adaptation)
Zone2: Compensation curve or flow temp. control

Control option B

This option features the main remote controller, the Mitsubishi Electric thermistor and a locally supplied thermostat that are wired to FTC (Main).
The thermistor is used to monitor the Zone1 room temperature and the thermostat is used to control the Zone2 room temperature.

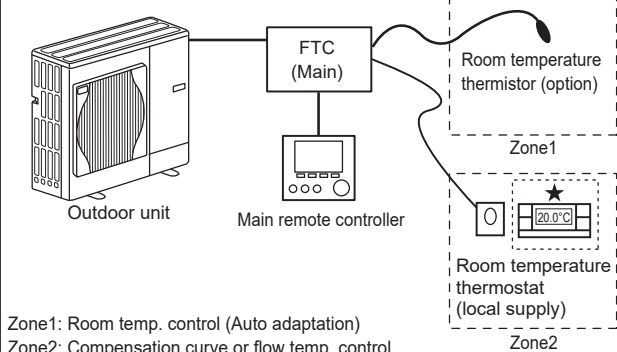
The thermostat can be also allocated to Zone1 and the thermistor to Zone2.

The thermistor can not make any changes in control operation. Any changes to DHW (*1) must be made using the main remote controller mounted on the FTC (Main).
Wire the thermistor to the CN20 connector on FTC (Main).

The number of room temperature thermistors that can be connected to FTC (Main) is always one.

The thermostat is used to set the maximum temperature for heating Zone2 room.

The thermostat is wired to IN6 on FTC (Main). (If the thermostat is allocated to Zone1, wire it to IN1 on TBI.1.) (Refer to 4.5.)



Zone1: Room temp. control (Auto adaptation)
Zone2: Compensation curve or flow temp. control

Control option C

This option features the main remote controller (with in-built thermistor) that is removed from the FTC (Main) to monitor the Zone1 room temperature and a locally supplied thermostat to monitor the Zone2 room temperature.
The thermostat can be also allocated to Zone1 and the thermistor to Zone2.

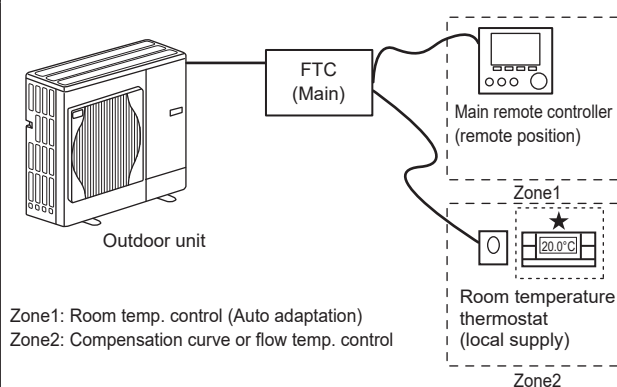
A thermistor built into the main remote controller can be used for monitoring the room temperature for Auto Adaptation function whilst keeping all its features of the main remote controller available.

The main remote controller and FTC (Main) are connected by a 2-core, 0.3 mm², non-polar cable (local supply) with a maximum length of 500 m.

To use the sensor in the main remote controller, the main remote controller should be detached from the FTC (Main). Otherwise it will detect the temperature of the FTC (Main) instead of room temperature. This will affect the output of the space heating.

The thermostat is used to set the maximum temperature for heating Zone2 room.

The thermostat is wired to IN6 on FTC (Main). (If the thermostat is allocated to Zone1, wire it to IN1 on TBI.1.) (Refer to 4.5.)



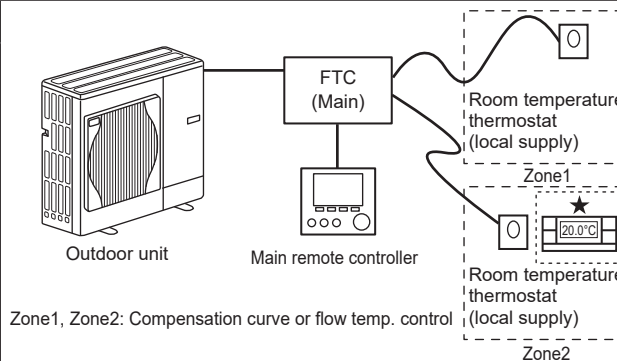
Zone1: Room temp. control (Auto adaptation)
Zone2: Compensation curve or flow temp. control

Control option D

This option features the locally supplied thermostats wired to FTC (Main). The thermostats are individually allocated to Zone1 and Zone2. The thermostats are used to set each maximum temperature for heating Zone1 and Zone2 rooms. Any changes to DHW (*1) must be made using the main remote controller mounted on the FTC (Main).

The thermostat for Zone1 is wired to IN1 in TBI.1 on FTC (Main).

The thermostat for Zone2 is wired to IN6 in TBI.1 on FTC (Main).



Zone1, Zone2: Compensation curve or flow temp. control

Note: For the options above, the sensor types can be exchanged between Zone1 and Zone2.

(e.g. Wireless remote controller in Zone1 and Room temp. thermostat in Zone2 can be changed to Room temp. thermostat and wireless remote controller, respectively).

*1 If applicable

★ The wireless remote controller can be also used as a thermostat.

4.4 Connecting the thermistor cables

Connect the thermistor for the FTC (Main) controller.
 For multiple outdoor units control with FTC (Sub), see section 9.

4.4.1 Connecting the room temp. thermistor (TH1) cable

TH1 is an optional part (PAC-SE41TS-E).
 TH1 is required to use the auto adaptation function. However, when room temperature detection is conducted by the main remote controller or the wireless remote controller (optional), this part is not required.
 Connect the TH1 cable to the CN20 connector on FTC (Main).
 When the TH1 cable is too long, bundle the excess cable outside the FTC (Main) unit.
 For more details, refer to Section 4.3 in this manual or the installation manual that comes with PAC-SE41TS-E.
 When using TH1, place this sensor on appropriate location to detect room temperature.

4.4.2. Connecting the refrigerant pipe temp. thermistor (TH2) cable

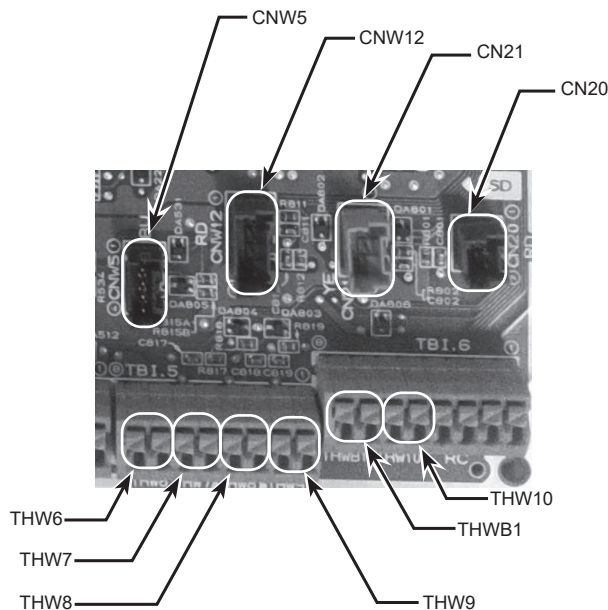
Connect the TH2 cable to the CN21 connector on FTC (Main).
 For split Outdoor unit : Connect TH2.
 For packaged Outdoor unit : It is NOT necessary to connect TH2.

When the TH2 cable is too long, bundle the excess cable outside the FTC (Main) unit.
 Do not bind the wires in the FTC (Main) unit.

<Thermistor position>

Place TH2 on **refrigerant** piping (**liquid** side).
 It is recommended to protect the thermistor with heat insulating materials so as not to be affected by ambient temperature.

Note: Be sure to place TH2 where it correctly detects refrigerant piping temp. (liquid side).
 Because;
 (1) TH2 is required to detect heating subcool correctly.
 (2) Refrigerant temperature of water-to-refrigerant heat exchanger also needs to be detected for protection purpose.



<Fig. 4.4.1>

4.4.3. Connecting the flow water temp. thermistor (THW1) cable and the return water temp. thermistor (THW2) cable

The THW1 and the THW2 cables share a connector, and the connector connects to CNW12 connector on FTC (Main).

When the THW1 and THW2 cables are too long, bundle the excess cables outside the FTC (Main) unit.
 Do not bind the wires in the FTC (Main) unit.

<Thermistor position>

Place THW1 on **water** piping (water **outlet** side) after booster heater, and THW2 on the water inlet side.
 It is recommended to protect the thermistor with heat insulating materials so as not to be affected by ambient temperature.
 Note: Be sure to attach THW1 where it correctly detects Flow temp. (water outlet side). For more details, see Page C-6.

4.4.4. Connecting the actual DHW tank thermistor (THW5B) cable

THW5B is an optional part (PAC-TH011TK2-E(5 m) or PAC-TH011TKL2-E(30 m)). However, PAC-IF073B-E comes with THW5B.
 Connect the THW5B cable to the CNW5 connector on FTC (Main) if the DHW tank is available.
 When the THW5B cable supplied with FTC (Main) is too long, bundle the excess cable outside the FTC (Main) unit.
 Do not bind the wires in the FTC (Main) unit.

<Thermistor position>

Place THW5 on the position where tank water temperature can be detected correctly.
 It is recommended to position the thermistor at the mid height of the DHW tank (to control DHW heating with this sensor).
 It is recommended to protect the thermistor with heat insulating materials so as not to be affected by ambient temperature.
 Especially for double (insulated) tank, thermistor should be attached to the inner side (to detect the water temperature).

Note:

Stranded wire should be processed with insulation-covered bar terminal (DIN46228-4 standard compatible type).
The necessary thermistor (THW6, THW7, THW8, THW9) connection for 2-zone temperature control, refer to "4.7 Wiring for 2-zone temperature control" .

The necessary thermistor (THWB1, THW6, THW7) connection for back-up operation of boiler, refer to the installation manual of PAC-TH012HT-E .

⚠ Caution:

Do not route the thermistor cables together with power cables.
The sensor part of the thermistor should be installed where user can not access.

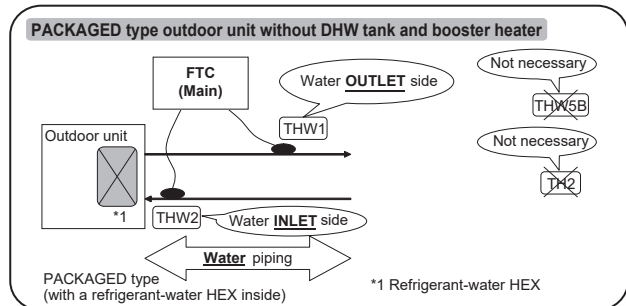
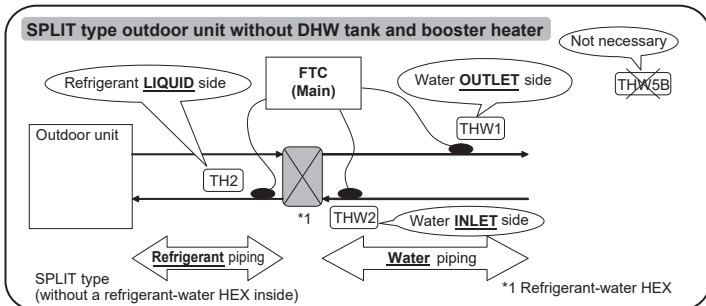
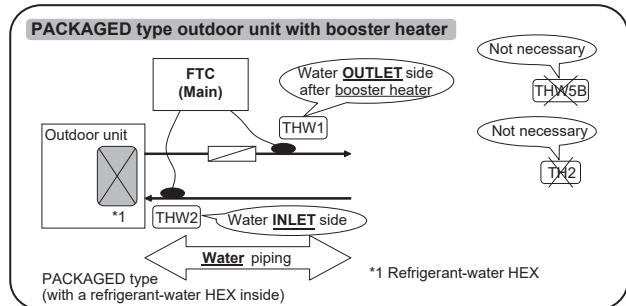
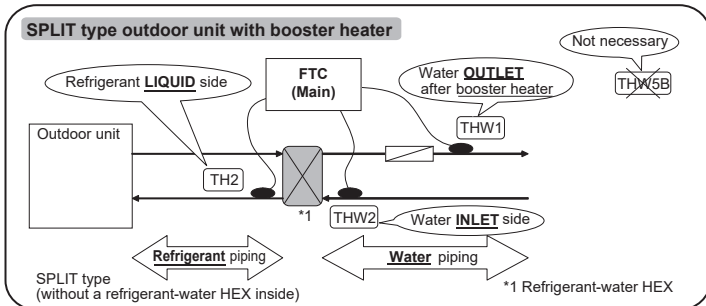
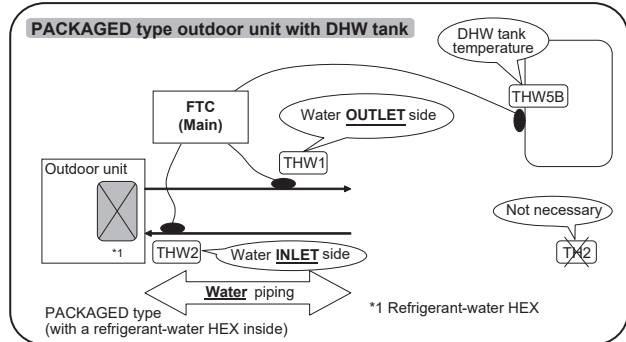
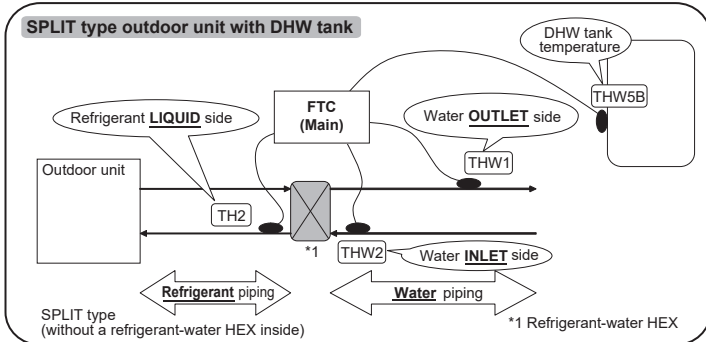
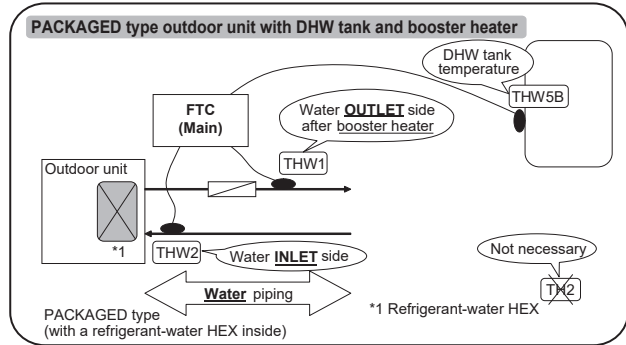
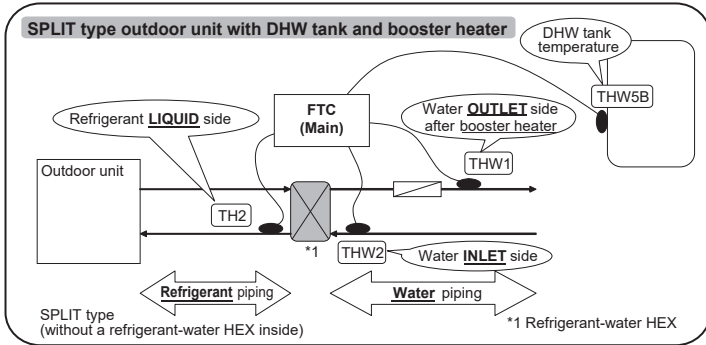
4.4.5. Thermistor position and necessity

<Thermistor position and necessity>

Outdoor unit type	DHW tank	TH2	THW1	THW2	THW5B
Split	Present	✓	✓	✓	✓
	Absent	✓	✓	✓	—
Packaged	Present	—	✓	✓	✓
	Absent	—	✓	✓	—

✓: Necessary. Connect the thermistor.

—: Not necessary. The thermistor is not required, do not connect.



<Fig. 4.4.2>

4.5 Connecting inputs/outputs

For multiple outdoor units control with FTC (Sub), see section 9.

Signal inputs

Name	Terminal block	Connector	Item	OFF (Open)	ON (Short)
IN1	TBI.1 7-8	—	Room thermostat 1 input *1	Refer to SW2-1 in <5.1 DIP Switch Functions>.	
IN2	TBI.1 5-6	—	Flow switch 1 input	Refer to SW2-2 in <5.1 DIP Switch Functions>.	
IN3	TBI.1 3-4	—	Flow switch 2 input (Zone1)	Refer to SW3-2 in <5.1 DIP Switch Functions>.	
IN4	TBI.1 1-2	—	Demand control input	Normal	Heat source OFF/ Boiler operation *3
IN5	TBI.2 7-8	—	Outdoor thermostat input *2	Standard operation	Heater operation/ Boiler operation *3
IN6	TBI.2 5-6	—	Room thermostat 2 input *1	Refer to SW3-1 in <5.1 DIP Switch Functions>.	
IN7	TBI.2 3-4	—	Flow switch 3 input (Zone2)	Refer to SW3-2 in <5.1 DIP Switch Functions>.	
IN8	TBI.3 7-8	—	Electric energy meter 1	*4	
IN9	TBI.3 5-6	—	Electric energy meter 2		
IN10	TBI.2 1-2	—	Heat meter		
IN11	TBI.3 3-4	—	Smart grid ready input	*5	
IN12	TBI.3 1-2	—	Smart grid ready input	*5	
INA1	TBI.4 1-3	CN1A	Flow sensor input	*6	

*1. Set the ON/OFF cycle time of the room thermostat for 10 minutes or more; otherwise the compressor may be damaged.

*2. If using outdoor thermostat for controlling operation of heaters, the lifetime of the heaters and related parts may be reduced.

*3. To turn on the boiler operation, use the main remote controller to select "Boiler" in "External input setting" screen in the service menu.

*4. Connectable electric energy meter and heat meter

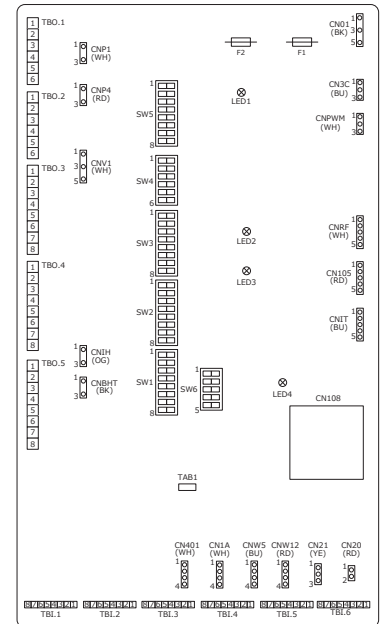
- Pulse type Voltage free contact for 12VDC detection by FTC (TBI.2 1 pin, TBI.3 5 and 7 pins have a positive voltage.)
- Pulse duration Minimum ON time: 40ms
Minimum OFF time: 100ms
- Possible unit of pulse 0.1 pulse/kWh 1 pulse/kWh 10 pulse/kWh
100 pulse/kWh 1000 pulse/kWh

Those values can be set by the main remote controller. (Refer to the menu tree in "7.2 Main remote controller".)

*5. As for the smart grid ready, refer to "4.9 Smart grid ready".

*6. Connectable flow sensor

- Power supply 5 V DC
- Measuring range 5 to 100 L/min
Those values can be set by the main remote controller. (Refer to <Auxiliary setting> on this page.)
- Flow signal 0.5 V (at minimum flow rate) to 3.5 V (at maximum flow rate)



<Fig. 4.5.1>

Wiring specification and local supply parts

Item	Name	Model and specifications
Signal input function	Signal input wire	Use sheathed vinyl coated cord or cable. Max. 30 m Wire type: CV, CVS or equivalent Wire size: Stranded wire 0.13 mm ² to 0.52 mm ² Solid wire: ø0.4 mm to ø0.8 mm
	Switch	Non-voltage "a" contact signals Remote switch: minimum applicable load 12 V DC, 1 mA

Note:

Stranded wire should be processed with insulation-covered bar terminal (DIN46228-4 standard compatible type).

<Auxiliary settings>

This function is used to set the parameters for any auxiliary parts used in the system

Menu subtitle	Function/ Description
Economy settings for pump	Water pump stops automatically in certain period of time from when operation is finished.
Delay	Time before pump switched off*1
Electric heater (Heating)	To select "WITH booster heater (ON)" or "WITHOUT booster heater (OFF)" in Heating mode.
Delay	The minimum time required for the booster heater to turn ON from after Heating mode has started.
Electric heater (DHW)	To select "WITH (ON)" or "WITHOUT (OFF)" booster heater or immersion heater individually in DHW mode.
Delay	The minimum time required for the booster heater or immersion heater to turn ON from after DHW mode has started. (This setting is applied for both booster and immersion heater.)
Mixing valve control *2	Period from valve fully open (at a hot water mixing ratio of 100%) to valve fully closed (at a cold water mixing ratio of 100%)
Interval	Interval (min) to control the Mixing valve.
Flow sensor	The minimum flow rate to be detected at Flow sensor.
*3	The maximum flow rate to be detected at Flow sensor.

*1. Decreasing "time before pump switched off" may increase the duration of stand-by in Heating/Cooling mode.

*2. Set the Running time according to the specifications of the actuator of each mixing valve. It is recommended to set the interval to 2 minutes that is a default value. With the interval set longer, it could take longer to warm up a room.

*3. Do not change the setting since it is set according to the specification of Flow sensor attached to the indoor unit.

Thermistor inputs

Name	Terminal block	Connector	Item	Optional part model
TH1	—	CN20	Thermistor (Room temp.) (Option) *1	PAC-SE41TS-E
TH2	—	CN21	Thermistor (Ref. liquid temp.) *2	—
THW1	—	CNW12 1-2	Thermistor (Flow water temp.)	—
THW2	—	CNW12 3-4	Thermistor (Return water temp.)	—
THW5A	—	CNW5 1-2	Thermistor (DHW tank upper water temp.)	—
THW5B	—	CNW5 3-4	Thermistor (DHW tank water temp.)	—
THW6	TBI.5 7-8	—	Thermistor (Zone1 flow water temp.) (Option) *1	PAC-TH011-E
THW7	TBI.5 5-6	—	Thermistor (Zone1 return water temp.) (Option) *1	
THW8	TBI.5 3-4	—	Thermistor (Zone2 flow water temp.) (Option) *1	PAC-TH011-E
THW9	TBI.5 1-2	—	Thermistor (Zone2 return water temp.) (Option) *1	
THWB1	TBI.6 7-8	—	Thermistor (Boiler flow water temp.) (Option) *1	PAC-TH012HT(L)-E
THW10	TBI.6 5-6	—	Thermistor (Mixing tank water temp.) (Option) *1	

Ensure to wire thermistor wirings away from the power line and/or OUT1 to 16 wirings.

*1. The maximum length of the thermistor wiring is 30 m.

The length of the optional thermistors are 5 m. If you need to splice and extend the wirings, following points must be carried out.

1) Connect the wirings by soldering.

2) Insulate each connecting point against dust and water. Stranded wire should be processed with insulation-covered bar terminal (DIN46228-4 standard compatible type).

*2. Except PAC-IF072/073B-E.

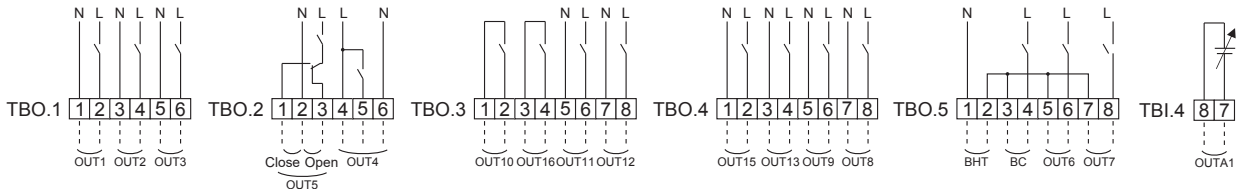
Outputs

Name	Terminal block	Connector	Item	OFF	ON	Signal/Max. current	Max. total current
OUT1	TBO.1 1-2	CNP1	Water circulation pump 1 output (Space heating/cooling & DHW)	OFF	ON	230 V AC 1.0 A Max. (Inrush current 40A Max.)	4.0 A (a)
OUT2	TBO.1 3-4	—	Water circulation pump 2 output (Space heating/cooling for Zone1)	OFF	ON	230 V AC 1.0 A Max. (Inrush current 40A Max.)	
OUT3	TBO.1 5-6	—	Water circulation pump 3 output (Space heating/cooling for Zone2) *1 2-way valve 2b output *2	OFF	ON	230 V AC 1.0 A Max. (Inrush current 40A Max.)	
OUT4	TBO.2 4-6	CNV1	3-way valve (2-way valve 1) output	Heating	DHW	230 V AC 0.1 A Max.	3.0 A (b)
OUT5	TBO.2 1-2 TBO.2 2-3	—	Mixing valve output *1	Stop	Close Open	230 V AC 0.1 A Max.	
OUT6	TBO.5 5-6	—	Booster heater 1 output	OFF	ON	230 V AC 0.5 A Max. (Relay)	
OUT7	TBO.5 7-8	—	Booster heater 2 output	OFF	ON	230 V AC 0.5 A Max. (Relay)	
OUT8	TBO.4 7-8	—	Cooling signal output	OFF	ON	230 V AC 0.5 A Max.	
OUT9	TBO.4 5-6	CNIH	Immersion heater output	OFF	ON	230 V AC 0.5 A Max. (Relay)	—
OUT10	TBO.3 1-2	—	Boiler output	OFF	ON	non-voltage contact ·220 - 240 V AC (30 V DC) 0.5 A or less ·10 mA 5 V DC or more	
OUT11	TBO.3 5-6	—	Error output	Normal	Error	230 V AC 0.5 A Max.	
OUT12	TBO.3 7-8	—	Defrost output	Normal	Defrost	230 V AC 0.5 A Max.	3.0 A (b)
OUT13	TBO.4 3-4	—	2-way valve 2a output *2	OFF	ON	230 V AC 0.1 A Max.	
OUT14	—	CNP4	Water circulation pump 4 output (DHW)	OFF	ON	230 V AC 1.0 A Max.	4.0 A (a)
OUT15	TBO.4 1-2	—	Comp ON signal	OFF	ON	230 V AC 0.5 A Max.	3.0 A (b)
OUT16	TBO.3 3-4	—	Heating/Cooling thermo ON signal	OFF	ON	non-voltage contact ·220 - 240 V AC (30V DC) 0.5 A or less ·10 mA 5 V DC or more	—
OUTA1	TBI.4 7-8	—	Analog output	—	—	0 - 10 V DC 5 mA max.	—
BC	TBO.5 3-4	—	Booster heater protection output	OFF (BHT open)	ON (BHT short)	230 V AC 0.5 A Max.	—
BHT	TBO.5 1-2	CNBHT	Thermostat for booster heater	Thermostat Normal: short	High temp. : open	—	—

Do not connect to the terminals that are indicated as “—” in the “Terminal block” field.

*1 For 2-zone temperature control.

*2 For 2-zone valve ON/OFF control.



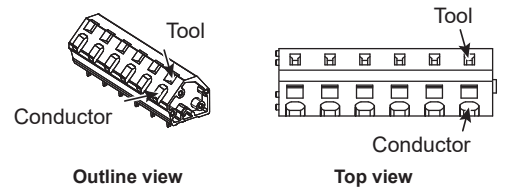
Wiring specification and local supply parts

Item	Name	Model and specifications
External output function	Outputs wire	Use sheathed vinyl coated cord or cable. Max. 30 m Wire type: CV, CVS or equivalent Wire size: Stranded wire 0.25 mm ² to 1.5 mm ² Solid wire: 0.25 mm ² to 1.5 mm ²

Note:

- When the FTC is powered via outdoor unit, the maximum grand total current of (a)+(b) is 3.0 A.
- Do not connect multiple water circulation pumps directly to each output (OUT1, OUT2, and OUT3). In such a case, connect them via (a) relay(s).
- Connect an appropriate surge absorber to OUT10 (TBO.3 1-2) depending on the load at site.
- Stranded wire should be processed with insulation-covered bar terminal (DIN46228-4 standard compatible type).

How to use TBO.1 to 5



Connect them using either way as shown above.
<Fig. 4.5.2>

4.6 Wiring for heater

<Care to be taken when connecting a booster heater(s)>

The initial setting assumes that the connected booster heater(s) has a built-in direct cut-off thermostat. <Fig. 4.6.1>

When the connected booster heater(s) has a built-in indirect cut-off thermostat, perform wiring according to the following items. < Fig. 4.6.2>

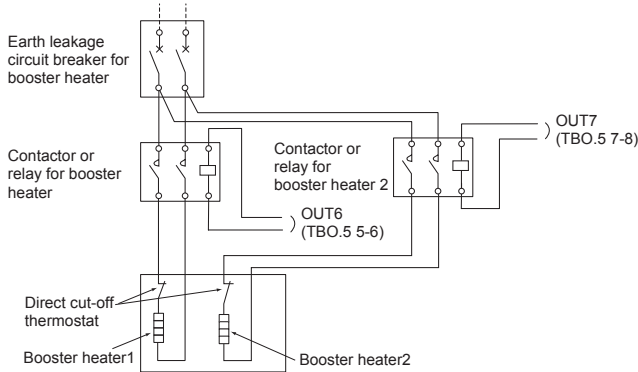
- Connect the thermostat signal to BHT (TBO.5 1-2).
- Remove the jumper wire from connector CNBHT.
- Connect a contactor (or relay) for protecting the booster heater.
(Connect the electromagnetic coil terminals to BC (TBO.5 3-4).

* Do not remove the jumper wire from connector CNBHT when the connected booster heater(s) has a built-in direct cut-off thermostat. < Fig. 4.6.1>

<Care to be taken when connecting an immersion heater>

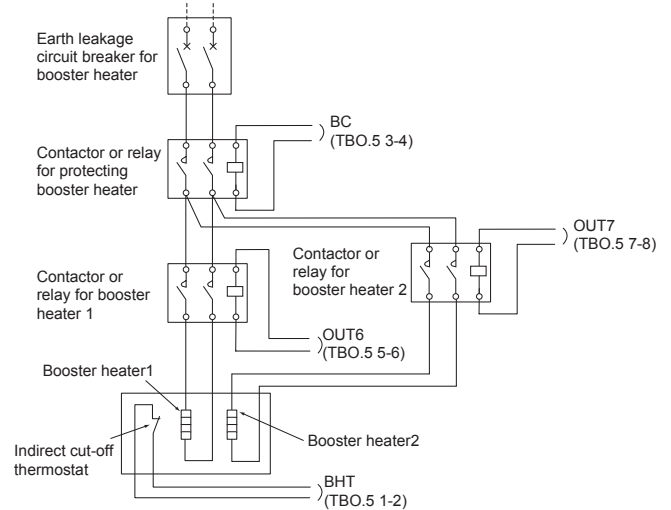
The initial setting assumes that the connected immersion heater has a built-in direct cut-off thermostat. <Fig. 4.6.3>

<Wiring for booster heater with a built-in direct cut-off thermostat>



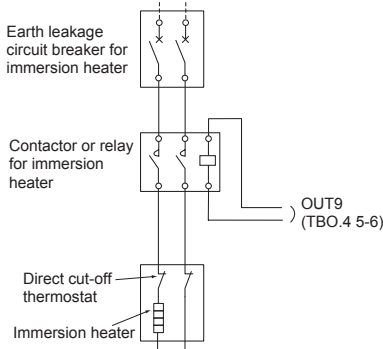
<Fig. 4.6.1>

<Wiring for booster heater with a built-in indirect cut-off thermostat>

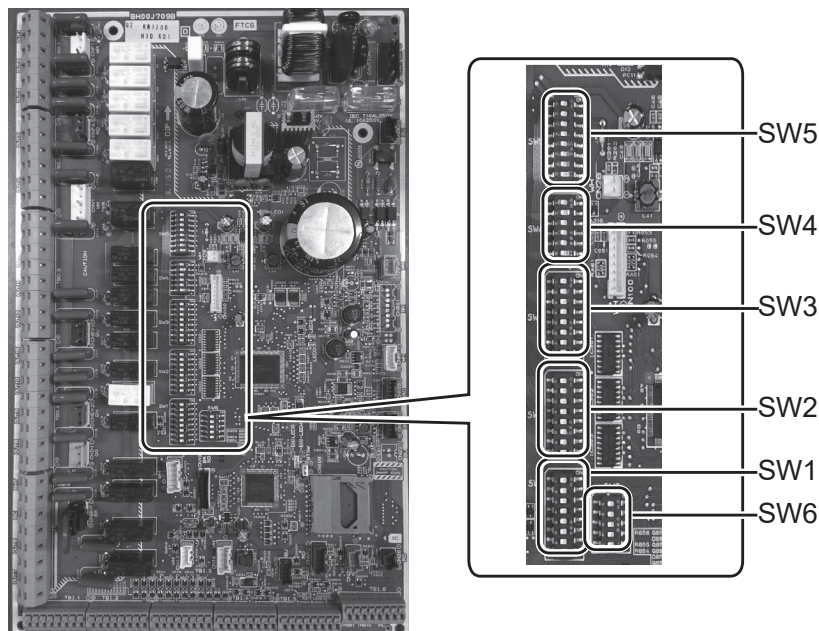


<Fig. 4.6.2>

<Wiring for immersion heater with a built-in direct cut-off thermostat>



<Fig. 4.6.3>



Flow temp. controller

4.7 Wiring for 2-zone temperature control

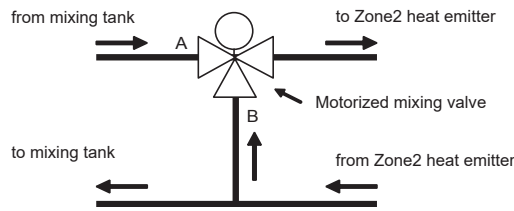
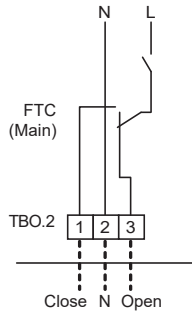
Connect the pipe work and locally supplied parts according to the relevant circuit diagram shown "Local system" in Section 3, of this manual.

<Mixing valve>

Connect the signal line to open Port A (hot water inlet port) to TBO.2-3 (Open), the signal line to open Port B (cold water inlet port) to TBO.2-1 (Close), and the neutral terminal wire to TBO. 2-2 (N).

<Thermistor>

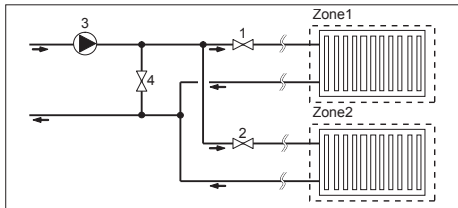
- Do not install the thermistors on the mixing tank.
- Install the Zone2 flow temp. thermistor (THW8) near the mixing valve.
- The maximum length of the thermistor wiring is 30 m.
- The length of the optional thermistors are 5 m. If you need to splice and extend the wirings, following points must be carried out.
 - 1) Connect the wirings by soldering.
 - 2) Insulate each connecting point against dust and water.



4.8 2-zone valve ON/OFF control

Opening /closing 2-way valve provides a simple 2-Zone control. Flow temperature is common for Zone1 and 2.

1. Pipe work



1. Zone1 2-way valve 2a (local supply)
2. Zone2 2-way valve 2b (local supply)
3. Water circulation pump 2 (local supply) *1
4. By-pass valve (local supply) *2

*1 Install according to system in the field.
*2 For safety protection, it is recommended to install a by-pass valve.

Note: Freeze stat function is deactivated whilst this control is ON. Use anti-freeze solution to avoid freezing, if necessary.

2. DIP switch

Turn DIP switch 3-6 ON.

3. 2-way valve 2a (for Zone1) / 2-way valve 2b (for Zone2)

Electrically wire 2-way valve 2a and 2b to the appropriate external output terminals. (Refer to "External outputs" in 4.5)

4. Room thermostat connection

Heating operation mode	Zone1	Zone2
Room temp. control (Auto adaptation) *3	<ul style="list-style-type: none"> • Wireless remote controller (option) • Room temperature thermistor (option) • Main remote controller (remote position) 	<ul style="list-style-type: none"> • Wireless remote controller (option)
Compensation curve or flow temp. control	<ul style="list-style-type: none"> • Wireless remote controller (option) *4 • Room temperature thermostat (local supply) 	<ul style="list-style-type: none"> • Wireless remote controller (option) *4 • Room temperature thermostat (local supply)

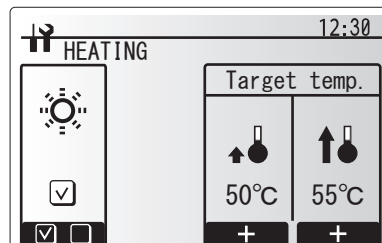
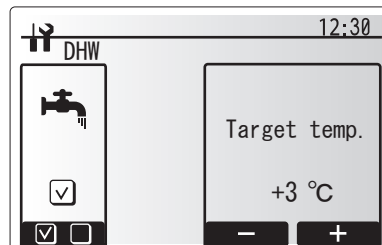
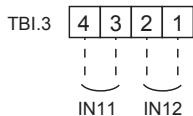
*3 Ensure to install the room thermostat for Zone1 in main room since the Room temp. control for Zone1 is prioritized.

*4 The wireless remote controller can be used as a thermostat.

4.9 Smart grid ready

In DHW or heating operation, the commands in the table below can be used.

IN11	IN12	Meaning
OFF (open)	OFF (open)	Normal operation
ON (short)	OFF (open)	Switch-on recommendation
OFF (open)	ON (short)	Switch-off command
ON (short)	ON (short)	Switch-on command



4.10 Installation procedure for DHW tank

Note:

- Be aware that the respective DHW operations are greatly effected by the selections of the components such as tank, immersion heater, or the like.
- Follow your local regulations to perform system configuration.

1. To enable switching of the water circulation circuit between the DHW mode and the heating mode, install a 3-way valve (local supply). The 3-way valve and the DHW tank should be positioned as shown in the system diagram in section 3.

The use of two 2-way valves can perform the same function as a 3-way valve.

2. Install the optional thermistor THW5 (optional part PAC-TH011TK2-E(5 m) or PAC-TH011TKL2-E(30 m)) on the DHW tank. Note that PAC-IF073B-E comes with THW5B.

It is recommended to position the thermistor at the mid point of the DHW tank capacity. Insulate thermistor from ambient air. Especially for double (insulated) tank, thermistor should be attached to the inner side (to detect the water temperature).

3. Connect the thermistor lead to the CNW5 connector on the FTC (Main).

4. The output terminals for the 3-way valve is TBO.2 4-6 (OUT4).

The TBO.2 4-6 terminals on the FTC (Main) are shown in the wiring diagram. Choose the terminals that the 3-way valve is connected to between TBO.2 5-6, or TBO.2 4-6, according to the rated voltage.

When the rated current of the 3-way valve exceeds 0.1A, be sure to use a relay with maximum voltage and current ratings of 230V AC / 0.1A when connecting to the FTC (Main). Do not directly connect the 3-way valve cable to the FTC (Main). Connect the relay cable to the TBO.2 5-6 terminals.

3-way valve must be of SPST type. SPDT type can NOT be used.

For systems using 2-way valves instead of a 3-way valve please read the following;

Specification of 2-way valve (local supply)

- Power supply: 230V AC
- Current: 0.1A Max. **(If over 0.1A you must use a relay)**
- Type: Normally closed

	Installation position	Electrical connection terminal block	Output signal		
			Heating	DHW	System OFF
2-way valve1	DHW	TBO.2 5-6	OFF (closed)	ON (open)	OFF (closed)
2-way valve2	Heating	TBO.4 3-4	ON (open)	OFF (closed)	OFF (closed)

Note: Should the 2-way valve become blocked the water circulation will stop.

A by-pass valve or circuit should be installed between pump and 2-way valve for safety.

The TBO.4 3-4 terminals on the FTC (Main) are shown in the wiring diagram. The 2-way valve (local supply) should be installed according to the instructions supplied with it. Follow 2-way valve's manufacturer's instructions as to whether to connect an earth cable or not.

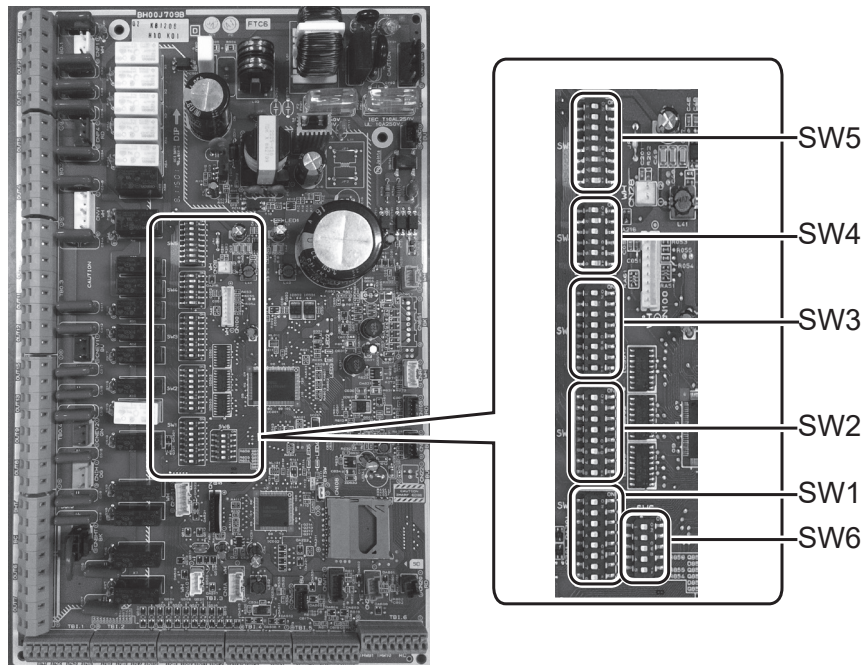
- For the 2-way valve, choose the one that slowly opens and shuts off to prevent water hammer sound.
- Choose the 2-way valve equipped with manual override, which is necessary for topping up or draining of water.

5. Turn the DIP SW1-3 on the FTC (Main) to ON.

6. When using an immersion heater (local supply), connect a contact relay cable for the immersion heater to TBO.4 5-6 (OUT9), and turn the Dip SW1-4 to ON. Do NOT directly connect the power cable to the FTC (Main).

Note:

- When an immersion heater is installed, select appropriate breaker capacity and a cable with appropriate diameter on the basis of heater output.
- When wiring an immersion heater in the field, always install an earth leakage breaker to prevent accidental electric shock.



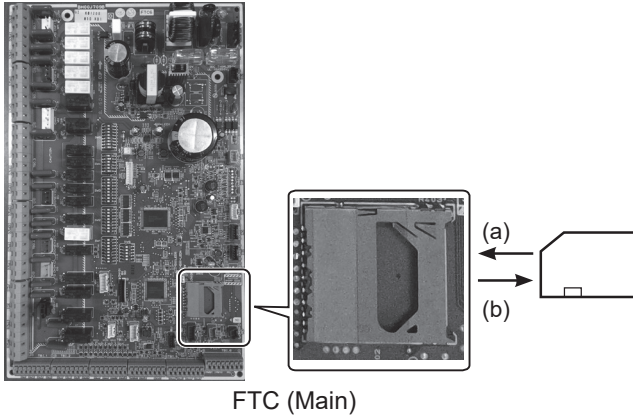
⚠ WARNING: When connecting DHW tank

- (1) Attach the optional thermistor THW5 (PAC-TH011TK2-E (5 m) or PAC-TH011TKL2-E (30 m)). Note that PAC-IF073B-E comes with THW5B.
- (2) Always use earth leakage breaker when connecting immersion heater.
- (3) When installing an immersion heater, be sure that the immersion heater has a built-in direct cut-off thermostat.
- (4) Connect a pressure relief valve on the sanitary water side.

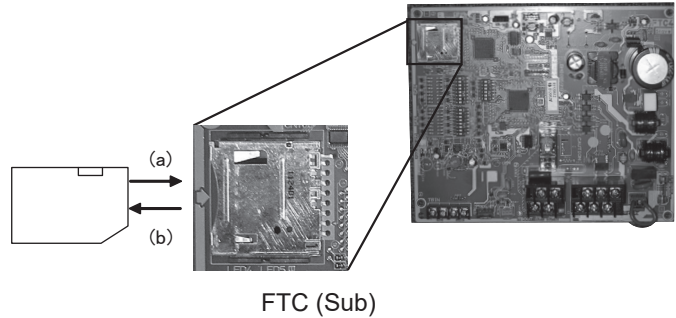
4.11 Using SD memory card

FTC is equipped with an SD memory card interface.

Using an SD memory card can simplify main remote controller settings and can store operating logs. *1



(a) For insertion, push on the SD memory card until it clicks into place.
 (b) For ejection, push on the SD memory card until it clicks.
Note: To avoid cutting fingers, do not touch sharp edges of the SD memory card connector (CN108) on the FTC control board.



<Handling precautions>

- (1) Use an SD memory card that complies with the SD standards. Check that the SD memory card has a logo on it of those shown to the right.
- (2) SD memory cards to the SD standards include SD, SDHC, mini SD, micro SD, and micro SDHC memory cards. The capacities are available up to 32 GB. Choose that with a maximum allowable temperature of 55°C.
- (3) When the SD memory card is a mini SD, mini SDHC, micro SD, or micro SDHC memory card, use an SD memory card converter adapter.
- (4) Before writing to the SD memory card, release the write-protect switch.



- (5) Before inserting or ejecting an SD memory card, make sure to power off the system. If an SD memory card is inserted or ejected with the system powered on, the stored data could be corrupted or the SD memory card be damaged. *An SD memory card is live for a whilst after the system is powered off. Before insertion or ejection wait until the LED lamps on the FTC control board are all off.
- (6) The read and write operations have been verified using the following SD memory cards, however, these operations are not always guaranteed as the specifications of these SD memory cards could change.

Manufacturer	Model	Tested in
Verbatim	#44015	Mar. 2012
SanDisk	SDSDB-002G-B35	Oct. 2011
Panasonic	RP-SDP04GE1K	Oct. 2011
Arvato	2GB PS8032 TSB 24nm MLC	Jun. 2012
Arvato	2GB PS8035 TSB A19nm MLC	Jul. 2014
SanDisk	SDSDUN-008G-G46	Oct. 2016
Verbatim	#43961	Oct. 2016
Verbatim	#44018	Oct. 2016
VANTASTEK	VSDHC08	Sep.2017

Before using a new SD memory card (including the card that comes with the unit), always check that the SD memory card can be safely read and written to by the FTC controller.

<How to check read and write operations>

- a) Check for correct wiring of power supply to the system. For more details, refer to section 4.1.
(Do not power on the system at this point.)
- b) Insert an SD memory card.
- c) Power on the system.
- d) The LED4 lamp lights if the read and write operations are successfully completed. If the LED4 lamp continues blinking or does not light, the SD memory card cannot be read or written to by the FTC controller.
- (7) Make sure to follow the instruction and the requirement of the SD memory card's manufacturer.
- (8) Format the SD memory card if determined unreadable in step (6). This could make it readable.
Download an SD card formatter from the following site.
SD Association homepage: <https://www.sdcard.org/home/>
- (9) FTC supports FAT file system but not NTFS file system.
- (10) Mitsubishi Electric is not liable for any damages, in whole or in part, including failure of writing to an SD memory card, and corruption and loss of the saved data, or the like. Back up saved data as necessary.
- (11) Do not touch any electronic parts on the FTC control board when inserting or ejecting an SD memory card, or else the control board could fail.

Logos		
Capacities		
2 GB to 32 GB *2		
SD speed classes		
All		

* The SD Logo is a trademark of SD-3C, LLC.
 The mini SD logo is a trademark of SD-3C, LLC.
 The micro SD logo is a trademark of SD-3C, LLC.

*1 To edit main remote controller settings or to check operating data, an Ecodan service tool (for use with PC) is required.

*2 A 2-GB SD memory card stores up to 30 days of operation logs.

5.1 DIP Switch Functions

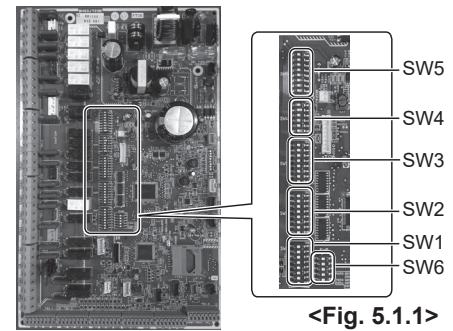
Located on the FTC printed circuit board are 6 sets of small white switches known as DIP switches. The DIP switch number is printed on the circuit board next to the relevant switches. The word ON is printed on the circuit board and on the DIP switch block itself. To move the switch you will need to use a pin or the corner of a thin metal ruler or similar.

DIP switch settings are listed below in Table 5.1.1.

Only an authorised installer can change DIP switch setting under one's own responsibility according to the installation condition.

Make sure to turn off both indoor unit and outdoor unit power supplies before changing the switch settings.

For multiple outdoor units control with FTC (sub), see section 9.3.2.



<Fig. 5.1.1>

DIP switch	Function	OFF	ON	Default settings: Indoor unit model	
SW1	SW1-1	Boiler	WITHOUT Boiler	WITH Boiler	OFF
	SW1-2	Heat pump maximum outlet water temperature	55°C	60°C	ON *1
	SW1-3	DHW tank	WITHOUT DHW tank	WITH DHW tank	OFF: PAC-IF071B-E ON : PAC-IF072/073B-E
	SW1-4	Immersion heater	WITHOUT Immersion heater	WITH Immersion heater	OFF: PAC-IF071B-E ON : PAC-IF072/073B-E
	SW1-5	Booster heater	WITHOUT Booster heater	WITH Booster heater	OFF
	SW1-6	Booster heater function	For heating only	For heating and DHW	OFF
	SW1-7	Outdoor unit type	Split type	Packaged type	OFF: PAC-IF071B-E ON : PAC-IF072/073B-E
	SW1-8	Wireless remote controller	WITHOUT Wireless remote controller	WITH Wireless remote controller	OFF
SW2	SW2-1	Room thermostat1 input (IN1) logic change	Zone1 operation stop at thermostat short	Zone1 operation stop at thermostat open	OFF
	SW2-2	Flow switch1 input (IN2) logic change	Failure detection at short	Failure detection at open	OFF
	SW2-3	Booster heater capacity restriction	Inactive	Active	OFF
	SW2-4	Cooling mode function	Inactive	Active	OFF
	SW2-5	Automatic switch to backup heat source operation (When outdoor unit stops by error)	Inactive	Active *2	OFF
	SW2-6	Mixing tank	WITHOUT Mixing tank	WITH Mixing tank	OFF
	SW2-7	2-zone temperature control	Inactive	Active *6	OFF
	SW2-8	Flow sensor	WITHOUT Flow sensor	WITH Flow sensor	OFF
SW3	SW3-1	Room thermostat 2 input (IN6) logic change	Zone2 operation stop at thermostat short	Zone2 operation stop at thermostat open	OFF
	SW3-2	Flow switch 2 and 3 input logic change	Failure detection at short	Failure detection at open	OFF
	SW3-3	—	—	—	OFF
	SW3-4	Electric energy meter	WITHOUT Electric energy meter	WITH Electric energy meter	OFF
	SW3-5	Heating mode function *3	Inactive	Active	ON
	SW3-6	2-zone valve ON/OFF control	Inactive	Active	OFF
	SW3-7	—	—	—	OFF
	SW3-8	Heat meter	WITHOUT Heat meter	WITH Heat meter	OFF
SW4	SW4-1	Multiple outdoor unit control	Inactive	Active	OFF
	SW4-2	Position of multiple outdoor unit control *7	Sub	Main	OFF
	SW4-3	—	—	—	OFF
	SW4-4	Indoor unit only operation (during installation work) *4	Inactive	Active	OFF
	SW4-5	Emergency mode (Heater only operation)	Normal	Emergency mode (Heater only operation)	OFF *5
	SW4-6	Emergency mode (Boiler operation)	Normal	Emergency mode (Boiler operation)	OFF *5
SW5	SW5-1	—	—	—	OFF
	SW5-2	Advanced auto adaptation	Inactive	Active	ON
	SW5-3	—	—	—	OFF
	SW5-4	—	—	—	OFF
	SW5-5	—	—	—	OFF
	SW5-6	—	—	—	OFF
	SW5-7	—	—	—	OFF
	SW5-8	—	—	—	OFF
SW6	SW6-1	—	—	—	OFF: PAC-IF071/072B-E ON: PAC-IF073B-E
	SW6-2	—	—	—	OFF
	SW6-3	Pressure sensor	Inactive	Active	OFF
	SW6-4	Analog output signal (0-10V)	Inactive	Active	OFF
	SW6-5	—	—	—	OFF

<Table 5.1.1>

- Note:
- *1. When the FTC unit is connected with a outdoor unit of which maximum outlet water temperature is 55°C, DIP SW1-2 must be changed to OFF.
 - *2. External output (OUT11) will be available. For safety reasons, this function is not available for certain errors. (In that case, system operation must be stopped and only the water circulation pump keeps running.)
 - *3. This switch functions only when the cylinder unit is connected with a PUHZ-FRP outdoor unit. When another type of outdoor unit is connected, the heating mode function is active regardless of the fact that this switch is ON or OFF.
 - *4. Space heating and DHW can be operated only in indoor unit, like an electric heater. (Refer to "5.7 Indoor unit only operation".)
 - *5. If emergency mode is no longer required, return the switch to OFF position.
 - *6. Active only when SW3-6 is set to OFF.
 - *7. SW4-2 is available only when SW4-1 is ON.

5.2 Outdoor unit type

Set Dip SW 1-7 to set the outdoor unit type.

Dip SW 1-7	Setting	Note
OFF	Split type	Necessary to connect TH2
ON	Packaged type	Not necessary to connect TH2

Set Dip SW 1-2 to set the heat pump maximum outlet water temperature.

Dip SW 1-2	Setting
OFF	55°C
ON	60°C

Note: When Dip SW 1-2 is OFF (55°C) and an electric heater is not installed (*), 'Legionella Prevention Mode' is NOT available.

* Dip SW settings set when no electric heater is installed.

Dip SW 1-2	Dip SW 1-4	Dip SW 1-5	Dip SW 1-6
OFF	OFF	ON	OFF
OFF	OFF	OFF	(ON/OFF)

5.3 Functions setting

Set Dip SW 1-1 to set whether the system has a boiler.

Dip SW 1-1	Setting
OFF	WITHOUT boiler
ON	WITH boiler

When Dip SW 1-1 is OFF, back-up operation of boiler is not available.

Set Dip SW 1-3 to set whether the system has a DHW tank.

Dip SW 1-3	Setting	Note
OFF	WITHOUT DHW tank	Not necessary to connect THW5
ON	WITH DHW tank	Necessary to connect THW5

When Dip SW 1-3 is OFF, DHW mode is not available.

Set Dip SW 1-4 to set whether the system has an immersion heater.

Dip SW 1-4	Setting
OFF	WITHOUT immersion heater
ON	WITH immersion heater

Set Dip SW 1-5 to set whether the system has a booster heater.

Dip SW 1-5	Setting
OFF	WITHOUT booster heater
ON	WITH booster heater

Set Dip SW 1-6 to set the booster heater function.

Dip SW 1-6	Setting
OFF	For heating only
ON	For heating and DHW

Set Dip SW 2-6 to set whether the system has a mixing tank.

Dip SW 2-6	Setting
OFF	WITHOUT mixing tank
ON	WITH mixing tank

When Dip SW 2-6 is OFF, back-up operation of boiler is not available.
When Dip SW 2-6 is OFF, 2-zone temperature control is not available.

Set Dip SW 2-7 to set activate or deactivate 2-zone temperature control.

Dip SW 2-7	Setting
OFF	Inactive
ON	Active

Set Dip SW 2-8 to set whether the system has a flow sensor.

Dip SW 2-8	Setting
OFF	WITHOUT flow sensor
ON	WITH flow sensor

Set Dip SW 3-4 to set whether the system has an electric energy meter.

Dip SW 3-4	Setting
OFF	WITHOUT electric energy meter
ON	WITH electric energy meter

Set Dip SW 3-6 to set activate or deactivate 2-zone valve ON/OFF control.

Dip SW 3-6	Setting
OFF	Inactive
ON	Active

Set Dip SW 3-8 to set whether the system has a heat meter.

Dip SW 3-8	Setting
OFF	WITHOUT heat meter
ON	WITH heat meter

Set Dip SW 4-1 to set activate or deactivate multiple units control.

Dip SW 4-1	Setting
OFF	Inactive
ON	Active

When Dip SW 4-1 is OFF, 2-zone temperature control and 2-zone valve ON/OFF control is not available.

Set Dip SW 4-2 to set main or sub of multiple units control.

Dip SW 4-2	Setting
OFF	Sub
ON	Main

When multiple units control is not available, setting of Dip SW 4-2 is not necessary.

Set Dip SW 5-2 to set activate or deactivate advanced auto adaptation.

Dip SW 5-2	Setting
OFF	Inactive
ON	Active

<Summary of Function setting>

Dip SW 1-3 (DHW tank)	Dip SW 1-4 (Immersion heater)	Dip SW 1-5 (Booster heater)	Dip SW 1-6 (BH function)	System diagram
ON (WITH DHW tank)	OFF (WITHOUT immersion heater)	ON (WITH booster heater)	ON (For heating and DHW)	
ON (WITH DHW tank)	ON (WITH immersion heater)	ON (WITH booster heater)	ON (For heating and DHW)	
ON (WITH DHW tank)	OFF (WITHOUT immersion heater)	ON (WITH booster heater)	OFF (For heating only)	
ON (WITH DHW tank)	OFF (WITHOUT immersion heater)	OFF (WITHOUT booster heater)	—	
ON (WITH DHW tank)	ON (WITH immersion heater)	ON (WITH booster heater)	OFF (For heating only)	
ON (WITH DHW tank)	ON (WITH immersion heater)	OFF (WITHOUT booster heater)	—	
OFF (WITHOUT DHW tank)	OFF (WITHOUT immersion heater)	ON (WITH booster heater)	OFF	
OFF (WITHOUT DHW tank)	OFF (WITHOUT immersion heater)	OFF (WITHOUT booster heater)	—	

* The use of two 2-way valves can perform same function as a 3-way valve.

5.4 Operation setting

Set Dip SW 1-8 to set whether the system has a wireless remote controller.

Dip SW 1-8	Setting
OFF	WITHOUT wireless remote controller
ON	WITH wireless remote controller

Set Dip SW 2-1 to set the room thermostat 1 input (IN1) logic.

Dip SW 2-1	Setting
OFF	Operation stop at thermostat short
ON	Operation stop at thermostat open

Set Dip SW 2-2 to set the flow switch 1 input (IN2) logic.

Dip SW 2-2	Setting
OFF	Failure detection at short
ON	Failure detection at open

Set Dip SW 2-3 to set the restriction on the capacity of booster heater.

Dip SW 2-3	Setting
OFF	Inactive
ON	Active

When Dip SW 2-3 is ON, booster heater 2 operation is not available. (Only booster heater 1 is available.)

Notes: ① When installing one booster heater, use OUT6 (Booster Heater 1) and switch SW2-3 to ON.

② When installing two booster heaters, use OUT6 (Booster Heater 1) and OUT7 (Booster heater 2). In such cases, use OUT7 (Booster heater 2) to connect the one with higher capacity.

Reference: Summary of Booster heater control
The booster heater is controlled in the following three steps.

		Booster heater 1 (OUT6)	Booster heater 2 (OUT7)
OFF		OFF	OFF
ON	STEP 1	ON	OFF
	STEP 2	OFF	ON
	STEP 3	ON	ON

Controlled to this extent when SW2-3 is ON.

Set Dip SW 2-4 to set activate or deactivate cooling mode.

Dip SW 2-4	Setting
OFF	Inactive
ON	Active

When Dip SW 2-4 is OFF, cooling mode is not available.

Set Dip SW 2-5 to set the automatic switch to backup heater only operation. (When outdoor unit stops by error.)

Dip SW 2-5	Setting
OFF	Inactive
ON	Active

Set Dip SW 3-1 to set the room thermostat 2 input (IN6) logic.

Dip SW 3-1	Setting
OFF	Operation stop at thermostat short
ON	Operation stop at thermostat open

Set Dip SW 3-2 to set the flow switch 2 and 3 input logic.

Dip SW 3-2	Setting
OFF	Operation stop at thermostat short
ON	Operation stop at thermostat open

Set Dip SW 3-5 to set activate or deactivate heating mode.

Dip SW 3-5	Setting
OFF	Inactive
ON	Active

When the connected outdoor unit is not of PUHZ-FRP model, heating mode is always active regardless of Dip SW3-5 setting.

Set Dip SW 4-4 to set activate or deactivate indoor unit only operation.

Dip SW 4-4	Setting
OFF	Inactive
ON	Active

5.5 Emergency mode (Heater only operation)

The emergency mode is available when a failure on the outdoor unit of the heat pump or a communication error occurs.

This mode uses booster heater or immersion heater as a heat source and automatically controls between the DHW mode and the heating mode. When the system is not incorporated with heater, the emergency mode is not available.

Before starting the emergency mode, turn off the outdoor unit and FTC (Main), and then turn Dip SW 4-5 to ON. Then, turn on FTC (Main) to start the emergency mode. FTC (Main) can be power-supplied by the outdoor unit or directly by power source.

If emergency mode is no longer required, please turn off both outdoor and indoor unit power supply before returning Dip SW4-5 to OFF position.

5.6 Emergency mode (Boiler operation)

The emergency mode is available when a failure on the outdoor unit of the heat pump or a communication error occurs.

This mode uses boiler as a heat source and automatically controls the heating mode. When the system is not incorporated with boiler, the emergency mode is not available.

Before starting the emergency mode, turn off the outdoor unit and FTC (Main), and then turn Dip SW 4-6 to ON. Then, turn on FTC (Main) to start the emergency mode. FTC (Main) can be power-supplied by the outdoor unit or directly by power source.

If emergency mode is no longer required, please turn off both outdoor and indoor unit power supply before returning Dip SW4-6 to OFF position.

5.7 Indoor unit only operation (during installation work)

In the case when DHW or heating operation is required prior to connection of the outdoor unit; i.e. during installation work, an electric heater in indoor unit (*1) can be used.

*1 Model with electric heater only.

*2 Not available during Multiple outdoor unit control.

1. To start operation

- Check if the indoor unit power supply is OFF, and turn DIP switch 4-4 and 4-5 ON.
- Turn ON the indoor unit power supply.

2. To end operation*

- Turn OFF the indoor unit power supply.
- Turn DIP switch 4-4 and 4-5 OFF.

*When the indoor unit only operation is ended, ensure to check over the settings after outdoor unit is connected.

Note:

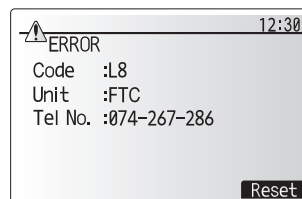
Prolonged running of the this operation may affect the life of the electric heater.

6.1 Check

After completing installation and the wiring and piping of the local application and outdoor units, check for refrigerant leakage, looseness in the power supply or control wiring, wrong polarity, and power cable is securely connected.
Use a 500-volt megohmmeter to check that the resistance between the power supply terminals and ground is at least 1.0MΩ.

Warning:
Do not use the system if the insulation resistance is less than 1.0MΩ.

Caution:
Do not carry out this test on the control wiring (low voltage circuit) terminals.



6.2 Self-check

When an error occurs when power is applied or during operation

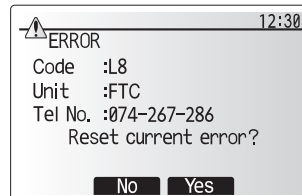
■ Indication of error details

The code, unit, address, and telephone number are displayed.

The telephone number is displayed if registered.

■ Resetting the error

Press the F4 (RESET) button, and the F3 (Yes) button to reset the current error.



Code	Error	Action
L3	Circulation water temperature overheat protection	Flow rate may be reduced check for; • Water leakage • Strainer blockage • Water circulation pump function (Error code may display during filling of primary circuit, complete filling and reset error code.)
L4	DHW tank water temperature overheat protection	Check the immersion heater and it's contactor.
L5	Indoor unit temperature thermistor (THW1, THW2, THW5B, THW6, THW7, THW8, THW9) failure	Check resistance across the thermistor.
L6	Circulation water freeze protection	See Action for L3.
L8	Heating operation error	Re-attach any thermistors that have become dislodged.
L9	Low primary circuit flow rate detected by flow sensor or flow switch (flow switches 1, 2, 3)	See Action for L3. If the flow sensor or flow switch itself does not work, replace it. Caution: The pump valves may be hot, please take care.
LA	Pressure sensor failure	Check pressure sensor cable for damage or loose connections.
LB	High pressure protection	• Flow rate of the heating circuit may be reduced. Check water circuit. • Plate heat exchanger may be clogged. Check the plate heat exchanger. • Outdoor unit failure. Check refrigerant volume, valve, LEV coil and pipe crushing of outdoor unit.
LC	Boiler circulation water temperature overheat protection	Check if the setting temperature of the Boiler for heating exceeds the restriction. (See the manual of the thermistors "PAC-TH012HT-E".) Flow rate of the heating circuit from the boiler may be reduced. Check for • water leakage • strainer blockage • water circulation pump function
LD	Boiler temperature thermistor (THWB1) failure	Check resistance across the thermistor.
LE	Boiler operation error	See Action for L8. Check the status of the boiler.
LF	Flow sensor failure	Check flow sensor cable for damage or loose connections.
LH	Boiler circulation water freeze protection	Flow rate of the heating circuit from the boiler may be reduced. Check for • water leakage • strainer blockage • water circulation pump function
LJ	DHW operation error (type of external plate HEX)	• Check for disconnection of DHW tank water temp. thermistor (THW5B). • Flow rate of the sanitary circuit may be reduced. • Check for water circulation pump function.
LL	Setting errors of DIP switches on FTC control board	For boiler operation, check that DIP SW1-1 is set to ON (With Boiler) and DIP SW2-6 is set to ON (With Mixing Tank). For 2-zone temperature control, check DIP SW2-7 is set to ON (2-zone) and DIP SW2-6 is set to ON (With Mixing Tank).
LP	Out of water flow rate range for outdoor heat pump unit	Check the installation Table 4.3.1 Check remote controller settings (Service menu / heat pump flow rate range) See Action for L3.
P1	Thermistor (Room temp.) (TH1) failure	Check resistance across the thermistor.
P2	Thermistor (Ref. liquid temp.) (TH2) failure	Check resistance across the thermistor.
P6	Anti-freeze protection of plate heat exchanger	See Action for L3. Check for correct amount of refrigerant.
J0	Communication failure between FTC and wireless receiver	Check connection cable for damage or loose connections.
J1 - J8	Communication failure between wireless receiver and wireless remote controller	Check wireless remote controller's battery is not flat. Check the pairing between wireless receiver to wireless remote controller. Test the wireless communication. (See the manual of wireless system.)
J9	Communication failure between FTC(Main) and FTC(Sub).	Check connection cable for damage or loose connections.
E0 - E5	Communication failure between main remote controller and FTC	Check connection cable for damage or loose connections.
E6 - EF	Communication failure between FTC and outdoor unit	Check that the outdoor unit has not been turned off. Check connection cable for damage or loose connections. Refer to outdoor unit service manual.
E9	Outdoor unit receives no signal from indoor unit.	Check both units are switched on. Check connection cable for damage or loose connections. Refer to outdoor unit service manual.
EE	Combination error between FTC and outdoor unit	Check combination of FTC and outdoor unit.
U*,F*,A*	Outdoor unit failure	Refer to outdoor unit service manual.

Note: To cancel error codes please switch system off (Press button F4(RESET) on Main remote controller).

For description of each LED (LED1 to 3) provided on the FTC, refer to the following table.

LED 1 (Power for microcomputer)	Indicates whether control power is supplied. Make sure that this LED is always lit.
LED 2 (Power for main remote controller)	Indicates whether power is supplied to the main remote controller. This LED lights only in the case of the FTC (Main) unit which is connected to the outdoor unit refrigerant address "0".
LED 3 (Communication between FTC and outdoor unit)	Indicates state of communication between the FTC and outdoor unit. Make sure that this LED is always blinking.

Note

(Marking for WEEE)



This symbol mark is for EU countries only.

This symbol mark is according to the directive 2012/19/EU Article 14 Information for users and Annex IX.

Your MITSUBISHI ELECTRIC product is designed and manufactured with high quality materials and components which can be recycled and reused. This symbol means that electrical and electronic equipment, at their end-of-life, should be disposed of separately from your household waste.

Please, dispose of this equipment at your local community waste collection/recycling centre.

In the European Union there are separate collection systems for used electrical and electronic product.

Please, help us to conserve the environment we live in!



7.1 Safety precautions

FOR USER

- ▶ Before installing the unit, make sure you read all the “Safety Precautions”.
- ▶ The “Safety Precautions” provide very important points regarding safety. Make sure you follow them.
- ▶ Please report to or take consent by the supply authority before connection to the system.

Symbols used in the text

⚠ **Warning:**

Describes precautions that should be observed to prevent danger of injury or death to the user.

⚠ **Caution:**

Describes precautions that should be observed to prevent damage to the unit.

Symbols used in the illustrations

⚡ : Indicates a part which must be grounded.

⚠ **Warning:**

- For appliances not accessible to the general public.
- The unit must not be installed by the user. Ask the dealer or an authorized company to install the unit. If the unit is installed improperly, water leakage, electric shock or fire may result.
- Do not stand on, or place any items on the unit.
- Do not splash water over the unit and do not touch the unit with wet hands. An electric shock may result.
- Do not spray combustible gas close to the unit. Fire may result.
- Do not place a gas heater or any other open-flame appliance where it will be exposed to the air discharged from the unit. Incomplete combustion may result.
- Do not remove the front panel or the fan guard from the outdoor unit when it is running.
- When you notice exceptionally abnormal noise or vibration, stop operation, turn off the power switch, and contact your dealer.

- Never insert fingers, sticks etc. into the intakes or outlets.
- If you detect odd smells, stop using the unit, turn off the power switch and consult your dealer. Otherwise, a breakdown, electric shock or fire may result.
- If the supply cable is damaged, it must be replaced by the manufacturer, its service agent or similarly qualified persons in order to avoid a hazard.
- This appliance is not intended for use by persons (including children) with reduced physical, sensory or mental capabilities, or lack of experience and knowledge, unless they have been given supervision or instruction concerning use of the appliance by a person responsible for their safety.
- Children should be supervised to ensure that they do not play with the appliance.
- If the refrigeration gas blows out or leaks, stop the operation of the air conditioner, thoroughly ventilate the room, and contact your dealer.
- Do not install in location that is hot or humid for long periods of time.

⚠ **Caution:**

- Do not use any sharp object to push the buttons, as this may damage the main remote controller.
- Never block or cover the indoor or outdoor unit’s intakes or outlets.

Disposing of the unit

When you need to dispose of the unit, consult your dealer.

7.2 Main remote controller

<Main remote controller parts>

Letter	Name	Function
A	Screen	Screen in which all information is displayed.
B	Menu	Access to system settings for initial set up and modifications.
C	Back	Return to previous menu.
D	Confirm	Used to select or save. (Enter key)
E	Power/Holiday	If system is switched off pressing once will turn system ON. Pressing again when system is switched on will enable Holiday Mode. Holding the button down for 3 secs will turn the system off. (*1)
F1-4	Function keys	Used to scroll through menu and adjust settings. Function is determined by the menu screen visible on screen A.

*1

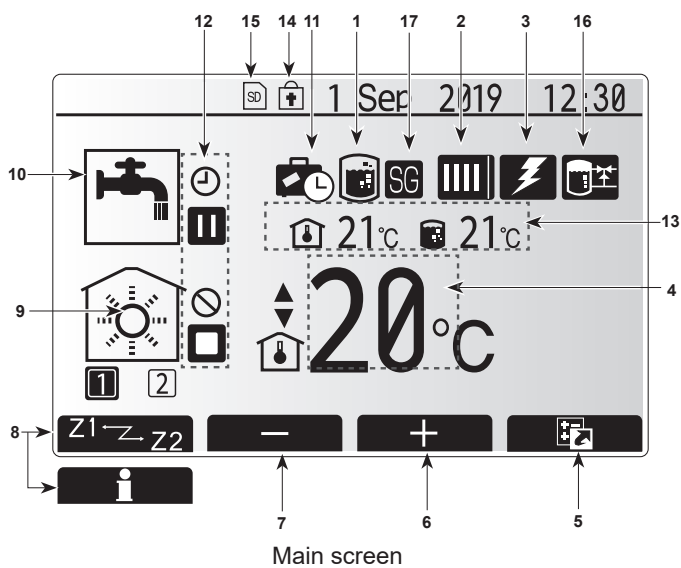
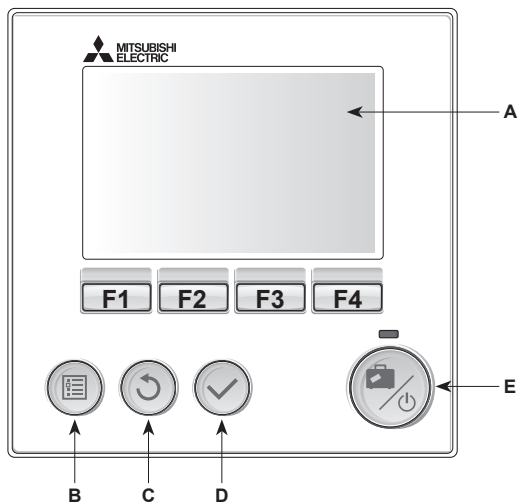
When the system is switched off or the power supply is disconnected, the indoor unit protection functions (e.g. freeze stat. function) will NOT operate. Please beware that without these safety functions enabled the indoor unit may potentially become exposed to damage.

<Main screen icons>

Icon	Description
1 Legionella prevention	When this icon is displayed 'Legionella prevention mode' is active.
2 Heat pump	'Heat pump' is running.
	Defrosting
	Emergency heating
	'Quiet mode' is activated.
3 Electric heater	When this icon is displayed the 'Electric heaters' (booster or immersion heater) are in use.
4 Target temperature	Target flow temperature
	Target room temperature
	Compensation curve
5 OPTION	Pressing the function button below this icon will display the option screen.
6 +	Increase desired temperature.
7 -	Decrease desired temperature.
8 Z1 Z2	Pressing the function button below this icon switches between Zone1 and Zone2.
	Information
9 Space heating (cooling) mode	Heating mode Zone1 or Zone2
	Cooling mode Zone1 or Zone2
10 DHW mode	Normal or ECO mode
11 Holiday mode	When this icon is displayed 'Holiday mode' activated.
12	Timer
	Prohibited
	Server control
	Stand-by
	Stand-by (*2)
	Stop
	Operating
13 Current temperature	Current room temperature
	Current water temperature of DHW tank
14	The Menu button is locked or the switching of the operation modes between DHW and Heating operations are disabled in the Option screen. (*3)
	SD memory card is inserted. Normal operation.
15	SD memory card is inserted. Abnormal operation.
	16 Buffer tank control
17 Smart grid ready	When this icon is displayed, 'Smart grid ready' is active.

*2 This unit is in Stand-by whilst other indoor unit(s) is in operation by priority.

*3 To lock or unlock the Menu, press the BACK and CONFIRM keys simultaneously for 3 seconds.



Main screen

Initial setting wizard

When the main remote controller is switched on for the first time, the screen automatically goes to Language setting screen , Date/Time setting screen and Main settings menu screen in order. Enter the desired number using the function keys and press CONFIRM.

Note:

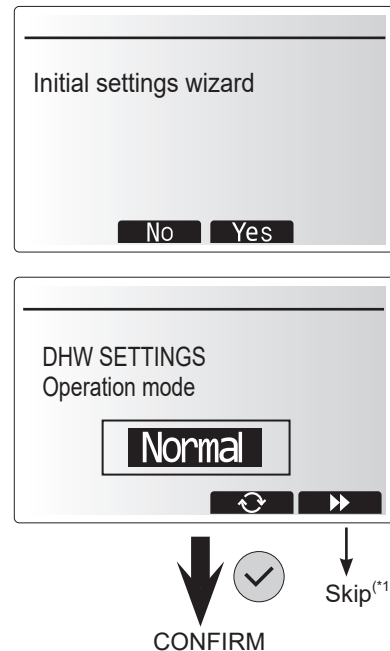
<HEATER CAPACITY RESTRICTION>

This setting restricts the booster heater capacity. It is NOT possible to change the setting after starting up.

If you do not have any special requirements (such as building regulations) in your country, skip this setting (select "No").

- Hot water (DHW/Legionella)
- Heating/Cooling
- Operation (ON/Prohibited/Timer)
- Pump speed
- Heat pump flow rate range
- Mixing valve control
- HEATER CAPACITY RESTRICTION

*1 The screen goes to the next setting screen. Changes have not been saved.



Flow temp. controller

Main Settings Menu

The main settings menu can be accessed by pressing the MENU button. To reduce the risk of untrained end users altering the settings accidentally there are two access levels to the main settings; and the service section menu is password protected.

User Level – Short press

If the MENU button is pressed once for a short time the main settings will be displayed but without the edit function. This will enable the user to view current settings but **NOT** change the parameters.

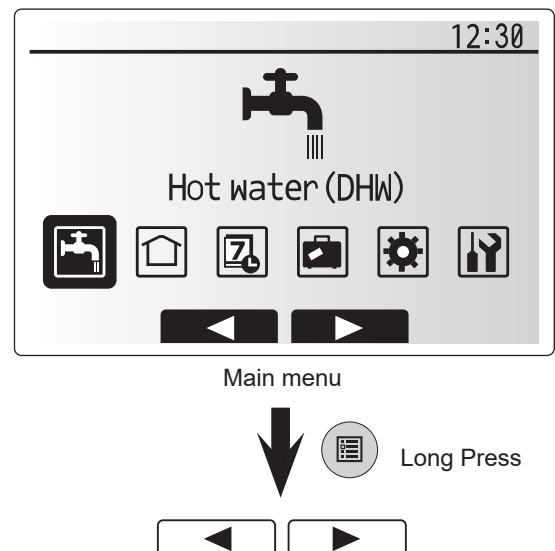
Installer Level – Long press

If the MENU button is pressed down for 3 seconds the main settings will be displayed with all functionality available.

The colour of ◀▶ buttons is inverted, as per figure on right. <Fig. 5.5.1>.

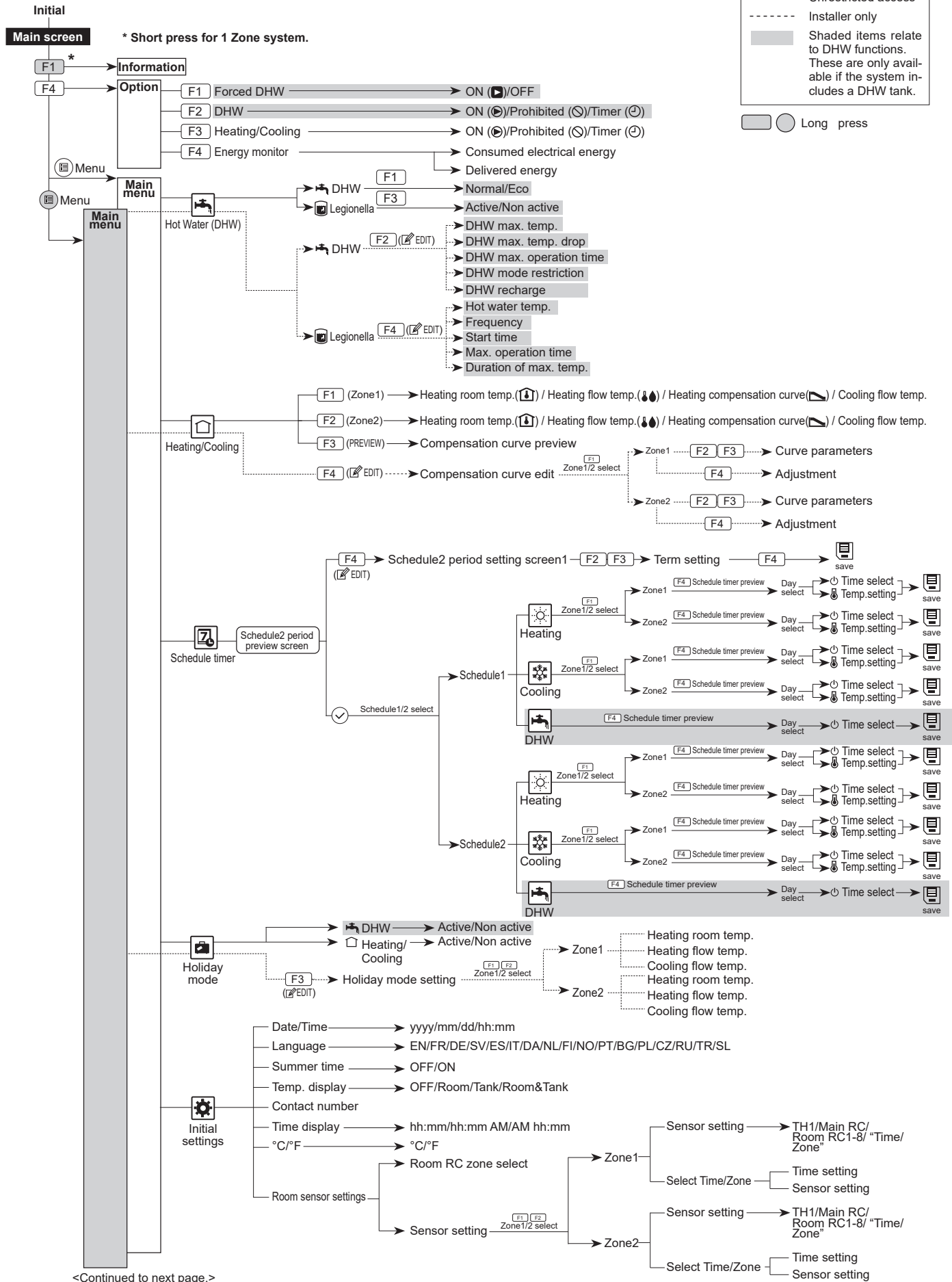
The following items can be viewed and/or edited (dependent on access level).

- Domestic Hot water (DHW)
- Heating/Cooling
- Schedule timer
- Holiday mode
- Initial settings
- Service (Password protected)



<Main Controller Menu Tree>

— Unrestricted access
 - - - - - Installer only
 ■ Shaded items relate to DHW functions. These are only available if the system includes a DHW tank.
 ○ Long press

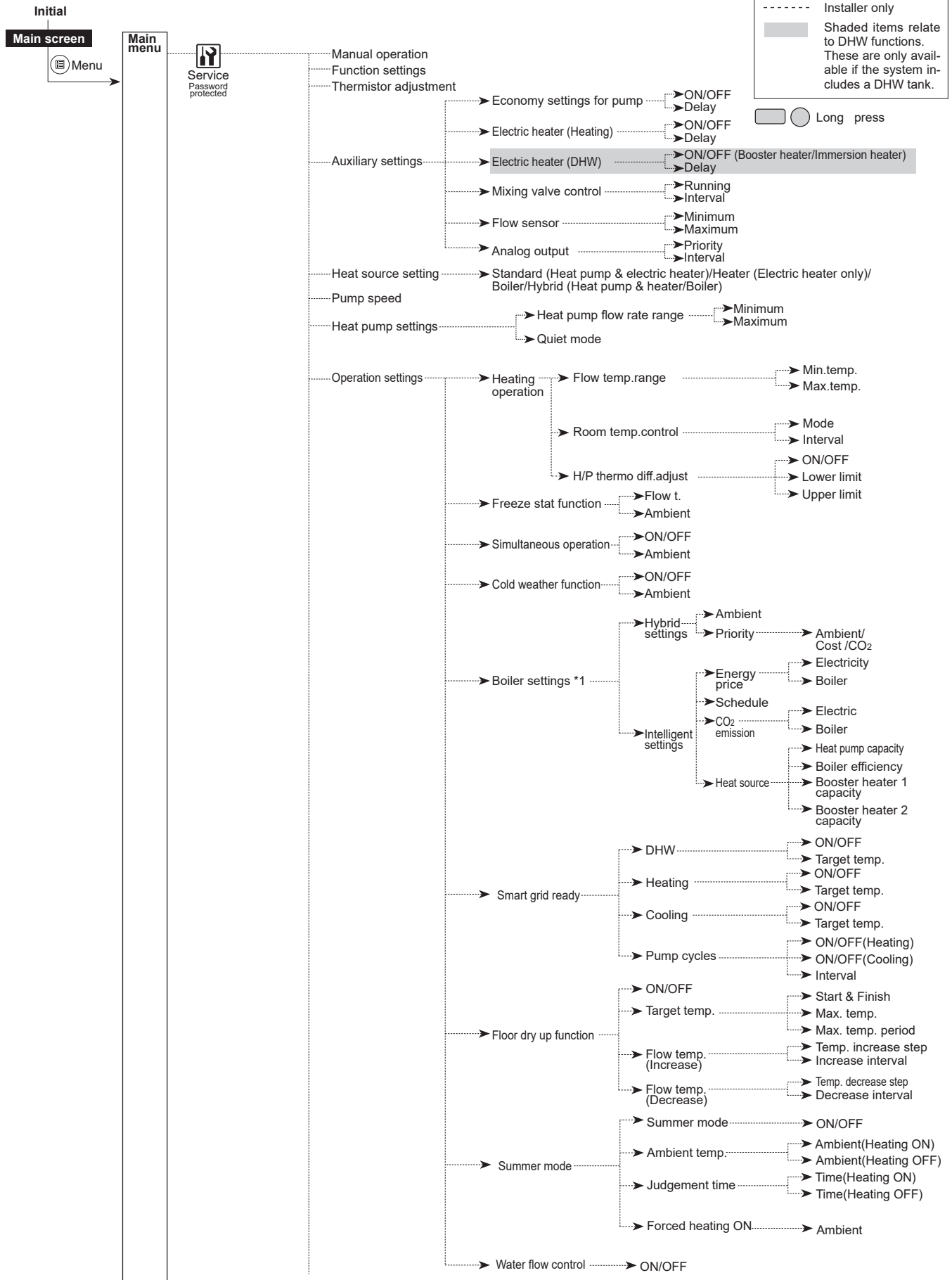


Flow temp. controller

<Continued to next page.>

<Continued from the previous page.>

<Main Controller Menu Tree>



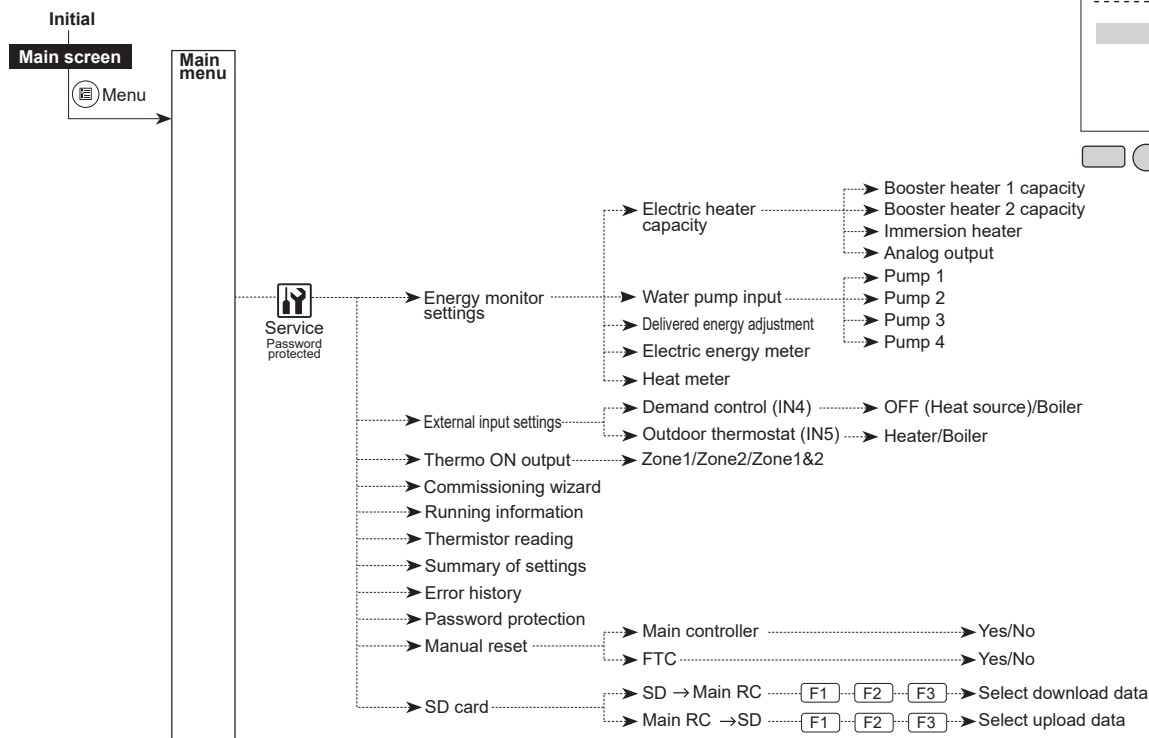
— Unrestricted access
 - - - - - Installer only
 ■ Shaded items relate to DHW functions. These are only available if the system includes a DHW tank.
 □ ○ Long press

Flow temp. controller

*1 For more details, refer to the installation manual of PAC-TH012HT(L)-E.

<Continued from the previous page.>

<Main Controller Menu Tree>



- Unrestricted access
- - - - - Installer only
- Shaded items relate to DHW functions. These are only available if the system includes a DHW tank.

□ ○ Long press

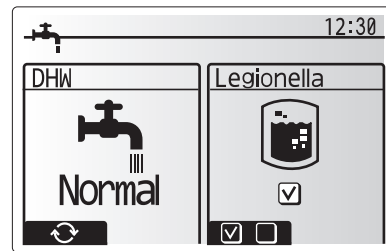
Flow temp. controller

Domestic Hot Water (DHW)/Legionella Prevention

The domestic hot water and legionella prevention menus control the operation of DHW tank heat ups.

<DHW mode settings>

1. Highlight the hot water icon and press CONFIRM.
2. Use button F1 to switch between Normal and ECO heating modes.
3. To edit the mode, press down the MENU button for 3 seconds, then select "hot water".
4. Press F2 key to display the HOTWATER (DHW) SETTING menu.
5. Use F2 and F3 keys to scroll through the menu selecting each component in turn by pressing CONFIRM. See the table below for description of each setting.
6. Enter the desired number using the function keys and press CONFIRM.



Menu subtitle	Function	Range	Unit	Default value
DHW max. temp.	Desired temperature of stored hot water	40 - 60	°C	50
DHW max. temp. drop	Difference in temperature between DHW max. temp. and the temperature at which DHW mode restarts	5 - 30 *	°C	10
DHW max. operation time	Max. time allowed for stored water heating DHW mode	30 - 120	min	60
DHW mode restriction	The time period after DHW mode when space heating has priority over DHW mode temporarily preventing further stored water heating (Only when DHW max. operation time has passed.)	30 - 120	min	30

* When the DHW max. temp is set over 55 °C, the temperature at which DHW mode restarts must be less than 50 °C to protect the device.

<Eco mode>

DHW mode can run in either 'Normal' or 'Eco' mode. Normal mode will heat the water in the DHW tank more quickly using the full power of the heat pump. Eco mode takes a little longer to heat the water in the DHW tank but the energy used is reduced. This is because heat pump operation is restricted using signals from the FTC based on measured DHW tank temperature.

Note: The actual energy saved in Eco mode will vary according to outdoor ambient temperature.

<DHW recharge>

Select the amount of DHW tank.

Return to the DHW/legionella prevention menu.

Legionella Prevention Mode settings (LP mode)

1. Use button F3 to choose legionella mode active YES/NO.
2. To edit the legionella function, press down the MENU button for 3 seconds and select "hot water", then press F4 key.
3. Use F1 and F2 keys to scroll through the menu selecting each subtitle in turn by pressing CONFIRM. See the table below for description of each setting.
4. Enter the desired number using the function keys and press CONFIRM.

During Legionella Prevention Mode the temperature of the stored water is increased above 60°C to inhibit legionella bacterium growth. It is strongly recommended that this is done at regular intervals. Please check local regulations for the recommended frequency of heat ups.

Please note that LP mode uses the assistance of electric heaters to supplement the energy input of the heat pump. Heating water for long periods of time is not efficient and will increase running costs. The installer should give careful consideration to the necessity of legionella prevention treatment whilst not wasting energy by heating the stored water for excessive time periods. The end user should understand the importance of this feature.
ALWAYS COMPLY WITH LOCAL AND NATIONAL GUIDANCE FOR YOUR COUNTRY REGARDING LEGIONELLA PREVENTION.

Note: When failures occur on the FTC unit, the LP mode may not function normally.

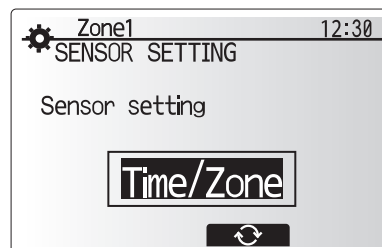
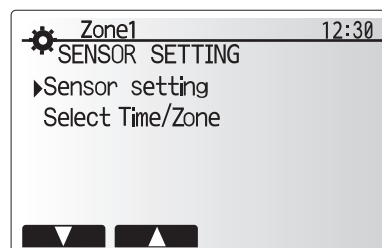
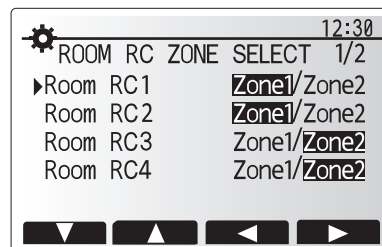
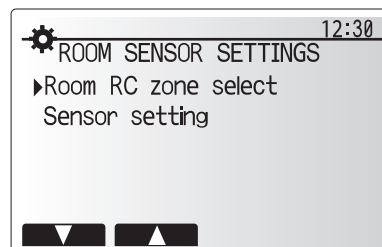
Menu subtitle	Function	Range	Unit	Default value
Hot water temp.	Desired temp. of stored hot water	60–70	°C	65
Frequency	Time between LP mode DHW tank heat up	1–30	day	15
Start time	Time when LP mode will begin	0:00–23:00	-	03:00
Max. operation time	Maximum time allowed for LP mode DHW tank heat	1–5	hour	3
Duration of max. temp.	The time period after LP mode desired water temp. has been reached	1–120	min	30

Initial Settings

<Room sensor settings>

For room sensor settings it is important to choose the correct room sensor depending on the heating mode the system will operate in.

1. From the Initial settings menu select Room sensor settings.
2. When 2-zone temperature control is active and wireless remote controllers are available, from Room RC zone select screen, select zone No. to assign to each remote controller.
3. From Sensor setting screen, select a room sensor to be used for monitoring the room temperature from Zone1 and Zone2 separately.
4. From Sensor setting screen, select Time/Zone to make it possible to use different room sensors according to the time schedule set in the Select Time/Zone menu. The room sensors can be switched up to 4 times within 24 hours.



Service Menu

The service menu provides functions for use by installer or service engineer. It is NOT intended the home owner alters settings within this menu. It is for this reason password protection is required to prevent unauthorised access to the service settings.

The factory default password is "0000".

Follow the procedure described in General Operation for the set up operation.

Many functions can not be set whilst the indoor unit is running. The installer should turn off the unit before trying to set these functions. If the installer attempts to change the settings whilst the unit is running the main remote controller will display a reminder message prompting the installer to stop operation before continuing. By selecting "Yes" the unit will cease operation.

<Manual operation>

During the filling of the system the primary circuit circulation pump and 3-way valve can be manually overridden using manual operation mode.

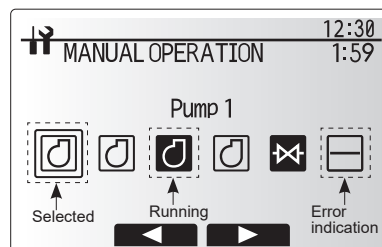
When manual operation is selected a small timer icon appears in the screen.

When selected, this function will only remain in manual operation for a maximum of 2 hours. This is to prevent accidental permanent override of the FTC.

► Example

Pressing F3 button will switch manual operation mode ON for the main 3-way valve. When filling of the DHW tank is complete the installer should access this menu again and press F3 to deactivate manual operation of the part.

Alternatively after 2 hours manual operation mode will no longer be active and FTC can resume control of the hydrobox.



Manual operation menu screen

Manual operation and heat source setting can not be selected if the system is running. A screen will be displayed asking the installer to stop the system before these modes can be activated. The system automatically stops 2 hours after last operation.

<Auxiliary settings>

Refer to Page C-21.

<Operation settings>

Heating operation

This function allows operational setting of flow temperature range from the Ecodan and also the time interval at which the FTC collects and processes data for the auto adaptation mode.

Menu subtitle		Function	Range	Unit	Default
Flow temp. range	Minimum temp.	To minimize the loss by frequent ON and OFF in mild outdoor ambient temperature seasons.	20 to 45	°C	30
	Maximum temp.	To set max. possible flow temperature according to the type of heat emitters.	35 to 60	°C	50
Room temp. control	Mode	Setting for Room temp. control At Fast mode, target outlet water temperature is set higher than the one set at normal mode. This reduces the time to reach the target room temperature when the room temperature is relatively low.*	Normal/ Fast	—	Normal
	Interval	Selectable according to the heat emitter type and the materials of floor (i.e. radiators, floor heating-thick, -thin concrete, wood, etc.)	10 to 60	min	10
Heat pump thermo diff.adjust	On/Off	To minimize the loss by frequent ON and OFF in mild outdoor ambient temperature seasons.	On/Off	—	On
	Lower limit	Prohibits heat pump operation until the flow temperature drops below the target flow temperature plus lower limit value.	-9 to -1	°C	-5
	Upper limit	Allows heat pump operation until the flow temperature rises above the target flow temperature plus upper limit value.	+3 to +5	°C	+5

<Table 7.1> Heating operation (Room temp. control table)

Note:

1. The minimum flow temperature that prohibits heat pump operation is 20°C.
2. The maximum flow temperature that allows heat pump operation equals to the maximum temperature set in the Flow temp. range menu.

* Fast mode is not efficient and will increase running cost when compared to normal mode.

Freeze stat function

Menu subtitle	Function/ Description
Freeze stat function *1	An operational function to prevent the water circuit from freezing when outdoor ambient temperature drops.
Flow t.	The target outlet water temperature at water circuit when operating in Freeze stat function. *2
	Outdoor ambient temp. Minimum outdoor ambient temperature which freeze stat function will begin to operate, (3 - 20°C) or choose**. If asterisk (**) is chosen freeze stat function is deactivated. (i.e. primary water freeze risk)"

*1. When the system is turned off, freeze stat function is not enabled.

*2. Flow t. is fixed to 20°C and unchangeable.

Simultaneous Operation

For periods of very low outside temperature this mode can be used. Simultaneous operation allows both DHW and space heating to run together by using the heat pump and/or booster heater to provide space heating whilst only the immersion heater provides heating for DHW. This operation is only available if BOTH a DHW tank AND immersion heater are present on the system.

- Range of outdoor ambient temperature at which simultaneous operation starts is -30°C to 10°C (default -15°C).
- System shall automatically return to routine operation. This will happen when the outdoor ambient temperature rises above the selected temperature for this specific mode of operation.

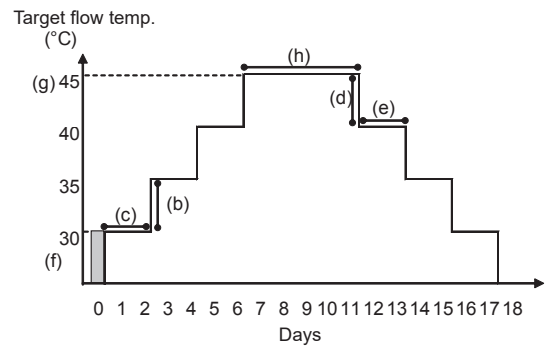
<Floor dry up function>

The Floor dry up function automatically changes the target hot water temperature in stages to gradually dry concrete when this particular type of underfloor heating system is installed.

Upon completion of the operation the system stops all the operations except the Freeze stat. operation.

For Floor dry up function, the target flow temp. of Zone1 is the same as that of Zone2.

- This function is not available when a PUAZ-FRP outdoor unit is connected.
- Disconnect wiring to external inputs of room thermostat, demand control, and outdoor thermostat, or the target flow temperature may not be maintained.



Functions	Symbol	Description	Option/Range	Unit	Default	
Floor dry up function	a	Set the function to ON and power on the system using the main remote controller, and the dry up heating operation will start.	On/Off	—	Off	
Flow temp. (increase)	Flow temp. increase step	b	Sets the increase step of the target flow temperature.	+1 to +10	°C	+5
	Increase interval	c	Sets the period for which the same target flow temperature is maintained.	1 to 7	day	2
Flow temp. (decrease)	Flow temp. decrease step	d	Sets the decrease step of the target flow temperature.	-1 to -10	°C	-5
	Decrease interval	e	Sets the period for which the same target flow temperature is maintained.	1 to 7	day	2
Target temperature	Start & Finish	f	Sets the target flow temperature at the start and the finish of the operation.	20 to 60	°C	30
	Max. target temp.	g	Sets the maximum target flow temperature.	20 to 60	°C	45
	Max. temp. period	h	Sets the period for which the maximum target flow temperature is maintained.	1 to 20	day	5

<Energy monitor settings>

In this menu, all parameters required to record the consumed electrical energy and the delivered heat energy which is displayed on the main remote controller can be set. The parameters are an electric heater capacity, supply power of water pump and heat meter pulse.

Follow the procedure described in General Operation for the set up operation.

For Pump 1, *** can be also set besides this setting.

In the case *** is selected, the system acknowledges "factory fitted pump" is selected.

Refer to 3.7 Energy Monitor.

<External input settings>

Demand control(IN4)

The selection of "OFF", whilst a signal is being sent to IN4, forcefully stops all the heat source operations and the selection of "Boiler" stops operations of heat pump and electric heater and performs boiler operation.

Outdoor thermostat (IN5)

The selection of "Heater", whilst a signal is being sent to IN5, performs electric-heater-only operation and the selection of "Boiler" performs boiler operation.

<Password protection>

Password protection is available to prevent unauthorised access to the service menu by untrained persons.

Resetting the password

If you forget the password you entered, or have to service a unit somebody else installed, you can reset the password to the factory default of 0000.

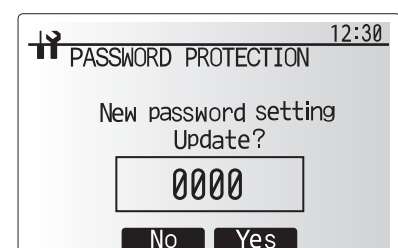
1. From the main settings menu scroll down the functions until Service Menu is highlighted.
2. Press CONFIRM.
3. You will be prompted to enter a password.
4. Hold down buttons F3 and F4 together for 3 seconds.
5. You will be asked if you wish to continue and reset the password to default setting.
6. To reset press button F3.
7. The password is now reset to 0000.

<Manual reset>

Should you wish to restore the factory settings at any time you should use the manual reset function. Please note this will reset ALL functions to the factory default settings.



Password input screen



Password verify screen

Engineers Forms

Should settings be changed from default, please enter and record new setting in 'Field Setting' column. This will ease resetting in the future should the system use change or the circuit board need to be replaced.

Commissioning/Field settings record sheet

Main remote controller screen		Parameters	Default setting	Field setting	Notes		
Main	Zone1 heating room temp.		10°C to 30°C	20°C			
	Zone2 heating room temp. *14		10°C to 30°C	20°C			
	Zone1 heating flow temp.		20°C to 60°C	45°C			
	Zone2 heating flow temp. *1		20°C to 60°C	35°C			
	Zone1 cooling flow temp. *12		5°C to 25°C	15°C			
	Zone2 cooling flow temp. *12		5°C to 25°C	20°C			
	Zone1 heating compensation curve		-9°C to +9°C	0°C			
	Zone2 heating compensation curve *1		-9°C to +9°C	0°C			
Holiday mode		Active/Non active/Set time	—				
Option	Forced DHW operation		On/Off	—			
	DHW		On/Off/Timer	On			
	Heating/Cooling		On/Off/Timer	On			
	Energy monitor		Consumed electrical energy/Delivered energy	—			
Setting	DHW *13	Operation mode	Normal/Eco *16	Normal			
		DHW max. temp.	40°C to 60°C *2	50°C			
		DHW temp. drop	5°C to 30°C	10°C			
		DHW max. operation time	30 to 120 min	60 min			
		DHW mode restriction	30 to 120 min	30 min			
		DHW recharge	Large/Standard	Large *19			
	Legionella prevention *13	Active	Yes/No	Yes			
		Hot water temp.	60°C to 70°C *2	65°C			
		Frequency	1 to 30 days	15 days			
		Start time	00.00 to 23.00	03.00			
		Max. operation time	1 to 5 hours	3 hours			
		Duration of maximum temp.	1 to 120 min	30 min			
	Heating/ Cooling *12	Zone1 operation mode		Heating room temp./ Heating flow temp./ Heating compensation curve/ Cooling flow temp.	Room temp.		
		Zone2 operation mode *1		Heating room temp./ Heating flow temp./ Heating compensation curve/ Cooling flow temp.	Compensation curve		
	Compensation curve	Hi flow temp. set point	Zone1 outdoor ambient temp.	-30°C to +33°C *3	-15°C		
			Zone1 flow temp.	20°C to 60°C	50°C		
			Zone2 outdoor ambient temp. *1	-30°C to +33°C *3	-15°C		
			Zone2 flow temp. *1	20°C to 60°C	40°C		
		Lo flow temp. set point	Zone1 outdoor ambient temp.	-28°C to +35°C *4	35°C		
			Zone1 flow temp.	20°C to 60°C	25°C		
			Zone2 outdoor ambient temp. *1	-28°C to +35°C *4	35°C		
			Zone2 flow temp. *1	20°C to 60°C	25°C		
		Adjust	Zone1 outdoor ambient temp.	-29°C to +34°C *5	—		
			Zone1 flow temp.	20°C to 60°C	—		
			Zone2 outdoor ambient temp. *1	-29°C to +34°C *5	—		
			Zone2 flow temp. *1	20°C to 60°C	—		
	Holiday	DHW *13		Active/Non active	Non active		
		Heating/ Cooling *12		Active/Non active	Active		
		Zone1 heating room temp.		10°C to 30°C	15°C		
		Zone2 heating room temp. *14		10°C to 30°C	15°C		
Zone1 heating flow temp.		20°C to 60°C	35°C				
Zone2 heating flow temp. *1		20°C to 60°C	25°C				
Zone1 cooling flow temp. *12		5°C to 25°C	25°C				
Zone2 cooling flow temp. *12		5°C to 25°C	25°C				
Initial settings	Language		EN/FR/DE/SV/ES/IT/DA/NL/FI/NO/PT/BG/PL/CZ/RU/TR/SL	EN			
	°C/°F		°C/°F	°C			
	Summer time		On/Off	Off			
	Temp. display		Room/DHW tank/Room&DHW tank /Off	Off			
	Time display		hh:mm/hh:mm AM/AM hh:mm	hh:mm			
	Room sensor settings for Zone1		TH1/Main RC/Room RC1 to 8/"Time/Zone"	TH1			
	Room sensor settings for Zone2 *1		TH1/Main RC/Room RC1 to 8/"Time/Zone"	TH1			
	Room RC zone select *1		Zone1/Zone2	Zone1			

(Continued to next page.)

■ Engineers Forms

Commissioning/Field settings record sheet

Main remote controller screen			Parameters		Default setting	Field setting	Notes	
Setting	Service menu	Thermistor adjustment	THW1	-10°C to +10°C	0°C			
			THW2	-10°C to +10°C	0°C			
			THW5B	-10°C to +10°C	0°C			
			THW6	-10°C to +10°C	0°C			
			THW7	-10°C to +10°C	0°C			
			THW8	-10°C to +10°C	0°C			
			THW9	-10°C to +10°C	0°C			
			THW10	-10°C to +10°C	0°C			
			THWB1	-10°C to +10°C	0°C			
			Auxiliary settings	Economy settings for pump.	On/Off *6	On		
		Delay (3 - 60 min)			10 min			
		Electric heater (Heating)		Space heating: On (used)/Off (not used)	On			
				Electric heater delay timer (5 to 180 min)	30 min			
		Electric heater (DHW) *13		Booster heater	DHW: On (used)/Off (not used)	On		
				Immersion heater	DHW: On (used)/Off (not used)	On		
				Electric heater delay timer (15 to 30 min)	15 min			
		Mixing valve control		Running (10 to 240 sec)	120 sec			
				Interval (1 to 30 min)	2 min			
		Flow sensor *18		Minimum (0 to 100 L/min)	5 L/min			
				Maximum (0 to 100 L/min)	100 L/min			
		Analog output		Interval (1 to 30 min)	5 min			
				Priority (Normal/High)	Normal			
		Pump speed		DHW	Pump speed (1 to 5)	5		
				Heating/Cooling	Pump speed (1 to 5)	5		
		Heat source setting	Standard/Heater/Boiler/Hybrid *7		Standard			
		Heat pump setting	Heat pump flow rate range	Minimum (0 to 100 L/min)	5 L/min			
				Maximum (0 to 100 L/min)	100 L/min			
			Quiet mode	Day (Mon to Sun)	—			
				Time	0:00 - 23:45			
		Quiet level (Normal/ Level1/ Level2)	Normal					
		Operation settings	Heating operation	Flow temp.range *10	Min.temp. (20 to 45°C)	30°C		
					Max.temp. (35 to 60°C)	50°C		
				Room temp.control *15	Mode (Normal/Fast)	Normal		
					Interval (10 to 60min)	10min		
				Heat pump thermo diff.adjust	On/Off *6	On		
			Lower limit (-9 to -1°C)		-5°C			
			Upper limit (+3 to +5°C)		5°C			
			Freeze stat function *11	Outdoor ambient temp. (3 to 20°C) / **		5°C		
			Simultaneous operation (DHW/ Heating)	On/Off *6	Off			
				Outdoor ambient temp. (-30 to +10°C) *3	-15°C			
			Cold weather function	On/Off *6	Off			
				Outdoor ambient temp. (-30 to -10°C) *3	-15°C			
			Boiler operation	Hybrid settings	Outdoor ambient temp. (-30 to +10°C) *3		-15°C	
					Priority mode (Ambient/Cost/CO ₂) *17	Ambient		
					Outdoor ambient temp. rise (+1 to +5 °C)		+3 °C	
					Intelligent settings	Energy price *9	Electricity (0.001 to 999 */kWh)	0.5 */kWh
				Boiler (0.001 to 999 */kWh)			0.5 */kWh	
				CO ₂ emission		Electricity (0.001 to 999 kg -CO ₂ /kWh)	0.5 kg -CO ₂ / kWh	
						Boiler (0.001 to 999 kg -CO ₂ /kWh)	0.5 kg -CO ₂ / kWh	
				Heat source		Heat pump capacity (1 to 40 kW)	11.2 kW	
		Boiler efficiency (25 to 150%)				80%		
		Booster heater 1 capacity (0 to 30 kW)		2 kW				
		Booster heater 2 capacity (0 to 30 kW)	4 kW					

(Continued to next page.)

Engineers Forms

Commissioning/Field settings record sheet (continued from the previous page)

Main remote controller screen				Parameters		Default setting	Field setting	Notes
Service menu	Operation settings	Smart grid ready	DHW	On/Off		Off		
				Target temp(+1- +20°C) / -- (Non active)		--		
			Heating	On/Off		Off		
				Target temp.	Switch-on recommendation (20 - 60°C)	50°C		
					Switch-on command (20 - 60°C)	55°C		
			Cooling	On/Off		Off		
				Target temp.	Switch-on recommendation (5 - 25°C)	15°C		
					Switch-on command (5 - 25°C)	10°C		
			Pump cycles	Heating (On/Off)		On		
				Cooling (On/Off)		On		
				Interval (10-120 min)		10 min		
			Floor dry up function	On/Off *6		Off		
				Target temp.	Start&Finish (20 - 60°C)	30°C		
					Max. temp. (20 - 60°C)	45°C		
					Max. temp. period (1 - 20 days)	5 days		
		Flow temp. (Increase)		Temp. increase step (+1 - +10°C)	+5°C			
				Increase interval (1 - 7 days)	2 days			
		Flow temp. (Decrease)		Temp. decrease step (-1 - -10°C)	-5°C			
				Decrease interval (1 - 7 days)	2 days			
		Summer mode		On/Off		Off		
				Outdoor ambient temp.	Heating ON (4-19°C)	10°C		
			Heating OFF (5-20°C)		15°C			
			Judgement time	Heating ON (1-48 hours)	6 hours			
				Heating OFF (1-48 hours)	6 hours			
		Forced heating ON (-30 - 10°C)	5 °C					
		Water flow control		On/Off		Off		
		Energy monitor settings	Electric heater capacity	Booster heater 1 capacity	0 - 30 kW	2 kW		
				Booster heater 2 capacity	0 - 30 kW	4 kW		
				Immersion heater capacity	0 - 30 kW	0 kW		
				Analog output	0 - 30 kW	0 kW		
			Delivered energy adjustment		-50 - +50%	0%		
			Water pump input	Pump 1	0 - 200 W or *** (factory fitted pump)	***		
				Pump 2	0 - 200 W	0 W		
				Pump 3	0 - 200 W	0 W		
				Pump 4 *19	0 - 200 W	72 W		
			Electric energy meter *8		0.1/1/10/100/1000 pulse/kWh	1000 pulse/kWh		
		Heat meter *8		0.1/1/10/100/1000 pulse/kWh	1000 pulse/kWh			
		External input settings	Demand control (IN4)		Heat source OFF/Boiler operation	Boiler operation		
			Outdoor thermostat (IN5)		Heater operation/Boiler operation	Boiler operation		
		Thermo ON output		Zone1/Zone2/Zone1&2		Zone1&2		

*1 The settings related to Zone2 can be switched only when 2 Zone temperature control is enabled (when DIP SW2-6 and SW 2-7 are ON).

*2 For the model without both booster and immersion heater, it may not reach the set temperature depending on the outside ambient temperature.

*3 The lower limit is -15°C depending on the connected outdoor unit.

*4 The lower limit is -13°C depending on the connected outdoor unit.

*5 The lower limit is -14°C depending on the connected outdoor unit.

*6 On: the function is active; Off: the function is inactive.

*7 When DIP SW1-1 is set to OFF "WITHOUT Boiler" or SW2-6 is set to OFF "WITHOUT Mixing tank", neither Boiler nor Hybrid can be selected.

*8 The default setting is 1 pulse/kWh depending on the connected indoor unit.

9 "" of "*/kWh" represents currency unit (e.g. € or £ or the like)

*10 Valid only when operating in Heating room temperature.

*11 If asterisk (**) is chosen freeze stat function is deactivated. (i.e. primary water freeze risk)

12 Cooling mode settings are available for ERS model only.

*13 Only available if DHW tank present in system.

*14 The settings related to Zone2 can be switched only when 2-zone temperature control or 2-zone valve ON/OFF control is active.

*15 When DIP SW5-2 is set to OFF, the function is active.

*16 When the hydrobox is connected with a PUMY-P outdoor unit, the mode is fixed to "Normal".

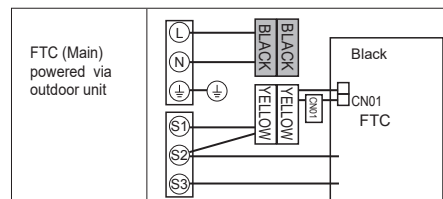
*17 When the hydrobox is connected with a PUMY-P outdoor unit, the mode is fixed to "Ambient".

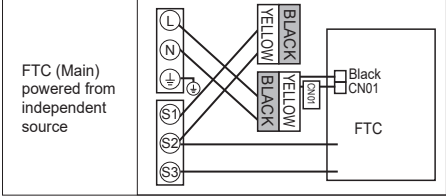
*18 Do not change the setting since it is set according to the specification of flow sensor attached to the hydrobox.

*19 This setting is valid for only cylinder units.

<Troubleshooting by inferior phenomena>

No.	Fault symptom	Possible cause	Explanation - Solution
1	Main remote controller display is blank.	<ol style="list-style-type: none"> There is no power supply to main remote controller. Power is supplied to main remote controller, however, the display on the main remote controller does not appear. 	<ol style="list-style-type: none"> Check LED2 on FTC (Main). (See <Figure 4.5.1>.) <ol style="list-style-type: none"> When LED2 is lit. Check for damage or contact failure of the main remote controller wiring. When LED2 is blinking. Refer to No. 5 below. When LED2 is not lit. Refer to No. 4 below. Check the following: <ul style="list-style-type: none"> Disconnection between the main remote controller cable and the FTC (Main) control board Failure of the main remote controller if "Please Wait" is not displayed. Refer to No. 2 below if "Please Wait" is displayed.
2	"Please Wait" remains displayed on the main remote controller.	<ol style="list-style-type: none"> "Please Wait" is displayed for up to 6 minutes. Communication failure between the main remote controller and FTC (Main). Communication failure between FTC (Main) and outdoor unit. 	<ol style="list-style-type: none"> Normal operation. 3. Main remote controller start up checks/procedure. <ol style="list-style-type: none"> If "0%" or "50-99%" is displayed below "Please Wait" there is a communication error between the main remote controller and the FTC (Main) control board. <ul style="list-style-type: none"> Check wiring connections on the main remote controller. Replace the main remote controller or the FTC (Main) control board. If "1-49%" is displayed there is a communication error between the outdoor unit's and FTC (Main) control boards. <ul style="list-style-type: none"> Check the wiring connections on the outdoor unit control board and the FTC (Main) control board. (Ensure S1 and S2 are not cross-wired and S3 is securely wired with no damage. (See section 4.1.) Replace the outdoor unit's and/or the FTC (Main) control boards.
3	The main screen appears with a press of the "ON" button, but disappears in a second.	The main remote controller operations do not work for a whilst after the settings are changed in the service menu. This is because the system takes time to apply the changes.	Normal operation. The indoor unit is applying updated settings made in the service menu. Normal operation will start shortly.
4	LED2 on FTC (Main) is off. (See <Figure 4.5.1>.)	<p>When LED1 on FTC (Main) is also off. (See <Figure 4.5.1>.) <FTC (Main) powered via outdoor unit.></p> <ol style="list-style-type: none"> The outdoor unit is not supplied at the rated voltage. Defective outdoor controller circuit board FTC (Main) is not supplied with 220 to 240V AC FTC (Main) failure Faulty connector wiring 	<ol style="list-style-type: none"> Check the voltage across the terminals L and N or L3 and N on the outdoor power board. (See section 4.1.) <ul style="list-style-type: none"> When the voltage is not 220 to 240V AC, check wiring of the outdoor unit and of the breaker. When the voltage is at 220 to 240V AC, go to "2." below. Check the voltage across the outdoor unit terminals S1 and S2. (See section 4.1.) <ul style="list-style-type: none"> When the voltage is not 220 to 240V AC, check the fuse on the outdoor control board and check for faulty wiring. When the voltage is 220 to 240V AC, go to "3." below. Check the voltage across the indoor unit terminals S1 and S2. (See section 4.1.) <ul style="list-style-type: none"> When the voltage is not 220 to 240V AC, check FTC (Main)-outdoor unit wiring for faults. When the voltage is 220 to 240V AC, go to "4." below. Check the FTC (Main) control board. <ul style="list-style-type: none"> Check the fuse on FTC (Main) control board. Check for faulty wiring. If no problem found with the wiring, the FTC (Main) control board is faulty. Check the connector wiring. <ul style="list-style-type: none"> When the connectors are wired incorrectly, re-wire the connectors referring to below. (See section 4.1.)



No.	Fault symptom	Possible cause	Explanation - Solution
4.	LED2 on FTC (Main) is off. (See Figure <4.5.1>)	<FTC (Main) powered on independent source> 1. FTC (Main) is not supplied with 220 to 240V AC. 2. There are problems in the method of connecting the connectors.	1. Check the voltage across the L and N terminals on the indoor power supply terminal block. (See section 4.1.) • When the voltage is not 220 to 240V AC, check for faulty wiring to power supply. • When the voltage is 220 to 240V AC, go to 2. below. 2. Check for faulty wiring between the connectors. • When the connectors are wired incorrectly re-wire them correctly referring to below. (See section 4.1 and a wiring diagram on the control and electrical box cover.)  • If no problem found with the wiring, go to 3. below.
		3. FTC (Main) failure	3. Check the FTC (Main) control board. • Check the fuse on FTC (Main) control board. • Check for faulty wiring. • If no problem found with the wiring, the FTC (Main) control board is faulty.
		When LED1 on FTC (Main) is lit. Incorrect setting of refrigerant address for outdoor unit. (None of the refrigerant address is set to "0".)	Recheck the refrigerant address setting on the outdoor unit. Set the refrigerant address to "0". (Set refrigerant address using SW1(3 - 6) on outdoor controller circuit board.)
5	LED2 on FTC (Main) is blinking. (See Figure <4.5.1>)	When LED1 is also blinking on FTC (Main). Faulty wiring between FTC (Main) and outdoor unit	Check for faulty wiring between FTC (Main) and outdoor unit.
		When LED1 on FTC (Main) is lit. 1. Faulty wiring in main remote controller Multiple indoor units have been wired to a single outdoor unit. 2. Short-circuited wiring in main remote controller 3. Main remote controller failure	1. Check for faulty wiring in main remote controller. The number of indoor units that can be wired to a single outdoor unit is one. Additional indoor units must be wired individually to a single outdoor unit. 2,3. Remove main remote controller wires and check LED2 on FTC (Main). (See Figure 4.5.1.) • If LED2 is blinking check for short circuits in the main remote controller wiring. • If LED2 is lit, wire the main remote controller again and: - if LED2 is blinking, the main remote controller is faulty; - if LED2 is lit, faulty wiring of the main remote controller has been corrected.
6	LED4 on FTC (Main) is off. (See figure <4.5.1>)	1. SD memory card is NOT inserted into the memory card slot with correct orientation. 2. Not an SD standards compliant memory card.	1. Correctly insert SD memory card in place until a click is heard. 2. Use an SD standards compliant memory card. (Refer to section 4.11.)
	LED4 on FTC (Main) is blinking. (See Figure <4.5.1>)	1. Full of data. 2. Write-protected. 3. NOT formatted. 4. Formatted in NTFS file system.	1. Move or delete data, or replace SD memory card with a new one. 2. Release the write-protect switch. 3. Refer to "4.11 Using SD memory card". 4. FTC is Not compatible with NTFS file system. Use an SD memory card formatted in FAT file system.
7	No water at hot tap.	1. Cold main off 2. Strainer (local supply) blocked.	1. Check and open stop cock. 2. Isolate water supply and clean strainer.
8	Cold water at tap.	1. Hot water run out. 2. Prohibit, schedule timer or holiday mode selected. 3. Heat pump not working. 4. Booster heater cut-out tripped. 5. The earth leakage circuit breaker for booster heater breaker (ECB1) tripped. 6. The booster heater thermal cut-out has tripped and cannot be reset using the manual reset button. 7. Immersion heater cut-out tripped. 8. Immersion heater breaker (ECB2) tripped. 9. 3-way valve fault	1. Ensure DHW mode is operating and wait for DHW tank to re-heat. 2. Check settings and change as appropriate. 3. Check heat pump – consult outdoor unit service manual. 4. Check booster heater thermostat and press reset button if safe. 5. Check the cause and reset if safe. 6. Check resistance across the thermal cut-out, if open then the connection is broken and the booster heater will have to be replaced. Contact your Mitsubishi Electric dealer. 7. Check immersion heater thermostat and press reset button, located on immersion heater boss, if safe. If the heater has been operated with no water inside it may have failed, so please replace it with a new one. 8. Check the cause and reset if safe. 9. Check plumbing/wiring to 3-way valve. (i) Manually override 3-way valve using the main remote controller. (Refer to <Manual operation> in section 7.2.) If the valve does not still function, go to (ii) below. (ii) Replace 3-way valve coil. If the valve does not still function, go to (iii) below. (iii) Replace 3-way valve. (Refer to the service manual.)

No.	Fault symptom	Possible cause	Explanation - Solution
9	Water heating takes longer.	<ol style="list-style-type: none"> Heat pump not working. Booster heater cut-out tripped. Booster heater breaker tripped. The booster heater thermal cut-out has tripped and cannot be reset using the manual reset button. Immersion heater cut-out has been triggered. Immersion heater breaker tripped. Decreased flow rate in DHW circuit. (Only when the external plate HEX for DHW is used.) 	<ol style="list-style-type: none"> Check heat pump – consult outdoor unit service manual. Check booster heater thermostat and press reset button if safe. Check the cause and reset if safe. Check resistance across the thermal cut-out, if open then connection is broken and the booster heater will have to be replaced. Contact your Mitsubishi Electric dealer. Check immersion heater thermostat and press reset button located on immersion heater boss, if safe. If the heater kept running with no water inside, this may have resulted in failure, so replace it with a new one. Check the cause and reset if safe. Check the water circulation pump 4 (DHW).
10	Temperature of DHW tank water dropped.	<p>When DHW operation is not running, the DHW tank emits heat and the water temperature decreases to a certain level. If water in the DHW tank is reheated frequently because of a significant drop in water temperature, check for the following.</p> <ol style="list-style-type: none"> Water leakage in the pipes that connect to the DHW tank Insulation material coming loose or off. 3-way valve failure 	<ol style="list-style-type: none"> Take the following measures. <ul style="list-style-type: none"> Retighten the nuts holding the pipes onto the DHW tank. Replace seal materials. Replace the pipes. Fix insulation. Check plumbing/wiring to 3-way valve. <ol style="list-style-type: none"> Manually override 3-way valve using the main remote controller. (Refer to <Manual operation> in section 7.2.) If the valve does not still function, go to (ii) below. Replace 3-way valve coil. If the valve does not still function, go to (iii) below. Replace 3-way valve. (Refer to the service manual.)
11	Hot or warm water from cold tap.	Heat of hot water pipe is transferred to cold water pipe.	Insulate/re-route pipework.
12	Water leakage	<ol style="list-style-type: none"> Poorly sealed connections of water circuit components Water circuit components reaching the end of life 	<ol style="list-style-type: none"> Tighten connections as required. Refer to PARTS CATALOG in the service manual for expected part lifetimes and replace them as necessary.
13	Heating system does not reach the set temperature.	<ol style="list-style-type: none"> Prohibit, schedule timer or holiday mode selected. Check settings and change as appropriate. The temperature sensor is located in a room that has a different temperature relative to that of the rest of the house. Heat pump not working. Booster heater cut-out tripped. Booster heater breaker (ECB1) tripped. The booster heater thermal cut-out tripped and can not be reset using the manual reset button. Incorrectly sized heat emitter. 3-way valve failure Battery problem (*wireless control only) If a mixing tank is installed, the flow rate between the mixing tank and the heat exchanger is less than that between the mixing tank and the local system. 	<ol style="list-style-type: none"> Check settings and change as appropriate. Check the battery power and replace if flat. Relocate the temperature sensor to a more suitable room. Check heat pump – consult outdoor unit service manual. Check booster heater thermostat and press reset button if safe. Check the cause of the trip and reset if safe. Check resistance across the thermal cut-out, if open then the connection is broken and the booster heater will have to be replaced. Contact your Mitsubishi Electric dealer. Check the heat emitter surface area is adequate Increase size if necessary. Check plumbing/wiring to 3-way valve. Check the battery power and replace it flat. Increase the flow rate between the mixing tank and the heat exchanger decrease that between the mixing tank and the local system.
14	In 2-zone temperature control, only Zone2 does not reach the set temperature.	<ol style="list-style-type: none"> When Zone1 and Zone2 are both in heating mode, the hot water temperature in Zone2 does not exceed that in Zone1. Faulty wiring of motorized mixing valve Faulty installation of motorized mixing valve Incorrect setting of Running time Motorized mixing valve failure 	<ol style="list-style-type: none"> Normal action no action necessary. Refer to "4.7 Wiring for 2-zone temperature control". Check for correct installation. (Refer to the manual included with each motorized mixing valve.) Check for correct setting of Running time. Inspect the mixing valve. (Refer to the manual included with each motorized mixing valve.)
15	After DHW operation room temperature rises slightly.	<p>At the end of the DHW mode operation the 3-way valve diverts hot water away from the DHW circuit into space heating circuit. This is done to prevent the system components from overheating. The amount of hot water directed into the space heating circuit varies according to the type of the system.</p>	Normal operation no action necessary.

No.	Fault symptom	Possible cause	Explanation - Solution
16	The room temperature rises during DHW operation.	3-way valve failure	Check the 3-way valve.
17	Water discharges from pressure relief valve. (Primary circuit)	<ol style="list-style-type: none"> 1. If continual – pressure relief valve may be damaged. 2. If intermittent – expansion vessel charge may have reduced/bladder perished. 	<ol style="list-style-type: none"> 1. Turn the handle on the pressure relief valve to check for foreign objects in it. If the problem is not still solved, replace the pressure relief valve with a new one. 2. Check pressure in expansion vessel. Recharge to 1 bar if necessary. If bladder perished replace expansion vessel with a new one.
18	Water discharges from pressure relief valve (field supplied item). (Sanitary circuit)	<ol style="list-style-type: none"> 1. If continual – field supplied pressure reducing valve not working. 2. If continual – pressure relief valve seat may be damaged. 3. If intermittent – expansion vessel charge may have reduced/bladder perished. 4. DHW tank may have subjected to backflow. 	<ol style="list-style-type: none"> 1. Check function of pressure reducing valve and replace if necessary. 2. Turn the handle on the pressure relief valve to check for foreign objects inside. If the problem is not still solved, replace the pressure relief valve. 3. Check gas-side pressure in expansion vessel. Recharge to correct precharge pressure if necessary. If bladder perished replace expansion vessel with a new one with appropriate pre-charge. 4. Check gas-side pressure in DHW tank. If pressure in DHW tank is similar to that in incoming mains, cold water supply that merges with incoming mains water supply could flow back to DHW tank. Investigate source of back-feed and rectify error in pipework/fitting configuration. Adjust pressure in cold supply.
19	Noisy water circulation pump	Air in water circulation pump.	Use manual and automatic air vents to remove air from system. Top up water if necessary to achieve 1 bar on primary circuit.
20	Noise during hot water draw off typically worse in the morning.	<ol style="list-style-type: none"> 1. Loose airing cupboard pipework. 2. Heaters switching on/off. 	<ol style="list-style-type: none"> 1. Install extra pipe fastening clips. 2. Normal operation no action necessary.
21	Mechanical noise heard coming from the system.	<ol style="list-style-type: none"> 1. Heaters switching on/off. 2. 3-way valve changing position between DHW and heating mode. 	Normal operation no action necessary.
22	Water circulation pump runs for a short time unexpectedly .	Water circulation pump jam prevention mechanism (routine) to inhibit the build-up of scale.	Normal operation no action necessary.
23	Milky/Cloudy water (Sanitary circuit)	Oxygenated water	Water from any pressurised system will release oxygen bubbles when water is running. The bubbles will settle out.
24	Heating mode has been on standby for a long time (does not start operation smoothly.)	The time of "Delay" set in "Economy settings for pump" is too short. (Go to "Service menu" → "Auxiliary settings" → "Economy settings for pump")	Increase the time of "Delay" in "Economy settings for pump" .
25	The FTC unit that was running in the heating mode before power failure is running in the DHW mode after power recovery.	The FTC unit is designed to run in an operation mode with a higher priority (i.e. DHW mode in this case) at power recovery.	<ul style="list-style-type: none"> • Normal operation. • After the DHW max. operation time has elapsed or the DHW max. temperature has been reached, the DHW mode switches to the other mode (ex. Heating mode).
26	Cooling mode is NOT available.	Dip SW2-4 is OFF.	Turn Dip SW2-4 to ON. (Refer to "5.1 Dip Switch Functions" in this manual.)
27	The cooling system does not cool down to the set temperature.	<ol style="list-style-type: none"> 1. When the water in the circulation circuit is unduly hot, Cooling mode starts with a delay for the protection of the outdoor unit. 2. When the outdoor temperature is lower than the preset temperature below which the freeze stat. function is activated, Cooling mode does not start running. 	<ol style="list-style-type: none"> 1. Normal operation. 2. To run Cooling mode overriding the freeze stat. function, adjust the preset temperature below which the freeze stat. function is activated. (Refer to "<Freeze stat function>" on Page C-40.
28	The electric heaters are activated shortly after DHW or LP mode starts running after Cooling mode.	The setting time period of Heat-pump-only operation is short.	Adjust the setting time period of Heat-pump only operation. (Refer to Refer to "Electric heater (DHW)" in the table of <Auxiliary settings> on Page C-21.)
29	During DHW or LP mode following the cooling mode, error L6 (circulation water freeze protection) occurs and operation stops frequently.	If the preset temperature below which the freeze stat. function is activated is low, error L6 is more likely to occur interruption operation before the freeze stat. function is activated.	Adjust the preset temperature below which the freeze stat. function is activated. (Refer to "<Freeze stat function>" on Page C-40.)
30	Heat pump is forced to turn ON and OFF.	Smart grid ready input (IN11 and IN12) is used, and switch-on and off commands are input.	Normal operation no action necessary.

9.1 Wiring for multiple outdoor units control

To establish a larger system, up to 6 outdoor units of the same model can be connected in one system.

Note:

- SUZ-SWM outdoor unit can not be connected.
- Split type outdoor unit using R32 refrigerant can not be connected.
- PUZ-(H)WM outdoor unit can not be connected to PAC-SIF051B-E.
- Flow sensor is necessary for PUZ-(H)WM outdoor unit.
- PUZ-(H)WM outdoor unit DIP switch settings changed to SW5-5 ON.

9.1.1 Requirements

<Outdoor unit>

- (a) Up to 6 units can be connected.
- (b) All the outdoor units must be of the same model.
- (c) The outdoor units must be connected to sub units.

<FTC: Main unit>

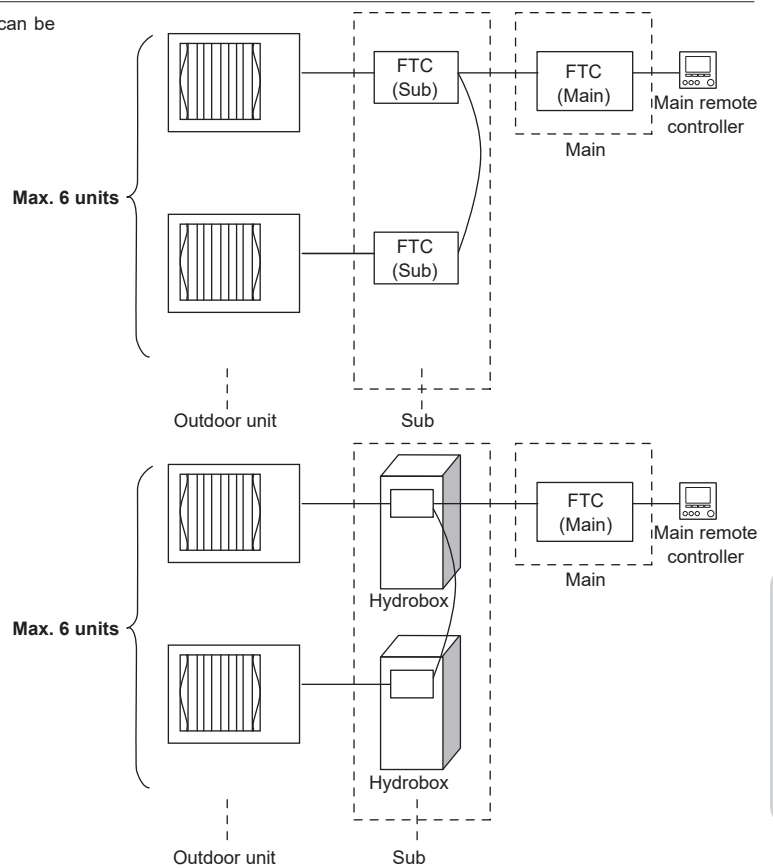
Each sub unit is controlled by the main unit.

- (a) The outdoor units must NOT be connected to the main unit. Make sure that the main unit is powered by independent source.
- (b) Wire the main remote controller to TBI.6 1-2 on the main unit.
- (c) Wire the electric heater to the main unit.

<FTC: Sub unit>

The hydrobox or PAC-SIF051B-E or main unit is used as a sub unit

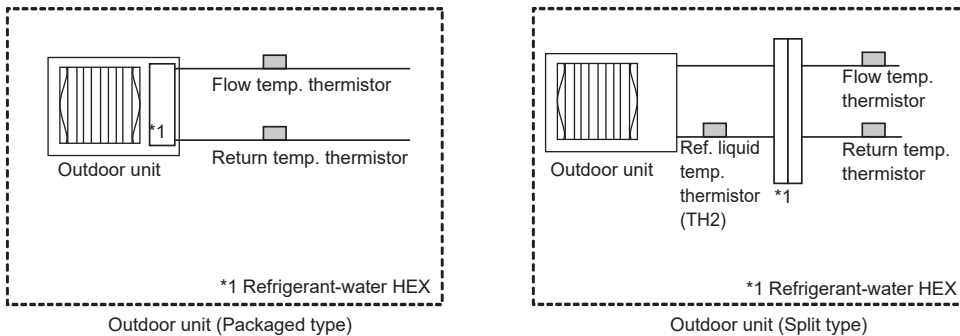
- (a) Connect each outdoor unit to a sub unit.
- (b) The main remote controller must NOT be wired to a sub unit.



9.2 Pipe work

Following is the system example of two outdoor units being connected in one system.

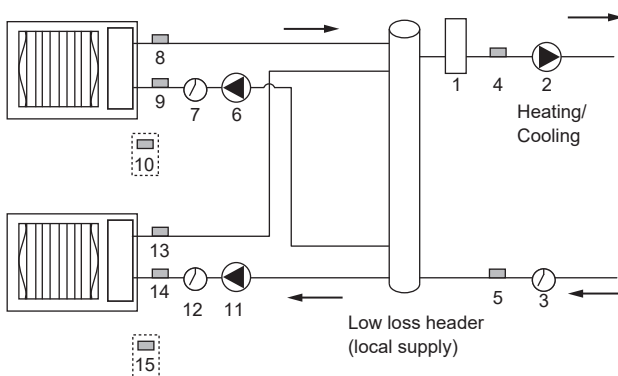
IMPORTANT NOTE
Keep the minimum amount of water required in the space heating circuit according to the number of outdoor units.



<Fig. 9.2.1>

System 1: Heating/Cooling system

- Install a low loss header (local supply).
- Install booster heater toward the local system, relative to the low loss header.



<Fig. 9.2.2>

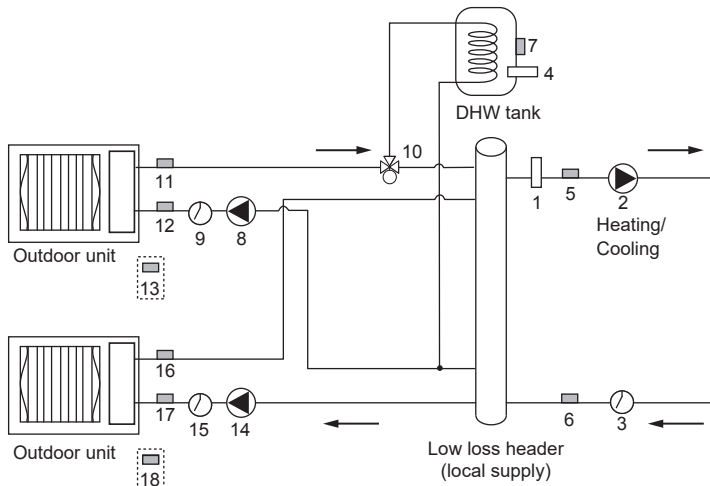
No.	Component	Wiring		
		Main	Sub 1	Sub 2
1	Booster heater (local supply)	✓		
2	Circulation pump1 (local supply)	✓		
3	Flow switch1 (local supply) *2	✓		
4	Flow temp. thermistor (THW1)	✓		
5	Return temp. thermistor (THW2)	✓		
6	Sub1 circulation pump1 (local supply)		✓	
7	Sub1 flow switch (local supply) *2		✓	
8	Sub1 flow temp. thermistor (THW1)		✓	
9	Sub1 return temp. thermistor (THW2)		✓	
10	Sub1 ref. liquid temp. thermistor (TH2) *1		✓	
11	Sub2 circulation pump1 (local supply)			✓
12	Sub2 flow switch (local supply) *2			✓
13	Sub2 flow temp. thermistor (THW1)			✓
14	Sub2 return temp. thermistor (THW2)			✓
15	Sub2 ref. liquid temp. thermistor (TH2) *1			✓

*1 When the outdoor unit is split type, TH2 needs to be installed. <Fig. 9.2.1>

*2 For safety protection, it is recommended to install a flow switch.

System 2: Heating/Cooling & DHW system

- Install DHW tank toward the outdoor unit, relative to the low loss header.
- Wire 3-way valve or 2-way valve 1, 2 to FTC (sub unit).
- LP mode uses assistance of electric heater. Place an immersion heater on the DHW circuit.
- Install a low loss header (local supply).
- Install booster heater toward the local system, relative to the low loss header.



<Fig. 9.2.3>

No.	Component	Wiring		
		Main	Sub 1 *4	Sub 2
1	Booster heater (local supply)	✓		
2	Circulation pump1 (local supply)	✓		
3	Flow switch1 (local supply) *2	✓		
4	Immersion heater (local supply)	✓		
5	Flow temp. thermistor (THW1)	✓		
6	Return temp. thermistor (THW2)	✓		
7	Tank water temp. (THW5B)	✓		
8	Sub1 circulation pump1 (field supply)		✓	
9	Sub1 flow switch (local supply) *2		✓	
10	Sub1 3-way valve (local supply) *3		✓	
11	Sub1 flow temp. thermistor (THW1)		✓	
12	Sub1 return temp. thermistor (THW2)		✓	
13	Sub1 ref. liquid temp. thermistor (TH2) *1		✓	
14	Sub2 circulation pump1 (local supply)			✓
15	Sub2 flow switch (local supply) *2			✓
16	Sub2 flow temp. thermistor (THW1)			✓
17	Sub2 return temp. thermistor (THW2)			✓
18	Sub2 ref. liquid temp. thermistor (TH2) *1			✓

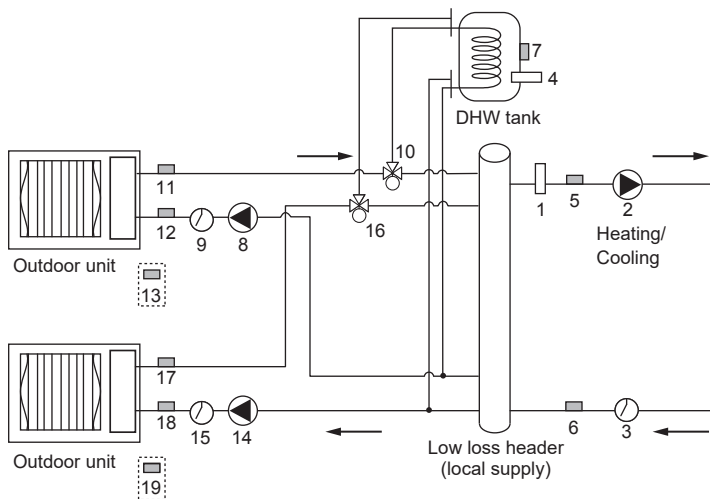
*1 When the outdoor unit is split type, TH2 needs to be installed.

<Fig. 9.2.1>

*2 For safety protection, it is recommended to install a flow switch.

*3 The use of two 2-way valves can perform the same function as a 3-way valve.

*4 DHW operation requires to use the main unit (or hydro box) as the sub controller.



<Fig. 9.2.4>

No.	Component	Wiring		
		Main	Sub 1 *4	Sub 2 *4
1	Booster heater (local supply)	✓		
2	Circulation pump1 (local supply)	✓		
3	Flow switch1 (local supply) *2	✓		
4	Immersion heater (local supply)	✓		
5	Flow temp. thermistor (THW1)	✓		
6	Return temp. thermistor (THW2)	✓		
7	Tank water temp. (THW5B)	✓		
8	Sub1 circulation pump1 (local supply)		✓	
9	Sub1 flow switch (local supply) *2		✓	
10	Sub1 3-way valve (local supply) *3		✓	
11	Sub1 flow temp. thermistor (THW1)		✓	
12	Sub1 return temp. thermistor (THW2)		✓	
13	Sub1 ref. liquid temp. thermistor (TH2) *1		✓	
14	Sub2 circulation pump1 (local supply)			✓
15	Sub2 flow switch (local supply) *2			✓
16	Sub2 3-way valve (local supply) *3			✓
17	Sub2 flow temp. thermistor (THW1)			✓
18	Sub2 return temp. thermistor (THW2)			✓
19	Sub2 ref. liquid temp. thermistor (TH2) *1			✓

*1 When the outdoor unit is split type, TH2 needs to be installed.

<Fig. 9.2.1>

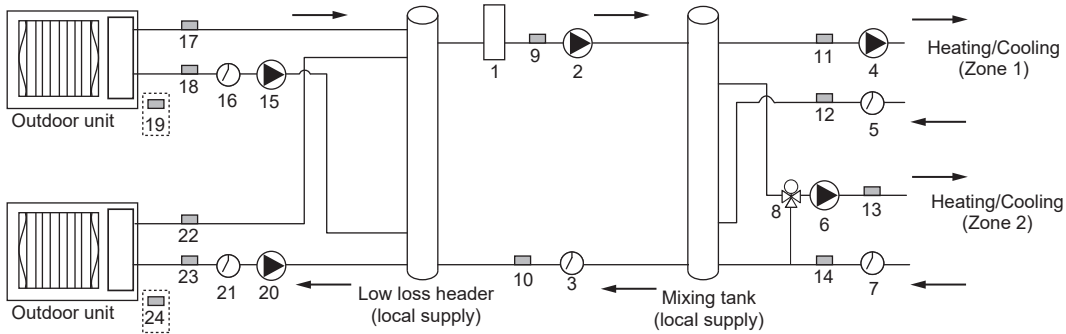
*2 For safety protection, it is recommended to install a flow switch.

*3 The use of two 2-way valves can perform the same function as a 3-way valve.

*4 DHW operation requires to use the main unit (or hydro box) as the sub controller.

System 3: 2-zone temperature control

- Install a mixing tank (local supply) for 2-zone temperature control.
- Install a low loss header (local supply).
- Install booster heater toward the local system, relative to the low loss header.
- For details on 2-zone installation, refer to "2-zone temperature control" in "3.5 Local system".



<Fig. 9.2.5>

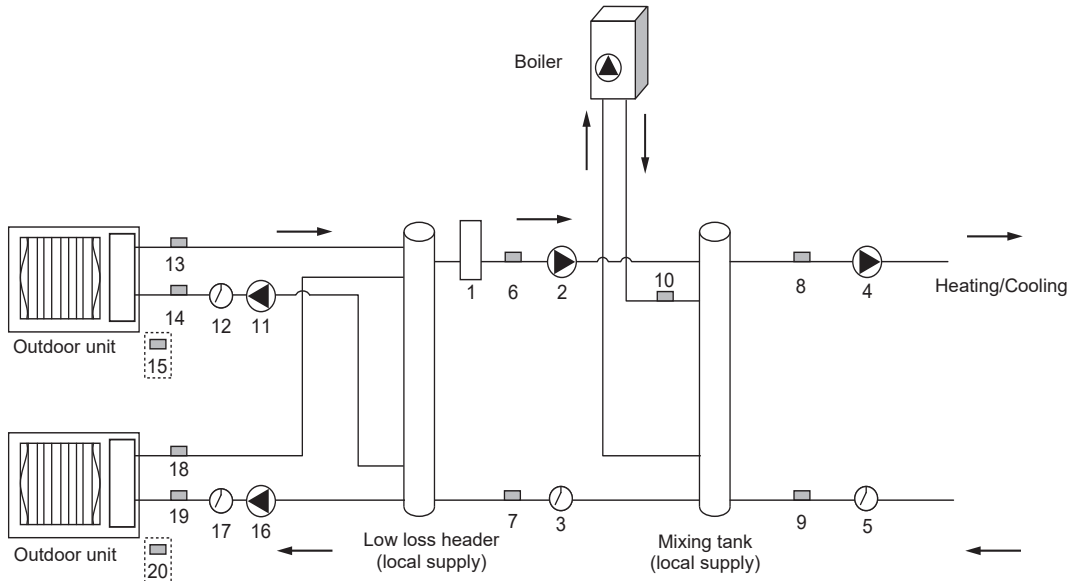
No.	Component	Wiring		
		Main	Sub 1	Sub 2
1	Booster heater (local supply)	✓		
2	Circulation pump1 (local supply)	✓		
3	Flow switch1 (local supply) *2	✓		
4	Circulation pump2 (local supply)	✓		
5	Flow switch2 (local supply) *2	✓		
6	Circulation pump3 (local supply)	✓		
7	Flow switch3 (local supply) *2	✓		
8	Motorized mixing valve (local supply)	✓		
9	Flow temp. thermistor (THW1)	✓		
10	Return temp. thermistor (THW2)	✓		
11	Zone1 flow temp. thermistor (THW6) (option)	✓		
12	Zone1 return temp. thermistor (THW7) (option)	✓		

No.	Component	Wiring		
		Main	Sub 1	Sub 2
13	Zone2 flow temp. thermistor (THW8) (option)	✓		
14	Zone2 return temp. thermistor (THW9) (option)	✓		
15	Sub1 circulation pump1 (local supply)		✓	
16	Sub1 flow switch (local supply) *2		✓	
17	Sub1 flow temp. thermistor (THW1)		✓	
18	Sub1 return temp. thermistor (THW2)		✓	
19	Sub1 ref. liquid temp. thermistor (TH2) *1		✓	
20	Sub2 circulation pump1 (local supply)			✓
21	Sub2 flow switch (local supply) *2			✓
22	Sub2 flow temp. thermistor (THW1)			✓
23	Sub2 return temp. thermistor (THW2)			✓
24	Sub2 ref. liquid temp. thermistor (TH2) *1			✓

*1 When the outdoor unit is split type, TH2 needs to be installed. <Fig. 9.2.1>
 *2 For safety protection, it is recommended to install a flow switch.

System 4: Heating/Cooling system (with Boiler)

- Install a mixing tank (local supply) for connection of the boiler.
- Install a low loss header (local supply).
- Install booster heater between low loss header and mixing tank.
- For more details, refer to the installation manual of PAC-TH012HT-E.



<Fig. 9.2.6>

No.	Component	Wiring		
		Main	Sub 1	Sub 2
1	Booster heater (local supply)	✓		
2	Circulation pump1 (local supply)	✓		
3	Flow switch1 (local supply) *2	✓		
4	Circulation pump2 (local supply)	✓		
5	Flow switch2 (local supply) *2	✓		
6	Flow temp. thermistor (THW1)	✓		
7	Return temp. thermistor (THW2)	✓		
8	Flow temp. thermistor (THW6) (option)	✓		
9	Return temp. thermistor (THW7) (option)	✓		
10	Boiler flow temp. thermistor (THWB1) (option)	✓		

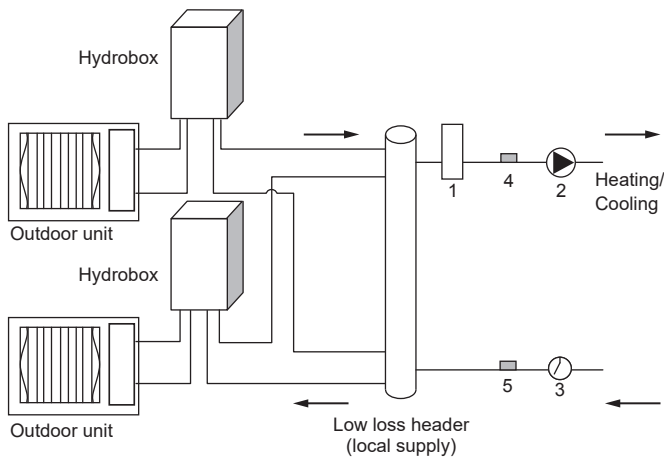
No.	Component	Wiring		
		Main	Sub 1	Sub 2
11	Sub1 circulation pump1 (local supply)		✓	
12	Sub1 flow switch (local supply) *2		✓	
13	Sub1 flow temp. thermistor (THW1)		✓	
14	Sub1 return temp. thermistor (THW2)		✓	
15	Sub1 ref. liquid temp. thermistor (TH2) *1		✓	
16	Sub2 circulation pump1 (local supply)			✓
17	Sub2 flow switch (local supply) *2			✓
18	Sub2 flow temp. thermistor (THW1)			✓
19	Sub2 return temp. thermistor (THW2)			✓
20	Sub2 ref. liquid temp. thermistor (TH2) *1			✓

*1 When the outdoor unit is split type, TH2 needs to be installed. <Fig. 9.2.1>

*2 For safety protection, it is recommended to install a flow switch.

System 5: Heating/Cooling system (with Hydrobox)*1

- Install a low loss header (local supply).
- Install booster heater toward the local system, relative to the low loss header.



<Fig. 9.2.7>

No.	Component	Wiring		
		Main	Sub 1 (Hydrobox)	Sub 2 (Hydrobox)
1	Booster heater(local supply)	✓		
2	Circulation pump1 (local supply)	✓		
3	Flow switch1 (local supply) *2	✓		
4	Flow temp. thermistor (THW1)	✓		
5	Return temp. thermistor (THW2)	✓		

*1 Cooling system is available only with ERS models.

*2 For safety protection, it is recommended to install a flow switch.

9.3 Electrical connection

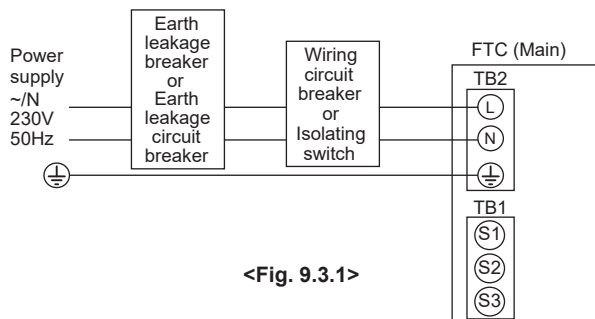
All electrical work should be carried out by a suitably qualified technician. Failure to comply with this could lead to electrocution, fire, and death. It will also invalidate product warranty. All wiring should be according to national wiring regulations.

9.3.1 Main unit

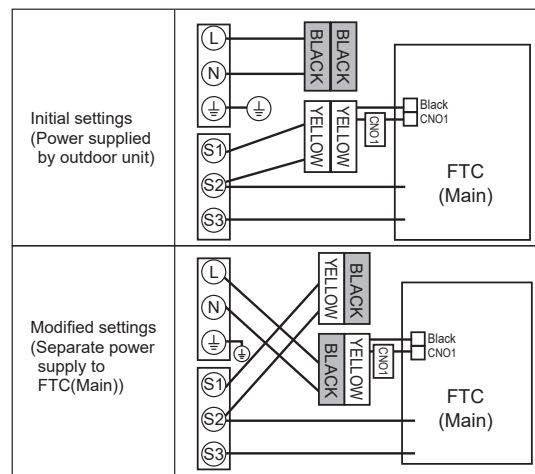
■ FTC (Main)

Outdoor unit must NOT be connected to FTC (Main) unit.

FTC (Main) unit electrical box connector connections changed. (see Fig. 9.3.2.)



<Fig. 9.3.1>



<Fig. 9.3.2>

9.3.2 Sub unit

Connect each outdoor unit to a sub unit.

FTC (Sub) can be powered in two ways.

1. Power cable is run from the outdoor unit to a sub unit.
2. FTC (Sub) has independent power source.

■ FTC (Main) (PAC-IF07*B-E) used as sub

• For wiring as a sub controller, refer to "4.1 Electrical connection". *1

*1 Do not connect the power cable to the booster heater because it does not work in sub controller setting.

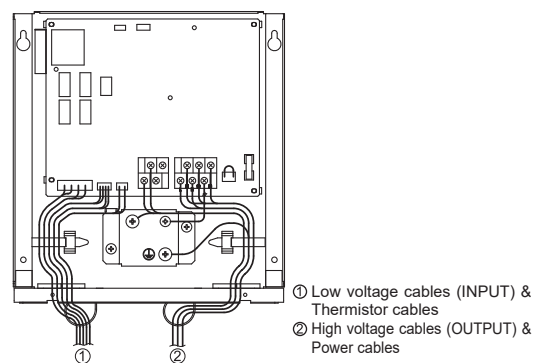
■ FTC (Sub) (PAC-SIF051B-E) <Fig. 9.3.3>

FTC (Sub) can be powered in two ways.

1. Power cable is run from the outdoor unit to FTC (sub).
2. FTC (Sub) has independent power source.

Note:

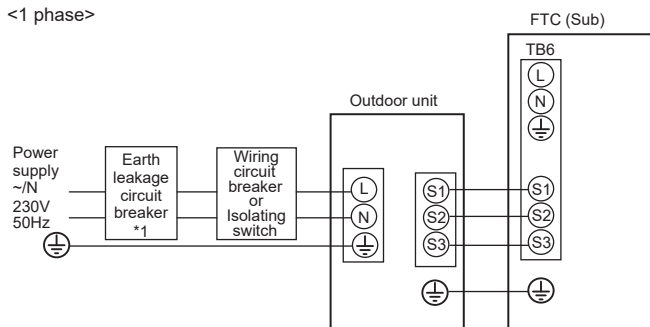
- Do not run the low voltage cables through a slot that the high voltage cables go through.
- Bundle cables by using clamps as shown in the figure to the right.



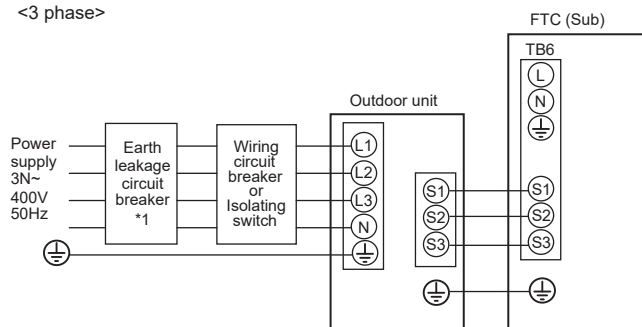
<Fig. 9.3.3>

Option 1: FTC (Sub) powered via outdoor unit

<1 phase>



<3 phase>



<Fig. 9.3.4>

*1. If the installed earth leakage circuit breaker does not have an over-current protection function, install a breaker with that function along the same power line.

A breaker with at least 3.0 mm contact separation in each pole shall be provided. Use earth leakage breaker (NV).

The breaker shall be provided to ensure disconnection of all active phase conductors of the supply.

Note: In accordance with IEE regulations the circuit breaker/isolating switch located on the outdoor unit should be installed with lockable devices (health and safety).

Wiring No. Wiring size (mm ²)	FTC (Sub) - Outdoor unit	*2	3 × 1.5 (polar)
	FTC (Sub) - Outdoor unit earth	*2	1 × Min. 1.5
Circuit rating	FTC (Sub) - Outdoor unit S1 - S2	*3	230 V AC
	FTC (Sub) - Outdoor unit S2 - S3	*3	24 V DC

*2. Max. 45 m

If 2.5 mm² used, Max. 50 m

If 2.5 mm² used and S3 separated, Max. 80 m

*3. The values given in the table above are not always measured against the ground value.

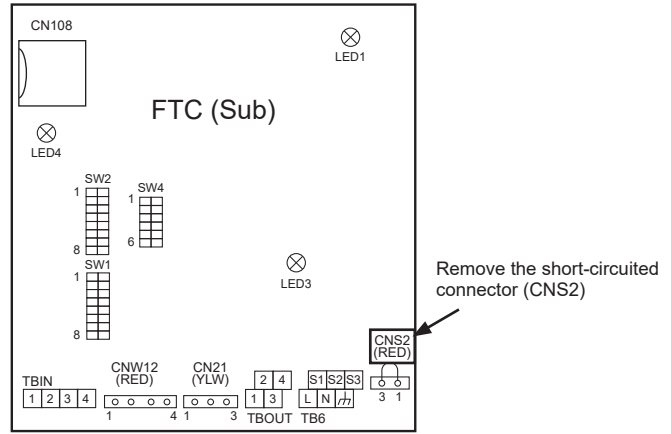
Notes:

1. Wiring size must comply with the applicable local and national codes.
2. FTC (Sub)/outdoor unit connecting cords shall not be lighter than polychloroprene sheathed flexible cord. (Design 60245 IEC 57)
FTC (Sub) power supply cords shall not be lighter than polychloroprene sheathed flexible cord. (Design 60227 IEC 53)
3. Install an earth longer than other cables.

Option 2: FTC (Sub) powered by independent source

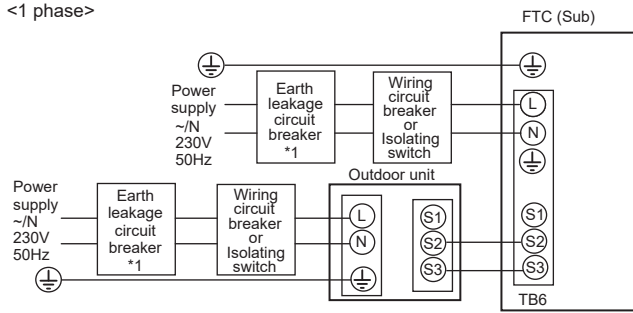
If FTC (Sub) and outdoor units have separate power supplies, the following requirements MUST be carried out:

- Remove the short-circuited connector (CNS2) on FTC (Sub). (see <Fig. 9.3.5>)
- Turn the outdoor unit DIP switch SW8-3 to ON.
- Turn on the outdoor unit BEFORE the FTC (Sub).

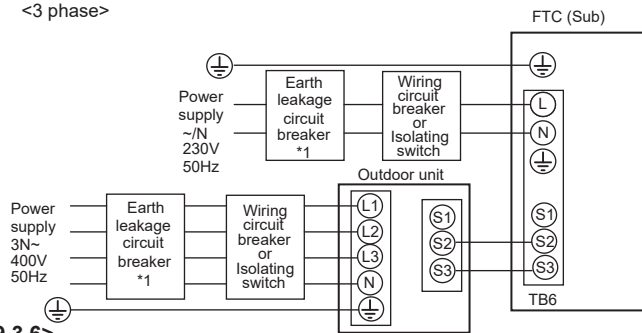


<Fig. 9.3.5>

<1 phase>



<3 phase>



<Fig. 9.3.6>

*1 If the installed earth leakage circuit breaker does not have an over-current protection function, install a breaker with that function along the same power line.

FTC (Sub) power supply		~N 230 V 50 Hz
FTC (Sub) input capacity		*1 16 A
Main switch (Breaker)		
Wiring No. x size (mm ²)	FTC (Sub) power supply	2 x Min. 1.5
	FTC (Sub) power supply earth	1 x Min. 1.5
	FTC (Sub) - Outdoor unit	*2 2 x Min. 0.3
	FTC (Sub) - Outdoor unit earth	—
Circuit rating	FTC (Sub) L - N	*3 230 V AC
	FTC (Sub) - Outdoor unit S1 - S2	*3 —
	FTC (Sub) - Outdoor unit S2 - S3	*3 24 V DC

*1. A breaker with at least 3.0 mm contact separation in each pole shall be provided. Use earth leakage breaker (NV). The breaker shall be provided to ensure disconnection of all active phase conductors of the supply.

*2. Max. 45 m

If 2.5 mm² used, Max. 50 m

If 2.5 mm² used and S3 separated, Max. 80 m

*3. The values given in the table above are not always measured against the ground value.

- Notes:**
1. Wiring size must comply with the applicable local and national codes.
 2. FTC (Sub)/outdoor unit connecting cords shall not be lighter than polychloroprene sheathed flexible cord. (Design 60245 IEC 57)
FTC (Sub) power supply cords shall not be lighter than polychloroprene sheathed flexible cord. (Design 60227 IEC 53)
 3. Install an earth longer than other cables.

Hydrobox

• For wiring as a sub controller (hydrobox), refer to "4.4 Electrical Connection" in Hydrobox installation manual.

- Notes:**
1. Do not connect the power cable to the booster heater because it doesn't work in sub controller setting.
 2. Do not connect the main remote controller cable.

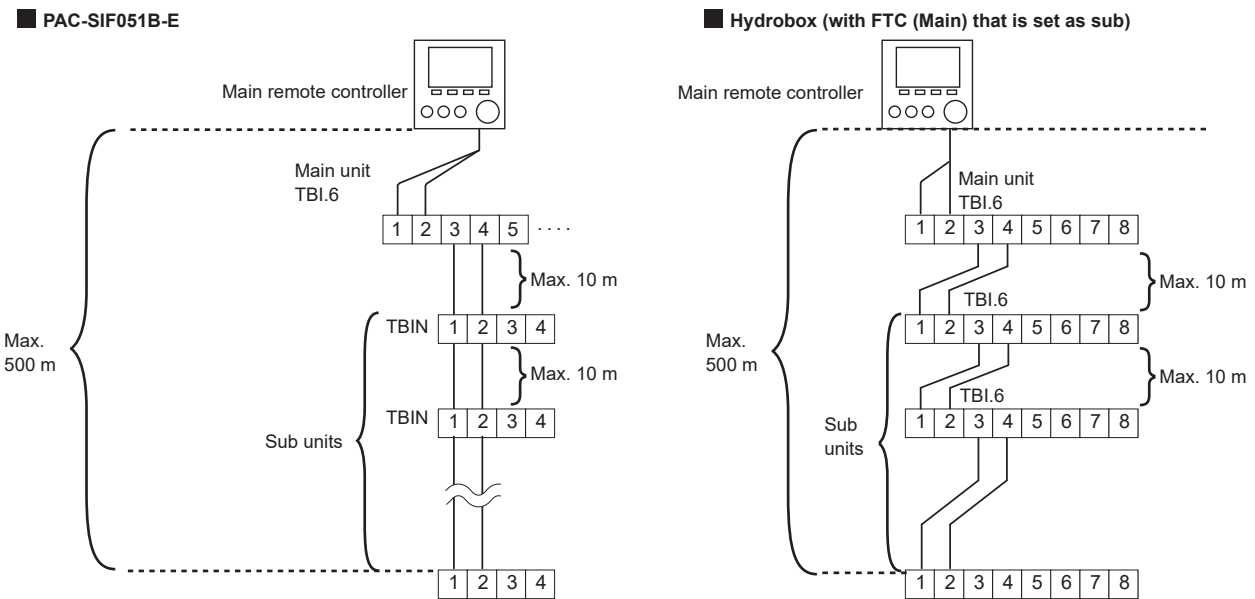
<Before system set up>

Insert the included SD memory card into the FTC control board. (Refer to section 4.11.)

9.4 Main remote controller wiring

- (a) Wire the main remote controller to TBI.6 RC terminals on the main unit. The main remote controller must NOT be connected to a sub unit.
- (b) Use the daisy chain wiring method to wire the main unit and sub units by connecting TBI.6 RC terminals.

*1 The maximum length between each units wiring is 10 m. The maximum length of total daisy-chain wiring is 500 m.



<Fig. 9.4.1>

Note: Wiring for main remote controller cable and daisy chain cable shall be (5 cm or more) apart from power source wiring so that it is not influenced by electrical noise from power source wiring. (Do NOT insert main remote controller cable and power source wiring in the same conduit.)

9.5. Connecting the thermistor cables

Connect the thermistor for the FTC (Sub) controller.

9.5.1. Connecting the refrigerant pipe temp. thermistor (TH2) cable

Connect the TH2 cable to the CN21 connector on FTC (Sub).

For split Outdoor unit : Connect TH2.

For packaged Outdoor unit : It is NOT necessary to connect TH2.

When the TH2 cable is too long, bundle the excess cable outside the FTC (Sub) unit.

Do not bind the wires in the FTC (Sub) unit.

<Thermistor position>

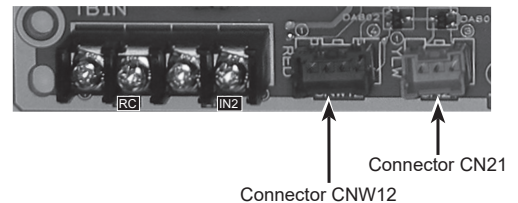
Place TH2 on **refrigerant** piping (**liquid** side).

It is recommended to protect the thermistor with heat insulating materials so as not to be affected by ambient temperature.

Note: Be sure to place TH2 where it correctly detects refrigerant piping temp. (liquid side).

Because;

- (1) TH2 is required to detect heating subcool correctly.
- (2) Refrigerant temperature of water-to-refrigerant heat exchanger also needs to be detected for protection purpose.



<Fig. 9.5.1>

9.5.2. Connecting the flow water temp. thermistor (THW1) cable and the return water temp. thermistor (THW2) cable

The THW1 and the THW2 cables share a connector, and the connector connects to CNW12 connector on FTC (Sub).

When the THW1 and THW2 cables are too long, bundle the excess cables outside the FTC (Sub) unit. Do not bind the wires in the FTC (Sub) unit.

<Thermistor position>

Place THW1 on **water** piping (water **outlet** side) after booster heater, and THW2 on the water inlet side.

It is recommended to protect the thermistor with heat insulating materials so as not to be affected by ambient temperature.

Note: Be sure to attach THW1 where it correctly detects Flow temp. (water outlet side). For more details, see Page C-6.

⚠ Caution:

- Do not route the thermistor cables together with power cables.
- The sensor part of the thermistor should be installed where user can not access.

9.6 Dip switch functions

<Outdoor unit>

- Set refrigerant address on each outdoor unit from 1 to 6.

Note: Do NOT use refrigerant address 0 as 0 is used for FTC (Main). The address range is from 1 to 6.

Split model (SW1-3 to SW1-6)

Dip switch	Refrigerant address number					
	Add. 1	Add. 2	Add. 3	Add. 4	Add. 5	Add. 6
SW1-1	—	—	—	—	—	—
SW1-2	—	—	—	—	—	—
SW1-3	ON	OFF	ON	OFF	ON	OFF
SW1-4	OFF	ON	ON	OFF	OFF	ON
SW1-5	OFF	OFF	OFF	ON	ON	ON
SW1-6	OFF	OFF	OFF	OFF	OFF	OFF

<FTC: Main>

- Set Dip SW4-1 and SW4-2 to ON.
- For more details refer to "5. Dip Switch setting."

<FTC: Sub>

- Set Dip SW4-1 to ON "Active :multiple outdoor unit control".
- Set Dip SW1-7 (Outdoor unit type) on each sub unit according to each connected outdoor unit type.
- Set only Dip-SW1-3 to ON on the sub unit that runs DHW operation.

Packaged model

Refer to outdoor unit installation manual.

Dip switch	Function	OFF	ON	Main	Sub (PAC-SIF051B-E)	Sub *1 (Hydrobox)
SW1	SW1-1	Bolier	WITHOUT Bolier	WITH Bolier	✓	—
	SW1-2	Heat pump maximum outlet water temperature	55°C	60°C	✓	✓
	SW1-3	DHW tank	WITHOUT DHW tank	WITH DHW tank	✓	✓
	SW1-4	Immersion heater	WITHOUT Immersion heater	WITH Immersion heater	✓	—
	SW1-5	Booster heater	WITHOUT Booster heater	WITH Booster heater	✓	—
	SW1-6	Booster heater function	For heating only	For heating and DHW	—	—
	SW1-7	Outdoor unit type	Split type	Packaged type	—	✓
	SW1-8	Wireless remote controller	WITHOUT Wireless remote controller	WITH Wireless remote controller	✓	—
SW2	SW2-1	Room thermostat 1 input (IN1) logic change	Zone1 operation stop at short	Zone1 operation stop at open	✓	—
	SW2-2	Flow switch 1 input (IN2) logic change	Failure detection at short	Failure detection at open	✓	✓
	SW2-3	Booster heater capacity restriction	Inactive	Active	✓	—
	SW2-4	Cooling mode function	Inactive	Active	✓	—
	SW2-5	"Automatic switch to backup heater only operation (When outdoor unit stops by error)"	Inactive	Active	✓	—
	SW2-6	Mixing tank	WITHOUT Mixing tank	WITH Mixing tank	✓ ²	—
	SW2-7	2-zone temperature control	Inactive	Active	✓	—
	SW2-8	Flow sensor	WITHOUT Flow sensor	WITH Flow sensor	✓	—
SW3	SW3-1	Room thermostat 2 input (IN6) logic change	Zone2 operation stop at short	Zone2 operation stop at open	✓	—
	SW3-2	Flow switch 2 and 3 input logic change	Failure detection at short	Abnormality detection at open	✓	—
	SW3-3	—	—	—	—	—
	SW3-4	—	—	—	—	—
	SW3-5	Heating mode function	Inactive	Active	✓	—
	SW3-6	2-zone valve ON/OFF control	Inactive	Active	✓	—
	SW3-7	—	—	—	—	—
	SW3-8	—	—	—	—	—
SW4	SW4-1	Multiple unit control	Inactive	Active	ON	ON
	SW4-2	Position of multiple outdoor units control	Sub	Main	ON	OFF
	SW4-3	—	—	—	—	—
	SW4-4	—	—	—	—	—
	SW4-5	Emergency mode (Heater only operation)	Normal	"Emergency mode (Heater only operation) (To be activated only when powered ON)"	✓	—
	SW4-6	Emergency mode (Bolier operation)	Normal	"Emergency mode (Bolier operation) (To be activated only when powered ON)"	✓	—
SW5	SW5-1	—	—	—	—	—
	SW5-2	Advanced auto adaptation	Inactive	Active	✓	—
	SW5-3	—	—	—	—	—
	SW5-4	—	—	—	—	—
	SW5-5	—	—	—	—	—
	SW5-6	—	—	—	—	—
	SW5-7	—	—	—	—	—
	SW5-8	—	—	—	—	—
SW6	SW6-1	—	—	—	—	—
	SW6-2	—	—	—	—	—
	SW6-3	Pressure sensor	Inactive	Active	—	✓
	SW6-4	Analog output signal (0-10 V)	Inactive	Active	✓	—
	SW6-5	—	—	—	—	—

*1 When FTC (Main) in Hydrobox is set as Sub.

*2 Set Dip SW2-6 to ON in "System 3 (2 zone)" and in "System 4 (with Boiler)" mentioned in "9.2 Pipe work."

✓ : Setting is required

— : NO setting (function is not available)

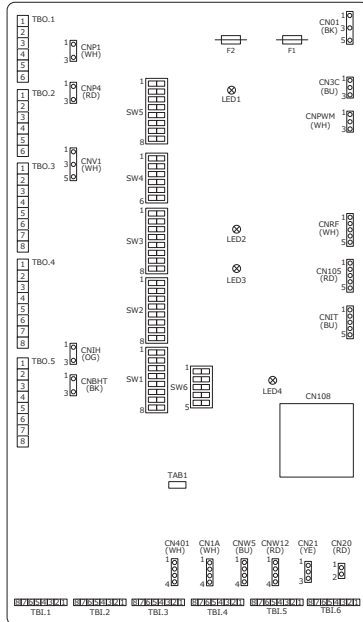
9.7 Connecting inputs/outputs

<Electrical connection for main controller>

- Refer to "4.5 Connecting inputs/outputs"

<Electrical connection for sub controller>

■ PAC-IF07*B-E



<Fig. 9.7.1>

Signal inputs

Name	Terminal block	Connector	Item	OFF (Open)	OFF (Short)
RC	TBI.6 1-4	—	Communication cable between indoor units	—	—
IN2	TBI.1 5-6	—	Flow switch 1 input	Refer to SW2-2 in <9.6 Dip Switch Functions>.	

Wiring specification and local supply parts

Item	Name	Model and specifications
Signal input function	Signal input wire	Use sheathed vinyl coated cord or cable. Max. 10 m Wire type: CV, CVS or equivalent Wire size: Stranded wire 0.13 mm ² to 1.25 mm ² Solid wire: ø0.4 mm to ø1.2 mm
	Switch	Non-voltage "a" contact signals Remote switch: minimum applicable load 12V DC, 1mA

Thermistor inputs

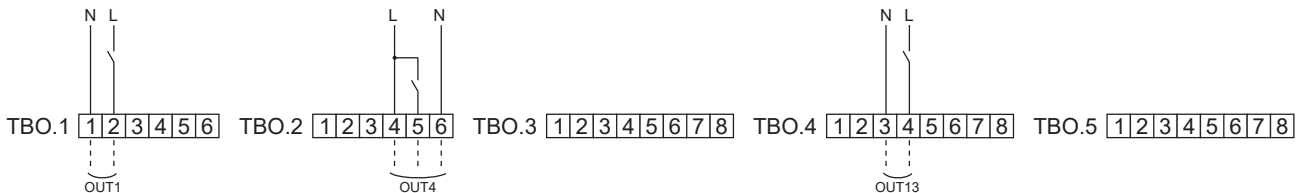
Name	Terminal block	Connector	Item	Optional part model
TH2	—	CN21	Thermistor (Ref. liquid temp.)	—
THW1	—	CNW12 1-2	Thermistor (Flow water temp.)	—
THW2	—	CNW12 3-4	Thermistor (Return water temp.)	—

Note:

Do not splice the wiring to extend or shorten it, or this could affect correct monitoring of each temperature.
If the wiring is too long, bundle it with a strap to adjust the length.

Outputs

Name	Terminal block	Connector	Item	OFF	ON	Signal/Max. current
OUT1	TBO.1 1-2	CNP1	Water circulation pump 1 output	OFF	ON	230V AC 1.0 A Max.
OUT4	TBO.2 4-6	CNV1	3-way valve (2-way valve 1) output	Heating	DHW	230V AC 0.1 A Max.
OUT13	TBO.4 3-4	—	2-way valve 2 output	DHW	Heating	230V AC 0.1 A Max.

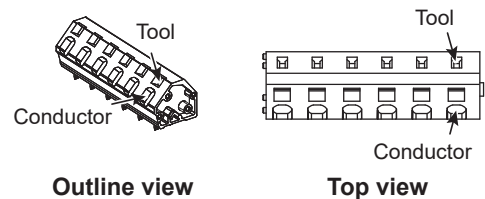


<Fig. 9.7.2>

Wiring specification and local supply parts

Item	Name	Model and specifications
External output function	Outputs wire	Use sheathed vinyl coated cord or cable. Max. 30 m Wire type: CV, CVS or equivalent Wire size: Stranded wire 0.25 mm ² to 1.5 mm ² Solid wire: 0.25 mm ² to 1.5 mm ²

How to use TBO.1 to 5



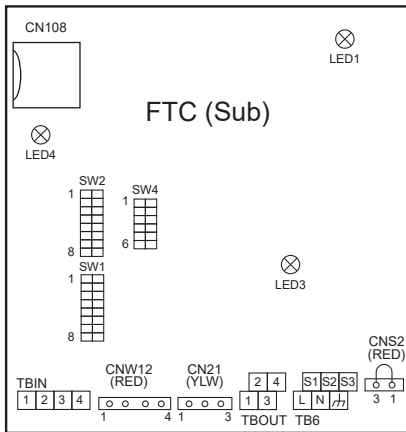
Connect them using either way as shown above.

<Fig. 9.7.3>

Note:

1. Do not connect multiple water circulation pumps directly to each output (OUT1). In such a case, connect them via (a) relay(s).
2. Stranded wire should be processed with insulation-covered bar terminal (DIN46228-4 standard compatible type).

■ PAC-SIF051B-E



<Fig. 9.7.4>

Signal inputs

Name	Terminal block	Connector	Item	OFF (Open)	OFF (Short)
RC	TBIN 1-2	—	Communication cable between indoor units	—	—
IN2	TBIN 3-4	—	Flow switch input	Refer to SW2-2 in <9.6 Dip Switch Functions>.	

Wiring specification and local supply parts

Item	Name	Model and specifications
Signal input function	Signal input wire	Use sheathed vinyl coated cord or cable. Max. 10 m Wire type: CV, CVS or equivalent Wire size: Stranded wire 0.5 mm ² to 1.25 mm ² Solid wire: ø0.65 mm to ø1.2 mm
	Switch	Non-voltage "a" contact signals Remote switch: minimum applicable load 12 V DC, 1 mA

Thermistor inputs

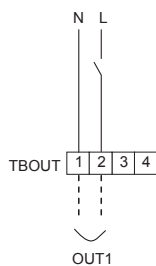
Name	Terminal block	Connector	Item	Optional part model
TH2	—	CN21	Thermistor (Ref. liquid temp.)	—
THW1	—	CNW12 1-2	Thermistor (Flow water temp.)	—
THW2	—	CNW12 3-4	Thermistor (Return water temp.)	—

Note:

Do not splice the wiring to extend or shorten it, or this could affect correct monitoring of each temperature.
If the wiring is too long, bundle it with a strap to adjust the length.

Output

Name	Terminal block	Connector	Item	OFF	ON	Signal/Max. current
OUT1	TBOUT 1-2	—	Water circulation pump 1 output	OFF	ON	230 V AC 1.0 A Max.



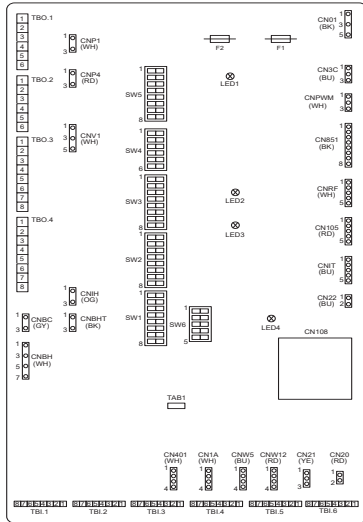
<Fig. 9.7.5>

Wiring specification and local supply parts

Item	Name	Model and specifications
External output function	Outputs wire	Use sheathed vinyl coated cord or cable. Max. 30 m Wire type: CV, CVS or equivalent Wire size: Stranded wire 0.5 mm ² to 1.25 mm ² Solid wire: ø0.65 mm to ø1.2 mm

Note: Do not connect multiple water circulation pumps directly to each output (OUT1). In such a case, connect them via (a) relay(s).

Hydrobox



<Fig. 9.7.6>

Signal inputs

Name	Terminal block	Connector	Item	OFF (Open)	OFF (Short)
RC	TBI.6 1-2	CN22	Communication cable between indoor units	—	—
IN2	TBI.1 5-6	—	Flow switch input	Refer to SW2-2 in <9.6 Dip Switch Functions>.	

Wiring specification and local supply parts

Item	Name	Model and specifications
Signal input function	Signal input wire	Use sheathed vinyl coated cord or cable. Max. 10 m Wire type: CV, CVS or equivalent Wire size: Stranded wire 0.5 mm ² to 1.25 mm ² Solid wire: ø0.65 mm to ø1.2 mm
	Switch	Non-voltage "a" contact signals Remote switch: minimum applicable load 12 V DC, 1 mA

Thermistor inputs

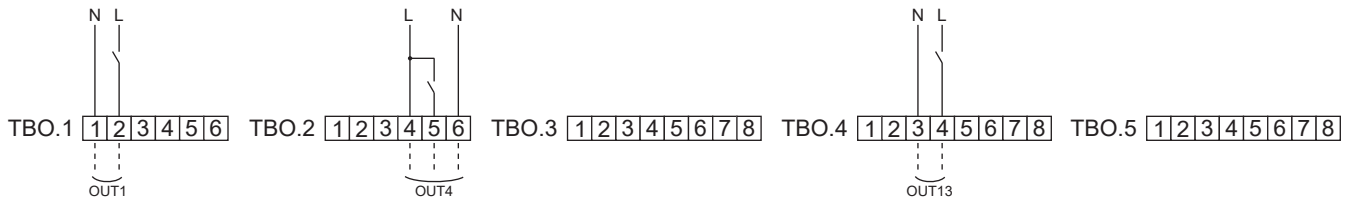
Name	Terminal block	Connector	Item	Optional part model
TH2	—	CN21	Thermistor (Ref. liquid temp.)	—
THW1	—	CNW12 1-2	Thermistor (Flow water temp.)	—
THW2	—	CNW12 3-4	Thermistor (Return water temp.)	—

Note:

Do not splice the wiring to extend or shorten it, or this could affect correct monitoring of each temperature.
If the wiring is too long, bundle it with a strap to adjust the length.

Outputs

Name	Terminal block	Connector	Item	OFF	ON	Signal/Max. current
OUT1	TBO.1 1-2	CNP1	Water circulation pump 1 output	OFF	ON	230 V AC 1.0 A Max.
OUT4	TBO.2 4-6	CNV1	3-way valve (2-way valve 1) output	Heating	DHW	230 V AC 0.1 A Max.
OUT13	TBO.4 3-4	—	2-way valve 2 output	DHW	Heating	230 V AC 0.1 A Max.



<Fig. 9.7.7>

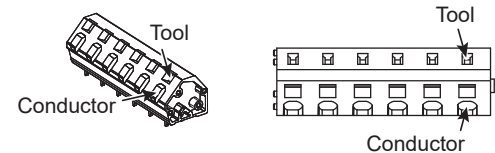
Wiring specification and local supply parts

Item	Name	Model and specifications
External output function	Outputs wire	Use sheathed vinyl coated cord or cable. Max. 30 m Wire type: CV, CVS or equivalent Wire size: Stranded wire 0.25 mm ² to 1.5 mm ² Solid wire: 0.25 mm ² to 1.5 mm ²

Note:

- Do not connect multiple water circulation pumps directly to each output (OUT1). In such a case, connect them via (a) relay(s).
- Do not connect water circulation pumps to both TBO.1 1-2 and CNP1 at the same time.
- Stranded wire should be processed with insulation-covered bar terminal (DIN46228-4 standard compatible type).

How to use TBO.1 to 5



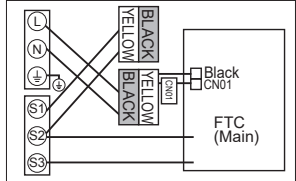
Outline view

Top view

Connect them using either way as shown above.

<Fig. 9.7.8>

Basic Troubleshooting for multiple outdoor units control

No.	Fault symptom	Possible cause	Explanation - Solution
1	Main remote controller display is blank.	<ol style="list-style-type: none"> There is no power supply to main remote controller. Power is supplied to the main remote controller, however, the display on the main remote controller does not appear. 	<ol style="list-style-type: none"> Check LED2 on the FTC main controller. (See <Figure 4.5.1>.) <ol style="list-style-type: none"> When LED2 is lit. Check for damage or contact failure of the main remote controller wiring. When LED2 is blinking. Refer to No. 4 below. When LED2 is not lit. Refer to No. 3 below. Check the following: <ul style="list-style-type: none"> Disconnection between the main remote controller cable and the FTC main controller. Failure of the main remote controller if "Please Wait" is not displayed. Refer to No. 2 below if "Please Wait" is displayed.
2	"Please Wait" remains displayed on the main remote controller.	<ol style="list-style-type: none"> "Please Wait" is displayed for up to 6 minutes. Communication failure between the main remote controller and FTC main/sub controller. Communication failure between FTC sub controller and outdoor unit. 	<ol style="list-style-type: none"> Normal operation. 3. Main remote controller start up checks/procedure. <ol style="list-style-type: none"> If "0%" or "50-99%" is displayed below "Please Wait" there is a communication error between the main remote controller and the FTC main/sub controller. <ul style="list-style-type: none"> Check wiring connections on the main remote controller. Replace the main remote controller or FTC main/sub controller. If "1-49%" is displayed there is a communication error between the outdoor unit's control board and FTC sub controller. <ul style="list-style-type: none"> Check the wiring connections on the outdoor unit control board and the FTC sub controller. (Ensure S1 and S2 are not cross-wired and S3 is securely wired with no damage. (See section 4.5.) Replace the outdoor unit's control board and/or the sub controller.
3	Warning symbol is displayed on the main remote controller.	Sub unit failure	<ol style="list-style-type: none"> Press CONFIRM button on the main remote controller while the warning symbol is displayed. Check the error details.
4	LED2 on FTC main controller is off. (See <Figure 4.5.1>.)	<p>When LED1 on FTC main controller is also off. (See <Figure 4.5.1>.)</p> <ol style="list-style-type: none"> FTC main controller is not supplied with 220 to 240V AC. There are problems in the method of connecting the connectors. FTC Main controller failure 	<ol style="list-style-type: none"> Check the voltage across the L and N terminals on the indoor power supply terminal block. (See section 4.5.) <ul style="list-style-type: none"> When the voltage is not 220 to 240V AC, check for faulty wiring to power supply. When the voltage is 220 to 240V AC, go to 2. below. Check for faulty wiring between the connectors. <ul style="list-style-type: none"> When the connectors are wired incorrectly re-wire them correctly referring to below. (See section 4.5 and a wiring diagram on the control and electrical box cover.)  <ol style="list-style-type: none"> If no problem found with the wiring, go to 3. below. 3. Check the FTC main controller. <ul style="list-style-type: none"> Check the fuse on the FTC main controller. Check for faulty wiring. Check Dip SW4-2 is ON. If no problem found with the wiring, the FTC main controller is faulty.
5	LED2 on FTC is blinking. (See Figure <4.5.1>.)	<p>When LED1 is also blinking on FTC main controller.</p> <p>When LED1 on FTC main controller is lit.</p> <ol style="list-style-type: none"> Faulty wiring in main remote controller Multiple indoor units have been wired to a single outdoor unit. Short-circuited wiring in main remote controller Main remote controller failure Dip SW setting failure 	<p>Check for faulty wiring in FTC main controller.</p> <ol style="list-style-type: none"> Check for faulty wiring in main remote controller. The number of indoor units that can be wired to a single outdoor unit is one. Additional indoor units must be wired individually to a single outdoor unit. 3. Remove main remote controller wires and check LED2 on FTC main controller. (See Figure 4.5.1.) <ul style="list-style-type: none"> If LED2 is blinking check for short circuits in the main remote controller wiring If LED2 is lit, wire the main remote controller again and: <ul style="list-style-type: none"> if LED2 is blinking, the main remote controller is faulty; if LED2 is lit, faulty wiring of the main remote controller has been corrected. 4. Check Dip SW 4-2 on the FTC sub controller is OFF.
6	Main remote controller communication failure E0/E4 E3/E5	<ol style="list-style-type: none"> Connection failure of the earth cable Incorrect wiring of main remote controller. 	<ol style="list-style-type: none"> Electrical connection (FTC powered via outdoor unit) <ul style="list-style-type: none"> Check for looseness or breakage of the earth cables of outdoor units. Daisy-chain the outdoor units with earth cables and earth them with one of the cables. Electrical connection (FTC powered via independent source) <ul style="list-style-type: none"> Check for looseness or breakage of the earth cables of FTC units. Daisy-chain the FTC units with earth cables and earth them with one of the cables. 2. The main remote controller must NOT be wired to FTC sub controller.

For other details, refer to "8. Troubleshooting".

10.1 Refrigerant collecting (pumpdown) for split model systems only

Refer to "Refrigerant collection" in the outdoor unit installation manual or service manual.

10.2 Back-up operation of boiler

Heating operation is backed up by boiler.

For more details, refer to the installation manual of PAC-TH012HT-E.

<Installation & System set up>

1. Set Dip-SW 1-1 to ON "With boiler" and SW2-6 to ON "With Mixing tank".
2. Install the thermistors THWB1 (Flow temp.) *1 on the boiler circuit.
3. Connect the output wire (OUT10: Boiler operation) to the signal input (room thermostat input) on the boiler. *2
4. Install one of the following room temp. thermostats. *3

- Wireless remote controller (option)
- Room temp. thermostat (local supply)
- Main remote controller (remote position)

*1 The boiler temp. thermistor is an optional part.

*2 OUT10 has no voltage across it.

*3 Boiler heating is controlled on/off by the room temp. thermostat.

<Remote controller settings>

1. Go to Service menu > Heat source setting and choose "Boiler" or "Hybrid". *4
2. Go to Service menu > Operation settings > Boiler settings to make detailed settings for "Hybrid" above .

*4 The "Hybrid" automatically switches heat sources between Heat pump (and Electric heater) and boiler.

■ Product fiche of temperature control

- (a) Supplier's name: MITSUBISHI ELECTRIC CORPORATION
- (b) Supplier's model identifier: PAR-WT50R-E and PAR-WR51R-E
- (c) The class of the temperature control: VI
- (d) The contribution of the temperature control to seasonal space heating energy efficiency: 4%

Local application factors

- * This FTC is designed to connect Mr.Slim/ Ecodan inverter outdoor unit of MITSUBISHI ELECTRIC to local systems. Please check the following when designing the local system.
- * MITSUBISHI ELECTRIC does not take any responsibility for the local system design.

Heat exchanger

(1) Withstanding pressure

Designed pressure of outdoor unit is 4.15 MPa. Following must be satisfied for burst pressure of connecting application.
Burst pressure: More than 12.45 MPa (3 times more than designed pressure)

(2) Performance

Secure the heat exchanger capacity which meets the following conditions. If the conditions are not met, it may result in malfunction caused by the protection operation or the outdoor unit may be turned off due to the operation of protection system.

- In case of hot water supply, condense temperature is less than 58°C in max. frequency operation with the outside temperature 7°C D.B./6°C W.B.

(3) Contamination maintenance

1. Wash the inside of heat exchanger to keep it clean. Be sure to RINSE not to leave flux. Do not use chlorine detergent when washing.
2. Be sure that the amount of contamination per unit cubic content of heat transfer pipe is less than the following amount.

Example) In case of $\phi 9.52$ mm

Residual water: 0.6 mg/m, Residual oil: 0.5 mg/m, Solid foreign object: 1.8 mg/m

Thermistor position

Refer to 4.4.

Notes

- Install the hydraulic filter at the water inlet pipework.
- Inlet water temperature of heat exchanger should be within the range 5°C - 55°C.
- The water in both primary and sanitary circuit should be clean and with pH value of 6.5-8.0
- The followings are the maximum values;
 - Calcium: 100 mg/L, Ca hardness: 250 mg/L
 - Chloride: 100 mg/L, Copper: 0.3 mg/L
- Other constituents should be to European Directive 98/83 EC standards.
- Refrigerant pipe diameter from outdoor unit to refrigerant-water HEX (Only for SPLIT type)
Use the pipe with same diameter size as the refrigerant pipe connection diameter of outdoor unit. (Refer to outdoor unit installation manual.)
- Ensure that there is sufficient anti-freeze chemical in the water circuit. It is recommended to use 7 : 4 anti-freeze to water ratio.
- The water velocity in pipes should be kept within certain limits of material to avoid erosion, corrosion and excessive noise generation.
Be aware, and take care of , that local velocities in small pipes, bends and similar obstructions can exceed the values above.
e.g.) Copper: 1.5 m/s

⚠ Warning:

- **Always use water that meets the above quality requirements. Using water that does not meet these standards may result in damage to the system pipework and heating components.**
- **Never use anything other than water as a medium. It may cause a fire or an explosion.**
- **Do not use heated water that is produced by the air to water heat pump directly for drinking or cooking. There is a risk to damage your health. There is also a risk that installing the water heat exchanger may corrode if the necessary water quality for air to water heat pump system cannot be maintained. If you wish to use the heated water from the heated pump for these purposes, take measure such as to the second heat exchanger within the water piping system.**

Additional Requirements for using R32 Refrigerant

1. Important Notice (Fire safety)

R32 is flammable refrigerant, and the fire safety warranty for the whole system (including outdoor unit) must be done by your side. Conformity of regulations ((e.g. IEC 60335) and laws must be confirmed on the system by your side.

2. Pressure sensor (Outdoor unit : SUZ-SWM**)

Pressure sensor (option) is necessary for SUZ-SWM outdoor unit. Refer to the manual of PAC-PS01-E for details.

3. Flow sensor (Outdoor unit : PUZ-(H)WM**)

Flow sensor (option) is necessary for PUZ-(H)WM outdoor unit. Refer to the manual of PAC-FS01-E for details.

4. Pressure relief valve (Outdoor unit : PUZ-(H)WM**)

Do not attach the pressure relief valve to the heating (cooling) circuit on PUZ-(H)WM outdoor unit.

1	Optional parts list	D-2
2	ATW wireless system	D-14
	1. Safety precautions	D-14
	2. Accessories and installation tool.....	D-15
	3. Before using ATW wireless system.....	D-15
	4. Installing wireless receiver	D-16
	5. Pairing process	D-21
	6. Setting wireless remote controllers.....	D-22
	7. Wireless receiver operation	D-25
	8. Q&A.....	D-27
	9. Specifications	D-28
3	Immersion heater.....	D-29
4	EHPT accessories for UK.....	D-35
5	High temp. thermistor	D-39
6	High temp. thermistor	D-42
7	2 zone kit	D-45
8	Pressure sensor.....	D-55
9	Flow sensor.....	D-57
10	Connector for drain hose heater	D-59
11	Muffler.....	D-63

Optional parts

■ Packaged model

<Indoor unit (Cylinder unit)>

Parts name	Model name	Specification	Cylinder unit							
			EHPT17X-VM2D	EHPT17X-VM6D	EHPT17X-YM9D	ERPT17X-VM2D	EHPT20X-MED	EHPT20X-VM6D	EHPT20X-YM9D	EHPT20X-YM9ED
Wireless remote controller	PAR-WT50R-E		x	x	x	x	x	x	x	x
Wireless receiver	PAR-WR51R-E		x	x	x	x	x	x	x	x
Thermistors	PAC-SE41TS-E	For room temp.	x	x	x	x	x	x	x	x
	PAC-TH011-E	For zone (flow and return temp.)	x	x	x	x	x	x	x	x
	PAC-TH012HT-E	For boiler and buffer (5 m)	x	x	x	x	x	x	x	x
	PAC-TH012HTL-E	For boiler and buffer (30 m)	x	x	x	x	x	x	x	x
Immersion heater	PAC-IH01V2-E	1Ph 1kW	x	x	x	x	x	x	x	x
	PAC-IH03V2-E	1Ph 3kW	x	x	x	x	x	x	x	x
EHPT accessories for UK	PAC-WK02UK-E		-	-	-	-	-	-	-	-
Wi-Fi interface	MAC-587IF-E		x	x	x	x	x	x	x	x
2 zone kit	PAC-TZ02-E		x	x	x	x	x	x	x	x
Expansion vessel kit	PAC-EVP12-E1	12L	-	-	-	-	x	-	-	x

<Indoor unit (Cylinder unit)>

Parts name	Model name	Specification	Cylinder unit							
			EHPT20X-TM9D	ERPT20X-MD	ERPT20X-VM2D	ERPT20X-VM6D	EHPT30X-MED	EHPT30X-YM9ED	ERPT30X-VM2ED	EHPT20X-MHEDW
Wireless remote controller	PAR-WT50R-E		x	x	x	x	x	x	x	x
Wireless receiver	PAR-WR51R-E		x	x	x	x	x	x	x	x
Thermistors	PAC-SE41TS-E	For room temp.	x	x	x	x	x	x	x	x
	PAC-TH011-E	For zone (flow and return temp.)	x	x	x	x	x	x	x	x
	PAC-TH012HT-E	For boiler and buffer (5 m)	x	x	x	x	x	x	x	x
	PAC-TH012HTL-E	For boiler and buffer (30 m)	x	x	x	x	x	x	x	x
Immersion heater	PAC-IH01V2-E	1Ph 1kW	x	x	x	x	x	x	x	-
	PAC-IH03V2-E	1Ph 3kW	x	x	x	x	x	x	x	-
EHPT accessories for UK	PAC-WK02UK-E		-	-	-	-	-	-	-	x
Wi-Fi interface	MAC-587IF-E		x	x	x	x	x	x	x	x
2 zone kit	PAC-TZ02-E		x	x	x	x	x	x	x	x
Expansion vessel kit	PAC-EVP12-E1	12L	-	-	-	-	x	x	x	x

<Indoor unit (Hydrobox)>

Parts name	Model name	Specification	Hydrobox				
			EHPX-MED	EHPX-VM2D	EHPX-VM6D	EHPX-YM9D	EHPX-YM9ED
Wireless remote controller	PAR-WT50R-E		x	x	x	x	x
Wireless receiver	PAR-WR51R-E		x	x	x	x	x
Thermistors	PAC-SE41TS-E	For room temp.	x	x	x	x	x
	PAC-TH011-E	For zone (flow and return temp.)	x	x	x	x	x
	PAC-TH011TK2-E	For tank temp. (5 m)	x	x	x	x	x
	PAC-TH011TKL2-E	For tank temp. (30 m)	x	x	x	x	x
	PAC-TH012HT-E	For boiler and buffer (5 m)	x	x	x	x	x
	PAC-TH012HTL-E	For boiler and buffer (30 m)	x	x	x	x	x
Wi-Fi interface	MAC-587IF-E		x	x	x	x	x
2 zone kit	PAC-TZ02-E		x	x	x	x	x
Expansion vessel kit	PAC-EVP12-E1	12L	-	-	-	-	x

<Outdoor unit>

Parts name	Model name	Power Inverter				
		PUZ-WM50VHA(-BS)	PUZ-WM60VAA(-BS)	PUZ-WM85V/ YAA(-BS)	PUZ-WM112V/ YAA(-BS)	PUZ-HWM140V/ YHA(-BS)
Connector for Drain Hose Heater Signal Output	PAC-SE60RA-E	x	x	x	x	x
	PAC-SE61RA-E	-	-	-	-	-
Air discharge Guide	MAC-886SG-E	-	-	-	-	-
	PAC-SJ07SG-E	-	-	-	-	-
	PAC-SG59SG-E	x	-	-	-	x
	PAC-SH96SG-E	-	x ^{*2}	x ^{*2}	x ^{*2}	-
Air Protection Guide	PAC-SJ06AG-E	-	-	-	-	-
	PAC-SH63AG-E	x	-	-	-	x
	PAC-SH95AG-E	-	x ^{*2}	x ^{*2}	x ^{*2}	-
Attachment	PAC-SJ82AT-E	-	x	x	x	-
Drain Socket	PAC-SG61DS-E	x	x	x	x	-
	PAC-SJ08DS-E	-	-	-	-	-
Centralized Drain Pan ^{*1}	PAC-SG63DP-E	-	-	-	-	-
	PAC-SG64DP-E	x	-	-	-	-
	PAC-SH97DP-E	-	-	-	-	-
	PAC-SJ83DP-E	-	x	x	x	-
Control/Service Tool	PAC-SK52ST	x	x	x	x	x
Defrost Heater	MAC-642BH-U1	-	-	-	-	-

^{*1} Cannot be used for cold climate.

^{*2} Attachment (PAC-SJ82AT-E) is necessary for the Air Guide.

<Interface/Flow temperature control>

Parts name	Model name	Specification	Power Inverter				
			PUZ-WM50VHA(-BS)	PUZ-WM60VAA(-BS)	PUZ-WM85V/ YAA(-BS)	PUZ-WM112V/ YAA(-BS)	PUZ-HWM140V/ YHA(-BS)
Flow Temperature Controller	PAC-IF033B-E	1 PC Board w/ Case	x ^{*3}	x ^{*3}	x ^{*3}	x ^{*3}	x ^{*3}
System controllers	PAC-IF072B-E	1 PC Board w/ Case	x ^{*3}	x ^{*3}	x ^{*3}	x ^{*3}	x ^{*3}
	PAC-SIF051B-E	1 PC Board w/ Case	-	-	-	-	-
Flow sensor	PAC-FS01-E	1 PC Flow sensor	x	x	x	x	x
Thermistor	PAC-TH011-E		x	x	x	x	x

^{*3} Flow sensor (PAC-FS01-E) is required.

CONTENTS

Parts name	Model name	Contents	Q'ty	
Air discharge guide	MAC-886SG-E	Air discharge guide	1	
		Screw	4	
	PAC-SJ07SG-E	Air discharge guide	1	
		Support (For right and left)	2	
		Attachment screw(5×10)	4	
		Attachment screw(4×10)	4	
	PAC-SG59SG-E	Air discharge guide	1	
		Attachment screw(5×35)	4	
		Spacer	4	
	PAC-SH96SG-E	Air discharge guide	1	
		Support	1	
		Screw(5×15)	12	
		Washer	12	
		Spring washer	12	
	Air protection guide	PAC-SJ06AG-E	Air protect guide	1
			Mounting screw (4×16)	4
Washer (for screw 4×16)			4	
Spring washer			4	
PAC-SH63AG-E		Air guide	1	
		Mounting screw (5×15)	4	
		Washer	4	
		Spring washer	4	
PAC-SH95AG-E		Air guide	1	
		Mounting screw (5×15)	6	
		Washer	6	
		Spring washer	6	
Drain socket	PAC-SG61DS-E	Drain socket	1	
		Drain cap (φ33)	5	
		Heat insulator	3	
		Band	8	
	PAC-SJ08DS-E	Drain socket	1	
Centralized drain pan	PAC-SG63DP-E	Centralized drain pan	1	
	PAC-SG64DP-E	Centralized drain pan	1	
	PAC-SH97DP-E	Centralized drain pan	1	
	PAC-SJ83DP-E	Centralized drain pan	1	
Control/Service tool	PAC-SK52ST	Control/Service Tool	1	
Defrost Heater	MAC-642BH-U1	Defrost heater (with 2-pin lead assembly)	1	
		Heater support	1	
		Cable tie	1	
		Cable clamp	1	
		Self drilling screw	2	
		Wiring diagram	1	
		Insulation	1	
		3-pin lead assembly	1	
Capacity step control interface	PAC-IF011B-E	PC Board	1	
		Case	1	
		Thermistor	2	
Flow temperature controller	PAC-IF033B-E	PC Board	1	
		Case	1	
		Thermistor	3	
		Remote controller	1	
		Remote controller cable (5m)	1	
System controllers	PAC-IF072B-E	PC Board	1	
		Case	1	
		Flow/Return water temp. thermistor	1	
		Remote controller	1	
		Remote controller cable (10m)	1	
		SD memory card	1	
	PAC-SIF051B-E	PC Board	1	
		Case	1	
		Thermistor	1	
		Flow/Return water temp thermistor	1	
Thermistors	PAC-TH011-E	For zone (flow and return temp.)	20 ¹⁾	
	PAC-TH011TK2-E	For tank temp. (5m)	10 ²⁾	
	PAC-TH011TKL2-E	For tank temp. (30m)	5 ³⁾	
	PAC-TH012HT-E	For boiler and buffer (5m)	10 ²⁾	
	PAC-TH012HTL-E	For boiler and buffer (30m)	5 ³⁾	
2 zone kit	PAC-TZ02-E	2 zone kit	1	
		Flexible hose	2	
		Conversion joint	2	
		Gasket	4	
Attachment	PAC-SJ82AT-E	Attachment	2	
		Mounting screw 5×15	8	
		Washer	8	
		Spring washer	8	

Parts name	Model name	Contents	Q'ty
Wi-Fi interface	MAC-587IF-E	Interface unit (with connecting cable)	1
		Fixing screw 3.5×16 mm	2
		Fixing screw 4×16 mm	1
		Mounting cord clamp	1
		Fastener (for bundling the wires)	1
		Holder	1
		Clip	1
Pressure sensor	PAC-PS01-E	Pressure sensor	20
Flow sensor	PAC-FS01-E	Flow sensor body	1
		Flow sensor cable	1
		O-ring	2
Expansion vessel kit	PAC-EVP12-E1	Expansion vessel 12L	1
		5 bar pressure relief valve	1

Notes:

- 1) Two thermistors per package; 10 packages per carton
- 2) One thermistors per package; 10 packages per carton
- 3) One thermistors per package; 5 packages per carton

Split model

<Indoor unit (Cylinder unit)>

Parts name	Model name	Specification	Cylinder unit							
			EHST17D-VM2D	ERST17D-VM2D	ERST17D-VM2BD	ERST17D-VM6BD	ERST17D-YM9BD	EHST20D-MED	EHST20D-VM2D	EHST20D-VM6D
Wireless remote controller	PAR-WT50R-E		x	x	x	x	x	x	x	x
Wireless receiver	PAR-WR51R-E		x	x	x	x	x	x	x	x
Thermistors	PAC-SE41TS-E	For room temp.	x	x	x	x	x	x	x	x
	PAC-TH011-E	For zone (flow and return temp.)	x	x	x	x	x	x	x	x
	PAC-TH011TK2-E	For tank temp. (5 m)	—	—	—	—	—	—	—	—
	PAC-TH011TKL2-E	For tank temp. (30 m)	—	—	—	—	—	—	—	—
	PAC-TH012HT-E	For boiler and buffer (5 m)	x	x	x	x	x	x	x	x
	PAC-TH012HTL-E	For boiler and buffer (30 m)	x	x	x	x	x	x	x	x
Immersion heater	PAC-IH01V2-E	1Ph 1kW	x	x	x	x	x	x	x	x
	PAC-IH03V2-E	1Ph 3kW	x	x	x	x	x	x	x	x
Joint pipe	PAC-SG72RJ-E	For PUHZ-SW75 ø6.35→ø9.52	x	x	x	x	x	x	x	x
	PAC-SG73RJ-E	For PUHZ-SW200YKA/ SHW230YKA2(-BS) ø9.52→ø12.7	—	—	—	—	—	—	—	—
	PAC-SG74RJ-E	For PUHZ-SW75 ø12.7→ø15.88	x	x	x	x	x	x	x	x
Wi-Fi interface	MAC-587IF-E		x	x	x	x	x	x	x	x
2 zone kit	PAC-TZ02-E		x	x	x	x	x	x	x	x
Expansion vessel kit	PAC-EVP12-E1	12L	—	—	—	—	—	x	—	—

<Indoor unit (Cylinder unit)>

Parts name	Model name	Specification	Cylinder unit		
			EHST20D-YM9D	EHST20D-YM9ED	EHST20D-TM9D
Wireless remote controller	PAR-WT50R-E		x	x	x
Wireless receiver	PAR-WR51R-E		x	x	x
Thermistors	PAC-SE41TS-E	For room temp.	x	x	x
	PAC-TH011-E	For zone (flow and return temp.)	x	x	x
	PAC-TH011TK2-E	For tank temp. (5 m)	—	—	—
	PAC-TH011TKL2-E	For tank temp. (30 m)	—	—	—
	PAC-TH012HT-E	For boiler and buffer (5 m)	x	x	x
	PAC-TH012HTL-E	For boiler and buffer (30 m)	x	x	x
Immersion heater	PAC-IH01V2-E	1Ph 1kW	x	x	x
	PAC-IH03V2-E	1Ph 3kW	x	x	x
Joint pipe	PAC-SG72RJ-E	For PUHZ-SW75 ø6.35→ø9.52	x	x	x
	PAC-SG73RJ-E	For PUHZ-SW200YKA/ SHW230YKA2(-BS) ø9.52→ø12.7	—	—	—
	PAC-SG74RJ-E	For PUHZ-SW75 ø12.7→ø15.88	x	x	x
Wi-Fi interface	MAC-587IF-E		x	x	x
2 zone kit	PAC-TZ02-E		x	x	x
Expansion vessel kit	PAC-EVP12-E1	12L	—	x	—

Parts name	Model name	Specification	Cylinder unit					
			ERST20D-VM2D	EHST30D-MED	EHST30D-VM6ED	EHST30D-YM9ED	EHST30D-TM9ED	ERST30D-VM2ED
Wireless remote controller	PAR-WT50R-E		x	x	x	x	x	x
Wireless receiver	PAR-WR51R-E		x	x	x	x	x	x
Thermistors	PAC-SE41TS-E	For room temp.	x	x	x	x	x	x
	PAC-TH011-E	For zone (flow and return temp.)	x	x	x	x	x	x
	PAC-TH011TK2-E	For tank temp. (5 m)	—	—	—	—	—	—
	PAC-TH011TKL2-E	For tank temp. (30 m)	—	—	—	—	—	—
	PAC-TH012HT-E	For boiler and buffer (5 m)	x	x	x	x	x	x
	PAC-TH012HTL-E	For boiler and buffer (30 m)	x	x	x	x	x	x
Immersion heater	PAC-IH01V2-E	1Ph 1kW	x	x	x	x	x	x
	PAC-IH03V2-E	1Ph 3kW	x	x	x	x	x	x
Joint pipe	PAC-SG72RJ-E	For PUAZ-SW75 ø6.35→ø9.52	x	x	x	x	x	x
	PAC-SG73RJ-E	For PUAZ-SW200YKA/ SHW230YKA2(-BS) ø9.52→ø12.7	—	—	—	—	—	—
	PAC-SG74RJ-E	For PUAZ-SW75 ø12.7→ø15.88	x	x	x	x	x	x
Wi-Fi interface	MAC-587IF-E		x	x	x	x	x	x
2 zone kit	PAC-TZ02-E		x	x	x	x	x	x
Expansion vessel kit	PAC-EVP12-E1	12L	—	x	x	x	x	x

<Indoor unit (Hydrobox)>

Parts name	Model name	Specification	Hydrobox								
			EHSD-MED	EHSD-VM2D	EHSD-VM6D	EHSD-YM9D	EHSD-YM9ED	EHSD-TM9D	ERSD-MED	ERSD-VM2D	
Wireless remote controller	PAR-WT50R-E		x	x	x	x	x	x	x	x	x
Wireless receiver	PAR-WR51R-E		x	x	x	x	x	x	x	x	x
Thermistors	PAC-SE41TS-E	For room temp.	x	x	x	x	x	x	x	x	x
	PAC-TH011-E	For zone (flow and return temp.)	x	x	x	x	x	x	x	x	x
	PAC-TH011TK2-E	For tank temp. (5 m)	x	x	x	x	x	x	x	x	x
	PAC-TH011TKL2-E	For tank temp. (30 m)	x	x	x	x	x	x	x	x	x
	PAC-TH012HT-E	For boiler and buffer (5 m)	x	x	x	x	x	x	x	x	x
	PAC-TH012HTL-E	For boiler and buffer (30 m)	x	x	x	x	x	x	x	x	x
Joint pipe	PAC-SG72RJ-E	For PUHZ-SW75 ø6.35→ø9.52	x	x	x	x	x	x	x	x	x
	PAC-SG73RJ-E	For PUHZ-SW200YKA/ SHW230YKA2(-BS) ø9.52→ø12.7	—	—	—	—	—	—	—	—	—
	PAC-SG74RJ-E	For PUHZ-SW75 ø12.7→ø15.88	x	x	x	x	x	x	x	x	x
Wi-Fi interface	MAC-587IF-E		x	x	x	x	x	x	x	x	x
2 zone kit	PAC-TZ02-E		x	x	x	x	x	x	x	x	x
Expansion vessel kit	PAC-EVP12-E1	12L	x	—	—	—	x	—	x	—	—

<Indoor unit (GSHP)>

Parts name	Model name	Specification	GSHP
			EHGT17D-YM9ED
Wireless remote controller	PAR-WT50R-E		x
Wireless receiver	PAR-WR51R-E		x
Thermistors	PAC-SE41TS-E	For room temp.	x
	PAC-TH011-E	For zone (flow and return temp.)	x
	PAC-TH011TK2-E	For tank temp. (5 m)	x
	PAC-TH011TKL2-E	For tank temp. (30 m)	x
	PAC-TH012HT-E	For boiler and buffer (5 m)	x
	PAC-TH012HTL-E	For boiler and buffer (30 m)	x
Immersion heater	PAC-IH01V2-E	1Ph 1W	x
Wi-Fi interface	MAC-587IF-E		x
2 zone kit	PAC-TZ02-E		x
Expansion vessel kit	PAC-EVP12-E1	12L	x

<Indoor unit (WTW)>

Parts name	Model name	Specification	WTW
			EHWT17D-MHEDW
Wireless remote controller	PAR-WT50R-E		x
Wireless receiver	PAR-WR51R-E		x
Thermistors	PAC-SE41TS-E	For room temp.	x
	PAC-TH011-E	For zone (flow and return temp.)	x
	PAC-TH011TK2-E	For tank temp. (5 m)	x
	PAC-TH011TKL2-E	For tank temp. (30 m)	x
	PAC-TH012HT-E	For boiler and buffer (5 m)	x
	PAC-TH012HTL-E	For boiler and buffer (30 m)	x
Wi-Fi interface	MAC-587IF-E		x
2 zone kit	PAC-TZ02-E		x
Expansion vessel kit	PAC-EVP12-E1	12L	x
EHPT accessories for UK	PAC-WK02UK-E		x

<Outdoor unit>

Parts name	Model name	Eco Inverter						
		SUZ-SWM30VA	SUZ-SWM40VA	SUZ-SWM40VA2	SUZ-SWM60VA	SUZ-SWM60VA2	SUZ-SWM80VA	SUZ-SWM80VA2
Connector for Drain Hose Heater Signal Output	PAC-SE60RA-E	—	—	—	—	—	—	—
	PAC-SE61RA-E	—	—	—	—	—	—	—
	MAC-061RA-E	x	—	x	—	x	—	x
	MAC-062RA-E	—	—	—	—	—	—	—
Air discharge Guide	MAC-886SG-E	—	x	—	x	—	x	—
	MAC-882SG	x	—	x	—	x	—	—
	MAC-890SG-E	—	—	—	—	—	—	x
	PAC-SJ07SG-E	—	—	—	—	—	—	—
	PAC-SG59SG-E	—	—	—	—	—	—	—
	PAC-SH96SG-E	—	—	—	—	—	—	—
Air Protection Guide	PAC-SJ06AG-E	—	—	—	—	—	—	—
	PAC-SH63AG-E	—	—	—	—	—	—	—
	PAC-SH95AG-E	—	—	—	—	—	—	—
Attachment	PAC-SJ82AT-E	—	—	—	—	—	—	—
Drain Socket*1	PAC-SG61DS-E	—	—	—	—	—	—	—
	PAC-SJ08DS-E	—	—	—	—	—	—	—
Centralized Drain Pan*1	PAC-SG63DP-E	—	—	—	—	—	—	—
	PAC-SG64DP-E	—	—	—	—	—	—	—
	PAC-SH97DP-E	—	—	—	—	—	—	—
	PAC-SJ83DP-E	—	—	—	—	—	—	—
Control/Service Tool	PAC-SK52ST	—	—	—	—	—	—	—
Defrost Heater	MAC-642BH-U1	—	x	—	x	—	x	—
Muffler	MAC-001MF-E	—	—	—	—	—	—	—

<Outdoor unit>

Parts name	Model name	Eco Inverter (Standard)			Eco Inverter (Hyper Heating)		
		SUZ-SWM80VAH2	SUZ-SWM100VA	SUZ-SWM100VAH	SUZ-SHWM30VAH	SUZ-SHWM40VAH	SUZ-SHWM60VAH
Connector for Drain Hose Heater Signal Output	PAC-SE60RA-E	—	—	—	—	—	—
	PAC-SE61RA-E	—	—	—	—	—	—
	MAC-061RA-E	—	x	—	—	—	—
	MAC-062RA-E	—	—	—	—	—	—
Air discharge Guide	MAC-886SG-E	—	—	—	—	—	—
	MAC-882SG	—	—	—	x	x	—
	MAC-890SG-E	x	x	x	—	—	x
	PAC-SJ07SG-E	—	—	—	—	—	—
	PAC-SG59SG-E	—	—	—	—	—	—
	PAC-SH96SG-E	—	—	—	—	—	—
Air Protection Guide	PAC-SJ06AG-E	—	—	—	—	—	—
	PAC-SH63AG-E	—	—	—	—	—	—
	PAC-SH95AG-E	—	—	—	—	—	—
Attachment	PAC-SJ82AT-E	—	—	—	—	—	—
Drain Socket*1	PAC-SG61DS-E	—	—	—	—	—	—
	PAC-SJ08DS-E	—	—	—	—	—	—
Centralized Drain Pan*1	PAC-SG63DP-E	—	—	—	—	—	—
	PAC-SG64DP-E	—	—	—	—	—	—
	PAC-SH97DP-E	—	—	—	—	—	—
	PAC-SJ83DP-E	—	—	—	—	—	—
Control/Service Tool	PAC-SK52ST	—	—	—	—	—	—
Defrost Heater	MAC-642BH-U1	—	—	—	—	—	—
Muffler	MAC-001MF-E	—	—	—	—	—	—

<Outdoor unit>

Parts name	Model name	Power Inverter			
		PUD-SWM60VAA	PUD-SWM80VAA PUD-SWM80YAA	PUD-SWM100VAA PUD-SWM100YAA	PUD-SWM120VAA PUD-SWM120YAA
Connector for Drain Hose Heater Signal Output	PAC-SE60RA-E	x	x	x	x
	PAC-SE61RA-E	—	—	—	—
	MAC-061RA-E	—	—	—	—
	MAC-062RA-E	—	—	—	—
Air discharge Guide	MAC-886SG-E	—	—	—	—
	MAC-882SG	—	—	—	—
	MAC-890SG-E	—	—	—	—
	PAC-SJ07SG-E	—	—	—	—
	PAC-SG59SG-E	—	—	—	—
	PAC-SH96SG-E	x*2	x*2	x*2	x*2
Air Protection Guide	PAC-SJ06AG-E	—	—	—	—
	PAC-SH63AG-E	—	—	—	—
	PAC-SH95AG-E	x*2	x*2	x*2	x*2
Attachment	PAC-SJ82AT-E	x	x	x	x
Drain Socket*1	PAC-SG61DS-E	x	x	x	x
	PAC-SJ08DS-E	—	—	—	—
Centralized Drain Pan*1	PAC-SG63DP-E	—	—	—	—
	PAC-SG64DP-E	—	—	—	—
	PAC-SH97DP-E	—	—	—	—
	PAC-SJ83DP-E	x	x	x	x
Control/Service Tool	PAC-SK52ST	x	x	x	x
Defrost Heater	MAC-642BH-U1	—	—	—	—
Muffler	MAC-001MF-E	—	—	—	—

Parts name	Model name	ZUBADAN					PXZ-ecodan	
		PUD-SHWM60VAA	PUD-SHWM80VAA PUD-SHWM80YAA	PUD-SHWM100VAA PUD-SHWM100YAA	PUD-SHWM120VAA PUD-SHWM120YAA	PUD-SHWM140VAA PUD-SHWM140YAA	PXZ-4F75VG	PXZ-5F85VG
Connector for Drain Hose Heater Signal Output	PAC-SE60RA-E	x	x	x	x	x	—	—
	PAC-SE61RA-E	—	—	—	—	—	—	—
	MAC-061RA-E	—	—	—	—	—	—	—
	MAC-062RA-E	—	—	—	—	—	x	x
Air discharge Guide	MAC-886SG-E	—	—	—	—	—	—	—
	MAC-882SG	—	—	—	—	—	—	—
	MAC-890SG-E	—	—	—	—	—	—	—
	PAC-SJ07SG-E	—	—	—	—	—	—	—
	PAC-SG59SG-E	—	—	—	—	—	—	—
	PAC-SH96SG-E	x*2	x*2	x*2	x*2	x*2	—	—
Air Protection Guide	PAC-SJ06AG-E	—	—	—	—	—	—	—
	PAC-SH63AG-E	—	—	—	—	—	—	—
	PAC-SH95AG-E	x*2	x*2	x*2	x*2	x*2	—	—
Attachment	PAC-SJ82AT-E	x	x	x	x	x	—	—
Drain Socket*1	PAC-SG61DS-E	x	x	x	x	x	—	—
	PAC-SJ08DS-E	—	—	—	—	—	—	—
Centralized Drain Pan*1	PAC-SG63DP-E	—	—	—	—	—	—	—
	PAC-SG64DP-E	—	—	—	—	—	—	—
	PAC-SH97DP-E	—	—	—	—	—	—	—
	PAC-SJ83DP-E	x	x	x	x	x	—	—
Control/Service Tool	PAC-SK52ST	x	x	x	x	x	—	—
Defrost Heater	MAC-642BH-U1	—	—	—	—	—	—	—
Muffler	MAC-001MF-E	—	—	—	—	—	x	x

*1 Cannot be used for cold climate.

*2 Attachment (PAC-SJ82AT-E) is necessary for the Air Guide.

<Interface/Flow temperature control>

Parts name	Model name	Specification	Eco Inverter (Standard)						
			SUZ-SWM30VA	SUZ-SWM40VA	SUZ-SWM40VA2	SUZ-SWM60VA	SUZ-SWM60VA2	SUZ-SWM80VA	SUZ-SWM80VA2
Flow Temperature Controller	PAC-IF033B-E	1 PC Board w/ Case	—	—	—	—	—	—	—
System controllers	PAC-IF071B-E	1 PC Board w/ Case	x*3	x*3	x*3	x*3	x*3	x*3	x*3
	PAC-SIF051B-E	1 PC Board w/ Case	—	—	—	—	—	—	—
Pressure sensor	PAC-PS01-E	20 PC Pressure sensor	x	x	x	x	x	x	x
Flow sensor	PAC-FS01-E	1 PC Flow sensor	x	x	x	x	x	x	x
Thermistor	PAC-TH011-E		x	x	x	x	x	x	x

*3 Pressure sensor (PAC-PS01-E) is required.

Parts name	Model name	Specification	Eco Inverter (Standard)			Eco Inverter (Hyper Heating)		
			SUZ-SWM80VAH2	SUZ-SWM100VA	SUZ-SWM100VAH	SUZ-SHWM30VAH	SUZ-SHWM40VAH	SUZ-SHWM60VAH
Flow Temperature Controller	PAC-IF033B-E	1 PC Board w/ Case	—	—	—	—	—	—
System controllers	PAC-IF071B-E	1 PC Board w/ Case	x*3	x*3	x*3	x*3	x*3	x*3
	PAC-SIF051B-E	1 PC Board w/ Case	—	—	—	—	—	—
Pressure sensor	PAC-PS01-E	20 PC Pressure sensor	x	x	x	x	x	x
Flow sensor	PAC-FS01-E	1 PC Flow sensor	x	x	x	x	x	x
Thermistor	PAC-TH011-E		x	x	x	x	x	x

*3 Pressure sensor (PAC-PS01-E) is required.

Parts name	Model name	Specification	Power Inverter			
			PUD-SWM60VAA	PUD-SWM80VAA PUD-SWM80YAA	PUD-SWM100VAA PUD-SWM100YAA	PUD-SWM120VAA PUD-SWM120YAA
Flow Temperature Controller	PAC-IF033B-E	1 PC Board w/ Case	—	—	—	—
System controllers	PAC-IF071B-E	1 PC Board w/ Case	—	—	—	—
	PAC-SIF051B-E	1 PC Board w/ Case	—	—	—	—
Pressure sensor	PAC-PS01-E	20 PC Pressure sensor	—	—	—	—
Flow sensor	PAC-FS01-E	1 PC Flow sensor	—	—	—	—
Thermistor	PAC-TH011-E		—	—	—	—

*3 Pressure sensor (PAC-PS01-E) is required.

Parts name	Model name	Specification	ZUBADAN					PXZ-ecodan	
			PUD-SWM60VAA	PUD-SWM80VAA PUD-SWM80YAA	PUD-SWM100VAA PUD-SWM100YAA	PUD-SWM120VAA PUD-SWM120YAA	PUD-SHWM140VAA PUD-SHWM140YAA	PXZ-4F75VG	PXZ-5F85VG
Flow Temperature Controller	PAC-IF033B-E	1 PC Board w/ Case	—	—	—	—	—	—	—
System controllers	PAC-IF071B-E	1 PC Board w/ Case	—	—	—	—	—	—	—
	PAC-SIF051B-E	1 PC Board w/ Case	—	—	—	—	—	—	—
Pressure sensor	PAC-PS01-E	20 PC Pressure sensor	—	—	—	—	—	—	—
Flow sensor	PAC-FS01-E	1 PC Flow sensor	—	—	—	—	—	—	—
Thermistor	PAC-TH011-E		—	—	—	—	—	—	—

CONTENTS

Parts name	Model name	Contents	Q'ty
Air discharge guide	MAC-886SG-E	Air discharge guide	1
		Screw	4
	PAC-SJ07SG-E	Air discharge guide	1
		Support (For right and left)	2
		Attachment screw(5×10)	4
		Attachment screw(4×10)	4
	PAC-SG59SG-E	Air discharge guide	1
		Attachment screw(5×35)	4
		Spacer	4
	PAC-SH96SG-E	Air discharge guide	1
		Support	1
		Screw(5×15)	12
		Washer	12
		Spring washer	12
	Air protection guide	PAC-SJ06AG-E	Air protect guide
Mounting screw (4×16)			4
Washer (for screw 4×16)			4
Spring washer			4
PAC-SH63AG-E		Air guide	1
		Mounting screw (5×15)	4
		Washer	4
		Spring washer	4
PAC-SH95AG-E		Air guide	1
		Mounting screw (5×15)	6
		Washer	6
		Spring washer	6
Drain socket	PAC-SG61DS-E	Drain socket	1
		Drain cap (φ33)	5
		Heat insulator	3
		Band	8
Centralized drain pan	PAC-SJ08DS-E	Drain socket	1
	PAC-SG63DP-E	Centralized drain pan	1
	PAC-SG64DP-E	Centralized drain pan	1
	PAC-SH97DP-E	Centralized drain pan	1
	PAC-SJ83DP-E	Centralized drain pan	1
Control/Service tool	PAC-SK52ST	Control/Service Tool	1
Defrost Heater	MAC-642BH-U1	Defrost heater (with 2-pin lead assembly)	1
		Heater support	1
		Cable tie	1
		Cable clamp	1
		Self drilling screw	2
		Wiring diagram	1
		Insulation	1
		3-pin lead assembly	1
Capacity step control interface	PAC-IF011B-E	PC Board	1
		Case	1
		Thermistor	2
Flow temperature controller	PAC-IF033B-E	PC Board	1
		Case	1
		Thermistor	3
		Remote controller	1
		Remote controller cable (5m)	1
System controllers	PAC-IF071B-E	PC Board	1
		Case	1
		Thermistor	1
		Flow/Return water temp. thermistor	1
		Remote controller	1
		Remote controller cable (10m)	1
		SD memory card	1
	PAC-SIF051B-E	PC Board	1
		Case	1
		Thermistor	1
Thermistors	PAC-TH011-E	For zone (flow and return temp.)	20 ¹⁾
	PAC-TH011TK2-E	For tank temp. (5m)	10 ²⁾
	PAC-TH011TKL2-E	For tank temp. (30m)	5 ³⁾
	PAC-TH012HT-E	For boiler and buffer (5m)	10 ²⁾
	PAC-TH012HTL-E	For boiler and buffer (30m)	5 ³⁾

Parts name	Model name	Contents	Qty
2 zone kit	PAC-TZ02-E	2 zone kit	1
		Flexible hose	2
		Conversion joint	2
		Gasket	4
Attachment	PAC-SJ82AT-E	Attachment	2
		Mounting screw 5×15	8
		Washer	8
		Spring washer	8
Wi-Fi interface	MAC-587IF-E	Interface unit (with connecting cable)	1
		Fixing screw 3.5×16 mm	2
		Fixing screw 4×16 mm	1
		Mounting cord clamp	1
		Fastener (for bundling the wires)	1
		Holder	1
		Clip	1
Pressure sensor	PAC-PS01-E	Pressure sensor	20
Flow sensor	PAC-FS01-E	Flow sensor body	1
		Flow sensor cable	1
		O-ring	2
Expansion vessel kit	PAC-EVP12-E1	Expansion vessel 12L	1
		5 bar pressure relief valve	1
Drain hose heater connector	MAC-061RA-E	Terminal bed	1
		Screw (4×12)	2
		Lead wire with connector (3 PIN) for SUZ-SWM30/40/60VA* (-SC)	1
		Lead wire with connector (2 PIN) for SUZ-SWM80/100VA*	1
	MAC-062RA-E	Terminal bed	1
		Lead wire with connector	1
Muffler	MAC-001MF-E	Screw (4×25)	1
		Muffler	1
		Flare nut	2
		Pipe cover (EPT)	2
		Pipe cover	2

Notes:

- 1) Two thermistors per package; 10 packages per carton
- 2) One thermistors per package; 10 packages per carton
- 3) One thermistors per package; 5 packages per carton

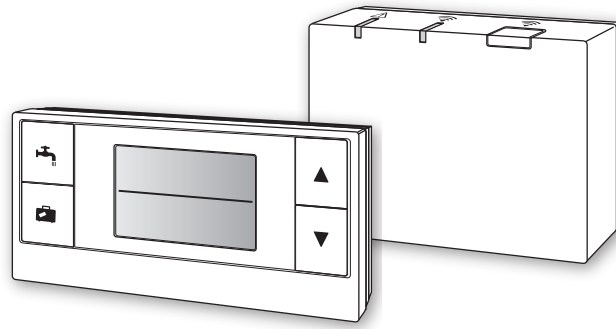


ecodan

Wireless Remote Controller and Receiver

PAR-WT50R-E

PAR-WR51R-E



This manual explains installation of the PAR-WR51R-E wireless receiver and the PAR-WT50R-E wireless remote controller, and settings of these devices. Before installing the devices, read this manual thoroughly. After reading, be sure to hand this manual to the user.

1. Safety precautions

- The precautions mentioned below are important to use the device safely. Be sure to understand and follow them.
- The following hazardous classification shows the likelihood and severity of hazards if a person does not follow the instructions contained on the following signs.

Warning	Indicates a hazardous situation which, if a person does not follow the instructions, could result in death or serious injury.
Caution	Indicates a potentially hazardous situation that, if a person does not follow the instructions, may result in bodily injury or property damage.

Warning

► Installation

Do not use the device in particular environments.	Do not use the device in particular environments where the following substances are present in large amounts: oil, vapour, organic solvent, corrosive gas (such as ammonia, sulphuric compounds, and acid or the like), or where acid or alkali solution, or particular sprays are used frequently. This could affect operating performance, or cause corrosion, which could result in electrical shock, breakdown, smoke generation, or fire.
Do not place the devices in an environment where flammable gas may occur, stay, flow in, or leak.	Build-up of flammable gas could result in fire or explosion.
The device must be installed by a dealer or an authorised technician according to the appropriate installation manual.	If the device is installed improperly, electric shock or fire could result.
Do not place the device in an environment that exposes it to large amounts of vapor or condensation.	Electric shock, fire, or breakdown could result.

► Wiring

The wireless receiver's maximum voltage is 12V DC. Do not connect 230V AC power source to the wireless receiver.	Breakdown, ignition, or fire could result.
Connections must be made securely and without tension or external force on the terminals.	If connections are made improperly, breaking of wire, heat generation, or fire could result.

► Others

Do not use sharp objects to press the buttons.	Electric shock or breakdown may result.
Do not touch or operate the device with wet hands.	Electric shock or breakdown may result.
Do not wash the device with water or solution or the like.	Electric shock or breakdown may result.
When installing or repairing the device, ask a dealer or a qualified technician.	If the device is not installed properly, electric shock, smoke generation, or fire could result from entry of dust or water.
Do not disassemble or modify.	

Optional parts

⚠ Caution

Do not drop the device.	This could break the case or affect the device enough to make it inoperable.
Install the device in a place capable of bearing its own weight .	If the device is not installed securely or properly, the wireless receiver may fall.

■ Disposal

This symbol mark is for EU countries only.



This symbol mark is according to the directive 2002/96/EC Article 10 Information for users and Annex IV, and/or to the directive 2006/66/EC Article 20 Information for end-users and Annex II.

Your MITSUBISHI ELECTRIC product is designed and manufactured with high quality materials and components which can be recycled and/or reused. This symbol means that electrical and electronic equipment, batteries and accumulators, at their end-of-life, should be disposed of separately from your household waste. If a chemical symbol is printed beneath the symbol, this chemical symbol means that the battery or accumulator contains a heavy metal at a certain concentration.

This will be indicated as follows: Hg: mercury (0.0005%), Cd; cadmium (0.002 %), Pb: lead (0.004%)

In the European Union there are separate collection systems for used electrical and electronic products, batteries and accumulators.

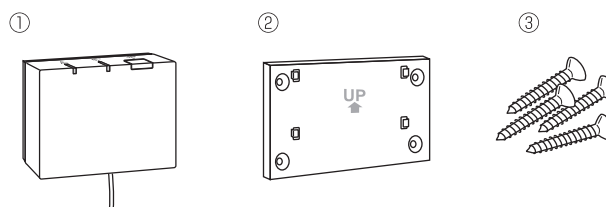
Please, dispose of this equipment, batteries and accumulators correctly at your local community waste collection/recycling centre.

Please, help us to conserve the environment we live in!

2. Accessories and installation tool

The following items are included in the box.

Part name	No.
① Wireless receiver <PAR-WR51R-E> (2 m long cable included)	1
② Bracket	1
③ Flat head screw (4.1 × 6)	4
④ Installation and setting manual	1



* Installing of the devices requires a Phillips-head screwdriver (No.2 6 mm).

3. Before using ATW wireless system

Following is the summary of the procedure for installing and setting the wireless system.

1. Devices and manuals required to set and install the wireless system

- ① PAR-WT50R-E wireless remote controller
- ② PAR-WR51R-E wireless receiver
- ③ ATW wireless system installation and setting manual (this manual)
- ④ Wireless remote controller operation manual (hereinafter abbreviated as OM)
- ⑤ Ecodan system installation manual (hereinafter abbreviated as IM)

2. Installing and setting procedure

- ① Power off the ecodan system.
- ② Install the wireless receiver on the ecodan system.
(See "4. Installing the Wireless Receiver" in this manual.)

When installing the wireless receiver, be sure to set the SW1-8 on the control board to ON. (See "5.1 DIP Switch Functions" in IM.)

- ③ Power on the ecodan system, and the LEDs will blink on the receiver for 3 seconds.
- ④ Place two AA alkaline batteries in the wireless remote controller.
(See "Batteries" in "4. Before Operation" in OM.)
- ⑤ Perform pairing process between the wireless receiver and the remote controller.
(See "5. Pairing process" in this manual.)

The wireless receiver does not go through a pairing process unless the ecodan system is off. When the system is ON, be sure to turn it off before beginning the pairing process.

- ⑥ Test wireless communication between the wireless remote controller and the wireless receiver.
(See "6.4 Communication Test" in "6. Setting wireless remote controllers" in this manual.)
- ⑦ Position the wireless remote controller in an appropriate place.
(See "4. Before Operation" in OM.)
- ⑧ To set the wireless remote controller as a room sensor that monitors room temperature, see "Main remote controller Options" in IM.

- ⑨ Use the main controller to set the ecodan system to the room temp. (🏠) mode.
 When the flow temp. (💧) mode or the compensation curve (📈) mode is selected, the wireless remote controller will operate as a thermostat. (See "Main remote controller" in IM.)

When the remote controller set as a room sensor runs out of battery or gets a communication error during room temp. mode, the room temp. mode will automatically switch to the compensation curve mode.
 The room temp. mode will be restored by battery replacement or solution of communication error.

Installation and setting of the wireless remote controller is complete. To set additional wireless remote controllers, repeat Step ④ to ⑦.

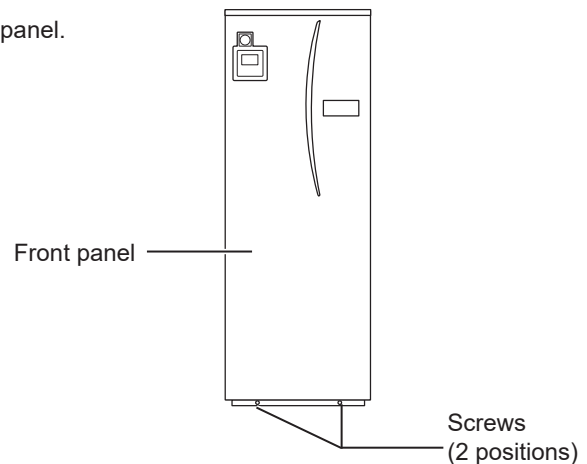
4. Installing wireless receiver

4.1 Connecting to Cylinder unit

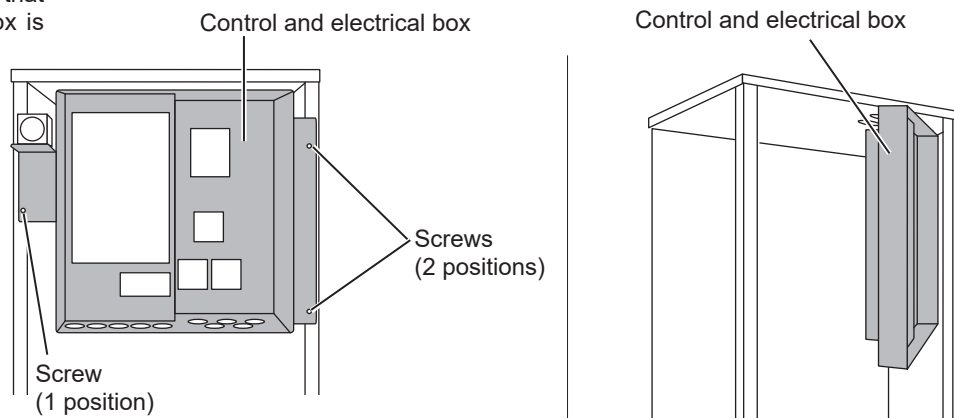
* Before installation, be sure to turn off the main power supply.

- ① Remove the two screws that hold the front panel, and remove the panel.

If the removed front panel is set aside away from the indoor unit, ensure the relay connector on Main remote controller is disconnected.

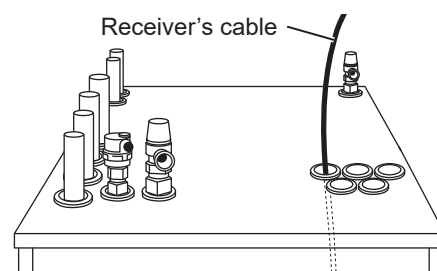


- ② Remove the screw and pull the control and electrical box so that the control and electrical box is swung toward you from left.

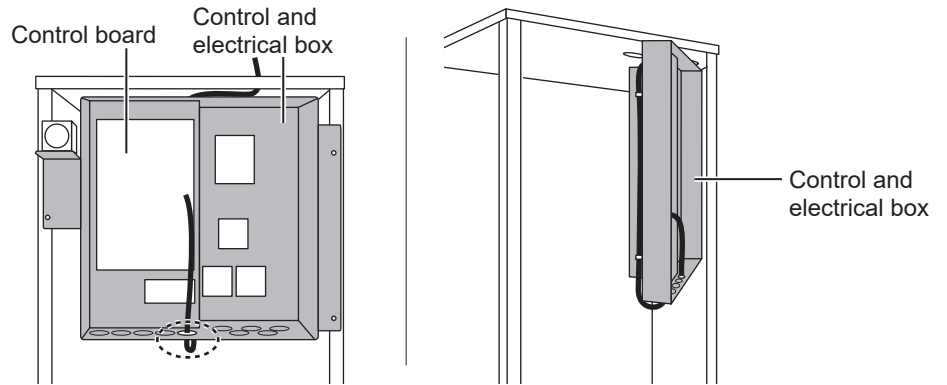


- ③ Run the receiver's cable into the cylinder unit through the inlet as shown on the figure.

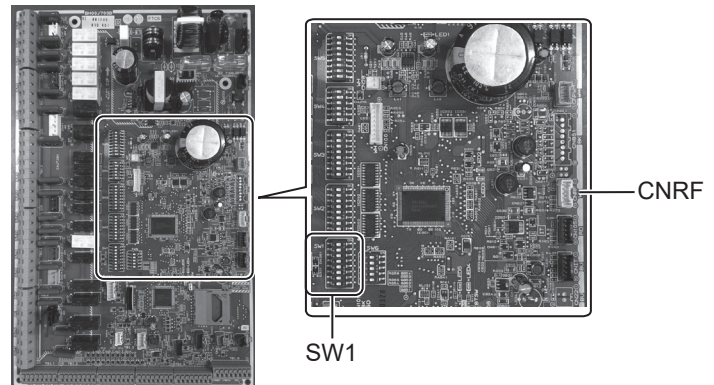
Do not run the receiver's cable through an inlet that a power cable goes through and do not bundle the cable together with a power cable.



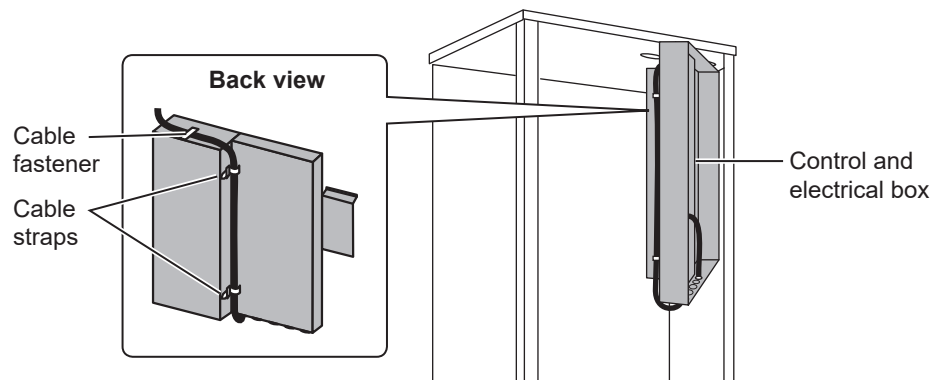
- ④ Route the cable out the back of the control and electrical box, and run the cable into the box through the shown inlet in the underside of the box.



- ⑤ Connect the cable connector to the CNRF terminal on the control board. Switch ON SW1-8.



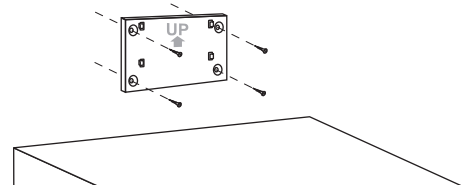
- ⑥ Remove excessive slack on the cable, then secure the cable with a cable fastener and 2 cable straps on the upper side and center on the back of control and electrical box.



- ⑦ Place the control and electrical box back in the original position and reinstall the 3 screws.

- ⑧ Check the maximum reach of the cable and install the bracket on the wall with screws.

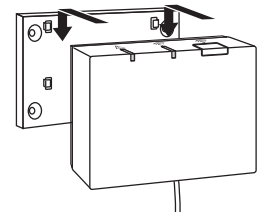
Do not excessively pull the cable when checking the maximum reach.



<Notice>

- **Do not overtighten the screws.**
 - ▶ The bracket may deform or break.
- **When installing the bracket, select an interference-free space.**
 - ▶ Keep the installing area at least 10 cm away from metal or a wall box. If unable to do so, always place the room wireless remote controllers in locations where the communication test determines that the wireless remote controllers are fully capable of communication with the wireless receiver.
- **Do not install the bracket with screws on the exterior casing of the cylinder unit.**
 - ▶ The internal parts may be damaged, which could result in breakdown of the indoor unit.
- **Do not install the bracket where the receiver could be exposed to moisture or leaked water from piping connections above.**
 - ▶ The wireless receiver subjected to moisture or leaked water could cause electric shock, fire, or its breakdown.

- ⑨ Place the wireless receiver on the fixed bracket.
Hook the holes on the back of the wireless receiver onto the projections on the bracket, and fix the wireless receiver in place.



<Notice>

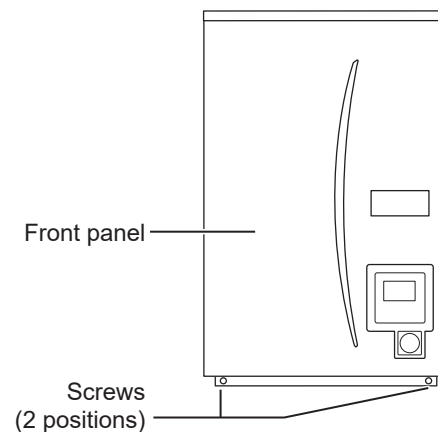
- **Do not place the wireless receiver inside the cylinder unit.**
 - ▶ Both the wireless receiver and its wire may break due to heat inside the indoor unit.
- **Do not let the wireless receiver stand on top of the cylinder unit. Always fix the wireless receiver onto the bracket.**
 - ▶ Wireless communication performance may be affected.
- **Do not pull the cable excessively.**
 - ▶ Breakdown, ignition, or fire may result.
- **Do not have the wireless receiver suspended.**
 - ▶ Breakdown, ignition, or fire may result.

- ⑩ Fix the front panel with screws.

4.2 Connecting to Hydrobox

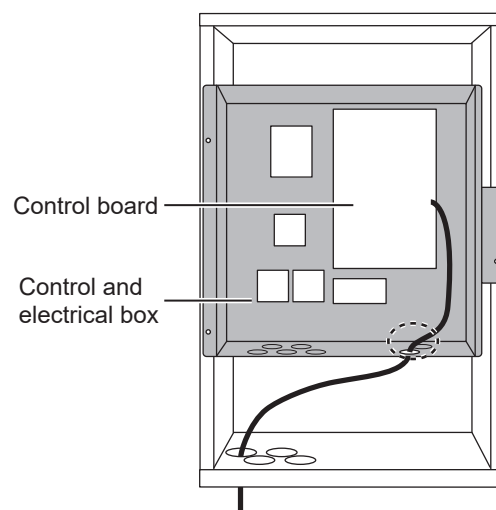
* Before installation, be sure to turn off the main power supply.

- ① Remove the two screws that hold the front panel, and remove the panel.

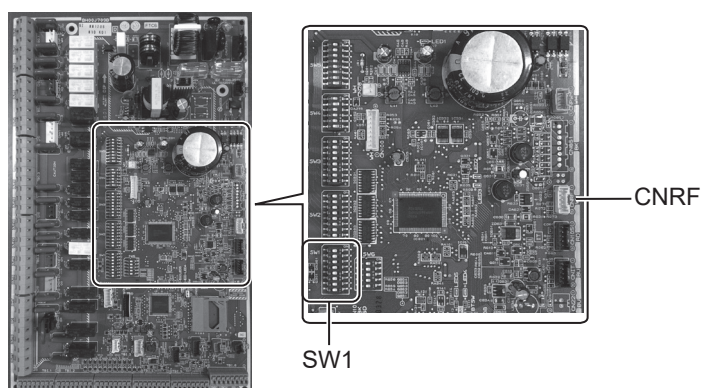


- ② Route the receiver's cable into the hydrobox through the leftmost inlet at the bottom of the unit. Then route into the control and electrical box through the shown inlet at the bottom of the control and electrical box.

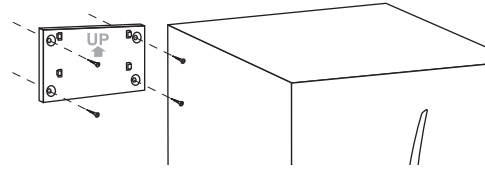
- Do not bundle the receiver cable with a power cable.
- Do not run the cable through an inlet that a power cable goes through.



- ③ Connect the cable connector to CNRF on the control board. Switch ON SW1-8.



- ④ Check the maximum reach of the cable and install the bracket with screws.



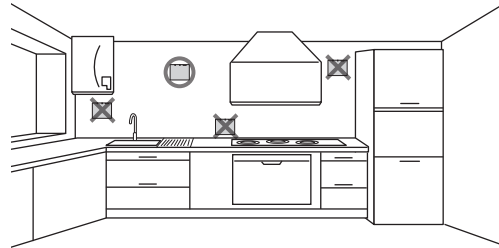
Do not excessively pull the cable when measuring the maximum reach.

<Notice>

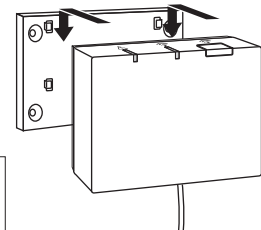
- **Do not overtighten the screws.**
 - ▶ The bracket may deform or break.
- **When installing the bracket, select an interference-free space.**
 - ▶ Keep the installing area at least 10 cm away from metal or a wall box. If unable to do so, always place the room wireless remote controllers in locations where the communication test determines that the wireless remote controllers are fully capable of communication with the wireless receiver.
- **Do not install the bracket with screws on the exterior casing of the cylinder unit.**
 - ▶ The internal parts may be damaged, which could result in breakdown of the indoor unit.
- **Do not install the bracket where the receiver could be exposed to moisture or leaked water from piping connections above.**
 - ▶ The wireless receiver subjected to moisture could cause electric shock, fire, or its breakdown.

When installing the wireless receiver, observe the following.

- Keep the other electric or electronic devices (e.g. radio, induction heating cooker, microwave oven, refrigerator, and mobile phone or the like) at least 50 cm away from the wireless receiver.
- Place the wireless receiver in an interference-free area and keep the wireless receiver away from metal.



- ⑤ Place the wireless receiver on the fixed bracket. Hook the holes on the back of the wireless receiver onto the projections on the bracket, and fix the wireless receiver.



<Notice>

- **Do not place the wireless receiver inside the hydrobox.**
 - ▶ Both the wireless receiver and its wire may break due to heat inside the indoor unit.
- **Do not pull the cable excessively.**
 - ▶ Breakdown, ignition, or fire may result.
- **Do not have the wireless receiver suspended.**
 - ▶ Breakdown, ignition, or fire may result.

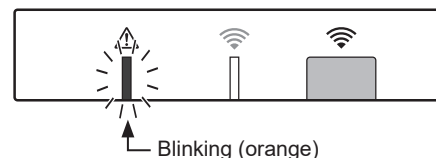
- ⑥ Hold the front panel with the screws.

5. Pairing process

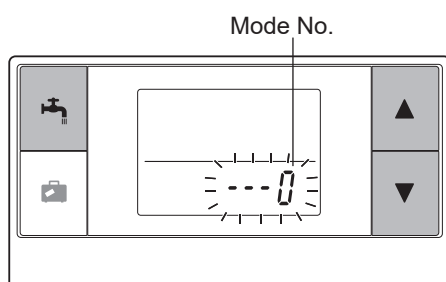
- If the wireless remote controller is not paired, the indoor unit cannot be operated using the remote controller.
- Before using the wireless remote controllers, always ensure to go through a pairing process.
- Pairing is NOT possible unless the ecodan system is off. When the ecodan system is ON, be sure to turn it off before starting the pairing process.
- The wireless receiver is also needed for pairing, so please make sure to operate the wireless remote controller near the wireless receiver.




① Hold down  button on the wireless receiver for 3 seconds or more until orange  LED blinks.

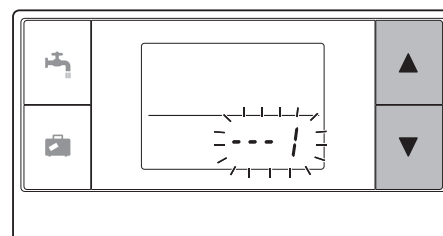
The pairing mode is cancelled by pressing  button.

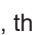



② Hold down , , and  buttons simultaneously for at







③ Press  or  button to set the mode number to "1" and press  button.

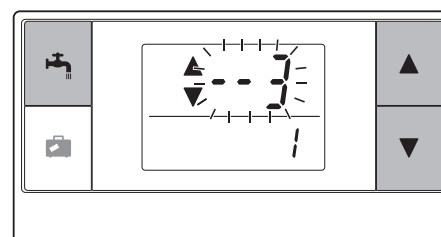
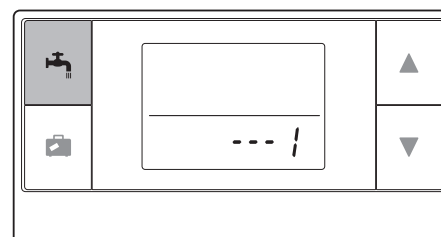


④ When  button is pressed in the middle of setting, the screen returns to the previous indication.


When  appears on the display, do not perform pairing. The power may be turned off in the middle of pairing, which may lose the pairing information.

⑤ Press  or  button to select a pairing address, and press  button to set the address.
" - " (no setting) is displayed initially. Choose a number from 1 to 8.

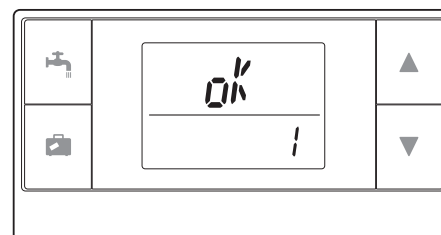
After pressing  button, the wireless remote controller starts communication with the wireless receiver.




When using multiple wireless remote controllers in one ecodan system, be sure to set different address for each remote controller.

⑥ When the pairing process has been successfully performed, "ok" is shown on the remote controller and green  LED steadily lights on the wireless receiver.

<Pairing is successful>





Blinking (orange) Lighting (green)

When "Err" appears on the remote controller and green  LED on the wireless receiver blinks, correctly repeat the same process from step 5.

Even if the pairing process failed, the wireless receiver stays in the pairing mode for 5 minutes unless cancelled.

<<Main causes that prevent successful pairing>>

- **The wireless receiver does not enter the pairing mode.**

- ▶ Press  button for 3 seconds or more until orange  LED blinks.
Make sure to turn off the ecodan system by main controller.

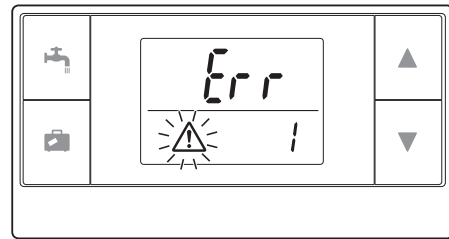
- **Pairing is attempted outside the transmission range of the wireless receiver.**

- ▶ Adjust the distance between the wireless receiver and remote controller, and so try again.
If the distance is excessively short, pairing may fail. Keep the distance of about 50 cm.

- **The wireless remote controller has been already paired with the wireless receiver.**

- ▶ The pairing address assigned to a wireless remote controller cannot be changed by remote controller. Use the wireless receiver to reset pairing information. (Refer to "(3) Resetting pairing information" in "7.3. Wireless Receiver Functions".)




<Pairing is unsuccessful>

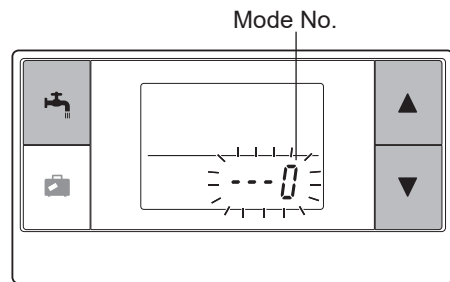



Blinking (orange) Blinking (green)

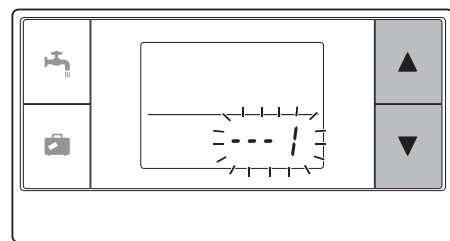
Even when power fails or when the batteries run down, the pairing information will be kept.


6. Setting wireless remote controllers


- ① Hold down ,  and  buttons simultaneously for at least 3 seconds until the mode number blinks.

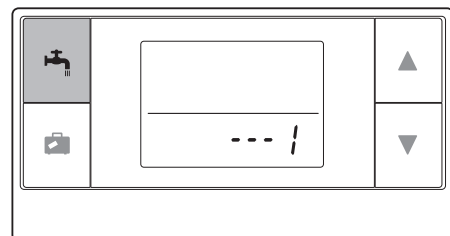


- ② Press  or  button to choose a mode number.



- ③ Confirm setting by pressing  button.
The display stops blinking and lights steadily.

When  button is pressed in the middle of setting, the screen returns to the previous indication.

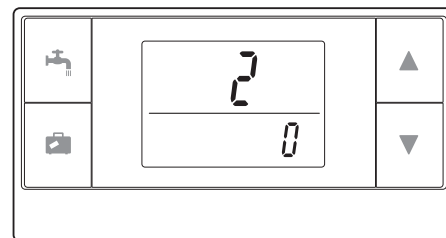


Mode No.	Names	Functions	Initial settings
0	Pairing address display	To view the own pairing address of the wireless remote controller.	
1	Pairing	To perform a pairing process with the wireless receiver.	
2	Temperature unit	To select °C or °F.	°C
3	Communication test	Communication test with the wireless receiver.	
4	Room temperature display	Actual room temperature display	OFF
5	Automatic zone no. display	To enable or disable automatic zone no. display.	OFF

6.1. Viewing Address Number (Mode No. 0)

Set the mode no. to "0".

The display to the right shows that the address is set to "2".




6.2. Pairing (Mode No. 1)

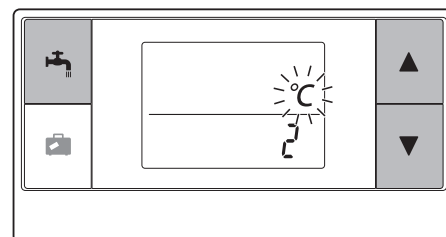
For details, refer to "6. Pairing process".

6.3. Selecting the temperature unit (Mode No. 2)

Set the mode no. to "2".

The temperature reading can be selected between Celsius (°C) or Fahrenheit (°F).

Press ▲ or ▼ button to select °C or °F and press  button to confirm the selection.



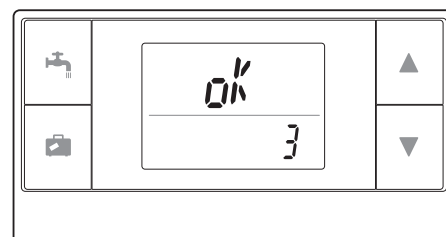
6.4. Communication test (Mode No. 3)

Set the mode no. to "3".

Communication test is performed between the wireless remote controller and the wireless receiver.

When the display shows "ok", this indicates that the communication between the remote controller and the receiver is established. If "Err" is shown, the wireless remote controller is not communicating with the wireless receiver.

Do not leave the wireless remote controller in a location where the communication test results in "Err".




Before conducting the communication test, ensure that the wireless remote controller goes through a pairing process.

6.5. Displaying or hiding room temperature (Mode No. 4)

Set the mode no. to "4".

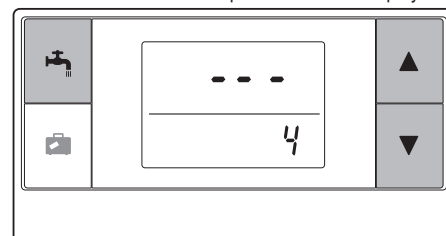
Select either displaying or hiding the room temperature.

Press ▲ or ▼ button to select displaying or hiding the room temperature, and press  button to save the setting.

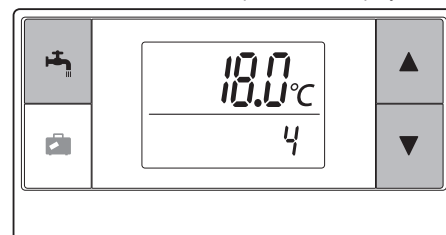
Hiding : " - - - ".

Displaying : Actual room temperature is displayed

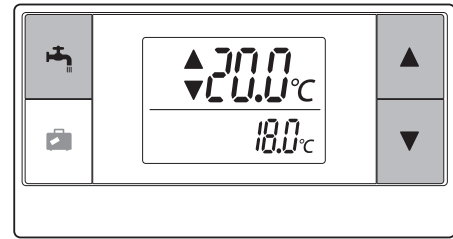
<When the actual room temperature is NOT displayed >



<When the actual room temperature is displayed >



When the indoor unit is operating, the room temperature display shows the actual room temperature (18°C) below and the set temperature (20°C) above as shown in the figure to the right. The measurable temperature range is from 0°C to 40°C.



If the measured room temperature is out of 0°C to 40°C range, the room temperature display blinks.

When the wireless remote controller is installed on a bracket, room temperature might not be accurate being affected by the wall temperature. Perform a test run and place the remote controller where the room temperature can be correctly detected.

6.6. Automatic zone No. display (Mode No. 5)

Set the mode no. to "5".

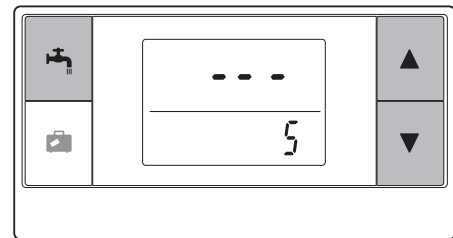
When the automatic zone no. display is active, a zone number assigned to the remote controller is displayed for 3 seconds after temperature setting.

Press or button to select between " - - - " and z_1 or z_2 , and press button to save setting.

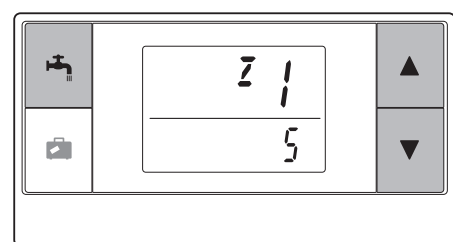
Inactive : " - - - ".

Active : The zone no. (z_1 or z_2) assigned to the remote controller is shown.

<Inactive>



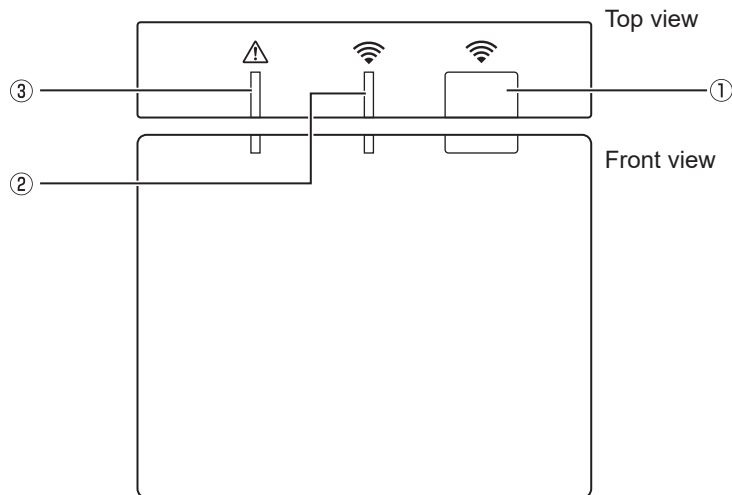
<Active>



7. Wireless receiver operation

The wireless receiver is powered by indoor unit. It communicates with the wireless remote controller(s), and transmits to the indoor unit the operation status and commands received from the wireless remote controller(s). The wireless receiver has two modes available: pairing mode and pairing reset mode.

7.1. Functions of buttons and displays





Number	Item	Description
①	Setting button	To switch operating mode.
②	Communication LED (green)	To indicate that the wireless receiver is communicating.
③	Operation LED (orange)	To show operating status of the wireless receiver.

The following table shows the operating and illuminating status of the LEDs.

Operation LED (orange)	Communication LED (green)	Description
Blinking	Blinking	Power is ON (for 3 seconds).
Off	Off	Normal mode: Not paired
Off	On	Normal mode: Paired
Off	Blinking	Normal mode: Communicating
Blinking	Off	Performing a pairing process
Blinking	On	Pairing: Successful
Blinking	Blinking	Pairing: Unsuccessful
On	On	Pairing information is cleared

7.2. Turning on power



When the wireless receiver is powered by indoor unit after installation, green  LED and orange  LED blink for 3 seconds.

Power ON



7.3. Wireless receiver functions

(1) Normal mode

When the wireless receiver is paired with a wireless remote controller, green  LED comes on. When the wireless receiver is communicating with a wireless remote controller, green  LED blinks.

Not paired



Paired



Transmitting






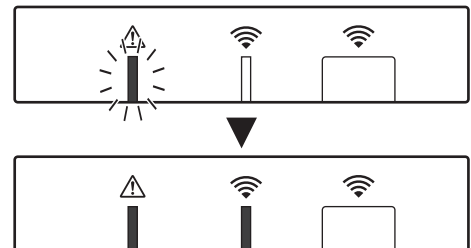
(2) Pairing mode

*For details, refer to "6. Pairing process" in this manual.

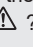
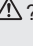
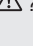

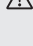
(3) Resetting pairing information

Once pairing information has been cleared, ALL the wireless remote controllers need go through a pairing process again.

Hold down  button for 5 seconds or more until  and  LED light while pairing mode is active. All the pairing information is cleared.



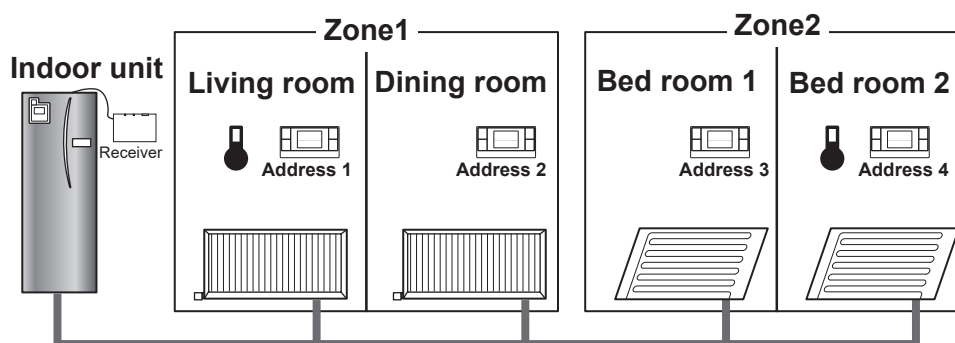
8. Q&A


Questions	Answers
How many wireless remote controllers are allowed to be paired?	Up to 8 controllers.
What should be noted about Pairing?	<ul style="list-style-type: none"> The same address cannot be assigned to multiple remote controllers If the same address is assigned to multiple controllers, the address can be assigned to only the last paired remote controller. Once the remote controller is paired, its pairing address cannot be changed by remote controller. Use the wireless receiver to reset pairing information.
What causes a communication error between the wireless remote controller and wireless receiver?	Check the following possible causes. <ul style="list-style-type: none"> The batteries on the wireless remote controller are running out. The transmitted signal does not reach the wireless receiver. The wireless remote controller is not paired.
What measures should be taken when the room temp. display indicates "1" with  ?	The indoor unit or outdoor unit has a failure. Refer to the indications on the main controller and take appropriate measures. Please also check installation and service manuals for the indoor unit.
What measures should be taken when the room temp. display indicates "2" with  ?	The thermistor inside the wireless remote controller has a failure. Check the resistance of the thermistor. (When the room temperature is between 0 and 40°C, the resistance must be between 5 and 28 kΩ.)
What measures should be taken when the room temp. display indicates "3" with  ?	A communication error occurs between the wireless remote controller and the wireless receiver. Check the following possible causes. <ul style="list-style-type: none"> The signal that is transmitted by the wireless remote controller does not reach the wireless receiver. The wireless remote controller is not paired.
What measures should be taken when the room temp. display indicates "4" with  ?	A communication error occurs between the wireless receiver and the indoor unit. Check the following possible causes. <ul style="list-style-type: none"> The cable connecting between the wireless receiver and the indoor unit has severed. The wireless receiver is not correctly connected to the indoor unit.
What measures should be taken when the room temp. display indicates "E" with  ?	Backup heater is running due to a failure of the indoor unit or the outdoor unit. Check the error code displayed on the main controller and take appropriate measures accordingly. The holiday mode is NOT available during backup heater only operation.

<<2-zone temperature control>>

- A thermistor is built in the remote controller (Room RC) or the main controller (Main RC), or TH1. The indoor unit refers to temperature monitored by a selected thermistor and controls temperature for each zone.
- For 2-zone temperature control, one room sensor can be selected for Zone1 and Zone2 separately. The room sensor is used for monitoring room temperature.
- The selection of room sensor can be fixed or changed according to time, using a schedule timer.

Note: Room sensor can be selected by main controller only.



When  is shown on the remote controller, this indicates that the remote controller is used for monitoring the room temperature. In this example, the living room temperature monitored by remote controller 1 is regarded as the room temperature for Zone1. The bed room 2 temperature monitored by remote controller 4 is regarded as the room temperature for Zone2.

9. Specifications

Item	Description
Power source	12V DC (powered by indoor unit)
Operating temperature and humidity requirements	Temperature: 0 to 40°C Humidity 30 to 90%RH (No condensation)
Weight	150 g (excluding a cable)
Dimension (W×H×D)	100 mm × 80 mm × 30 mm

■ Product fiche of temperature control

- (a) Supplier's name: MITSUBISHI ELECTRIC CORPORATION
- (b) Supplier's model identifier: PAR-WT50R-E and PAR-WR51R-E
- (c) The class of the temperature control: VI
- (d) The contribution of the temperature control to seasonal space heating energy efficiency: 4%



ATW/BTW UNIT OPTIONAL PARTS IMMERSION HEATER (1Ph 1/3kW) PAC-IH01V2-E / PAC-IH03V2-E

INSTALLATION MANUAL

- Before starting installation, read the following description together with the installation manual included with the ATW/BTW unit.
- Please read carefully and observe fully the following safety precautions.

⚠ WARNING Precaution that must be observed to prevent injuries or death.

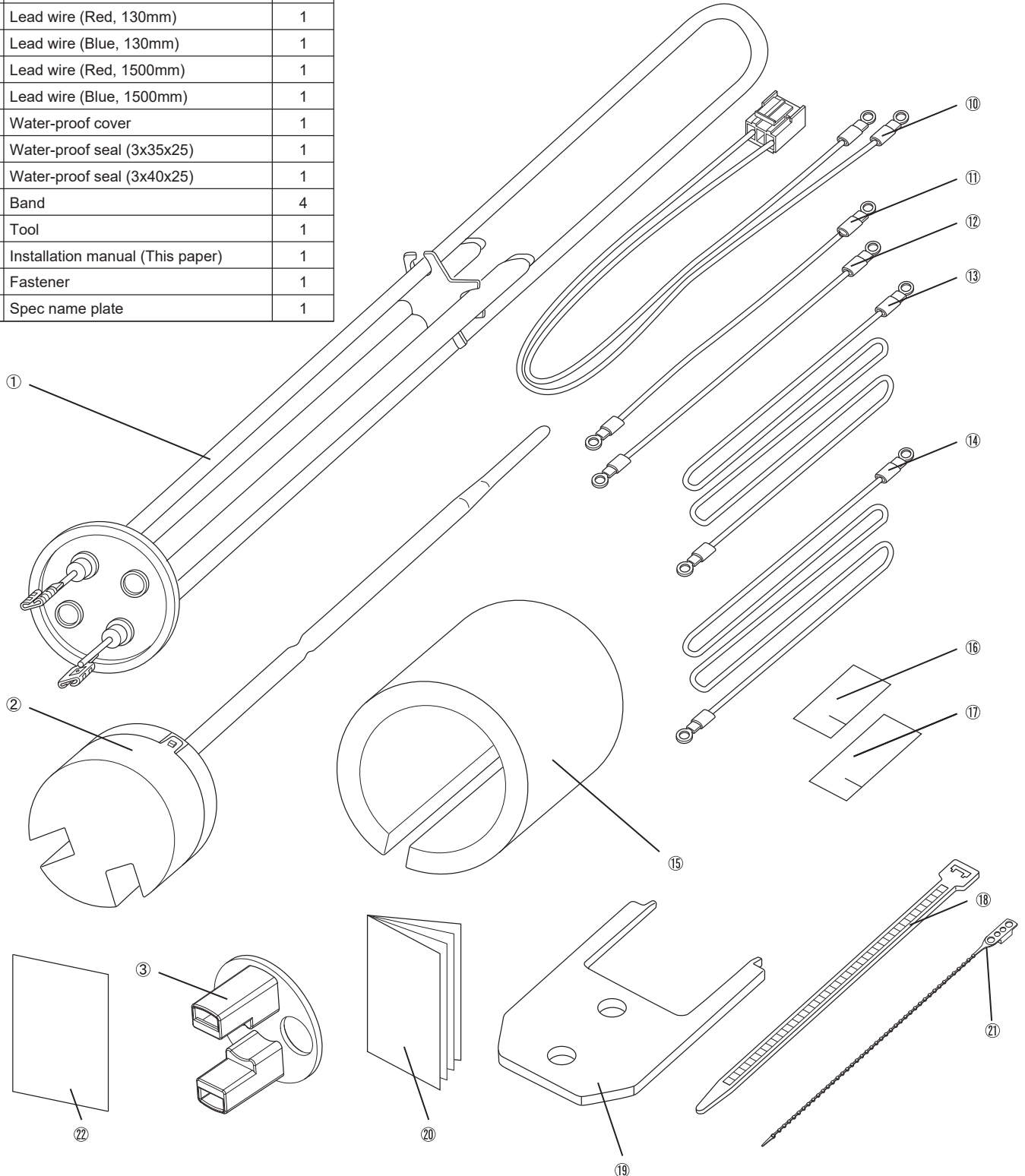
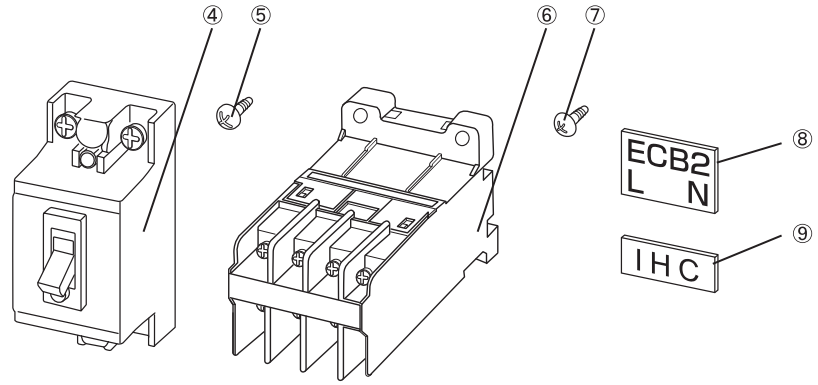
- After installation carry out a test run to ensure correct operation, then explain operation method and safety precautions to the end user.
Tell your customers to keep this installation manual together with the operation manual, and when they give or sell this machine to any other person include this installation manual and operation manual with it.

⚠ WARNING

- If the ATW/BTW unit has already been connected to the power supply ensure circuit breaker is off before carrying out electrical work.
- If the immersion heater is installed incorrectly or modified after installation by the user, water leakage, electric shock or fire may result.
- All electrical work should be performed by a qualified technician according to local regulations and the instructions given in this manual.
- The immersion heater must be powered by a dedicated power supply and the correct voltage and correctly sized circuit breakers must be used.
- Connections must be made securely and without tension on the terminals.
The included component parts of the PAC-IH01V2-E / PAC-IH03V2-E IMMERSION HEATER (1Ph 1/3kW) shall be used only for the purposes indicated in the installation manual.

Contents

	Item	Piece
①	Immersion heater	1
②	Thermostat (High limit thermal cut-out)	1
③	Tab cover	1
④	Earth leakage breaker	1
⑤	Screw (4×25)	2
⑥	Relay	1
⑦	Screw (4×16)	2
⑧	Label (for Earth leakage breaker)	1
⑨	Label (for Relay)	1
⑩	Lead wire with connector	1
⑪	Lead wire (Red, 130mm)	1
⑫	Lead wire (Blue, 130mm)	1
⑬	Lead wire (Red, 1500mm)	1
⑭	Lead wire (Blue, 1500mm)	1
⑮	Water-proof cover	1
⑯	Water-proof seal (3x35x25)	1
⑰	Water-proof seal (3x40x25)	1
⑱	Band	4
⑲	Tool	1
⑳	Installation manual (This paper)	1
㉑	Fastener	1
㉒	Spec name plate	1



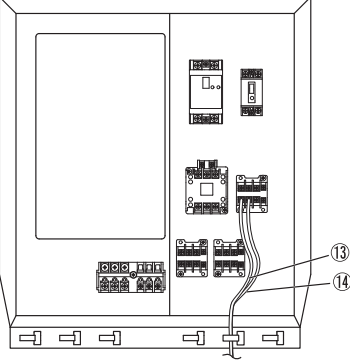
Optional parts

<ATW unit>

<p>1</p> <p>Refer to the installation manual of the ATW unit for the front panel removal.</p> <p>Disconnect the relay connector connecting from the main remote controller under the electrical box. Remove the front panel.</p>	<p>2</p> <p>Make sure that no water is in the tank before installing the immersion heater. Remove the back nut with the tool (19). Remove and dispose of the blanking plate and the gasket.</p> <p>Dispose of the blanking plate and the gasket.</p>	<p>3</p> <p>Adjust the position of the immersion heater so that the thermostat pockets are located at the upper right and lower left as shown in the figure. Fasten the back nut securely to prevent water leakage. (Recommended torque = 10 N•m)</p>
<p>4</p> <p>Attach the tab cover (3) to the immersion heater. Insert the thermostat into the upper right thermostat pocket. Position the terminals on the thermostat head at the bottom as shown in the figure.</p> <p>Assemble 2 and 3 securely.</p>	<p>5</p> <p>Fasten the earth leakage breaker and the relay on the electrical box as shown in the figure.</p> <p>Screw positions</p> <p>Recommended torque = 1.5 N•m</p>	<p>6</p> <p>Attach the label (8) on the electrical box. Place it above the earth leakage breaker (4) and align the vertical centers as shown in the figure.</p> <p>Attach the label (9) on the electrical box. Place it above the relay (6) and align the vertical centers as shown in the figure.</p>
<p>7</p> <p>Connector CNIH</p>	<p>8</p> <p>Recommended torque = 1 N•m</p>	<p>9</p> <p>Recommended torque = 1.5 N•m</p>

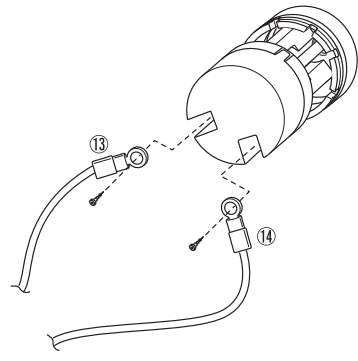
Optional parts

10



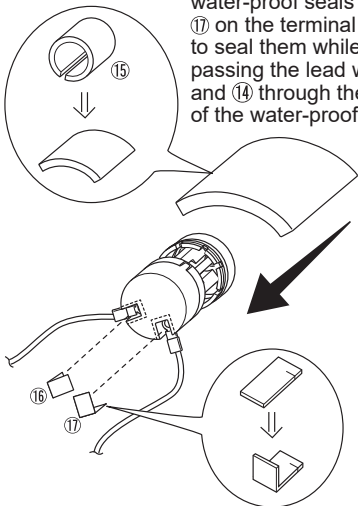
Do not bundle the lead wires (13) and (14) together with the low voltage wires, such as the main remote controller wires.

11



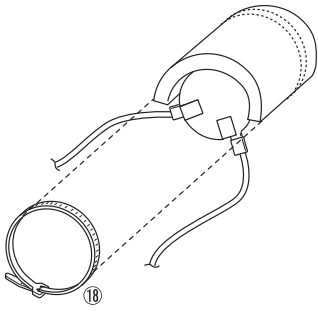
Recommended torque = 1.2 N·m

12



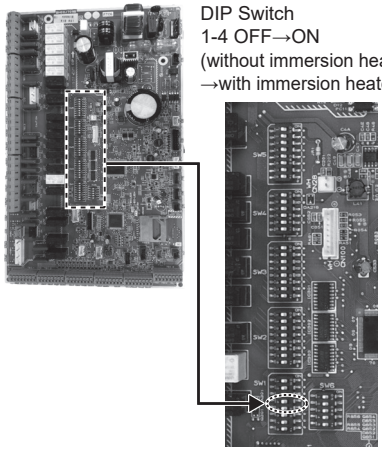
Attach the water-proof cover (15) as shown in the figure. Attach the water-proof seals (16) and (17) on the terminal screws to seal them while passing the lead wires (13) and (14) through the slits of the water-proof seals.

13



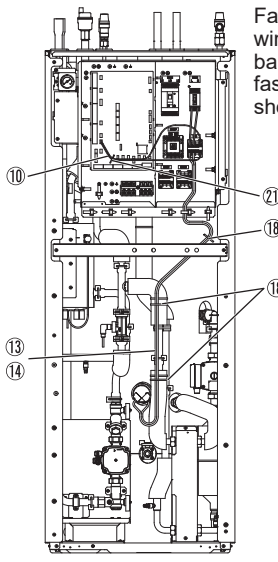
Fasten the water-proof cover (15) to the boss of the cylinder unit with the band (18).

14



DIP Switch
1-4 OFF→ON
(without immersion heater
→with immersion heater)

15



Fasten the lead wires with the bands (18) and the fastener (21) as shown in the figure.

Fix it to the other wires.

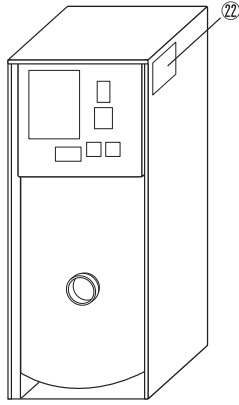
Fix it to the pipe covers.

16

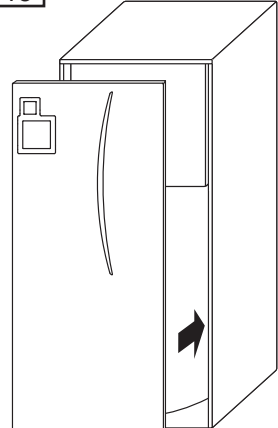
For details of wiring to the earth leakage breaker, refer to the installation manual and the wiring diagram of the ATW unit. Fill the tank with water and make sure that no water leaks around the immersion heater.

17

Attach the label (22). Do not cover or overlap the other labels.



18

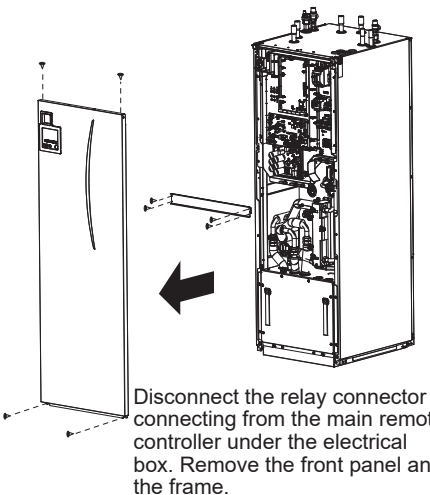
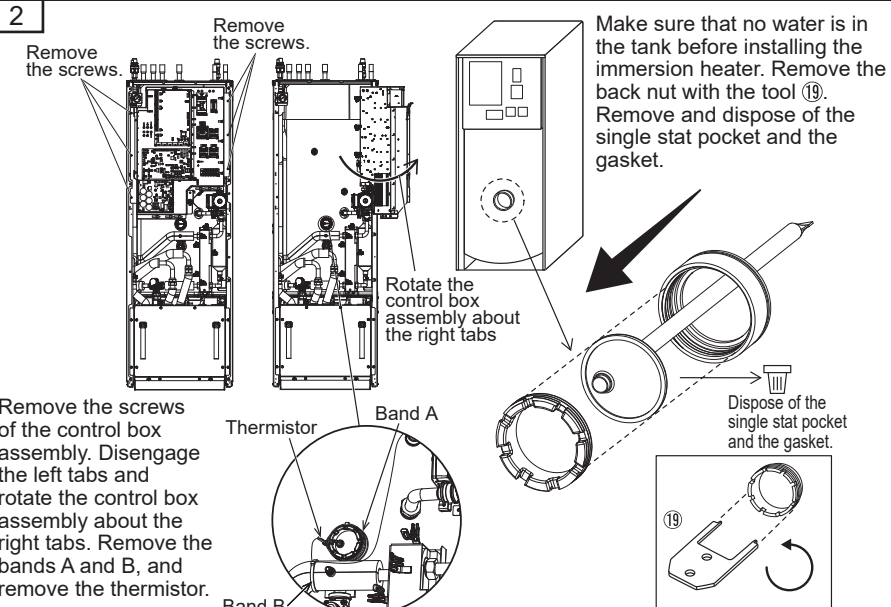
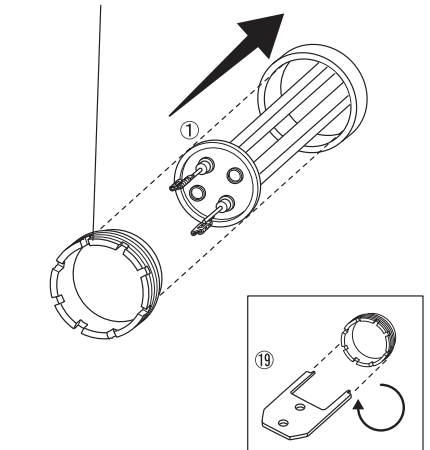
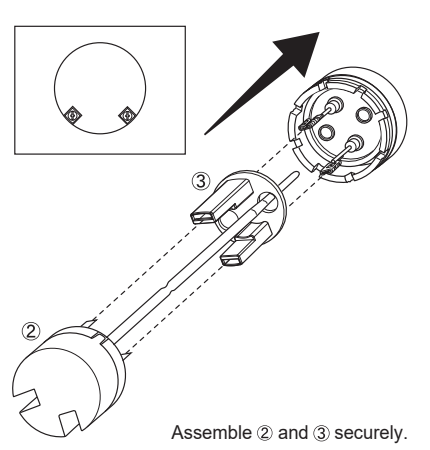
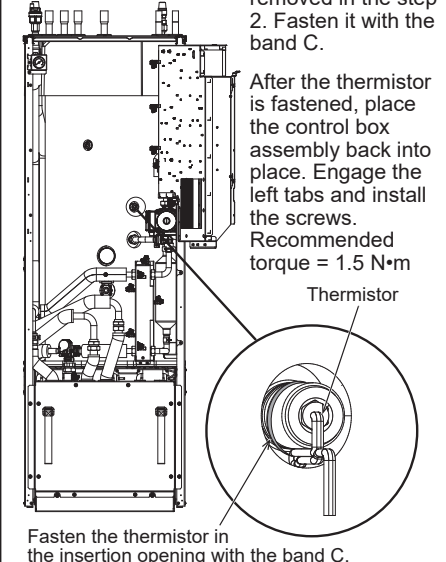
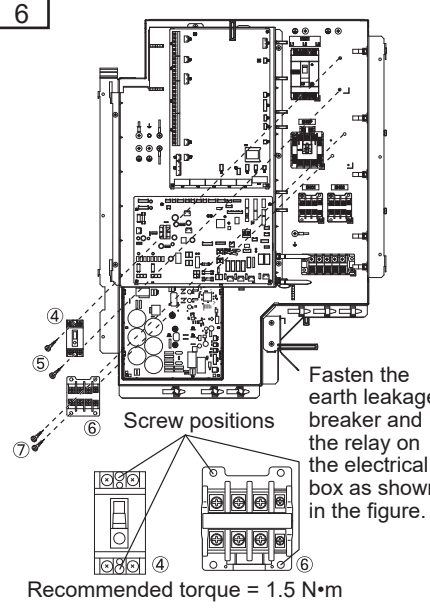
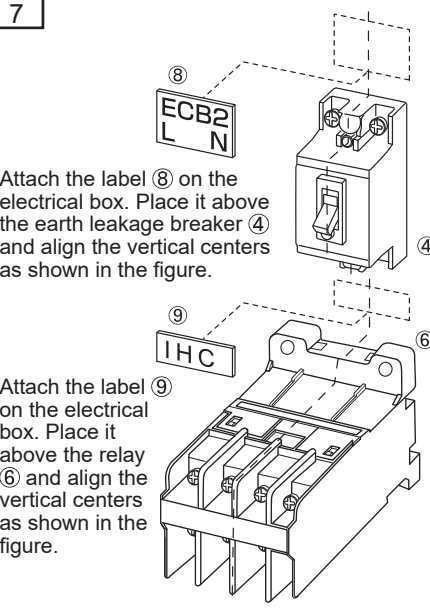
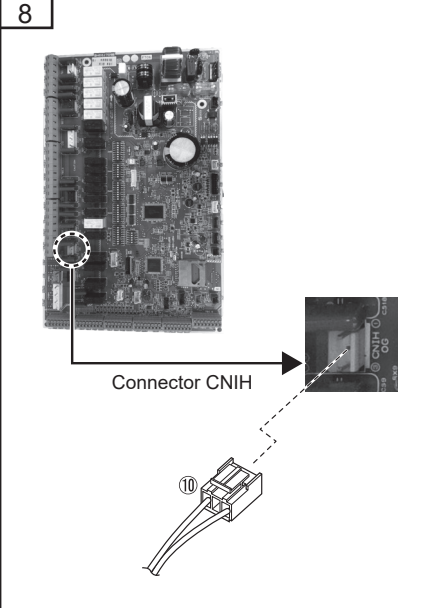


Refer to the installation manual of the ATW unit for the front panel installation.

Connect the relay connector of the main remote controller wires under the electrical box before installing the front panel.

Optional parts

<BTW unit>

<p>1</p> <p>Refer to the installation manual of the BTW unit for the front panel removal.</p>  <p>Disconnect the relay connector connecting from the main remote controller under the electrical box. Remove the front panel and the frame.</p>	<p>2</p> <p>Remove the screws.</p> <p>Remove the screws.</p> <p>Remove the screws of the control box assembly. Disengage the left tabs and rotate the control box assembly about the right tabs. Remove the bands A and B, and remove the thermistor.</p> <p>Rotate the control box assembly about the right tabs</p> <p>Band A</p> <p>Thermistor</p> <p>Band B</p> <p>Make sure that no water is in the tank before installing the immersion heater. Remove the back nut with the tool (19). Remove and dispose of the single stat pocket and the gasket.</p> <p>Dispose of the single stat pocket and the gasket.</p> 	
<p>3</p> <p>Adjust the position of the immersion heater so that the thermostat pockets are located at the upper right and lower left as shown in the figure. Fasten the back nut securely to prevent water leakage. (Recommended torque = 10 N•m)</p> 	<p>4</p> <p>Attach the tab cover (3) to the immersion heater. Insert the thermostat into the upper right thermostat pocket. Position the terminals on the thermostat head at the bottom as shown in the figure.</p>  <p>Assemble (2) and (3) securely.</p>	<p>5</p> <p>Mount the thermistor removed in the step 2. Fasten it with the band C.</p> <p>After the thermistor is fastened, place the control box assembly back into place. Engage the left tabs and install the screws. Recommended torque = 1.5 N•m</p> <p>Thermistor</p> <p>Fasten the thermistor in the insertion opening with the band C.</p> 
<p>6</p>  <p>Fasten the earth leakage breaker and the relay on the electrical box as shown in the figure.</p> <p>Screw positions</p> <p>Recommended torque = 1.5 N•m</p>	<p>7</p> <p>Attach the label (8) on the electrical box. Place it above the earth leakage breaker (4) and align the vertical centers as shown in the figure.</p> <p>Attach the label (9) on the electrical box. Place it above the relay (6) and align the vertical centers as shown in the figure.</p> <p>ECB2 L N</p> <p>IHC</p> 	<p>8</p>  <p>Connector CNIH</p>

Optional parts

<p>9</p> <p>Recommended torque = 1 N·m</p>	<p>10</p> <p>Recommended torque = 1.5 N·m</p>	<p>11</p> <p>②1 Fix it to the wires</p> <p>Fasten the lead wire.</p> <p>To immersion heater</p>
<p>12</p> <p>Recommended torque = 1.2 N·m</p> <p>Attach the water-proof cover ⑮ as shown in the figure. Attach the water-proof seals ⑯ and ⑰ on the terminal screws to seal them while passing the lead wires ⑬ and ⑭ through the slits of the water-proof seals.</p>	<p>13</p> <p>Fasten the water-proof cover ⑮ to the boss of the cylinder unit with the band ⑱.</p>	<p>14</p> <p>DIP Switch 1-4 OFF→ON (without immersion heater →with immersion heater)</p>
<p>15</p> <p>For details of wiring to the earth leakage breaker, refer to the installation manual and the wiring diagram of the BTW unit. Fill the tank with water and make sure that no water leaks around the immersion heater.</p>	<p>16</p> <p>Attach the label ⑳. Do not cover or overlap the other labels.</p>	<p>17</p> <p>Assemble in the reverse order of the step 1. Recommended torque for the frame = 1.5 N·m Recommended torque for the front panel = 3 N·m</p> <p>Connect the relay connector of the main remote controller wires under the electrical box before installing the front panel.</p>

Optional parts



CYLINDER UNIT OPTIONAL PARTS

EHPT ACCESSORIES for UK

PAC-WK02UK-E

INSTALLATION MANUAL

- Before starting installation, read the following description together with the installation manual included with the cylinder unit.
- Please read carefully and observe fully the following safety precautions.

⚠ WARNING Precautions that must be observed to prevent injuries or death.

- After installation carry out a test run to ensure correct operation, then explain operation method and safety precautions to the end user.

Tell your customers to keep this installation manual together with the operation manual, and when they give or sell this machine to any other person include this installation manual and operation manual with it.

⚠ WARNING

- Before installing any accessories on the cylinder unit ensure the unit is isolated from the power supply.
- Connections must be made securely and without tension on the terminals.
The included component parts of the PAC-WK01UK-E EHPT ACCESSORIES for UK shall be used only for the purposes indicated in the installation manual.

Optional parts

In addition to annual servicing it is necessary to replace or inspect the ICG after a certain period of system operation. Please see table below for detailed instructions. Replacement and inspection of the ICG should always be done by a competent person with relevant training and qualifications.

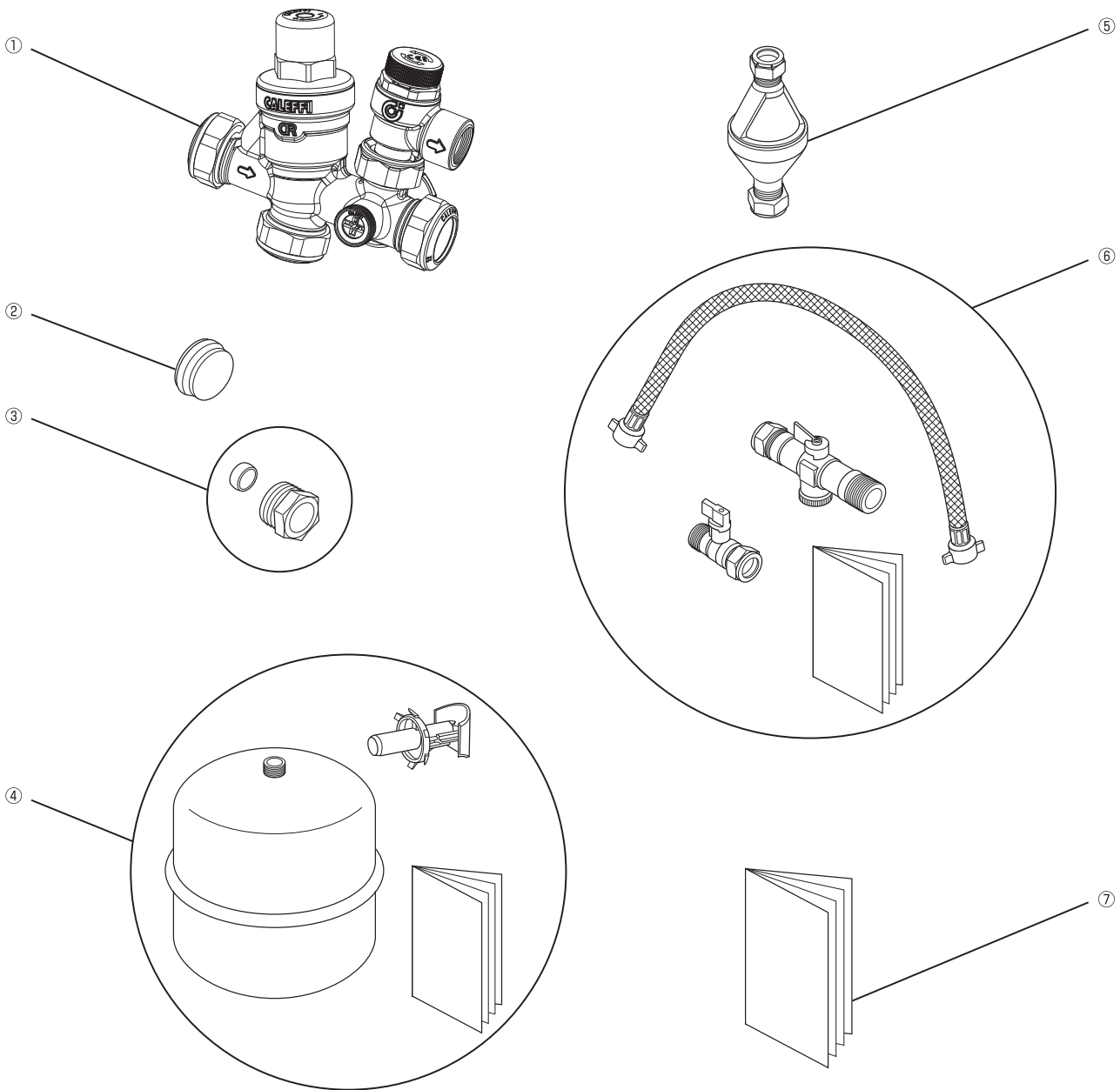
Part which requires regular replacement

Part	Replace every	Possible failures
Inlet control group (ICG)	6 years	Water leakage due to brass corrosion (Dezincification)

Contents

	Item	Piece(s)
①	Unvented inlet control group (Pressure reducing valve/strainer/check valves/expansion relief valve).	1
②	Blanking cap (22mm)	1
③	Nipple & Olive (15mm)	1
④	Expansion vessel 18L (R3/4")	1
⑤	Tundish (15mm, 22mm)	2
⑥	Filling loop (15mm)	1
⑦	Installation manual	1

The parts ① to ⑤ are provided to meet the requirements for the UK Building Regulation G3.
 The parts ② and ③ are accessory parts for the unvented inlet control group.
 The pressure reducing valve is factory set at 3.5 bar and the expansion relief valve at 6.0 bar.
 The gas charge pressure for the expansion vessel is 3.5 bar.

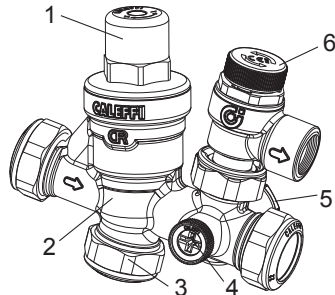


Optional parts

Installation

Carefully follow these instructions and ensure that the installation conforms to UK Building Regulation G3 and the Water Supply Regulations.

Unvented inlet control group (ICG)



Item	Component
1	Pressure reducing valve
2	Manifold block (Including check valve)
3	22mm balanced cold water take-off
4	Pressure gauge port
5	3/4" connection for exp.vessel
6	Expansion relief valve

It is recommended that isolating valves are installed upstream and downstream to facilitate any future maintenance. For safety reasons, it is essential that no isolation valve is fitted between the ICG and the cold water inlet connection of the cylinder. Install the pressure reducing valve with its embossed arrow pointing in the direction of flow. Ensure the expansion relief valve is seated correctly into the main block/ casting and its nut is fully tightened to secure its position. Ensure that the expansion relief valve discharge pipework has a continuous fall and terminates via a tundish and in such a position as not to cause injury. The first 22mm connection (Item 3 above) can be used to provide an unbalanced cold water supply. It must never be used to connect the expansion vessel. If not used, use the blanking cap (22mm) supplied. The small black plug is a connection prepared for a pressure gauge, which is available when specified. On the opposite side of the manifold to the pressure gauge connection, there is a 3/4" plastic plugged connection that may be used for direct mounting to the expansion vessel if required.

Expansion vessel

Install the expansion vessel between the pressure reducing valve and the cylinder unit or by using the appropriate port of the ICG. (Ensure the expansion vessel is connected to an active section of the potable pipework and is NOT directly connected to any redundant "Dead-leg" section of pipework.)

Note:

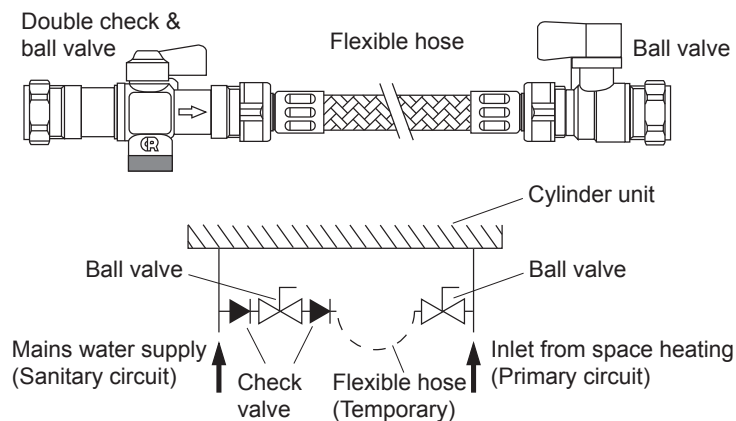
- When connecting the ICG to the expansion vessel using a field-supplied flexible hose, provide sufficient bending radius to prevent abnormal noise.
- For more details about the following instructions, refer to the installation manual provided with the potable expansion vessel, as well as this manual.
 - If the expansion vessel is installed separately to the ICG (ie. direct in-line) then the supplied flow diverter can be used.
 - ICG should always be installed on cold water supply to cylinder to comply with WRAS/Building Regulation G3.
 - The ICG. should be installed above the level of the T&P valve. This will avoid the requirement to drain cylinder when servicing the ICG in future.
 - Expansion vessel should be installed hanging from connecting pipework.
 - Expansion vessel should be fastened to a suitable surface (wall etc.) to prevent strain on pipe connection.
 - Gas inlet screw type of expansion vessel: 8V1

Tundish

Install the tundishes in accordance with the UK Building Regulation G3. For more details refer to the "Safety Device Discharge Arrangements" section in the installation manual for the cylinder unit .

Filling loop

Note: Refer to the installation manual provided with the filling loop as well.



Optional parts

The procedure and recommendations specified in the cylinder unit installation manual for filling and pressurising the primary heating circuit of the cylinder unit must be followed.

The heating return pipe and the cold water supply pipe must be provided with tees with a short length of R250 (half hard) copper tube in the side port.

Fit the double check valve to the pipe from the mains supply pipe using the compression joint, which complies with BS EN 1252-2, ensuring that the flow through the valve is in the same direction as the arrow on the body.

Fit the ball valve to the pipe from the heating return using the compression joint.

Connect the flexible hose between the double check valve and ball valve and tighten the wing nuts to make water tight joints.

Open both ball valves and fill the system, when the pressure starts to increase on the cylinder unit pressure gauge partially close the ball valve on the double check valve to control the pressure to that specified by the cylinder unit installation manual.

Once filling and pressurisation have been completed, close both ball valves and remove the flexible hose.

If the flexible hose is removed it is recommended that caps (not supplied) are fitted to both valve connections to prevent any potential leakage.

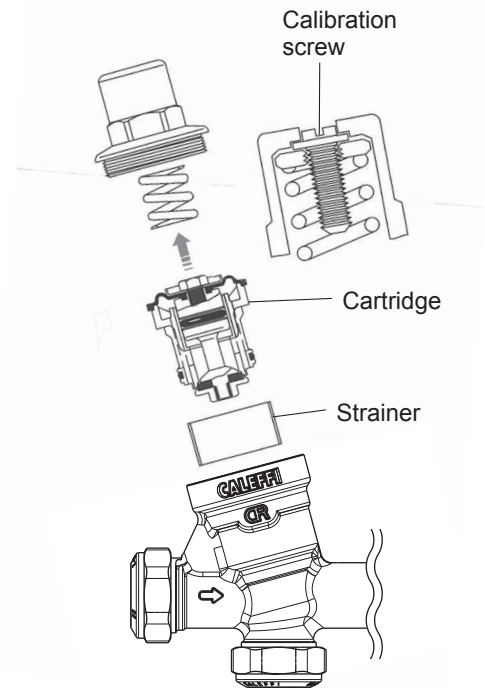
Maintenance and service

Pressure reducing valve

Under normal circumstances the pressure reducing valve should not require any maintenance, but regular inspection and cleaning is recommended.

If the strainer or cartridge are damaged replace entire valve.

1. Isolate the water supply to the pressure reducing valve.
 2. Unscrew anticlockwise the central calibration screw to decompress the spring.
 3. Remove the plastic cover using a spanner on the hexagon faces.
 4. Extract the cartridge with the aid of long nosed pliers to grip the head of the set screw.
 5. Remove the strainer element.
- *If the strainer or cartridge are damaged replace item(s) accordingly.
6. Clean the strainer element and cartridge under clean running water.
 7. Replace the strainer, cartridge and cover.
 8. Turn on the water supply and check for leakage.
 9. Re-calibrate the pressure reducing valve. (Rotate it clockwise to increase the outlet pressure and anticlockwise to reduce it.)



Expansion relief valve

Manually operate (rotate head anti-clockwise) the expansion relief valve to ensure free water flow through discharge port and connecting pipe.

Expansion vessel

The pre-charge gas pressure must be checked annually to make sure that the expansion vessel is in working order.

If water discharges through the expansion relief valve, it is possible that the expansion vessel's existing gas pre-charge pressure is too low.

Check this in the following manner:

1. Close the water supply.
2. Drain the sanitary circuit until the pressure is 0 bar.
3. Check the pre-charge.
4. Increase the gas pre-charge pressure with nitrogen/air to 3.5 bar.

Make sure that the pre-charge is not higher than the maximum working pressure.

If the expansion vessel cannot be pressurized, it is possible that the membrane has a leak.

If so, you must then replace the expansion vessel.



PARTS NAME : HIGH TEMP. THERMISTOR

PARTS No. : PAC-TH012HT-E

SALES MODEL CODE : 7H1THR7

MITSUBISHI ELECTRIC CORPORATION

INSTALLATION MANUAL

- Before starting installation, read the following description together with the installation manual included with the unit.
- Please read carefully and observe fully the following safety precautions.

⚠ WARNING Precautions that must be observed to prevent injuries or death.

- After installation carry out a test run to ensure correct operation, then explain operation method and safety precautions to the end user. Tell your customers to keep this installation manual together with the operation manual, and when they give or sell this machine to any other person include this installation manual and operation manual with it.

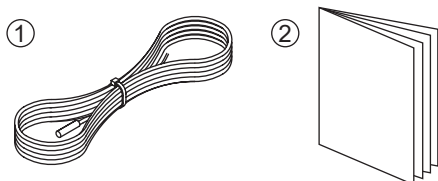
⚠ WARNING

- Before installing any accessories on the unit ensure the unit is isolated from the power supply.
- Connections must be made securely and without tension on the terminals.
- All electrical work should be performed by a qualified technician according to local regulations and the instructions given in this manual.
- The flow temperature from boiler MUST NOT exceed 70 °C (*1).
- Before running Floor Dry-up function, disconnect IN4, IN5, IN11 and IN12 wirings. (*2)

*1 When the temperature sensed by flow temp. thermistor or return temp. thermistor exceeds 80°C, FTC will detect it as overheat error.
*2 High-temperature water produced by boiler operation could flow in and this could cause a big damage to the floor.

- Make sure to install the boiler that has overheat protection and output flow temperature control.

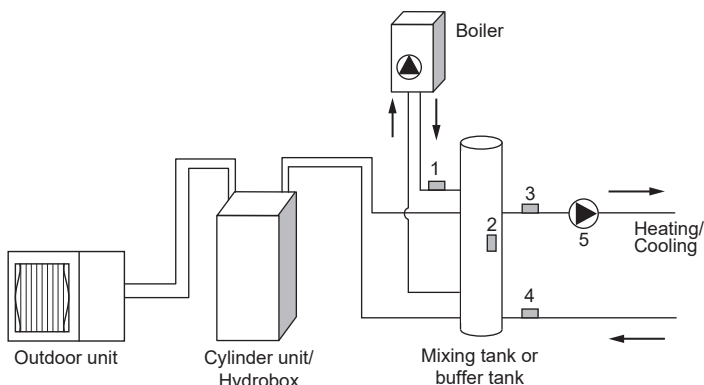
<Included items>



	Item	Piece
①	High temp. thermistor 5 m, color: black	1
②	Installation manual	1

■ Local system

The high temp. thermistor is used as the boiler flow temp. thermistor (THWB1) or the mixing tank temp. thermistor (THW10).



Number	Component
1	Boiler flow temp. thermistor (THWB1)
2	Mixing tank temp. thermistor (THW10)
3	Flow temp. thermistor (THW6) (option)
4	Return temp. thermistor (THW7) (option)
5	Circulation pump (local supply)

Optional parts

1. Boiler operation

FTC can control boiler only in space heating mode.

When boiler is running, the heating operation is regulated by the room thermostat connected to FTC.

IMPORTANT NOTE: Be sure to connect room thermostat to FTC.

1.1 Wiring for boiler control

<Thermistor inputs>

Name	Terminal block	Item	Optional part model
THW6	TBI.5 7-8	Thermistor (Zone1 flow water temp.) (Option)	PAC-TH011-E
THW7	TBI.5 5-6	Thermistor (Zone1 return water temp.) (Option)	
THWB1	TBI.6 7-8	Thermistor (Boiler flow water temp.)	PAC-TH012HT-E

<Outputs>

Connect OUT10 to boiler external input (Room thermostat).

Name	Terminal block	Item	OFF	ON	Signal/Max current
OUT10	TBO.3 1-2	Boiler output	OFF	ON	non-voltage contact • 220 - 240V AC (30V DC) 0.5 A or less • 10 mA 5V DC or more

Note: • OUT10 is separated by basic insulation from other external output signals in FTC.

- Connect the surge absorber according to the load at site.
- When the wires are wired to adjacent terminals, use ring terminals and insulate the wires.
- Do not splice the wiring to extend or shorten it, or this could affect correct monitoring of each temperature. If the wiring is too long, bundle it with a strap to adjust the length.

1.2 Dip switch setting

Set Dip SW1-1 and SW2-6 to ON .

Dip switch	Function	OFF	ON
SW1-1	Boiler	WITHOUT Boiler	WITH Boiler
SW2-6	Mixing tank	WITHOUT Mixing tank	WITH Mixing tank

1.3 Main controller setting

<Service menu> → "Heat source setting"
 → "Operation settings" → "Boiler operation"

	Menu	Description
Heat source setting	Hybrid	Automatically switch "Heat pump" and "Boiler".
Hybrid settings	Outdoor ambient temp.	Set the ambient temperature to switch to Boiler operation.
	Priority mode	Set which one to prioritize (Ambient or Cost or CO ₂).
	Outdoor ambient temp. rise	Difference in temperature to switch to Heat pump operation.
Intelligent settings	Energy price	Enter unit prices of electricity, and gas or oil (depending on boiler type) per 1 kWh.
	CO ₂ emission	Enter CO ₂ emission amount from electricity or boiler (gas or oil).
	Heat source	Enter outdoor unit capacity, electric heater capacity, and boiler efficiency.

2. Buffer tank control

Buffer tank control operates when heating (or cooling) function is active in the smart grid ready*.

* Refer to the installation manual of indoor unit.

2.1 Wiring for buffer tank control

<Thermistor inputs>

Name	Terminal block	Item	Optional part model
THW6	TBI.5 7-8	Thermistor (Zone1 flow water temp.) (Option)	PAC-TH011-E
THW7	TBI.5 5-6	Thermistor (Zone1 return water temp.) (Option)	
THW10	TBI.6 5-6	Thermistor (Mixing tank water temp.)	PAC-TH012HT-E

<Signal inputs>

Name	Terminal block	Item	OFF (open)		ON (short)
			IN11	IN12	Meaning
IN11	TBI.3 3-4	Smart grid ready input	OFF (open)	OFF (open)	Normal operation
			ON (short)	OFF (open)	Switch-on recommendation
OFF (open)	ON (short)		Switch-off command		
ON (short)	ON (short)		Switch-on command		
IN12	TBI.3 1-2				





2.2 Dip switch setting

Set Dip SW2-6 to ON.

Dip switch	Function	OFF	ON
SW2-6	Mixing tank	WITHOUT Mixing tank	WITH Mixing tank

2.3 Main controller setting

<Service menu> → "Operation settings" → "Smart grid ready"

Name		Description
Heating	Target temp.	 Target temp. of "Switch-on recommendation".
		 Target temp. of "Switch-on command".
Cooling	Target temp.	 Target temp. of "Switch-on recommendation".
		 Target temp. of "Switch-on command".
Pump cycles	On/Off	When set to "On", the water circulation pump is operated intermittently according to the heat storage temp. of the buffer tank.
	Interval	Re-judgment of the pump on/off time.



PARTS NAME : HIGH TEMP. THERMISTOR

PARTS No. : PAC-TH012HTL-E

SALES MODEL CODE : 7H1THR8

MITSUBISHI ELECTRIC CORPORATION

INSTALLATION MANUAL

- Before starting installation, read the following description together with the installation manual included with the unit.
- Please read carefully and observe fully the following safety precautions.

⚠ WARNING Precautions that must be observed to prevent injuries or death.

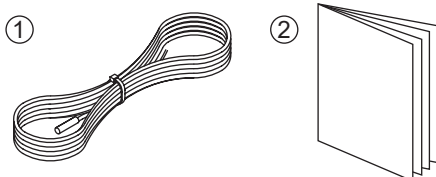
- After installation carry out a test run to ensure correct operation, then explain operation method and safety precautions to the end user. Tell your customers to keep this installation manual together with the operation manual, and when they give or sell this machine to any other person include this installation manual and operation manual with it.

⚠ WARNING

- Before installing any accessories on the unit ensure the unit is isolated from the power supply.
- Connections must be made securely and without tension on the terminals.
- All electrical work should be performed by a qualified technician according to local regulations and the instructions given in this manual.
- The flow temperature from boiler MUST NOT exceed 70 °C (*1).
- Before running Floor Dry-up function, disconnect IN4, IN5, IN11 and IN12 wirings. (*2)
- *1 When the temperature sensed by flow temp. thermistor or return temp. thermistor exceeds 80°C, FTC will detect it as overheat error.
- *2 High-temperature water produced by boiler operation could flow in and this could cause a big damage to the floor.
- Make sure to install the boiler that has overheat protection and output flow temperature control.

Optional parts

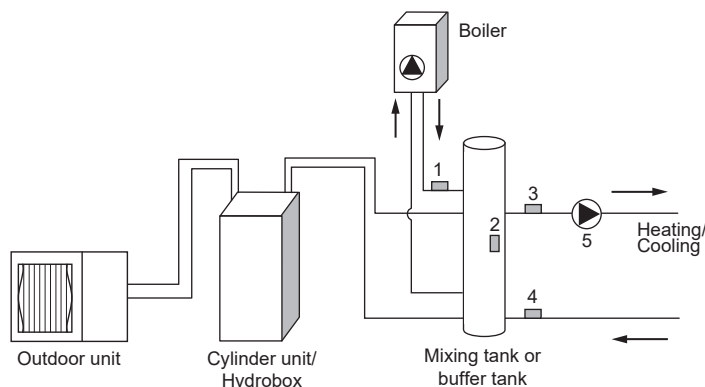
<Included items>



	Item	Piece
①	High temp. thermistor 30 m, color: black	1
②	Installation manual	1

■ Local system

The high temp. thermistor is used as the boiler flow temp. thermistor (THWB1) or the mixing tank temp. thermistor (THW10).



Number	Component
1	Boiler flow temp. thermistor (THWB1)
2	Mixing tank temp. thermistor (THW10)
3	Flow temp. thermistor (THW6) (option)
4	Return temp. thermistor (THW7) (option)
5	Circulation pump (local supply)

1. Boiler operation

FTC can control boiler only in space heating mode.

When boiler is running, the heating operation is regulated by the room thermostat connected to FTC.

IMPORTANT NOTE: Be sure to connect room thermostat to FTC.

1.1 Wiring for boiler control

<Thermistor inputs>

Name	Terminal block	Item	Optional part model
THW6	TBI.5 7-8	Thermistor (Zone1 flow water temp.) (Option)	PAC-TH011-E
THW7	TBI.5 5-6	Thermistor (Zone1 return water temp.) (Option)	
THWB1	TBI.6 7-8	Thermistor (Boiler flow water temp.)	PAC-TH012HTL-E

<Outputs>

Connect OUT10 to boiler external input (Room thermostat).

Name	Terminal block	Item	OFF	ON	Signal/Max current
OUT10	TBO.3 1-2	Boiler output	OFF	ON	non-voltage contact • 220 - 240V AC (30V DC) 0.5 A or less • 10 mA 5V DC or more

Note: • OUT10 is separated by basic insulation from other external output signals in FTC.

- Connect the surge absorber according to the load at site.
- When the wires are wired to adjacent terminals, use ring terminals and insulate the wires.
- Do not splice the wiring to extend or shorten it, or this could affect correct monitoring of each temperature. If the wiring is too long, bundle it with a strap to adjust the length.

1.2 Dip switch setting

Set Dip SW1-1 and SW2-6 to ON .

Dip switch	Function	OFF	ON
SW1-1	Boiler	WITHOUT Boiler	WITH Boiler
SW2-6	Mixing tank	WITHOUT Mixing tank	WITH Mixing tank

1.3 Main controller setting

<Service menu> → "Heat source setting"

→ "Operation settings" → "Boiler operation"

	Menu	Description
Heat source setting	Hybrid	Automatically switch "Heat pump" and "Boiler".
Hybrid settings	Outdoor ambient temp.	Set the ambient temperature to switch to Boiler operation.
	Priority mode	Set which one to prioritize (Ambient or Cost or CO ₂).
	Outdoor ambient temp. rise	Difference in temperature to switch to Heat pump operation.
Intelligent settings	Energy price	Enter unit prices of electricity, and gas or oil (depending on boiler type) per 1 kWh.
	CO ₂ emission	Enter CO ₂ emission amount from electricity or boiler (gas or oil).
	Heat source	Enter outdoor unit capacity, electric heater capacity, and boiler efficiency.

2. Buffer tank control

Buffer tank control operates when heating (or cooling) function is active in the smart grid ready*.

* Refer to the installation manual of indoor unit.

2.1 Wiring for buffer tank control

<Thermistor inputs>

Name	Terminal block	Item	Optional part model
THW6	TBI.5 7-8	Thermistor (Zone1 flow water temp.) (Option)	PAC-TH011-E
THW7	TBI.5 5-6	Thermistor (Zone1 return water temp.) (Option)	
THW10	TBI.6 5-6	Thermistor (Mixing tank water temp.)	PAC-TH012HTL-E

<Signal inputs>

Name	Terminal block	Item	OFF (open)		ON (short)
			IN11	IN12	Meaning
IN11	TBI.3 3-4	Smart grid ready input	OFF (open)	OFF (open)	Normal operation
			ON (short)	OFF (open)	Switch-on recommendation
IN12	TBI.3 1-2		OFF (open)	ON (short)	Switch-off command
			ON (short)	ON (short)	Switch-on command





2.2 Dip switch setting

Set Dip SW2-6 to ON.

Dip switch	Function	OFF	ON
SW2-6	Mixing tank	WITHOUT Mixing tank	WITH Mixing tank

2.3 Main controller setting

<Service menu> → "Operation settings" → "Smart grid ready"

Name		Description	
Heating	Target temp.		Target temp. of "Switch-on recommendation".
			Target temp. of "Switch-on command".
Cooling	Target temp.		Target temp. of "Switch-on recommendation".
			Target temp. of "Switch-on command".
Pump cycles	On/Off	When set to "On", the water circulation pump is operated intermittently according to the heat storage temp. of the buffer tank.	
	Interval	Re-judgment of the pump on/off time.	



ATW INDOOR UNIT OPTIONAL PARTS

2 ZONE KIT

PAC-TZ02-E

INSTALLATION MANUAL

- This 2 zone kit **MUST** be used with Cylinder unit or Hydrobox **except for E*SE models**.
- Before starting installation, read the following description together with the installation manual included with the Cylinder unit (Hydrobox).
- Please read carefully and observe fully the following safety precautions.

WARNING	Precaution that must be observed to prevent injuries or death.
CAUTION	Incorrect handling could lead to injury or damage to house and household articles.

- After installation, carry out a test run to ensure correct operation, then explain operation method and safety precautions to the end user.
Tell your customers to keep this installation manual, and when they give or sell this machine to any other person include this installation manual with it.

WARNING

- If Cylinder unit (Hydrobox) has already been connected to the power supply, ensure circuit breaker is off before carrying out electrical work.
- If the 2 zone kit is installed incorrectly or modified after installation by the user, water may leak or 2 zone kit may fall from Cylinder unit or wall.
- All installation should be performed by a qualified technician according to local regulations and the instructions given in this manual.
- Connections must be made securely and without tension on the terminals.

CAUTION

- The 2 zone kit must be installed by 2 or more people.
- All exposed water pipework should be insulated to prevent unnecessary heat loss and condensation.
- To also use the 2 zone kit in Cooling mode, securely apply heat-insulation to draining pipework. If heat-insulation is inadequate, condensation could occur on the surface of pipes and dew could drop on the floor or important goods.
- To prevent dirty water from draining onto the floor next to Cylinder unit or under Hydrobox, please connect appropriate discharge pipework from the 2 zone kit to its disposal location.
- Secure 2 zone kit to prevent it from falling.
- Do not hold piping or drain socket when moving the 2 zone kit.
- Avoid the connection of piping or drain socket from damage. Otherwise, it may cause water leakage.
- To prevent incorrect installation, please connect the flexible hose at the bend radius of 150 mm or more.
- The water flow rate between the Cylinder unit (Hydrobox) and the 2 zone kit must be greater than the total flow rate of Zone1 and Zone2. Otherwise, Zone1 and Zone2 may not be heated properly.

Disposal of the Unit

Note: This symbol mark is for EU countries only.

This symbol mark is according to the directive 2012/19/EU Article 14 Information for users and Annex IX, and/or to the directive 2006/66/EC Article 20 Information for end-users and Annex II.

Your Mitsubishi Electric heating system products have been manufactured with high quality materials and components which can be recycled and/or reused. The symbol in Figure 1.1 means that electrical and electronic equipment, batteries and accumulators at the end of their life, should be disposed of separately from your household waste.

If a chemical symbol is printed beneath the symbol (Figure 1.1), this chemical symbol means that the battery or accumulator contains a heavy metal at a certain concentration. This is indicated as follows; Hg: mercury (0.0005%), Cd: cadmium (0.002%), Pb: lead (0.004%)

In the European Union there are separate collection systems for used electrical and electronic products, batteries and accumulators.

<Figure 1.1>

Please dispose of this equipment, batteries and accumulators correctly at your local community waste collection/recycling centre.

Contact your local Mitsubishi Electric dealer for country-specific details on disposal.

Please, help us to conserve the environment we live in.

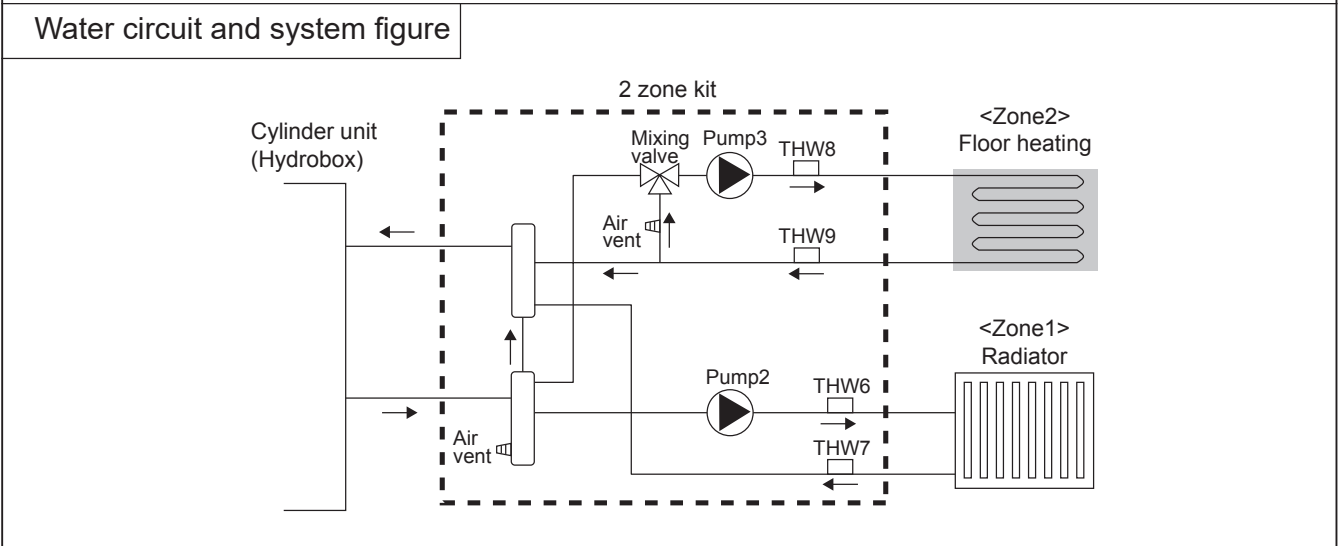
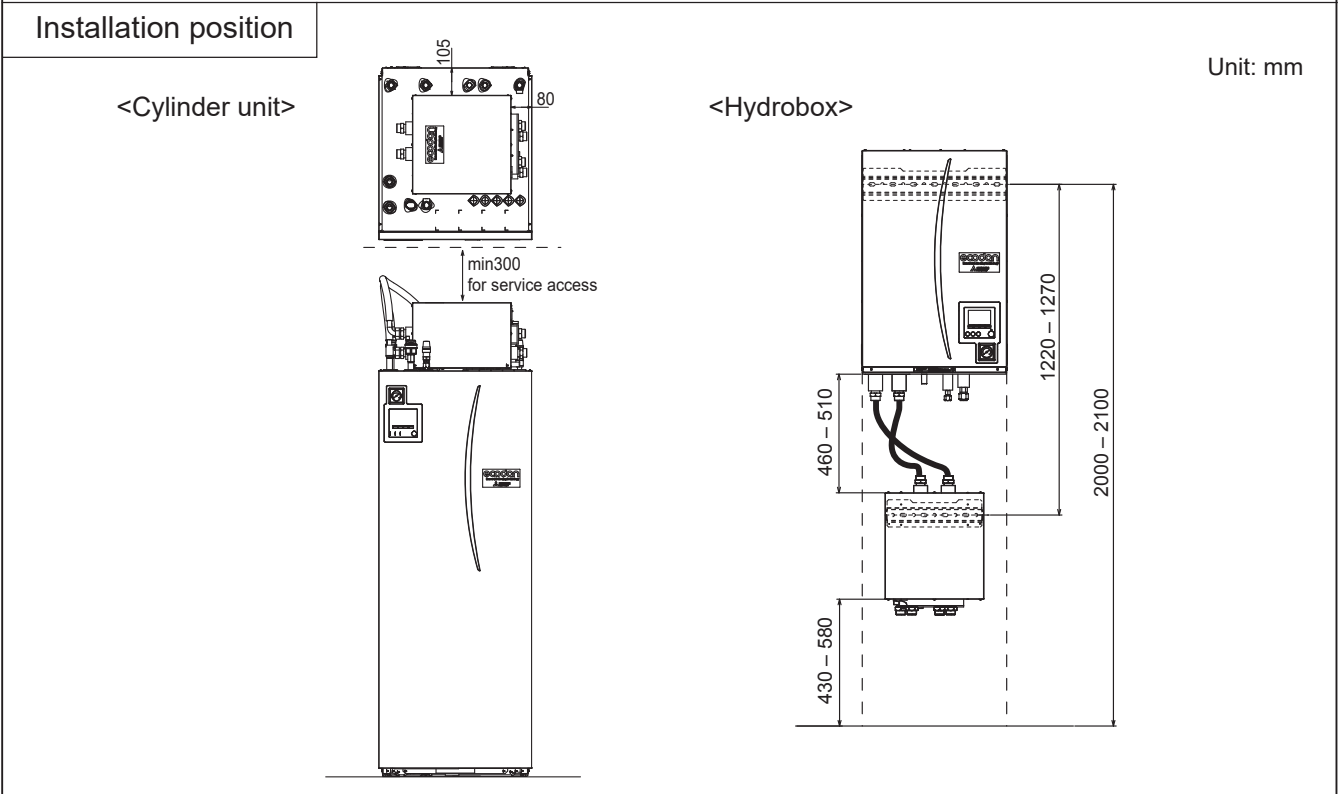
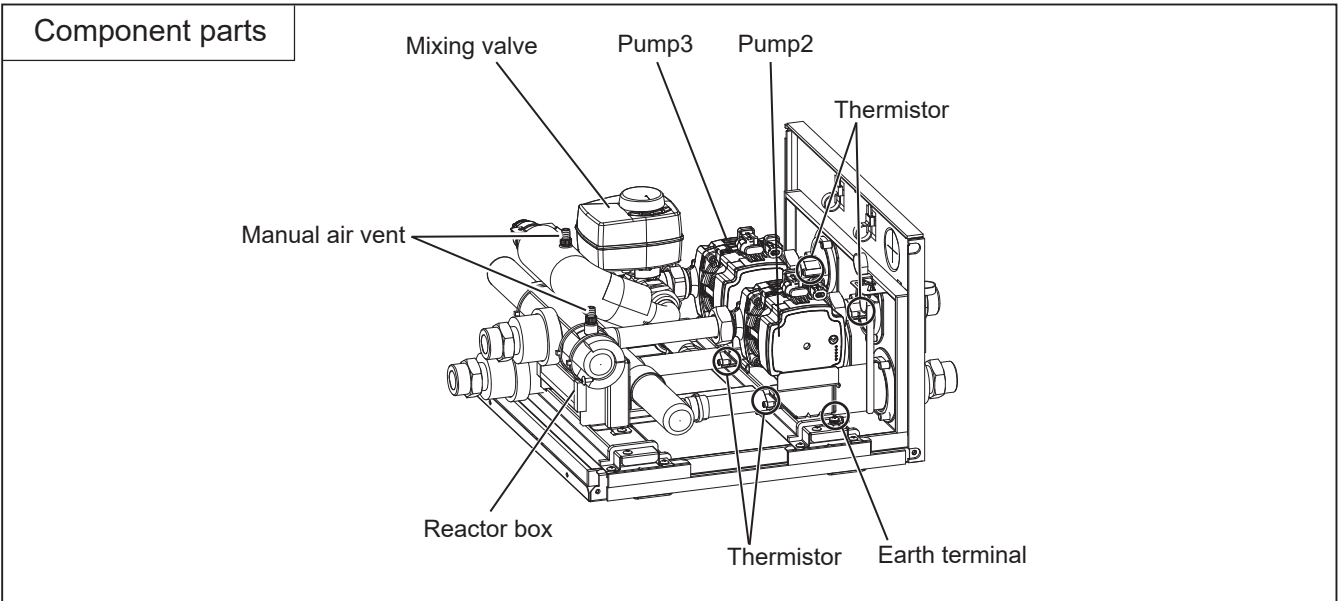
Contents

Item	Q'ty
① 2 zone kit	1
② Flexible hose (520mm)	2
③ Conversion joint (Φ28 → G1)	2
④ Fixing plate	2
⑤ Gasket	4
⑥ Installation manual	1
⑦ Screw (M5×8)	2

Outline

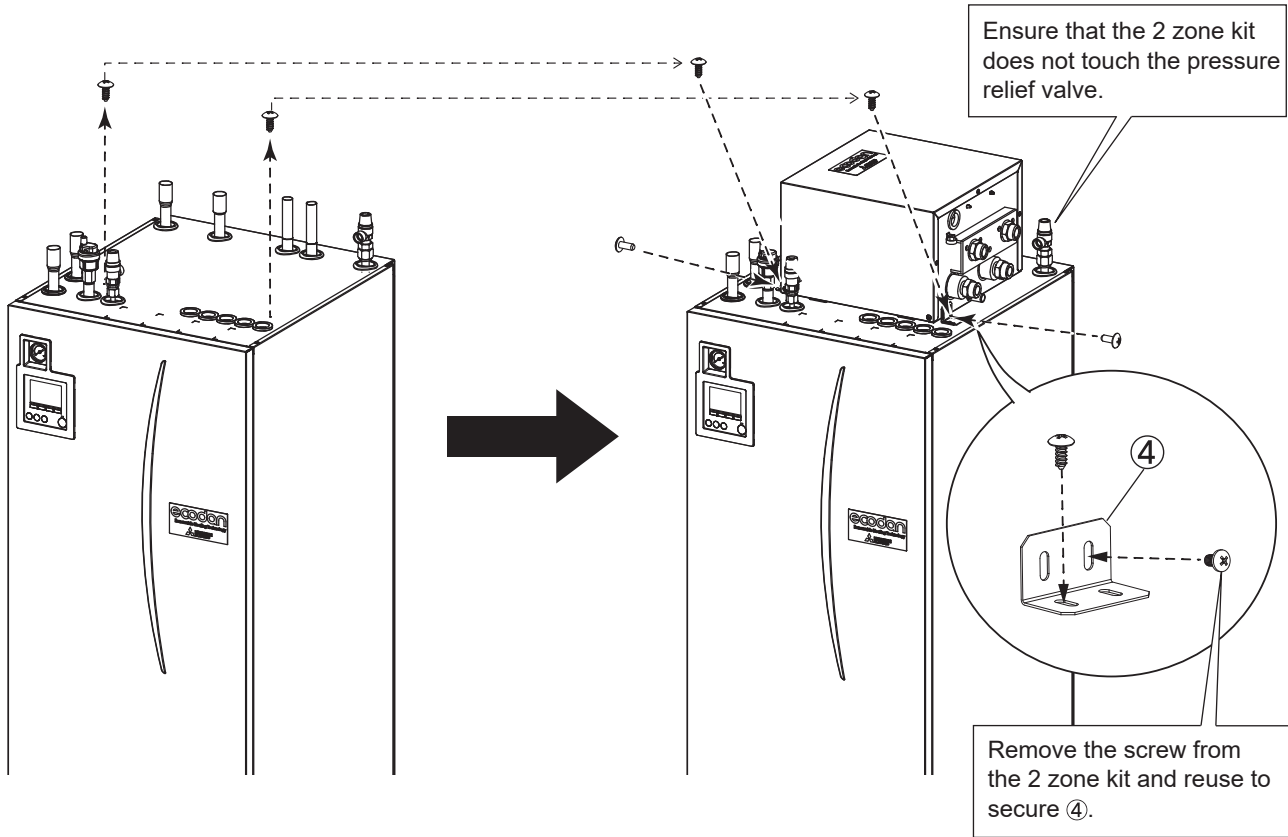
A	From Cylinder unit (Hydrobox)
B	To Cylinder unit (Hydrobox)
C	From Zone1
D	To Zone1
E	From Zone2
F	To Zone2

Drain socket (Size: Φ18.5)



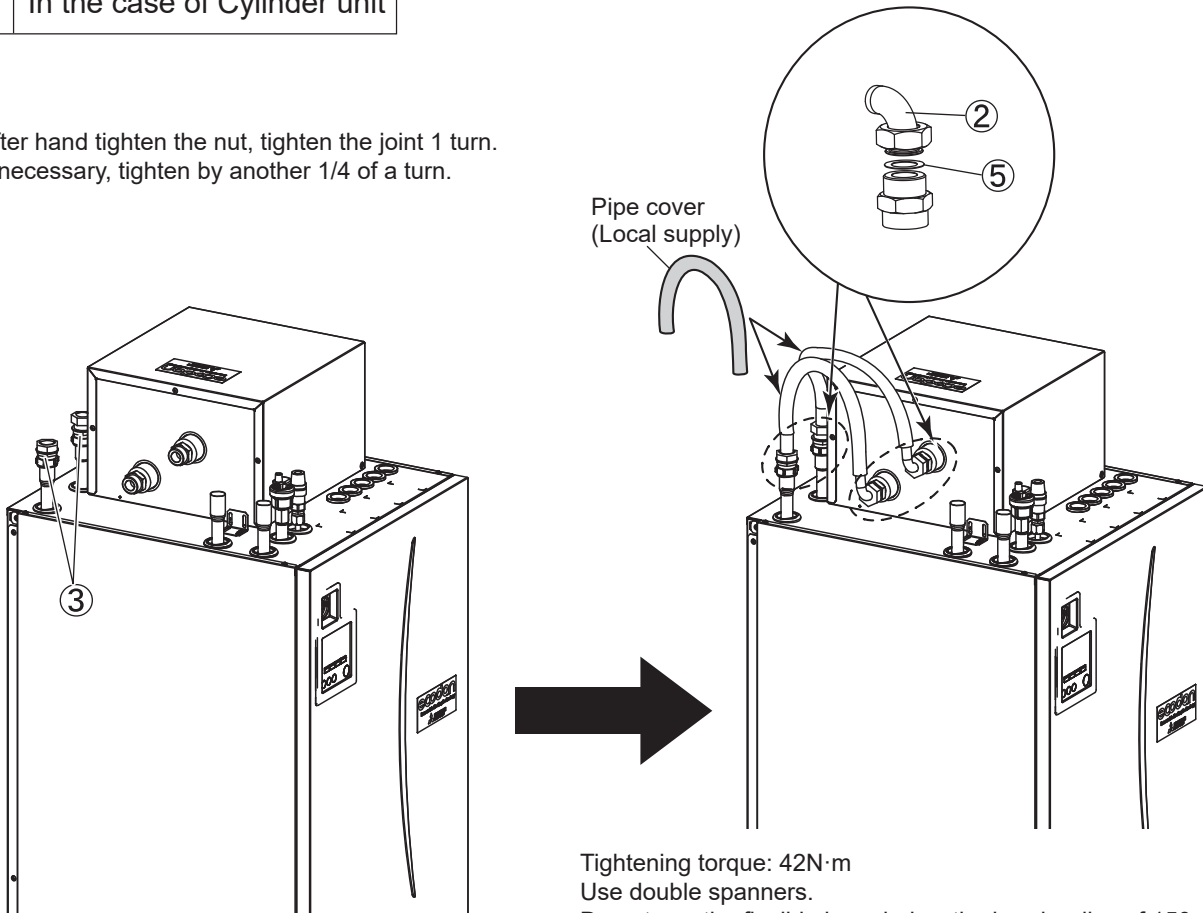
Optional parts

1 In the case of Cylinder unit



2 In the case of Cylinder unit

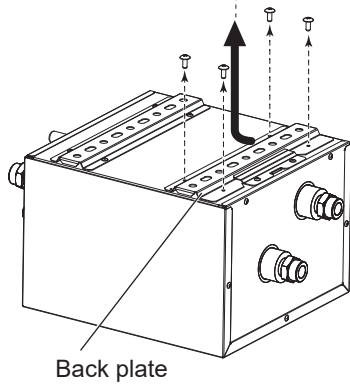
After hand tighten the nut, tighten the joint 1 turn.
If necessary, tighten by another 1/4 of a turn.



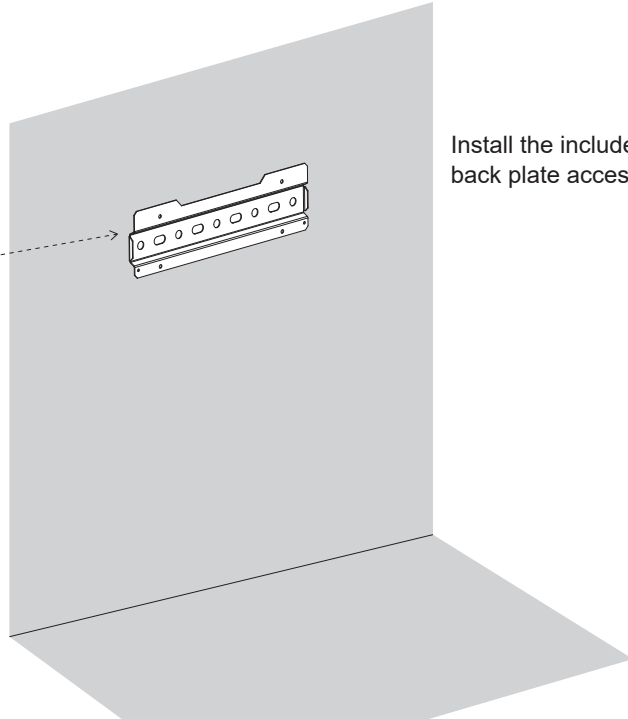
Optional parts

1 In the case of Hydrobox

1. Remove the back plate from the top of the 2-zone kit.

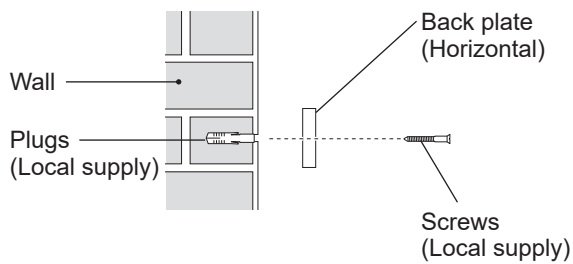


2.



Install the included back plate accessory.

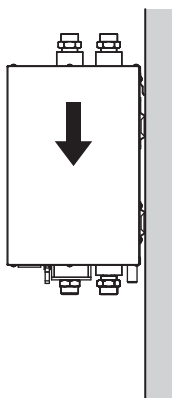
<Side view>



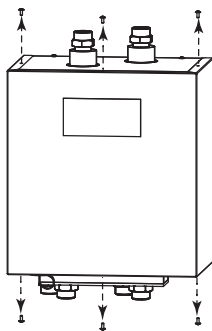
- Ensure that the notch is positioned at the TOP of the back plate. The back plate is provided with screw mounting holes that are round or oval. To prevent the 2-zone kit from falling off the wall, choose the appropriate number of holes or hole positions and horizontally secure the back plate to the appropriate wall location.

2 In the case of Hydrobox

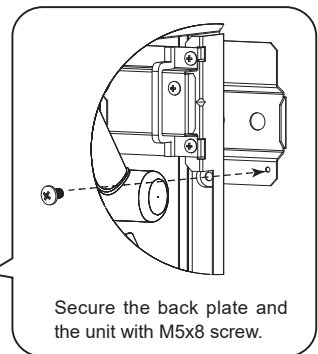
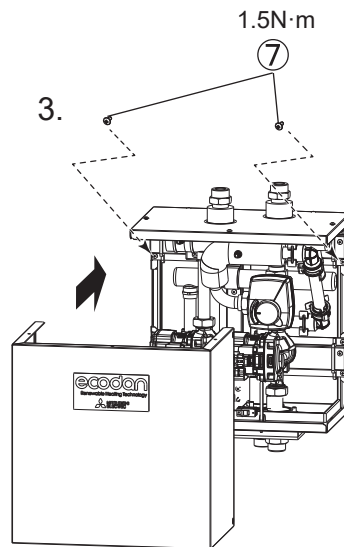
1.



2.



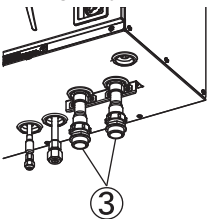
3.



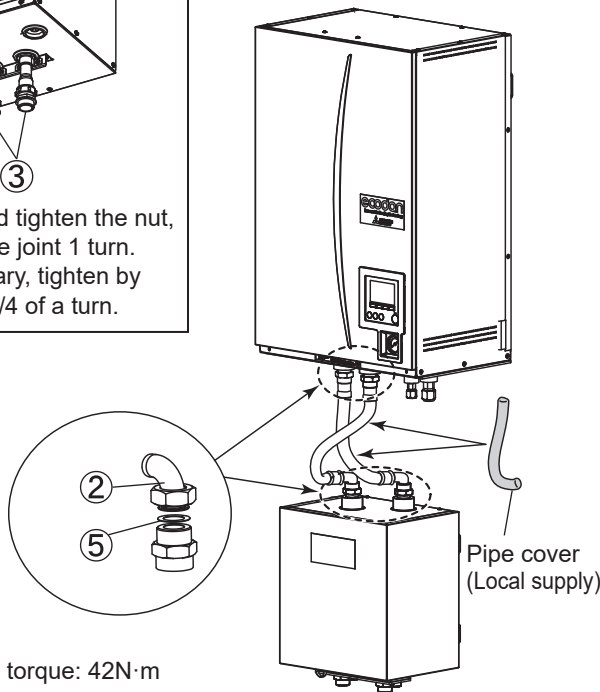
Secure the back plate and the unit with M5x8 screw.

3 In the case of Hydrobox

Heating only model



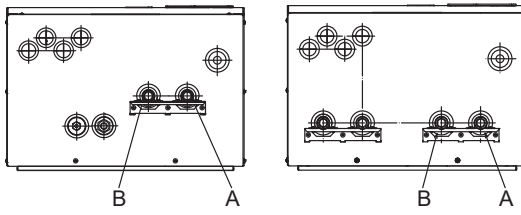
After hand tighten the nut, tighten the joint 1 turn. If necessary, tighten by another 1/4 of a turn.



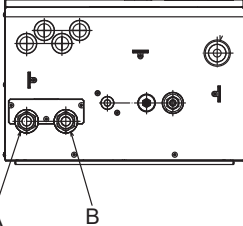
Tightening torque: 42N·m
Use double spanners.
Do not use the flexible hose below the bend radius of 150 mm.

<View from below>

Heating only model

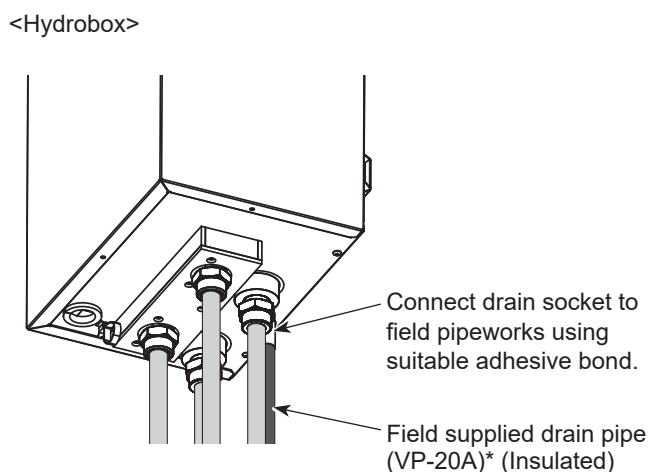
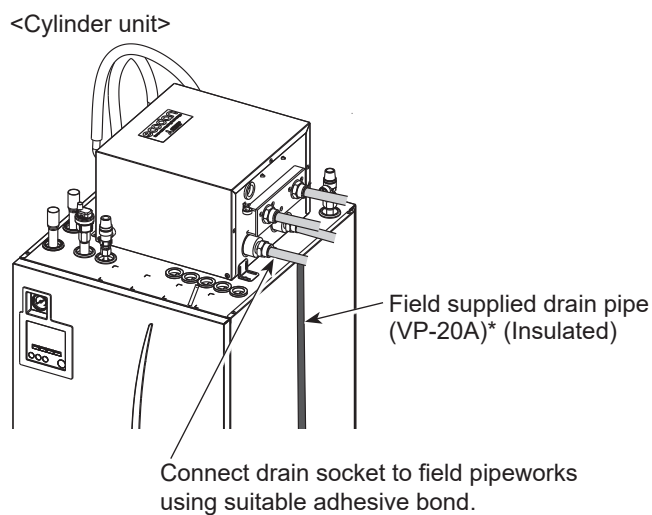


Heating and cooling model



Letter	Pipe description
A	Space heating/Indirect DHW tank (primary) return connection
B	Space heating/Indirect DHW tank (primary) flow connection

Drain piping Connect the drain pipe only for Heating/Cooling models.



NOTE

- Please use PVC pipe for drain piping.
- Use only compatible adhesive/glue for pipe joint.
- For proper drain-off, install pipework with gradient/fall of min. 1/100.
- Install pipe to fall continuously without bowing.
- Do not install any air purge points on condensate drain pipe run.
- Condensate drain pipe must discharge to suitable and safe outlet location. It should not be directly connected to any sewer-connected pipework that may introduce sulphurous gases/smells to the building.

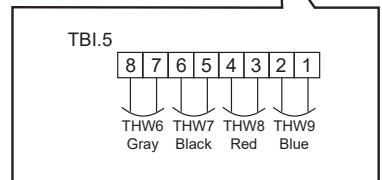
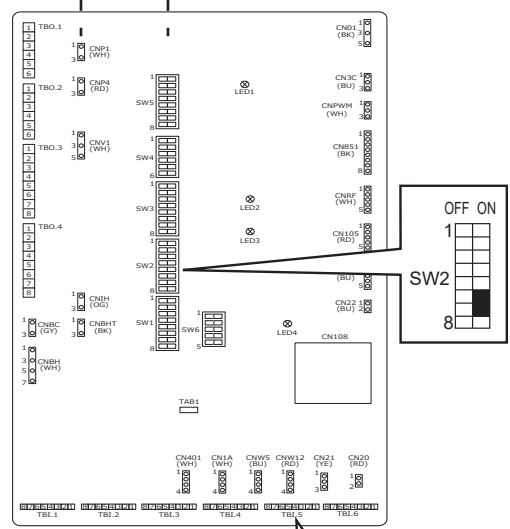
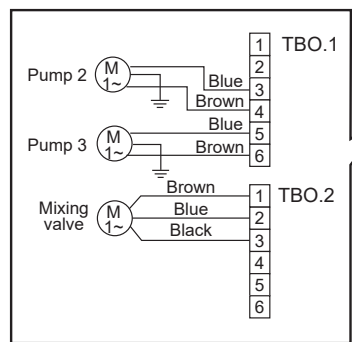
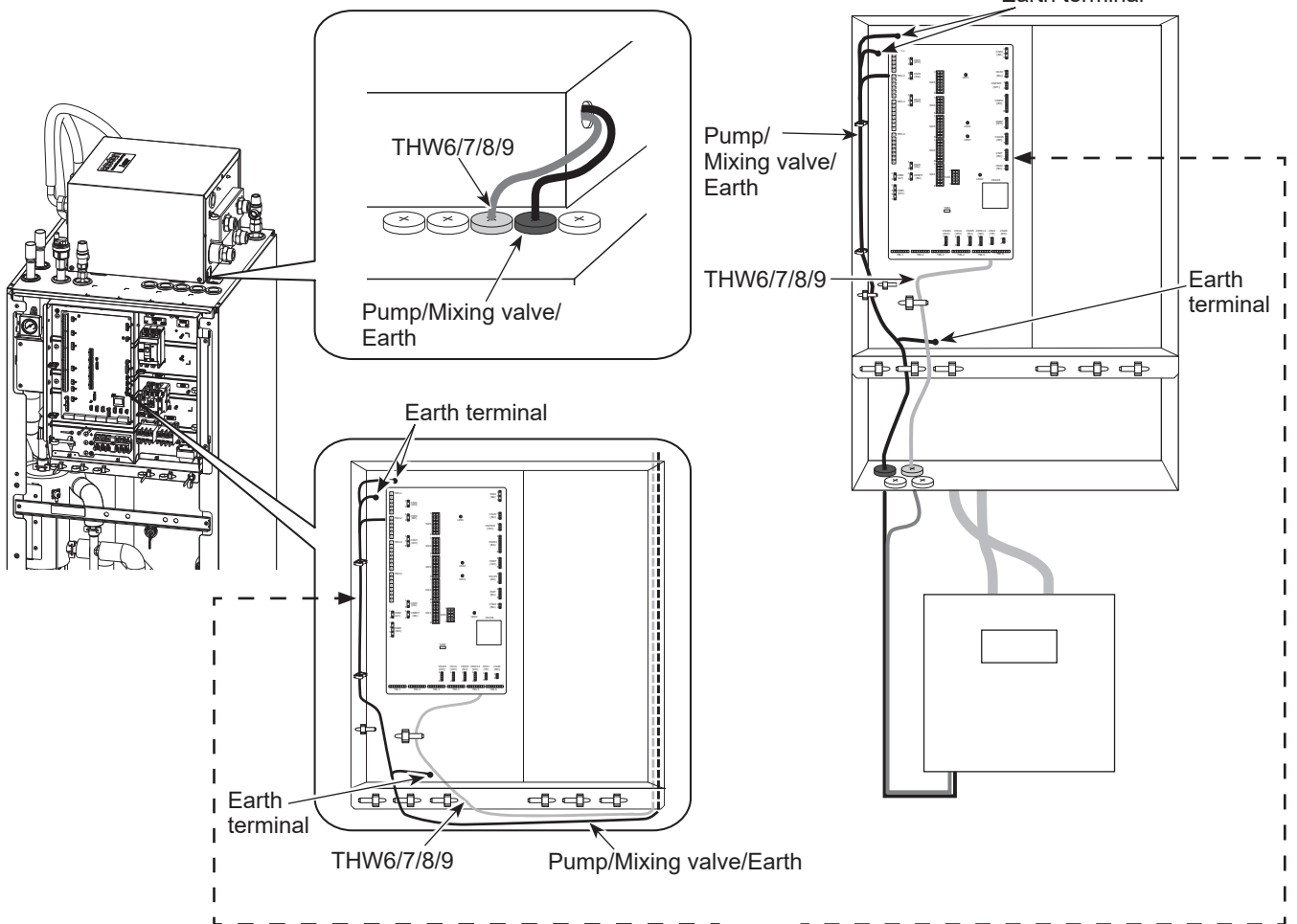
* "VP-20" is a PVC pipe with an outside diameter of 26 mm and an inside diameter of 20 mm.

Optional parts

Wiring

<Cylinder unit>

<Hydrobox>



Optional parts

DIP Switch settings of Cylinder unit (Hydrobox)

Setting the following DIP switches are necessary for 2 zone control. (See the installation manual of Cylinder unit (Hydrobox) for more information.)

DIP switch	Function	OFF	ON	Setting when using 2 zone kit
SW2-6	Mixing tank	WITHOUT Mixing tank	WITH Mixing tank	ON
SW2-7	2-zone temperature control	Inactive	Active *	ON

* Active only when SW3-6 is set to OFF.

Specifications

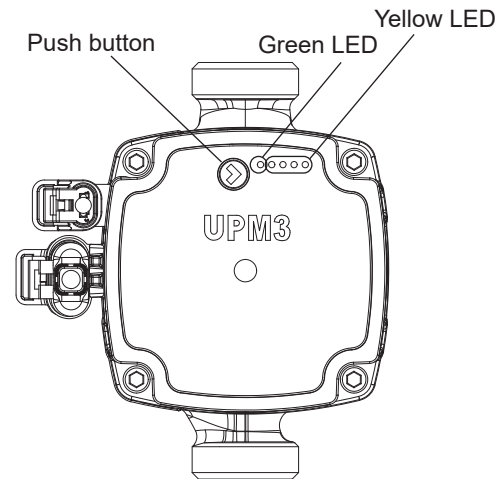
Model name	PAC-TZ02-E
Dimension	265mm × 383mm × 383mm
Weight	17kg
Power supply	230V/single phase/50Hz from Cylinder unit (Hydrobox)
Sound pressure level	28dB(A)
Sound power level	40dB(A)
Pump2, 3	Max. 52W/0.52A
	Max. head 7.0m *1
Mixing valve	5W
	Running time 90° 120s
Water flow rate range	Depend on outdoor unit

Note:

- Max. flow rate is 36.9L/min. If the flow rate exceeds 36.9L/min, pipes would be eroded.
- The water flow rate between the Cylinder unit (Hydrobox) and the 2 zone kit must be greater than the total flow rate of Zone1 and Zone2.

Pump performance view

Display	Performance in % of MAX consumption
One green LED	0
One green LED + one yellow LED	0-25
One green LED + two yellow LED	25-50
One green LED + three yellow LED	50-75
One green LED + four yellow LED	75-100



Pump key lock function

If you press the button for more than 10 seconds, you can toggle between enabling/disabling the key lock function.

Pump setting selection

You can check the setting by pressing the push button.

If you press the button for 2 to 10 seconds, the user interface switches to “setting selection” if the user interface is unlocked.

You can change the settings as below table.

Mode	LED1 green	LED2 green	LED3 yellow	LED4 yellow	LED5 yellow
PP1	•		•		
PP2	•		•	•	
PP3	•		•	•	•
PP AA	•				
CP1		•	•		
CP2		•	•	•	
CP3		•	•	•	•
CP AA		•			
CC1			•		
CC2			•	•	
CC3			•	•	•

PP: Proportional Pressure

The head (pressure) is reduced at falling heat demand and increased at rising heat demand.

PP1: lowest proportional pressure curve

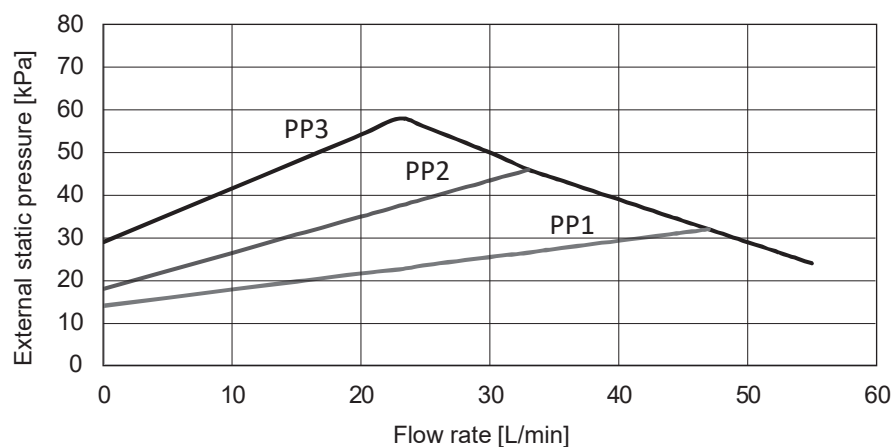
PP2: intermediate proportional pressure curve

PP3: highest proportional pressure curve

PP Auto Adapt: highest to lowest proportional pressure curve

The Auto Adapt function enables the circulator to adjust the pump performance automatically to the size of the system or the variations in load over time.

<Proportional Pressure>



CP: Constant Pressure

The head (pressure) is kept constant, irrespective of the heat demand.

CP1: lowest constant pressure curve

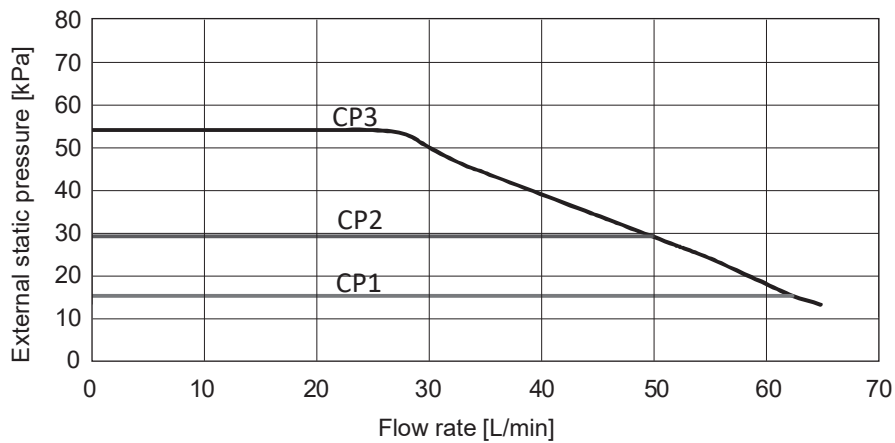
CP2: intermediate constant pressure curve

CP3: highest constant pressure curve

CP Auto Adapt: highest to lowest constant pressure curve

The Auto Adapt function enables the circulator to adjust the pump performance automatically to the size of the system or the variations in load over time.

<Constant Pressure>

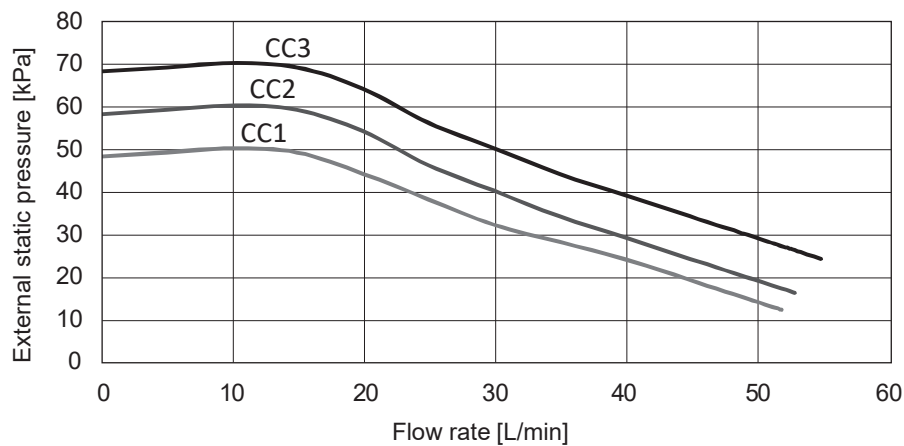


Optional parts

CC: Constant Curve

The circulator runs on a constant curve.

<Constant Curve>





PARTS NAME : PRESSURE SENSOR

PARTS No. : PAC-PS01-E

SALES MODEL CODE : 7H1PS01

MITSUBISHI ELECTRIC CORPORATION

INSTALLATION MANUAL

- Before starting installation, read the following description together with the installation manual included with the unit.
- Please read carefully and observe fully the following safety precautions.

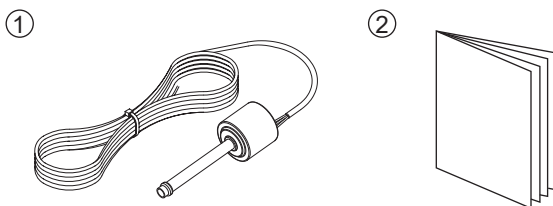
⚠ WARNING Precautions that must be observed to prevent injuries or death.

- After installation carry out a test run to ensure correct operation, then explain operation method and safety precautions to the end user. Tell your customers to keep this installation manual together with the operation manual, and when they give or sell this machine to any other person include this installation manual and operation manual with it.

⚠ WARNING

- Before installing any accessories on the unit ensure the unit is isolated from the power supply.
- Connections must be made securely and without tension on the terminals.
- All electrical work should be performed by a qualified technician according to local regulations and the instructions given in this manual.
- Do not remodel this part.

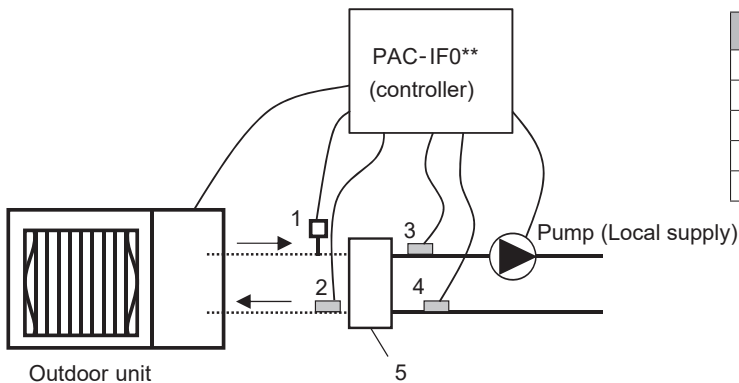
<Included items>



	Item	Piece
①	Pressure sensor 1.9 m	1
②	Installation manual (This paper)	1

■ Local system

Install the pressure sensor on the flow side of the refrigerant pipe.



Number	Component
1	Pressure sensor
2	Refrigerant liquid temp. thermistor (TH2)
3	Flow temp. thermistor (THW1)
4	Return temp. thermistor (THW2)
5	Plate heat exchanger (local supply)

<Note>

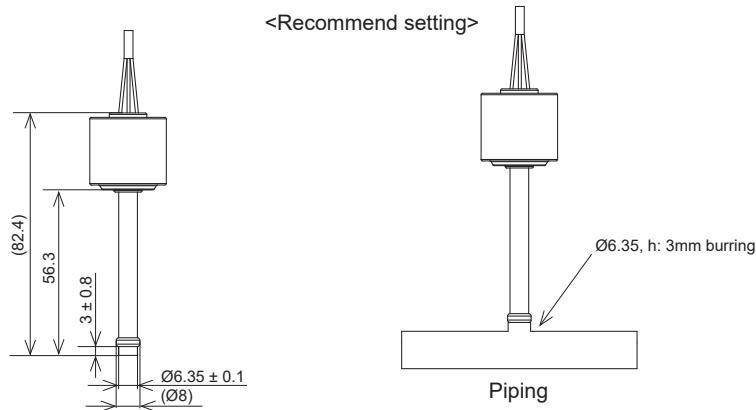
Be sure to set this optional part when the combination of the below models are set.

- Outdoor unit: SUZ-SWM**VA
- Indoor unit: PAC-IF071B-E
PAC-IF033***-E

Optional parts

1. Pipe work

Install the pressure sensor following the Note below.



<Note>

- Install the sensor within 0.4 m from the plate heat exchanger.
- When brazing the pipe, keep the temperature around the cap at 100 °C or lower. Failure to do so could impair waterproof performance of the pressure sensor.
- When wiring, please do not touch the terminals while live, otherwise the pressure sensor could be damaged by static electricity.
- Please do not install the pressure sensor anywhere that may come into contact with water.
- Please do not apply any stress (e.g. bending stress, pulling stress, or impact shock) to the electric wire. Failure to do so could break or damage the electric wire.

2. Electrical work

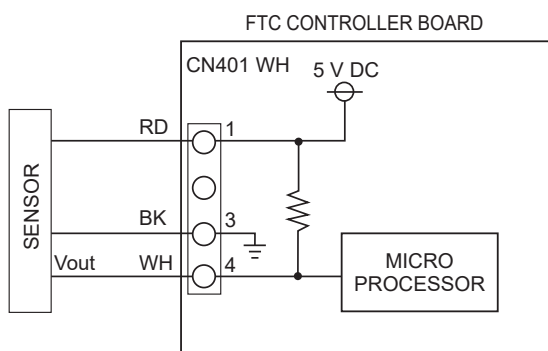
Model	Connector	Item
PAC-IF07*B-E	CN401	Pressure sensor
PAC-IF033***-E	CN401	Pressure sensor

3. Dip switch setting

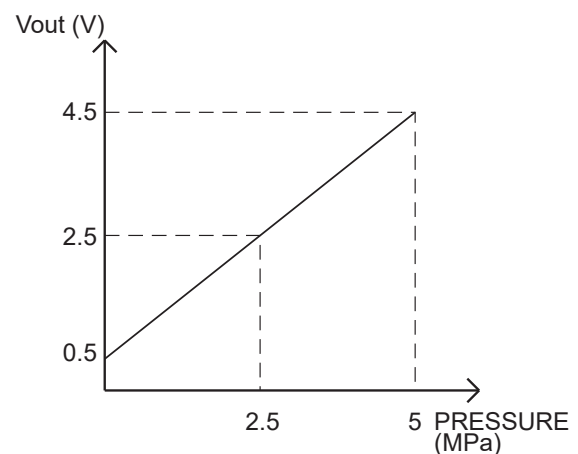
Model	Dip switch	Function	OFF	ON
PAC-IF071B-E	SW6-3	Pressure sensor	Inactive	Active
PAC-IF033***-E	SW4-1	Pressure sensor	Inactive	Active

4. Specifications

Ambient temperature range	-30 to 100 °C
Fluid temperature range	-30 to 120 °C



- ①-③ : 5 V (DC)
- ③-④ : Output Vout (DC)





PARTS NAME : FLOW SENSOR

PARTS No. : PAC-FS01-E

SALES MODEL CODE : 7H1FS01

MITSUBISHI ELECTRIC CORPORATION

INSTALLATION MANUAL

- Before starting installation, read the following description together with the installation manual included with the unit.
- Please read carefully and observe fully the following safety precautions.

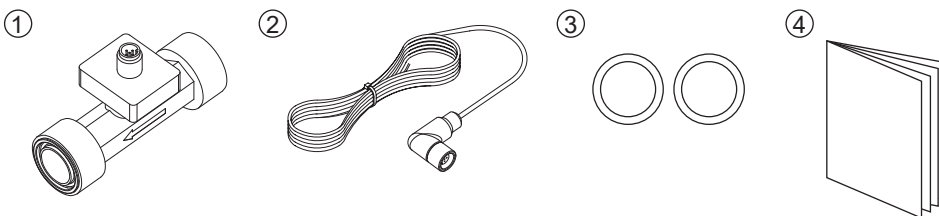
⚠ WARNING Precautions that must be observed to prevent injuries or death.

- After installation carry out a test run to ensure correct operation, then explain operation method and safety precautions to the end user. Tell your customers to keep this installation manual together with the operation manual, and when they give or sell this machine to any other person include this installation manual and operation manual with it.

⚠ WARNING

- Before installing any accessories on the unit ensure the unit is isolated from the power supply.
- Connections must be made securely and without tension on the terminals.
- All electrical work should be performed by a qualified technician according to local regulations and the instructions given in this manual.
- Do not remodel this part.

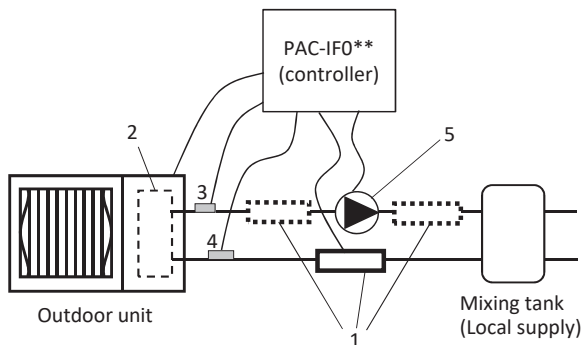
<Included items>



	Item	Piece
①	Flow sensor body	1
②	Flow sensor cable 5 m, color: black	1
③	O-ring	2
④	Installation manual (This paper)	1

■ Local system

Install the flow sensor between the mixing tank and the plate heat exchanger when using the mixing tank.



Number	Component
1	Flow sensor
2	Plate heat exchanger
3	Flow temp. thermistor (THW1)
4	Return temp. thermistor (THW2)
5	Circulation pump (local supply)

<Note>

Be sure to install this optional part when the combination of the below models are set.

- Outdoor unit: PUZ-(H)WM****A ▪ Indoor unit: PAC-IF072B-E
PAC-IF033****-E

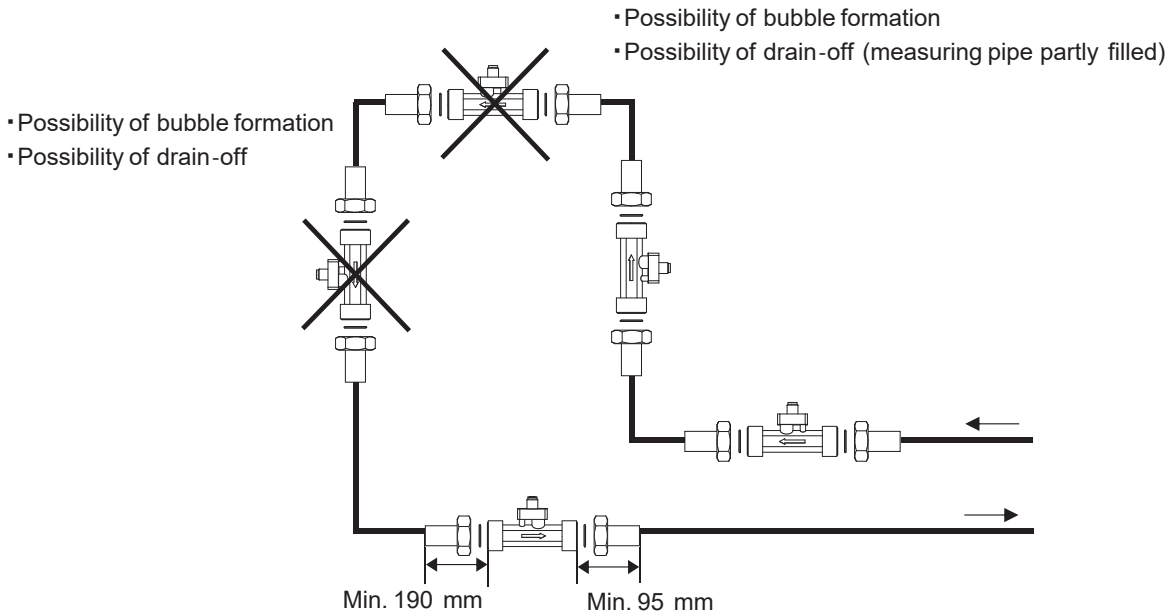
Install this flow sensor optionally for the combination of the below models.

- Outdoor unit: SUZ-SWM**VA ▪ Indoor unit: PAC-IF071B-E
PUD-S(H)WM***AA PAC-IF033****-E
PUHZ-S(H)W****A

Optional parts

1. Installation

The unit can be installed in both horizontal as well as vertical pipelines.
The flow sensor is only suitable for use in fully filled piping.



<Note>

- The length of the inlet section should be at least 190 mm and the length of the outlet section should be at least 95 mm.

2. Electrical work

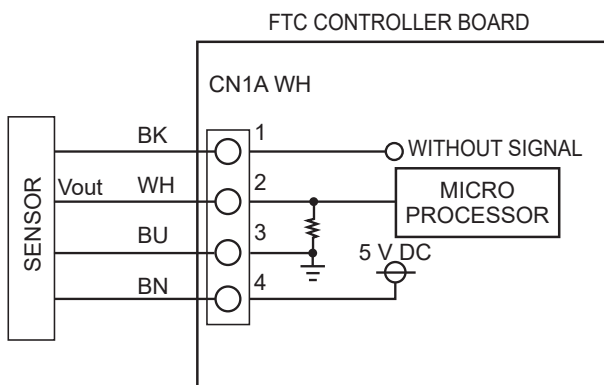
Model	Signal name	Terminal block	Connector	Item
PAC-IF07*B-E	INA1	TBI.4 1-3	CN1A	Flow sensor
PAC-IF033****-E	—	—	CN1A	Flow sensor

3. Dip switch setting

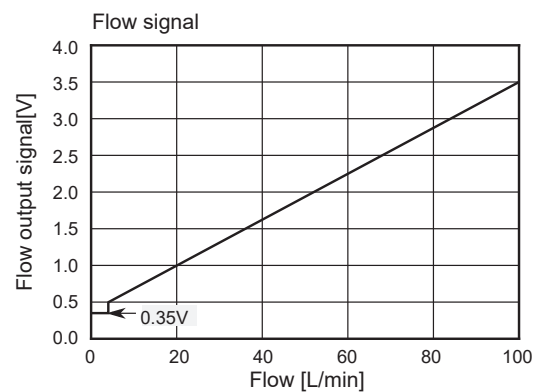
Model	Dip switch	Function	OFF	ON
PAC-IF07*B-E	SW2-8	Flow sensor	WITHOUT Flow sensor	WITH Flow sensor
PAC-IF033****-E	SW4-2	Flow sensor	WITHOUT Flow sensor	WITH Flow sensor

4. Specifications

Ambient temperature range	0 to 70 °C
Fluid temperature range	5 to 90 °C



- ④-③ : 5 V (DC)
- ②-③ : Output Vout (DC)





Air to Water Heat Pump Optional Parts
Connector for drain hose heater
MAC-061RA-E

SAFETY PRECAUTIONS

- Before starting installation, read the "Safety Precautions" described below.
- The following precautions must be observed as it describes the serious matters for safety.
- The safety precautions are described with the degree of danger.

⚠ WARNING	When you handle wrong, it can lead to death or serious injury.
⚠ CAUTION	When you handle wrong, it can lead to injury or damage to building and furniture.

- After installation, make test operation and confirm that it works properly. and explain the safety precautions, operation method, and maintenance to your customers.
 Tell your customers to keep this installation manual together with the operation manual with them, and when they give or sell this machine to other person put this installation manual and operation manual with it.

⚠ WARNING

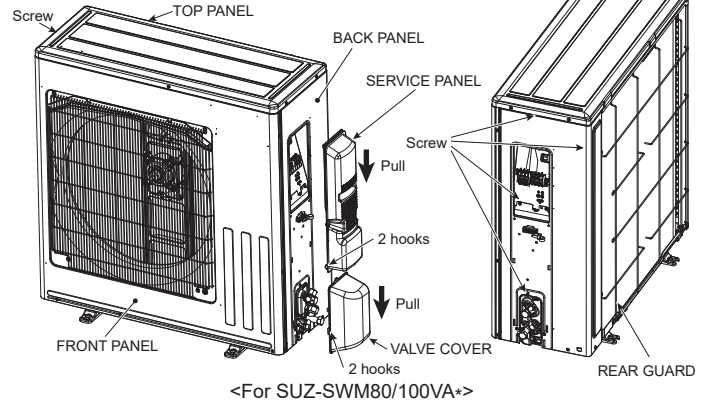
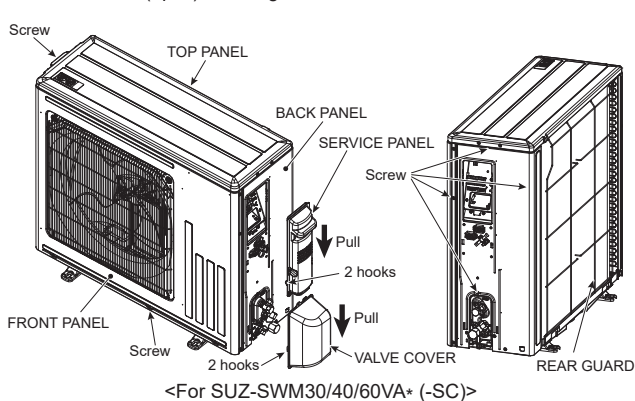
<p>The installation must be done by dealer or qualified person.</p> <ul style="list-style-type: none"> • If the customers do the installation by themselves and it is not perfectly installed it can cause water leak, electric shock, or fire. 	<p>The wiring must be securely done by using proper cable. The wires should be connected to the terminals not to have external force of the cable.</p> <ul style="list-style-type: none"> • Imperfect connections can cause heat or fire.
<p>The installation must be done in accordance with this manual.</p> <ul style="list-style-type: none"> • If the installation is not perfectly done, it can cause water leak, electric shock, or fire. 	<p>The terminal cover (panel) of the unit must be installed securely.</p> <ul style="list-style-type: none"> • Imperfect installation can cause fire or electric shock by dust or water.
<p>The installation must be done carefully.</p> <ul style="list-style-type: none"> • If you handle edges of parts, fins or something like that without protective gloves, you may be injured. 	<p>The electric installation must be done by a qualified person in accordance with this installation manual. Use the separate circuit only for this machine and use rated voltage and circuit breaker.</p> <ul style="list-style-type: none"> • If the electric circuit power is not sufficient or the wiring is not properly done, it can cause electric shock or fire.
<p>Never try any modification.</p> <ul style="list-style-type: none"> • For repair, ask your dealer. • If the machine is modified or repaired unperfectly, it can cause water leak, electric shock, or fire. 	
<p>Never move or reinstall the machine by the customers.</p> <ul style="list-style-type: none"> • If the installation is not perfectly done, it can cause water leak, electric shock, or fire. Ask your dealer or qualified person. 	

Contents

① Terminal block ×1	② Screw M4×12 ×2	③-1 Lead wire with connector (3PIN) ×1 for SUZ-SWM30/40/60VA* (-SC)	③-2 Lead wire with connector (2PIN) ×1 for SUZ-SWM80/100VA*

Installation

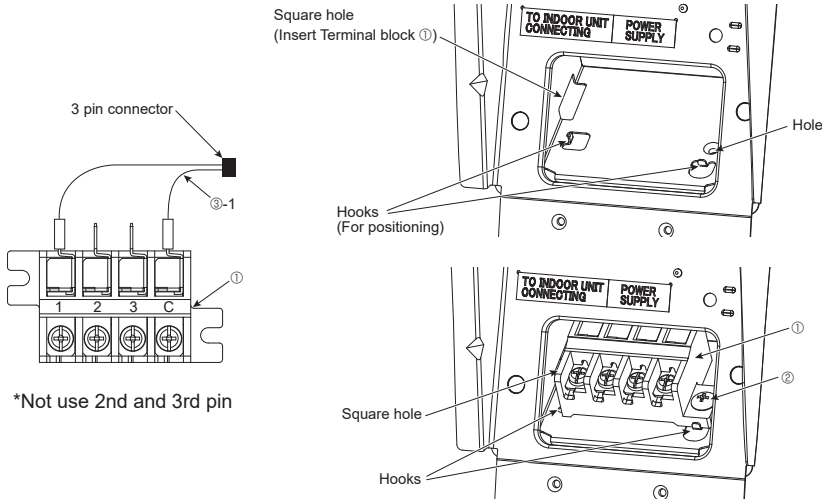
- (1) Remove the SERVICE PANEL fixing screws, then slide the SERVICE PANEL downward to remove it. (SUZ-SWM30/40/60: 4 for left / 4×10) (SUZ-SWM80/100: 2 for left / 4×10)
 - (2) Disconnect the power supply cable from Terminal block.
 - (3) Disconnect the indoor/outdoor connecting cable from Terminal block.
 - (4) Remove the VALVE COVER fixing screws, then slide the VALVE COVER downward to remove it. (All models: 1 for left / 4×10)
 - (5) Remove the TOP PANEL fixing screw to remove it. (SUZ-SWM30/40/60: 2 for right and 2 for left / 4×10) (SUZ-SWM80/100: 1 for front, 2 for right and 2 for left / 4×10)
 - (6) Remove the FRONT PANEL fixing screws to remove it. (SUZ-SWM30/40/60: 4 for front, 3 for right and 2 for left / 4×10) (SUZ-SWM80/100: 6 for front, 3 for right and 4 for left / 4×10)
 - (7) Remove the BACK PANEL fixing screws to remove it. (SUZ-SWM30/40/60: 6 for right and 3 for rear / 4×10) (SUZ-SWM80/100: 6 for right and 3 for rear / 4×10)
- *The screw (2pcs) for fixing REAR GUARD is not same as other screws.



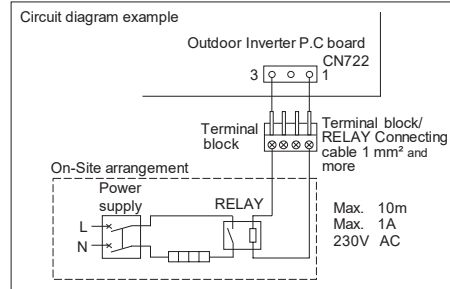
Optional parts

<For SUZ-SWM30/40/60VA* (-SC)>

- (8) Connect one end of the Lead wire with connector ③-1 to Terminal block ①. Leave the other end of it unconnected.
- (9) Fix the Terminal block ① with the screw ② (1pc) so that the Lead wire with connector ③-1 comes inside of outdoor unit.
- (10) Connect the other end of the Lead wire with connector ③-1 to CN722 on the outdoor controller circuit board.
- (11) Assemble the parts removed in the previous steps from (1) to (7) in the reverse order of removal.

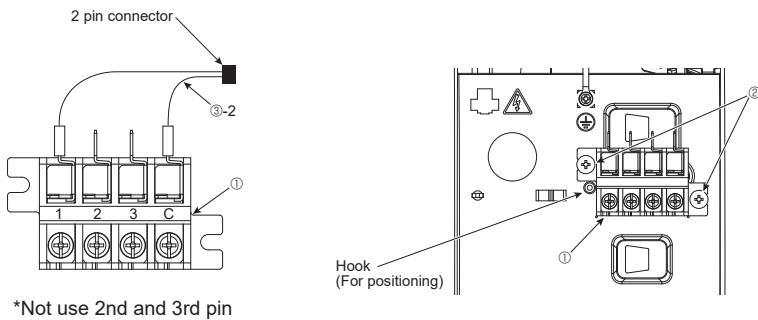


- Drain hose heater RELAY connection only
- MAX. current 1A

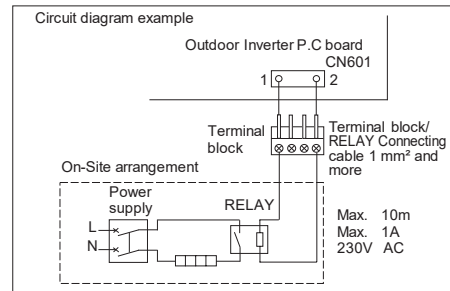


<For SUZ-SWM80/100VA*>

- (8) Connect one end of the Lead wire with connector ③-2 to Terminal block ①. Leave the other end of it unconnected.
- (9) Fix the Terminal block ① with the screw ② (2 pcs) so that the Lead wire with connector ③-2 comes inside of outdoor unit.
- (10) Connect the other end of the Lead wire with connector ③-2 to CN601 on the outdoor controller circuit board.
- (11) Assemble the parts removed in the previous steps from (1) to (7) in the reverse order of removal.



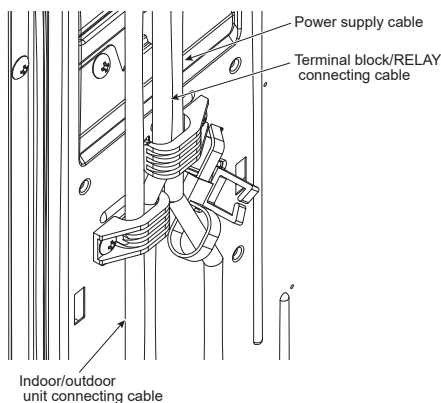
- Drain hose heater RELAY connection only
- MAX. current 1A



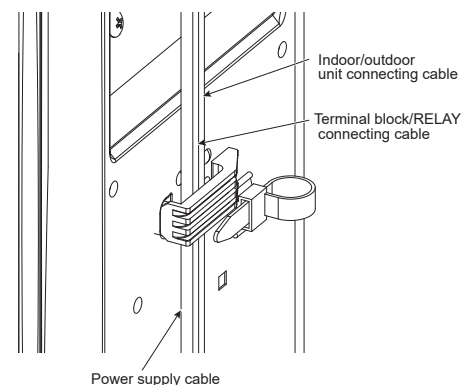
Optional parts

- Note 1: Connect the cable as they were If any of the cable are disconnected during installation.
 Note 2: Take great care not to pinch the lead wire when installing panels.
 Note 3: Terminal block/RELAY connecting cable shall not be lighter than polychloroprene sheathed flexible cable. (Design 60245 IEC 57)
 Note 4: Connecting cables shall be wired as below.

<For SUZ-SWM30/40/60VA*(-SC)>



<For SUZ-SWM80/100VA*>





Heat Pump Outdoor Unit Optional Parts

Connector for drain hose heater

MAC-062RA-E

SAFETY PRECAUTIONS

- Before starting installation, read the "SAFETY PRECAUTIONS" described below.
- The following precautions must be observed as it describes the serious matters for safety.
- The safety precautions are described with the degree of danger.

WARNING	When you handle wrong, it can lead to death or serious injury.
CAUTION	When you handle wrong, it can lead to injury or damage to building and furniture.

- After installation, make test operation and confirm that it works properly, and explain the safety precautions, operation method, and maintenance to your customers.
Tell your customers to keep this installation manual together with the operation manual with them, and when they give or sell this machine to other person, give this installation manual and the operation manual with it.

⚠ WARNING

<p>The installation must be done by dealer or qualified person.</p> <ul style="list-style-type: none"> • If customers install the machine by themselves and it is not perfectly installed, it can cause water leak, electric shock, or fire. 	<p>The wiring must be securely done by using proper cable. The wires should be connected to the terminals not to have external force of the cable.</p> <ul style="list-style-type: none"> • Imperfect connections can cause heat or fire.
<p>The installation must be done in accordance with this manual.</p> <ul style="list-style-type: none"> • If the installation is not perfectly done, it can cause water leak, electric shock, or fire. 	<p>The terminal cover (panel) of the unit must be installed securely.</p> <ul style="list-style-type: none"> • Imperfect installation can cause fire or electric shock by dust or water.
<p>The installation must be done carefully.</p> <ul style="list-style-type: none"> • If you handle edges of parts, fins or something like that without protective gloves, you may be injured. 	<p>The electric installation must be done by a qualified person in accordance with this installation manual. Use the separate circuit only for this machine and use rated voltage and circuit breaker.</p> <ul style="list-style-type: none"> • If the electric circuit power is not sufficient or the wiring is not properly done, it can cause electric shock or fire.
<p>Never try any modification.</p> <ul style="list-style-type: none"> • For repair, ask your dealer. If the machine is modified or repaired imperfectly, it can cause water leak, electric shock, or fire. 	<p>If the supply cord is damaged, it must be replaced by the manufacturer, its service agent or similarly qualified persons in order to avoid a hazard.</p>
<p>Customers shall not move or reinstall the machine by themselves.</p> <ul style="list-style-type: none"> • If the installation is not perfectly done, it can cause water leak, electric shock, or fire. Ask your dealer or qualified person. 	<p>Do not touch the unit, parts, or wires with wet hands. Doing so may cause electric shock.</p>

⚠ CAUTION

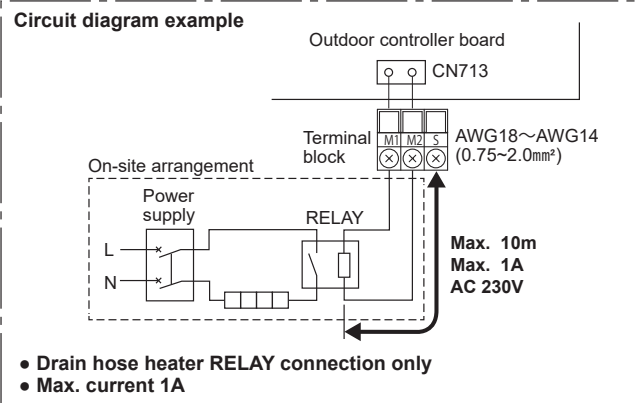
<p>Be sure to cut off the main power in case of wiring works.</p> <ul style="list-style-type: none"> • Failure to do so could cause electric shock. 	<p>Install an earth leakage breaker depending on the installation place.</p> <ul style="list-style-type: none"> • If an earth leakage breaker is not installed, it could cause electric shock.
---	--

Contents

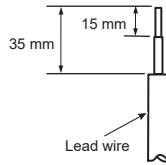
① Terminal block assy ×1	② Screw ×1	③ Cable strap ×1

Optional parts

Installation



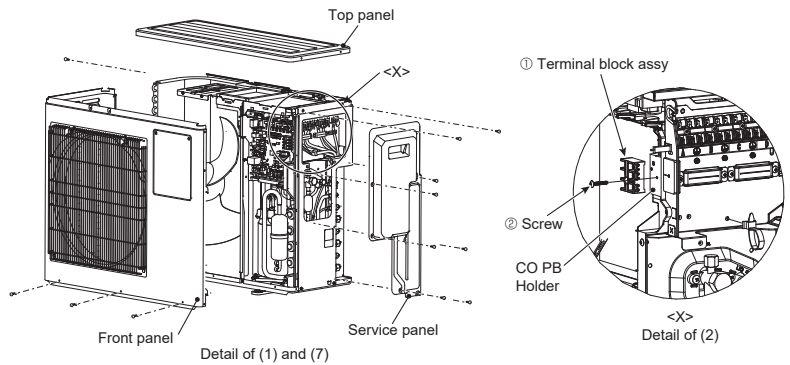
Notice about terminal treatment of cable and wire



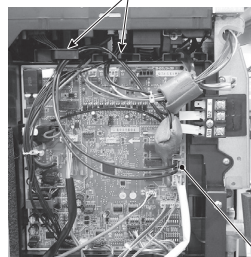
- Be sure to attach each screw to its correspondent terminal when securing the cord and/or the wire to the terminal block.
- Make earth wire a little longer than others. (More than 35 mm)
- For future servicing, give extra length to the connecting wires.

In case of PXZ UNIT size H710xW840xD330

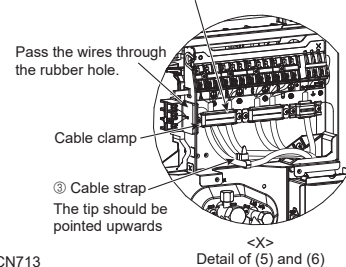
- 1) Remove the service panel, top panel and front panel.
- 2) Attach the terminal block ① to CO PB Holder with the screw ②.
- 3) Connect the lead wire ① of connector side to CN713 port on the outdoor controller board.
- 4) Connect cables (locally procured) for a drain hose heater RELAY to the terminal block ① so that no part of its core is appeared, and no external force is reached to the connecting section of the terminal block.
- 5) Firmly tighten the terminal screws to prevent the wires from loosening. After tightening, pull the wires lightly to confirm that they do not move.
- 6) Fix the lead wire with the cable clamp and cable strap ③. Do not fix the wire at fixed point of screw in the cable clamp. Run the cables or wires so as not to deform the service panel. Otherwise, rainwater may enter the outdoor unit.
- 7) Assemble the service panel, top panel, and front panel securely.



Hang the wires on the hook.

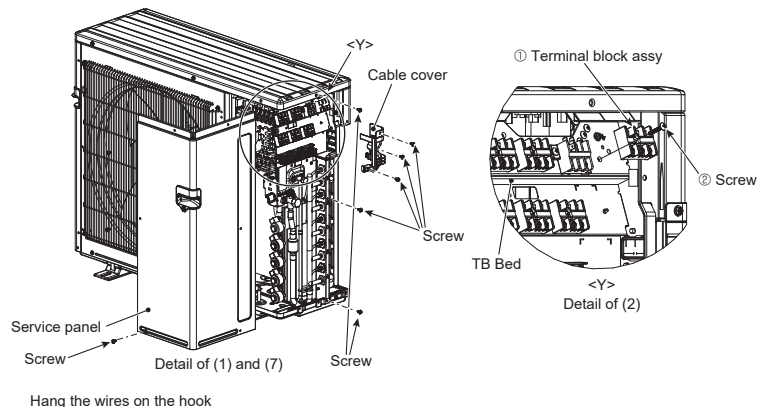


The wires must not get stuck in the screw fixing parts when fixing the cable clamps.

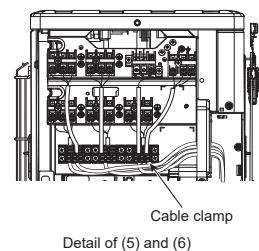
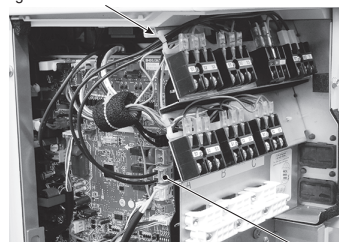


In case of PXZ UNIT size H796xW950xD330

- 1) Remove the service panel and cable cover.
- 2) Attach the terminal block ① to TB Bed with the screw ②.
- 3) Connect the lead wire ① of connector side to CN713 port on the outdoor controller board.
- 4) Pass the cables (locally procured) for a drain hose heater RELAY to the terminal block ① through the grommet, and connect them so that no part of its core is appeared, and no external force is reached to the connecting section of the terminal block.
- 5) Firmly tighten the terminal screws to prevent the wires from loosening. After tightening, pull the wires lightly to confirm that they do not move.
- 6) Fix the lead wire with the cable clamp. Do not fix the wire at fixed point of screw in the cable clamp. Run the cables or wires so as not to deform the service panel. Otherwise, rainwater may enter the outdoor unit.
- 7) Assemble the cable cover, service panel, top panel, and front panel securely.



Hang the wires on the hook





Heat Pump Outdoor Unit Optional Parts

Muffler

MAC-001MF-E

SAFETY PRECAUTIONS

- Before starting installation, read the "SAFETY PRECAUTIONS" described below.
- The following precautions must be observed as it describes the serious matters for safety.
- The safety precautions are described with the degree of danger.

WARNING	When you handle wrong, it can lead to death or serious injury.
CAUTION	When you handle wrong, it can lead to injury or damage to building and furniture.

- After installation, make test operation and confirm that it works properly, and explain the safety precautions, operation method, and maintenance to your customers.
Tell your customers to keep this installation manual together with the operation manual with them, and when they give or sell this machine to other person, give this installation manual and the operation manual with it.

⚠ WARNING

<p>The installation must be done by dealer or qualified person.</p> <ul style="list-style-type: none"> • If customers install the machine by themselves and it is not perfectly installed, it can cause water leak, electric shock, or fire. 	<p>Pipe-work shall be protected from physical damage.</p>
<p>The installation must be done in accordance with this manual.</p> <ul style="list-style-type: none"> • If the installation is not perfectly done, it can cause water leak, electric shock, or fire. 	<p>The installation of pipe-work shall be kept to a minimum.</p>
<p>The installation must be done carefully.</p> <ul style="list-style-type: none"> • If you handle edges of parts, fins or something like that without protective gloves, you may be injured. 	<p>Fasten a flare nut with a torque wrench as specified in this manual.</p> <ul style="list-style-type: none"> • If fastened too tight, a flare nut may break after a long period of use and cause refrigerant leakage.
<p>Never try any modification.</p> <ul style="list-style-type: none"> • For repair, ask your dealer. If the machine is modified or repaired imperfectly, it can cause water leak, electric shock, or fire. 	<p>Use appropriate tools and piping materials for installation.</p> <ul style="list-style-type: none"> • The pressure of R32 is 1.6 times more than R22. Not using appropriate tools or piping materials and incomplete installation could cause the pipes to burst or injury.
<p>Customers shall not move or reinstall the machine by themselves.</p> <ul style="list-style-type: none"> • If the installation is not perfectly done, it can cause water leak, electric shock, or fire. Ask your dealer or qualified person. 	<p>Check that the refrigerant gas does not leak after installation has been completed.</p> <ul style="list-style-type: none"> • If refrigerant gas leaks indoors and comes into contact with the flame of a fan heater, space heater, stove, etc., harmful substances will be generated.
<p>Check the outdoor unit manual before the work, and the installation must be done in accordance with the manual.</p> <ul style="list-style-type: none"> • If the installation is not perfectly done, it can cause water leak, electric shock, or fire. 	<p>When installing the unit, securely connect the refrigerant pipes before starting the compressor.</p> <ul style="list-style-type: none"> • If the compressor is started before the refrigerant pipes are connected and when the stop valve is open, air could be drawn in and the pressure in the refrigeration cycle could become abnormally high. This could cause the pipes to burst or injury.

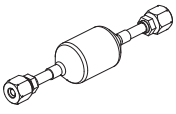
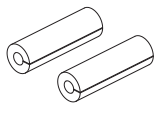
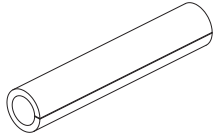
⚠ CAUTION

<p>Install an earth leakage breaker depending on the installation place.</p> <ul style="list-style-type: none"> • If an earth leakage breaker is not installed, it could cause electric shock. 	<p>Do not operate the air conditioner during interior construction and finishing work, or while waxing the floor.</p> <ul style="list-style-type: none"> • Before operating the air conditioner, ventilate the room well after such work is performed. Otherwise, it may cause volatile elements to adhere inside the air conditioner, resulting in water leakage or scattering of dew.
<p>Perform the drainage/piping work securely according to the installation manual.</p> <ul style="list-style-type: none"> • If there is defect in the drainage/piping work, water could drop from the unit, soaking and damaging household goods. 	<p>When there are the ports which are not used, make sure their nuts are tightened securely.</p>
<p>Do not touch the air inlet or the aluminum fins of the outdoor unit.</p> <ul style="list-style-type: none"> • This could cause injury. 	<p>When charging the refrigerant system with additional refrigerant, be sure to use liquid refrigerant. Charge the liquid refrigerant slowly, otherwise the compressor will be locked.</p>
<p>Do not install the outdoor unit where small animals may live.</p> <ul style="list-style-type: none"> • If small animals enter and touch the electric parts inside the unit, it could cause a malfunction, smoke emission, or fire. Also, advise user to keep the area around the unit clean. 	<ul style="list-style-type: none"> • To maintain the high pressure of the gas cylinder, warm the gas cylinder with warm water (under 40°C) during cold season. But never use naked fire or steam.

Note:
 Reusable mechanical connectors and flared joints are not allowed indoors.
 When connecting the refrigerant piping by brazing, rather than using flare connections, complete all brazing prior to connecting indoor unit to outdoor unit.

Optional parts

Contents

① Muffler	×1	② Pipe cover	×2	③ Pipe cover	×1
					

■ Parts to be provided at your site

④ Piping tape	1
---------------	---

Installation

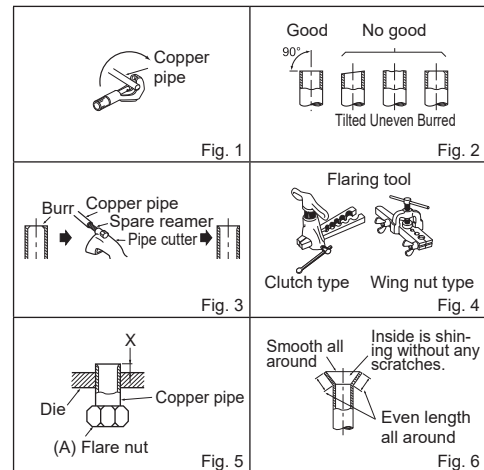
Connection pipe condition

Connection side	Indoor	Outdoor
Connection Gas pipe size	∅9.52	∅9.52

1. Connect the muffler ① to the gas piping within 3 meters from the piping connection port of the outdoor unit outside.
2. The muffler can be connected in any orientation.

Flaring work

3. Cut the copper pipe correctly with a pipe cutter. (Fig. 1, 2)
4. Completely remove all burrs from the cut cross section of pipe. (Fig. 3)
 - Point the copper pipe downward while removing burrs to prevent them from dropping in the pipe.
5. Remove flare nuts (A) and port cap attached to the muffler ①, then put the flare nuts on the pipe with the burrs completely removed. (Not possible to put them on after flaring work.)
6. Perform the flare work (Fig. 4 and 5).
Firmly hold the copper pipe according to the dimensions shown in the table.
Select X mm from the table according to the tool selected.
7. Check the following.
 - Check the flare work based on Fig.6.
 - If the flare work is not proper, cut off the flared section and do flaring work again.

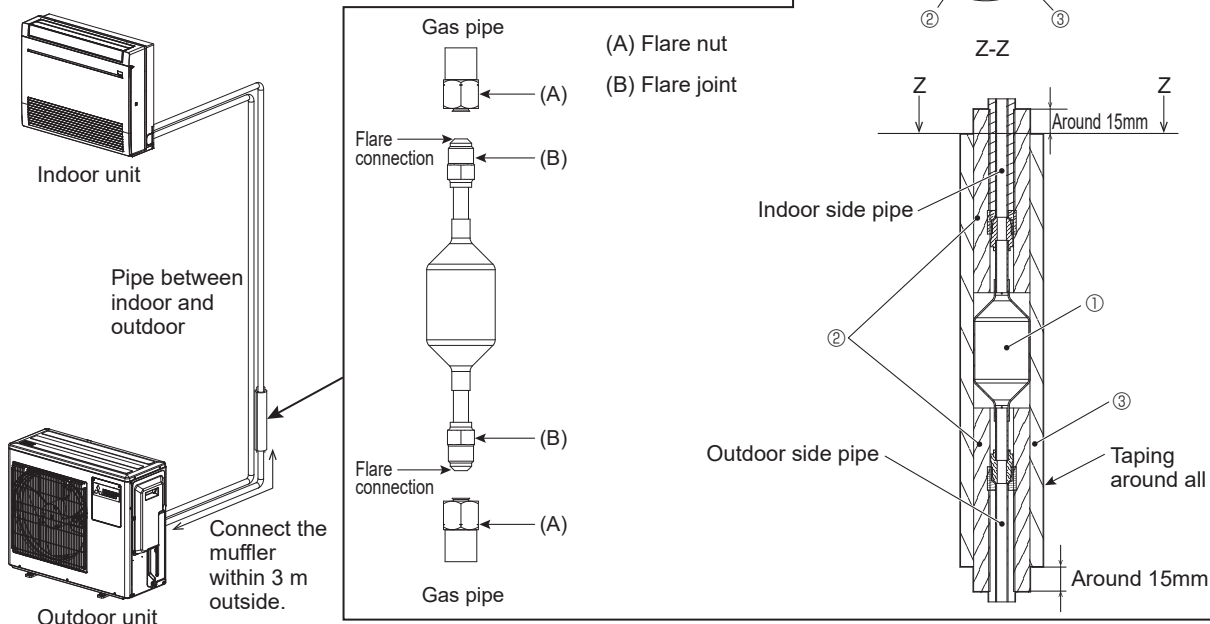
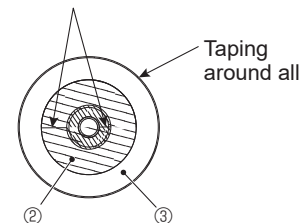


Pipe diameter (mm)	Nut (mm)	X (mm)			Tightening torque	
		Clutch type tool for R32, R410A	Clutch type tool for R22	Wing nut type tool for R22	N·m	kgf·cm
∅9.52 (3/8")	22	0 to 0.5	1.0 to 1.5	1.5 to 2.0	34.4 to 41.2	350 to 420

Pipe connection

8. Align the center of the pipe with that of the pipe at the muffler, then tighten the flare nuts by 3 to 4 turns by hand.
9. Tighten the flare nuts in the range of from 34.4N·m (350kgf·cm) to 41.2 N·m(420kgf·cm).
10. Perform the procedure 3 to 4 for outdoor and indoor side.
11. After connecting the muffler with the piping at an indoor and outdoor unit, cover the muffler and piping joints with the pipe covers ② and ③. (Do not point their slits in the same orientation.)
12. Using the piping tape ④, apply the tape starting from the root of Indoor gas pipe. Tape the pipe cover securely so that there is no clearance between the cover and the parts (muffler etc.) and at the slits. (For the detail, see the following figure.)

No clearance at slit in ② and ③
Do not make their slits to the same orientation.



mitsubishi electric corporation
HEAD OFFICE: TOKYO BUILDING, 2-7-3, MARUNOUCHI, CHIYODA-KU, TOKYO 100-8310, JAPAN