

Air-Conditioners For Building Application

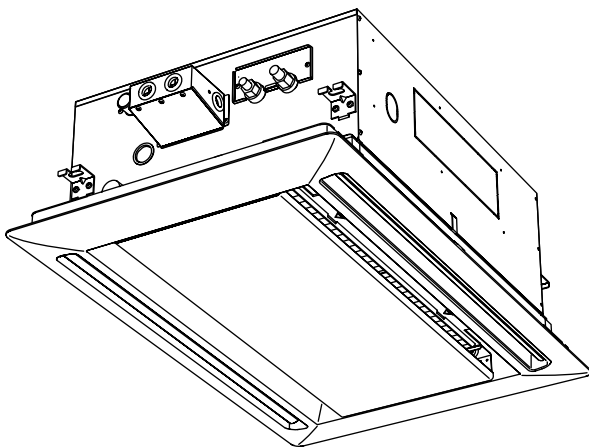
2004

TECHNICAL & SERVICE MANUAL

Series PLFY Ceiling Cassettes

<Indoor unit>

Models **PLFY-P20VLMD-E, PLFY-P63VLMD-E**
PLFY-P25VLMD-E, PLFY-P80VLMD-E
PLFY-P32VLMD-E, PLFY-P100VLMD-E
PLFY-P40VLMD-E, PLFY-P125VLMD-E
PLFY-P50VLMD-E



INDOOR UNIT

CONTENTS

SAFETY PRECAUTIONS	1
1. FEATURES	3
2. PART NAMES AND FUNCTIONS	4
3. SPECIFICATION	6
4. OUTLINES AND DIMENSIONS	8
5. WIRING DIAGRAM	11
6. REFRIGERANT SYSTEM DIAGRAM	13
7. TROUBLE SHOOTING	14
8. DISASSEMBLY PROCEDURE	20

CITY MULTI

For use with the R410A & R407C & R22

SAFETY PRECAUTIONS

1. Before installation and electric work

- ▶ **Before installing the unit, make sure you read all the “Safety precautions”.**
- ▶ **The “Safety precautions” provide very important points regarding safety. Make sure you follow them.**
- ▶ **This equipment may cause the adverse effect on the same supply system.**
- ▶ **Please report to or take consent by the supply authority before connection to the system.**

Symbols used in the text

Warning:

Describes precautions that should be observed to prevent danger of injury or death to the user.

Caution:

Describes precautions that should be observed to prevent damage to the unit.

Symbols used in the illustrations



: Indicates an action that must be avoided.



: Indicates that important instructions must be followed.



: Indicates a part which must be grounded.



: Indicates that caution should be taken with rotating parts. (This symbol is displayed on the main unit label.) <Color: Yellow>



: Beware of electric shock (This symbol is displayed on the main unit label.) <Color: Yellow>

Warning:

Carefully read the labels affixed to the main unit.

Warning:

- **Ask the dealer or an authorized technician to install the air conditioner.**
 - Improper installation by the user may result in water leakage, electric shock, or fire.
- **Install the air unit at a place that can withstand its weight.**
 - Inadequate strength may cause the unit to fall down, resulting in injuries.
- **Use the specified cables for wiring. Make the connections securely so that the outside force of the cable is not applied to the terminals.**
 - Inadequate connection and fastening may generate heat and cause a fire.
- **Prepare for typhoons and other strong winds and earthquakes and install the unit at the specified place.**
 - Improper installation may cause the unit to topple and result in injury.
- **Always use an air cleaner, humidifier, electric heater, and other accessories specified by Mitsubishi Electric.**
 - Ask an authorized technician to install the accessories. Improper installation by the user may result in water leakage, electric shock, or fire.

- **Never repair the unit. If the air conditioner must be repaired, consult the dealer.**
 - If the unit is repaired improperly, water leakage, electric shock, or fire may result.
- **Do not touch the heat exchanger fins.**
 - Improper handling may result in injury.
- **If refrigerant gas leaks during installation work, ventilate the room.**
 - If the refrigerant gas comes into contact with a flame, poisonous gases will be released.
- **Install the air conditioner according to this Installation Manual.**
 - If the unit is installed improperly, water leakage, electric shock, or fire may result.
- **Have all electric work done by a licensed electrician according to “Electric Facility Engineering Standard” and “Interior Wire Regulations” and the instructions given in this manual and always use a special circuit.**
 - If the power source capacity is inadequate or electric work is performed improperly, electric shock and fire may result.
- **Keep the electric parts away from water (washing water etc.).**
 - It might result in electric shock, catching fire or smoke.
- **Securely install the cover of control box and the panel.**
 - If the cover and panel are not installed properly, dust or water may enter the outdoor unit and fire or electric shock may result.
- **When installing and moving the air conditioner to another site, do not charge the it with a refrigerant different from the refrigerant specified on the unit.**
 - If a different refrigerant or air is mixed with the original refrigerant, the refrigerant cycle may malfunction and the unit may be damaged.
- **If the air conditioner is installed in a small room, measures must be taken to prevent the refrigerant concentration from exceeding the safety limit even if the refrigerant should leak.**
 - Consult the dealer regarding the appropriate measures to prevent the safety limit from being exceeded. Should the refrigerant leak and cause the safety limit to be exceeded, hazards due to lack of oxygen in the room could result.
- **When moving and reinstalling the air conditioner, consult the dealer or an authorized technician.**
 - If the air conditioner is installed improperly, water leakage, electric shock, or fire may result.
- **After completing installation work, make sure that refrigerant gas is not leaking.**
 - If the refrigerant gas leaks and is exposed to a fan heater, stove, oven, or other heat source, it may generate noxious gases.
- **Do not reconstruct or change the settings of the protection devices.**
 - If the pressure switch, thermal switch, or other protection device is shorted and operated forcibly, or parts other than those specified by Mitsubishi Electric are used, fire or explosion may result.
- **To dispose of this product, consult your dealer.**
- **Do not use a leak detection additive.**

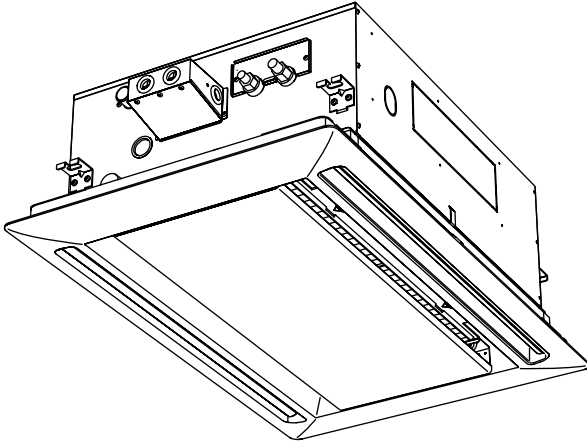
2. Precautions for devices that use R410A or R407C refrigerant

Caution:

- **Do not use the existing refrigerant piping.**
 - The old refrigerant and refrigerator oil in the existing piping contains a large amount of chlorine which may cause the refrigerator oil of the new unit to deteriorate.
- **Use refrigerant piping made of C1220 (Cu-DHP) phosphorus deoxidized copper as specified in the *JIS H3300 "Copper and copper alloy seamless pipes and tubes". In addition, be sure that the inner and outer surfaces of the pipes are clean and free of hazardous sulphur, oxides, dust/dirt, shaving particles, oils, moisture, or any other contaminant.**
 - Contaminants on the inside of the refrigerant piping may cause the refrigerant residual oil to deteriorate.

*JIS: Japanese Industrial Standard
- **Store the piping to be used during installation indoors and keep both ends of the piping sealed until just before brazing. (Store elbows and other joints in a plastic bag.)**
 - If dust, dirt, or water enters the refrigerant cycle, deterioration of the oil and compressor trouble may result.
- **Use ester oil, ether oil or alkylbenzene (small amount) as the refrigerator oil to coat flares and flange connections.**
 - The refrigerator oil will degrade if it is mixed with a large amount of mineral oil.
- **Use liquid refrigerant to fill the system.**
 - If gas refrigerant is used to seal the system, the composition of the refrigerant in the cylinder will change and performance may drop.
- **Do not use a refrigerant other than R410A or R407C.**
 - If another refrigerant (R22, etc.) is used, the chlorine in the refrigerant may cause the refrigerator oil to deteriorate.
- **Use a vacuum pump with a reverse flow check valve..**
 - The vacuum pump oil may flow back into the refrigerant cycle and cause the refrigerator oil to deteriorate.
- **Do not use the following tools that are used with conventional refrigerants.
(Gauge manifold, charge hose, gas leak detector, reverse flow check valve, refrigerant charge base, vacuum gauge, refrigerant recovery equipment)**
 - If the conventional refrigerant and refrigerator oil are mixed in the R410A or R407C, the refrigerant may deteriorate.
 - If water is mixed in the R410A or R407C, the refrigerator oil may deteriorate.
 - Since R410A or R407C does not contain any chlorine, gas leak detectors for conventional refrigerants will not react to it.
- **Do not use a charging cylinder.**
 - Using a charging cylinder may cause the refrigerant to deteriorate.
- **Be especially careful when managing the tools.**
 - If dust, dirt, or water gets in the refrigerant cycle, the refrigerant may deteriorate.

Series PLFY Ceiling Cassettes



Indoor unit

Models	Cooling capacity/Heating capacity
	kW
PLFY-P20VLMD-E	2.2 / 2.5
PLFY-P25VLMD-E	2.8 / 3.2
PLFY-P32VLMD-E	3.6 / 4.0
PLFY-P40VLMD-E	4.5 / 5.0
PLFY-P50VLMD-E	5.6 / 6.3
PLFY-P63VLMD-E	7.1 / 8.0
PLFY-P80VLMD-E	9.0 / 10.0
PLFY-P100VLMD-E	11.2 / 12.5
PLFY-P125VLMD-E	14.0 / 16.0

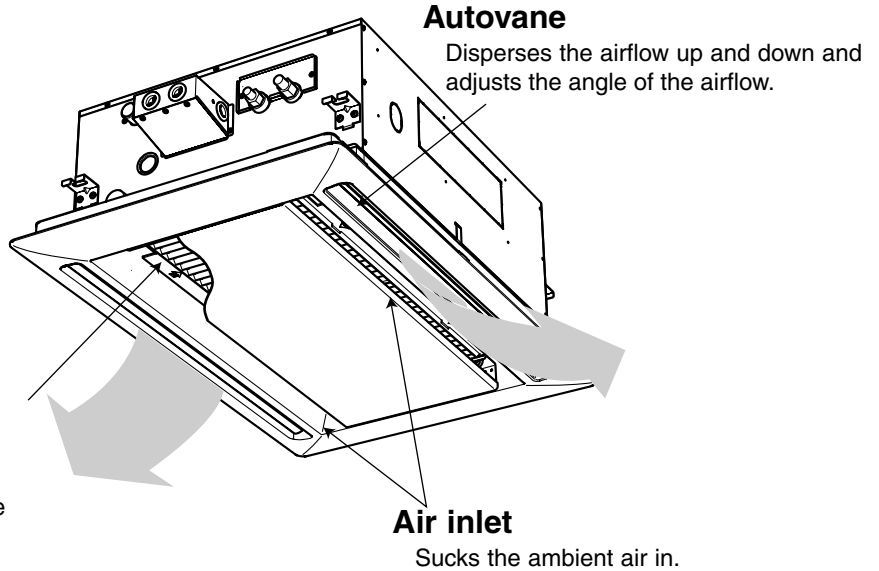
2

PART NAMES AND FUNCTIONS

● Indoor (Main) Unit

Long-life filter

Removes the sucked-in dust and dirt. Since the long-life filter is used as an air filter, it should be cleaned at the beginning of air-cooling and heating seasons. (During seasons with large amounts of dust and dirt, more frequent cleaning are recommended.)

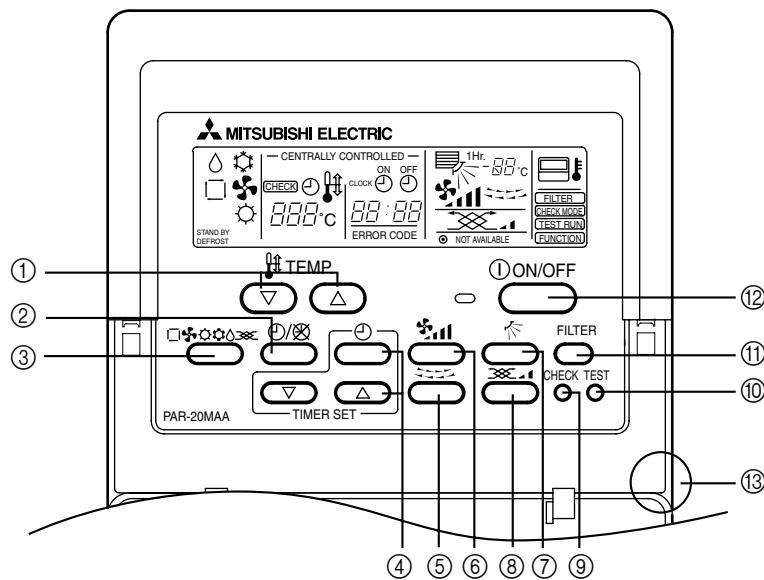


● Remote controller

[PAR-20MAA]

- Once the controls are set, the same operation mode can be repeated by simply pressing the ON/OFF button.

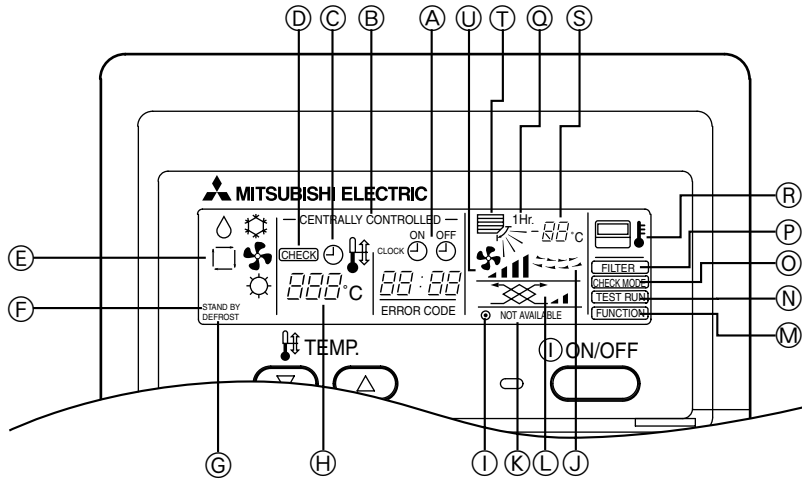
[Operation buttons]



- | | |
|--|---|
| ① [Room temperature adjustment] Button | ⑦ [Up/down airflow direction] Button |
| ② [Timer/continuous] Button | ⑧ [Ventilation] Button |
| ③ [Selecting operation] Button | ⑨ [Checking/built-in] Button |
| ④ [Time selection] Button
[Time-setting] Button | ⑩ [Test run] Button |
| ⑤ [Louver] Button | ⑪ [Filter] Button |
| ⑥ [Fan speed adjustment] Button | ⑫ [ON/OFF] Button |
| | ⑬ Position of built-in room temperature |

- Never expose the remote controller to direct sunlight. Doing so can result in the erroneous measurement of room temperature.
- Never place any obstacle around the lower right-hand section of the remote controller. Doing so can result in the erroneous measurement of room temperature.

[Display]



- Ⓐ Current time/Timer
- Ⓑ Centralized control
- Ⓒ Timer ON
- Ⓓ Abnormality occurs
- Ⓔ Operation mode: ❄️COOL, 💧DRY, 📺AUTO, 🌀FAN, 🔥HEAT
- Ⓕ Preparing for Heating mode
- Ⓖ Defrost mode
- Ⓗ Set temperature
- Ⓘ Power ON
- Ⓙ Louver
- Ⓚ Not available function
- Ⓛ Ventilation
- Ⓜ Function setting mode
- Ⓝ Test run mode
- Ⓞ Error check mode
- Ⓟ Filter sign
- Ⓠ Set effective for 1 hr.
- Ⓡ Sensor position
- Ⓢ Room temperature
- Ⓣ Airflow
- Ⓤ Fan speed

3-1. Specification

			PLFY-P20VLMD-E	PLFY-P25VLMD-E	PLFY-P32VLMD-E	PLFY-P40VLMD-E
Power source			~ 220-240V 50Hz / ~ 220-230V 60Hz			
Cooling capacity	* 1	kW	2.2	2.8	3.6	4.5
	* 2	kcal/h	2,000	2,500	3,150	4,000
Heating capacity	* 1	kW	2.5	3.2	4.0	5.0
Power consumption	Cooling	kW	0.072 / 0.075	0.072 / 0.075	0.072 / 0.075	0.081 / 0.085
	Heating	kW	0.065 / 0.069	0.065 / 0.069	0.065 / 0.069	0.074 / 0.079
Current	Cooling	A	0.36 / 0.37	0.36 / 0.37	0.36 / 0.37	0.40 / 0.42
	Heating	A	0.30 / 0.32	0.30 / 0.32	0.30 / 0.32	0.34 / 0.37
External finish(Munsel No.)			Unit: Galvanizing Decoration Panel: ABS (0.7Y 8.59/0.97) Service Panel: Galvanizing (0.7Y 8.59/0.97)			
Dimension * 3	Height	mm	290 <20>			
	Width	mm	776 <1080>			
	Depth	mm	634 <710>			
Net weight	* 3	kg	23 <6.5>		24 <6.5>	
Heat exchanger			Cross fin			
Fan	Type	Turbo fan×1				
	Airflow rate (Lo-Mid-Hi)	m³/min	6.5-8.0-9.5			7.0-8.5-10.5
	External static pressure	Pa	0			
Motor	Type	Single phase induction motor				
	Output	kW	0.015			
Air filter			PP honeycomb fabric (long life filter)			
Refrigerant pipe dimension	Gas(Flare)	mm	ø 12.7			
	Liquid(Flare)	mm	ø 6.35			
Drain pipe dimension			Unit drain pipe I.D.32 (1-1/4inch)			
Noise level (Lo-Mid-Hi) *4	220V,240V	dB(A)	27-30-33			29-33-36
	230V	dB(A)	28-31-34			30-34-37

			PLFY-P50VLMD-E	PLFY-P63VLMD-E	PLFY-P80VLMD-E	PLFY-P100VLMD-E	PLFY-P125VLMD-E	
Power source			~ 220-240V 50Hz / ~ 220-230V 60Hz					
Cooling capacity	* 1	kW	5.6	7.1	9.0	11.2	14.0	
	* 2	kcal/h	5,000	6,300	8,000	10,000	12,500	
Heating capacity	* 1	kW	6.3	8.0	10.0	12.5	16.0	
Power consumption	Cooling	kW	0.082 / 0.086	0.101 / 0.105	0.147 / 0.156	0.157 / 0.186	0.28 / 0.28	
	Heating	kW	0.075 / 0.080	0.094 / 0.099	0.140 / 0.150	0.150 / 0.180	0.27 / 0.27	
Current	Cooling	A	0.41 / 0.43	0.49 / 0.51	0.72 / 0.74	0.75 / 0.88	1.35 / 1.35	
	Heating	A	0.35 / 0.38	0.43 / 0.46	0.66 / 0.69	0.69 / 0.83	1.33 / 1.33	
External finish(Munsel No.)			Unit: Galvanizing Decoration Panel: ABS (0.7Y 8.59/0.97) Service Panel: Galvanizing (0.7Y 8.59/0.97)					
Dimension * 3	Height	mm	290 <20>					
	Width	mm	946 <1250>		1446 <1750>		1708 <2010>	
	Depth	mm	634 <710>				606 <710>	
Net weight	* 3	kg	27 <7.5>	28 <7.5>	44 <12.5>	47 <12.5>	56 <13.0>	
Heat exchanger			Cross fin					
Fan	Type	Turbo fan×1					Turbo fan×2	Sirocco fan×4
	Airflow rate (Lo-Mid-Hi)	m³/min	9.0-11.0-12.5	10.0-13.0-15.5	15.5-18.5-22.0	17.5-21.0-25.0	24.0-27.0-30.0-33.0 (Lo-Mid2-Mid1-Hi)	
	External static pressure	Pa	0					
Motor	Type	Single phase induction motor						
	Output	kW	0.020		0.020 (at 240V)	0.030 (at 240V)	0.078×2(at 240V)	
Air filter			PP honeycomb fabric (long life filter)				Synthetic fiber unwoven cloth filter (long life)	
Refrigerant pipe dimension	Gas(Flare)	mm	ø 12.7 (R410A) ø 15.88 (R22,R407C)	ø 15.88		ø 15.88 (R410A) ø 19.05 (R22,R407C)		
	Liquid(Flare)	mm	ø 6.35 (R410A) ø 9.52 (R22,R407C)	ø 9.52				
Drain pipe dimension			Unit drain pipe I.D.32 (1-1/4inch)					
Noise level (Lo-Mid-Hi) *4	220V,240V	dB(A)	31-34-37	32-37-39	33-36-39	36-39-42	40-42-44-46 (Lo-Mid2-Mid1-Hi)	
	230V	dB(A)	32-35-38	33-38-40	34-37-40	37-41-43		

- Note: * 1 Cooling/Heating capacity indicates the maximum value at operation under the following condition.
Cooling : Indoor 27°CDB/19°CWB,Outdoor 35°CDB
Heating : Indoor 20°CDB,Outdoor 7°CDB/6°CWB
* 2 Cooling capacity indicates the maximum value at operation under the following condition.
Cooling : Indoor 27°CDB/19.5°CWB,Outdoor 35°CDB (WR2: water 30°C)
* 3 The figure in < > indicates panel's
* 4 It is measured in anechoic room.

3-2. Electrical parts specifications

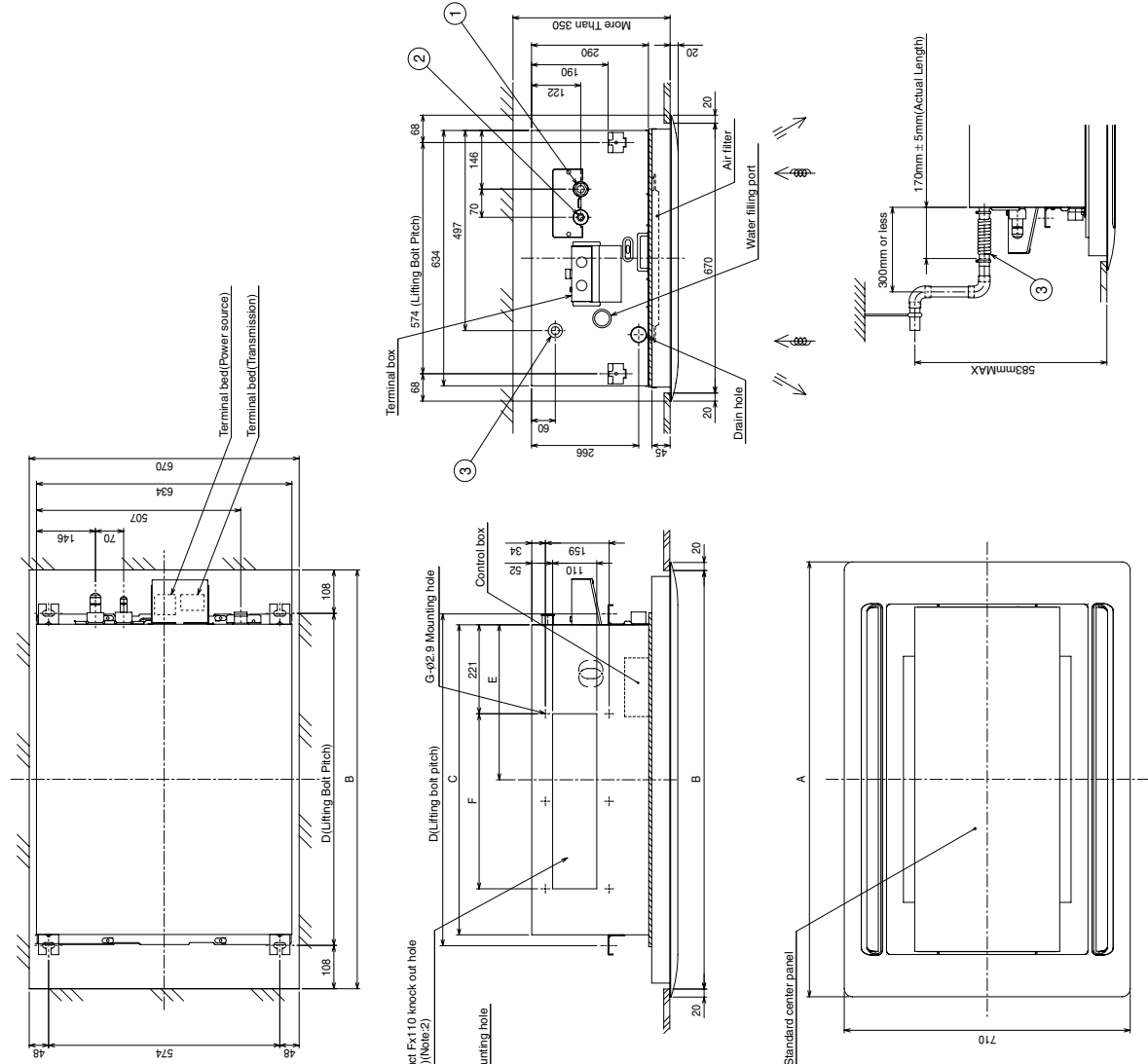
Model Parts name	Symbol	PLFY-P20 VLMD-E	PLFY-P25 VLMD-E	PLFY-P32 VLMD-E	PLFY-P40 VLMD-E	PLFY-P50 VLMD-E	PLFY-P63 VLMD-E	PLFY-P80 VLMD-E	PLFY-P100 VLMD-E	PLFY-P125 VLMD-E	
Transformer	T	(Primary) 220-240V 50Hz, 220-230V 60Hz (Secondary) 23.2V 1.1A									(Primary) 50/60Hz 220-240V (Secondary) 18.4V 1.7A
Room temperature thermistor	TH21	Resistance 0°C/15kΩ, 10°C/9.6kΩ, 20°C/6.3kΩ, 25°C/5.4kΩ, 30°C/4.3kΩ, 40°C/3.0kΩ									
Liquid pipe thermistor	TH22	Resistance 0°C/15kΩ, 10°C/9.6kΩ, 20°C/6.3kΩ, 25°C/5.4kΩ, 30°C/4.3kΩ, 40°C/3.0kΩ									
Gas pipe thermistor	TH23	Resistance 0°C/15kΩ, 10°C/9.6kΩ, 20°C/6.3kΩ, 25°C/5.4kΩ, 30°C/4.3kΩ, 40°C/3.0kΩ									
Fuse (Indoor controller board)	F901	250V 6.3A									
Fan motor (with Inner-thermostat)	MF1	6-pole OUTPUT 15W			6-pole OUTPUT 20W			6-pole OUTPUT 30W	4-pole OUTPUT 78W		
Inner-thermostat (Fan motor)	-	OFF 145±8°C ON 88±15°C								OFF 130°C±5°C ON 90°C±20°C	
Fan motor capacitor	C1	1.3μF x 440V			1.5μF x 440V	1.7μF x 440V	2.2μF x 440V	1.5μF x 440V	2.0μF x 440V	5.0μF x 440V	
Vane motor	MV	DC12V Stepping motor									
Drain-up mechanism	DP	INPUT 6.4/5.5W 400cm ³ /min								INPUT 8/7.5W 400cm ³ /min	
Drain sensor	DS	Resistance 0°C/6.0kΩ, 10°C/3.9kΩ, 20°C/2.6kΩ, 25°C/2.2kΩ, 30°C/1.8kΩ, 40°C/1.3kΩ									
Linear expansion valve	LEV	DC12V Stepping motor drive port dimension ø 3.2 (0~2000pulse) (0~1800pulse <at R410A outdoor unit> 0~2000pulse <at the other outdoor unit>)					DC12V Stepping motor drive port dimension ø 5.2 (0~1800pulse <at R410A outdoor unit> 0~2000pulse <at the other outdoor unit>)				
Power supply terminal bed	TB2	(L,N,⊕) 330V 30A									
Transmission terminal bed	TB5 TB15	(M1,M2,S),(1,2) 300V 10A									

4

OUTLINES AND DIMENSIONS

PLFY-P20-25-32-40-50-63-80-100VLM-D-E

Unit : mm



- Note: 1. Use M10 screw for the lifting bolt (field supply).
 2. It is available to connect the branch duct on right and left side both.
 3. On Model .50, 100, you would use flare nut packed with the Indoor Unit, when connecting the Outdoor Unit for R407C, R22.
 4. In order to increase the strength of the flare nut, the size of some of them has been increased.
- | | | | |
|--|--|---------|--|
| | | ① | |
| | | ② | |
| | | ① | |
| | | ② | |
| | | ① | |
| | | ② | |
| | | ① | |
| | | ② | |
| | | ③ | |
- <flare>
 Gas pipe:LP ø12.7
 Liquid pipe:HP ø6.35
 Model 20-25-32-40 Gas pipe:LP ø12.7<R410A outdoor unit>
 50 Liquid pipe:HP ø6.35<R410A outdoor unit>
 ø9.52<The other outdoor unit>
 Model 63-80 Gas pipe:LP ø15.88
 Liquid pipe:HP ø9.52
 Model 100 Gas pipe:LP ø15.88<R410A outdoor unit>
 Liquid pipe:HP ø9.52<The other outdoor unit>
 Drain hose VP-25<flexible joint> (accessory)

Model	A	B	C	D	E	F	G	H(Liquid)	H(Gas)
PLFY-P20VLM-D-E	1080	1040	776	824	388	217.5X2	6	17	27
PLFY-P25VLM-D-E						=435			
PLFY-P32VLM-D-E									
PLFY-P40VLM-D-E									
PLFY-P50VLM-D-E	1250	1210	946	994	473			22	29
PLFY-P63VLM-D-E									
PLFY-P80VLM-D-E	1750	1710	1446	1494	723	188.5X4	10	22	36
PLFY-P100VLM-D-E						=754			

PLFY-P125VLMD-E

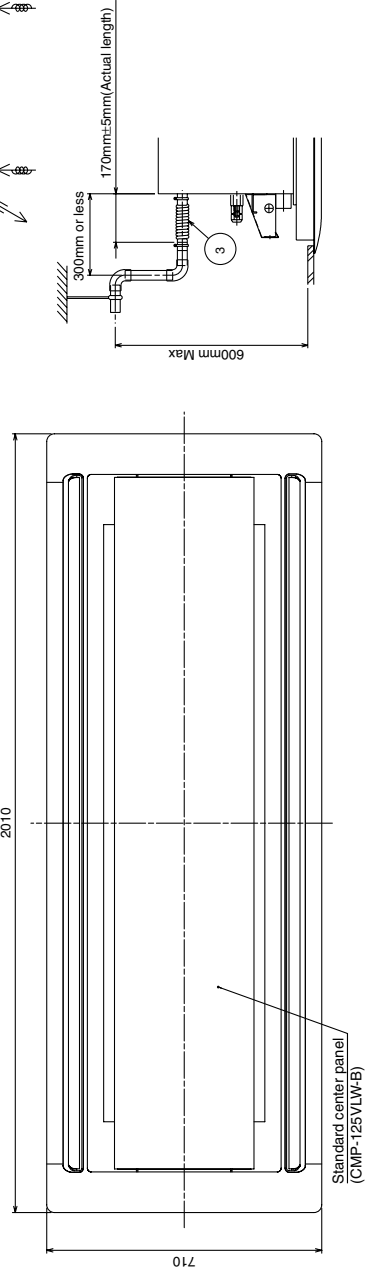
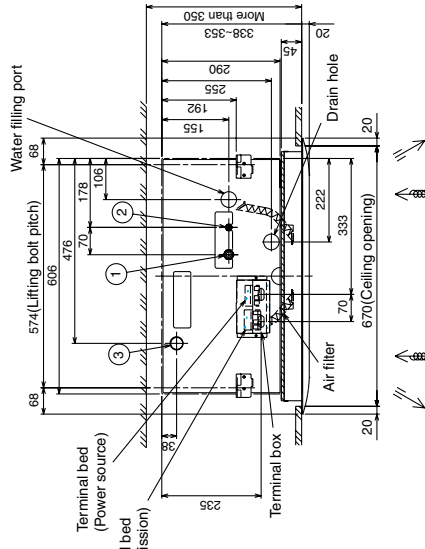
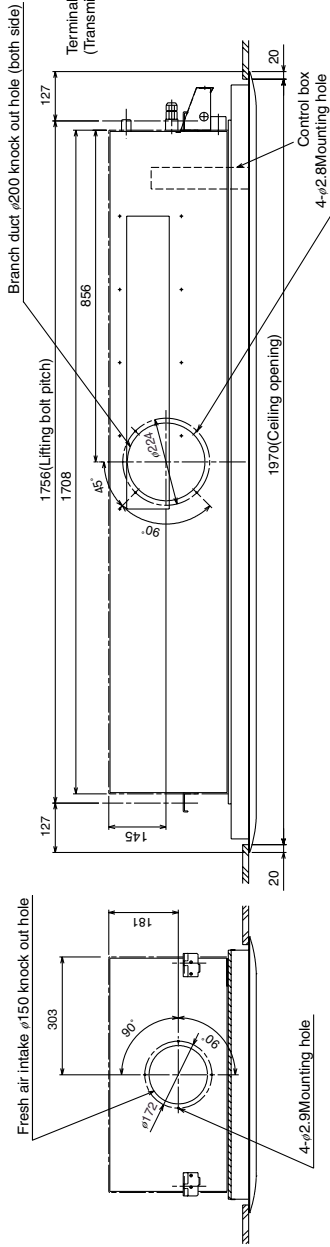
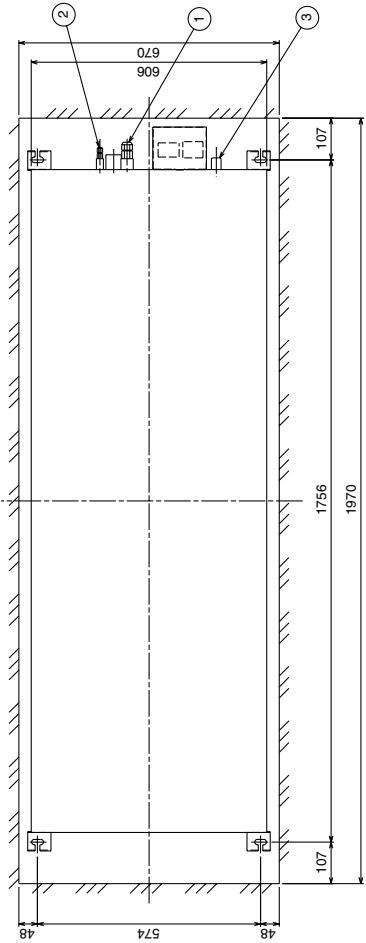
Unit : mm

Note: 1. Use M10 screw for the lifting bolt (field supply).
 2. On this model, you would use flare nut packed with the Indoor Unit, when connecting the Outdoor Unit for R407C, R22.
 3. In order to increase the strength of the flare nut, the size of some of them has been increased.



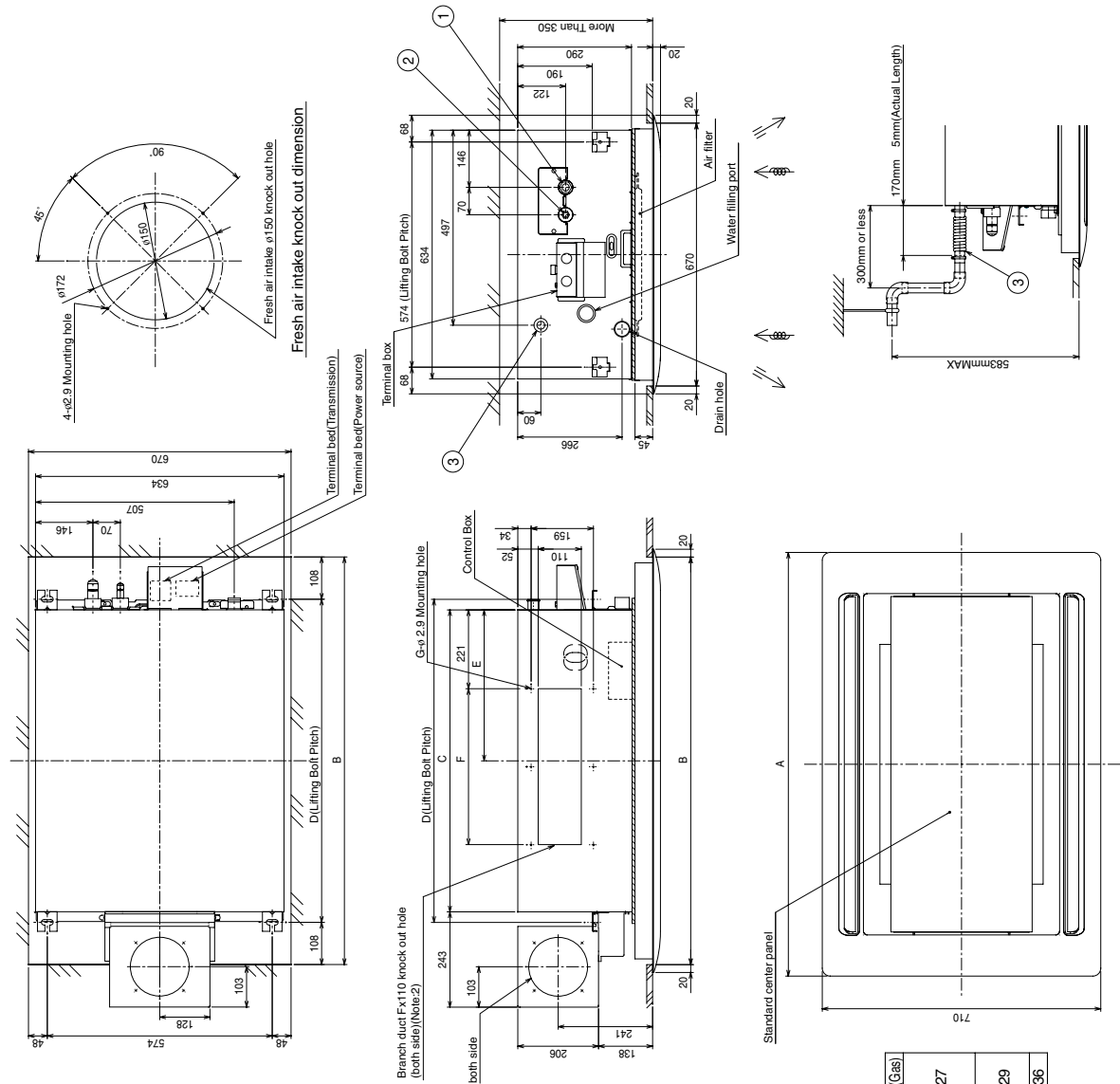
Model	A(Liquid)	A(Gas)
PLFY-P125VLMD-E	22	36

- <flare>
- Gas pipe:LP ϕ 15.88<R410A outdoor unit> ①
- ϕ 19.05<The other outdoor unit> ②
- Liquid pipe:HP ϕ 9.52 ③
- Drain hose VP-25-flexible joints- (accessory) ③



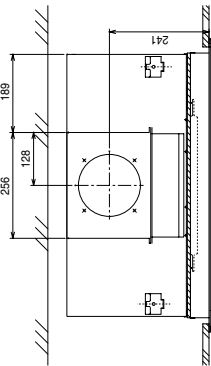
PLFY-P20-25-32-40-50-63-80-100VLM-D-E with OA duct flange

Unit : mm



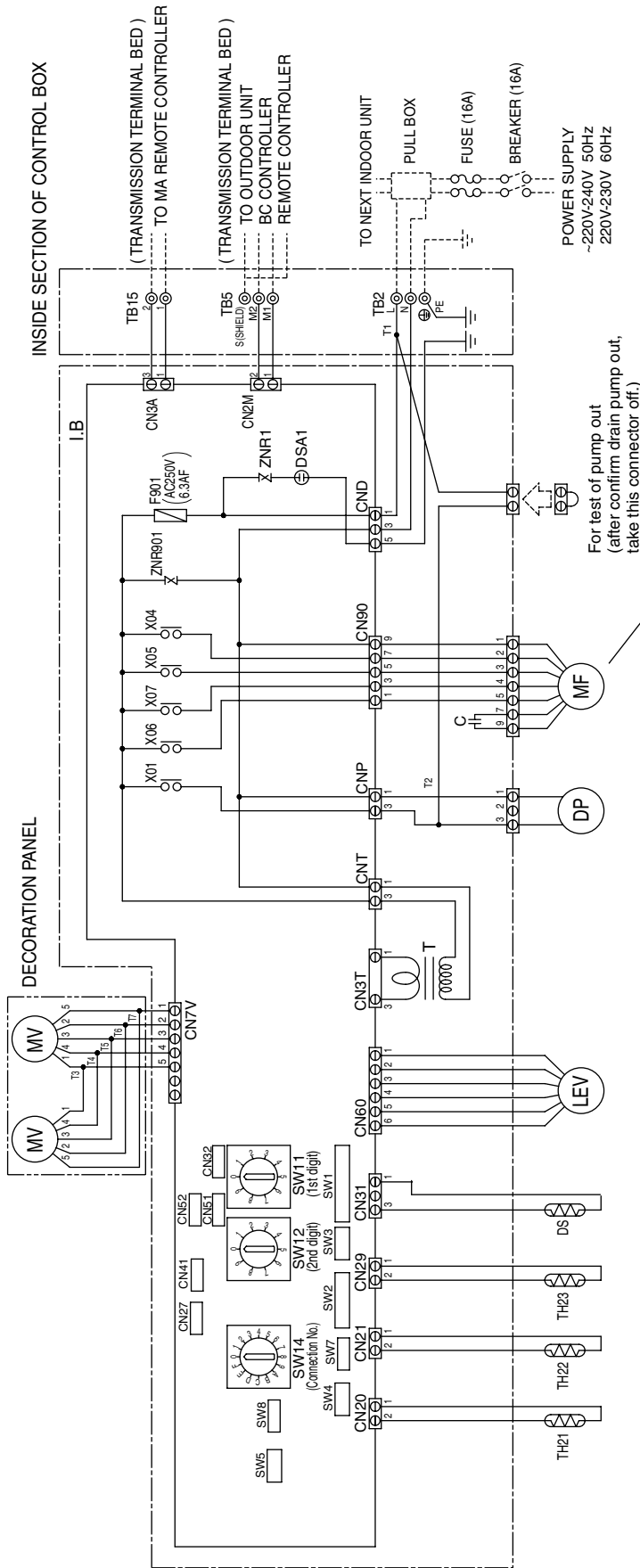
Note: 1. Use M10 screw for the lifting bolt (field supply).
 2. It is available to connect the branch duct on right and left side both.
 3. On Model :50, 100, you would use flare nut packed with the Indoor Unit, when connecting the Outdoor Unit for R407C, R22.
 4. In order to increase the strength of the flare nut, the size of some of them has been increased.

- Model 20-25-32-40 <flare> Gas pipe:LP $\phi 12.7$
- Liquid pipe:HP $\phi 6.35$
- Model 50 Gas pipe:LP $\phi 12.7$ <R410A outdoor unit>
- Liquid pipe:HP $\phi 15.88$ <The other outdoor unit>
- Model 63-80 Gas pipe:LP $\phi 15.88$ <The other outdoor unit>
- Liquid pipe:HP $\phi 6.35$ <R410A outdoor unit>
- Model 100 Gas pipe:LP $\phi 9.52$ <The other outdoor unit>
- Liquid pipe:HP $\phi 15.88$
- Drain hose VP-25<flexible joint> (accessory) $\phi 9.52$



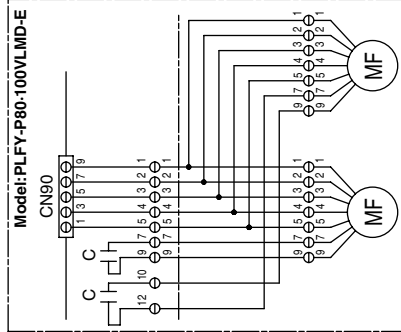
Model	A	B	C	D	E	F	G	H(Liquid)	I(Gas)
PLFY-P20VLM-D-E	1080	1040	776	824	388	217.5x2	6	17	27
PLFY-P25VLM-D-E						=435			
PLFY-P32VLM-D-E									
PLFY-P40VLM-D-E									
PLFY-P50VLM-D-E	1250	1210	946	994	473			22	29
PLFY-P63VLM-D-E									
PLFY-P80VLM-D-E	1750	1710	1446	1494	723	188.5x4	10	22	36
PLFY-P100VLM-D-E						=754			

PLFY-P20-25-32-40-50-63-80-100VLM-D-E



For test of pump out (after confirm drain pump out, take this connector off.)

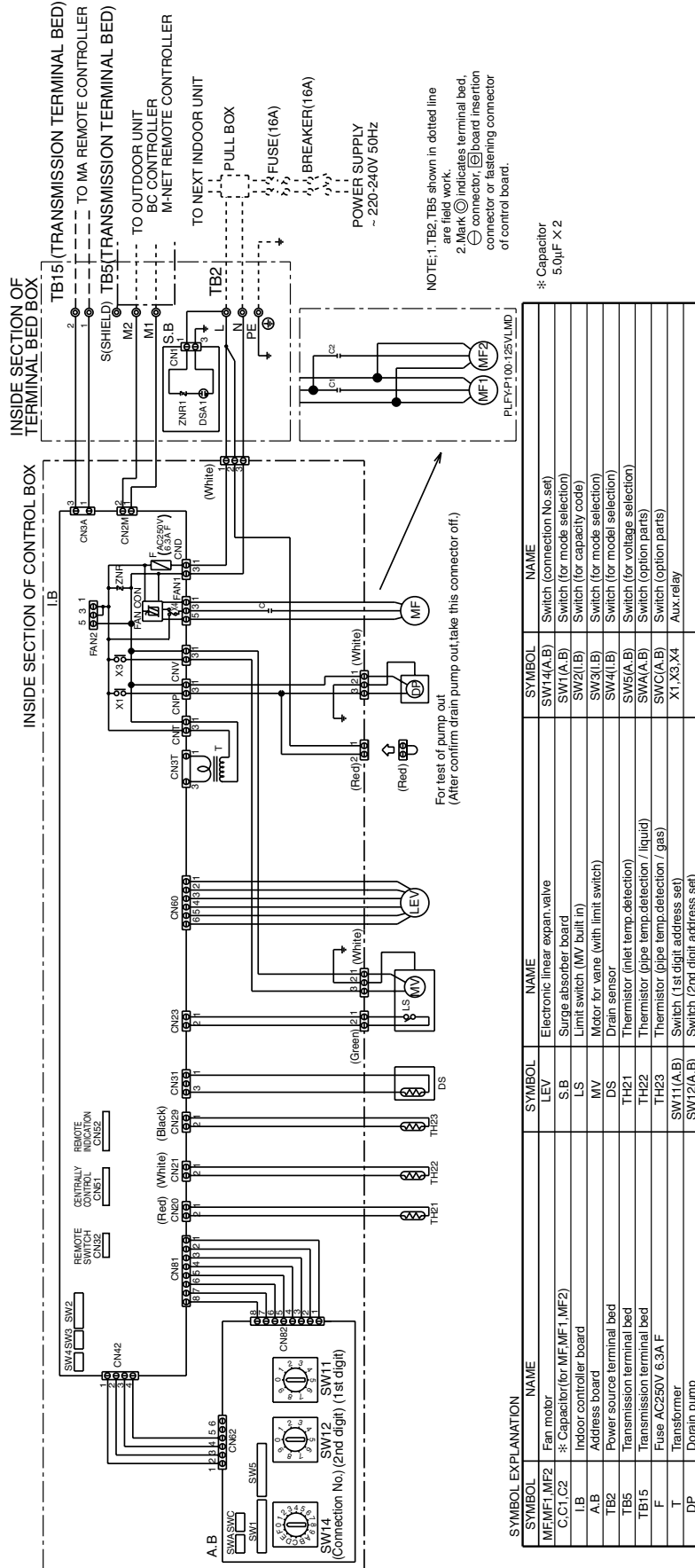
NOTE : 1. TB2, TB5, and TB15 shown in dotted line are field work.
 2. Mark ⊕ indicates terminal bed, ⊙ connector, ⊠ board insertion connector or fastening connector of control board.



SYMBOL EXPLANATION

SYMBOL	NAME	SYMBOL	NAME	SYMBOL	NAME
MF	Fan motor	CN27	Connector (Damper)	SW11	Switch (1st digit address set)
C	Capacitor(for MF)	CN32	Connector (Centrally control)	SW12	Switch (2nd digit address set)
I.B	Indoor controller board	CN41	Connector (HA terminal-A)	SW14	Switch (connection No.set)
TB2	Power source terminal bed	CN51	Connector (Centrally control)	SW1	Switch (for mode selection 1)
TB5	Transmission terminal bed	CN52	Connector (Remote indication)	SW2	Switch (for capacity code)
TB15	MA Remote controller terminal bed	X01	Aux.relay (Drain pump)	SW3	Switch (for mode selection 2)
F901	Fuse (6.3A/6A)	X04	Aux.relay (L notch:240V)	SW4	Switch (for model selection)
ZNR1,ZNR901	Varistor	X05	Aux.relay (M/L notch:240V/220-230V)	SW5	Switch (for voltage selection)
T	Transformer	X06	Aux.relay (H notch:220-230V)	SW7	Switch (for model selection)
DP	Drain pump	X07	Aux.relay (H/M notch:240V/220-230V)	SW8	Switch (for mode selection 3)
LEV	Electronic linear expan.valve	TH21	Thermistor (inlet temp.detection)	T1-T7	Terminal
DS	Drain sensor	TH22	Thermistor (pipe temp.detection/liquid)		
MV	Motor for vane	TH23	Thermistor (pipe temp.detection/gas)		

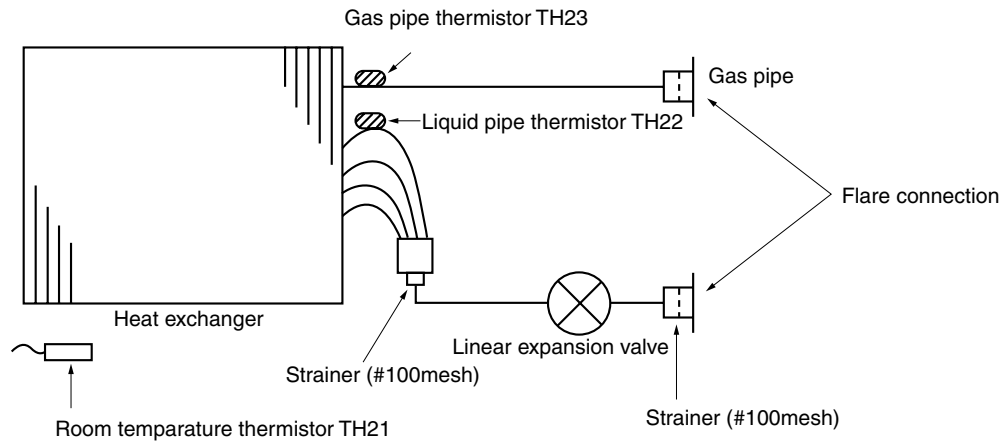
PLFY-P125VLM-D-E



SYMBOL	NAME	SYMBOL	NAME	SYMBOL	NAME
MF1, MF2	Fan motor	LEV	Electronic linear expansion valve	SW14(A,B)	Switch (connection No. set)
C, C1, C2	* Capacitor (for MF1, MF2)	SB	Surge absorber board	SW1(A,B)	Switch (for mode selection)
I, B	Indoor controller board	LS	Limit switch (MV built in)	SW2(L,B)	Switch (for capacity code)
A, B	Address board	MV	Motor for valve (with limit switch)	SW3(L,B)	Switch (for mode selection)
TB2	Power source terminal bed	DS	Drain sensor	SW4(L,B)	Switch (for model selection)
TB15	Transmission terminal bed	TH21	Thermistor (inlet temp. detection)	SW5(A,B)	Switch (for voltage selection)
T	Fuse AC250V 6.3A F	TH22	Thermistor (pipe temp. detection / liquid)	SW6(A,B)	Switch (option parts)
DP	Dorain pump	TH23	Thermistor (pipe temp. detection / gas)	SWC(A,B)	Switch (option parts)
		SW12(A,B)	Switch (2nd digit address set)	X1, X3, X4	Aux. relay

6

REFRIGERANT SYSTEM DIAGRAM



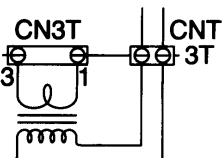
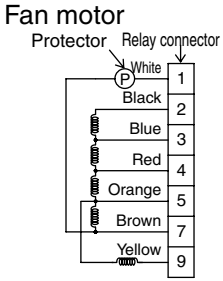
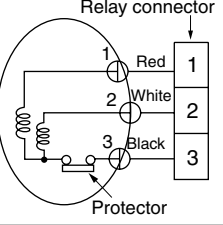
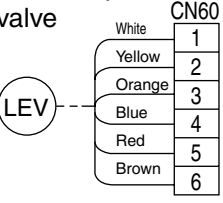
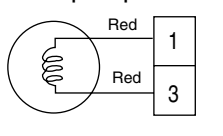
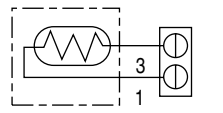
Item \ Capacity	PLFY-P20,25,32,40VLMD-E	PLFY-P50VLMD-E
Gas pipe	ø 12.7 <1/2F>	ø 12.7 <1/2F> (R410A) ø 15.88 <5/8F> (R22,R407C)
Liquid pipe	ø 6.35 <1/4F>	ø 6.35 <1/4F> (R410A) ø 9.52 <3/8F> (R22,R407C)

Item \ Capacity	PLFY-P63,80VLMD-E	PLFY-P100,125VLMD-E
Gas pipe	ø 15.88 <5/8F>	ø 15.88 <5/8F> (R410A) ø 19.05 <3/4F> (R22,R407C)
Liquid pipe	ø 9.52 <3/8F>	ø 9.52 <3/8F>

7

TROUBLE SHOOTING

7-1. Simple check of main components

Parts name	Check points																														
Room temperature thermistor (TH21)	Disconnect the connector, then measure the resistance using a tester. (Surrounding temperature 10°C to 30°C)																														
Liquid pipe thermistor (TH22)	<table border="1"> <tr> <th>Normal</th> <th>Abnormal</th> </tr> <tr> <td>4.3kΩ~9.6kΩ</td> <td>Open or short</td> </tr> </table>	Normal	Abnormal	4.3kΩ~9.6kΩ	Open or short																										
Normal	Abnormal																														
4.3kΩ~9.6kΩ	Open or short																														
Gas pipe thermistor (TH23)	(Refer to the thermistor)																														
Power transformer 	Disconnect the connector and measure the resistance using a tester. (Surrounding temperature: 25°C) <table border="1"> <tr> <th></th> <th>Normal</th> <th>Abnormal</th> </tr> <tr> <td>CNT(1)~(3)</td> <td>App. 112.5Ω (Model:20~100) App. 15Ω (Model:125)</td> <td rowspan="2">Open or short</td> </tr> <tr> <td>CN3T(1)~(3)</td> <td>App. 1.2Ω (Model:20~100) App. 4Ω (Model:125)</td> </tr> </table>		Normal	Abnormal	CNT(1)~(3)	App. 112.5Ω (Model:20~100) App. 15Ω (Model:125)	Open or short	CN3T(1)~(3)	App. 1.2Ω (Model:20~100) App. 4Ω (Model:125)																						
	Normal	Abnormal																													
CNT(1)~(3)	App. 112.5Ω (Model:20~100) App. 15Ω (Model:125)	Open or short																													
CN3T(1)~(3)	App. 1.2Ω (Model:20~100) App. 4Ω (Model:125)																														
Vane motor	Measure the resistance between the terminals using a tester. (Surrounding temperature: 20°C to 30°C) <table border="1"> <tr> <th></th> <th></th> <th>Normal</th> <th>Abnormal</th> </tr> <tr> <td rowspan="4">Model:20~100</td> <td>1-2</td> <td rowspan="4">App. 300Ω</td> <td rowspan="4">Open or short</td> </tr> <tr> <td>1-3</td> </tr> <tr> <td>1-4</td> </tr> <tr> <td>1-5</td> </tr> <tr> <td>Model:125</td> <td>-</td> <td>App. 18kΩ</td> <td></td> </tr> </table>			Normal	Abnormal	Model:20~100	1-2	App. 300Ω	Open or short	1-3	1-4	1-5	Model:125	-	App. 18kΩ																
		Normal	Abnormal																												
Model:20~100	1-2	App. 300Ω	Open or short																												
	1-3																														
	1-4																														
	1-5																														
Model:125	-	App. 18kΩ																													
Fan motor Protector Relay connector 	Measure the resistance between the terminals using a tester. (Surrounding temperature: 20°C) <table border="1"> <tr> <th></th> <th>20 to 40</th> <th>50, 63</th> <th>80</th> <th>100</th> </tr> <tr> <td>(1)-(2) White-Black</td> <td>517.6Ω</td> <td>369.6Ω</td> <td>411Ω</td> <td>462.5Ω</td> </tr> <tr> <td>(1)-(3) White-Blue</td> <td>420.6Ω</td> <td>310.1Ω</td> <td>366.4Ω</td> <td>397.7Ω</td> </tr> <tr> <td>(1)-(4) White-Red</td> <td>352.2Ω</td> <td>268.9Ω</td> <td>328.7Ω</td> <td>341.8Ω</td> </tr> <tr> <td>(1)-(5) White-Orange</td> <td>304Ω</td> <td>229Ω</td> <td>290Ω</td> <td>308Ω</td> </tr> <tr> <td>(1)-(9) White-Yellow</td> <td>547Ω</td> <td>431Ω</td> <td>521Ω</td> <td>553Ω</td> </tr> </table>		20 to 40	50, 63	80	100	(1)-(2) White-Black	517.6Ω	369.6Ω	411Ω	462.5Ω	(1)-(3) White-Blue	420.6Ω	310.1Ω	366.4Ω	397.7Ω	(1)-(4) White-Red	352.2Ω	268.9Ω	328.7Ω	341.8Ω	(1)-(5) White-Orange	304Ω	229Ω	290Ω	308Ω	(1)-(9) White-Yellow	547Ω	431Ω	521Ω	553Ω
	20 to 40	50, 63	80	100																											
(1)-(2) White-Black	517.6Ω	369.6Ω	411Ω	462.5Ω																											
(1)-(3) White-Blue	420.6Ω	310.1Ω	366.4Ω	397.7Ω																											
(1)-(4) White-Red	352.2Ω	268.9Ω	328.7Ω	341.8Ω																											
(1)-(5) White-Orange	304Ω	229Ω	290Ω	308Ω																											
(1)-(9) White-Yellow	547Ω	431Ω	521Ω	553Ω																											
Fan motor Relay connector 	Measure the resistance between the terminals using a tester. <table border="1"> <tr> <th>Motor terminal or Relay connector</th> <th>Normal</th> <th>Abnormal</th> </tr> <tr> <td></td> <td>125</td> <td rowspan="3">Open or short</td> </tr> <tr> <td>Red-Black</td> <td>40.5Ω</td> </tr> <tr> <td>White-Black</td> <td>48.8Ω</td> </tr> </table>	Motor terminal or Relay connector	Normal	Abnormal		125	Open or short	Red-Black	40.5Ω	White-Black	48.8Ω																				
Motor terminal or Relay connector	Normal	Abnormal																													
	125	Open or short																													
Red-Black	40.5Ω																														
White-Black	48.8Ω																														
Linear expansion valve LEV CN60 	Disconnect the connector then measure the resistance valve using a tester. (Surrounding temperature: 20°C) <table border="1"> <tr> <th colspan="4">Normal</th> <th>Abnormal</th> </tr> <tr> <td>(1)-(5) White-Red</td> <td>(2)-(6) Yellow-Blown</td> <td>(3)-(5) Orange-Red</td> <td>(4)-(6) Blue-Brown</td> <td rowspan="2">Open or short</td> </tr> <tr> <td colspan="4">150Ω±10%</td> </tr> </table>	Normal				Abnormal	(1)-(5) White-Red	(2)-(6) Yellow-Blown	(3)-(5) Orange-Red	(4)-(6) Blue-Brown	Open or short	150Ω±10%																			
Normal				Abnormal																											
(1)-(5) White-Red	(2)-(6) Yellow-Blown	(3)-(5) Orange-Red	(4)-(6) Blue-Brown	Open or short																											
150Ω±10%																															
Drain-pump 	Measure the resistance between the terminals using a tester. (Surrounding temperature: 20°C to 30°C) <table border="1"> <tr> <th>Normal</th> <th>Abnormal</th> </tr> <tr> <td>572Ω (Model:20~100)</td> <td rowspan="2">Open or short</td> </tr> <tr> <td>430Ω (Model:125)</td> </tr> </table>	Normal	Abnormal	572Ω (Model:20~100)	Open or short	430Ω (Model:125)																									
Normal	Abnormal																														
572Ω (Model:20~100)	Open or short																														
430Ω (Model:125)																															
Drain sensor 	Measure the resistance between the terminals using a tester. <p>0°C/6.0kΩ, 10°C/3.9kΩ 20°C/2.6kΩ, 25°C/2.2kΩ 30°C/1.8kΩ, 40°C/1.3kΩ</p>																														

<Table of thermistor characteristics>

Thermistor (piping temperature detection, room temperature detection)

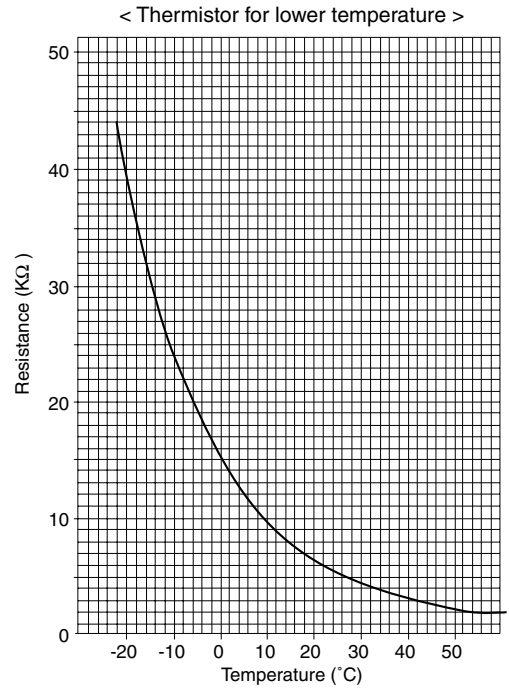
● Table of thermistor resistance

Thermistor $R_0 = 15k\Omega \pm 3\%$
 B constant = $3480k\Omega \pm 2\%$

Thermistor $R_0 = 15k\Omega \pm 3\%$
 Fixed number of $B = 3480k\Omega \pm 2\%$

$$R_t = 15 \exp \left\{ 3480 \left(\frac{1}{273+t} - \frac{1}{273} \right) \right\}$$

0°C	15kΩ
10°C	9.6kΩ
20°C	6.3kΩ
25°C	5.2kΩ
30°C	4.3kΩ
40°C	3.0kΩ

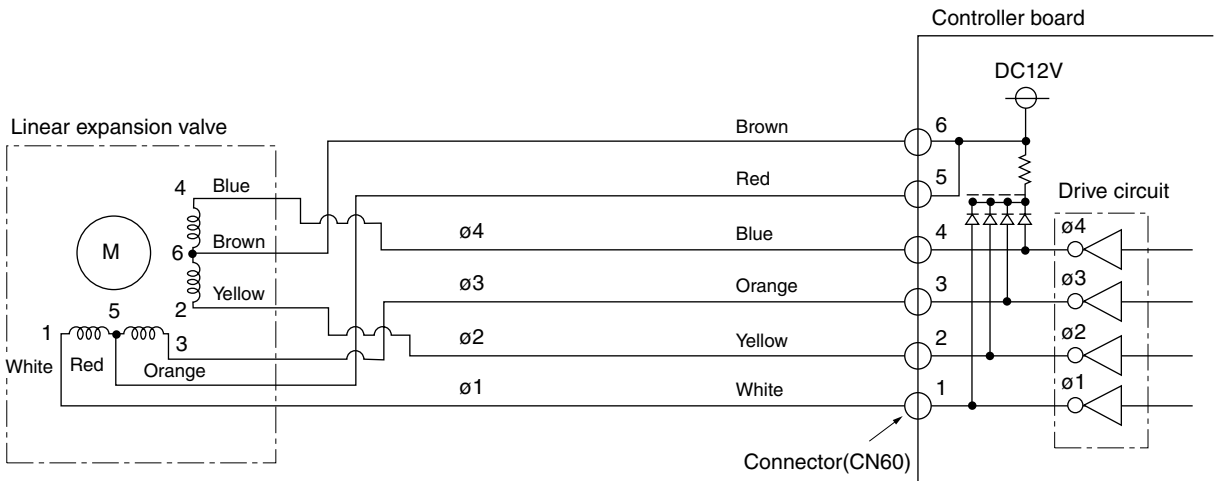


Linear expansion valve

① **Operation summary of the linear expansion valve.**

- Linear expansion valve open/close through stepping motor after receiving the pulse signal from the indoor controller board.
- Valve position can be changed in proportion to the number of pulse signal.

<Connection between the indoor controller board and the linear expansion valve>



<Output pulse signal and the valve operation>

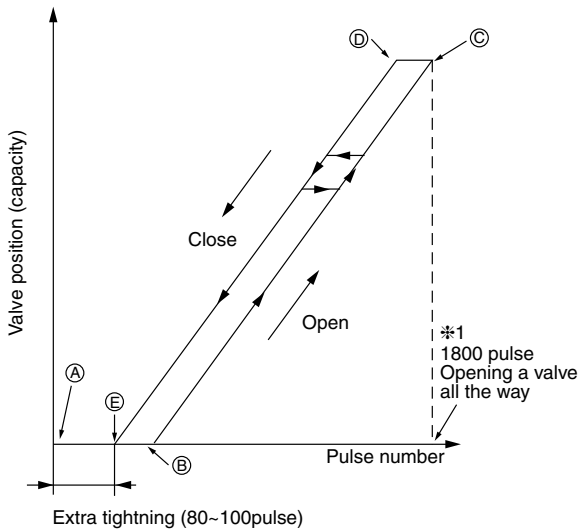
Output (Phase)	Output			
	1	2	3	4
ø1	ON	OFF	OFF	ON
ø2	ON	ON	OFF	OFF
ø3	OFF	ON	ON	OFF
ø4	OFF	OFF </td <td>ON</td> <td>ON</td>	ON	ON

Closing a valve : 1 → 2 → 3 → 4 → 1
 Opening a valve : 4 → 3 → 2 → 1 → 4

The output pulse shifts in above order.

- * 1. When linear expansion valve operation stops, all output phase become OFF.
- 2. At phase interruption or when phase does not shift in order, motor does not rotate smoothly and motor will locks and vibrates.

② Linear expansion valve operation



- * When the switch is turned on, 2200 pulse closing valve signal will be send till it goes to A point in order to define the valve position.

When the valve move smoothly, there is no noise or vibration occurring from the linear expansion valve : however, when the pulse number moves from E to A or when the valve is locked, more noise can be heard than normal situation.

- * Noise can be detected by placing the ear against the screw driver handle while putting the screw driver to the linear expansion valve.

- *1:1800pulse at R410A outdoor unit.
2000pulse at the other outdoor unit.

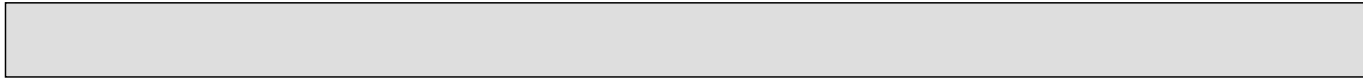
③ Trouble shooting

Symptom	Check points	Countermeasures
Operation circuit failure of the micro processor.	Disconnect the connector on the controller board, then connect LED for checking. 1kΩ LED	Exchange the indoor controller board at drive circuit failure.
Linear expansion valve mechanism is locked.	Motor will idle and make ticking noise when motor is operated while the linear expansion valve is locked. This ticking sound is the sign of the abnormality.	Exchange the linear expansion vale.
Short or breakage of the motor coil of the linear expansion valve.	Measure the resistance between the each coil (red-white, red-orange, brown-yellow, brown-blue) using a tester. It is normal if the resistance is in the range of $150\Omega \pm 10\%$.	Exchange the linear expansion valve.
Valve doesn't close completely (thermistor leaking).	To check the linear expansion valve, operate the indoor unit in fan mode and at the same time operate other indoor units in cooling mode, then check the pipe temperature <liquid pipe temperature> of the indoor unit by the outdoor multi controller board operation monitor. During fan operation, linear expansion valve is closed completely and if there are some leaking, detecting temperature of the thermistor will go lower. If the detected temperature is much lower than the temperature indicated in the remote controller, it means the valve is not closed all the way. It is not necessary to exchange the linear expansion valve, if the leakage is small and not making any trouble. Thermistor (TH21) Linear expansion valve	If large amount of refrigeration is leaked, exchange the linear expansion valve.
Wrong connection of the connector or contact failure.	Check the color of lead wire and missing terminal of the connector.	Disconnect the connector at the controller board, then check the continuity.

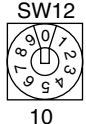

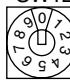
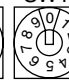
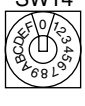



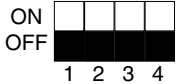

7-2. FUNCTION OF DIP-SWITCH

Switch	Pole	Function	Operation by switch		Remarks																							
			ON	OFF																								
SW1 Mode Selection	1	Thermistor<Intake temperature detection>position	Built-in remote controller	Indoor unit	<p><At delivery></p>																							
	2	Filter crogging detection	Provided	Not provided																								
	3	Filter life	2,500hr	100hr																								
	4	Air intake	Effective	Not effective																								
	5	Remote indication switching	Thermostat ON signal indication	Fan output indication																								
	6	Humidifier control	Always operated while the heat is ON	Operated depends on the condition																								
	7	Air flow st	Low	Extra low																								
	8	Heat thermostat OFF	Setting air flow	Reset to SW1-7																								
	9	Auto reset function	Effective	Not effective																								
	10	Power ON/OFF	Effective	Not effective																								
SW2 Capacity code setting	1~6	<table border="1"> <thead> <tr> <th>MODELS</th> <th>SW2</th> <th>MODELS</th> <th>SW2</th> <th>MODELS</th> <th>SW2</th> </tr> </thead> <tbody> <tr> <td>PLFY-P20VLMD-E</td> <td></td> <td>PLFY-P40VLMD-E</td> <td></td> <td>PLFY-P80VLMD-E</td> <td></td> </tr> <tr> <td>PLFY-P25VLMD-E</td> <td></td> <td>PLFY-P50VLMD-E</td> <td></td> <td>PLFY-P100VLMD-E</td> <td></td> </tr> <tr> <td>PLFY-P32VLMD-E</td> <td></td> <td>PLFY-P63VLMD-E</td> <td></td> <td>PLFY-P125VLMD-E</td> <td></td> </tr> </tbody> </table>	MODELS	SW2	MODELS	SW2	MODELS	SW2	PLFY-P20VLMD-E		PLFY-P40VLMD-E		PLFY-P80VLMD-E		PLFY-P25VLMD-E		PLFY-P50VLMD-E		PLFY-P100VLMD-E		PLFY-P32VLMD-E		PLFY-P63VLMD-E		PLFY-P125VLMD-E		Set while the unit is off. <At delivery> Set for each capacity.	
		MODELS	SW2	MODELS	SW2	MODELS	SW2																					
		PLFY-P20VLMD-E		PLFY-P40VLMD-E		PLFY-P80VLMD-E																						
PLFY-P25VLMD-E		PLFY-P50VLMD-E		PLFY-P100VLMD-E																								
PLFY-P32VLMD-E		PLFY-P63VLMD-E		PLFY-P125VLMD-E																								
SW3 Function Selection	1	Heat pump/Cooling only	Cooling only	Heat pump	<p>Set while the unit is off. <At delivery></p> <p>Model 20</p> <p>Model 32</p> <p>Model 25~100</p> <p>Model 125</p>																							
	2	—	—	—																								
	3	Vane	Available	Not available																								
	4	Vane swing function	Available	Not available																								
	5	—	—	—																								
	6	—	—	—																								
	7	—	—	—																								
	8	Heating 4K up	Not effective	Effective																								
	9	—	—	—																								
	10	—	—	—																								
SW4 Unit Selection	1	—	—	—	<p>Set while the unit is off. <At delivery></p> <p>Model 20~100 Model 125</p>																							
	2	—	—	—																								
	3	—	—	—																								
	4	—	—	—																								
SW8 Function Selection	1	Demand	Not effective	Effective	<p>Set while the unit is off. <At delivery></p> <p>Model 20~63 Model 80,100</p>																							
	2	—	—	—																								
	3	—	—	—																								

Note :The DipSW setting is effective during unit stopping (remote controller OFF) for SW1,2 and 3 commonly and the power souce is not required to reset.

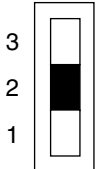
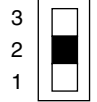
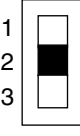




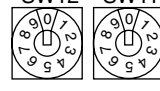
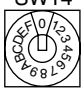
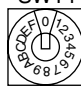
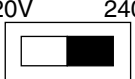
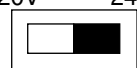


<model: 20~100>

Switch	Pole	Operation by switch	Remarks
SW11 1st digit address setting SW12 2nd digit address setting Note:1	Rotary switch	  <p>Address setting should be done when network remote controller (PAR-F25MA) is being used.</p>	<p>Address can be set while the unit is stopped.</p> <p><At delivery> SW12 SW11</p>  
SW14 Connect ion No. setting Note:1	Rotary switch	 <p>This is the switch to be used when the indoor unit is operated with R2 series outdoor unit as a set.</p>	<p><At delivery> SW14</p> 
SW5 Voltage Selection Note:1	2	<p>ON : 220, 230V OFF : 240V If the unit is used at the 220V or 230V area, set the switch as ON. If the unit is used at the 240V, set the switch as OFF.</p> 	<p><At delivery></p> 
SW7	1~4		<p>Set while the unit is off.</p> <p><At delivery></p> 

Note 1 : The DipSW setting is effective during unit stopping (remote controller OFF) for SW11,12,14 and 5.

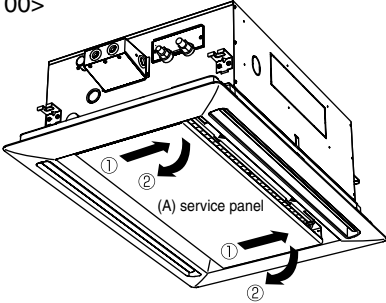
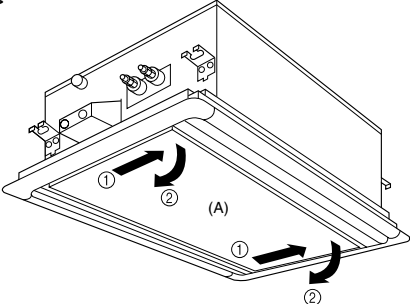
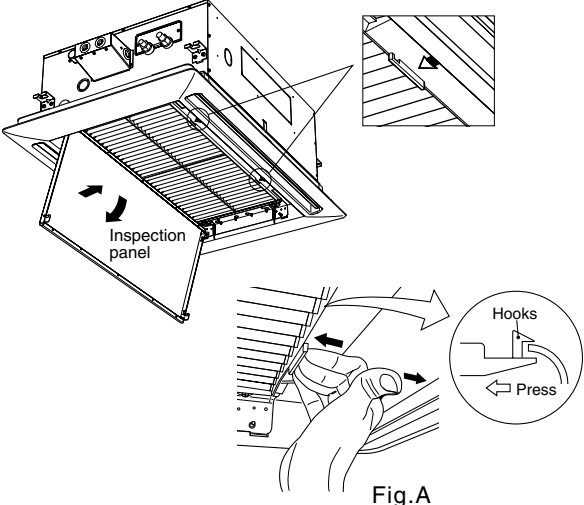
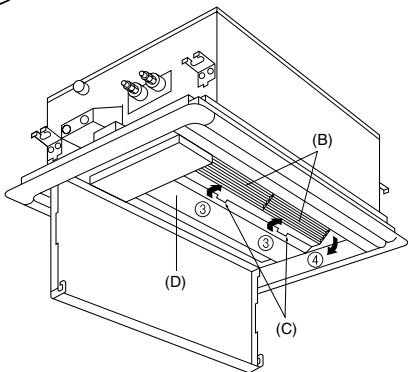
<model: 125>

Switch	Pole	Operation by switch	Remarks
SWA Option Note:1	1~3	 <p>* As this switch is used by interlocking with SWC, refer to the item of SWC for detail</p>	<div style="border: 1px solid black; padding: 2px; width: fit-content; margin-bottom: 10px;">Address board</div> <p><At delivery></p> 
SWC Option Note:1	2	 <p>“オプション” (Option)</p>  <p>“標準” (Standard)</p> <p>(SWA) SWC</p> <p>When attach the optional high performance filter elements (filter casement) to the unit, be sure to attach it to the option side in order to prevent the air-flow reducing.</p>	<div style="border: 1px solid black; padding: 2px; width: fit-content; margin-bottom: 10px;">Address board</div> <p><At delivery></p> <p>“オプション” (Option)</p>  <p>“標準” (Standard)</p>
SW11 1st digit address setting SW12 2nd digit address setting Note:2	Rotary switch	 <p>SW12 SW11</p>  <p>10 1</p> <p>Address setting should be done when network remote controller (PAR-F25MA) is being used.</p>	<div style="border: 1px solid black; padding: 2px; width: fit-content; margin-bottom: 10px;">Address board</div> <p>Address can be set while the unit is stopped.</p> <p><At delivery></p> 
SW14 Connect ion No. setting Note:2	Rotary switch	 <p>SW14</p> <p>This is the switch to be used when the indoor unit is operated with R2 series outdoor unit as a set.</p>	<div style="border: 1px solid black; padding: 2px; width: fit-content; margin-bottom: 10px;">Address board</div> <p><At delivery></p> 
SW5 Voltage Selection Note:2	2	 <p>220V 240V</p> <p>If the unit is used at the 230V or 240V area, set the voltage to 240V. If the unit is used at the 220V, set the voltage to 220V.</p>	<div style="border: 1px solid black; padding: 2px; width: fit-content; margin-bottom: 10px;">Address board</div> <p><At delivery></p>  <p>220V 240V</p>

Note 1:The DipSW setting is effective always after powering (remote controller ON) for SWA and SWC.
2:The DipSW setting is effective during unit stopping (remote controller OFF) for SW11,12,14 and 5.

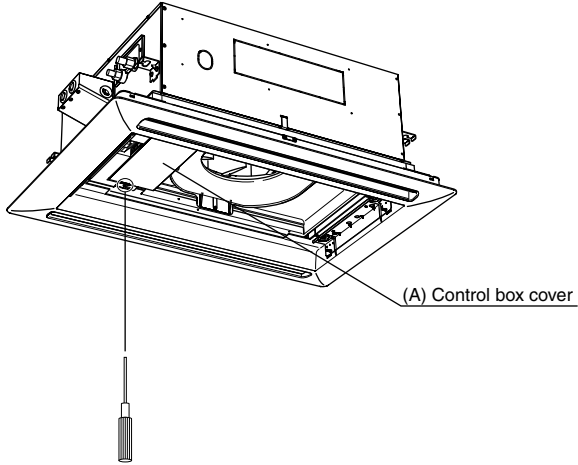

8-1.SERVICE PANEL and FILTER

Be careful removing heavy parts.

OPERATING PROCEDURE	PHOTOS&ILLUSTRATIONS
<p>1. Removing the service panel (A) (Fig.1-1)</p> <p>(1) Slide the service panel (A) in the direction of the arrow ① while lifting it. (depending on the local installation, the slide direction is reverse)</p> <p>(2) After sliding, if it is opened in direction ②, the service panel (A) drops down as shown in Fig.1-2.</p> <p>(3) Remove the service panel (A) from the two pins.</p> <p>(Be care-ful not to allow it to drop.)</p> <p>2. Removing the filter (Fig.1-2)</p> <p><Model 20~100></p> <p>(1) Place fingers on the projection near the PUSH mark on the filter, as shown in Fig. A. Remove panel frame with thumb, and press projections with other fingers to remove the hooks.</p> <p><Model 125></p> <p>(1) Move the fixing claws (C) of the filter (B) in the direction of the arrow ③.</p> <p>(Pull them while lifting them up.)</p> <p>(2) After removing the fixing claws (C) of the filter (B) from the filter support plate (D), pull out the filter (B) in the direction of the arrow ④.</p>	<p>(Fig.1-1)</p> <p><Model 20~100></p>  <p><Model 125></p>  <p>(Fig.1-2)</p> <p><Model 20~100></p>  <p>Fig.A</p> <p><Model 125></p> 

Be careful removing heavy parts.

8-2.CONTROL BOX

OPERATING PROCEDURE	PHOTOS&ILLUSTRATIONS
<p><Model 20~100></p> <p>1. Remove the service panel and filter with the procedure explained in section 8-1.</p> <p>2. Removing the control box cover (Fig.2-1).</p> <ul style="list-style-type: none">• Remove the fixing screws (one) of the control box cover (A), and remove the cover. <p>* At this stage, the following servicing is possible.</p> <p>① Operation and check of the switches (listed below) which are on the address board.</p> <ul style="list-style-type: none">• Rotary switches SW11, 12 Address setting• Rotary switch SW14 Branch port setting• Dip switch SW1 Function change 1• Dip switch SW2 Capacity setting• Dip switch SW3 Function change 2• Dip switch SW4 Model setting• Dip switch SW5 Option setting• Dip switch SW6 Model change• Dip switch SW7 Function change 3 <p>② Connection check and local connection of lead wires (listed below) which are connected to the control box (B).</p> <ul style="list-style-type: none">• Power supply lead wire (Connected at the factory)• Drain pump lead wire (Connected at the factory)• LEV lead wire (Connected at the factory)• Panel vane motor lead wire (Connected locally)• Panel limit switch lead wire (Connected locally)• Drain pump trial operation connector (Connected locally)• M-NET transmission lead wire (Connected at the factory)• MA remote controller transmission wire (Connected at the factory)• Fan motor lead wire (Connected at the factory)• Intake air sensor lead wire (Connected at the factory)• Fluid piping sensor lead wire (Connected at the factory)• Gas piping sensor lead wire (Connected at the factory)• Humidifier lead wire• Auxiliary electric heater lead wire <p>③ Control board exchange</p> <p>④ Condenser exchange</p> <p>⑤ Power supply transformer exchange</p> <p>⑥ Intake air sensor exchange</p> <p>Note: The control PCB, capacitor and power transformer could fall off when removed.</p>	<p>(Fig.2-1)</p>  <p>(A) Control box cover</p> <p>(Photo.2-1)</p>  <p>(B)</p>

Be careful removing heavy parts.

OPERATING PROCEDURE

<Model 125>

1. Remove the service panel and filter with the procedure explained in section 8-1.

2. Removing the connector cover (A).

- Remove the fixing screws (two) of the connector cover (A), and remove the cover. (Fig.2-2)
- * At this stage, the following servicing is possible. (It is even possible with the filter attached.)

- ① Operation and check of the switches (listed below) which are on the address board (B).
 - Rotary switches SW11, 12 Address setting
 - Rotary switch SW14 Branch port setting
 - Dip switch SW1 Function change (main)
 - Slide switches SWA, C Airflow rate change
- ② Connection check and local connection of lead wires (listed below) which are connected to the control box (C).
 - Power supply lead wire (Connected at the factory)
 - Drain pump lead wire (Connected at the factory)
 - LEV lead wire (Connected at the factory)
 - Panel vane motor lead wire (Connected locally)
 - Panel limit switch lead wire (Connected locally)
 - Drain pump trial operation connector (Connected locally)

3. Removing the control box (C)

(1) Remove the fixing screws (three) of the filter fixed plate (D). (Fig.2-3)

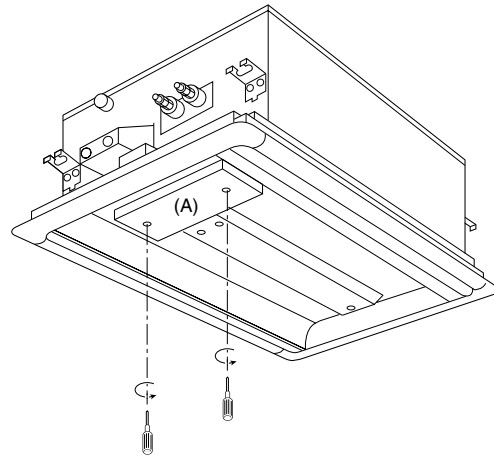
(2) Also remove the fixing screws (three) of the control box cover (F) and remove it. (Fig.2-4)

* At this stage, the following servicing is possible.

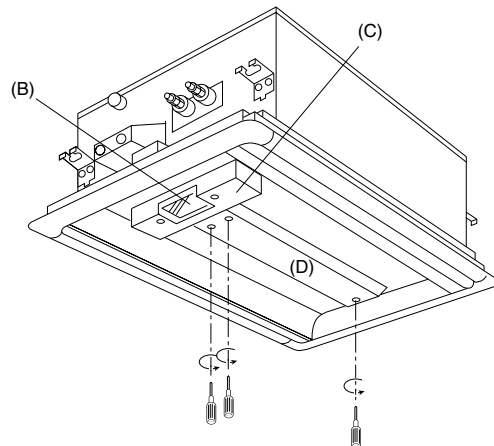
- ① Operation and check of the switches (listed below) which are on the control board.
 - Dip switch SW2 Capacity code setting
 - Dip switch SW3 Function change (auxiliary)
 - Dip switch SW4 Model code setting
 And the address board exchange.
- ② Connection check of the lead wires (listed below) which are connected to the control box
 - Power supply lead wire
 - Remote control communication lead wire
 - Fan motor lead wire
 - LEV lead wire
 - Drain pump lead wire
 - Drain sensor lead wire
 - Intake air sensor lead wire
 - Liquid piping sensor lead wire
 - Gas piping sensor lead wire
 - Power supply transformer lead wire
 - Address board lead wire
 - Panel vane motor lead wire
 - Panel limit switch lead wire

PHOTOS&ILLUSTRATIONS

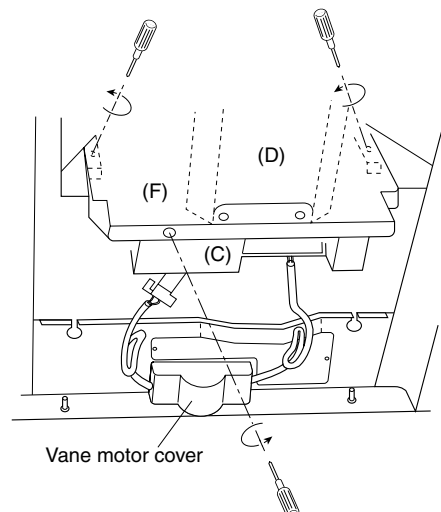
(Fig.2-2)



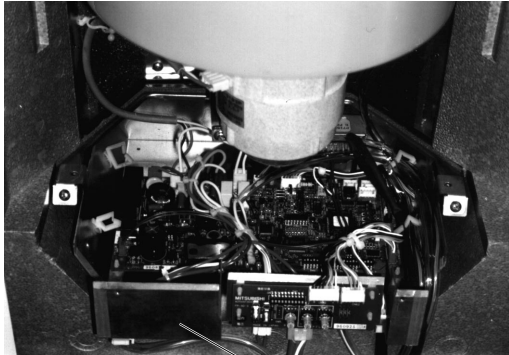
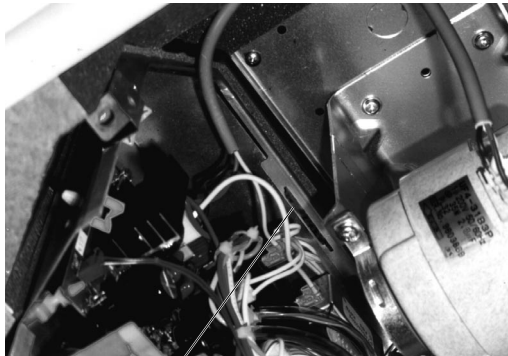
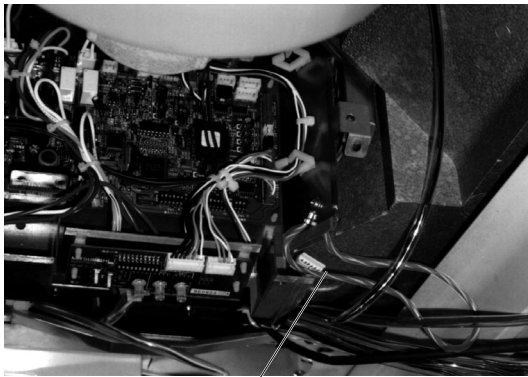
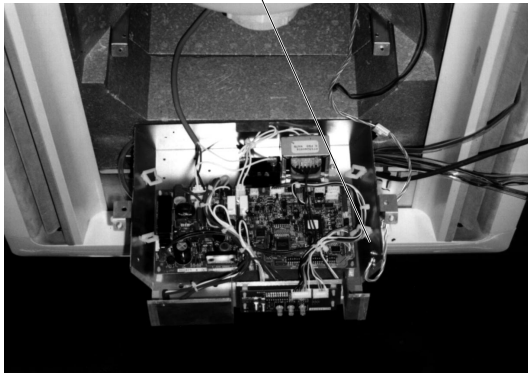
(Fig.2-3)



(Fig.2-4)

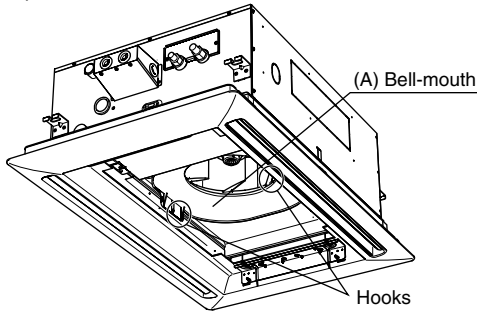

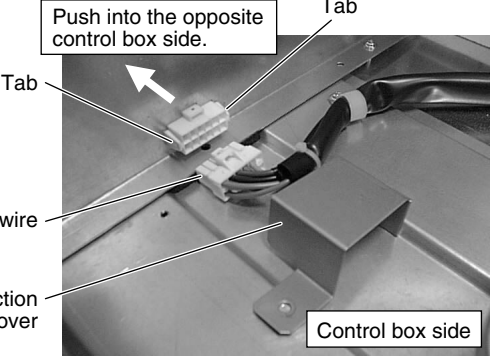



Be careful removing heavy parts.

OPERATING PROCEDURE	PHOTOS&ILLUSTRATIONS
<p>3. Removing the control box (C)</p> <p>(3) If the control box (C) fixing screws (two) are removed, the control box (C) is left hanging from the main unit by the falling prevention claws. If the control box (C) is lifted the claws are released and the control box (C) can be lowered down. Also, in order to completely lower the control box (C), it is necessary to remove the following lead wire connectors.</p> <p>Control box</p> <ul style="list-style-type: none">• Power supply lead wire connector (3P : White)• Drain pump lead wire connector (3P : White)• LEV lead wire connector (6P : White)• Panel vane motor lead wire connector (4P : White)• Panel limit switch lead wire connector (2 : Green) <p>Control Board</p> <ul style="list-style-type: none">• Remote control communication lead wire connector (2P : Blue)• Drain sensor lead wire connector (5P : Red)• Intake air sensor lead wire connector (2P : Red)• Liquid piping sensor lead wire connector (2P : White)• Gas piping sensor lead wire connector (2P : Black)• Fan motor lead wire connector motor side connector (Black) <p>(4) Remove the control box earth wire (green/yellow) from the control box (C), and remove the control box (C).</p> <p>* At this stage, the following servicing is possible.</p> <ol style="list-style-type: none">① Control board exchange② Condenser exchange③ Power supply transformer exchange	<p>(Photo.2-2)</p>  <p>(Photo.2-3)</p>  <p>(Photo.2-4) Falling prevention claw</p>  <p>Earth wire (green/yellow)</p>  <p>(Photo.2-5)</p>

8-3.Fan and fan motor

Be careful removing heavy parts.

OPERATING PROCEDURE	PHOTOS&ILLUSTRATIONS
<p><Model 20~100></p> <ol style="list-style-type: none"> 1. Remove the service panel and filter with the procedure explained in section 8-1. 2. Remove the two screws fixing the bell-mouth (A), and remove the bell-mouth A. (Fig. 3-1) 3. Remove the turbo fan mounting screw (one M8 nut), and pull the turbo fan off the fan motor shaft. (Photograph 3-1) <p>Note: The turbo fan will come off the motor shaft when the mounting screw is removed, so take care not to let turbo fan fall off when removing it.</p> <ol style="list-style-type: none"> 4. Remove the lead wire retainer. (Two screws) (Photograph 3-3) 5. Disconnect the motor lead wire connector in the control box. <p><In the case of model 80,100></p> <ul style="list-style-type: none"> • Motor on the control box side Remove the connector cover, and remove the motor lead wire connector. • Motor on the opposite control box side (Photograph 3-1) <ol style="list-style-type: none"> (1) Remove the protection cover on the control box side. (2) Remove the lead wire, pick the tab of the connector, and push it into the motor side. 6. Remove the mounting nuts (four M5 nuts) fixing the motor fixing leg and main body, and remove the fan motor together with the leg. (Photograph 3-3) <p>Note: The fan motor will come off the main body when the mounting screw is removed. It could fall off, so when removing, securely hold the fan motor and remove the mounting screws.</p>	<p>(Fig.3-1)</p>  <p>(Photo.3-1)</p>  <p>(Photo.3-2)</p>  <p>(Photo.3-3)</p> 

Be careful removing heavy parts.

OPERATING PROCEDURE

<Model 125>

1. Remove the service panel and filter with the procedure explained in section 8-1.

2. Removing the filter fixed plate (A)

Remove the fixing screws (three) of the filter fixed plate (A) and remove it. (Fig.1)

3. Removing the under-fan-casing (C)

Push the fixing claws of the under-fan-casing (C) and remove it.

4. Removing the fan motor (D)

Remove the lead wire connectors which are connected to the fan motor (D), and remove the motor fixtures (E) (two for each motor. Each motor is screwed down in two.)

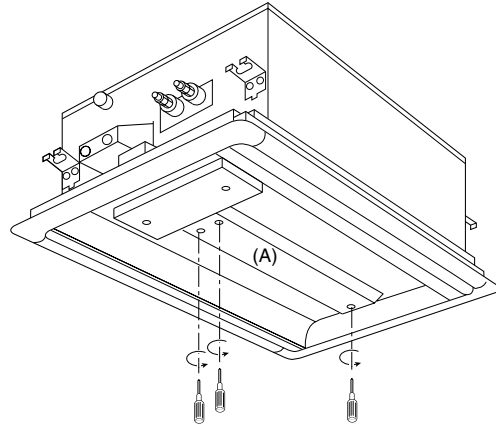
Note: There are no falling prevention measures for the fan motor. In order to prevent the fan motor from falling when it is removed, the work is to be performed by two people. (It is dangerous to do this alone.)

5. Removing the sirocco fan (F)

Remove the fan motor shaft fixing screw (one for each fan), and remove the sirocco fan (F).

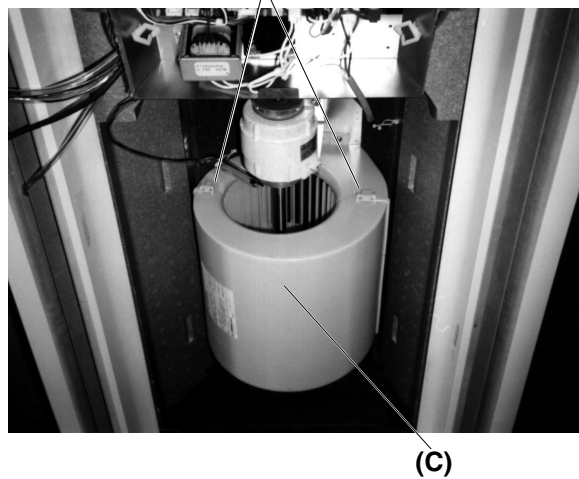
PHOTOS&ILLUSTRATIONS

(Fig.3-2)

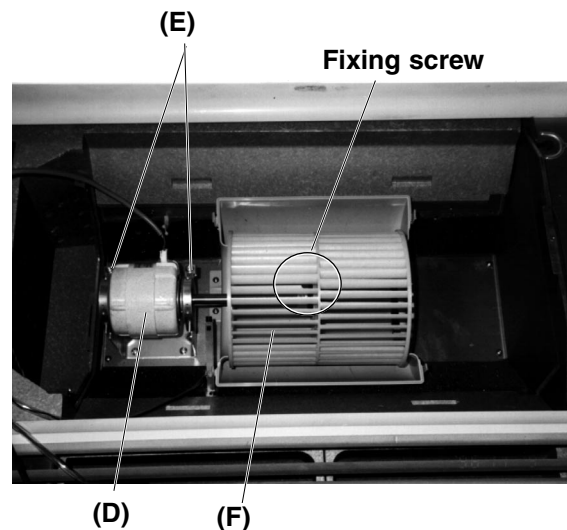


(Photo.3-3)

Fixing claws (Four for each casing)

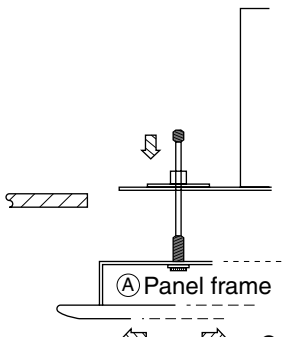

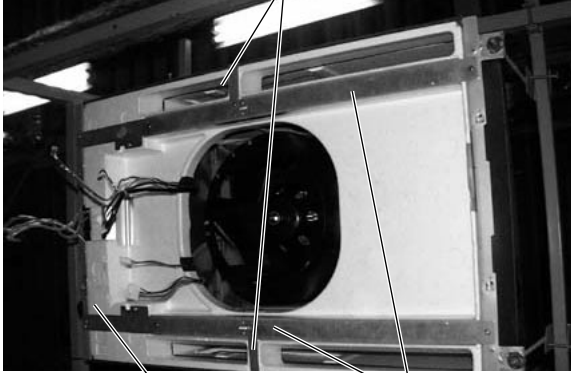
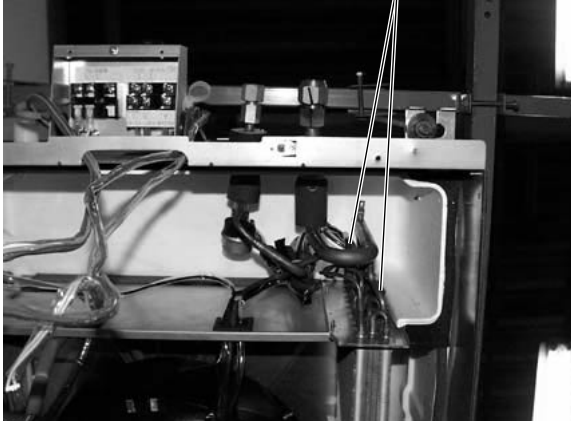


(Photo.3-4)

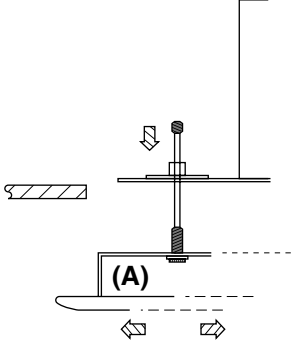
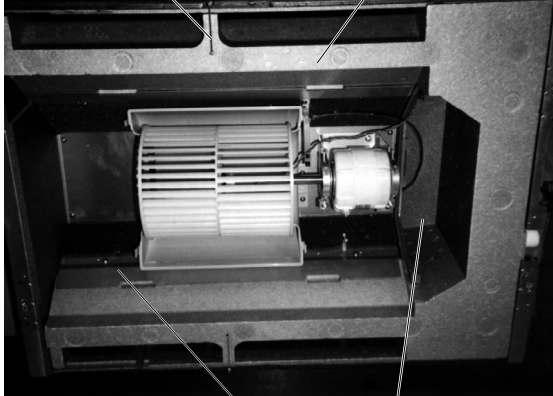
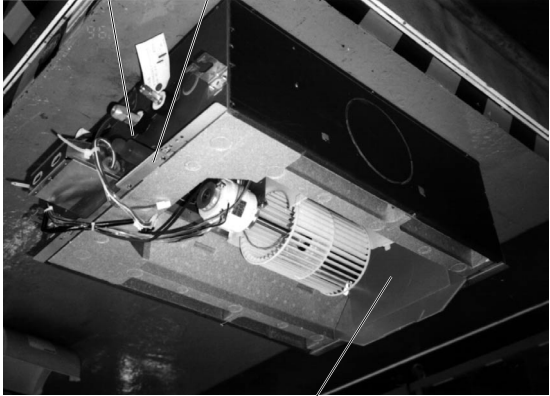


8-4. Thermistor <fluid piping temperature detection, gas piping temperature detection>

Be careful removing heavy parts.

OPERATING PROCEDURE	PHOTOS&ILLUSTRATIONS
<p><Model 20~100></p> <ol style="list-style-type: none"> 1. Remove the service panel and filter with the procedure explained in section 8-1. 2. Remove the decorative panel frame. <ol style="list-style-type: none"> (1) Loosen the four stepped screws fixing the panel, and suspend the panel frame. (Fig. 4-1) (2) When the panel frame is pressed (or pulled) in the longitudinal direction, the stepped screws will come out of the key holes provided on the panel frame, and the panel frame will come off. 3. Remove the bell-mouth with the procedure explained in section 8-3 . 4. Remove the control box. <ol style="list-style-type: none"> (1) Remove the control box cover with the procedure explained in section 8-2. (2) Disconnect the following lead wire connectors from the control box. (Photograph 4-1) <ul style="list-style-type: none"> • Power supply lead wire (CND, 5P: red) • Drain pump lead wire (CNP, 3P: blue) • Drain sensor lead wire (CN31, 3P: white) • LEV lead wire (CN60, 6P: white) • Vane motor lead wire for panel (CN7V, 7P: white) • M-NET transmission lead wire (CN2M, 2P: blue) • MA remote controller transmission lead wire (CN3A, 3P: blue) • Fan motor lead wire (CN90, 9P: blue) • Fluid piping temperature sensor lead wire (CN21, 2P: white) • Gas piping temperature sensor lead wire (CN29, 2P, black) (3) Loosen the two screw fixing the control box, and remove the control box. 5. Remove the drain pan. (Photograph 4-2) <ol style="list-style-type: none"> (1) Remove the two drain pan fixing plates B. (One screw/plate) (2) Remove the two drain pan fixing plates C. (Three screws/plate) (3) Remove the side frame reinforcement plate. (One screw) (4) Loosen the rubber plug on the drain pan's drainage socket, and drain out all water from the drain pan. <p>Note: Before removing the rubber plug, prepare a bucket, etc., so that the drainage will be caught. The desk or floor should be covered with a sheet, etc., so that water will not get on it inadvertently.</p> (5) Pull down the drain pan. <p>Note: Pull the drain pan out gradually by shifting the front and back to the left and right. The drain pan is made of styrofoam, so take care not to break it.</p> 6. Remove the thermistor from the thermistor holder on the copper piping (fluid piping ... thin piping, gas piping ... thick piping). (Photograph 4-3) <p>Note: Each thermistor has a notch on the tube to drain out any water condensed in the piping tube. That section comes to the very bottom. A trap is provided so that the water will drip into the drain pan. Thus, when replacing the thermistor, always set the trap at the original position.</p> 	<p>(Fig.4-1)</p>  <p>(Photo.4-1)</p>  <p>(Photo.4-2)</p>  <p>(Photo.4.3)</p> 

Be careful removing heavy parts.

OPERATING PROCEDURE	PHOTOS&ILLUSTRATIONS
<p><Model 125></p> <ol style="list-style-type: none">1. Remove the service panel and filter with the procedure explained in section 8-1.2. Remove the control box with the procedure explained in section 8-2.3. Removing the decorative panel frame (A)<ol style="list-style-type: none">(1) Loosen the panel fixing stepped screws (four), and the panel frame (A) is left hanging in midair. (Fig.4-2)(2) The panel frame (A) is pushed (or pulled) in the length direction, the stepped screws come out of the pear-shaped holes in the panel frame (A), and the panel frame (A) can be removed.4. Removing the drain pan (B)<ol style="list-style-type: none">(1) Remove the screws which are fixing the drain pan fixing plates (C) (two), and remove the plates.(2) Remove the drain pan falling prevention parts. (fixing pin (D), fixing plate (E) and filter fixing plate installation plate (F).)(3) Loosen the rubber plug (G) which is the drain socket of the drain pan (B), and drain the water which is still in.(4) Pull down the drain pan (B).<p>Note: Take it out by moving a little in all four directions. The drain pan is made from polystyrene. Handle it carefully so that it is not broken.</p>5. Removing the partition plate (H).<p>Note: Take it out by moving a little in all four directions. The partition plate is made from polystyrene. Handle it carefully so that it is not broken.</p>	<p>(Fig.4-2)</p>  <p>(Photo.4-4)</p>  <p>(Photo.4-5)</p> 

Be careful removing heavy parts.

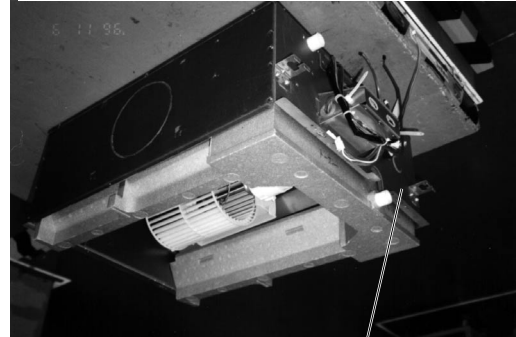
OPERATING PROCEDURE

6. Removing the thermistors

Remove the thermistors (K and L) from the thermistor holders (I and J) which are installed on the steel piping (liquid piping fine piping, gas piping thick piping).

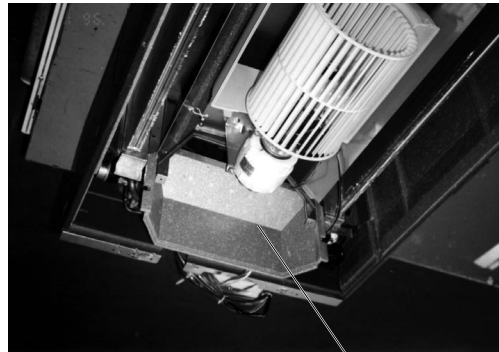
PHOTOS&ILLUSTRATIONS

(Photo.4-6)



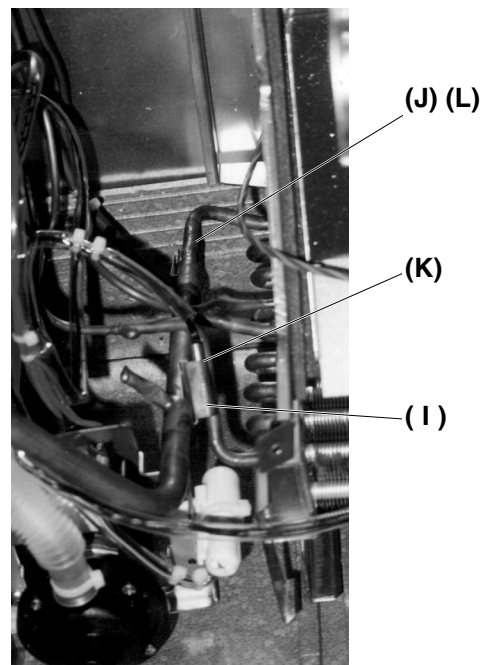
(B)

(Photo.4-7)



(H)

(Photo.4-8)



(J) (L)

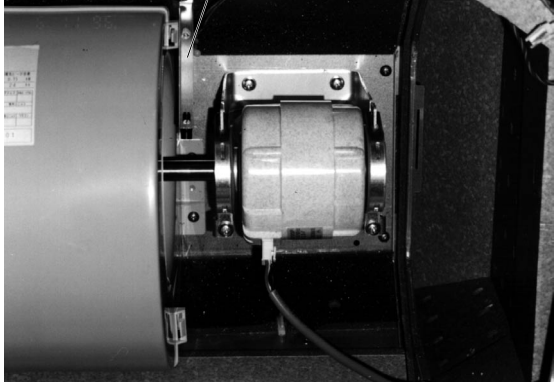
(K)

(I)



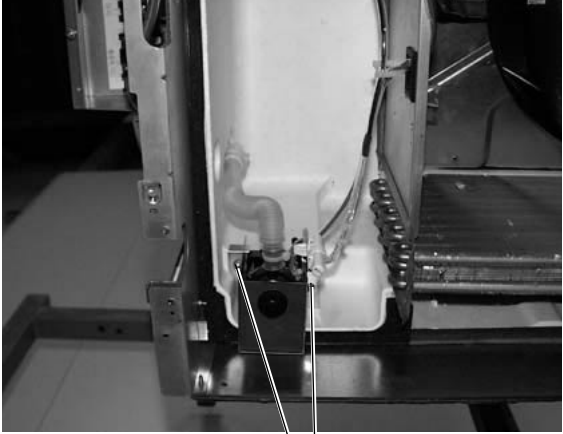
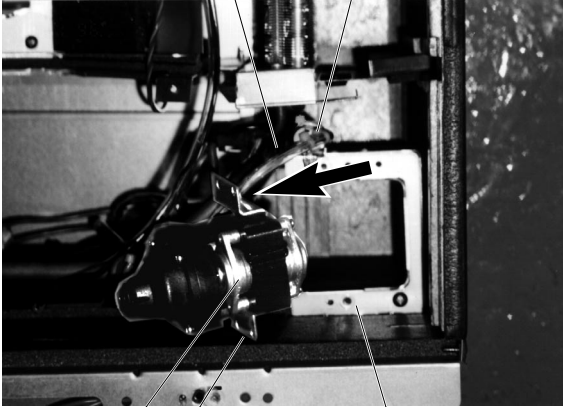
8-5.THERMISTOR (Intake air temperature detection)

Be careful removing heavy parts.

OPERATING PROCEDURE	PHOTOS&ILLUSTRATIONS
<p><Model 125></p> <ol style="list-style-type: none">1. Remove the service panel and filter with the procedure explained in section 8-1.2. Remove the control box cover with the procedure up to 3. (2) of 8-2.3. Removing the thermistor<ol style="list-style-type: none">(1) Remove the fixing screw (one) of the thermistor installation plate (A), and pull down the thermistor with installation plate.(2) Remove the thermistor lead wire which is connected to the control board.	<p>(Photo.5-1)</p> <p>(A)</p> 

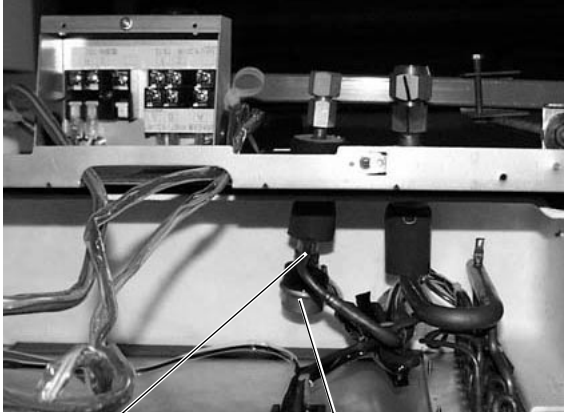
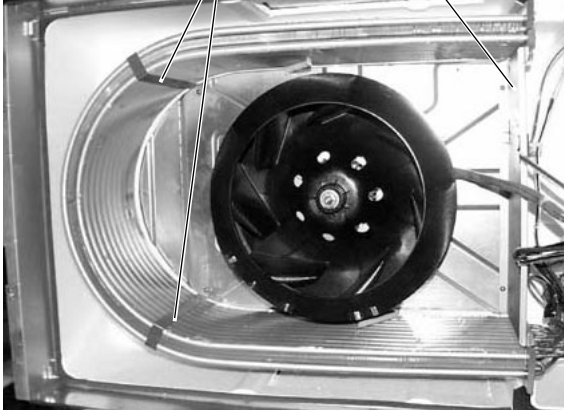
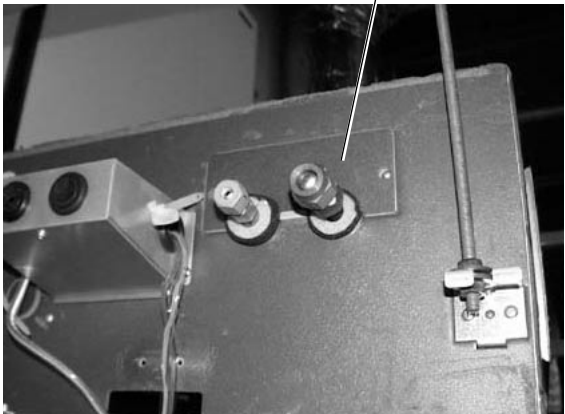
Be careful removing heavy parts.

8-6.DRAIN PUMP and DRAIN SENSOR

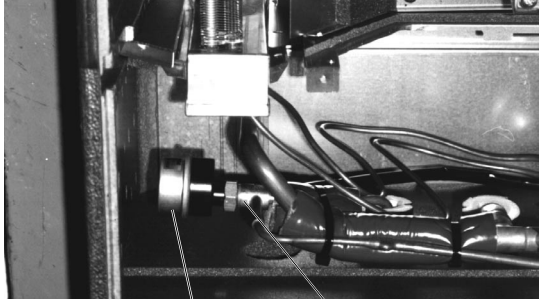
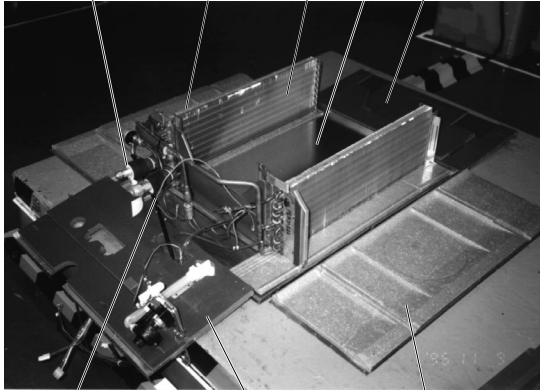

OPERATING PROCEDURE	PHOTOS&ILLUSTRATIONS
<p><Model 20~100></p> <ol style="list-style-type: none">1. Remove the service panel and filter with the procedure explained in section 8-1.2. Remove the decorative panel frame with the procedure explained in section 8-4.3. Remove the bell-mouth with the procedure explained in section 8-3.4. Remove the control box with the procedure explained in section 8-4.5. Remove the drain pan with the procedure explained in section 8-4.6. Remove the binding band on the drain hose connected to the drain pump.7. The drain pump and drain sensor, fixed to the cover, are fixed to the main unit. Remove the two fixing screws and remove. (Photograph 6-1)	<p>(Photo.6-1)</p>  <p>Fixing screw</p>
<p><Model 125></p> <ol style="list-style-type: none">1. Remove the service panel and filter with the procedure explained in section 8-1.2. Remove the control box with the procedure explained in section 8-2.3. Remove the decorative panel frame, drain pan and partition plate with the procedure up to 3.-5. of 8-4.4. Removing the drain pump(A)<ol style="list-style-type: none">(1) Cut the drain hose fixing binder (C), which hose is connected to the drain pump (A)(2) Remove the fixing screws (two) which fix the bracket (E) to the unit fixtures (D), and remove the drain pump (A) from the main unit. (Photograph 6-2)	<p>(Photo.6-2)</p>  <p>(A) (B) (C) (D) (E)</p>

Be careful removing heavy parts.

8-7.LEV and HEAT EXCHANGER

OPERATING PROCEDURE	PHOTOS&ILLUSTRATIONS
<p><Model 20~100></p> <ol style="list-style-type: none">1. Remove the service panel and filter with the procedure explained in section 8-1.2. Remove the decorative panel frame with the procedure explained in section 8-4.3. Remove the bell-mouth with the procedure explained in section 8-3.4. Remove the control box with the procedure explained in section 8-4.5. Remove the drain pan with the procedure explained in section 8-4.6. Remove the LEV drive motor with a double spanner. (Photograph 7-1)7. Remove the fluid piping connection flare, gas piping connection flare, and then lower the unit body to remove the heat exchanger. (Photographs 7-2, 7-3) <ol style="list-style-type: none">(1) Remove the two heat exchanger support plates A. (One screw/plate)(2) Remove the heat exchanger support plate B. (Two screws)(3) Remove the piping fixing plate C. (Two screws)(4) Slide the heat exchanger in the direction opposite the piping, and remove it. <p>Note 1: Cover the control box, motor, drain pump and LEV with cloth, etc., to protect them in case water should come in contact when washing the drain pan and heat exchanger.</p> <p>2: Do not drain the water used to clean the drain pan and heat exchanger with the rain pump. Drain it separately.</p>	<p>(Photo.7-1)</p>  <p>LEV Drive motor</p> <p>Heat exchanger support plate A</p> <p>(Photo.7-2)</p>  <p>Heat exchanger support plate B</p> <p>Piping fixing plate C</p> <p>(Photo.7-3)</p> 

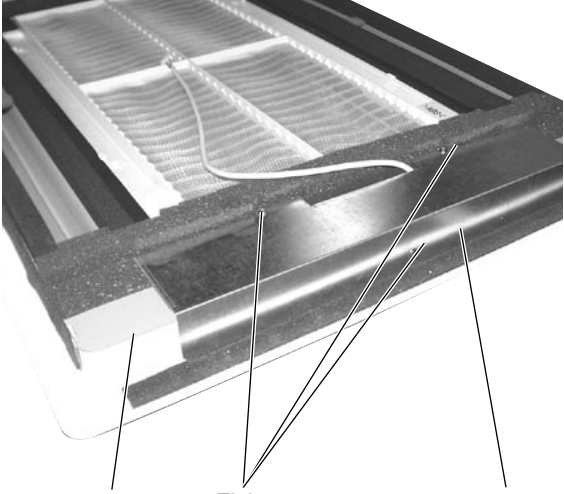
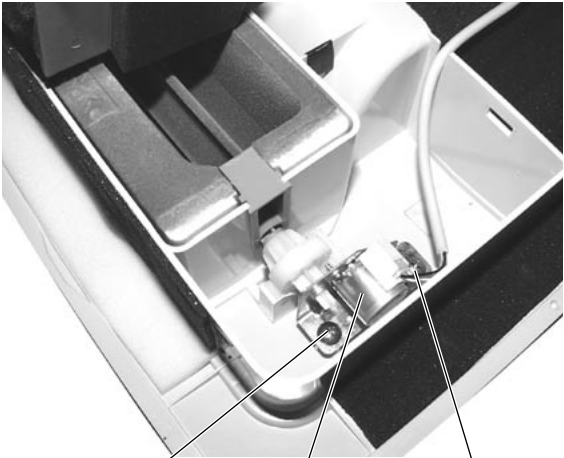
Be careful removing heavy parts.

OPERATING PROCEDURE	PHOTOS&ILLUSTRATIONS
<p><Model 125></p> <ol style="list-style-type: none">1. Remove the service panel and filter with the procedure explained in section 8-1.2. Remove the control box with the procedure explained in section 8-2.3. Remove the decorative panel frame, drain pan and partition plate with the procedure up to 3.-5.of 8-4.4. Removing the LEV driving motor (B) Remove the LEV driving motor (B) with a double spanner.5. Removing the heat exchanger (C) After removing the liquid piping connection flare (D) and gas piping connection flare (E), <u>lower the unit</u> and remove the heat exchanger (C). <ol style="list-style-type: none">(1) Remove the non-piping side frame (F). (Secured by seven screws.)(2) Remove the side frames (G and H). (secured by seven screws each.)(3) Remove the piping side frame (I) and the piping fixing plate (J). (The frame (I) is secured by three screws and the piping fixing plate (J) by two screws.)(4) Slide the heat exchanger (C) towards the non-piping side, and remove it from the ceiling (K) hanging holes.	<p>(Photo.7-4)</p>  <p>(B) (A)</p> <p>(Photo.7-5)</p>  <p>(D) (G) (K) (C) (F) (E) (I) (H)</p> <p>(Photo.7-6)</p>  <p>(J)</p>



Be careful removing heavy parts.

8-8.Vane motor

OPERATING PROCEDURE	PHOTOS&ILLUSTRATIONS
<p>1. Remove the metal cover. (Three screws) (Photograph 8-1)</p> <p>2. Remove the vane motor cover. The vane motor cover can be removed by pushing it up with fingers.</p> <p>3. Remove the two motor mounting screws. (Photograph 8-2)</p>	<p>(Photo.8-1)</p>  <p>Vane motor cover Fixing screw Metal cover</p> <p>(Photo.8-2)</p>  <p>Fixing screw Vane motor Fixing screw</p>



HEAD OFFICE: MITSUBISHI DENKI BLDG., 2-2-3, MARUNOUCHI, CHIYODA-KU, TOKYO 100-8310, JAPAN
